



US00D851859S

(12) **United States Design Patent** (10) **Patent No.:** **US D851,859 S**  
**Jackson et al.** (45) **Date of Patent:** **\*\* Jun. 25, 2019**

- (54) **BRA WITH BREAST MILK COLLECTION**
- (71) Applicants: **Davielle Jackson**, Lafayette, LA (US);  
**Kayla Irvin**, Goose Creek, SC (US)
- (72) Inventors: **Davielle Jackson**, Lafayette, LA (US);  
**Kayla Irvin**, Goose Creek, SC (US)
- (\*\*) Term: **15 Years**
- (21) Appl. No.: **29/628,184**
- (22) Filed: **Dec. 1, 2017**
- (51) **LOC (11) Cl.** ..... **02-01**
- (52) **U.S. Cl.**  
USPC ..... **D2/706**
- (58) **Field of Classification Search**  
USPC ..... D2/706–709, 701–703, 723; 450/36–38;  
604/74  
CPC A61M 1/062; A61M 1/06; A41C 1/06; A41C  
3/00; A41C 3/02  
See application file for complete search history.

8,192,247	B2	6/2012	Abbaszadeh	
D668,430	S *	10/2012	Martin	D2/708
8,414,353	B1	4/2013	Leavell	
8,801,495	B1	8/2014	Guindon	
D724,817	S *	3/2015	Randall	D2/708
D793,657	S *	8/2017	Yau	D2/706
2003/0191433	A1	10/2003	Prentiss	
2004/0242119	A1	12/2004	Francis	
2006/0106334	A1	5/2006	Jordan	
2006/0270973	A1	11/2006	Chu	
2008/0039781	A1	2/2008	Bjorge	
2008/0208116	A1	8/2008	Dao	
2008/0262420	A1	10/2008	Dao	
2010/0228208	A1	9/2010	Callanan	
2011/0314587	A1	12/2011	Ritchie	

(Continued)

*Primary Examiner* — Robin V Webster  
*Assistant Examiner* — J. Thorn, Sr.  
(74) *Attorney, Agent, or Firm* — Quickpatents, LLC;  
Kevin Prince

(57) **CLAIM**

We claim the ornamental design for a bra with breast milk collection, as shown and described.

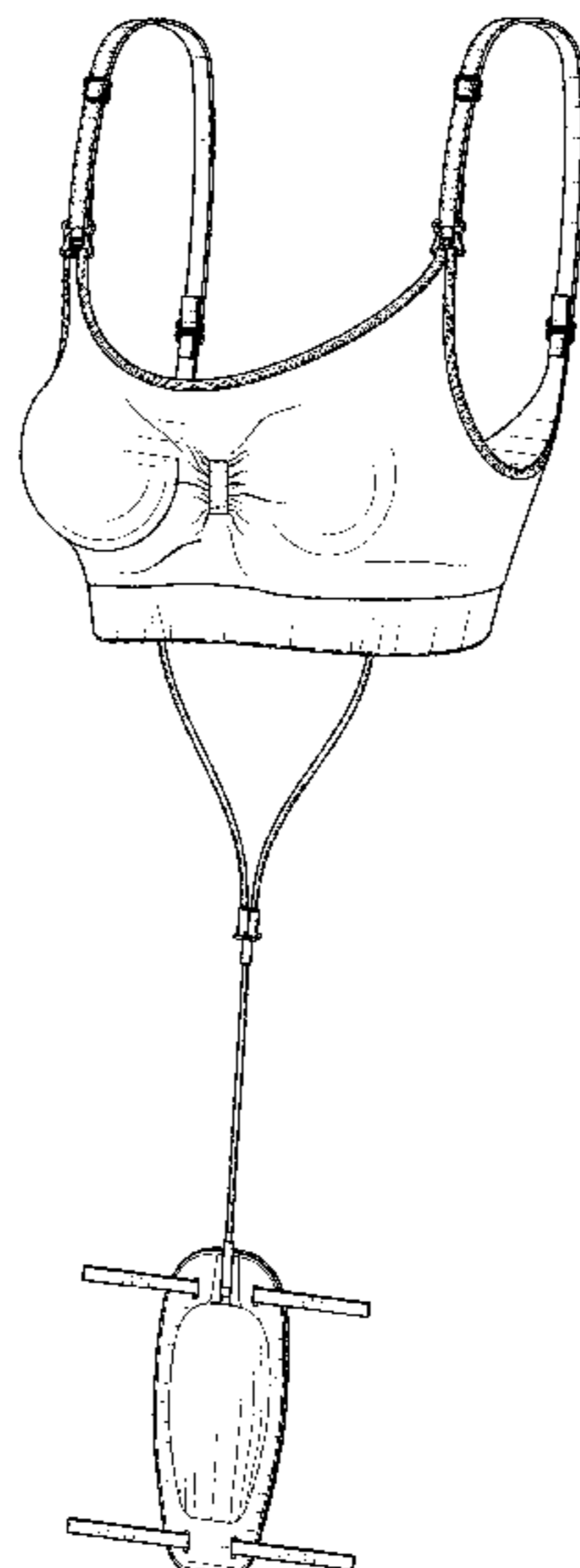
**DESCRIPTION**

FIG. 1 is a front perspective view of a bra with breast milk collection, showing our new design in a fastened configuration;  
FIG. 2 is a front elevational view thereof;  
FIG. 3 is a rear elevational view thereof;  
FIG. 4 is a left-side elevational view thereof;  
FIG. 5 is a right-side elevational view thereof;  
FIG. 6 is a top plan view thereof;  
FIG. 7 is a bottom plan view thereof; and,  
FIG. 8 is a rear perspective view thereof, illustrated in an unfastened configuration.  
The broken lines in the drawings depict stitching in the fabric.

**1 Claim, 6 Drawing Sheets**

(56) **References Cited**  
U.S. PATENT DOCUMENTS

D204,378	S *	4/1966	Hoelscher	450/86
5,514,166	A	5/1996	Silver	
5,575,768	A	11/1996	Lockridge	
6,004,186	A	12/1999	Penny	
6,213,840	B1	4/2001	Han	
6,227,936	B1	5/2001	Mendoza	
6,247,996	B1	6/2001	Fields	
6,379,327	B2	4/2002	Lundy	
6,440,100	B1	8/2002	Prentiss	
6,764,377	B2	7/2004	Gillan	
6,887,217	B1	5/2005	Logan	
7,094,217	B2	8/2006	Fialkoff	
7,223,255	B2	5/2007	Myers	
7,607,965	B1	10/2009	Frazier	
D625,487	S *	10/2010	Hendrickson	D2/706
D625,488	S *	10/2010	Messman	D2/706
8,137,153	B2	3/2012	Bell	



(56)

**References Cited**

U.S. PATENT DOCUMENTS

2012/0197187 A1 8/2012 LaFave  
2013/0023821 A1 1/2013 Khalil  
2013/0273809 A1\* 10/2013 Turk ..... A41C 3/0071  
450/36  
2014/0142501 A1 5/2014 Clark  
2014/0378946 A1 12/2014 Thompson  
2015/0065994 A1 3/2015 Fridman  
2015/0217036 A1 8/2015 Pollen  
2016/0067393 A1 3/2016 Barnes  
2016/0095967 A1 4/2016 Weston  
2018/0332905 A1\* 11/2018 Stephens ..... A41C 3/0064

\* cited by examiner

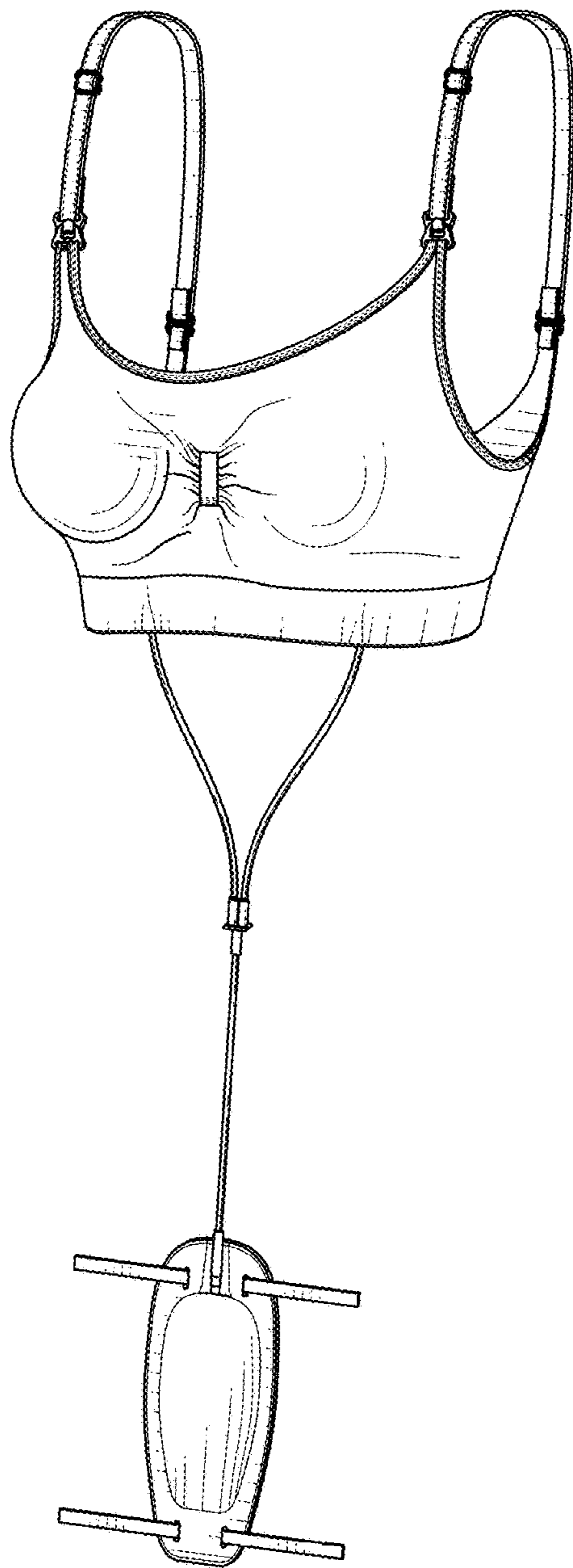


FIG. 1

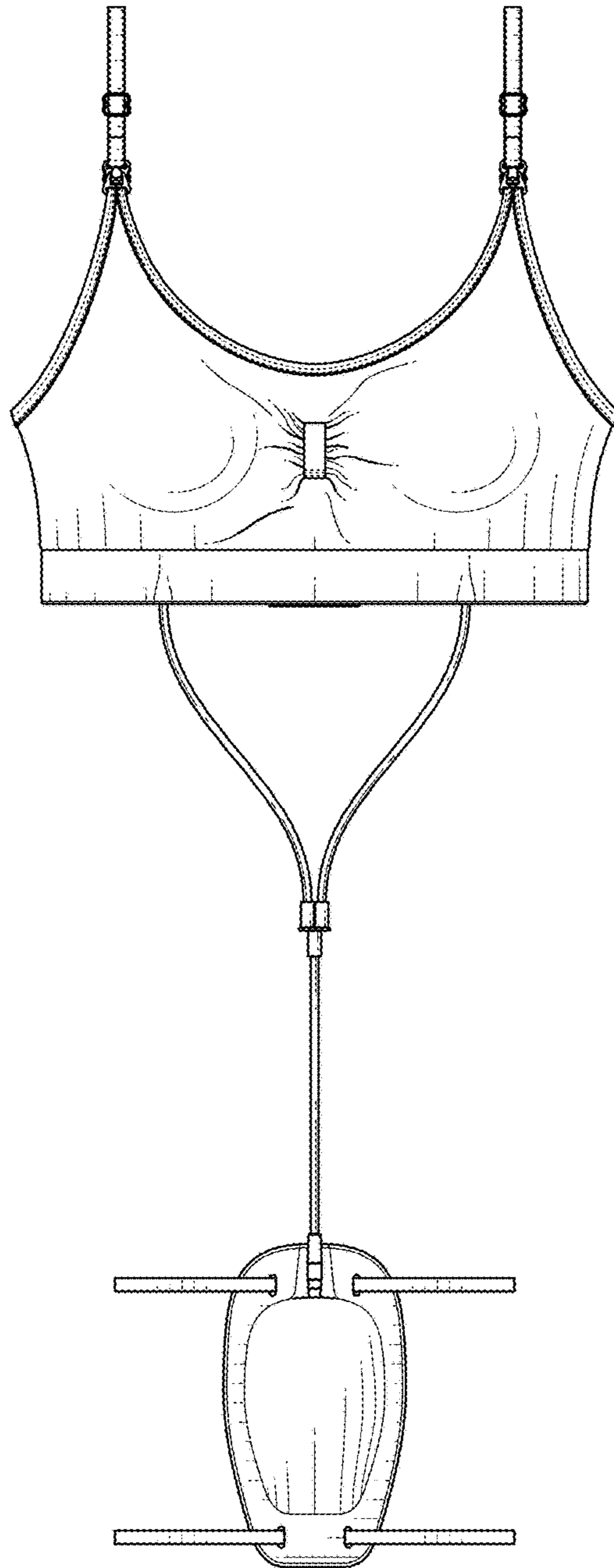


FIG. 2

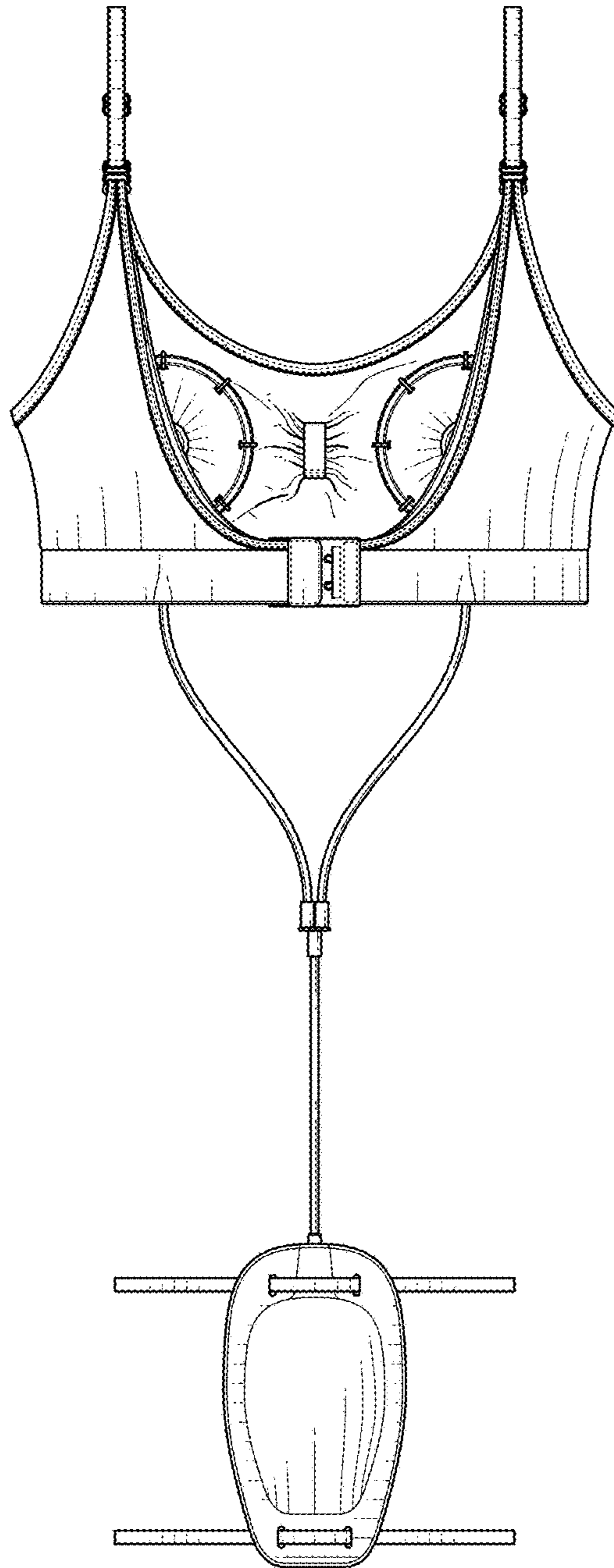


FIG. 3

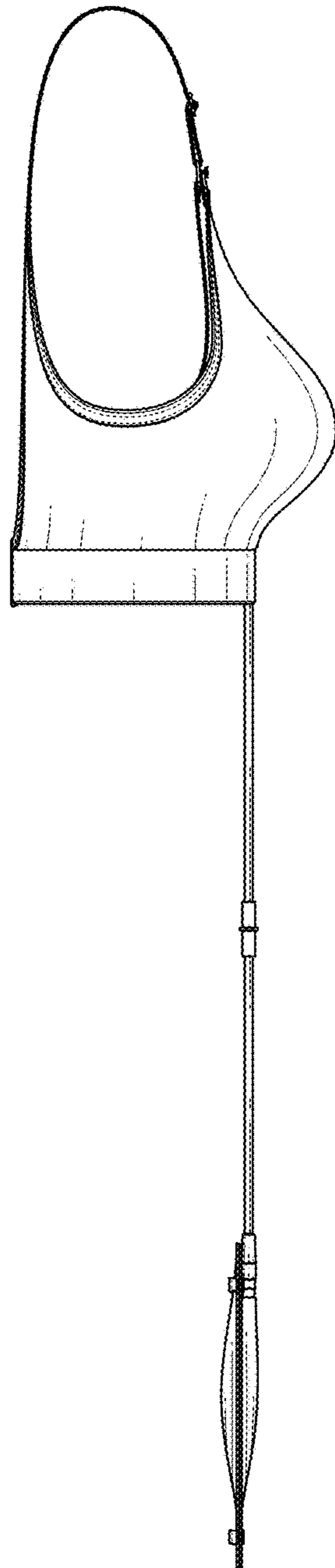


FIG. 4

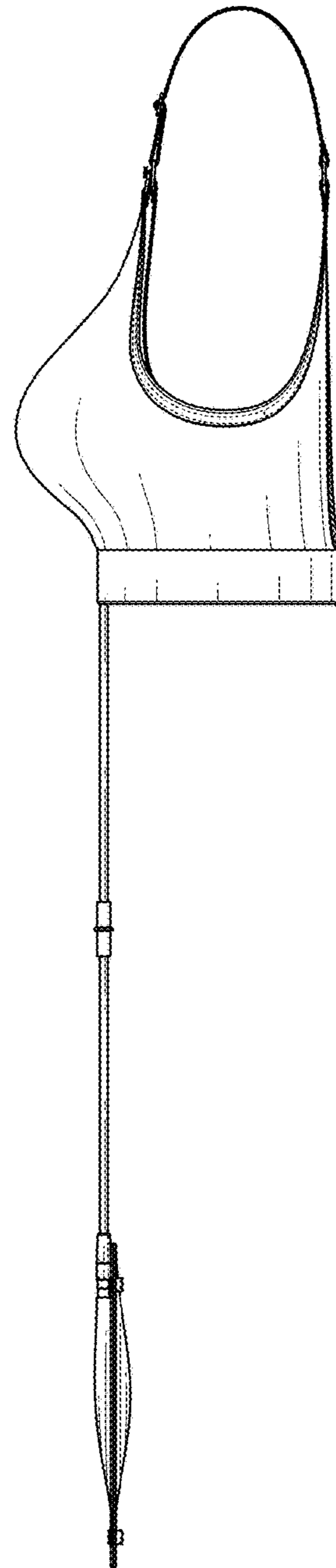


FIG. 5

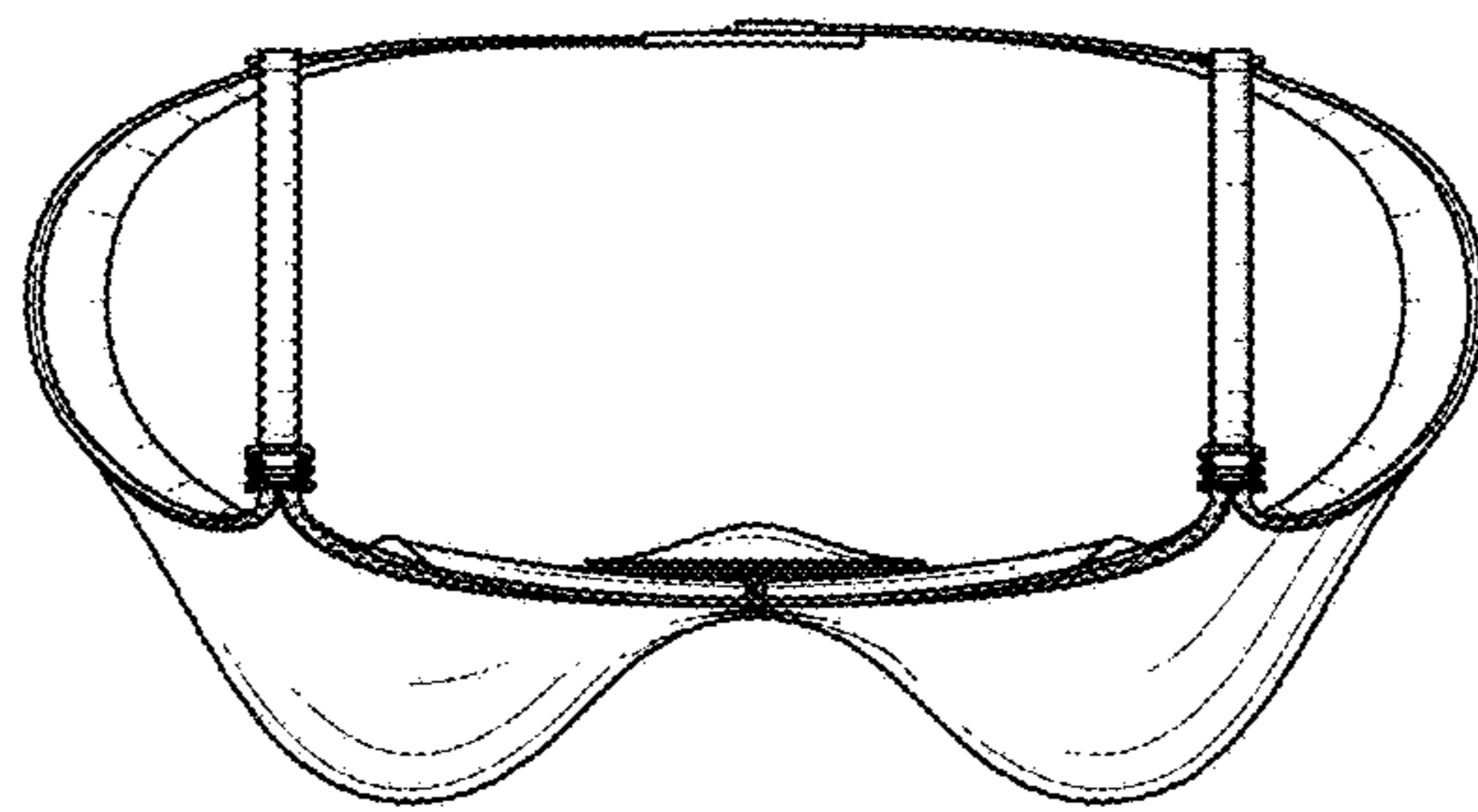


FIG. 6

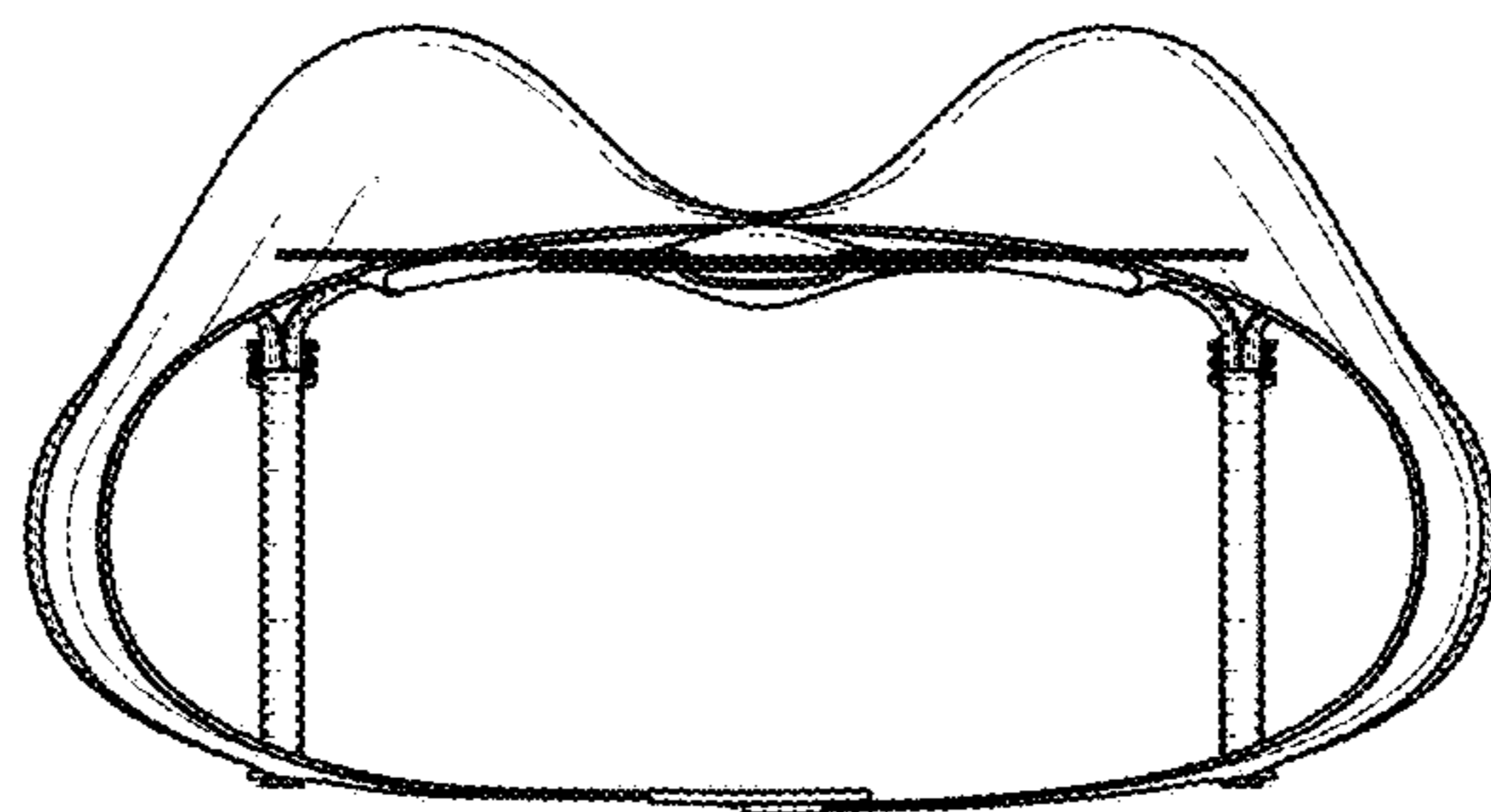


FIG. 7

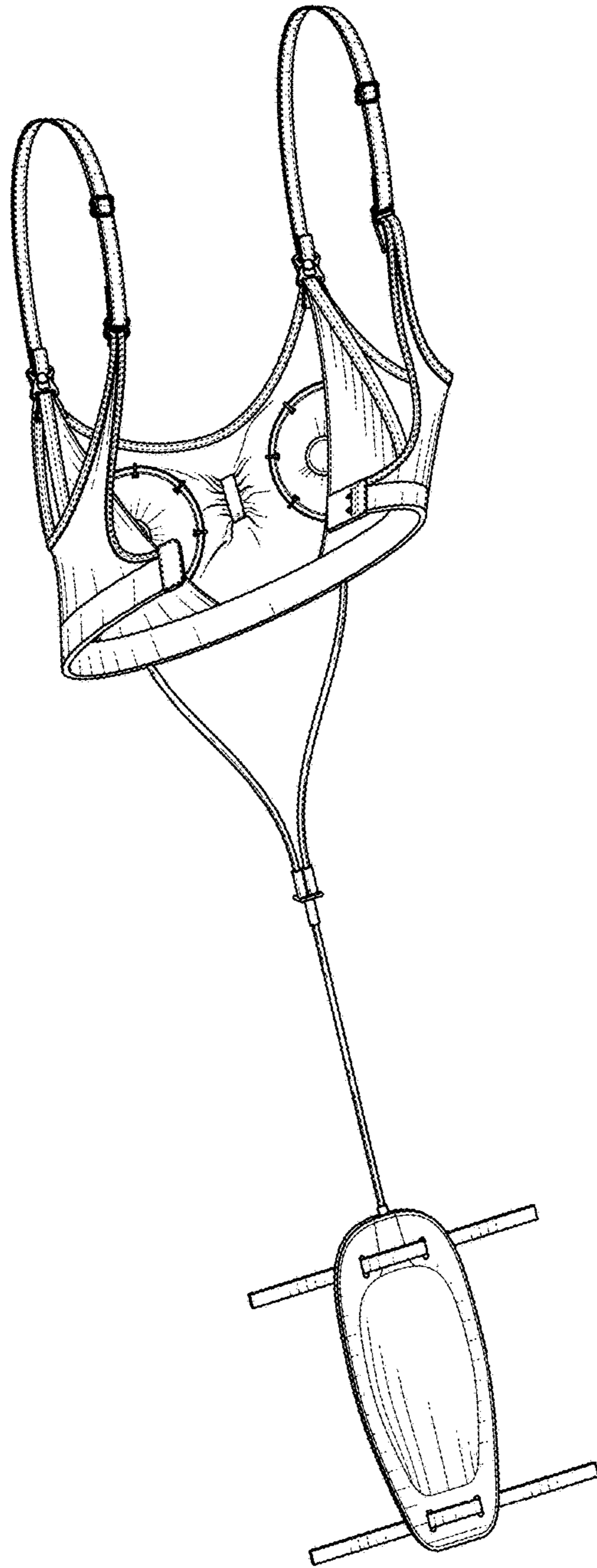


FIG. 8