



US00D851852S

(12) **United States Design Patent** (10) **Patent No.:** **US D851,852 S**
Hu (45) **Date of Patent:** **** Jun. 18, 2019**

(54) **MOBILE HEIGHT-ADJUSTABLE WORK STATION**

(71) Applicant: **Designa, Inc.**, Foshan (CN)

(72) Inventor: **Yajun Hu**, Foshan (CN)

(73) Assignee: **DESIGNA INC.**, Foshan (CN)

(**) Term: **15 Years**

(21) Appl. No.: **29/603,276**

(22) Filed: **May 8, 2017**

(51) **LOC (11) Cl.** **12-02**

(52) **U.S. Cl.**

USPC **D34/12; D6/655**

(58) **Field of Classification Search**

USPC D6/353, 368, 642, 655, 655.1, 656,
D6/656.1, 656.11, 656.12, 656.13, 656.14,

(Continued)

(56) **References Cited**

U.S. PATENT DOCUMENTS

D124,960 S 2/1941 Bell et al.
D183,621 S * 9/1958 Levin 126/25 R
(Continued)

FOREIGN PATENT DOCUMENTS

AU 2014216002 A1 3/2015
AU 2013245512 A1 5/2015
(Continued)

OTHER PUBLICATIONS

Winsome Wood Bar Cart, posted at Amazon.com, posted on Mar. 31, 2010, site visited Aug. 28, 2018. online, available from internet: <https://www.amazon.com/Winsome-Wood-Cart-Espresso-Finish/product-reviews/B000GLPQS4>.*

(Continued)

Primary Examiner — Mary Ann Calabrese
Assistant Examiner — Catherine Ho
(74) *Attorney, Agent, or Firm* — Alston & Bird LLP

(57) **CLAIM**

I claim the ornamental design for a mobile height-adjustable work station, as shown and described.

DESCRIPTION

FIG. 1 is a perspective view of a first embodiment of a mobile height-adjustable work station showing my new design;

FIG. 2 is a front elevation view thereof;

FIG. 3 is a rear elevation view thereof;

FIG. 4 is a left side elevation view thereof;

FIG. 5 is a right side elevation view thereof;

FIG. 6 is a top plan view thereof;

FIG. 7 is a bottom plan view thereof;

FIG. 8 is a perspective view of the first embodiment of a mobile height-adjustable work station shown in an extended position;

FIG. 9 is a front elevation view thereof;

FIG. 10 is a rear elevation view thereof;

FIG. 11 is a left side elevation view thereof;

FIG. 12 is a right side elevation view thereof;

FIG. 13 is a top plan view thereof;

FIG. 14 is a bottom plan view thereof;

FIG. 15 is a perspective view of a second embodiment of a mobile height-adjustable work station;

FIG. 16 is a front elevation view thereof;

FIG. 17 is a rear elevation view thereof;

FIG. 18 is a left side elevation view thereof;

FIG. 19 is a right side elevation view thereof;

FIG. 20 is a top plan view thereof;

FIG. 21 is a bottom plan view thereof;

FIG. 22 is a perspective view of the second embodiment of a mobile height-adjustable work station shown in an extended position;

FIG. 23 is a front elevation view thereof;

FIG. 24 is a rear elevation view thereof;

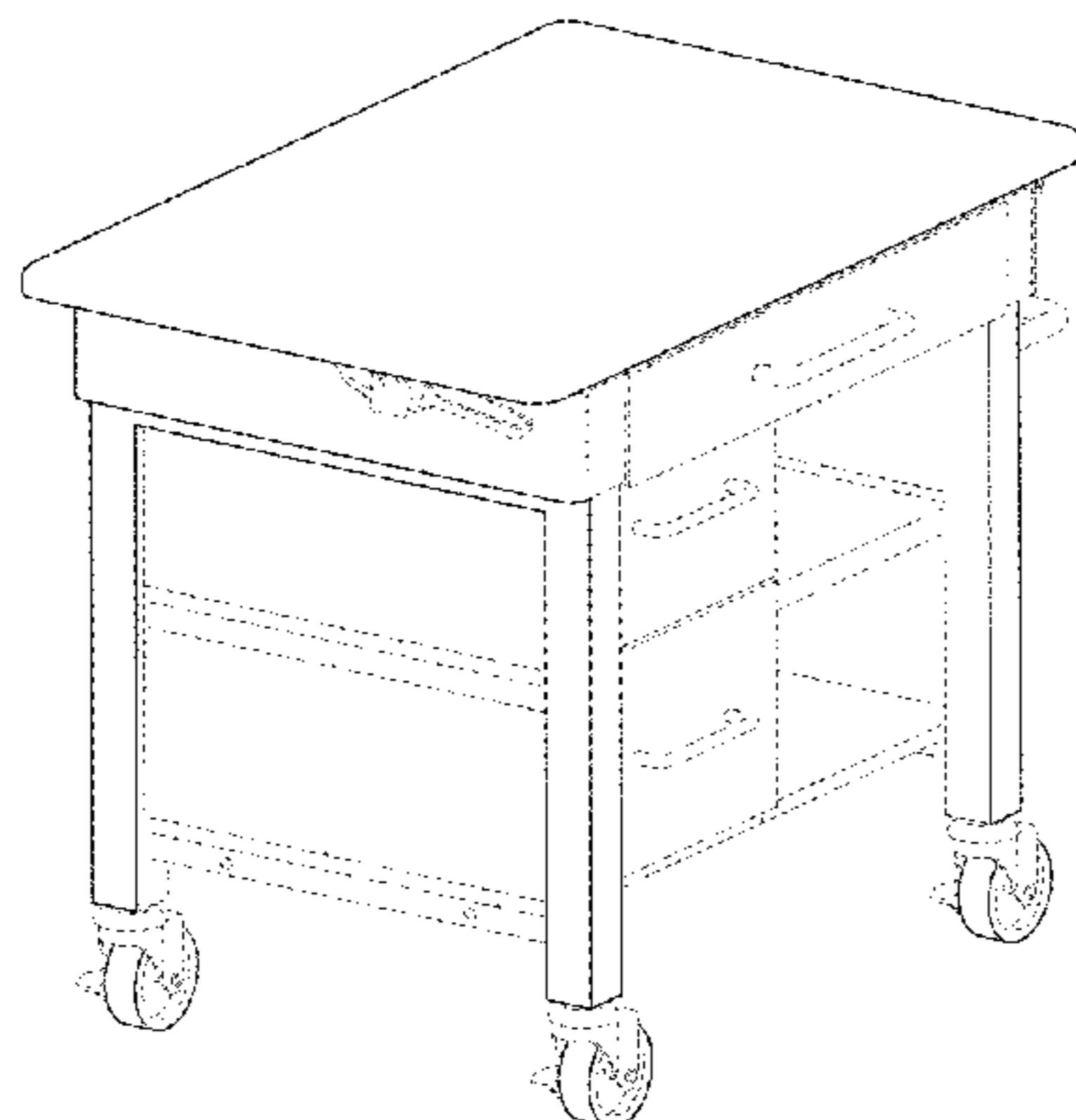
FIG. 25 is a left side elevation view thereof;

FIG. 26 is a right side elevation view thereof;

FIG. 27 is a top plan view thereof; and,

FIG. 28 is a bottom plan view thereof.

(Continued)



The broken lines of the figure drawings are included to show portions of the mobile height-adjustable work station that form no part of the claimed design.

1 Claim, 28 Drawing Sheets

(58) Field of Classification Search

USPC D6/656.15, 656.16, 656.17, 656.18,
D6/656.19, 663, 686, 687, 691, 691.1,
D6/691.9; D13/19; D21/524;
D34/12-14, 17, 21
CPC A47B 1/00; A47B 7/00; A47B 9/00; A47B
9/10; A47B 9/16; A47B 2009/006; A47B
11/00; A47B 13/00; A47B 13/081; A47B
21/0073; A47B 21/02; A47B 21/03; A47B
2200/005; A47B 2200/0064
See application file for complete search history.

(56) References Cited

U.S. PATENT DOCUMENTS

4,786,122	A *	11/1988	Nichoalds	A47B 47/05 312/249.8
D325,800	S *	4/1992	Kelley	D34/19
D341,010	S *	11/1993	Johnson	D34/14
D355,516	S	2/1995	Grady et al.	
D363,590	S *	10/1995	Kazmerchek	D34/17
5,649,493	A	7/1997	Blume	
D391,031	S *	2/1998	Egan	D34/19
D410,127	S	5/1999	Colomban	
D470,687	S	2/2003	Binse et al.	
D549,001	S	8/2007	Brandon	
D579,231	S	10/2008	Cheng	
D591,021	S *	4/2009	Peacock	D34/17
8,671,853	B2	3/2014	Flaherty	
8,800,454	B2	8/2014	Jones	
9,049,923	B1	6/2015	Delagey et al.	
9,055,810	B2	6/2015	Flaherty	
9,113,703	B2	8/2015	Flaherty	
D742,613	S *	11/2015	Hu	D34/21
D743,190	S	11/2015	Franck et al.	
D750,861	S *	3/2016	Alletto, Jr.	D34/21
9,277,809	B2	3/2016	Flaherty et al.	
9,289,058	B2	3/2016	Flaherty	
9,326,598	B1	5/2016	West et al.	
D771,981	S	11/2016	Flaherty et al.	
D771,982	S	11/2016	Flaherty et al.	
9,504,316	B1	11/2016	Streicher et al.	
9,554,644	B2	1/2017	Flaherty et al.	
D780,397	S *	2/2017	Nicoll	D34/21
D781,617	S	3/2017	Flaherty et al.	
D781,618	S	3/2017	Flaherty et al.	
D781,619	S	3/2017	Flaherty et al.	
D785,386	S	5/2017	Flaherty et al.	
D785,989	S	5/2017	Flaherty et al.	
D787,753	S	5/2017	Moran	
D800,483	S *	10/2017	Innes	D6/675.1
D809,730	S *	2/2018	Churchvara	D34/21
2013/0221820	A1	8/2013	Chang	
2015/0084488	A1	3/2015	Vellutato	
2015/0107627	A1	4/2015	Snyder et al.	
2015/0289641	A1	10/2015	Ergun et al.	
2017/0225698	A9	8/2017	Turbett et al.	

FOREIGN PATENT DOCUMENTS

AU	2015201469	A1	10/2015
CA	2860970	A1	2/2015
CA	2885812	A1	9/2015
CA	163904	S	6/2016
CA	165252	S	6/2016
CN	105901923	A	8/2016
CN	205963351	U	2/2017
EP	2685867	A1	1/2014
EP	2842458	A1	3/2015
EP	2926689	A1	10/2015
JP	03-198070	U	6/2015
KR	2017-028814	A	3/2017
TW	201412270	A	4/2014
TW	201444499	A	12/2014
TW	201637596	A	11/2016
WO	WO-2015/153099	A1	10/2015

OTHER PUBLICATIONS

Décor Therapy Rolling Bar Cart, posted at Amazon.com, posted on Mar. 1, 2017, site visited Aug. 28, 2018. online, available from internet: <https://www.amazon.com/dp/B06XCZNH63>.*

HOMCOM 47", posted at Amazon.com, posted on Apr. 26, 2017, site visited Aug. 28, 2018. online, available from internet: <https://www.amazon.com/HOMCOM-Rolling-Kitchen-Stainless-Shelves/dp/B071169MWP>.*

HOMCOM 34", posted at Amazon.com, posted on Dec. 13, 2016, site visited Aug. 28, 2018. online, available from internet: <https://www.amazon.com/dp/B01N9JCIJJ>.*

"Ergotron Work Fit-T Sit-Stand Desktop Workstation Stand with Table Mount"; [online] [retrieved Jan. 11, 2017]. Retrieved from the Internet: <URL: https://www.amazon.com/Ergotron-Sit-Stand-Desktop-Workstation-33-397-085/dp/B00QL6IGWQ/ref=sr_1_1?ie=UTF8&qid=1483986627&sr=8-1&keywords=ergotron+work+table>. (dated 2017) 8 pages.

"FlexiSpot 35" Wide Platform Height Adjustable Standing Desk Riser"; [online] [retrieved Jan. 11, 2017]. Retrieved from the Internet: <URL: https://www.amazon.com/FlexiSpot-Platform-Adjustable-Removable-M2B-M-SIZE/dp/B01HPE05BM/ref=sr_1_1?ie=UTF8&qid=1483986590&sr=8-1&keywords=flexispot+35+riser>. (dated 2017) 9 pages.

"Halter ED-258 Preassembled Height Adjustable Desk Sit / Stand Desk Elevating Desktop"; [online] [retrieved Jan. 11, 2017]. Retrieved from the Internet: <URL: https://www.amazon.com/Halter-ED-ZS8-Preassembled-Adjustable-Elevating/dp/B01BMULFAA/ref=sr_1_fkmr0_1?ie=UTF8&qid=1483986452&sr=8-1-fkmr0&keywords=Halter+ED-258+Pre+Desk+Elevating+Desk>. (dated 2017) 9 pages.

"Rocelco ADR Height Adjustable Sit/Stand Desk Computer Riser"; [online] [retrieved Jan. 11, 2017]. Retrieved from the Internet: <URL: https://www.amazon.com/Rocelco-ADR-Adjustable-Computer-Capacity/dp/B015GCGOD8/ref=sr_1_1?ie=UTF8&qid=1483986493&sr=8-1&keywords=rocelco+adr>. (dated 2017) 8 pages.

"VARIDESK—Height-Adjustable Standing Desk"; [online] [retrieved Jan. 11, 2017]. Retrieved from the Internet: <URL: https://www.amazon.com/VARIDESK-Height-Adjustable-Standing-Cubicles-Corner/dp/B017BUXRRE/ref=sr_1_1?ie=UTF8&qid=1483986540&sr=8-1-spons&keywords=VARIDESK-Height-Adjustable-Standing-Desk&psc=1>. (dated 2017) 8 pages.

Office Workstation Design, posted at Iccorporateinteriors.com.au, posted on May 23, 2015, site visited Apr. 23, 2018. online, available from Internet: <https://web.archive.org/web/20150523054550/https://www.icorporateinteriors.com.au/office-workstation-design-2/>.

* cited by examiner

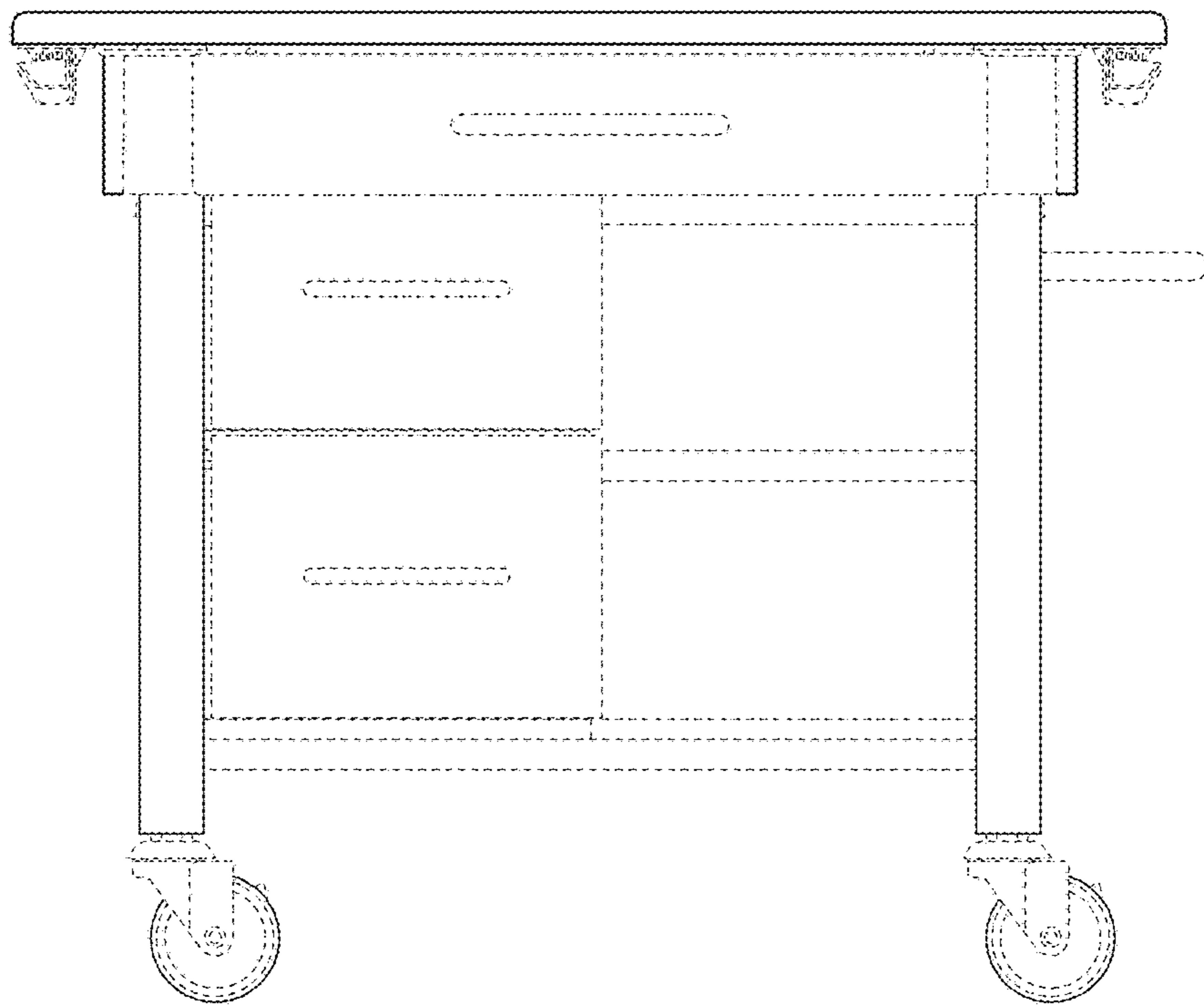


FIG. 2

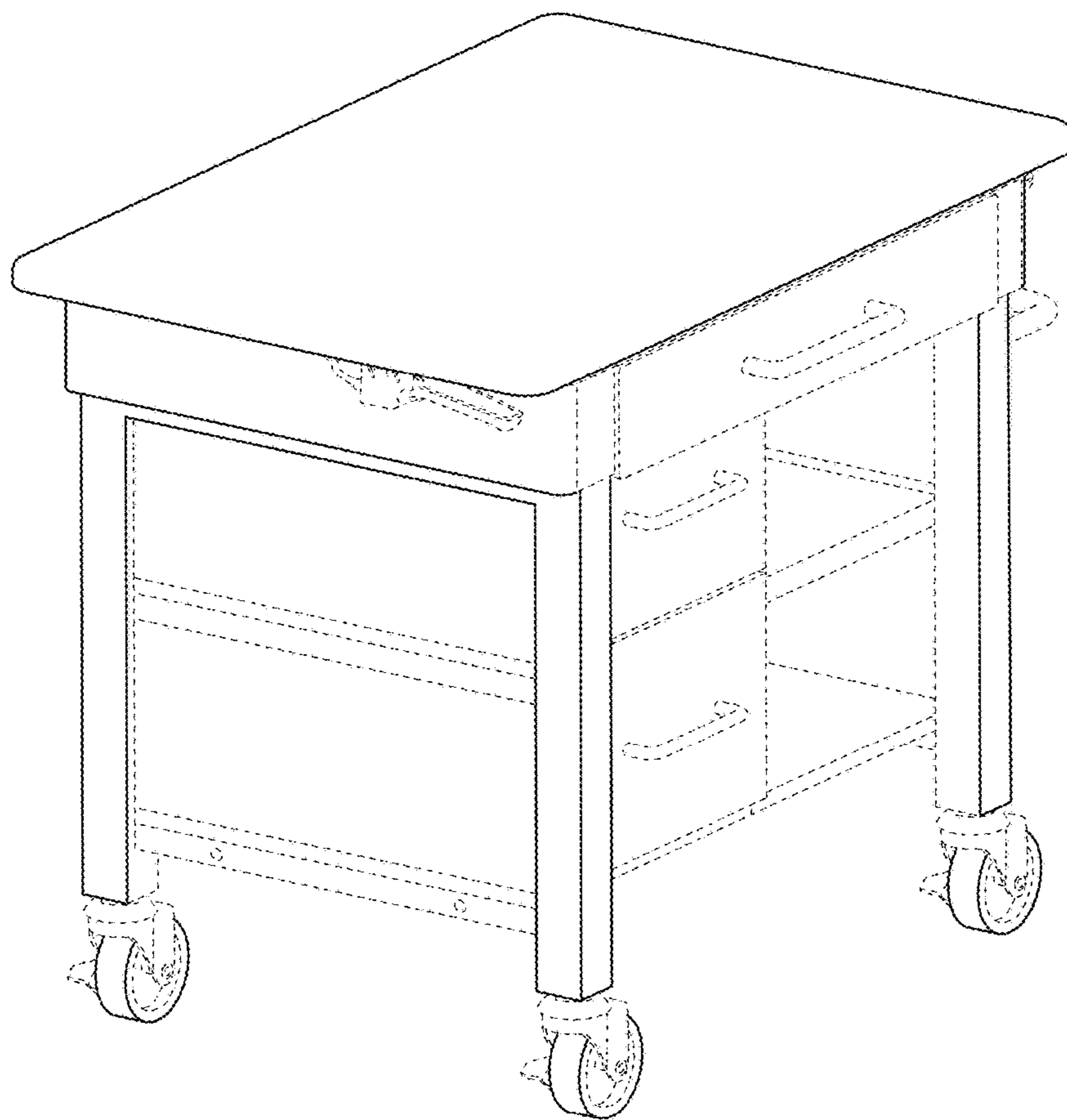


FIG. 1

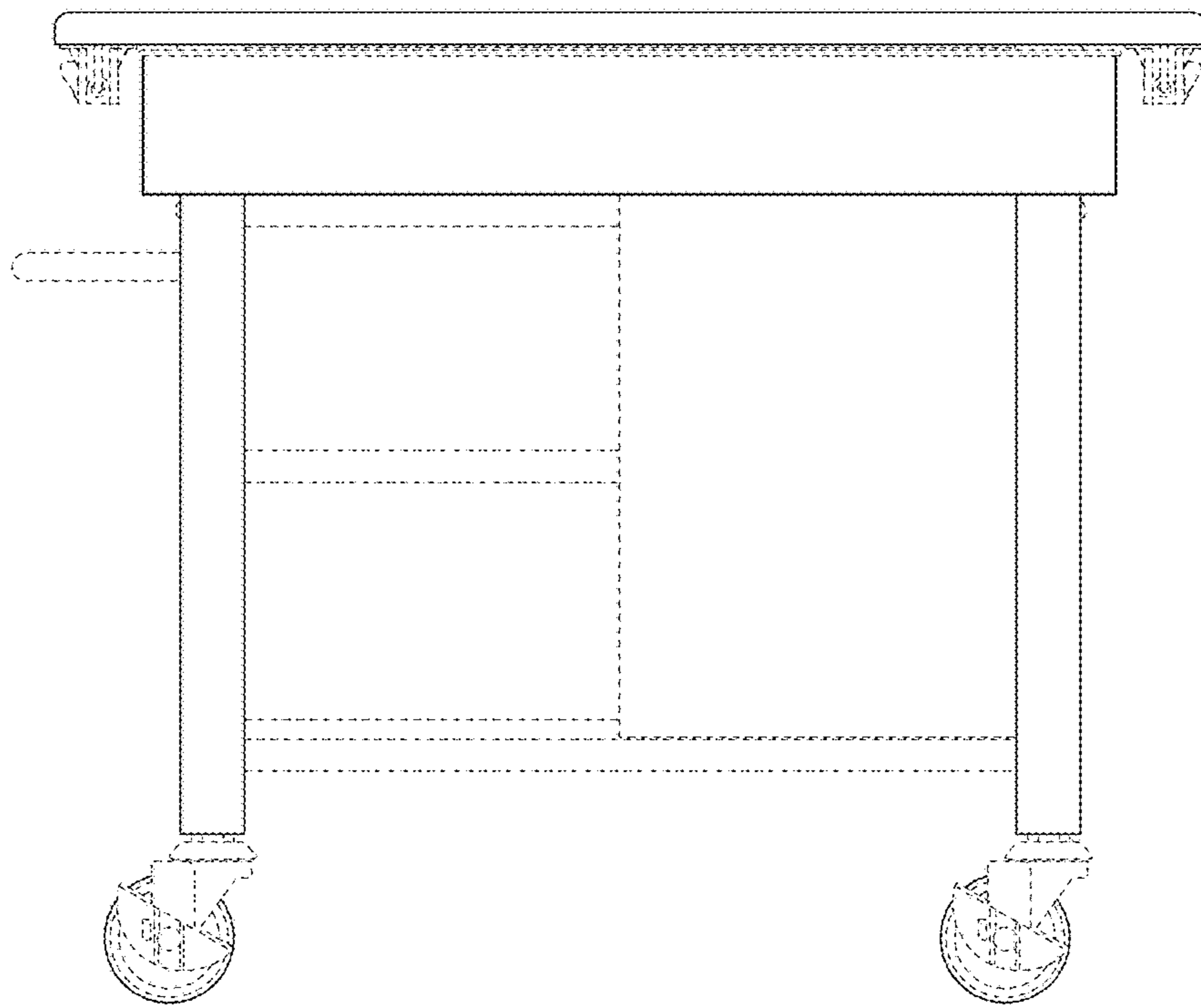


FIG. 3

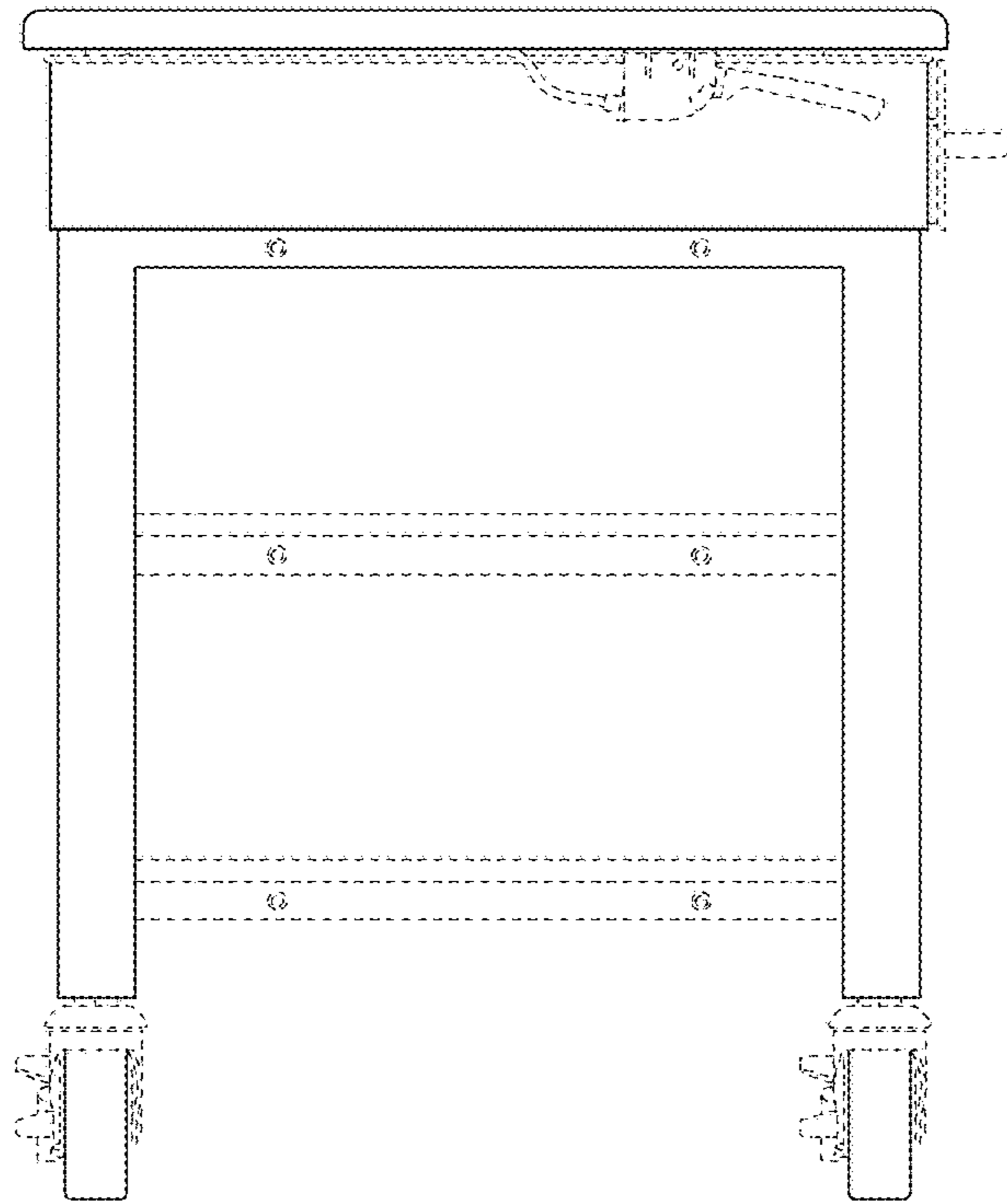


FIG. 4

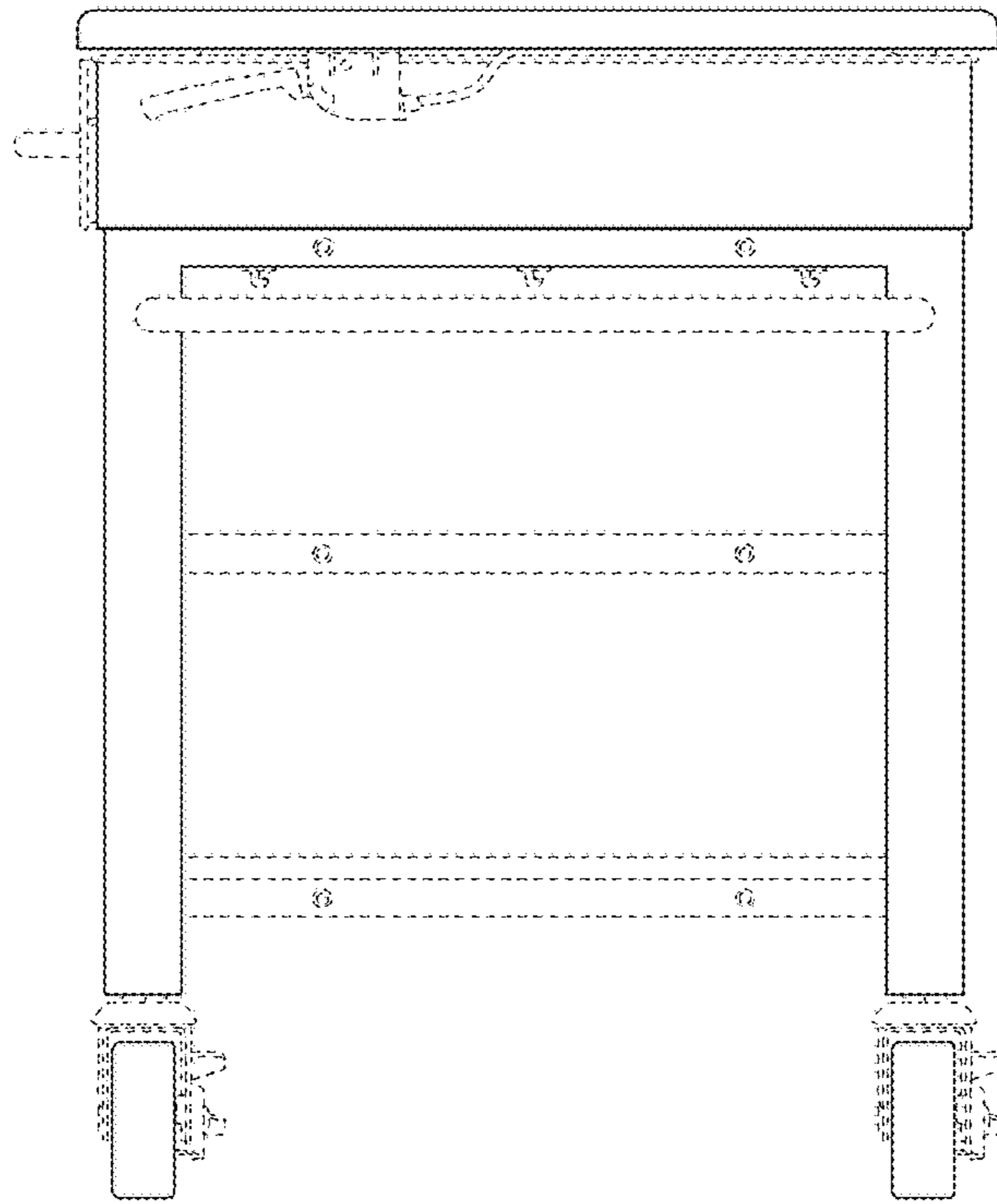


FIG. 5

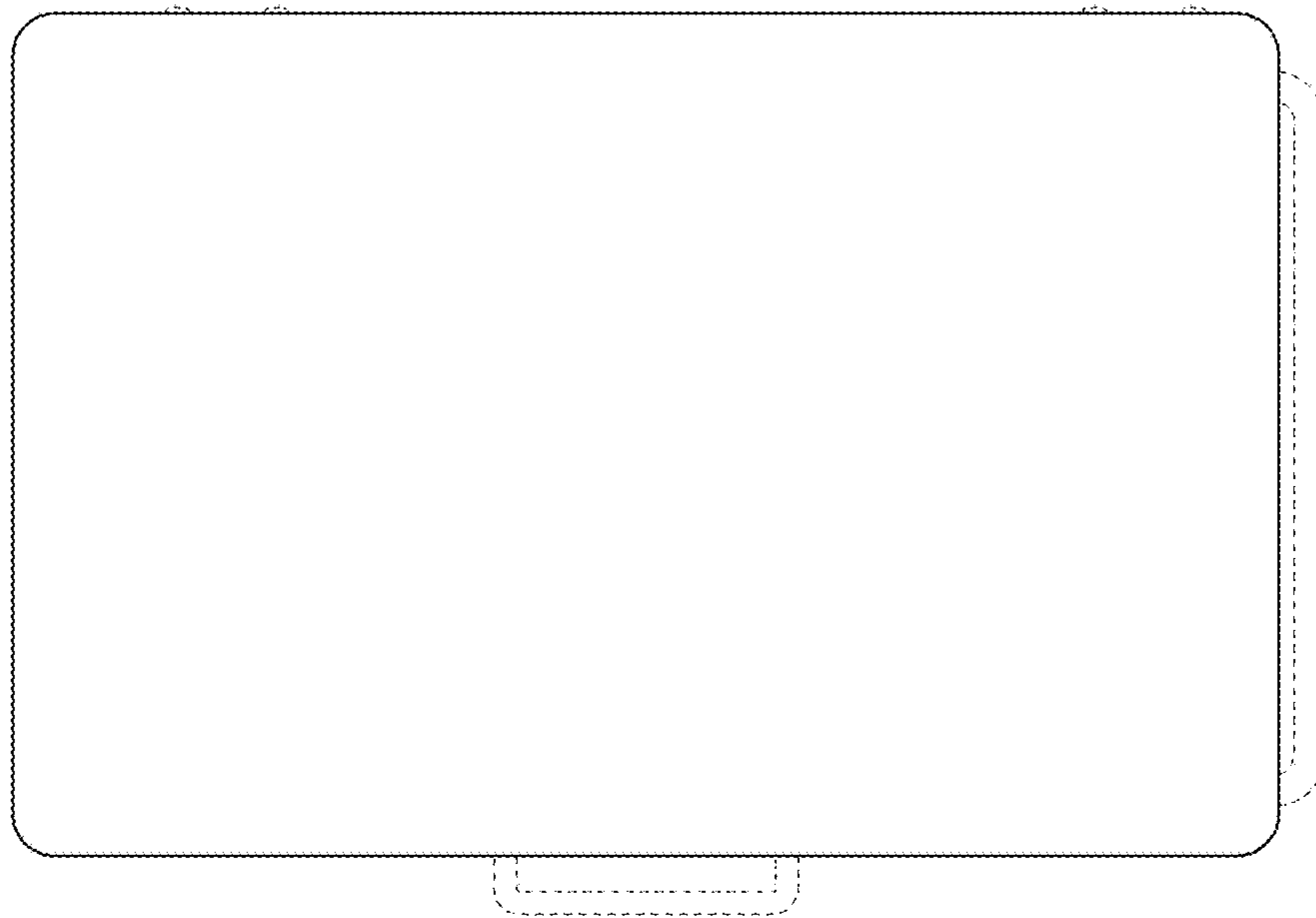


FIG. 6

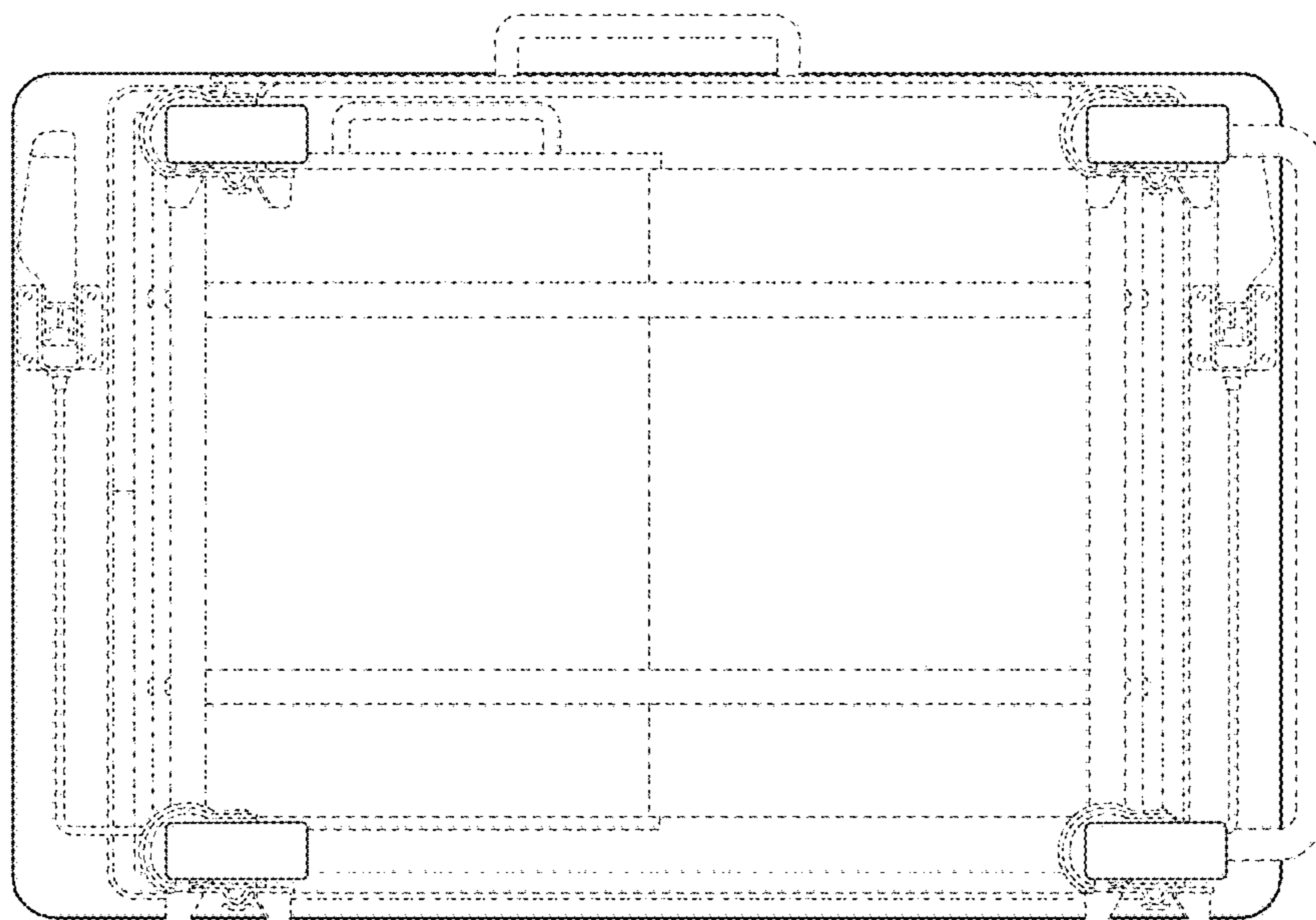


FIG. 7

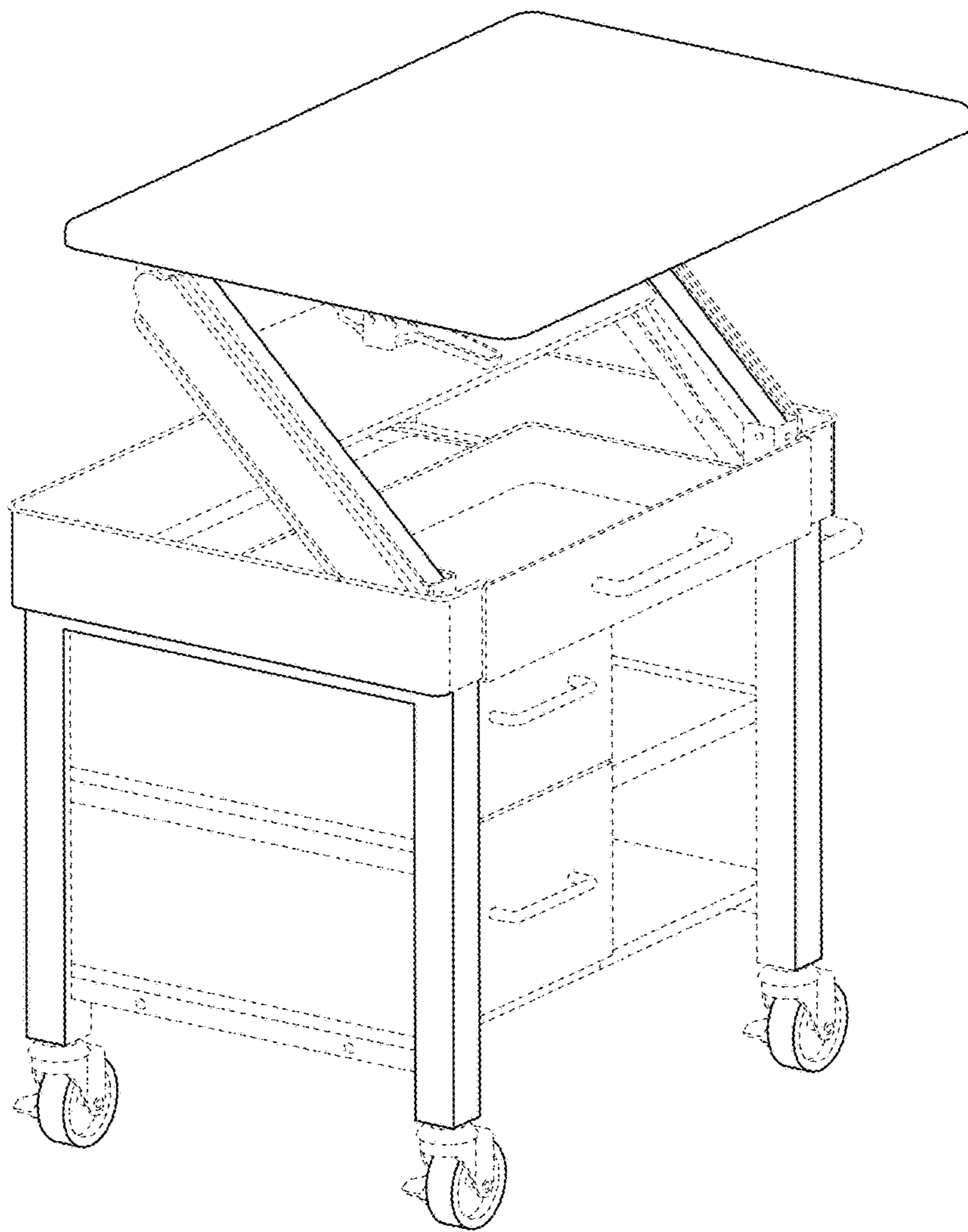


FIG. 8

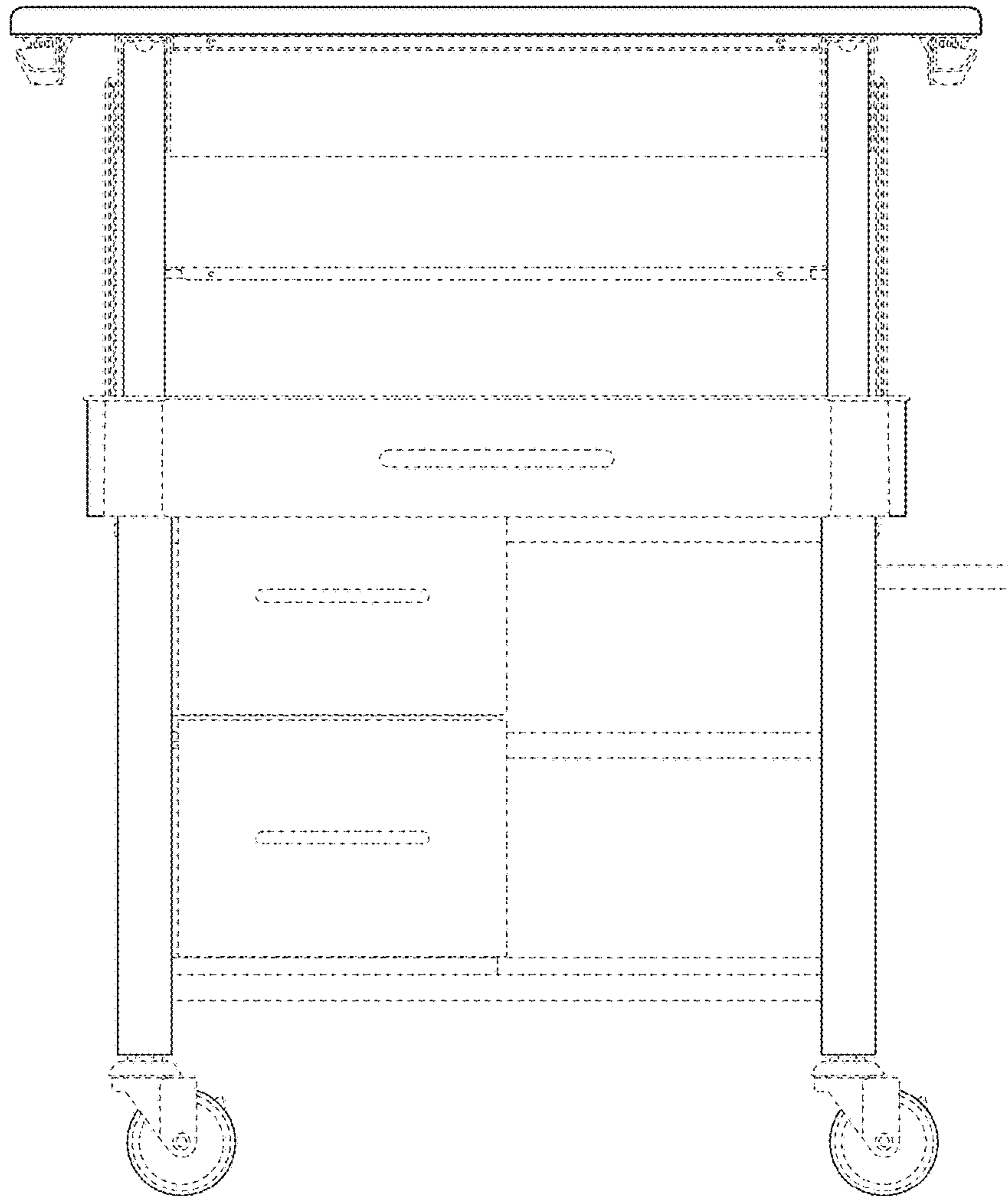


FIG. 9

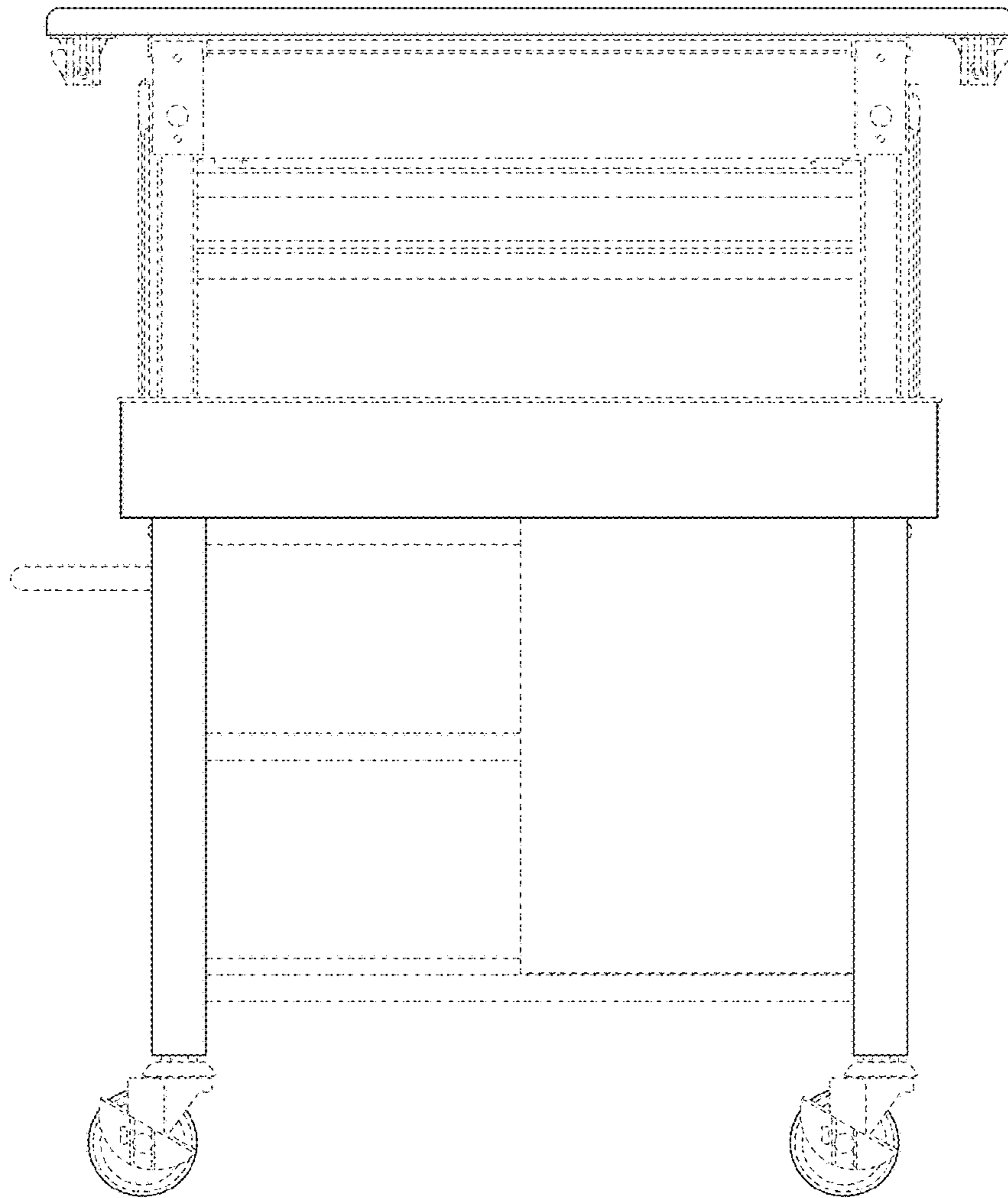


FIG. 10

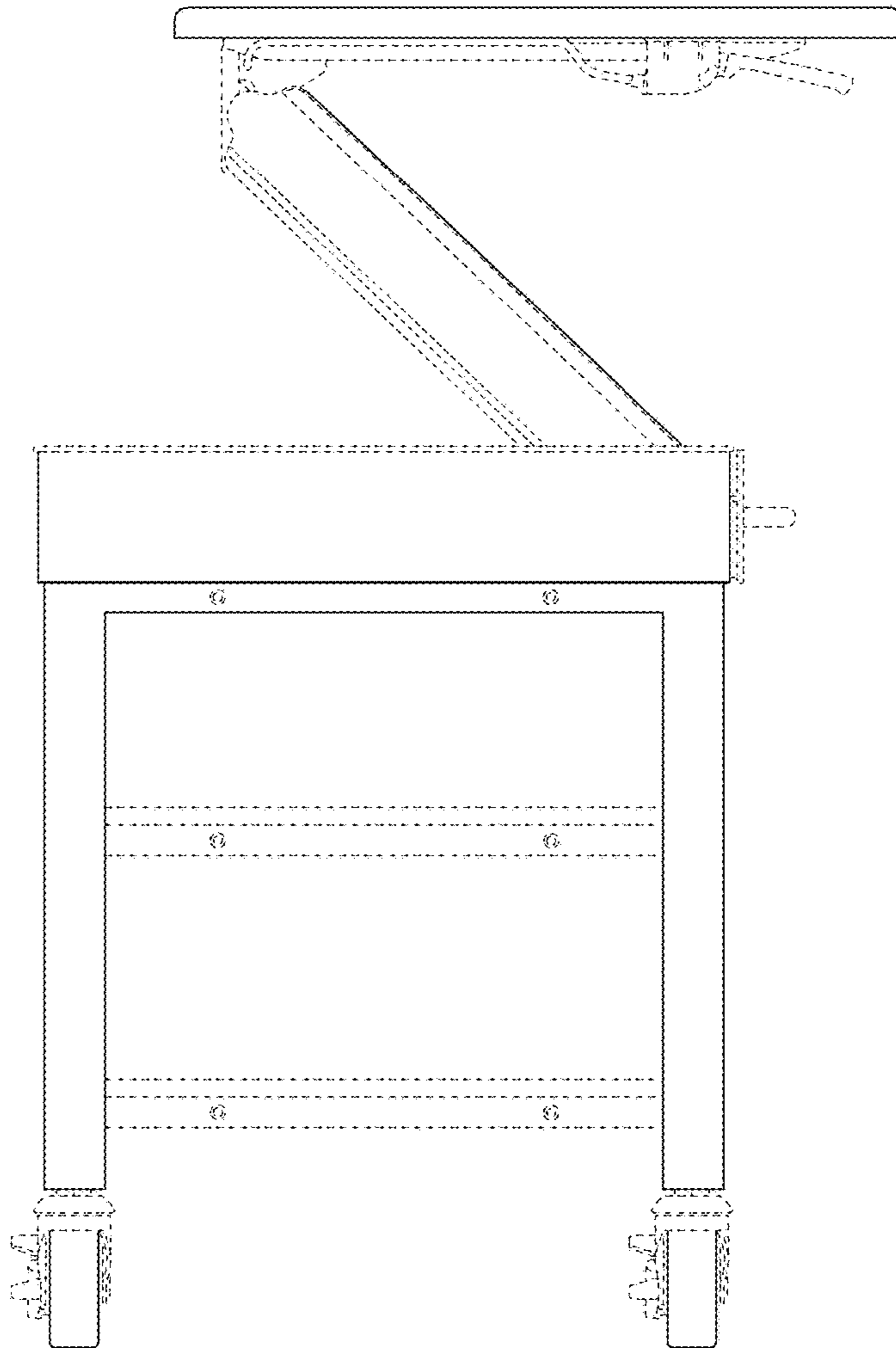


FIG. 11

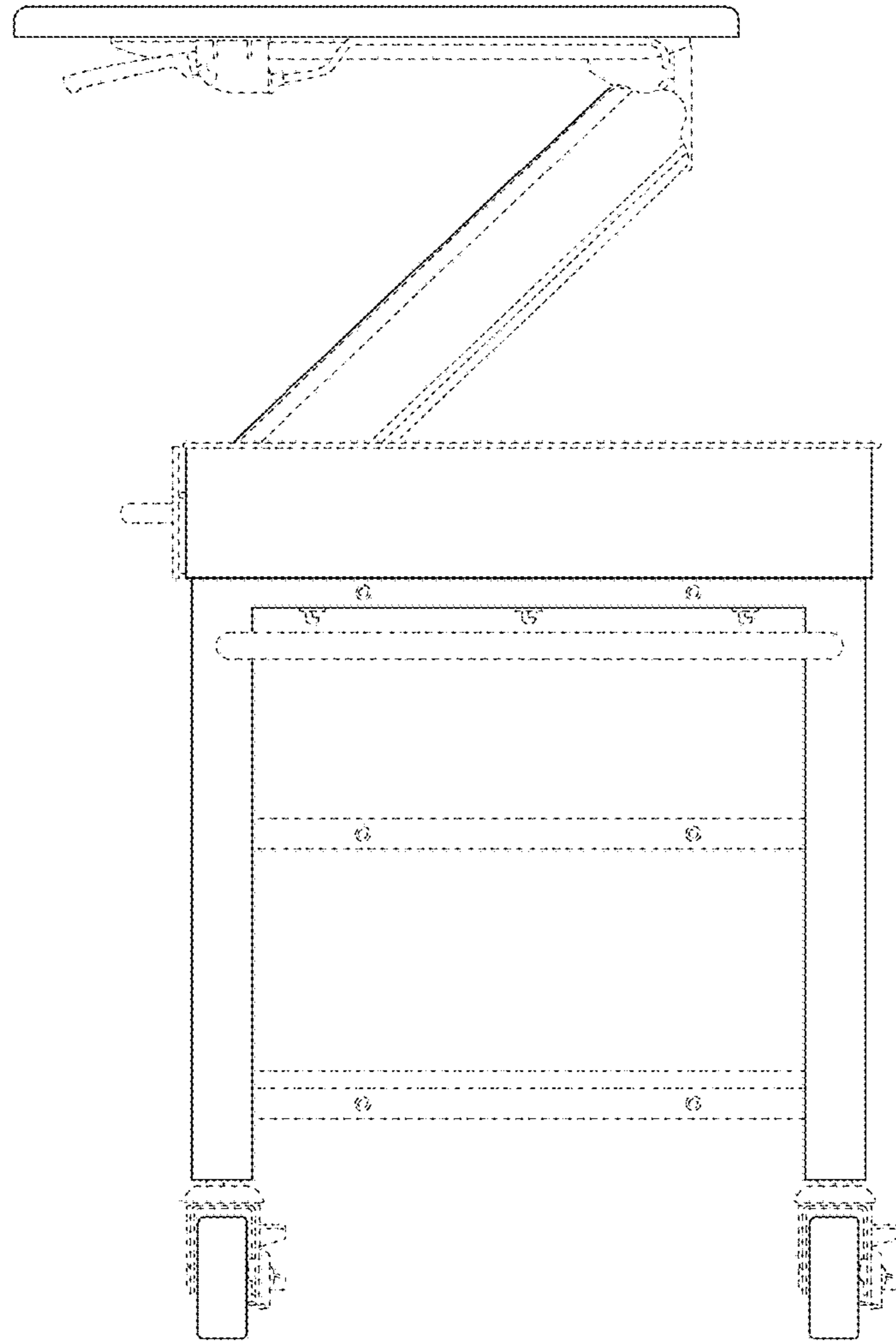


FIG. 12

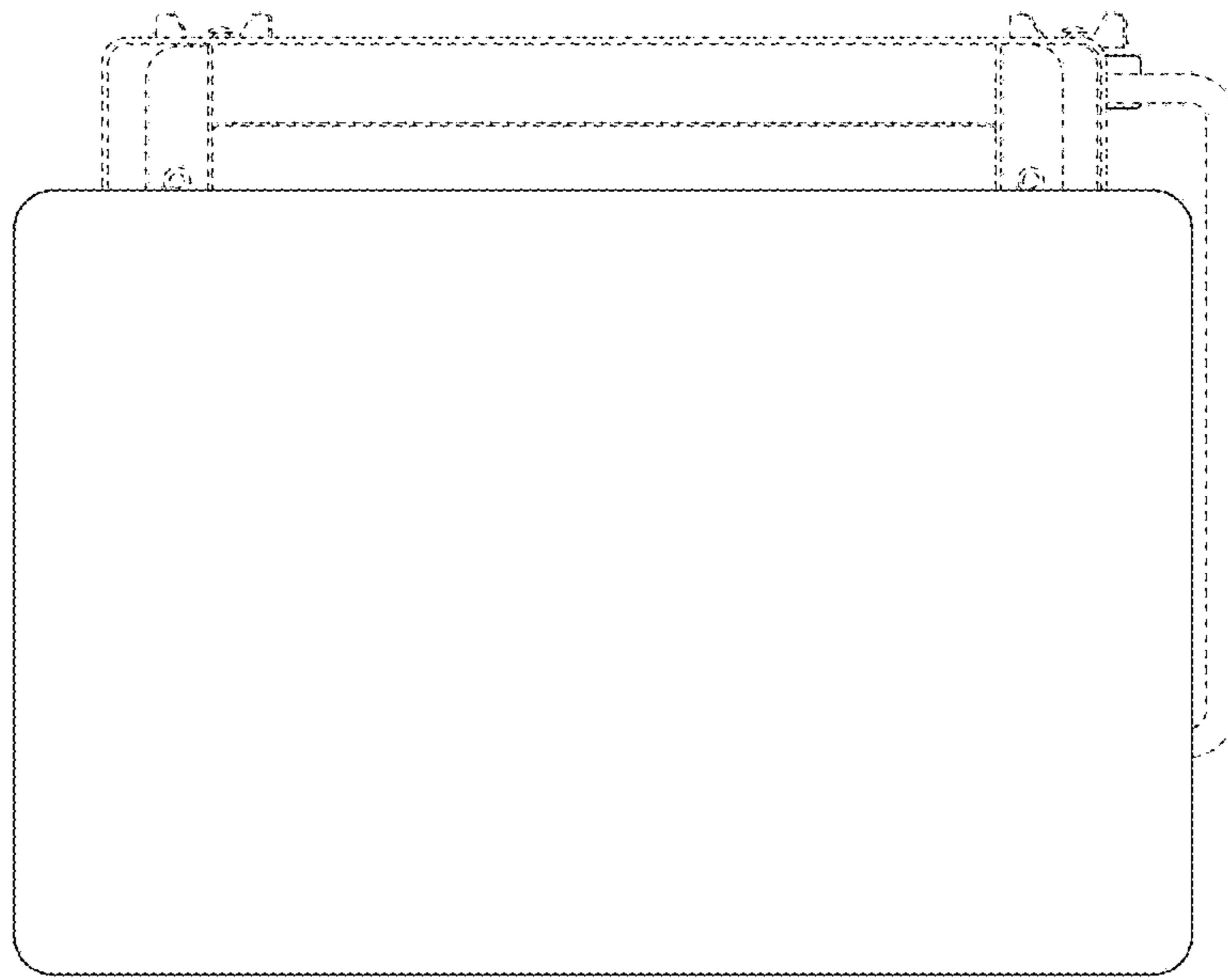


FIG. 13

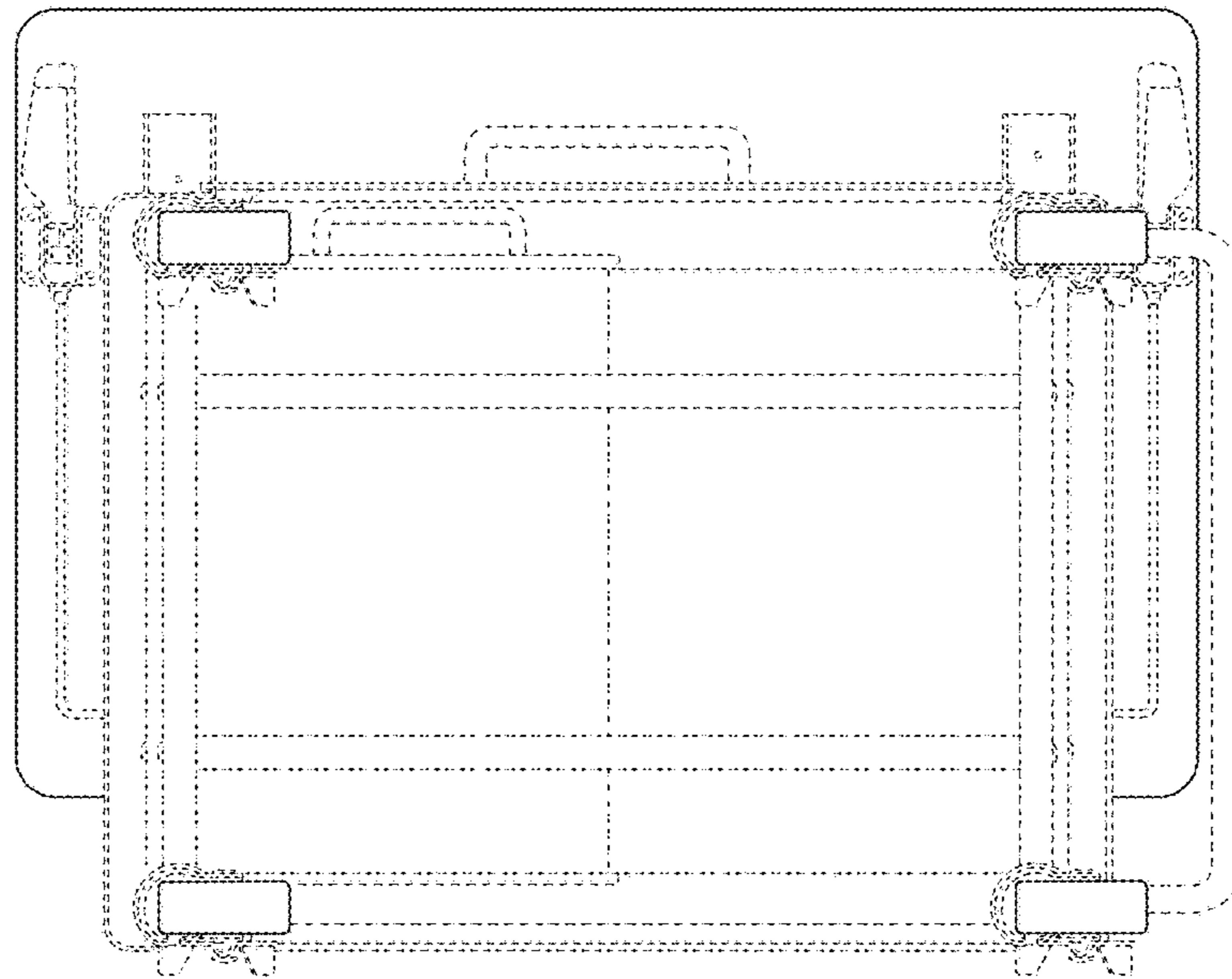


FIG. 14

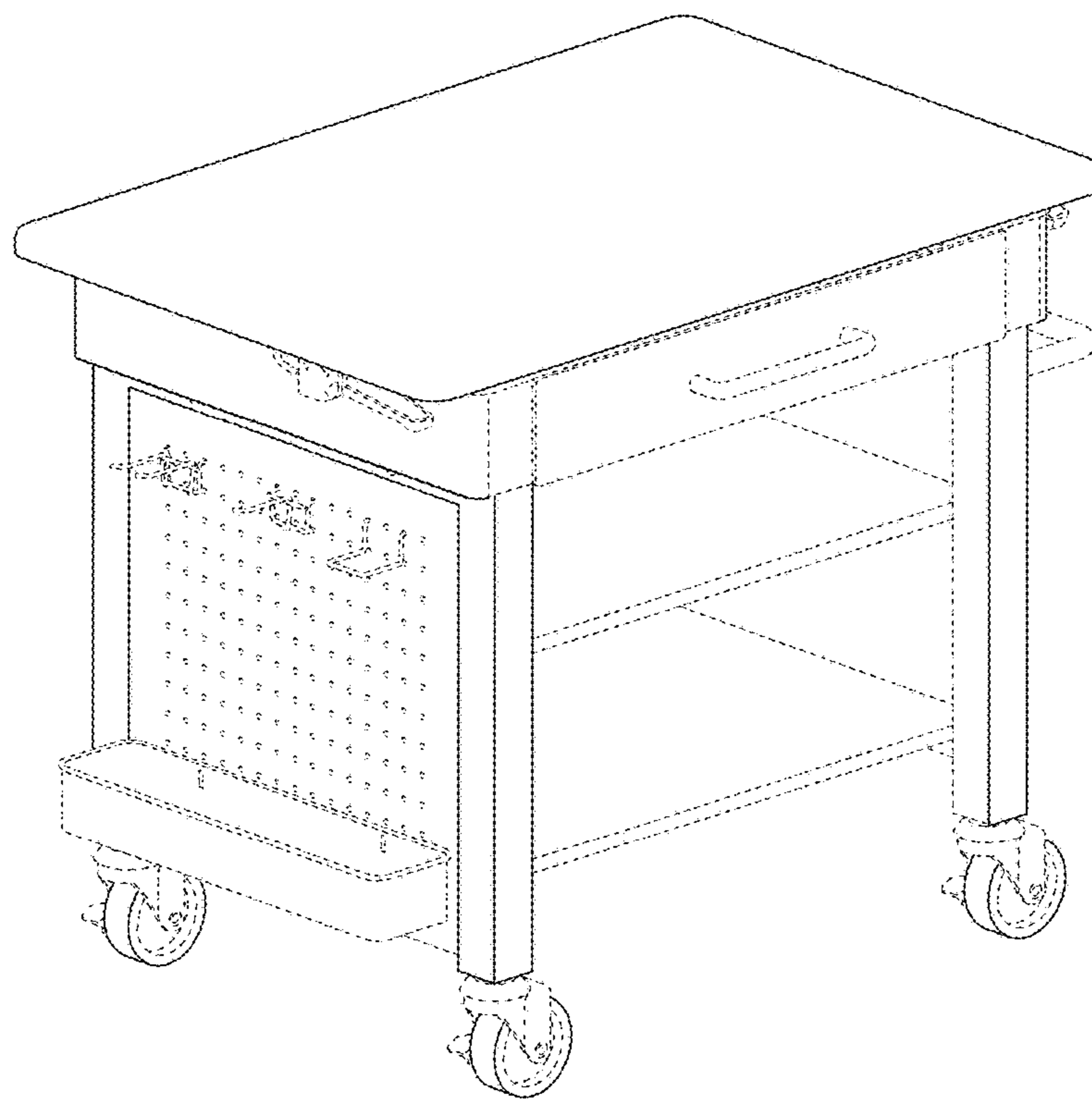


FIG. 15

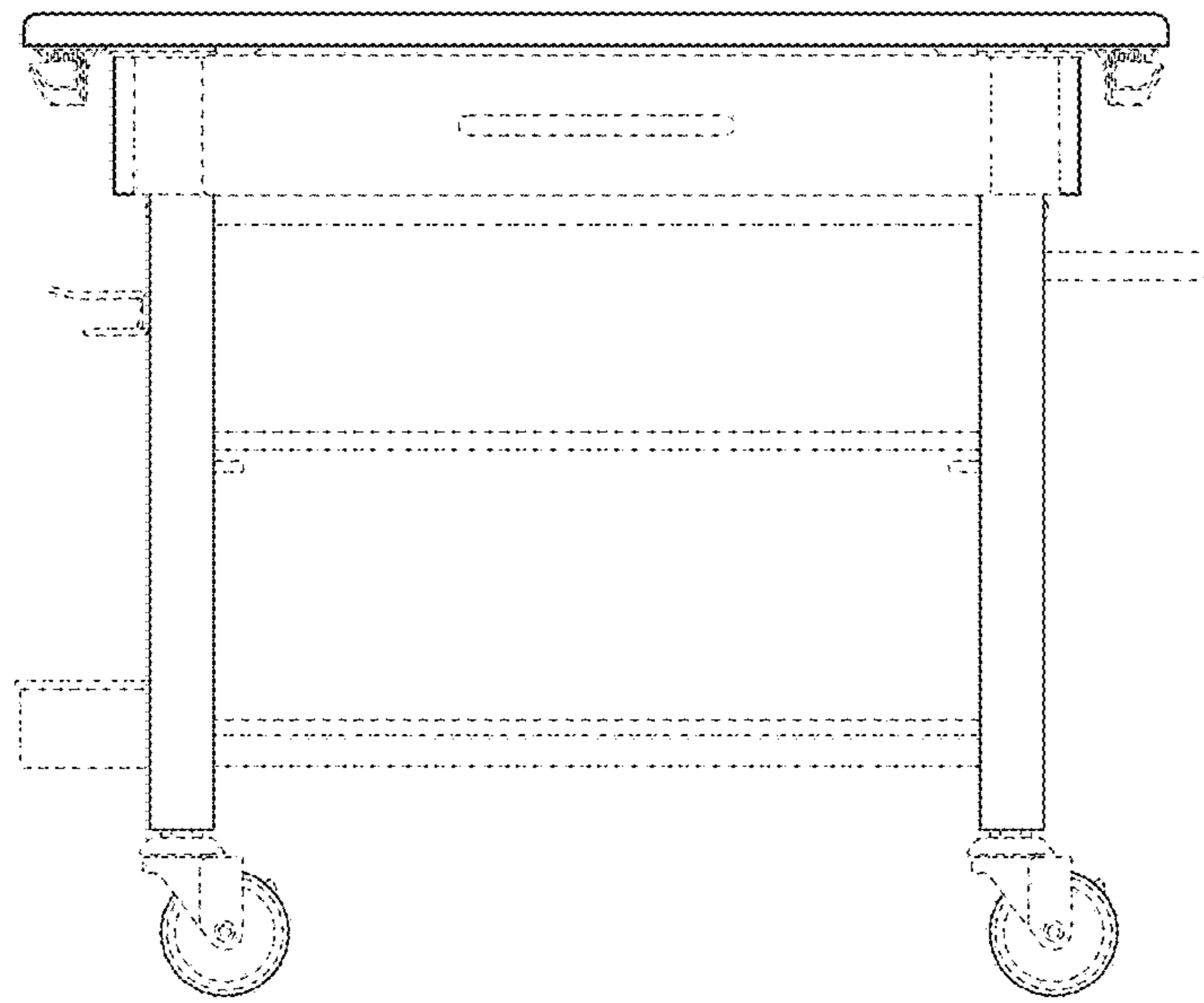


FIG. 16

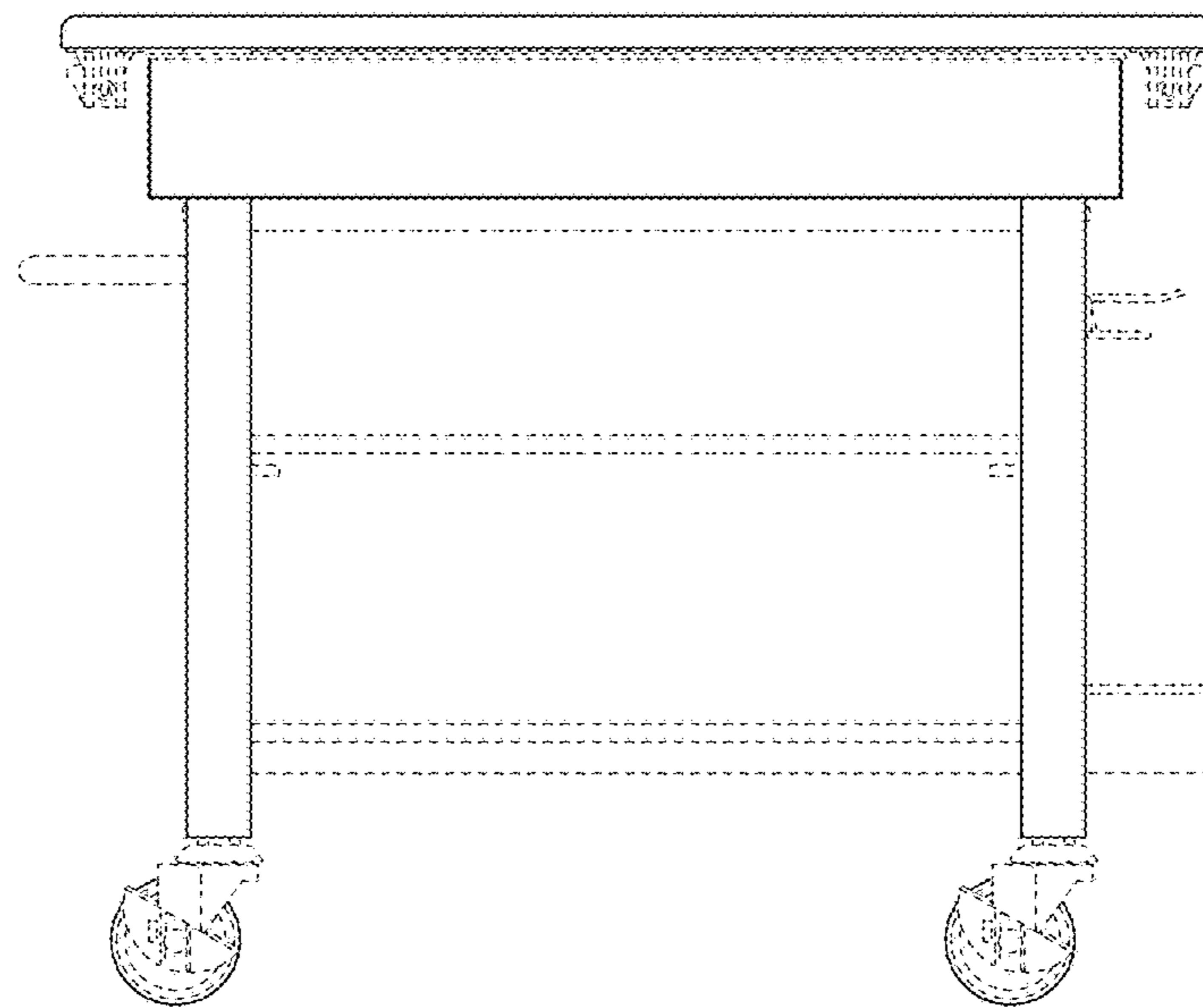


FIG. 17

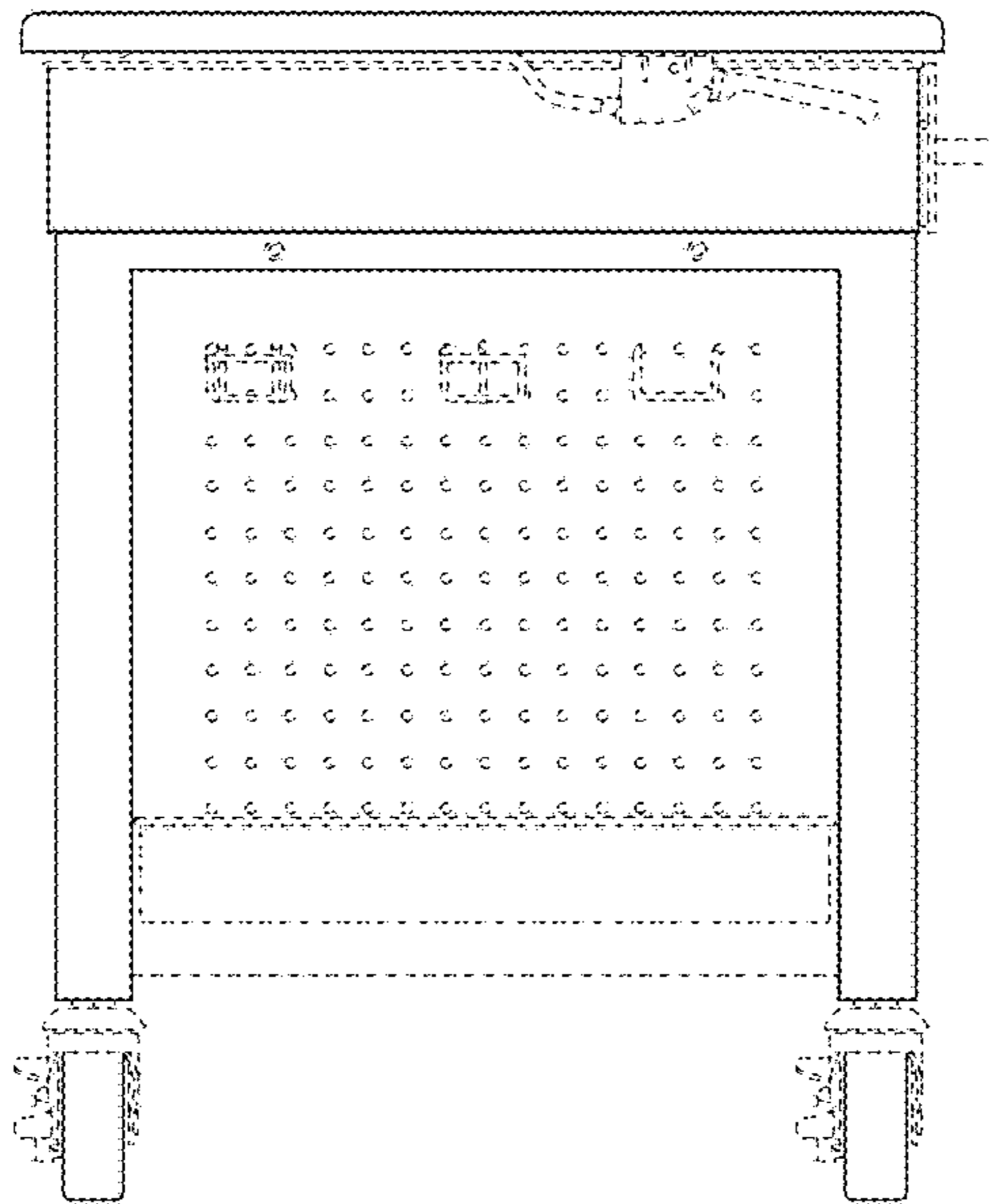


FIG. 18

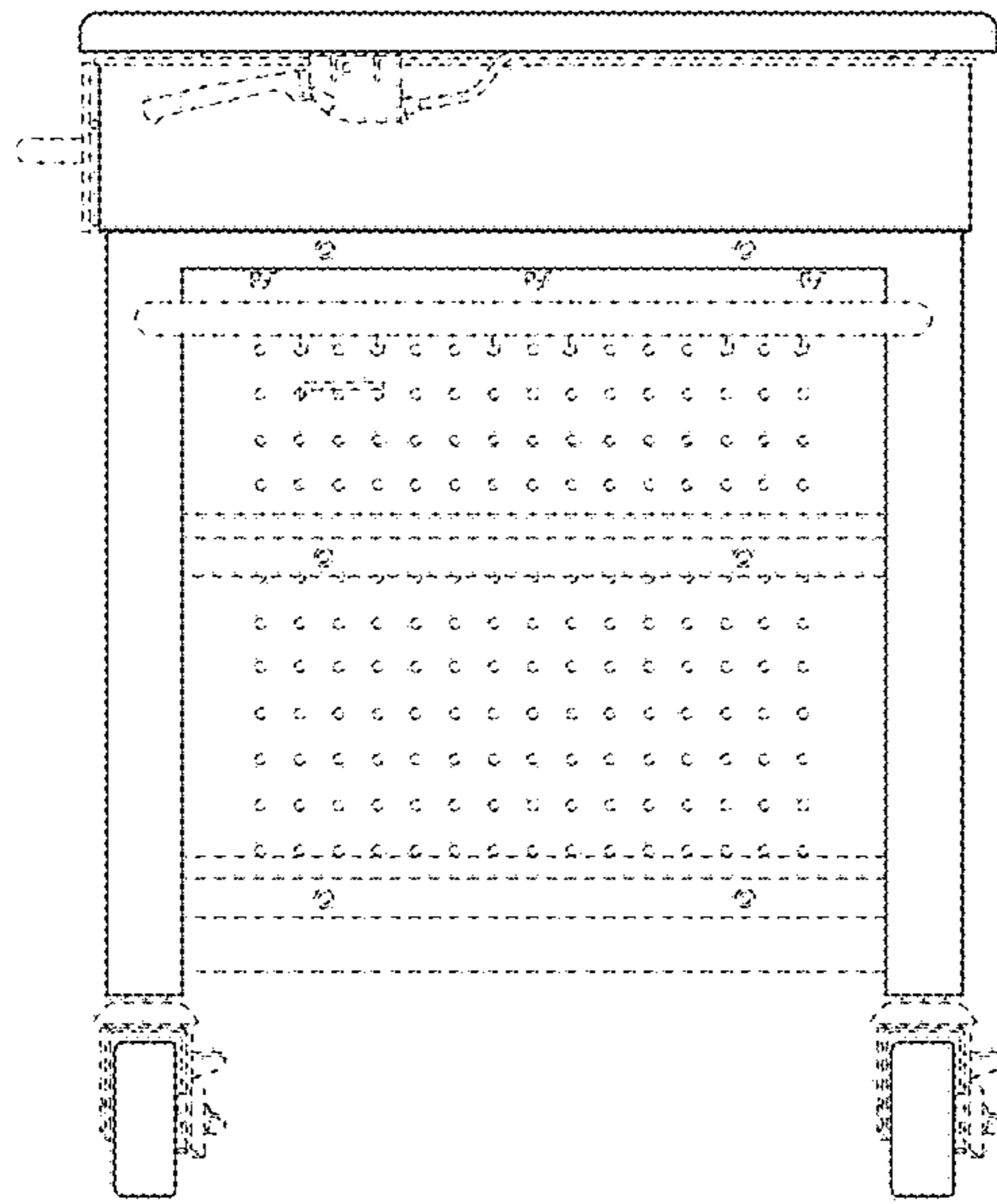


FIG. 19

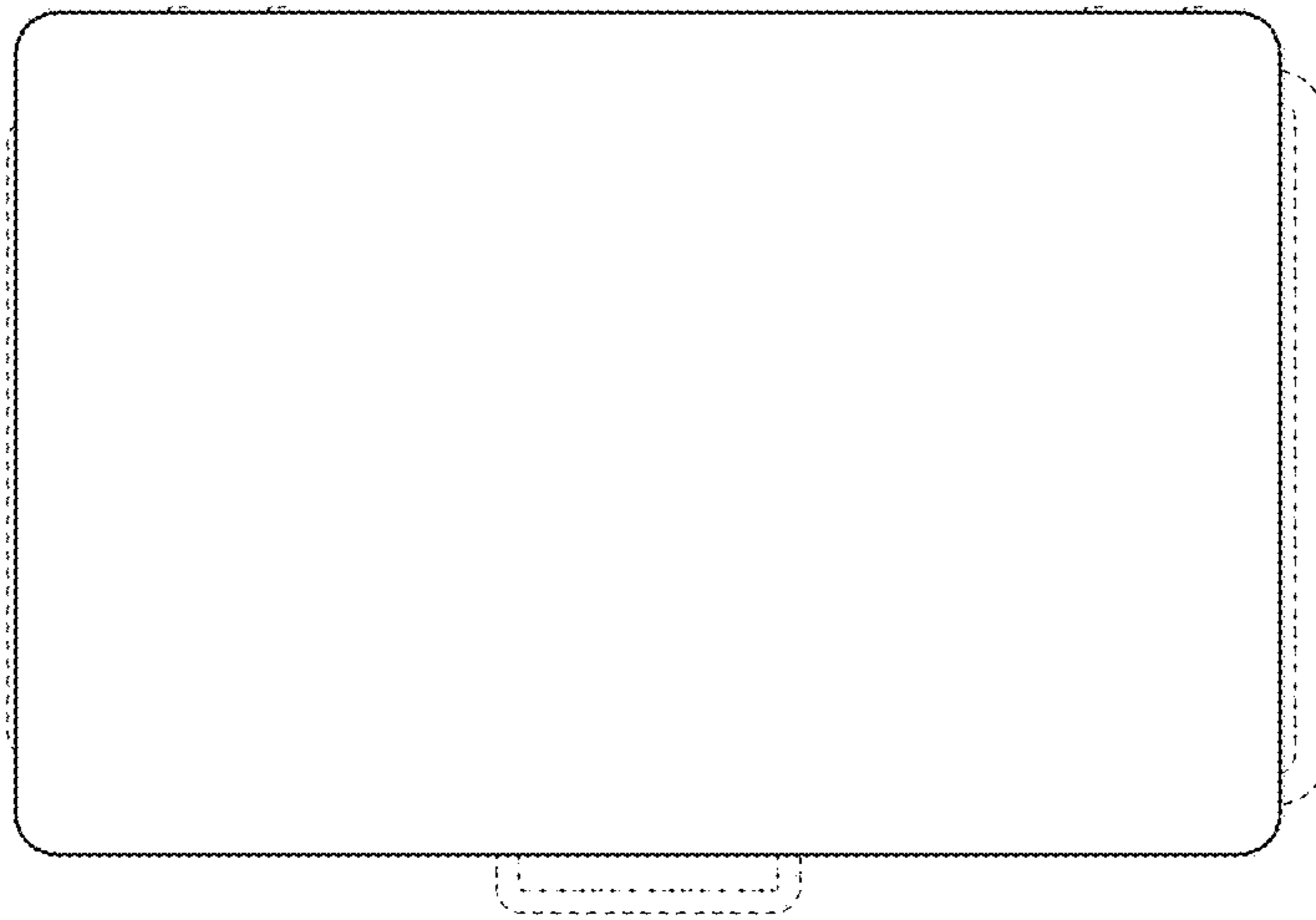


FIG. 20

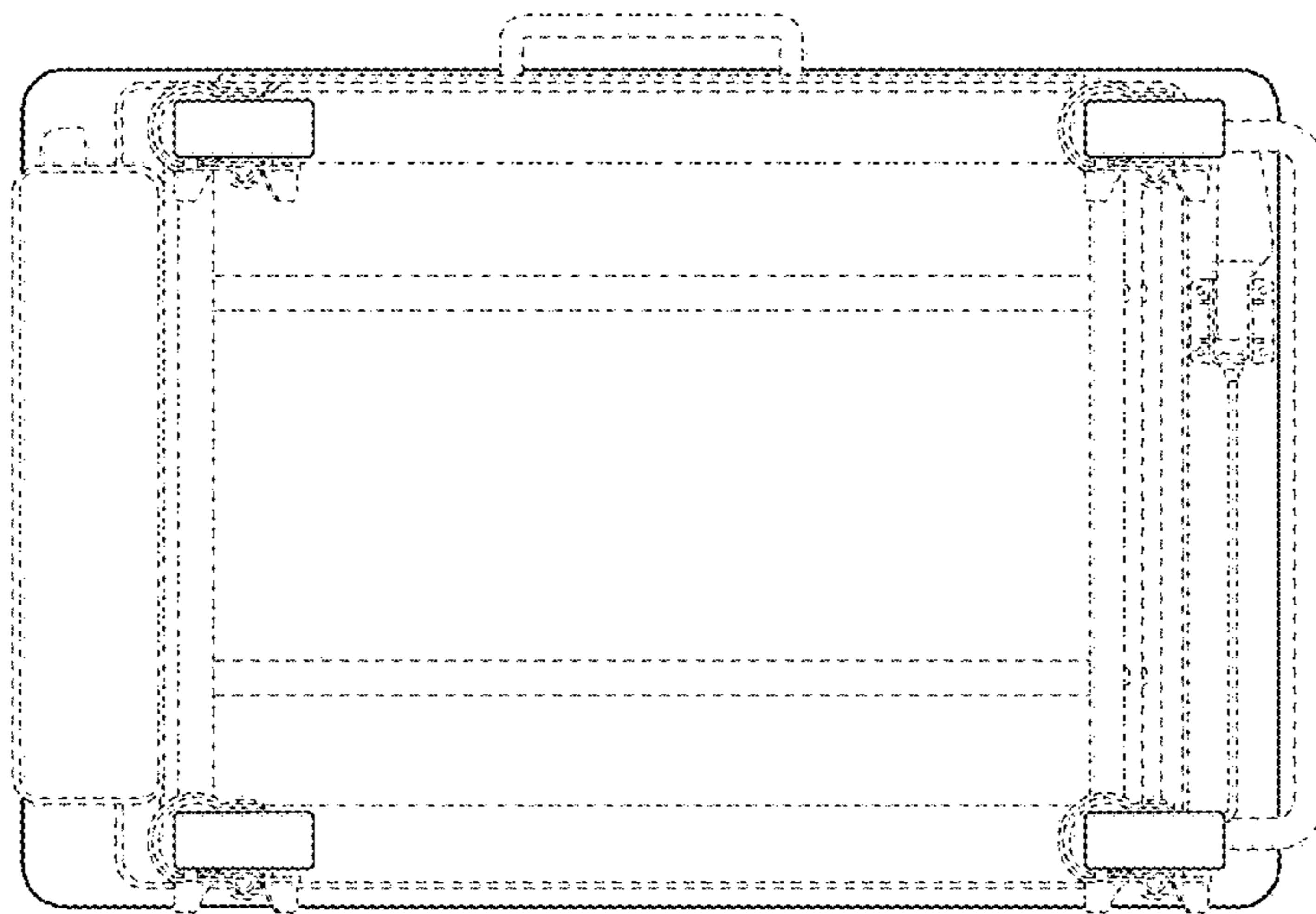


FIG. 21

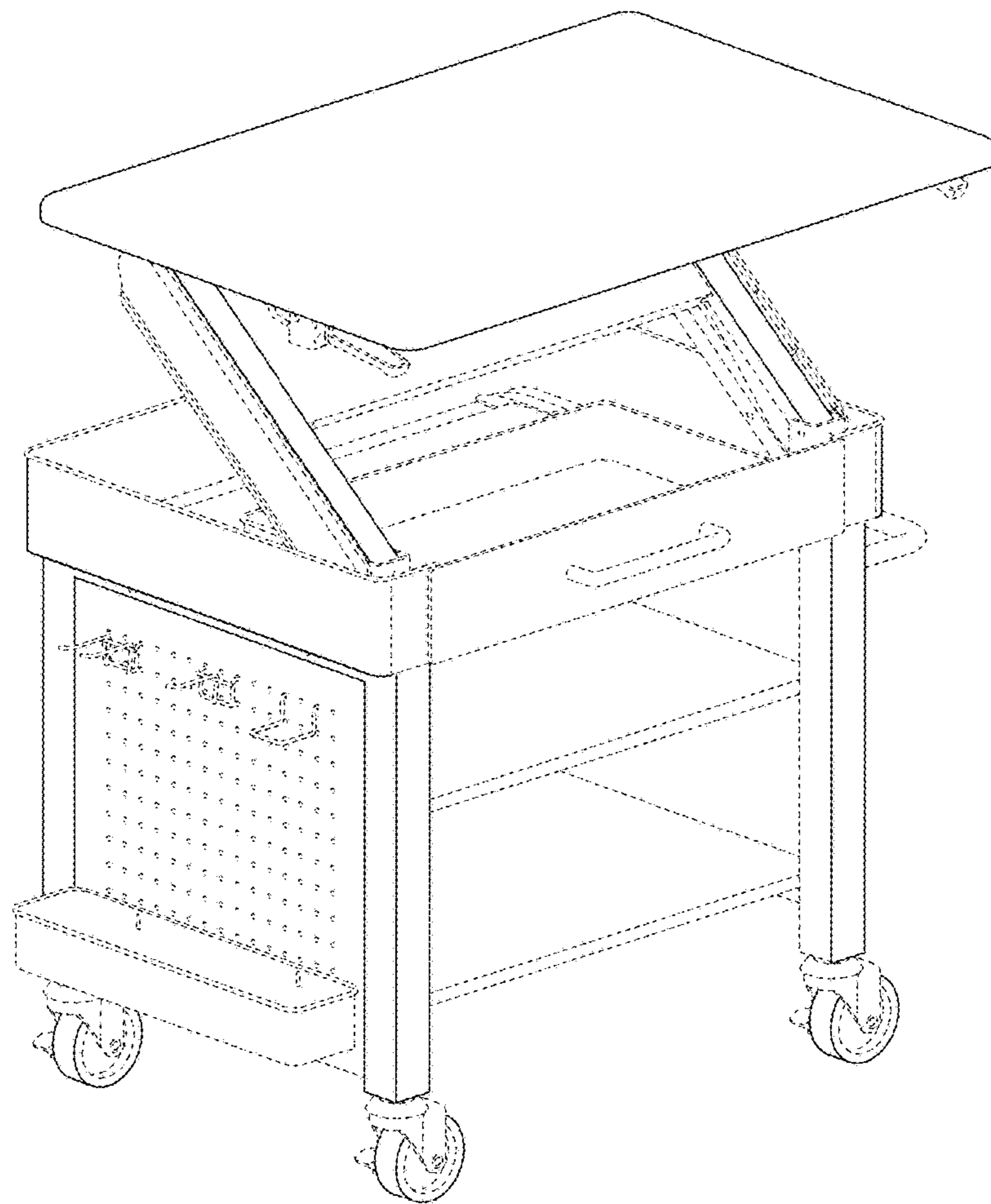


FIG. 22

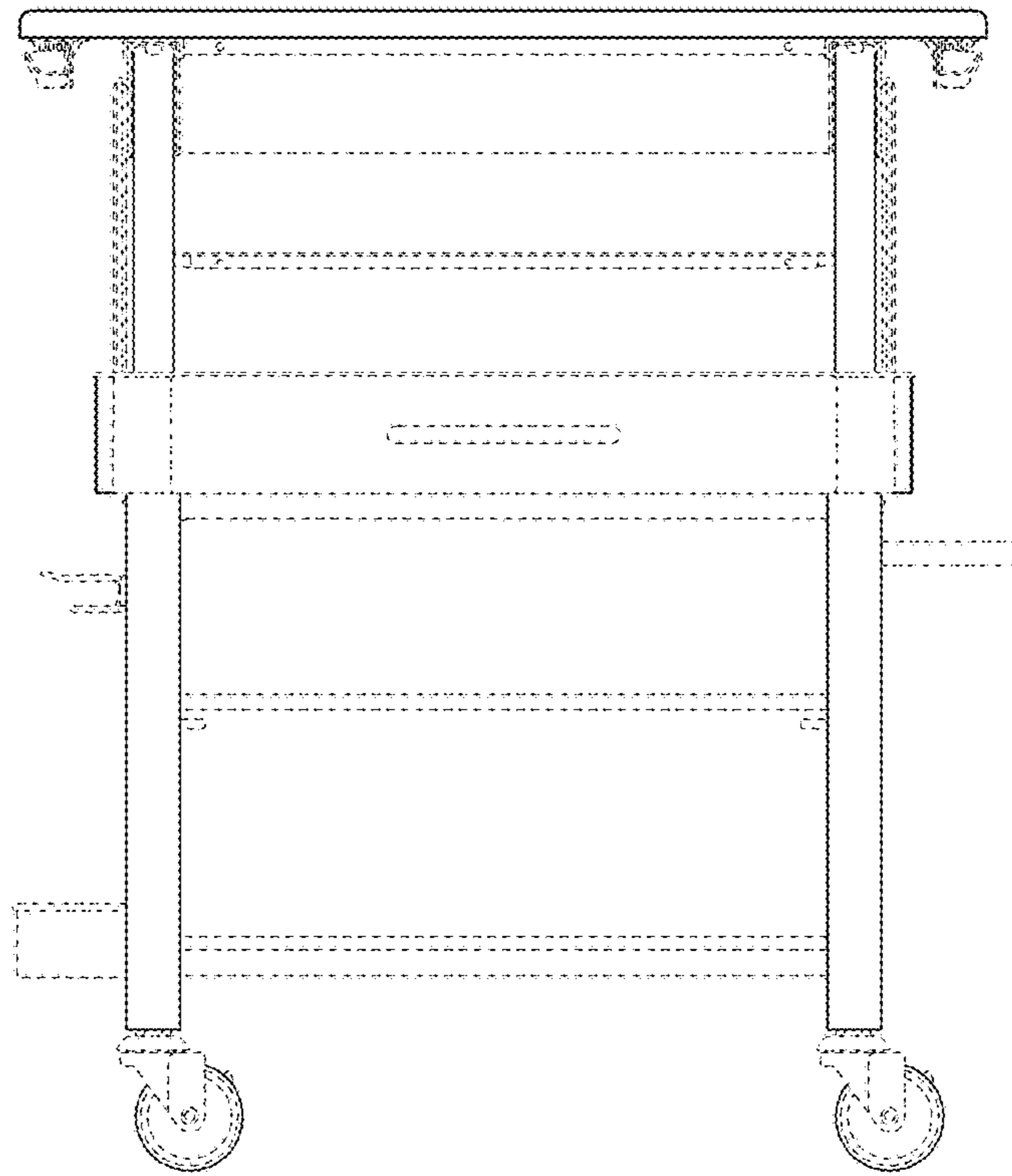


FIG. 23

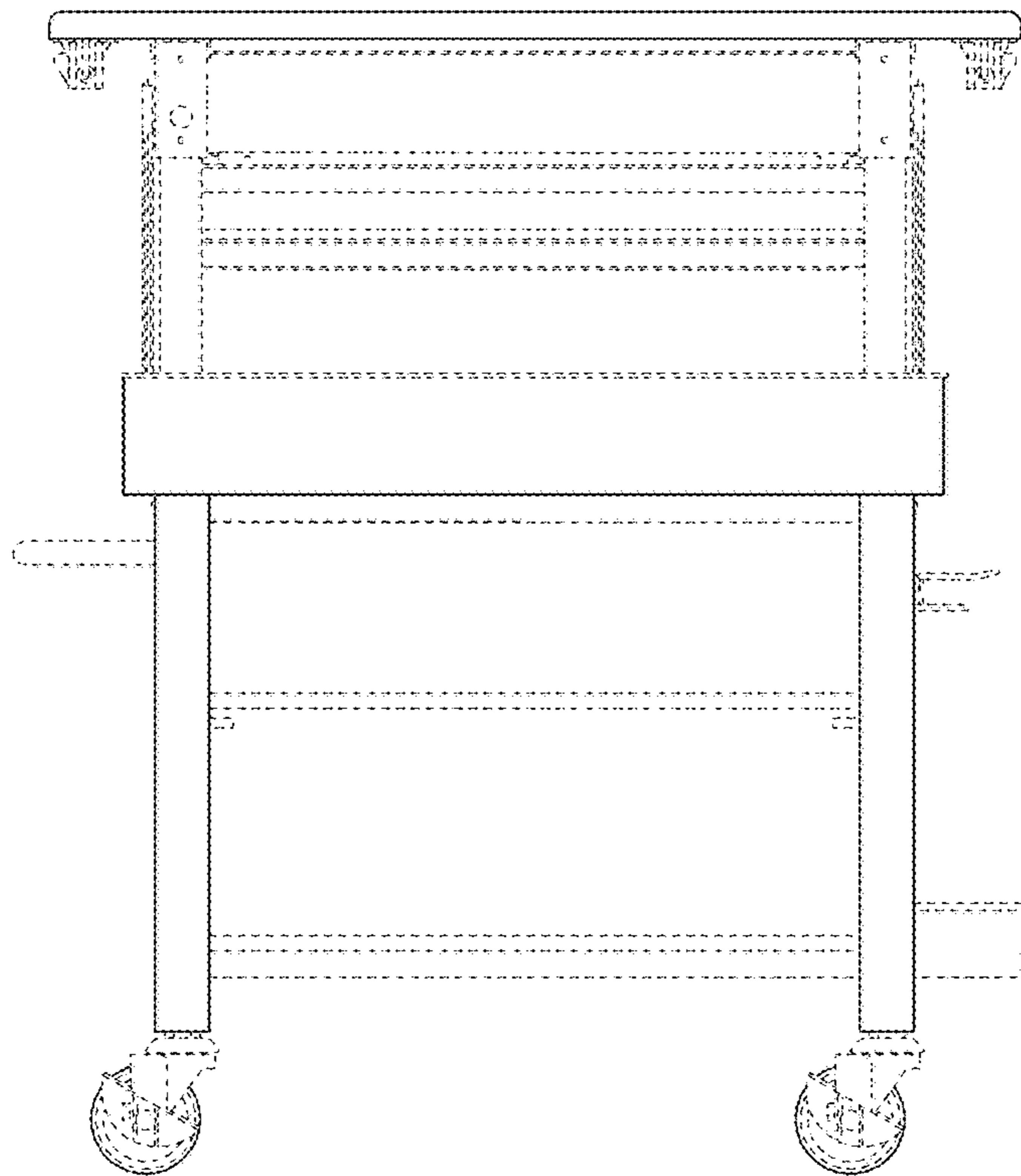


FIG. 24

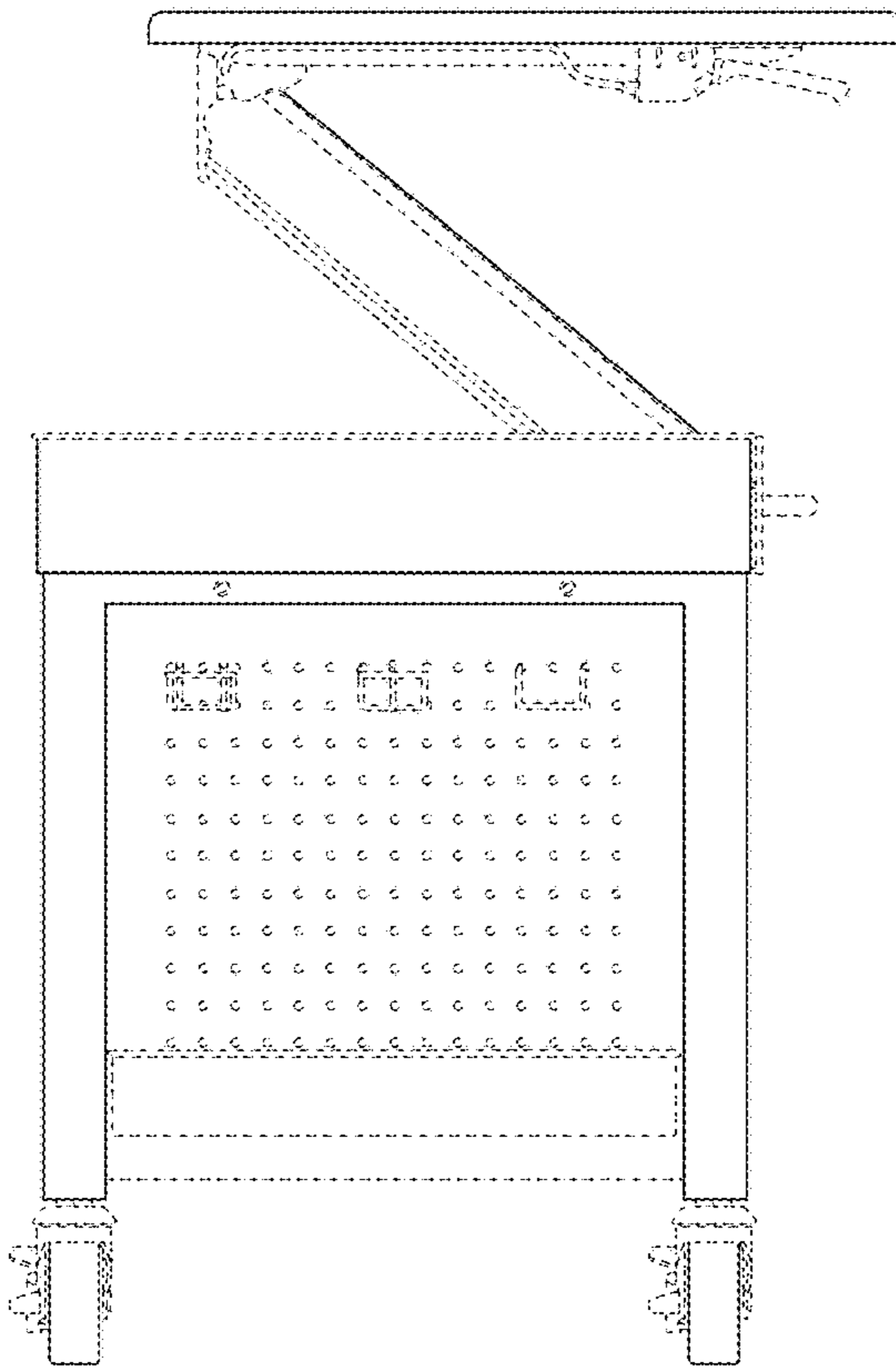


FIG. 25

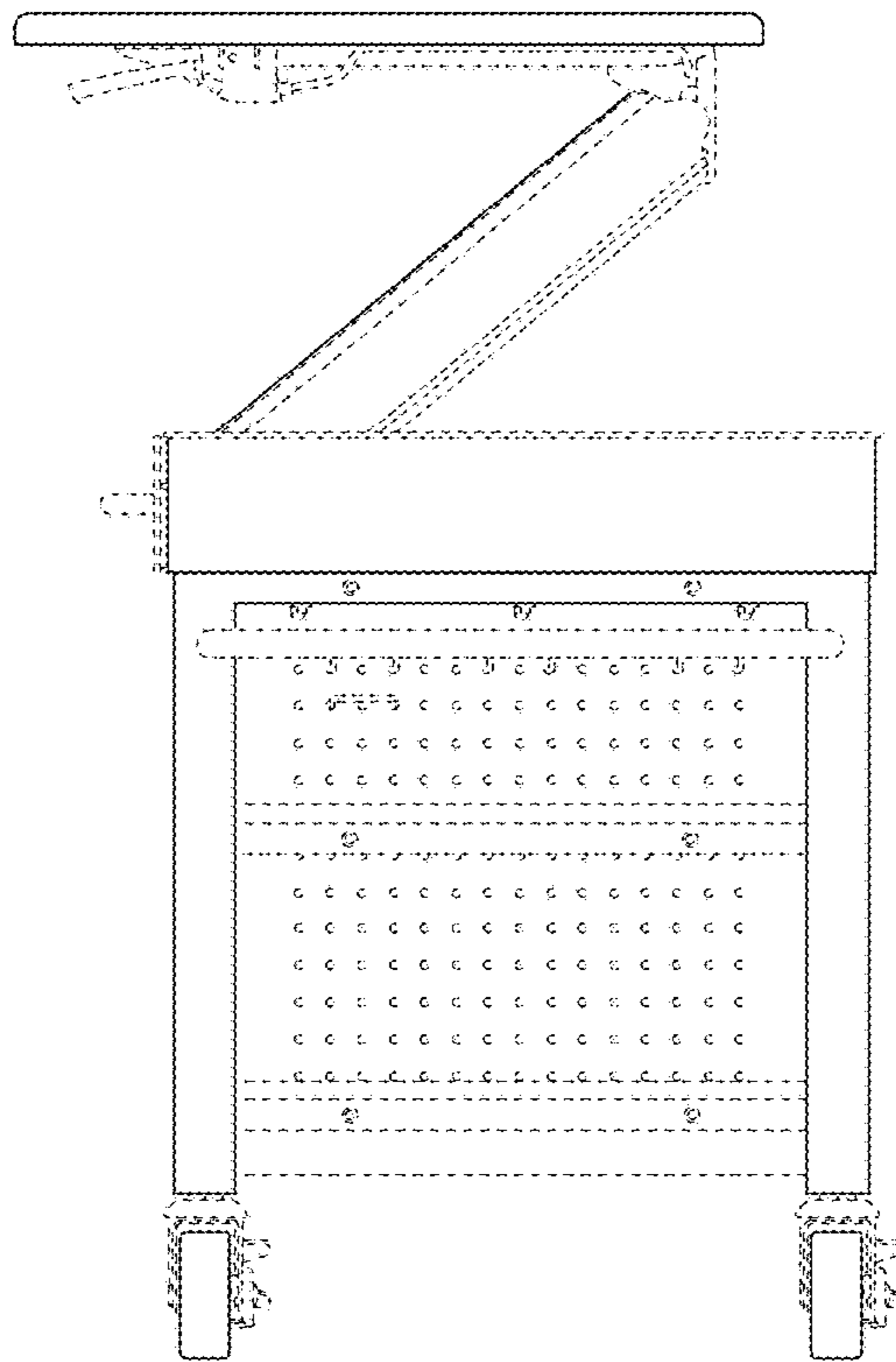


FIG. 26

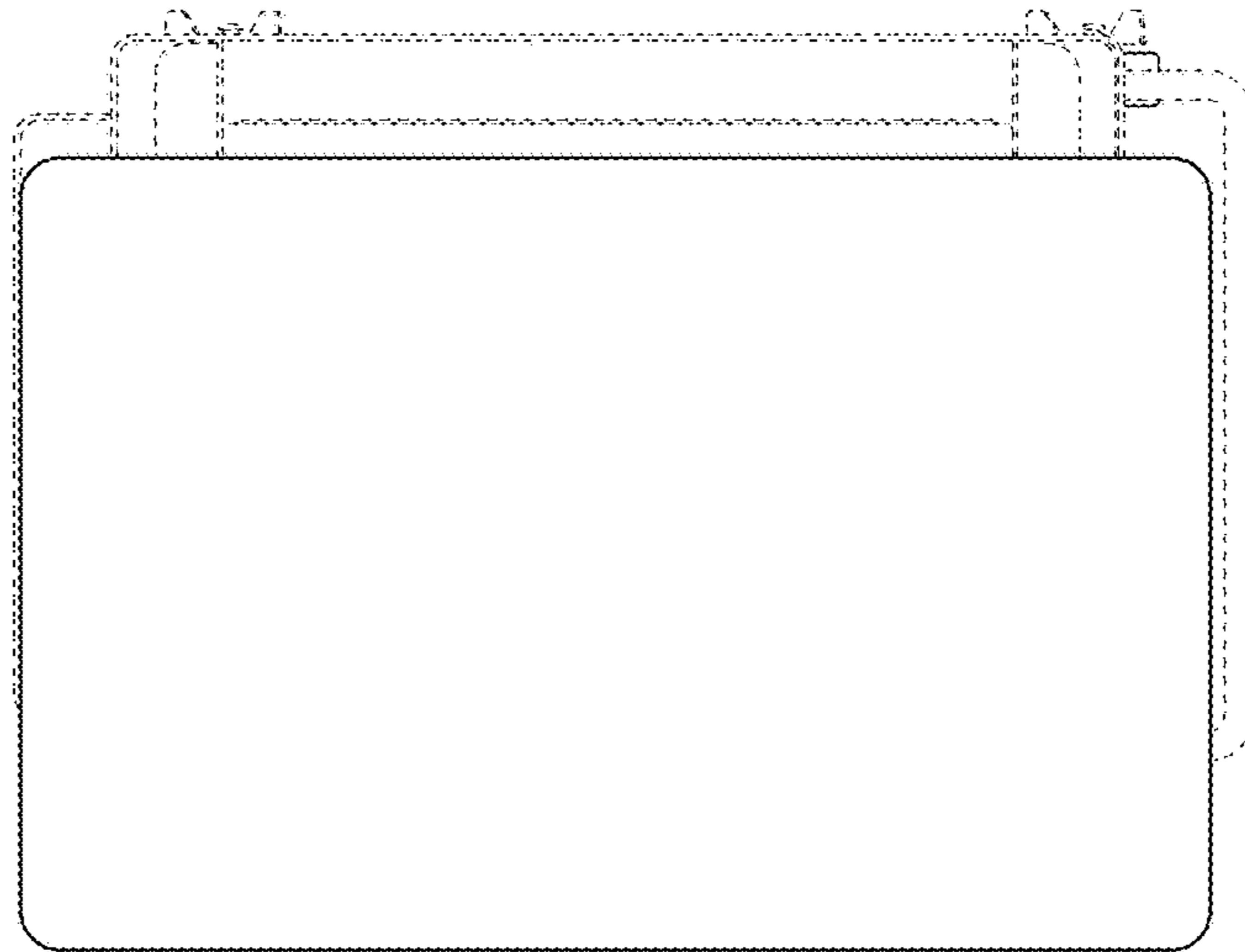


FIG. 27

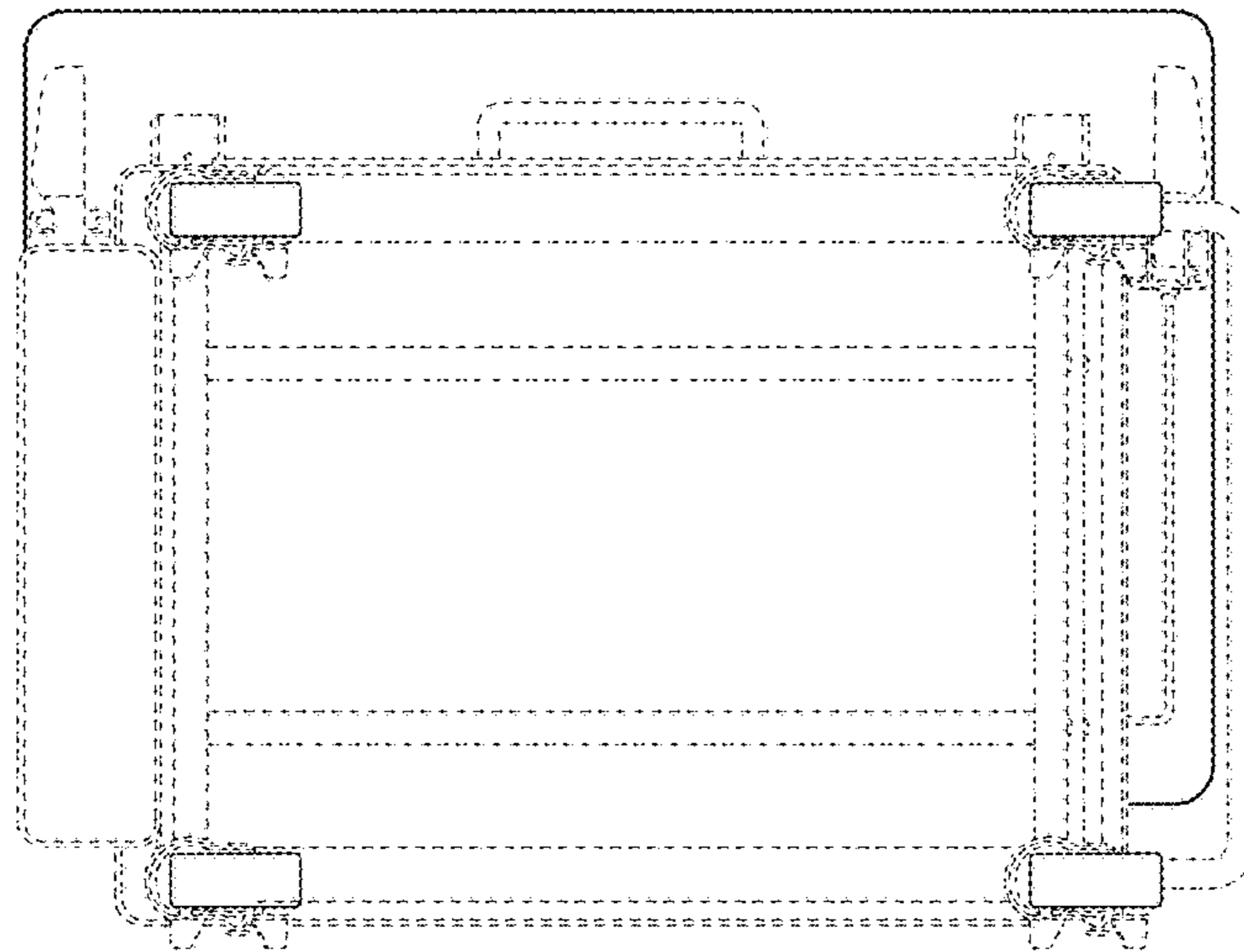


FIG. 28