



US00D851851S

(12) **United States Design Patent Grant** (10) **Patent No.:** **US D851,851 S**
(45) **Date of Patent:** **** Jun. 18, 2019**

(54) **WASTEBASKET**

9,617,073 B2 * 4/2017 McIntosh B65F 1/1607
D800,985 S * 10/2017 Bersch D34/1
2010/0116822 A1 * 5/2010 Perelli B65F 1/0053
220/4.03

(71) Applicant: **Erwyn Products Co., Inc.**,
Morganville, NJ (US)

* cited by examiner

(72) Inventor: **David Rustin Grant**, Shrewsbury, NJ
(US)

Primary Examiner — Cynthia Ramirez

Assistant Examiner — Gino Colan

(73) Assignee: **Erwyn Products Co., Inc.**,
Morganville, NJ (US)

(74) *Attorney, Agent, or Firm* — Dergosits & Noah LLP

(**) Term: **15 Years**

(57) **CLAIM**

The ornamental design for a wastebasket, as shown and described.

(21) Appl. No.: **29/615,500**

DESCRIPTION

(22) Filed: **Aug. 29, 2017**

(51) **LOC (11) Cl.** **09-09**

(52) **U.S. Cl.**
USPC **D34/1**

(58) **Field of Classification Search**
USPC D34/1-1.1, 3-11, 27, 19; 220/908, 23.4,
220/495.11, 495.1, 4.03, 495.08; D7/400,
D7/602; D3/304, 320, 306
CPC B65F 1/1473; B65F 1/004; B65F 1/0053;
B65F 1/1607; B62B 2202/028; B62B
2202/20
See application file for complete search history.

FIG. 1 is a perspective view of a first embodiment of a wastebasket showing my new design.

FIG. 2 is a perspective view of a second embodiment of a wastebasket showing my new design.

FIG. 3 is a perspective view of a third embodiment of a wastebasket showing my new design.

FIG. 4 is a perspective view of a fourth embodiment of a wastebasket showing my new design.

FIG. 5 is a perspective view of a fifth embodiment of a wastebasket showing my new design.

FIG. 6 is a perspective view of a sixth embodiment of a wastebasket showing my new design; and,

FIG. 7 is a perspective view of a seventh embodiment of a wastebasket showing my new design.

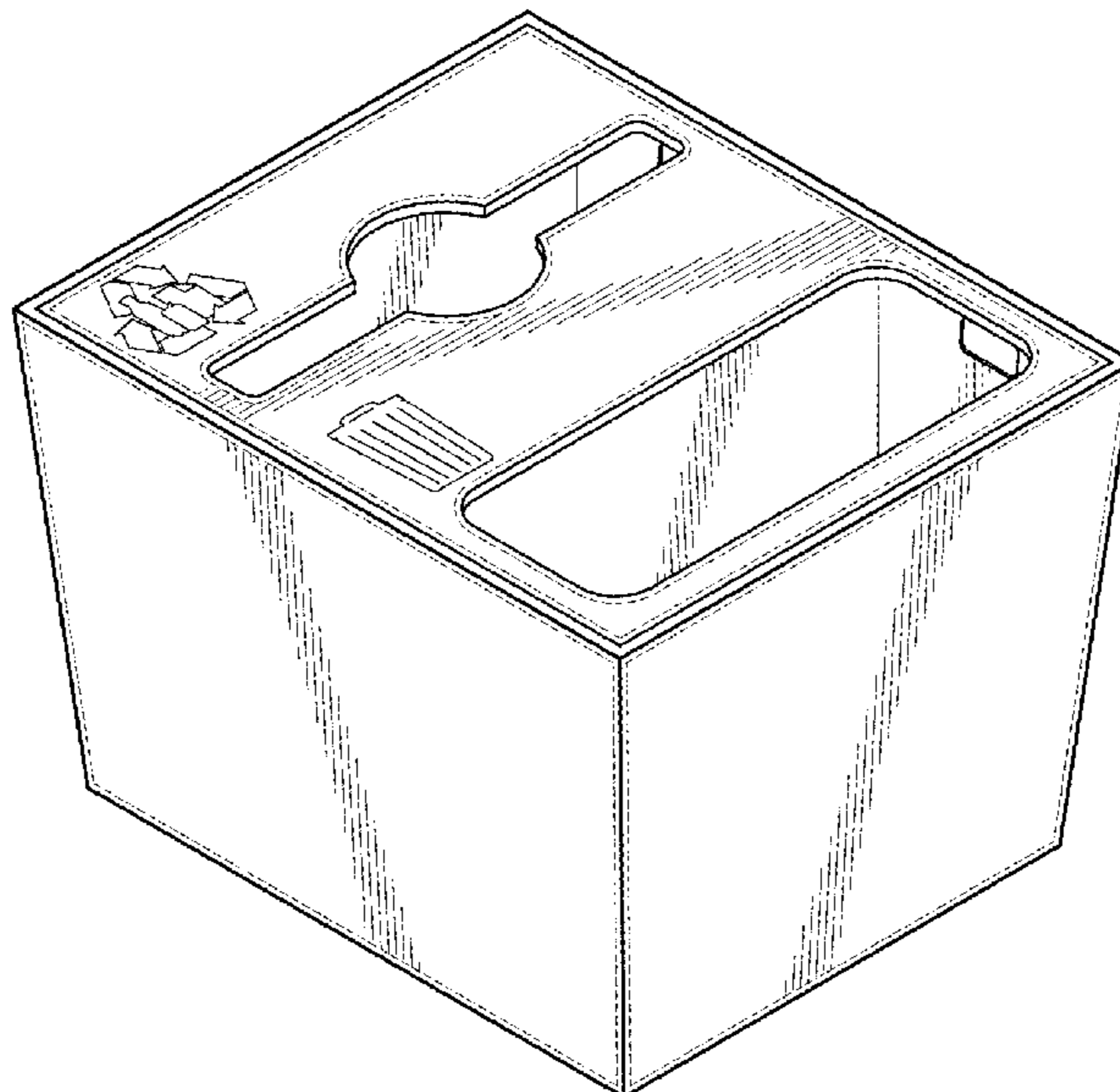
The broken lines about the perimeter of each of the two holes in the wastebasket lid, about the perimeter of the wastebasket lid, and about the perimeter of the front and right side of the wastebasket bottom are for the purpose of illustrating stitching and are part of the claimed design. The broken lines showing Recycle and Trash words and icons are for the purpose of illustrating environment and form no part of the claimed design.

(56) **References Cited**

U.S. PATENT DOCUMENTS

D324,282 S * 2/1992 Schnitzer D34/5
D579,617 S * 10/2008 Malczewski D34/1
D639,518 S * 6/2011 Zeulner D34/1
D668,414 S * 10/2012 McNay D34/7
D680,702 S * 4/2013 Bennie D34/1
D681,301 S * 4/2013 Bennie D34/1
D763,531 S * 8/2016 Mattern D34/7
9,611,092 B2 * 4/2017 Ditzler B65F 1/004

1 Claim, 7 Drawing Sheets



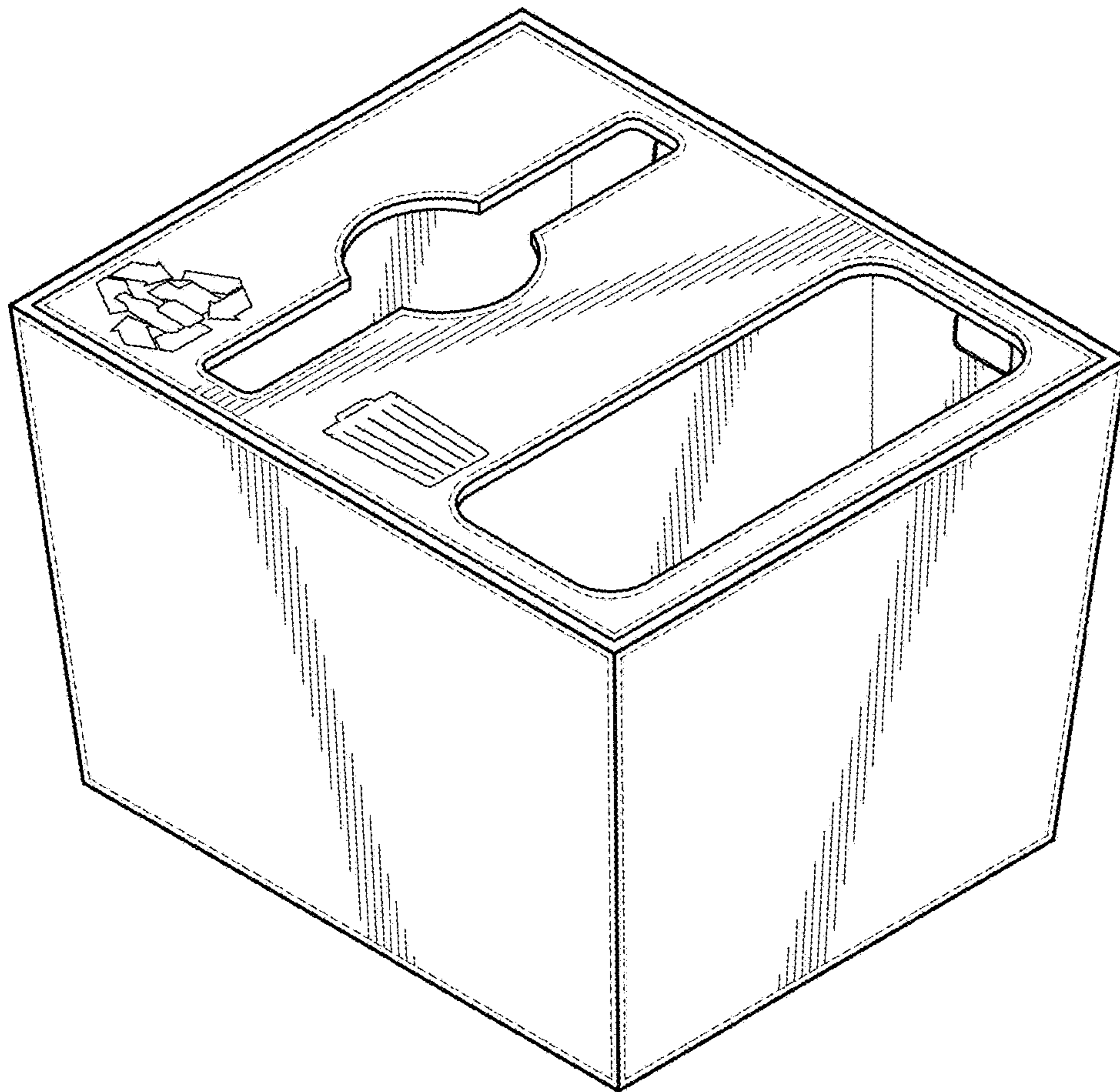


FIG. 1

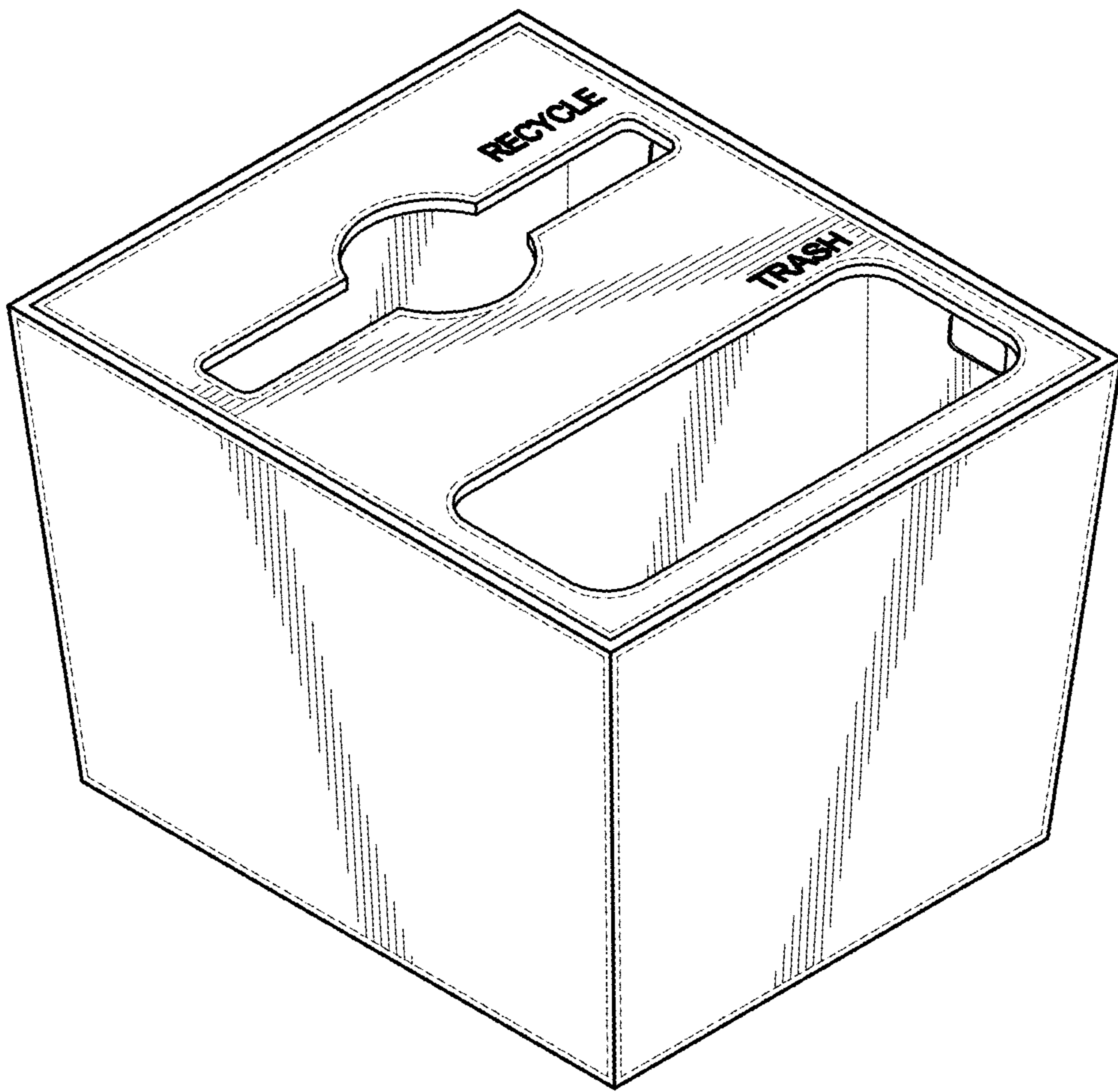


FIG. 2

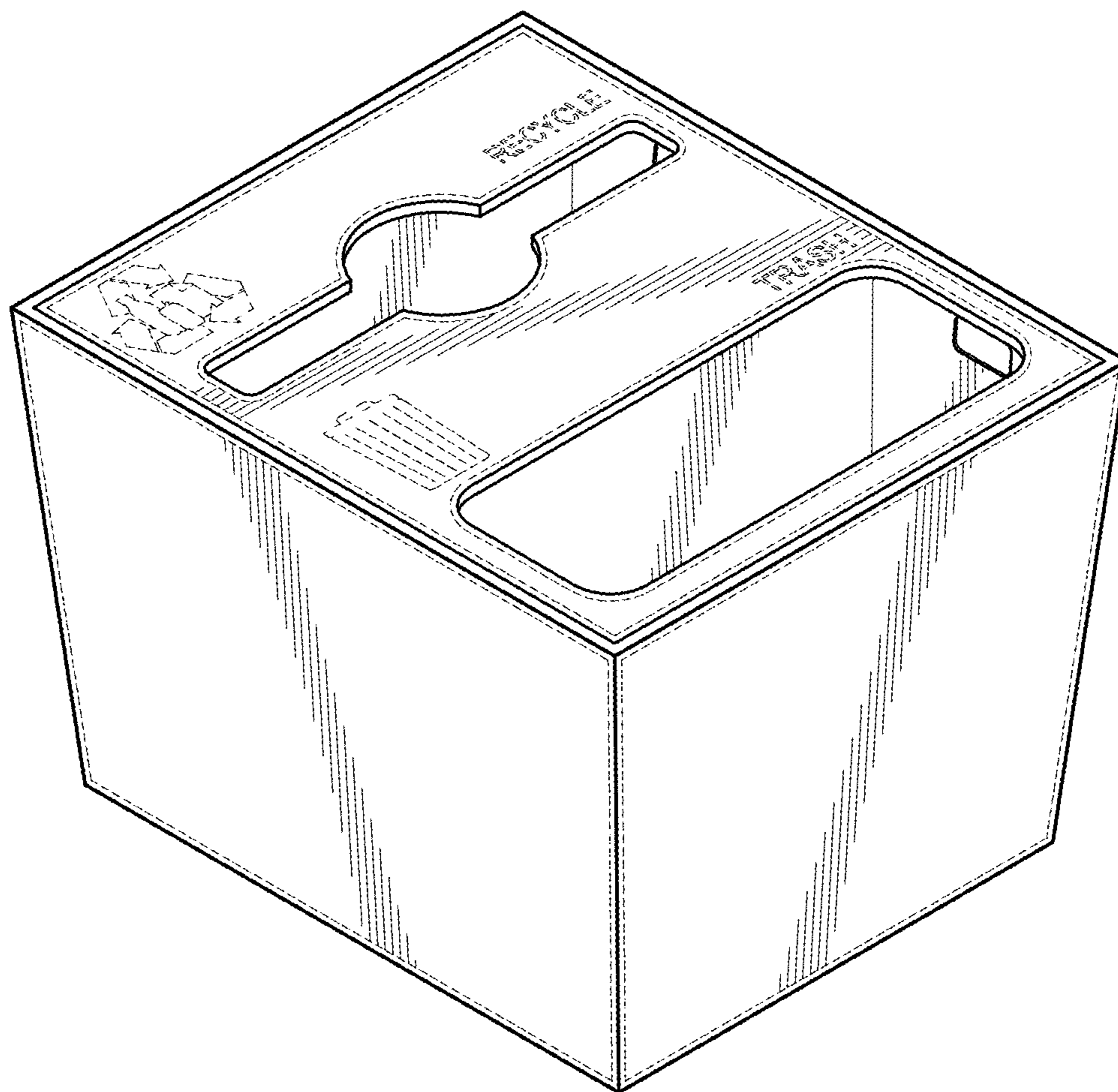


FIG. 3

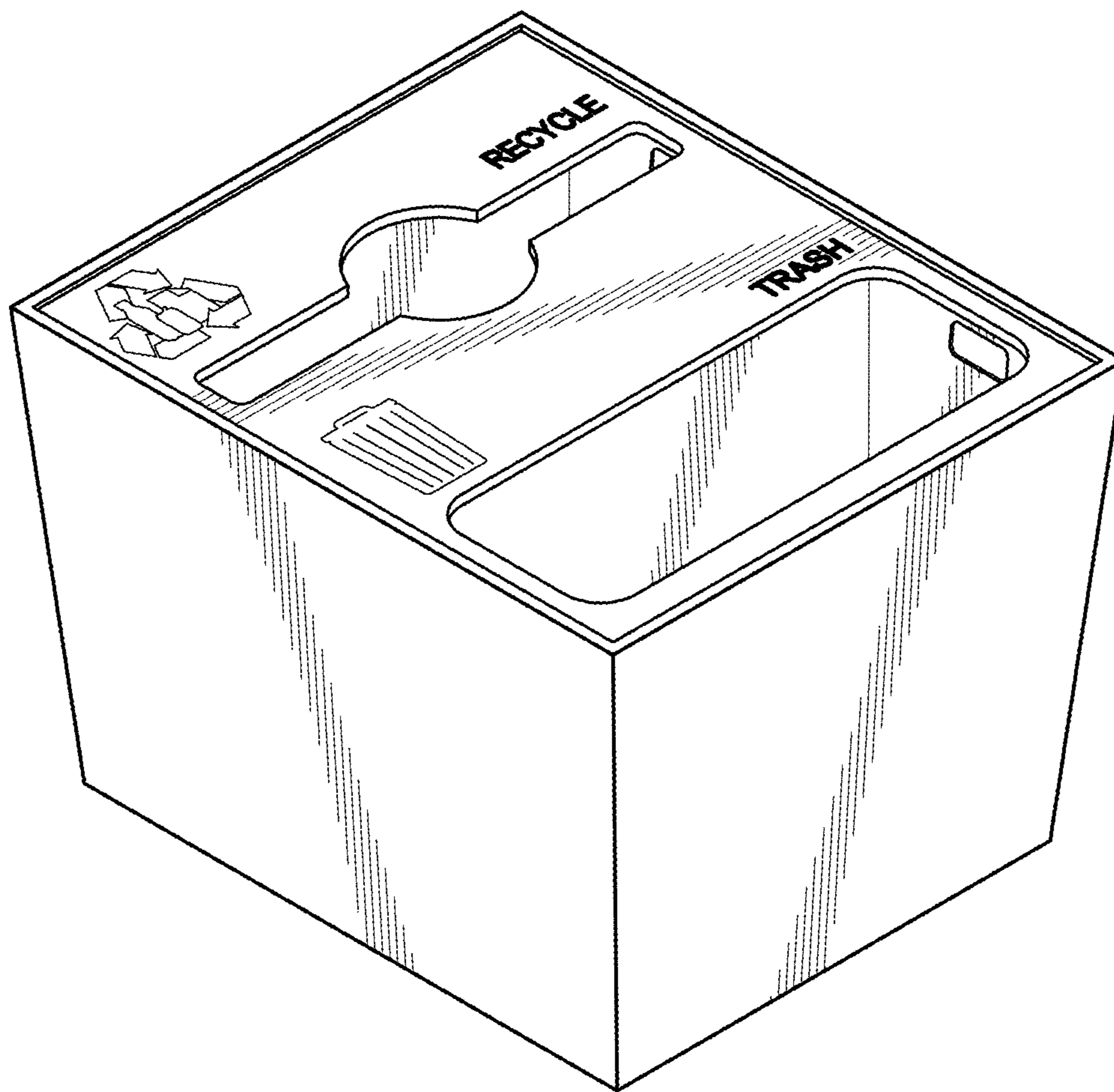


FIG. 4

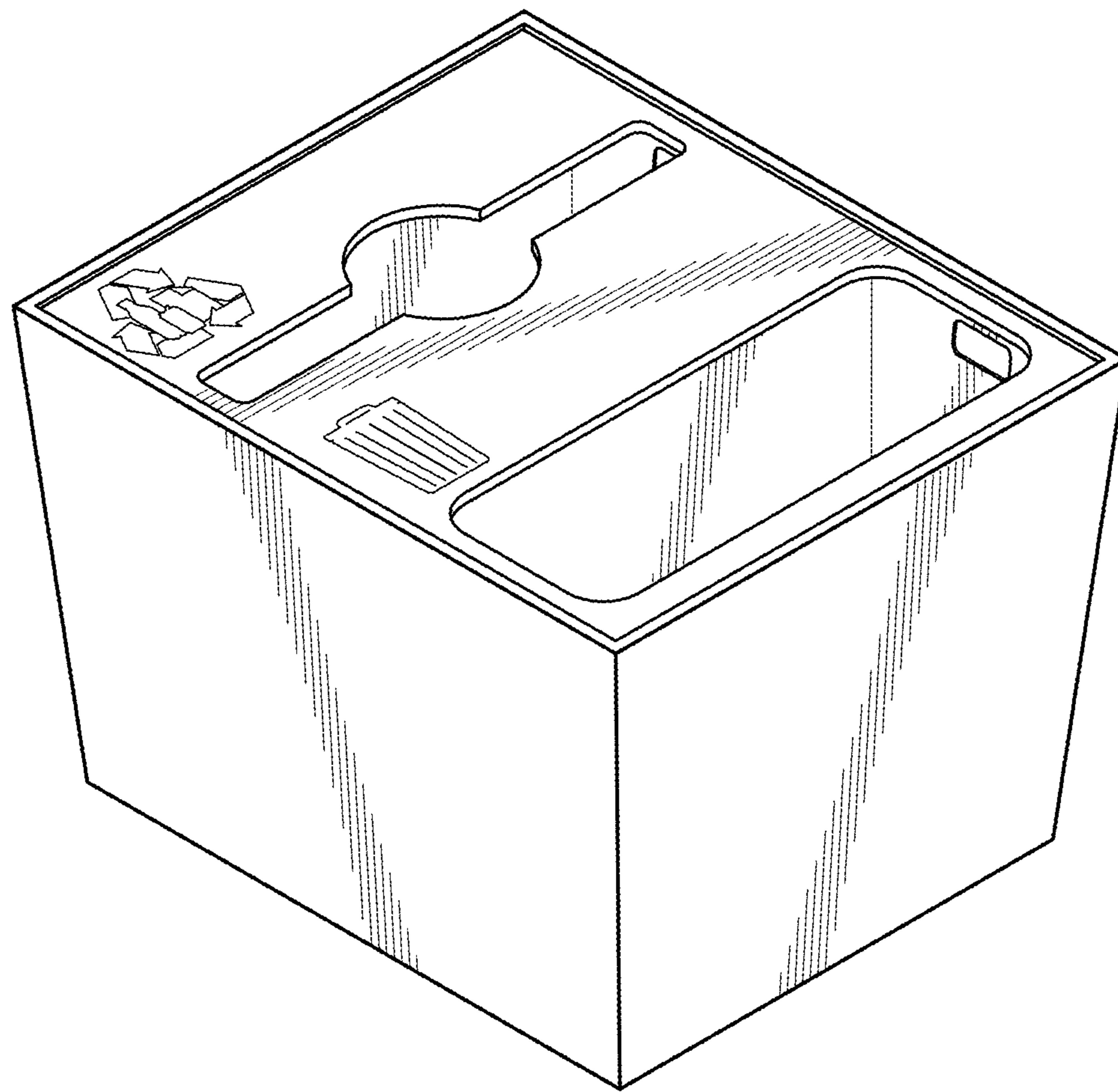


FIG. 5

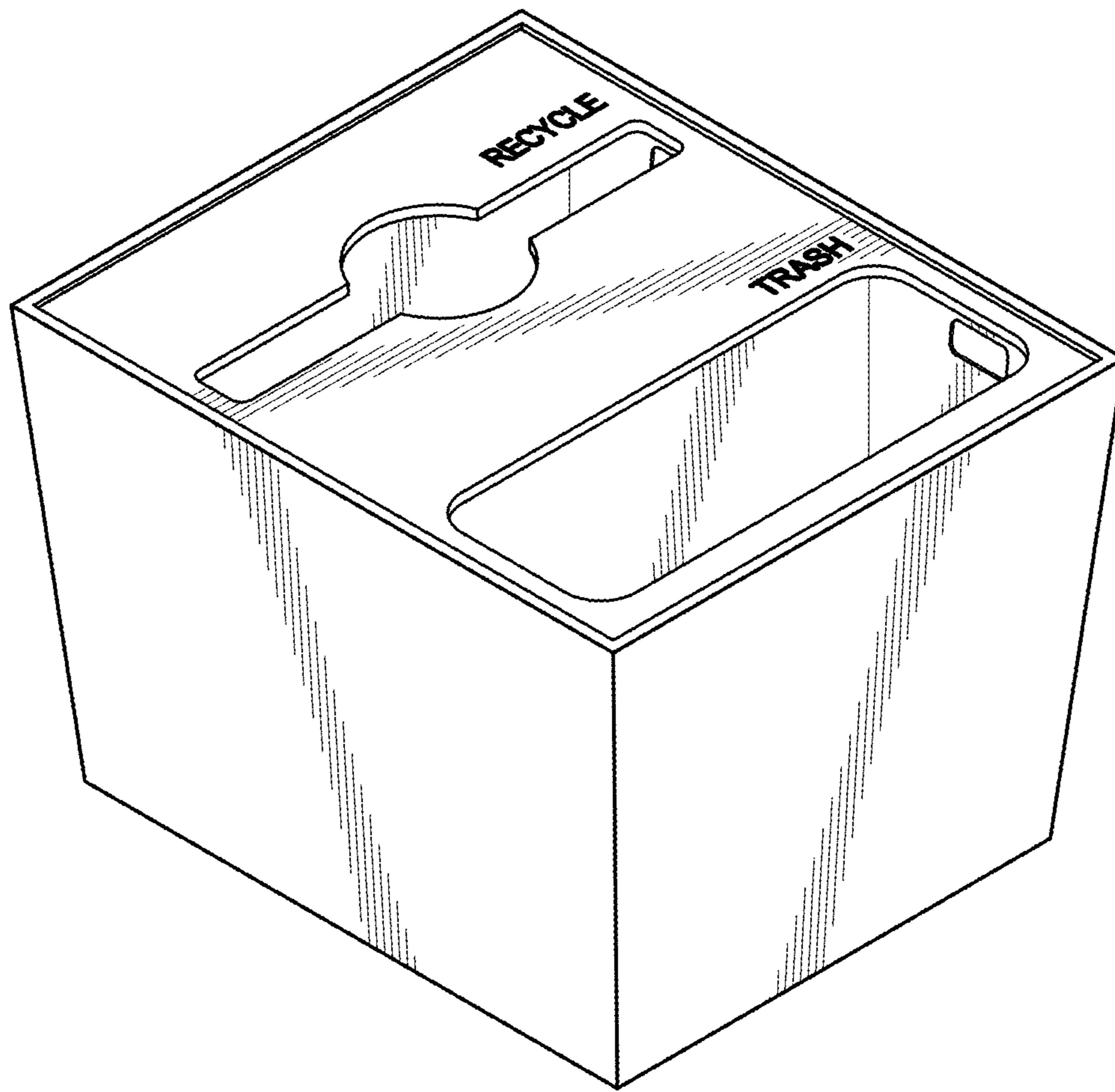


FIG. 6

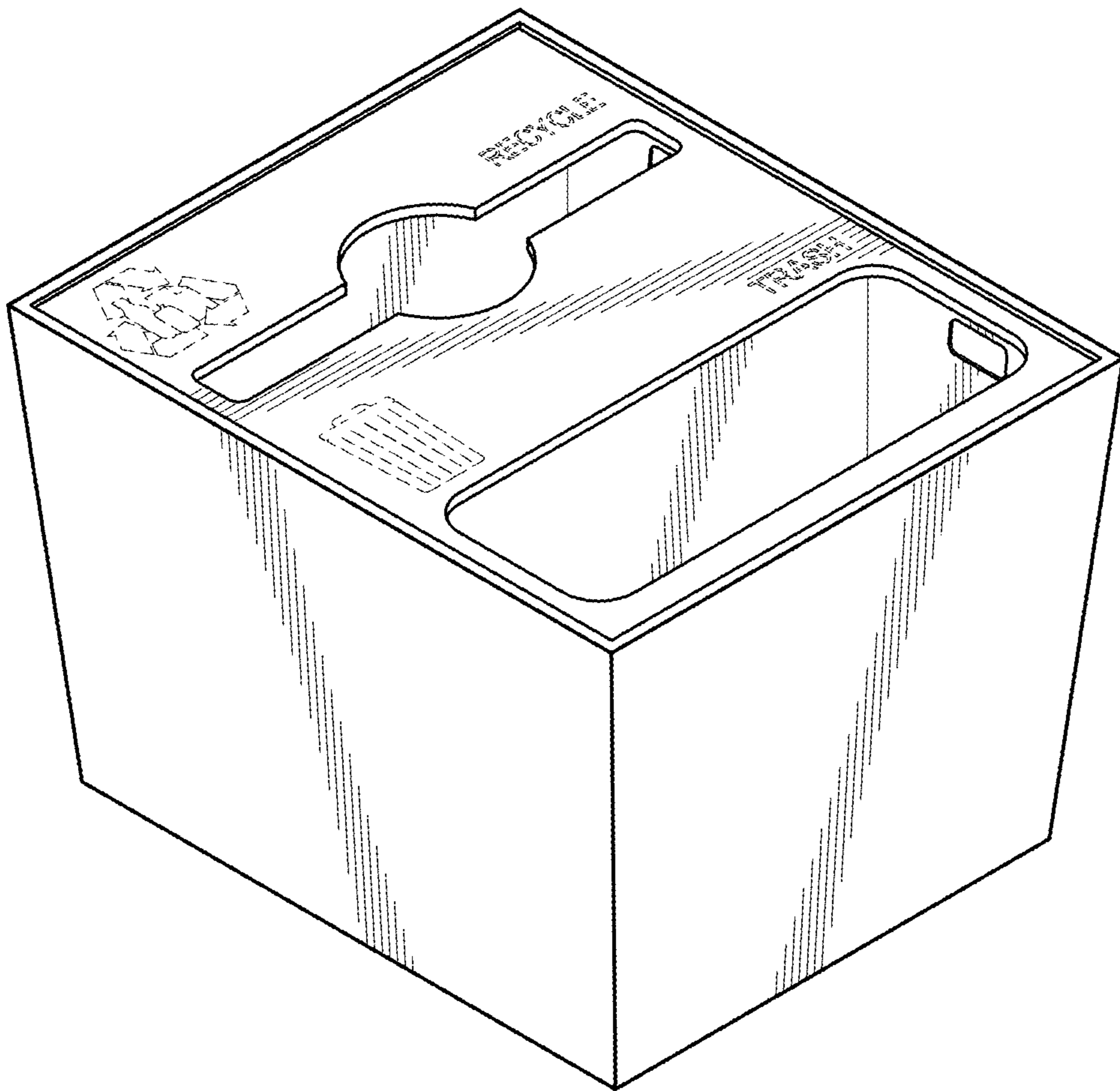


FIG. 7