



US00D851850S

(12) **United States Design Patent**  
**Baquedo-Phinn**

(10) **Patent No.:** **US D851,850 S**  
(45) **Date of Patent:** **\*\* Jun. 18, 2019**

- (54) **DISH DRAINER**
- (71) Applicant: **Sharon Baquedo-Phinn**, Jamaica, NY  
(US)
- (72) Inventor: **Sharon Baquedo-Phinn**, Jamaica, NY  
(US)
- (\*\*) Term: **15 Years**
- (21) Appl. No.: **29/674,006**
- (22) Filed: **Dec. 19, 2018**
- (51) **LOC (11) Cl.** ..... **07-05**
- (52) **U.S. Cl.**  
USPC ..... **D32/55**
- (58) **Field of Classification Search**  
USPC ..... D32/585, 276, 3; D6/510, 525;  
D30/133; 211/41.5, 41.4, 41.3, 41.8;  
312/311, 333, 334.4; D7/354, 629  
CPC .. A47L 15/505; A47L 15/503; A47L 15/0013;  
A47L 19/02; A47L 19/04; A47J 47/20  
See application file for complete search history.

D344,828 S *	3/1994	Adams	.....	D32/56
D344,848 S	3/1994	Smith		
D347,717 S *	6/1994	Chapin	.....	D32/55
D376,882 S	12/1996	Cook		
5,588,539 A	12/1996	Belden		
D397,534 S	8/1998	Alvarez		
D446,370 S *	8/2001	Avila Adikimenakis	.....	D32/56
6,367,636 B1	4/2002	Walker		
7,748,543 B2	7/2010	Yang		
D734,581 S *	7/2015	Eby	.....	D32/56
D755,459 S *	5/2016	Erby	.....	D32/56
D776,387 S *	1/2017	Chen	.....	D32/56
2004/0238464 A1	12/2004	Cheung		
2012/0138550 A1	6/2012	Wisniewski		

\* cited by examiner

*Primary Examiner* — Austin Murphy

(57) **CLAIM**

The ornamental design for a dish drainer, as shown and described.

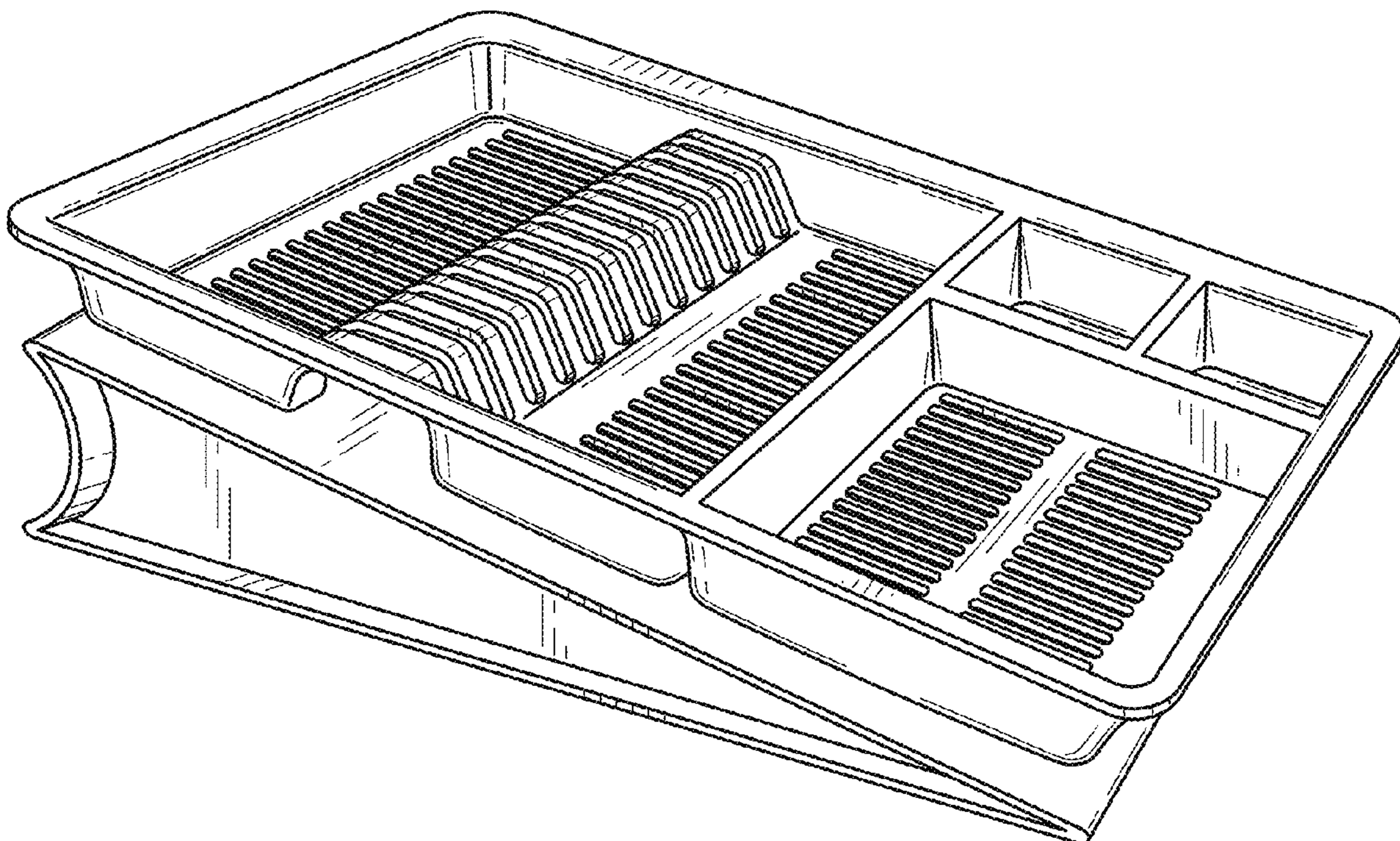
**DESCRIPTION**

FIG. 1 is a front view of a dish drainer showing my new design;  
 FIG. 2 is a rear view of the dish drainer;  
 FIG. 3 is a right side view of the dish drainer;  
 FIG. 4 is a left side view of the dish drainer;  
 FIG. 5 is a top view of the dish drainer;  
 FIG. 6 is a bottom view of the dish drainer;  
 FIG. 7 is a top front side perspective view of the dish drainer; and,  
 FIG. 8 is a top front side perspective view of the dish drainer.

**1 Claim, 6 Drawing Sheets**

(56) **References Cited**  
U.S. PATENT DOCUMENTS

1,224,838 A	5/1917	Struse		
D174,298 S *	3/1955	Timmons	.....	4/520
D205,833 S *	9/1966	Gardner	.....	D32/56
D267,125 S *	11/1982	Luoma	.....	D32/56
D274,568 S *	7/1984	Carrothers	.....	D32/56
D288,374 S *	2/1987	Ikeda	.....	D32/56
5,119,943 A	5/1992	Hoang		
D337,186 S *	7/1993	Drach	.....	D32/56



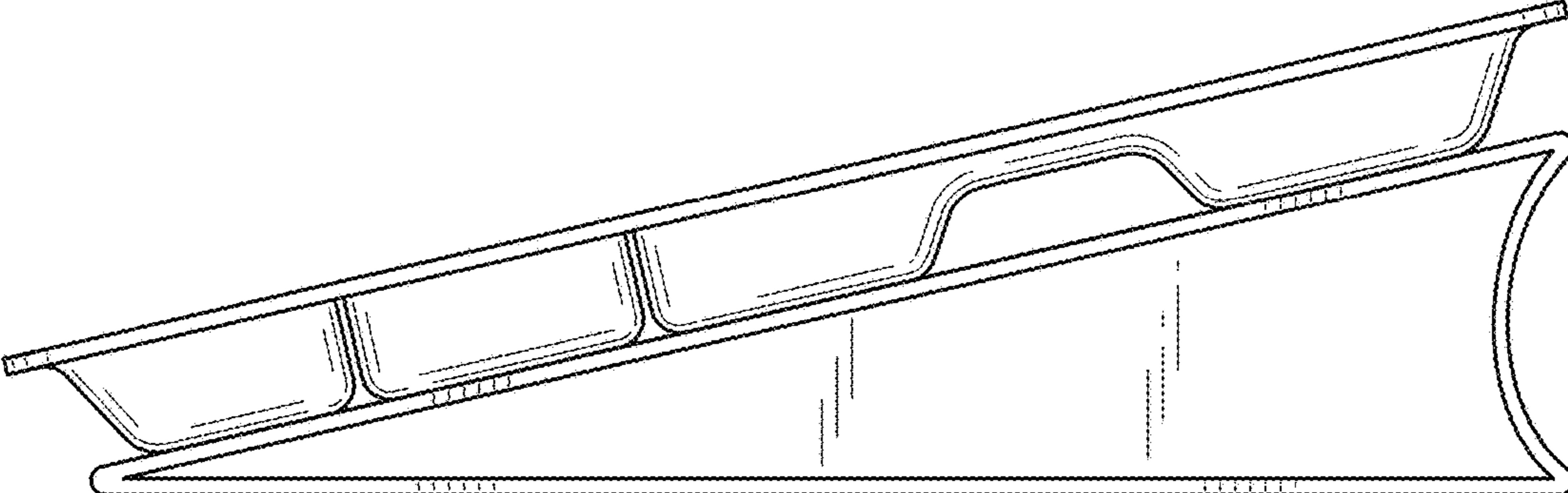


FIG. 1

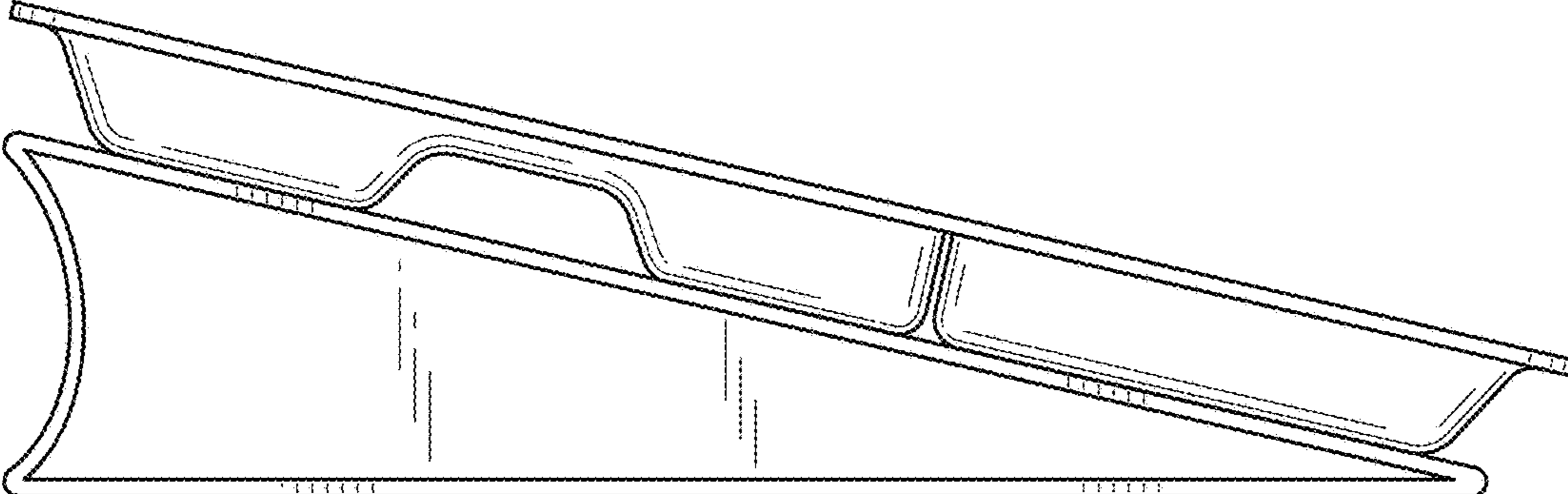


FIG. 2

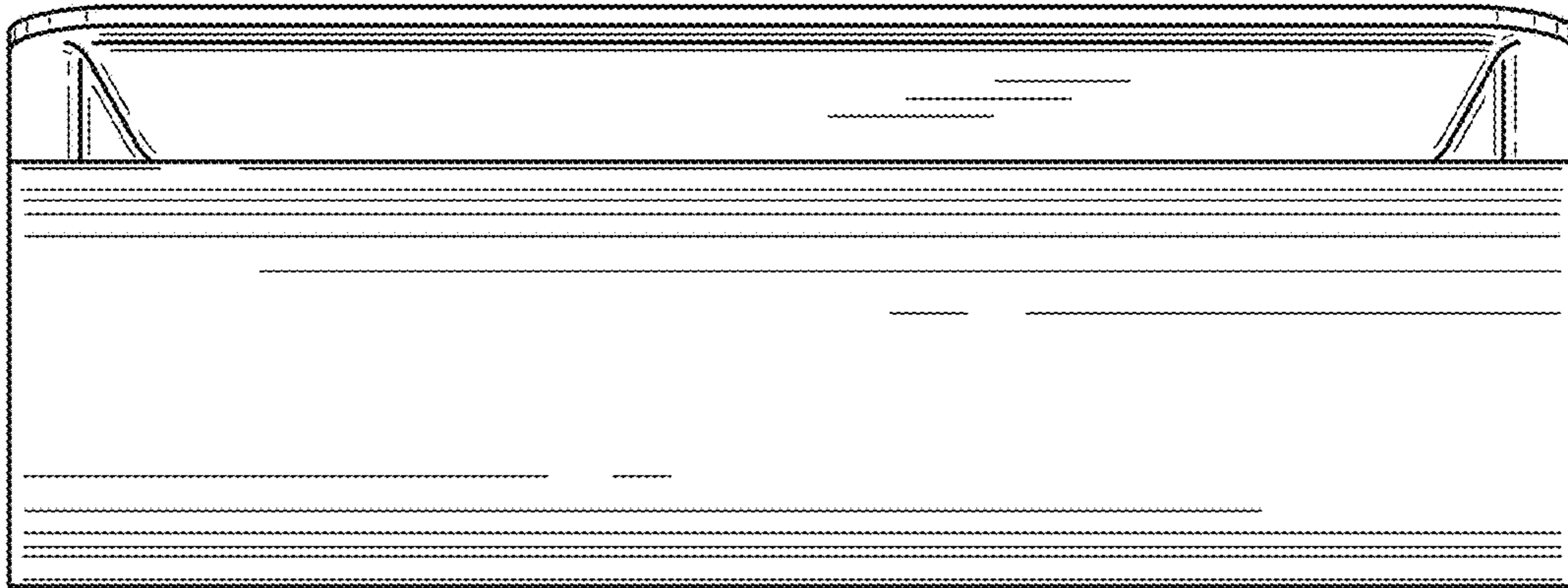


FIG. 3



FIG. 4



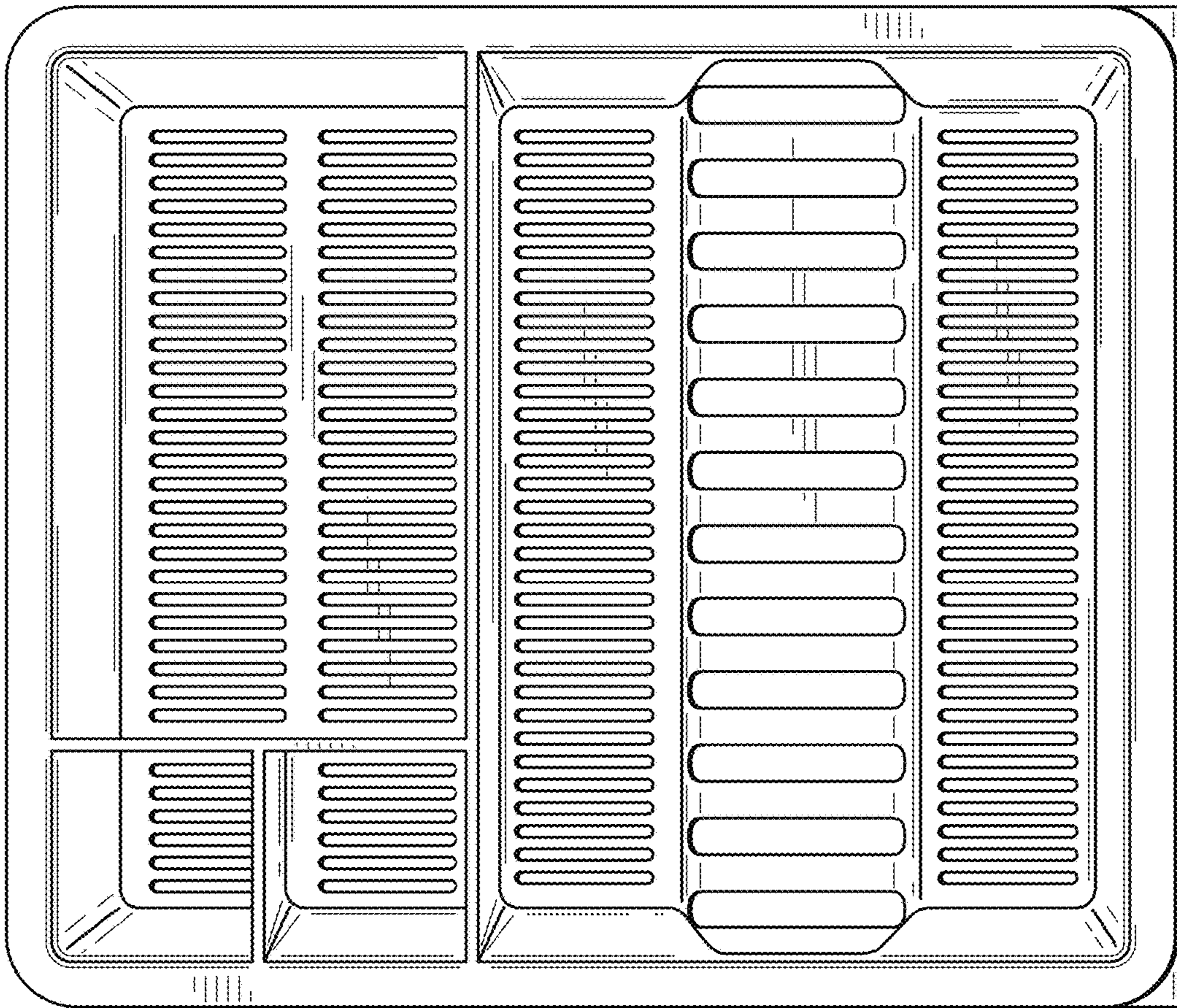


FIG. 5

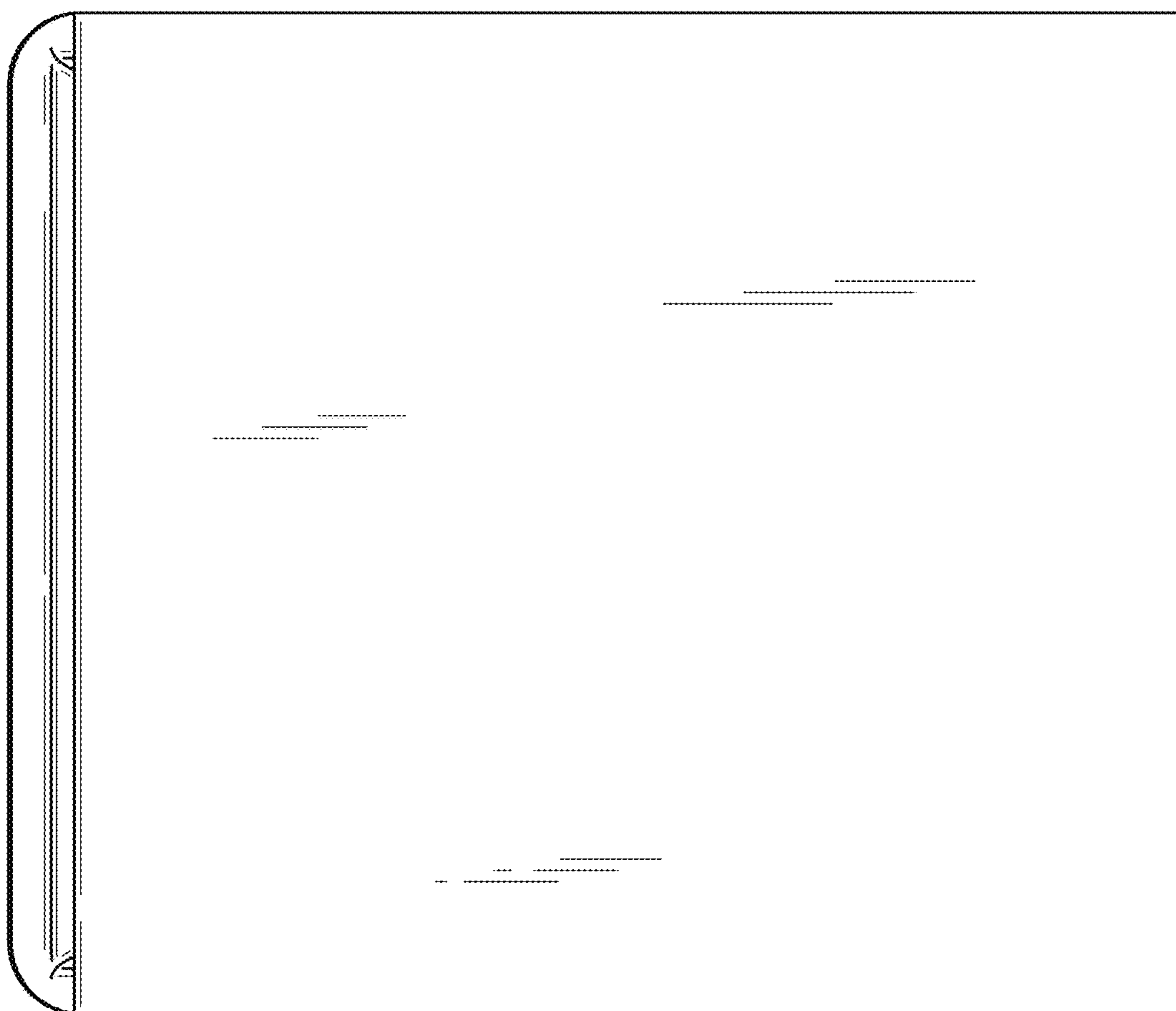


FIG. 6

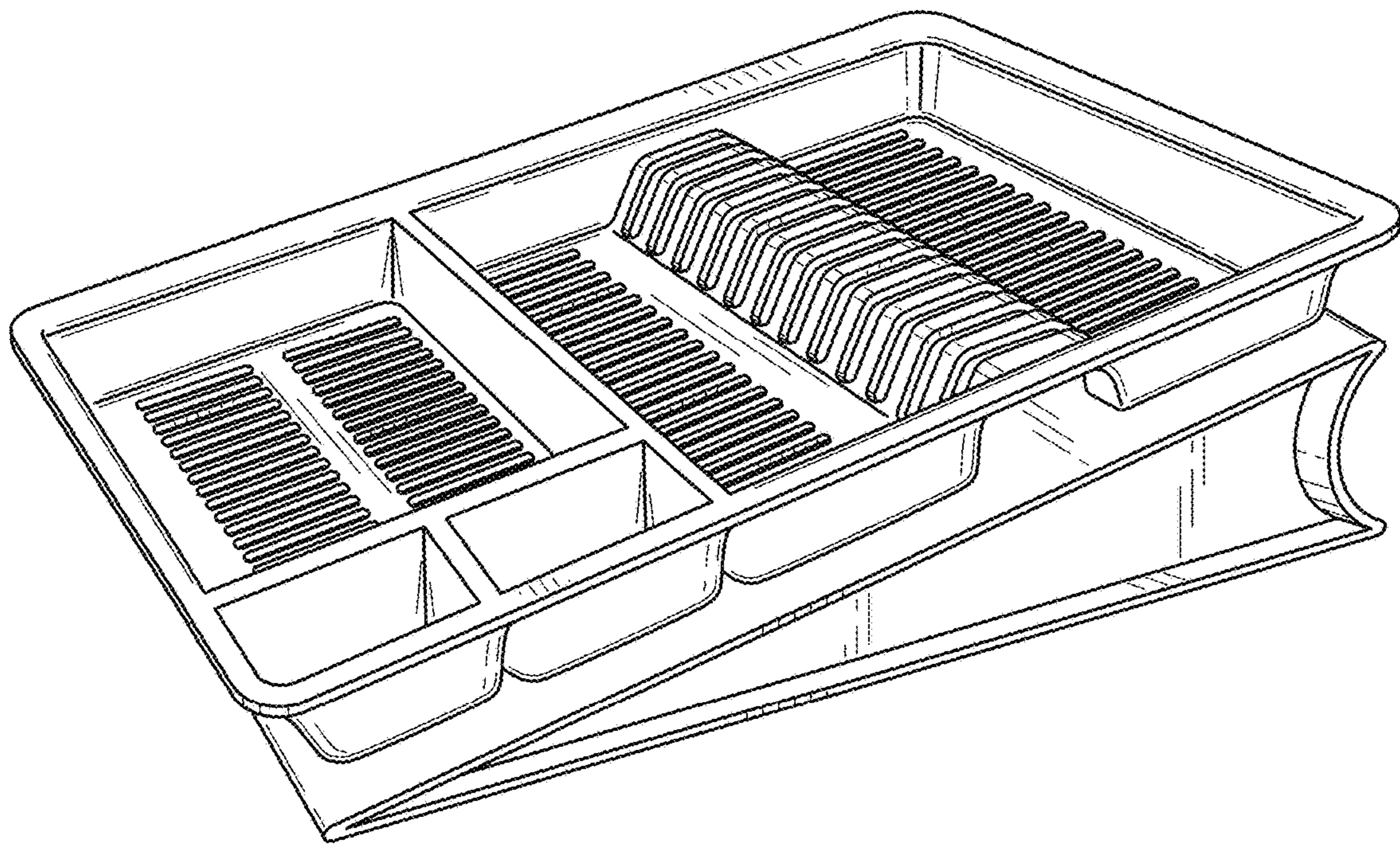


FIG. 7



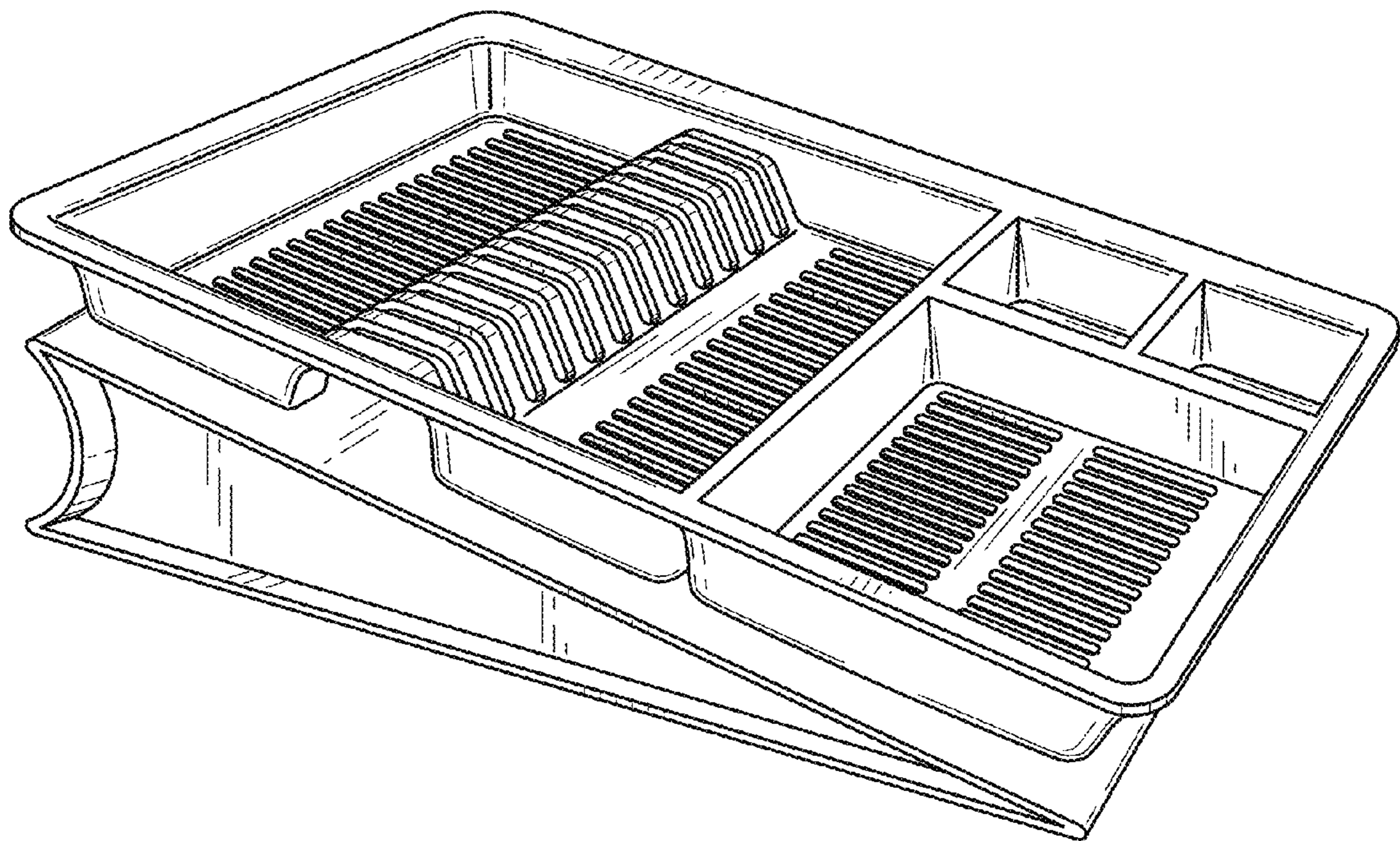


FIG. 8