



US00D851848S

(12) **United States Design Patent** (10) **Patent No.:** **US D851,848 S**
Yoo et al. (45) **Date of Patent:** **** Jun. 18, 2019**

(54) **LAUNDRY SINK WITH MINI WASHING MACHINE**

Primary Examiner — Khawaja Anwar
(74) *Attorney, Agent, or Firm* — Birch, Stewart, Kolasch & Birch, LLP

(71) Applicant: **LG ELECTRONICS INC.**, Seoul (KR)

(57) **CLAIM**

(72) Inventors: **Taewoo Yoo**, Seoul (KR); **Junghwan Lee**, Seoul (KR); **Kyungah Lee**, Seoul (KR); **Hyewon Kim**, Seoul (KR); **Jeaseok Seong**, Seoul (KR)

The ornamental design for a laundry sink with mini washing machine, as shown and described.

(73) Assignee: **LG ELECTRONICS INC.**, Seoul (KR)

DESCRIPTION

(**) Term: **15 Years**

(21) Appl. No.: **35/504,095**

(22) Filed: **Jun. 5, 2017**

(80) **Hague Agreement Data**

Int. Filing Date: **Jun. 5, 2017**
Int. Reg. No.: **DM/097742**
Int. Reg. Date: **Jun. 5, 2017**
Int. Reg. Pub. Date: **Dec. 8, 2017**

- 1. Laundry sink with mini washing machine
- 1.1 : Perspective
- 1.2 : Front
- 1.3 : Back
- 1.4 : Left
- 1.5 : Right
- 1.6 : Top
- 1.7 : Bottom
- 1.8 : Perspective
- 1.9 : Front
- 1.10 : Back
- 1.11 : Left
- 1.12 : Right
- 1.13 : Top
- 1.14 : Bottom

(30) **Foreign Application Priority Data**

Dec. 5, 2016 (KR) 30-2016-0058848

(51) **LOC (11) Cl.** **15-05**

(52) **U.S. Cl.**
USPC **D32/25**

(58) **Field of Classification Search**
USPC D32/2, 6-13, 55, 56, 58; D23/271, 273, D23/284, 286, 308

(Continued)

(56) **References Cited**

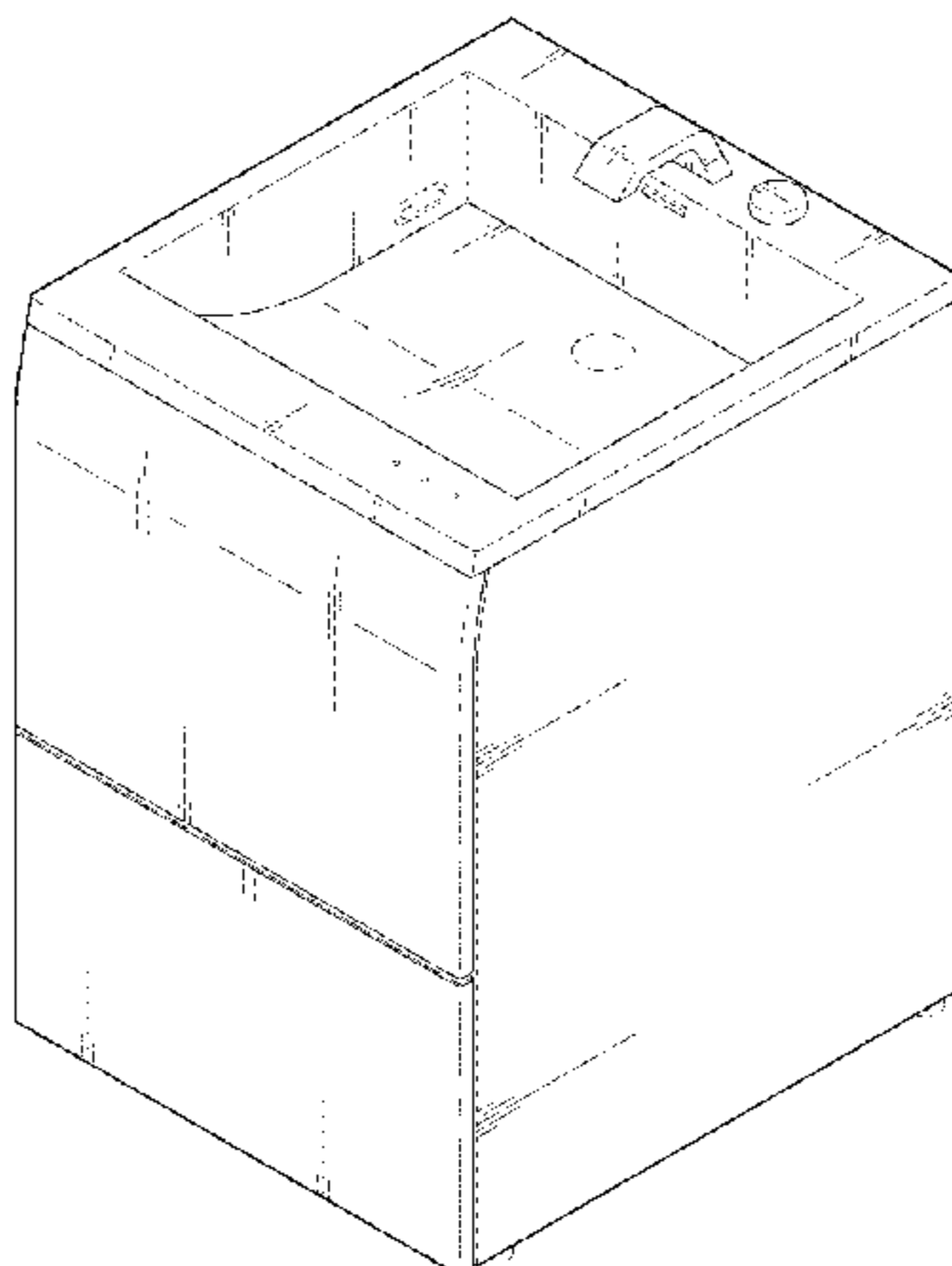
U.S. PATENT DOCUMENTS

D464,330 S * 10/2002 Zarker, Jr. D23/286
D598,525 S * 8/2009 Ferris D23/286

(Continued)

The broken lines depict portions of the laundry sink with mini washing machine that form no part of the claimed design; reproduction 1.1 is a front perspective view of the laundry sink with mini washing machine; reproduction 1.8 is a front perspective view thereof in a condition that the bottom drawer, in which a mini washing machine is installed, is open; reproductions 1.2 and 1.9 are front views of reproductions 1.1 and 1.8, respectively; reproductions 1.3 and 1.10 are back views of reproductions 1.1 and 1.8, respectively; reproductions 1.4 and 1.11 are left views of reproductions 1.1 and 1.8, respectively; reproductions 1.5 and 1.12 are right views of reproductions 1.1 and 1.8, respectively; reproductions 1.6 and 1.13 are top views of reproductions 1.1 and 1.8, respectively; reproductions 1.7 and 1.14 are bottom views of reproductions 1.1 and 1.8, respectively.

1 Claim, 14 Drawing Sheets



(58) **Field of Classification Search**

CPC D06F 33/02; D06F 39/14; D06F 37/304;
D06F 39/005; D06F 39/12; D06F 37/04;
D06F 39/02; D06F 29/00; D06F 37/203;
D06F 37/28; D06F 37/30; D06F 58/02;
D06F 2204/065; D06F 2222/00; D06F
29/005; D06F 29/02; D06F 31/00; D06F
33/00; D06F 37/10; D06F 37/12; D06F
37/36; D06F 58/206; D06F 58/22; D06F
58/24; D06F 17/08; D06F 1/04; D06F
2058/2803; D06F 2202/00; D06F
2202/02; D06F 2202/065; D06F 2202/12;
D06F 2204/02; D06F 2204/086; D06F
2224/00; D06F 2232/00; D06F 2232/08;
D06F 23/04; D06F 35/00; D06F 35/005;
D06F 35/006; D06F 35/007; D06F 37/00;
D06F 37/02; D06F 37/225; D06F 37/263;

D06F 37/266; D06F 37/268; D06F 37/40;
D06F 37/42; D06F 39/003; D06F 39/004;
D06F 39/007; D06F 39/08; D06F 39/088;
D06F 39/125; D06F 58/203; D06F 58/28;
D06F 81/06

See application file for complete search history.

(56)

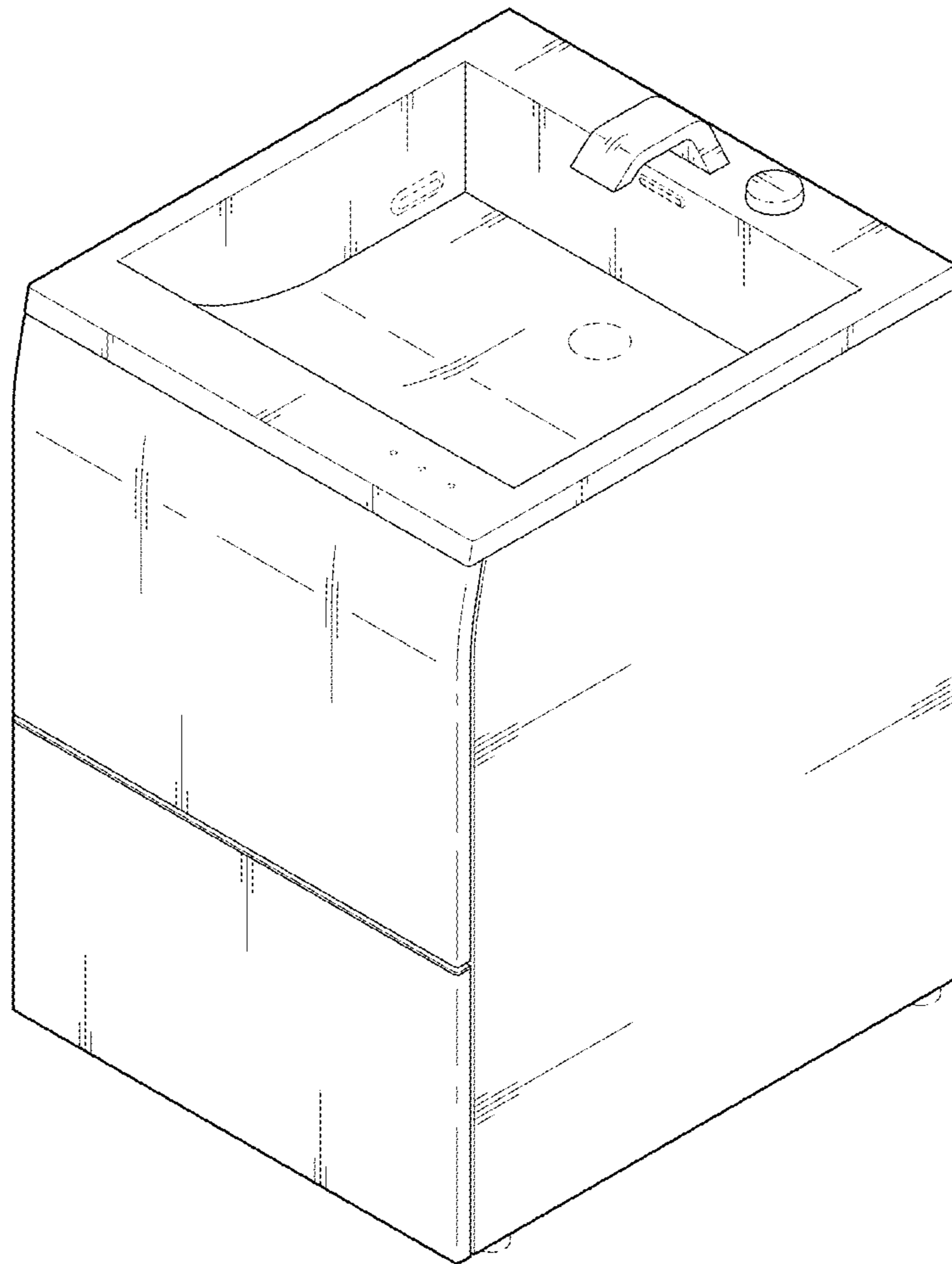
References Cited

U.S. PATENT DOCUMENTS

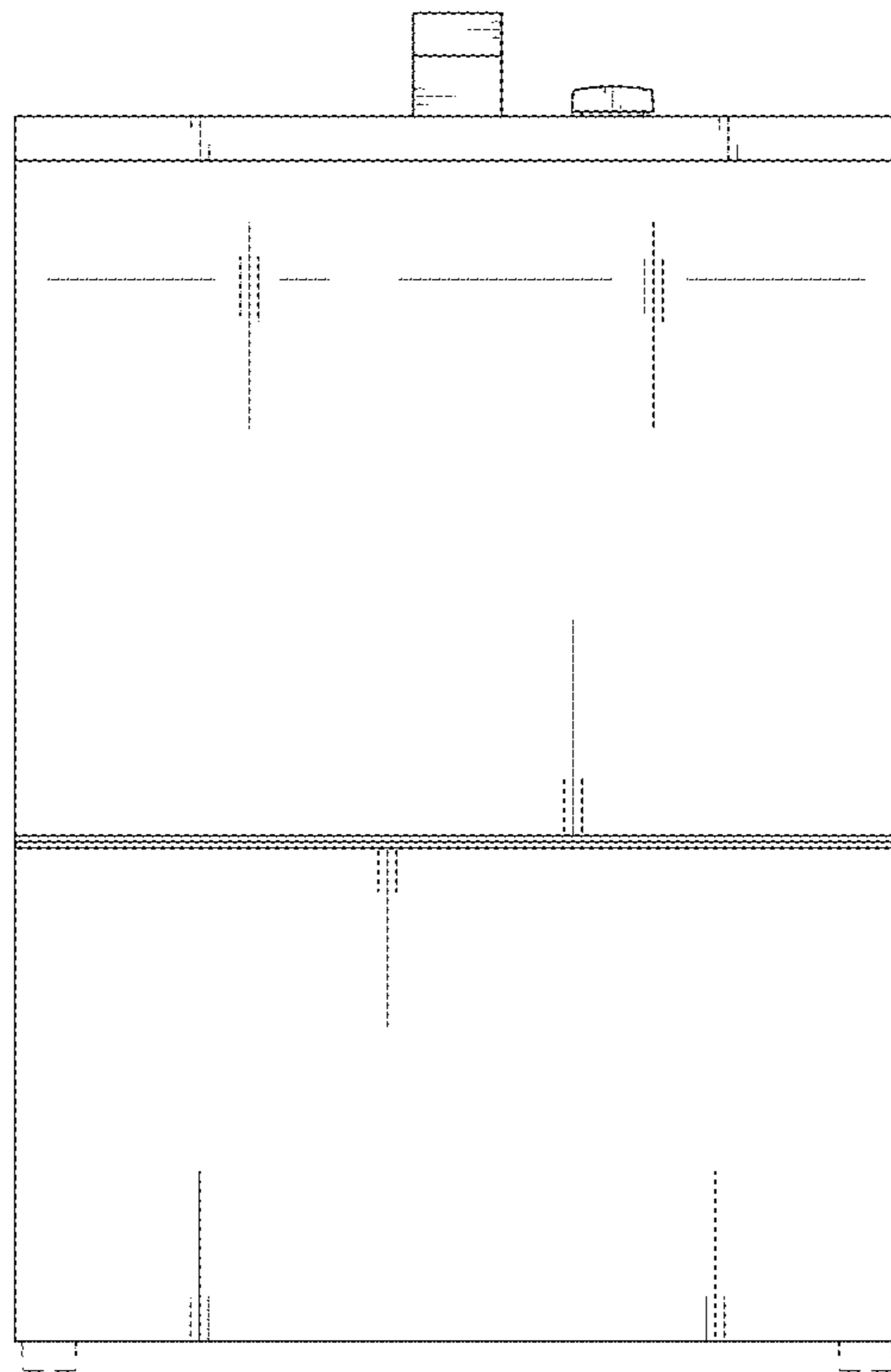
D781,005	S	*	3/2017	Jang	D32/6
D781,006	S	*	3/2017	Jang	D32/6
D792,035	S	*	7/2017	Chung	D32/6
D794,265	S	*	8/2017	Chung	D32/6
D811,028	S	*	2/2018	Ha	D32/25
D813,359	S	*	3/2018	Corbetta	D23/286

* cited by examiner

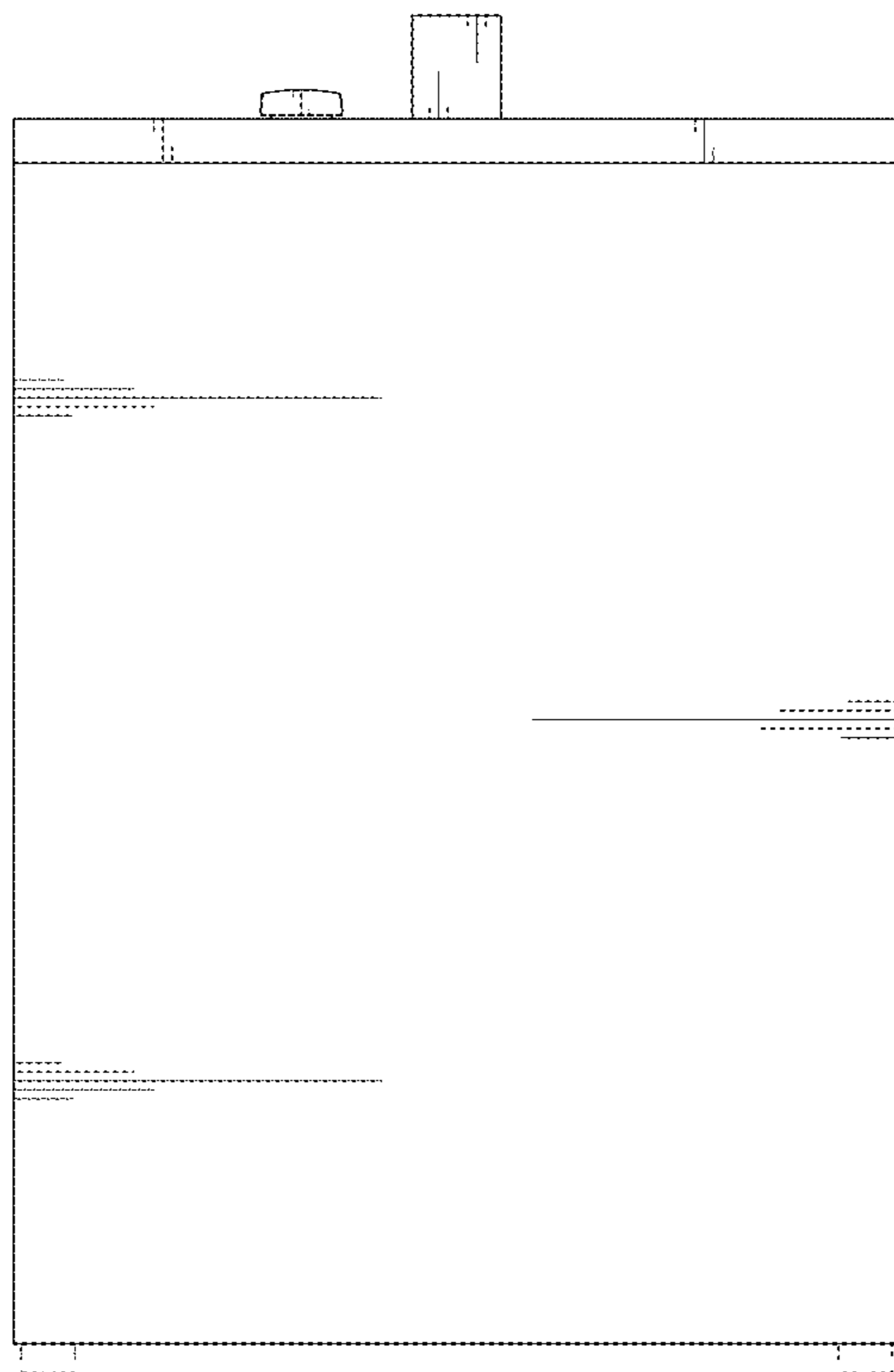
1.1



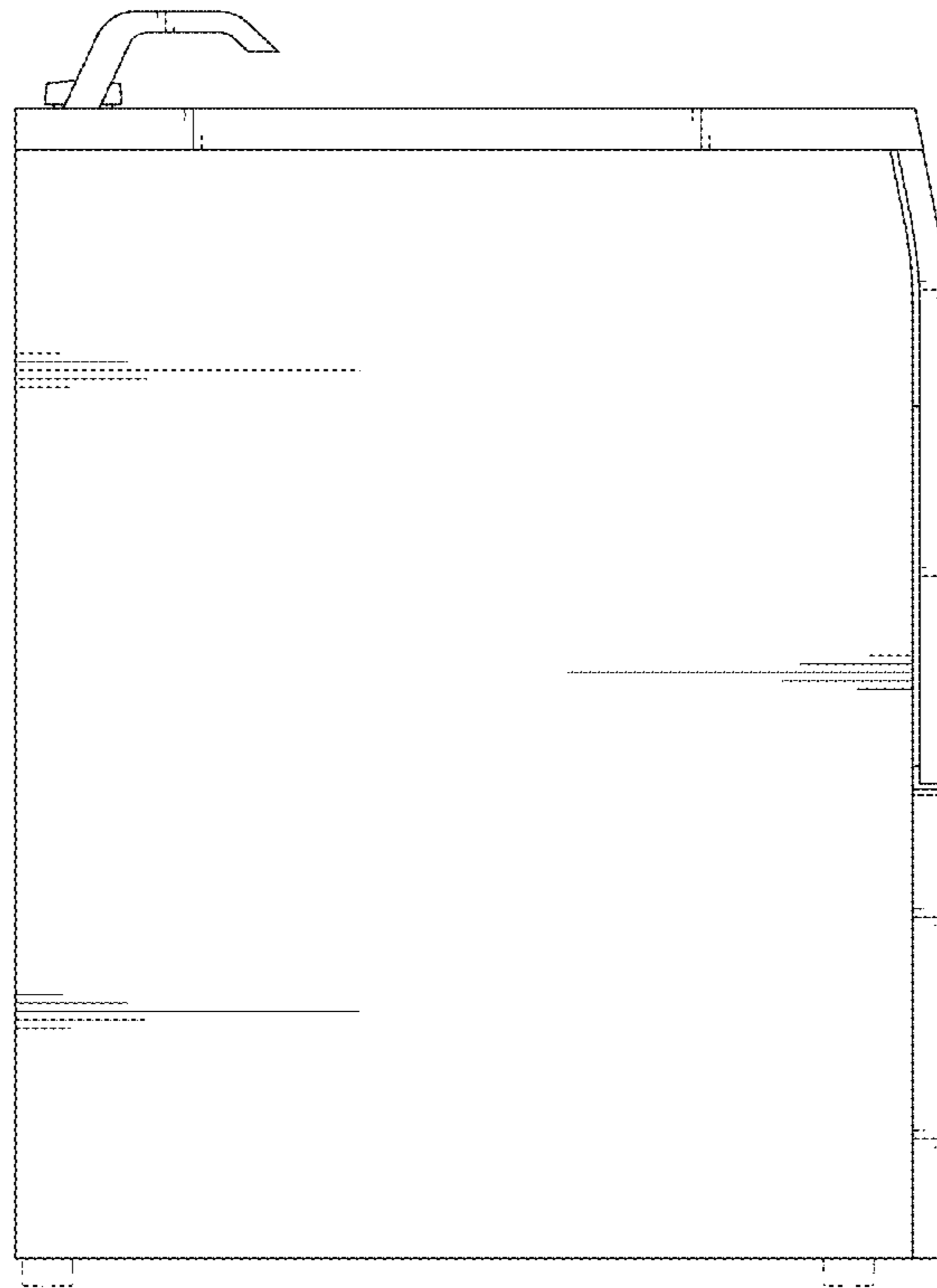
1.2



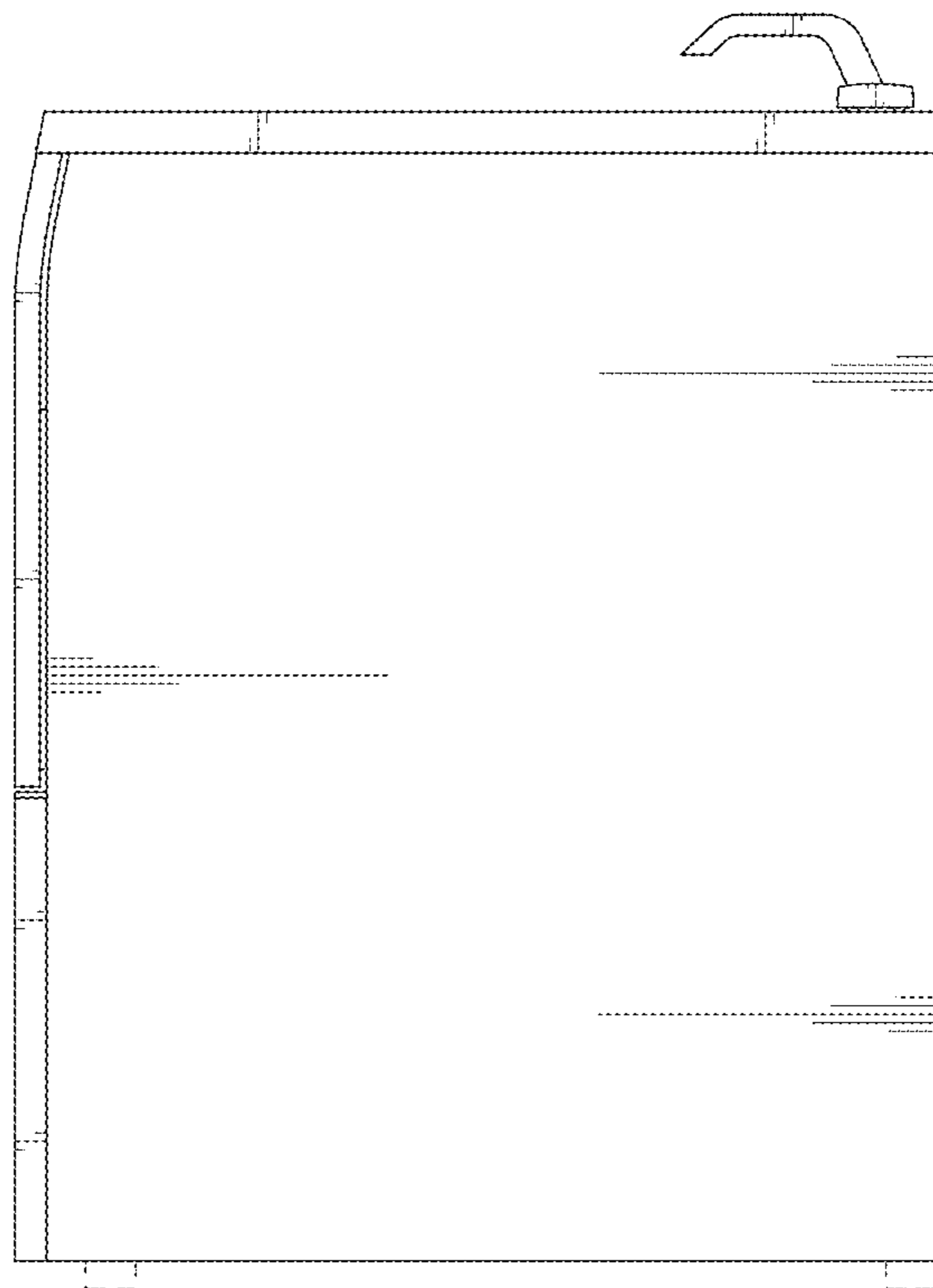
1.3



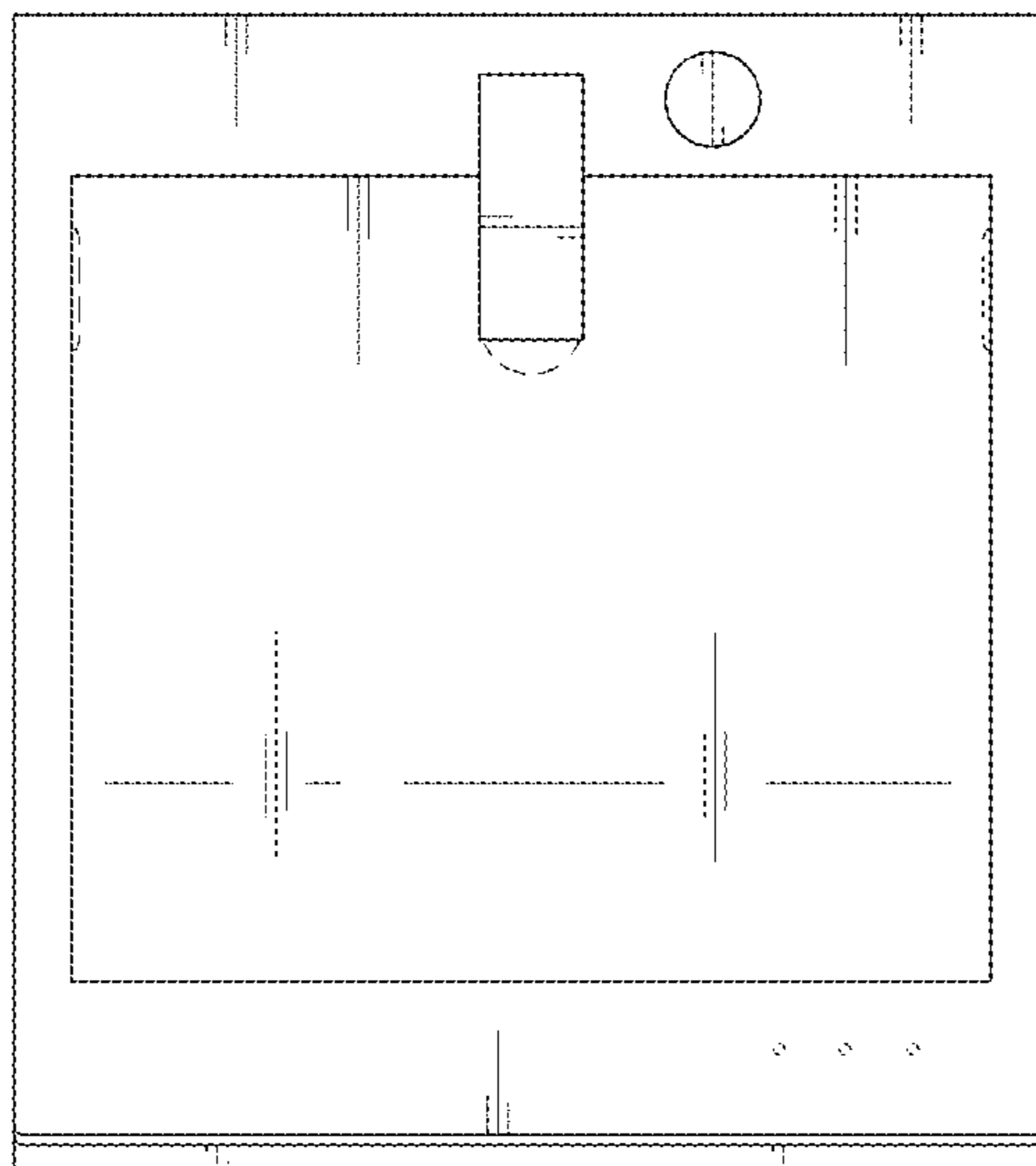
1.4



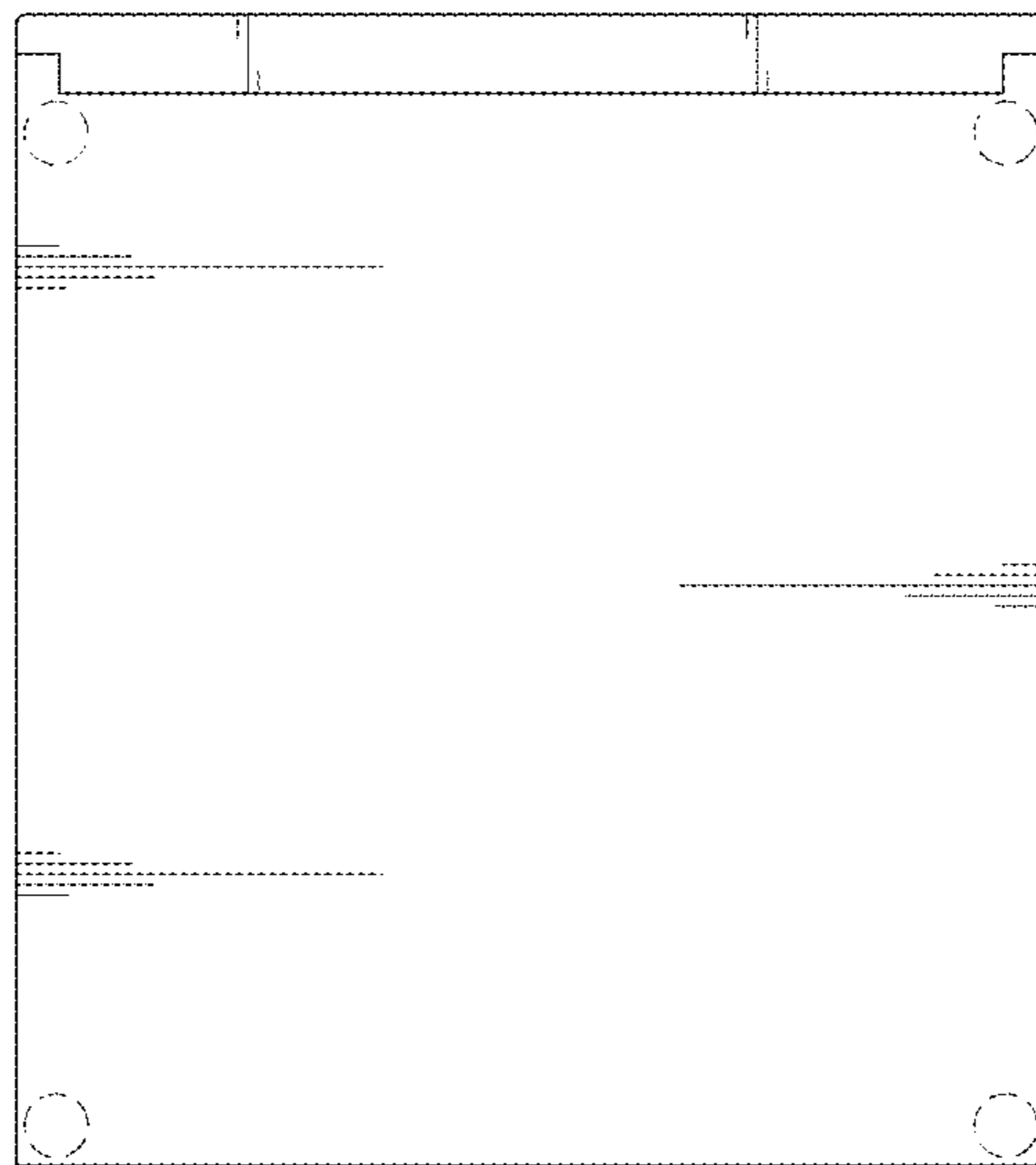
1.5



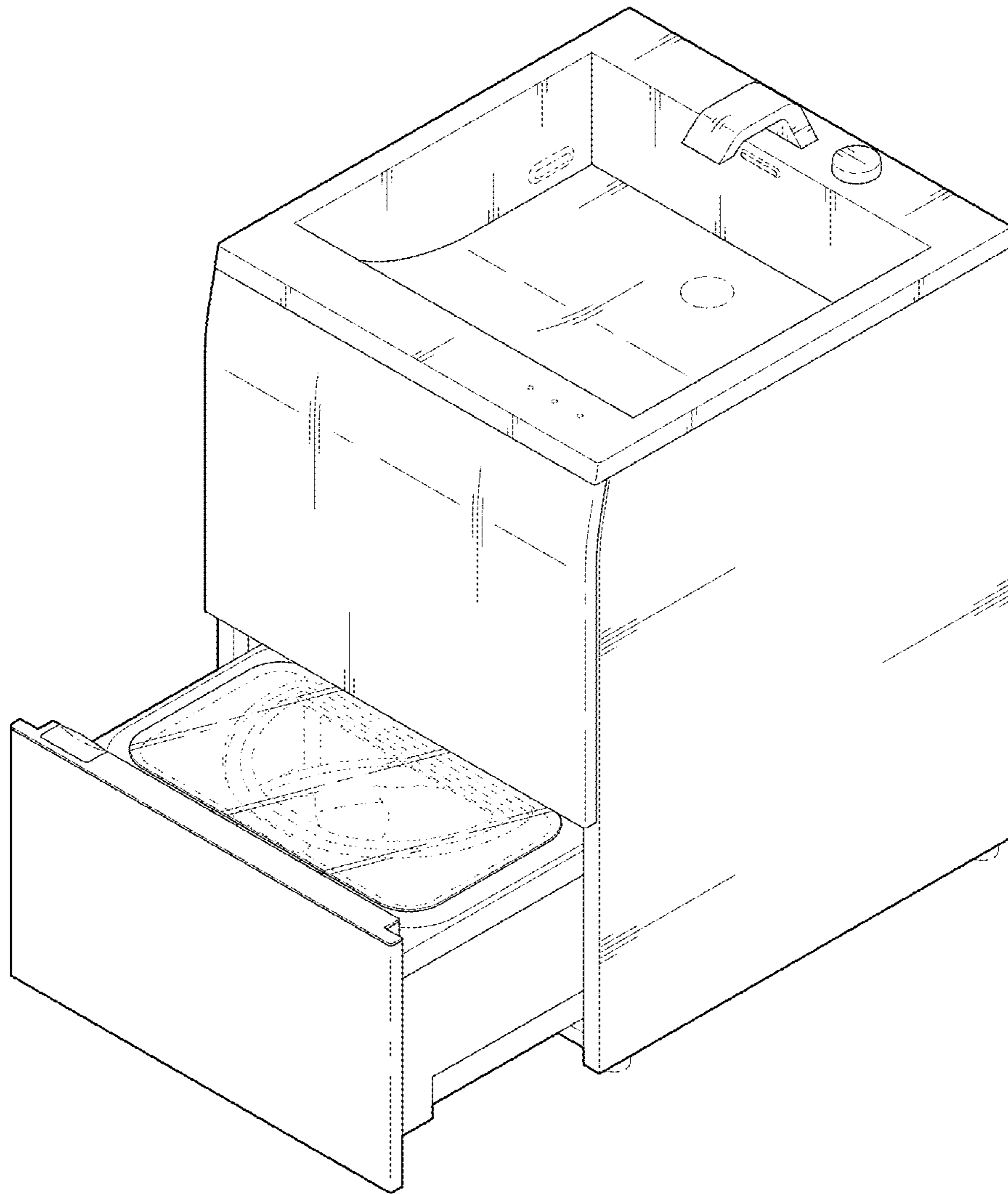
1.6



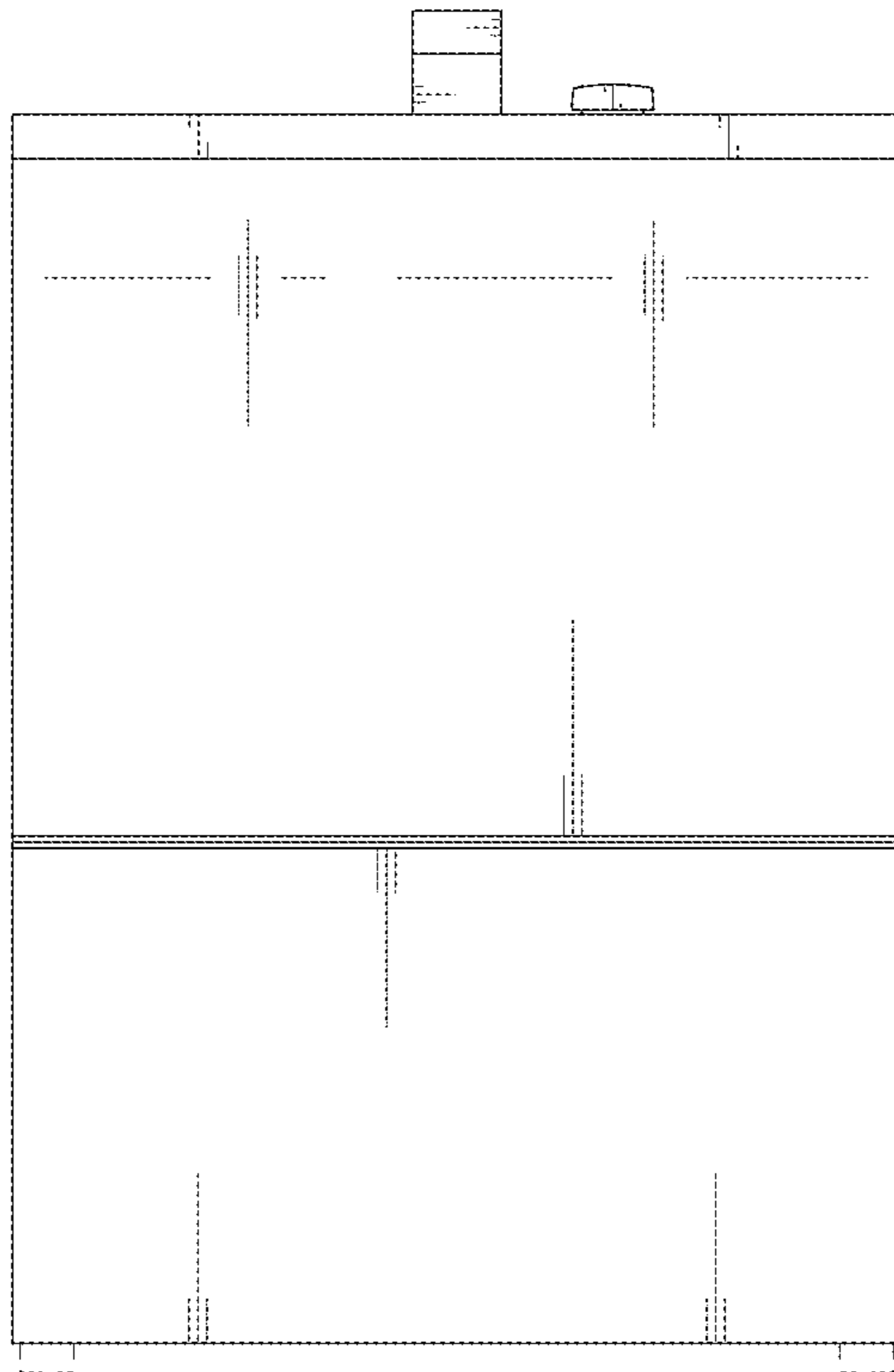
1.7



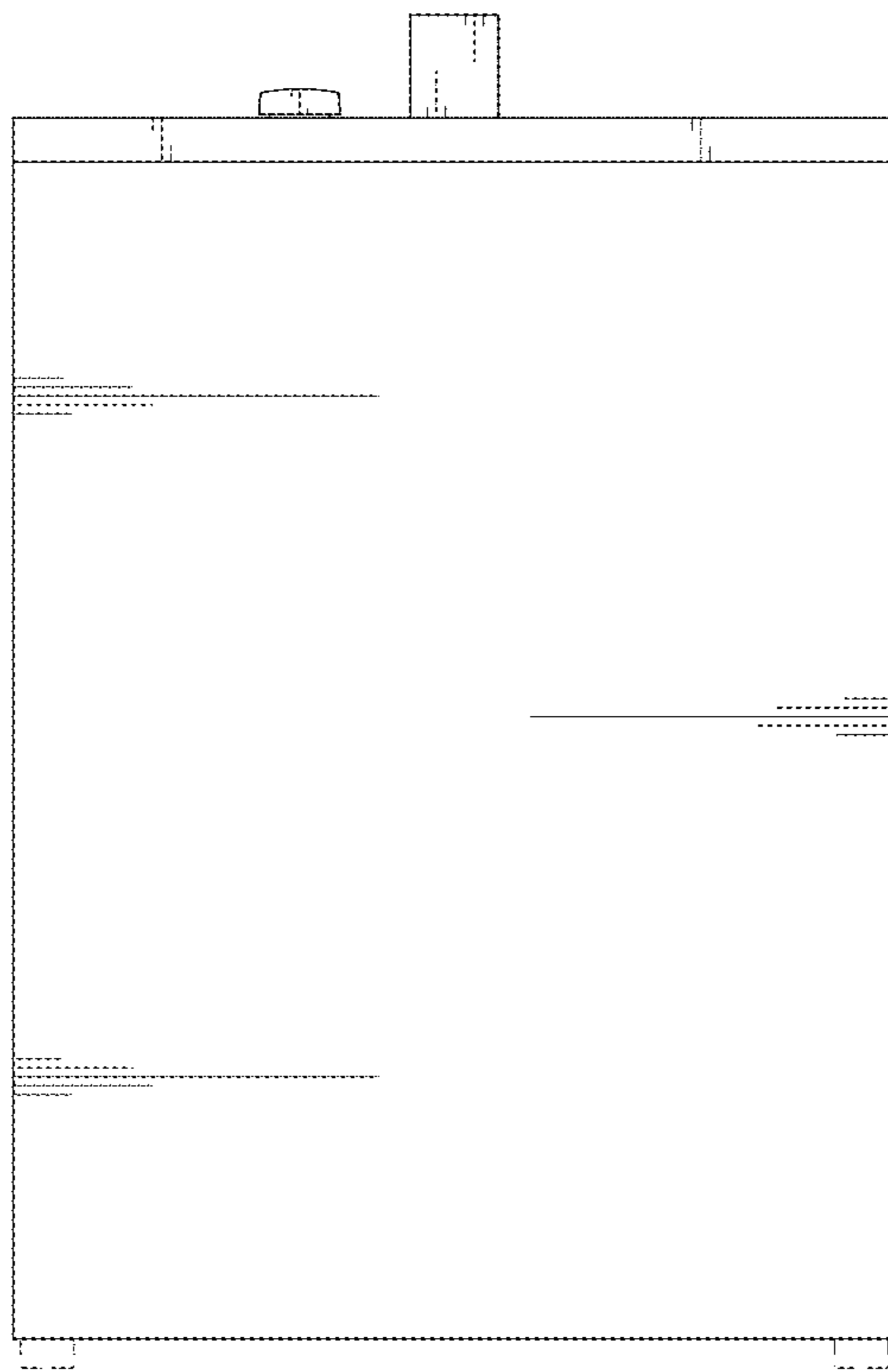
1.8



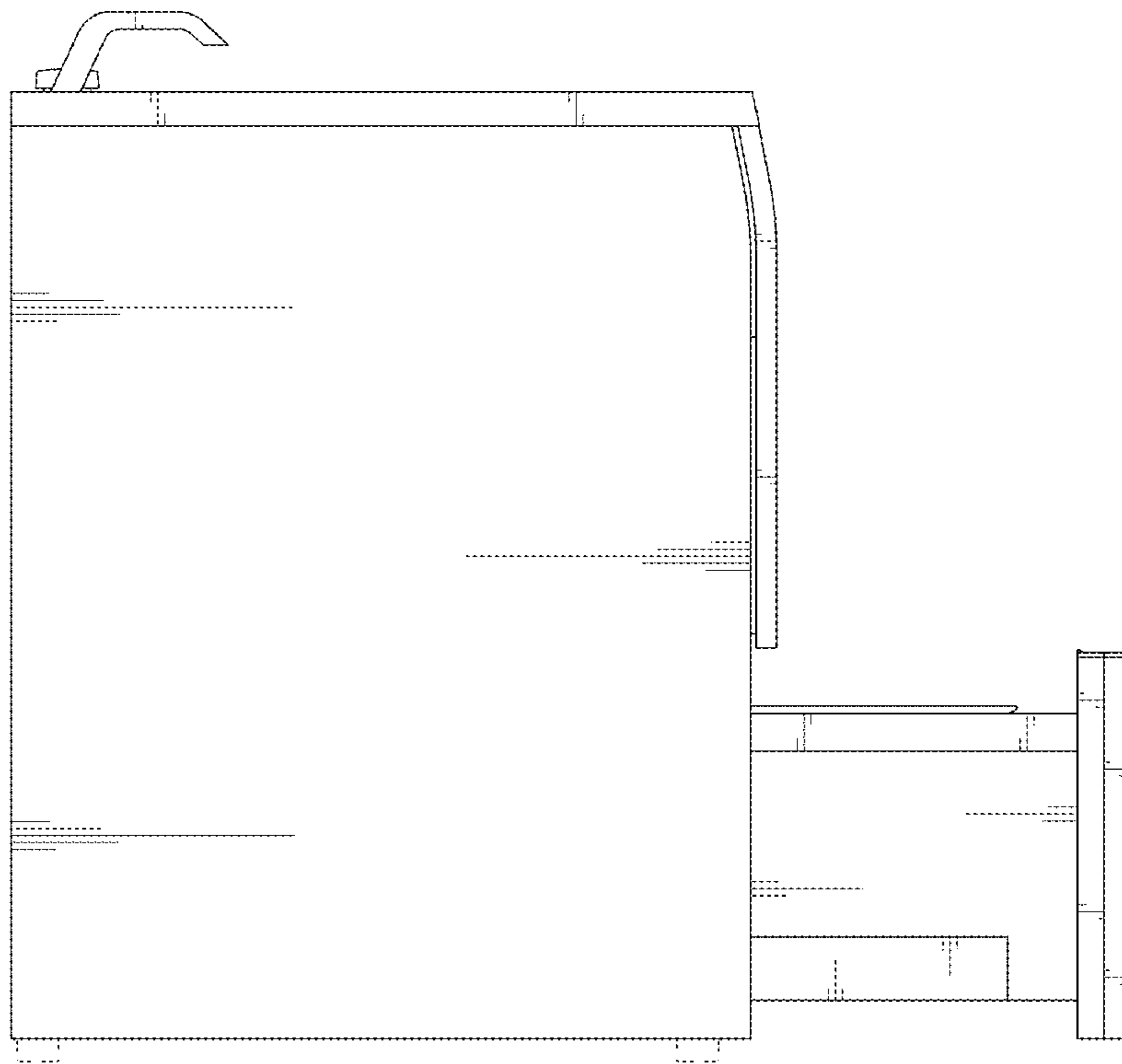
1.9



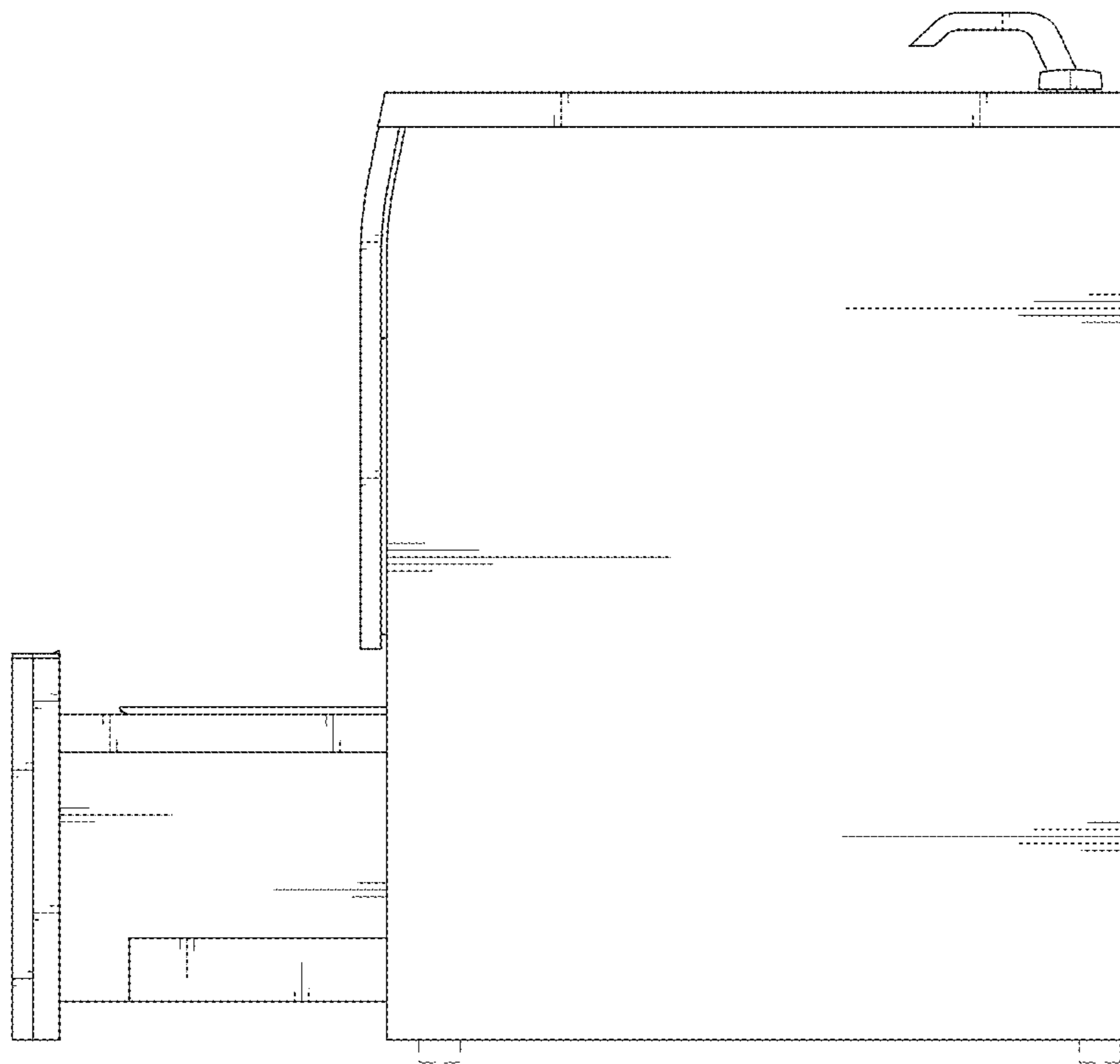
1.10



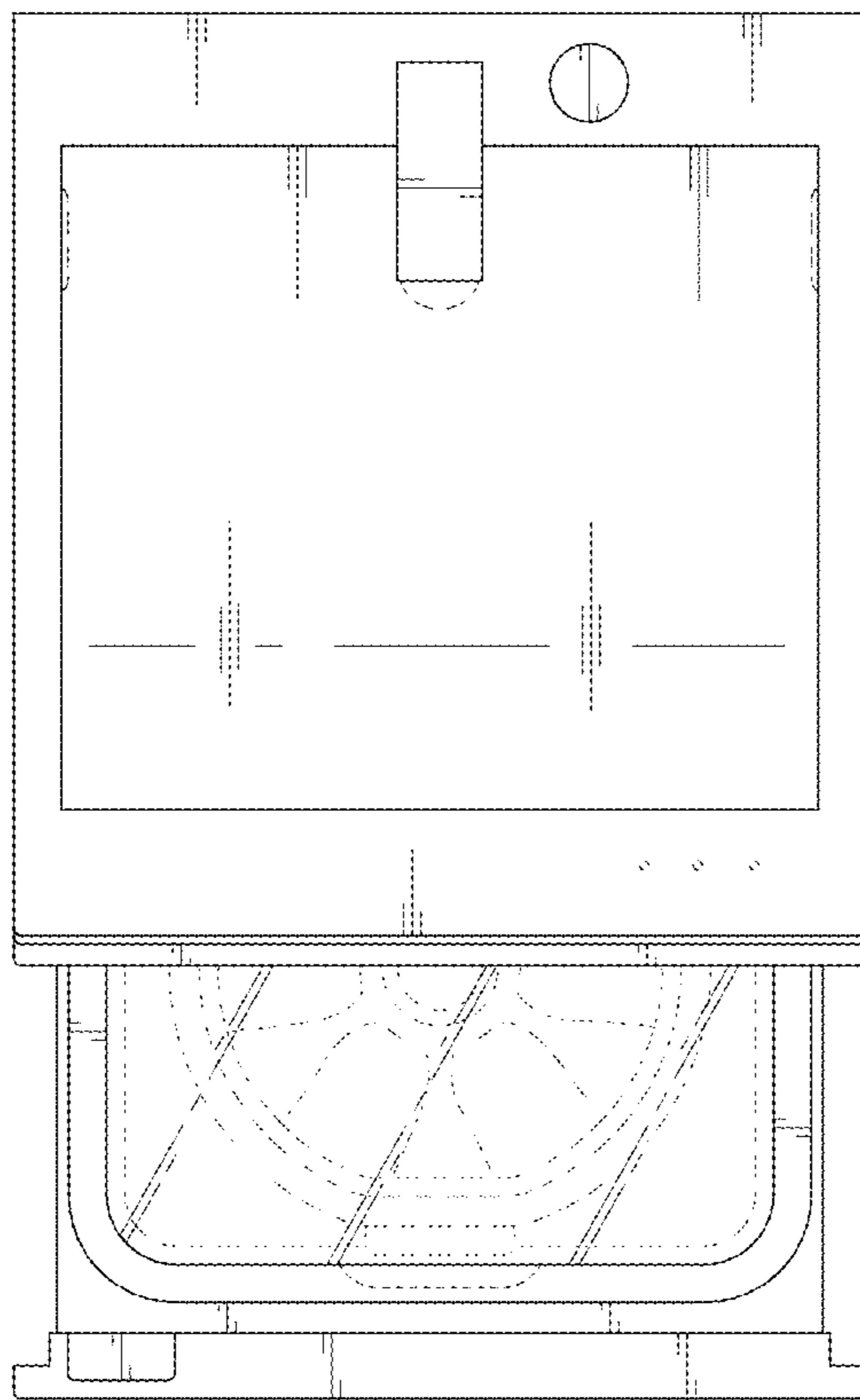
1.11



1.12



1.13



1.14

