



US00D851847S

(12) **United States Design Patent** (10) **Patent No.:** **US D851,847 S**
Gammack et al. (45) **Date of Patent:** **** Jun. 18, 2019**

(54) **VACUUM CLEANER**
(71) Applicant: **Dyson Technology Limited**, Wiltshire (GB)
(72) Inventors: **Peter David Gammack**, Gloucester (GB); **Stephen Robert Dimbylow**, Swindon (GB); **Robert Hinchliffe**, Bristol (GB)
(73) Assignee: **Dyson Technology Limited**, Malmesbury, Wiltshire (GB)

D770,111 S * 10/2016 Lee D32/34
D775,772 S * 1/2017 Lee D32/31
D798,009 S * 9/2017 Salagnac D32/18
D799,767 S * 10/2017 Palladino D32/22
D804,753 S * 12/2017 Kim D32/31
D814,723 S * 4/2018 Palladino D32/31
D819,282 S * 5/2018 Kim D32/22
D824,616 S * 7/2018 Ward D32/22
2011/0219571 A1* 9/2011 Dyson A47L 5/24
15/344
2014/0366286 A1* 12/2014 Zheng A47L 9/2831
15/3
2015/0230677 A1* 8/2015 Andrikanish A47L 9/102
15/353

(**) Term: **15 Years**

(21) Appl. No.: **29/617,706**

(22) Filed: **Sep. 15, 2017**

(30) **Foreign Application Priority Data**

Mar. 16, 2017 (GB) 6009157

(51) **LOC (11) Cl.** **15-05**

(52) **U.S. Cl.**
USPC **D32/22**

(58) **Field of Classification Search**
USPC D32/17-18, 22, 31, 34
CPC A47L 5/24; A47L 5/26; A47L 5/28; A47L 9/322; A47L 9/325; A47L 9/327; A47L 11/4075

See application file for complete search history.

(56) **References Cited**

U.S. PATENT DOCUMENTS

D668,010 S 9/2012 Stickney et al.
D668,823 S * 10/2012 Stickney D32/18
D703,889 S * 4/2014 Shin D32/18
D731,130 S * 6/2015 Dyson D32/18
D731,133 S * 6/2015 Dyson D32/31
D731,724 S * 6/2015 Cheon D32/22
D738,584 S 9/2015 Niedzwecki

(Continued)

FOREIGN PATENT DOCUMENTS

CN 302917438 8/2014
CN 303151547 4/2015

(Continued)

Primary Examiner — Ruth McInroy

(74) *Attorney, Agent, or Firm* — Morrison & Foerster LLP

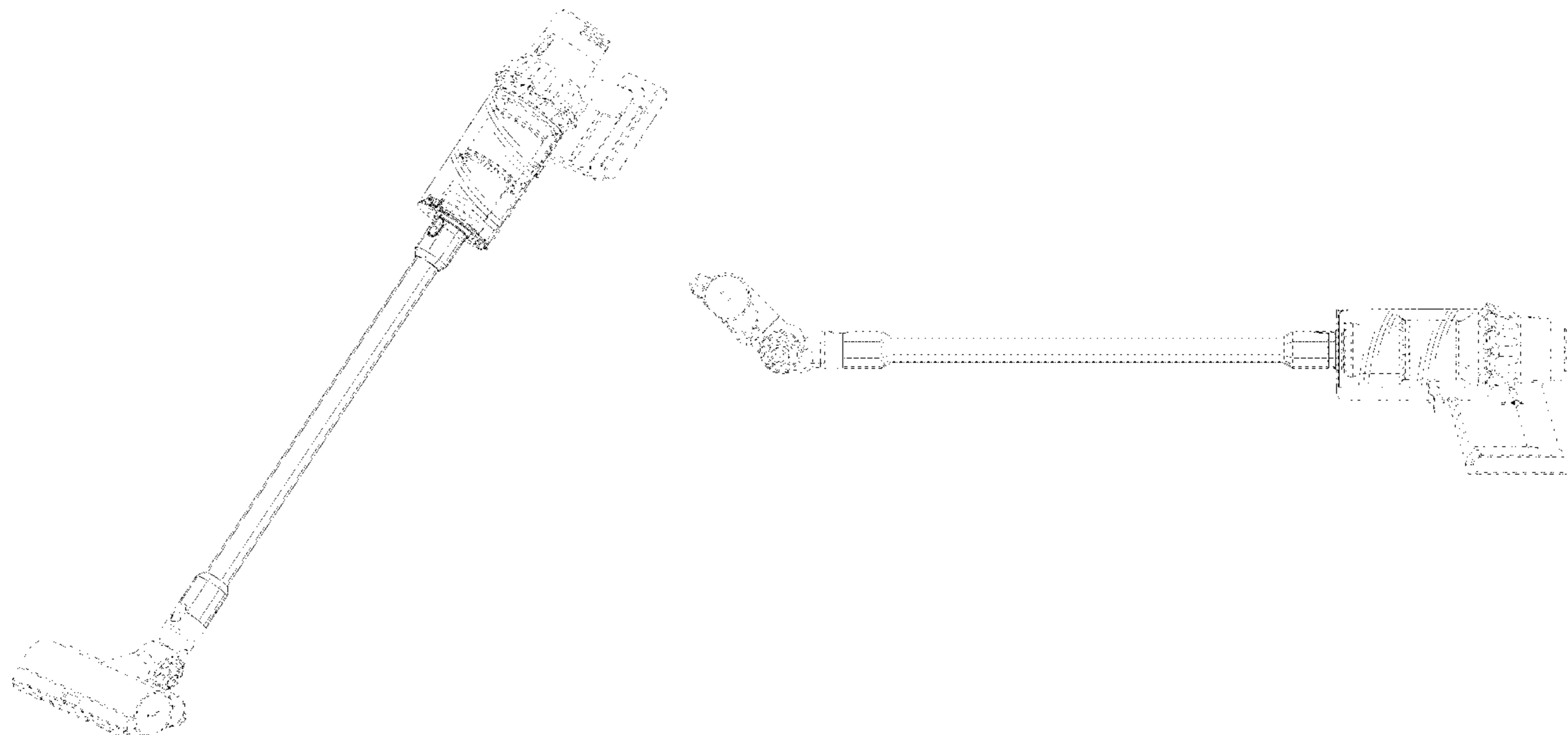
(57) **CLAIM**

We claim the ornamental design for a vacuum cleaner, as shown and described.

DESCRIPTION

FIG. 1 is a perspective view of a vacuum cleaner showing our new design;
FIG. 2 is a side view thereof;
FIG. 3 is a side view of the opposite side of FIG. 2;
FIG. 4 is a front view thereof;
FIG. 5 is a rear view thereof;
FIG. 6 is a top view thereof; and,
FIG. 7 is a bottom view thereof.
The broken lines shown in the drawings illustrate portions of a vacuum cleaner that form no part of the claimed design.

1 Claim, 7 Drawing Sheets



(56)

References Cited

U.S. PATENT DOCUMENTS

2016/0174789 A1* 6/2016 Han A47L 5/24
15/327.1

FOREIGN PATENT DOCUMENTS

CN	303863321	9/2016
CN	303863324	9/2016
EM	001361141-0001	12/2013
EM	001361141-0003	12/2013
EM	001361141-0004	12/2013
EM	003304583-0001	9/2016
JP	D1543039	2/2016
TW	D180331	12/2016

* cited by examiner

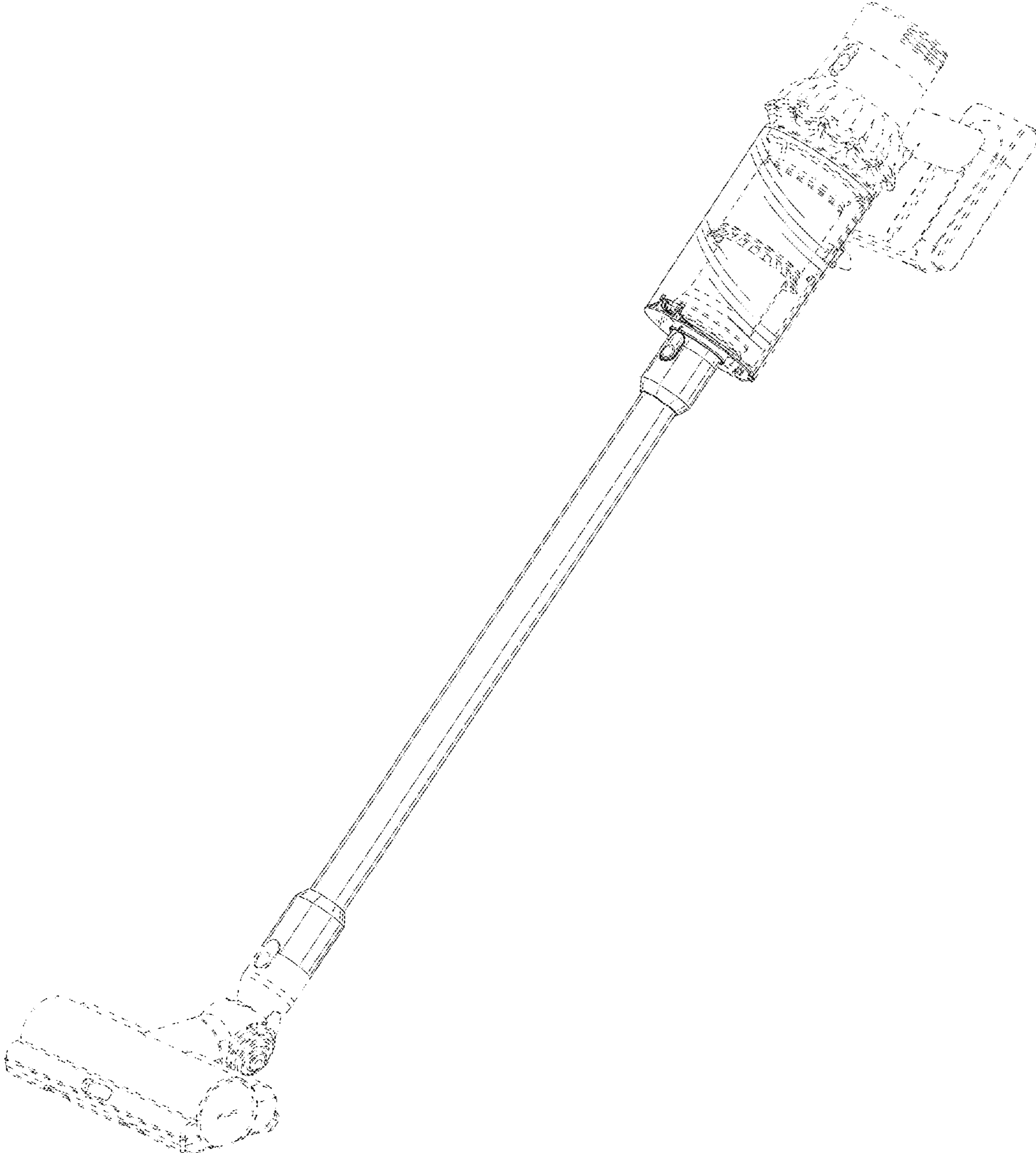


FIG. 1

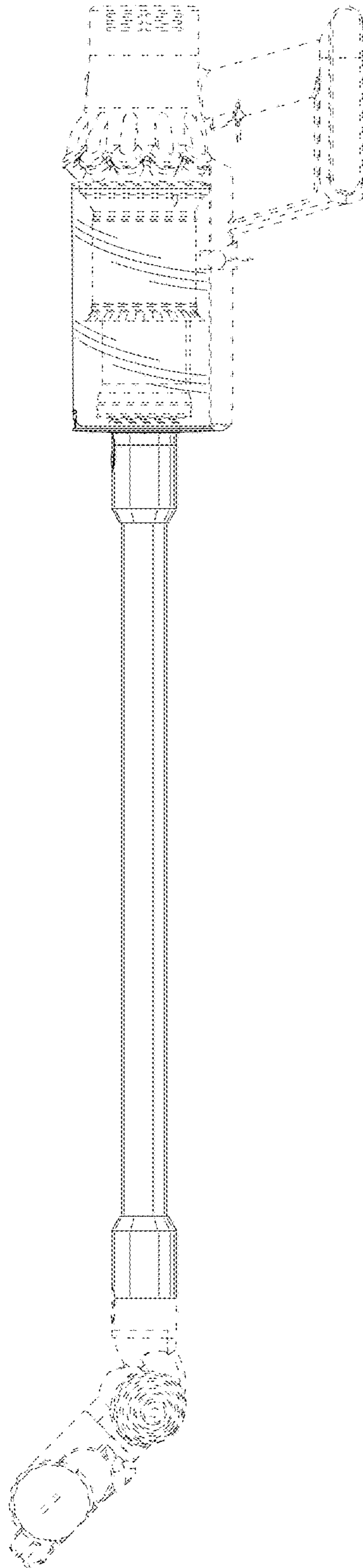


FIG. 2

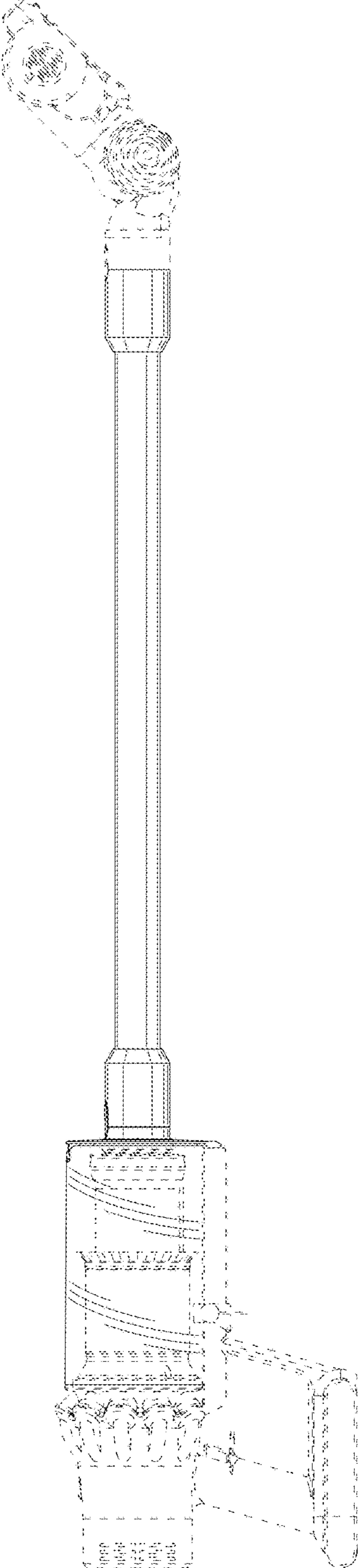


FIG. 3

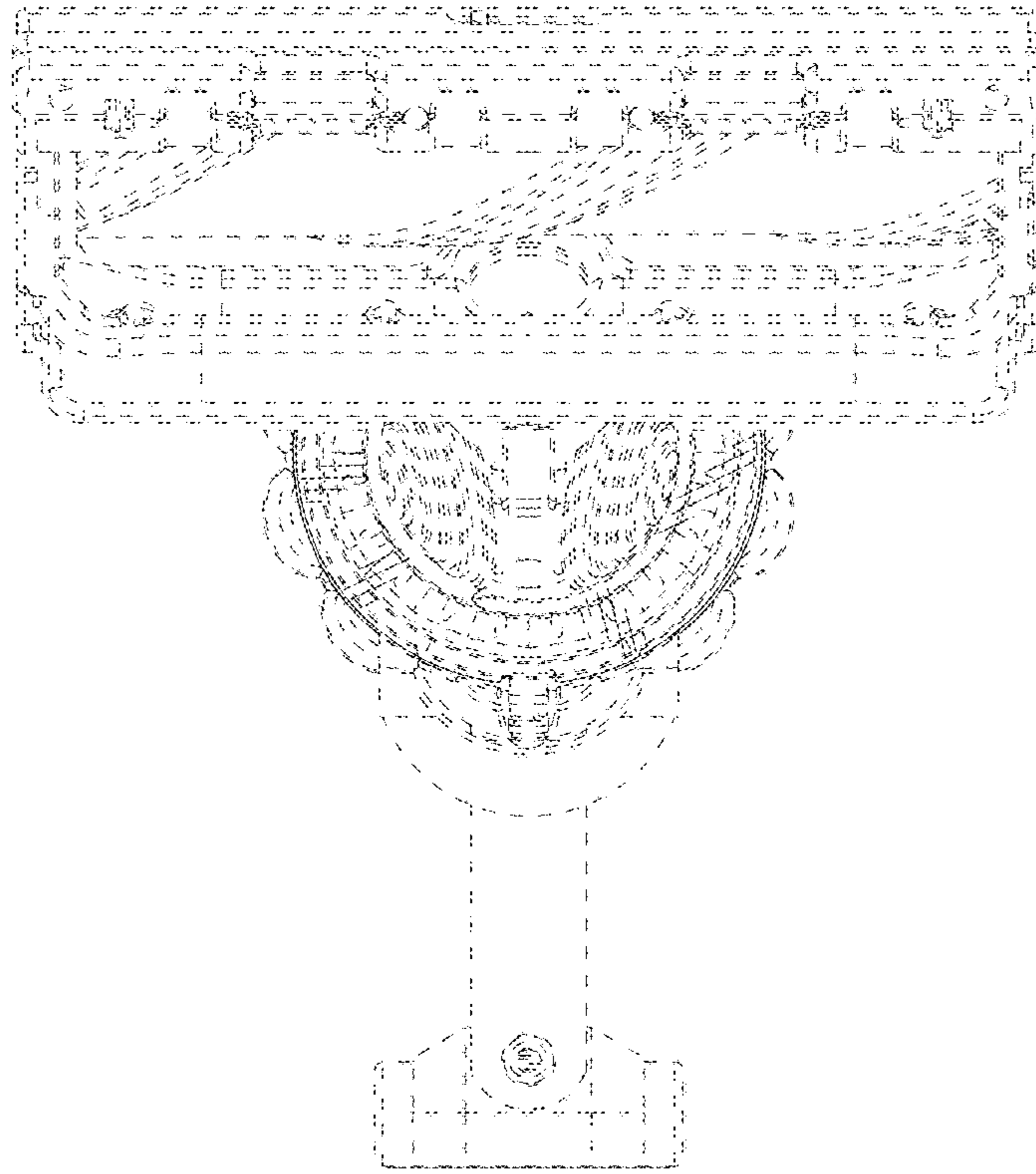


FIG. 4

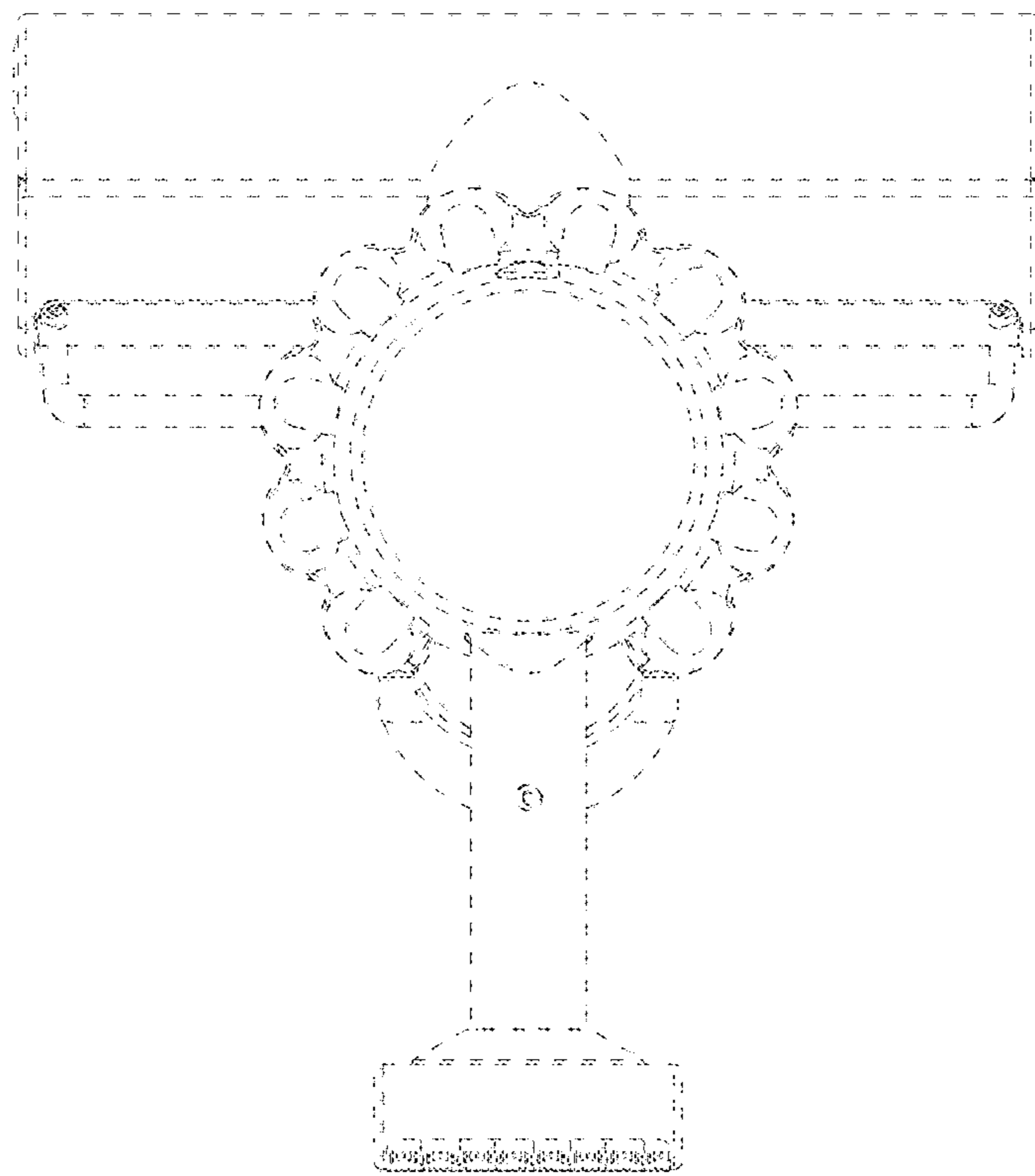


FIG. 5

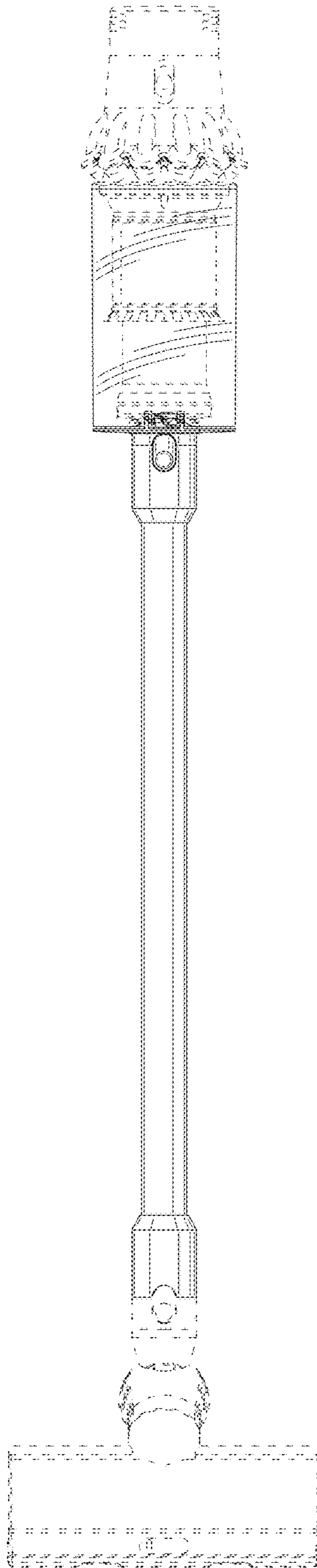


FIG. 6

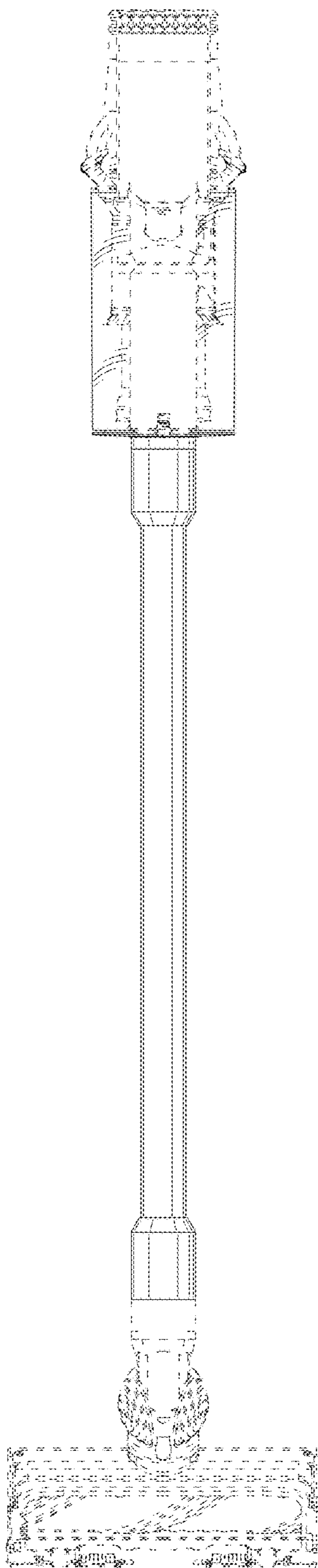


FIG. 7