



US00D851844S

(12) **United States Design Patent**
Kong et al.

(10) **Patent No.:** **US D851,844 S**
(45) **Date of Patent:** **** Jun. 18, 2019**

(54) **LAUNDRY MACHINE**

FOREIGN PATENT DOCUMENTS

(71) Applicant: **QINGDAO HAIER DRUM WASHING MACHINE CO., LTD.**,
ShanDong (CN)

JP D1347288 * 12/2008

(72) Inventors: **Zhi Kong**, ShanDong (CN); **Benchang Qiao**, ShanDong (CN); **Wenwei Li**,
ShanDong (CN); **Benfu Xing**,
ShanDong (CN); **Haitao Zhu**,
ShanDong (CN); **Jinkai Wang**,
ShanDong (CN); **Rongshuai Cai**,
ShanDong (CN)

OTHER PUBLICATIONS

10 Easy Pieces posted by Meredith Swinehart posted date Apr. 6, 2016, © Remodelista, [online], [site visited Jan. 4, 2019]. Available from Internet, <https://www remodelista.com/posts/10-easy-pieces-stackable-washerdryers/> (Year: 2016).*

(Continued)

(73) Assignee: **QINGDAO HAIER DRUM WASHING MACHINE CO., LTD.**,
Shandong (CN)

Primary Examiner — Cynthia Ramirez

Assistant Examiner — Laura H Yu

(74) *Attorney, Agent, or Firm* — Guice Patents PLLC

(**) Term: **15 Years**

(57) **CLAIM**

The ornamental design for a laundry machine, as shown and described.

(21) Appl. No.: **29/628,830**

DESCRIPTION

(22) Filed: **Dec. 7, 2017**

(30) **Foreign Application Priority Data**

Jun. 9, 2017 (CN) 2017 3 0236525

(51) **LOC (11) Cl.** **15-05**

(52) **U.S. Cl.**
USPC **D32/5**

(58) **Field of Classification Search**
USPC D32/2, 5, 6, 25; 68/3 R, 9, 13 R, 17 R,
68/20; 8/159; 34/527; 194/344

(Continued)

FIG. 1 is a perspective view of a laundry machine according to a first embodiment of our new design;
FIG. 2 is a front view thereof;
FIG. 3 is a rear view thereof;
FIG. 4 is a left view thereof;
FIG. 5 is a right left view thereof;
FIG. 6 is a top view thereof;
FIG. 7 is a bottom view thereof;
FIG. 8 is a perspective view of a laundry machine according to a second embodiment of our new design;
FIG. 9 is a front view thereof;
FIG. 10 is a rear view thereof;
FIG. 11 is a left right view thereof;
FIG. 12 is a right view thereof;
FIG. 13 is a top view thereof;
FIG. 14 is a bottom view thereof;
FIG. 15 is a perspective view of a laundry machine according to a third embodiment of our new design;
FIG. 16 is a front view thereof;
FIG. 17 is a rear view thereof;
FIG. 18 is a left view thereof;

(Continued)

(56) **References Cited**

U.S. PATENT DOCUMENTS

4,697,687 A * 10/1987 Wilson G07F 17/20
194/344

D367,135 S * 2/1996 Jackovin D32/5
(Continued)

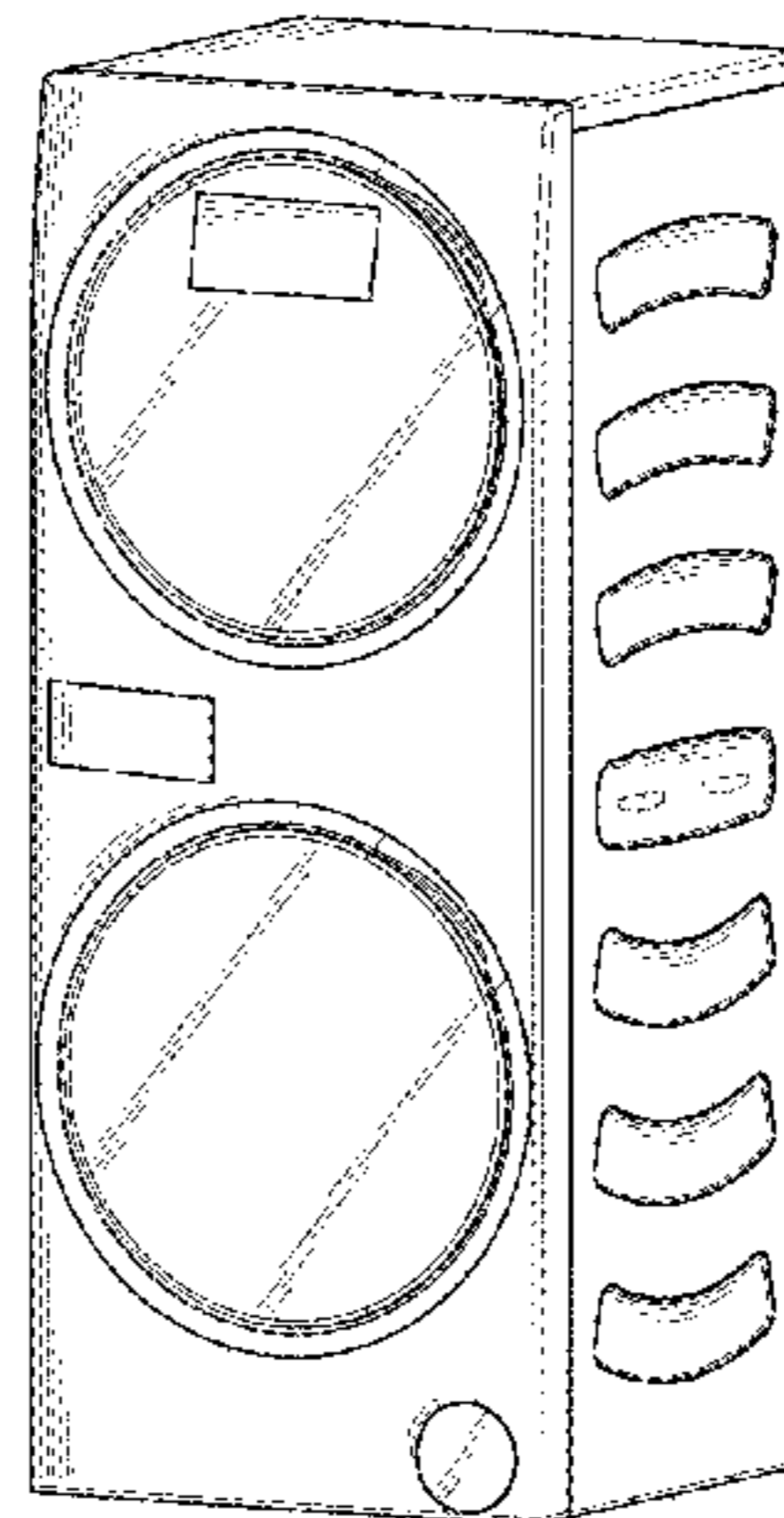
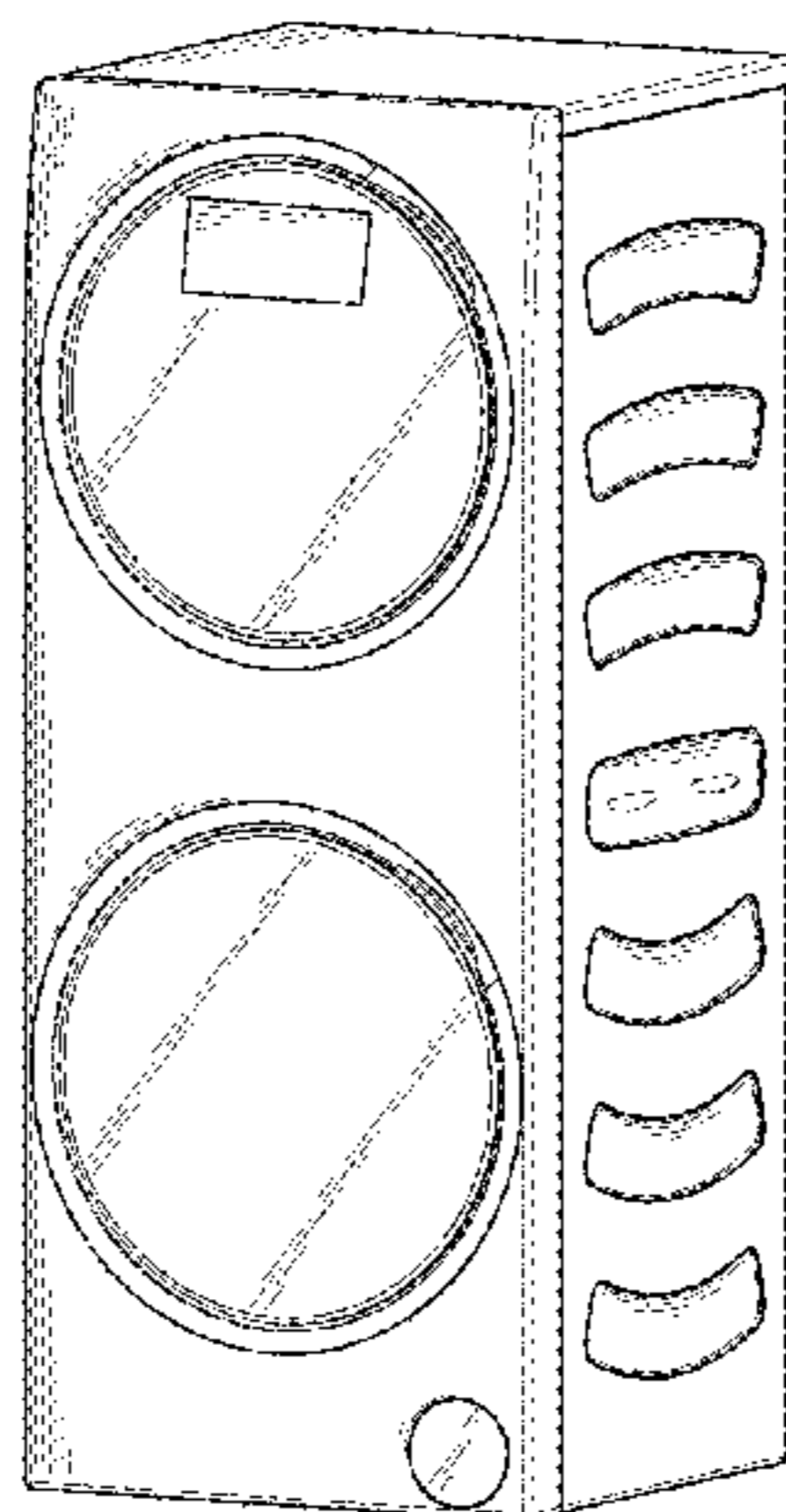


FIG. 19 is a right view thereof;
 FIG. 20 is a top view thereof;
 FIG. 21 is a bottom view thereof;
 FIG. 22 is a perspective view of a laundry machine according to a fourth embodiment of our new design;
 FIG. 23 is a front view thereof;
 FIG. 24 is a rear view thereof;
 FIG. 25 is a left view thereof;
 FIG. 26 is a right view thereof;
 FIG. 27 is a top view thereof;
 FIG. 28 is a bottom view thereof;
 FIG. 29 is a perspective view of a laundry machine according to a fifth embodiment of our new design;
 FIG. 30 is a front view thereof;
 FIG. 31 is a rear view thereof;
 FIG. 32 is a left view thereof;
 FIG. 33 is a right view thereof;
 FIG. 34 is a top view thereof;
 FIG. 35 is a bottom view thereof;
 FIG. 36 is a perspective view of a laundry machine according to a sixth embodiment of our new design;
 FIG. 37 is a front view thereof;
 FIG. 38 is a rear view thereof;
 FIG. 39 is a left view thereof;
 FIG. 40 is a right view thereof;
 FIG. 41 is a top view thereof; and,
 FIG. 42 is a bottom view thereof.

The portions of the drawings appearing in broken lines are portions of the laundry machine that form no part of the claimed design.

1 Claim, 24 Drawing Sheets

(58) **Field of Classification Search**
 CPC D06F 29/00; D06F 29/005; D06F 31/00;
 D06F 39/12; G07F 17/20
 See application file for complete search history.

(56)

References Cited

U.S. PATENT DOCUMENTS

6,978,556	B1 *	12/2005	Cornelius	D06F 29/00
				34/527
D517,254	S *	3/2006	Geyer	D32/5
D587,865	S *	3/2009	Cadamuro	D32/5
D592,367	S *	5/2009	Crookshanks	D32/25
7,624,600	B2 *	12/2009	Sunshine	D06F 39/12
				68/20
D616,163	S *	5/2010	Nam	D32/25
D622,916	S *	8/2010	Lee	D32/6
D640,020	S *	6/2011	Helot	D32/5
D739,095	S *	9/2015	Shu	D32/6
D781,004	S *	3/2017	Lee	D32/6
D816,925	S *	5/2018	Bixby	D32/6
2007/0119216	A1 *	5/2007	Jeong	D06F 29/00
				68/3 R
2010/0287712	A1 *	11/2010	Pyo	D06F 31/00
				8/159
2011/0041560	A1 *	2/2011	Lee	D06F 29/00
				68/9
2011/0252835	A1 *	10/2011	Beihoff	D06F 29/005
				68/13 R
2012/0103028	A1 *	5/2012	Lee	D06F 29/00
				68/17 R

OTHER PUBLICATIONS

Stackable Washer Dryer posted by Majestic posted date Nov. 1, 2016, © Amazon, [online], [site visited Jan. 4, 2019]. Available from Internet, <https://www.amazon.com/Majestic-Stackable-Compact> (Year: 2016).*

Stackable Washer Dryer posted by Arbrea posted date Sep. 14, 2017, © Amazon, [online], [site visited Jan. 4, 2019]. Available from Internet, <https://www.amazon.com/Arbrea-Stacked-Electric-824-850> (Year: 2017).*

* cited by examiner

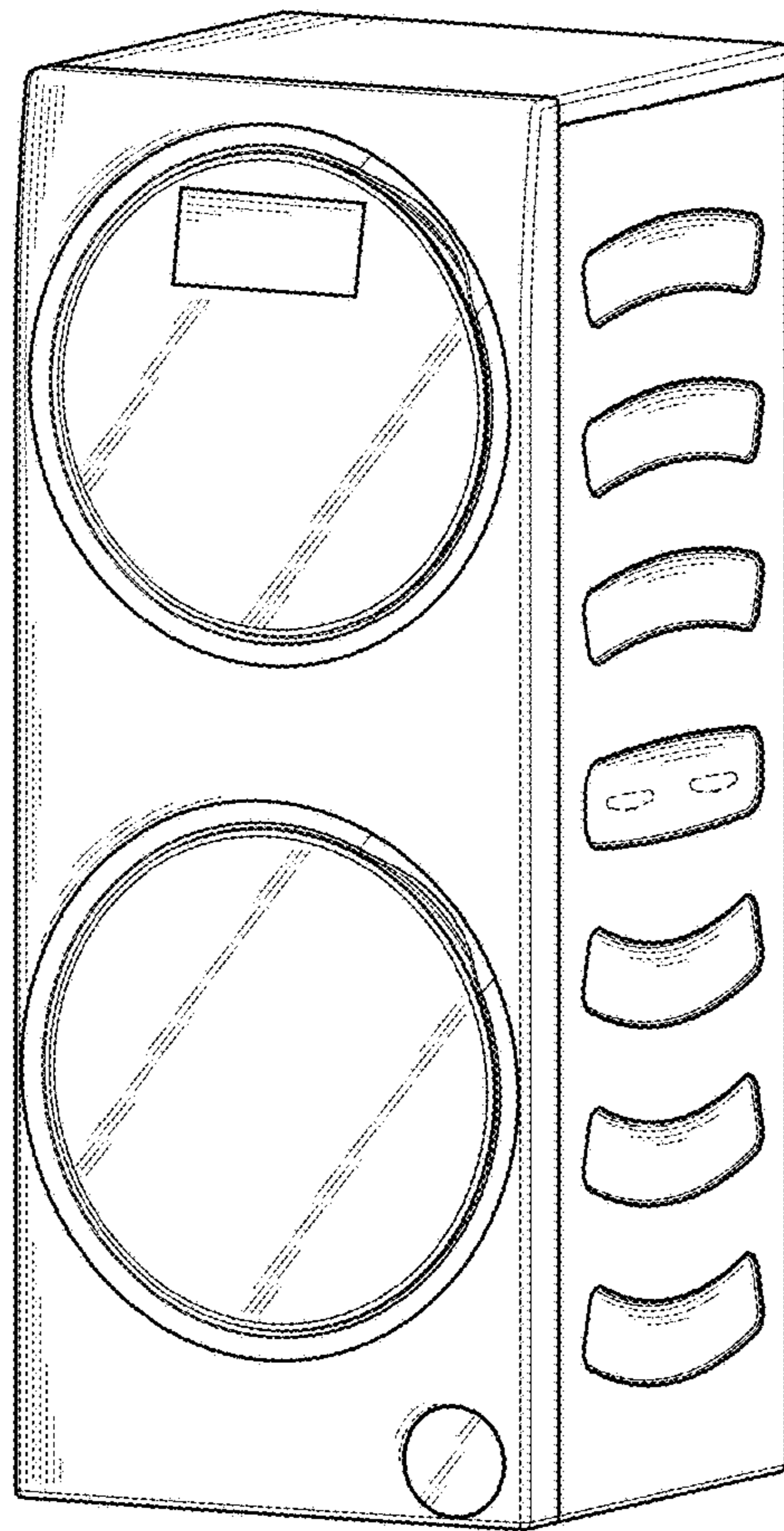


FIG.1

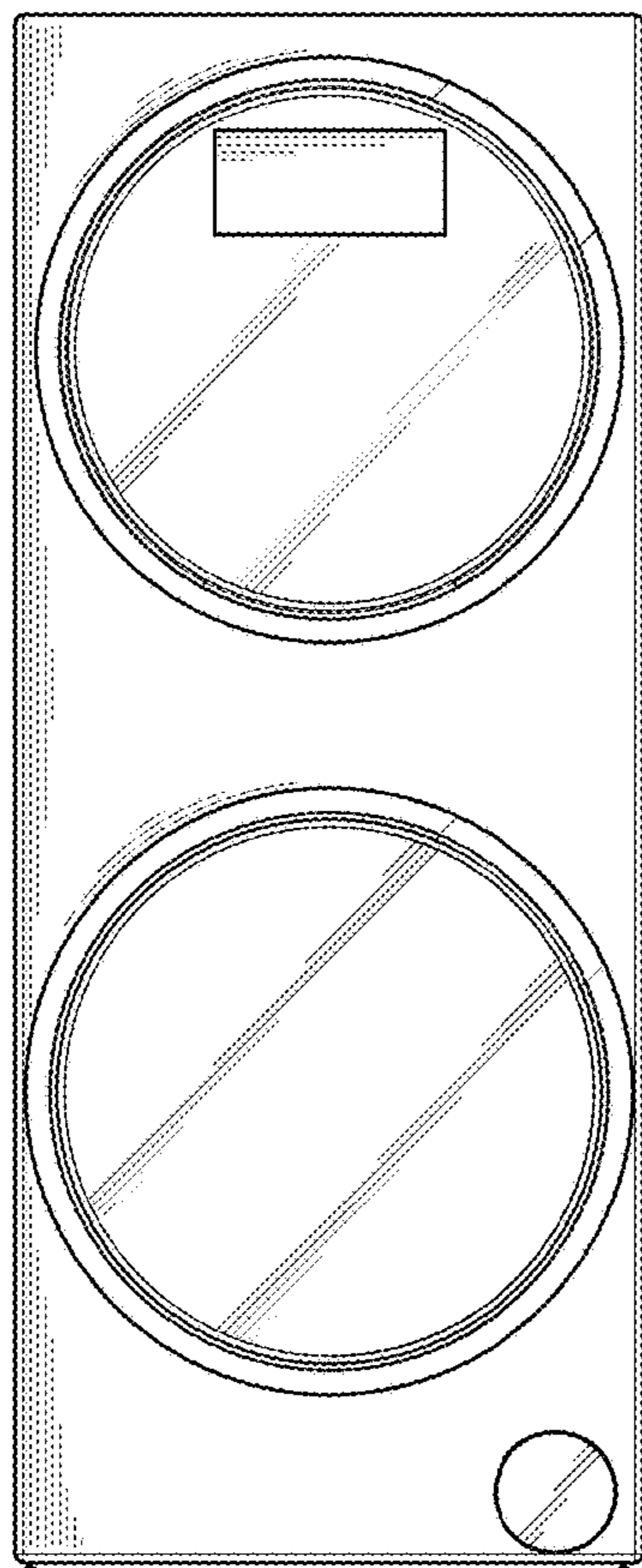


FIG.2

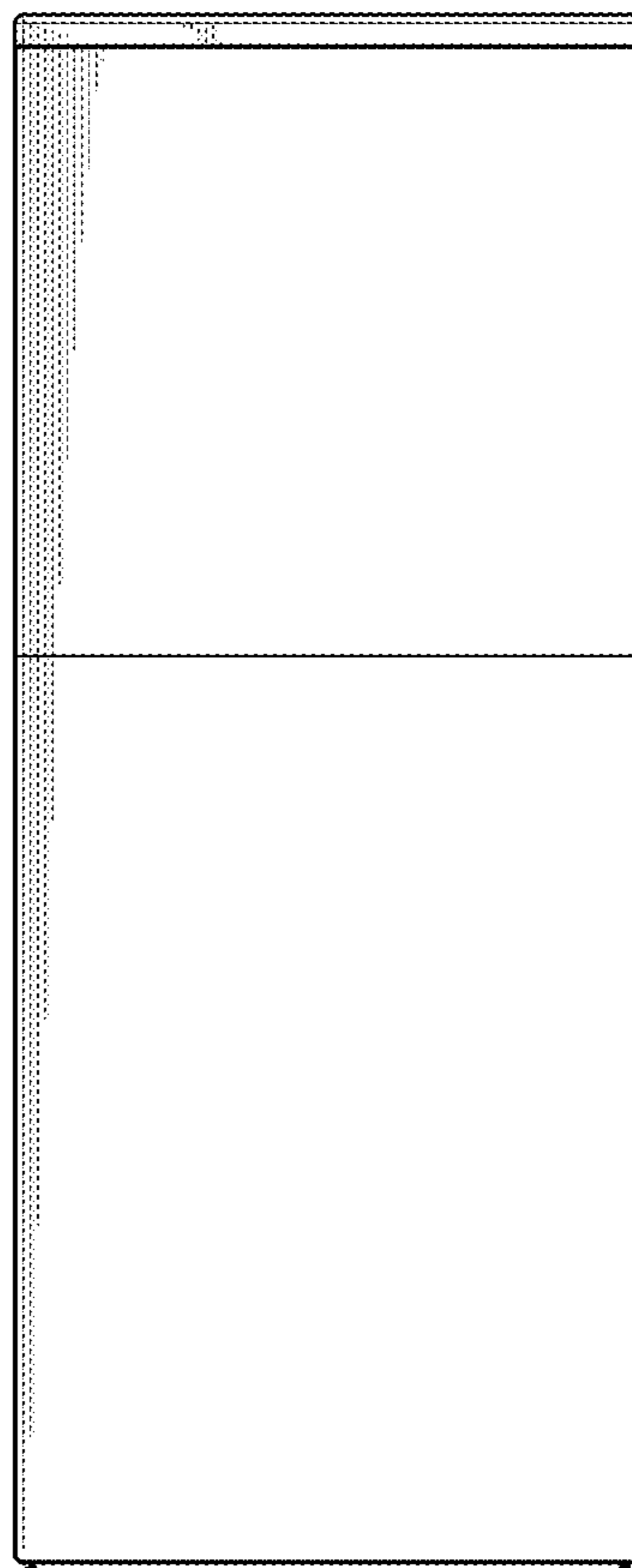


FIG.3

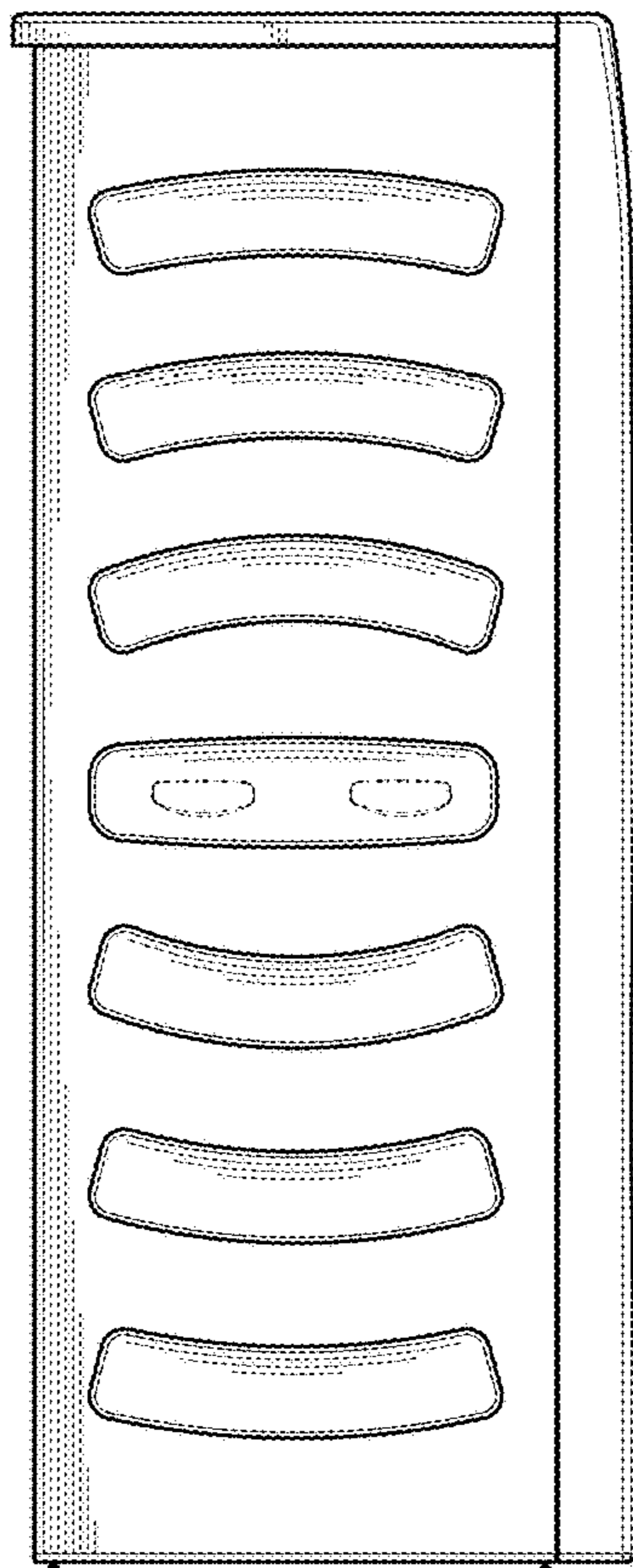


FIG. 4

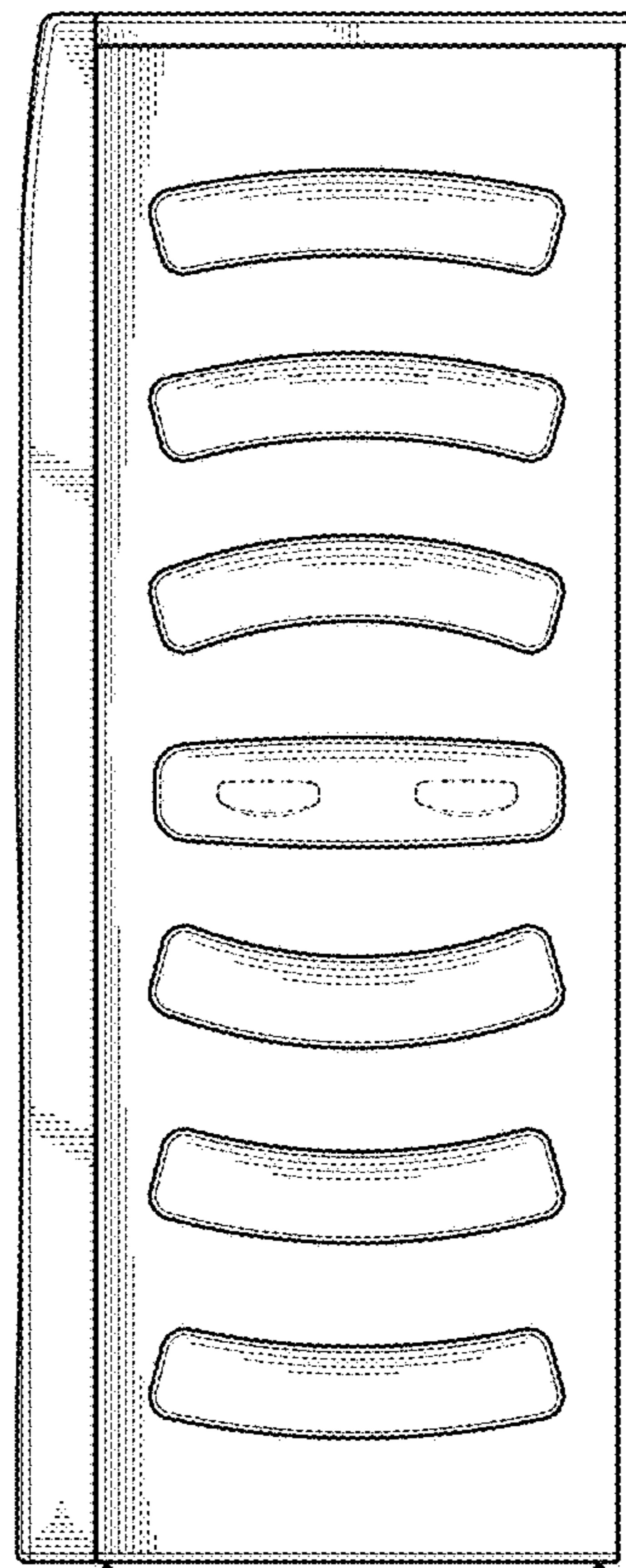


FIG. 5

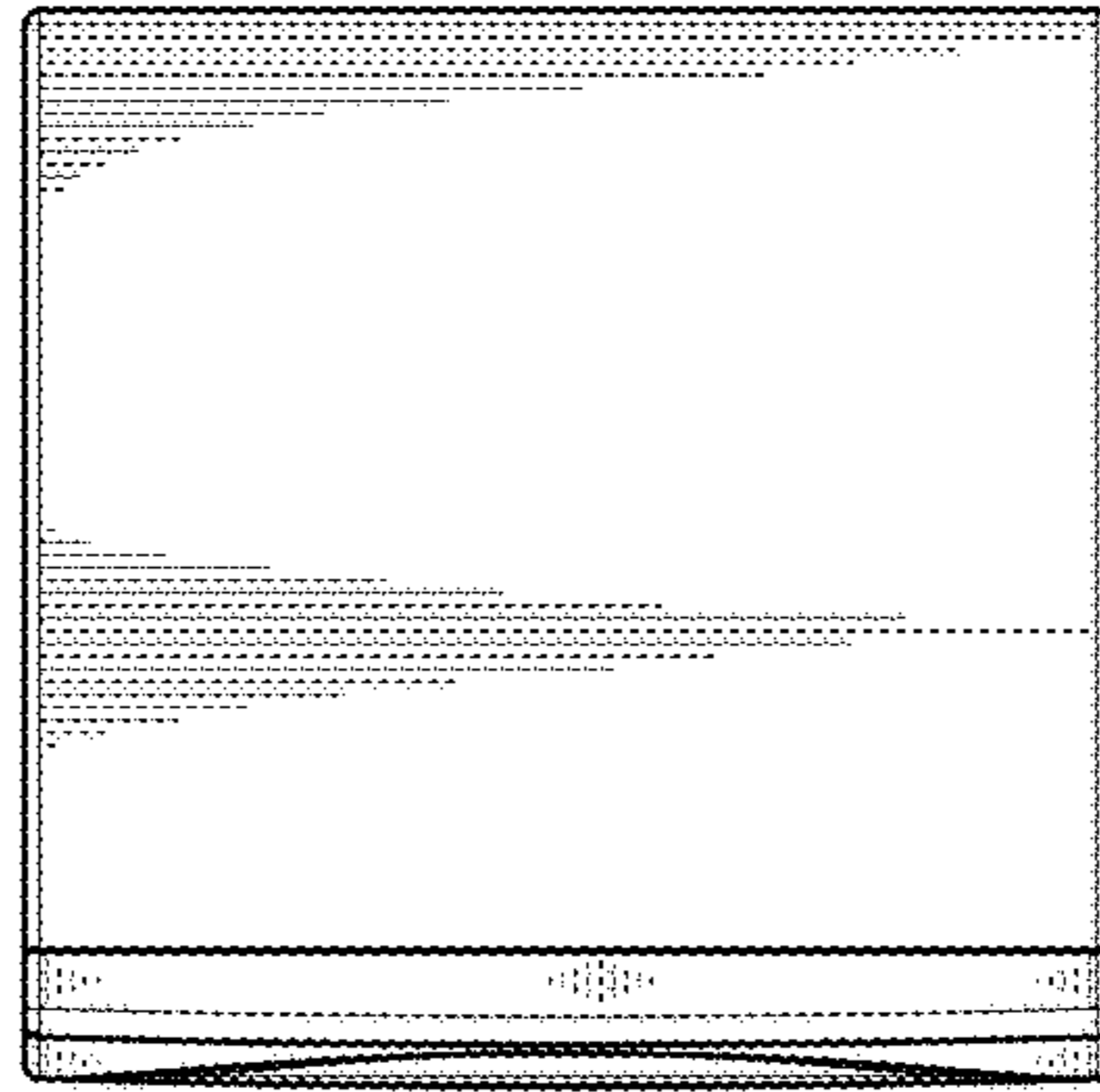


FIG. 6

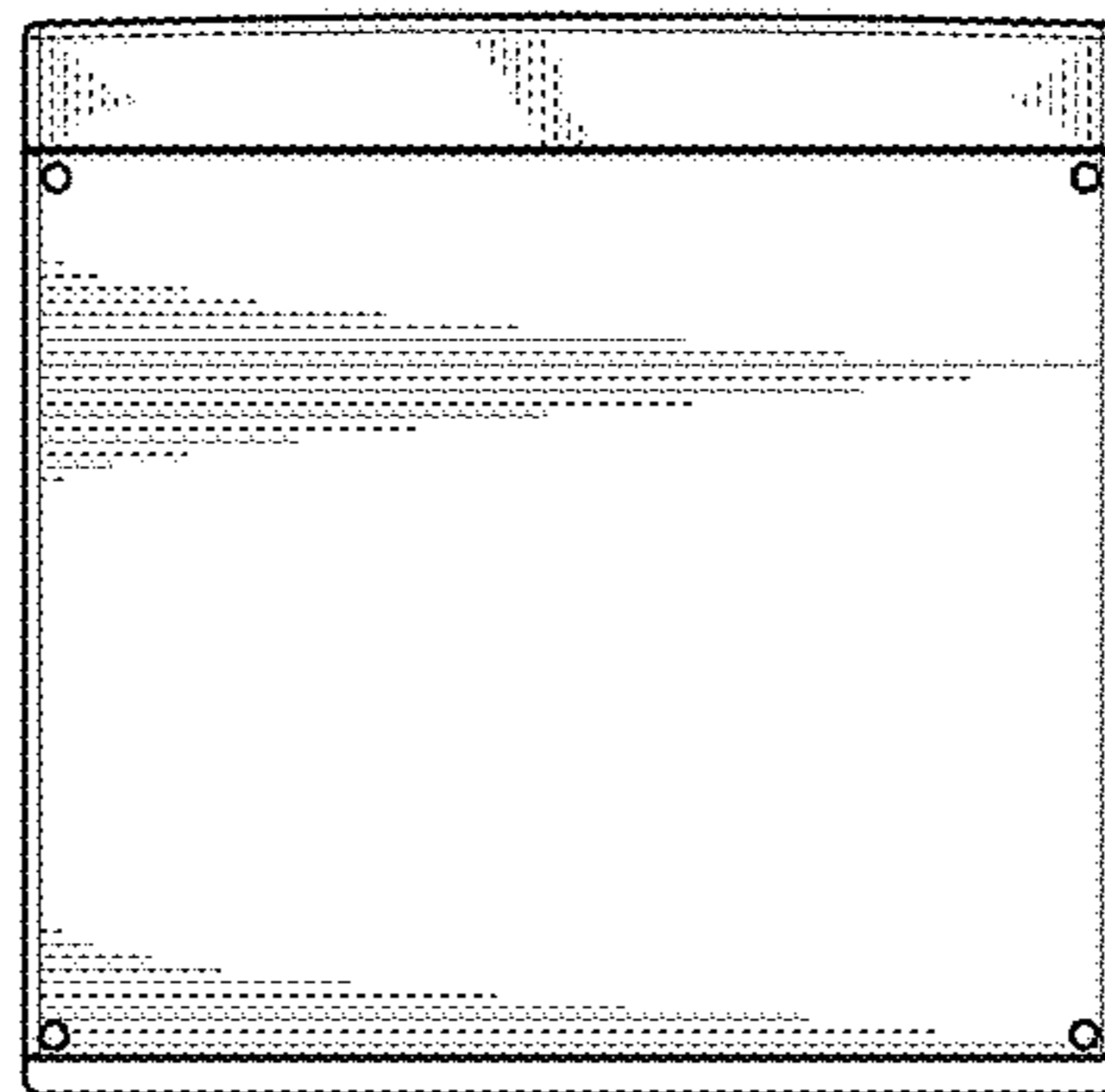


FIG. 7

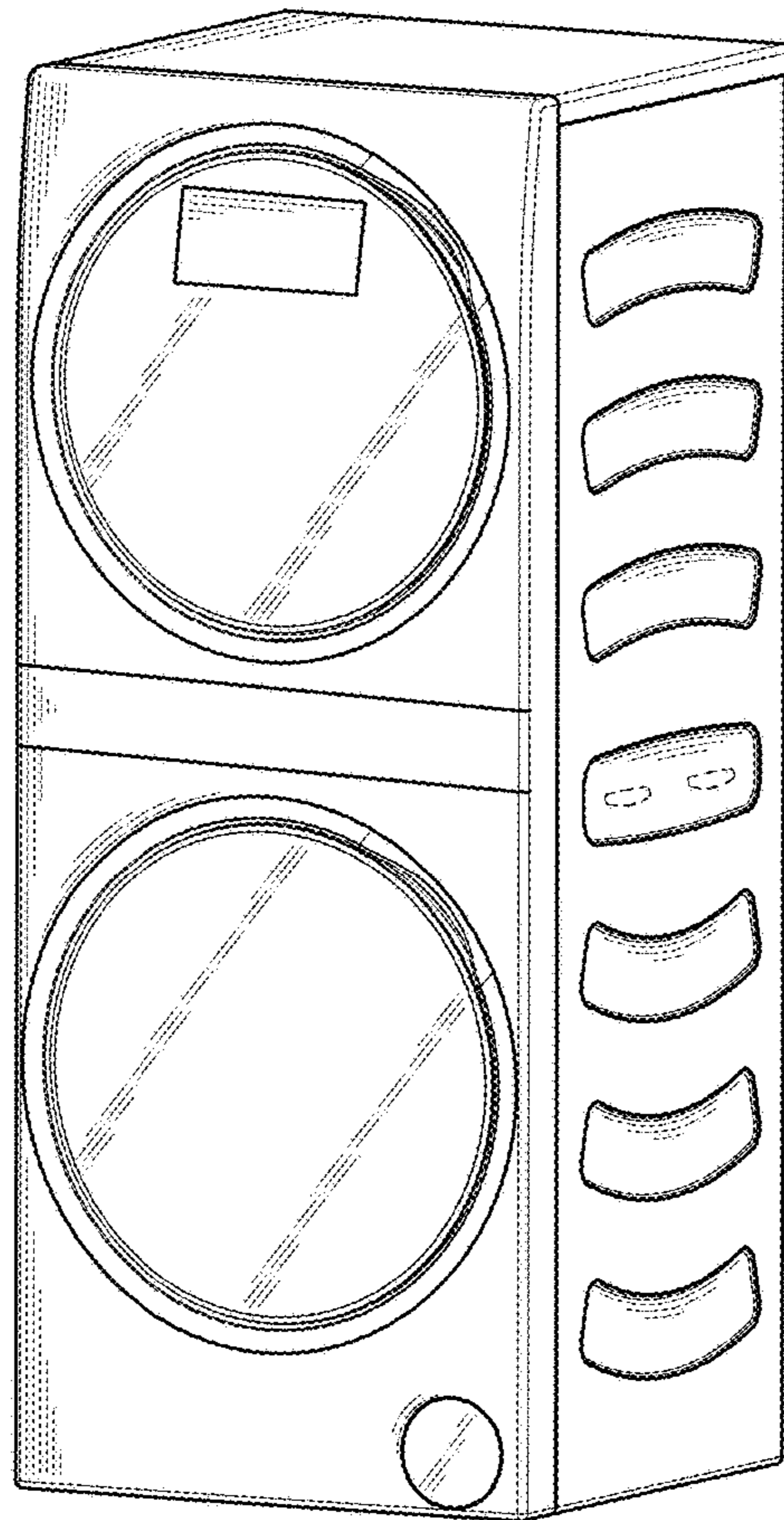


FIG.8

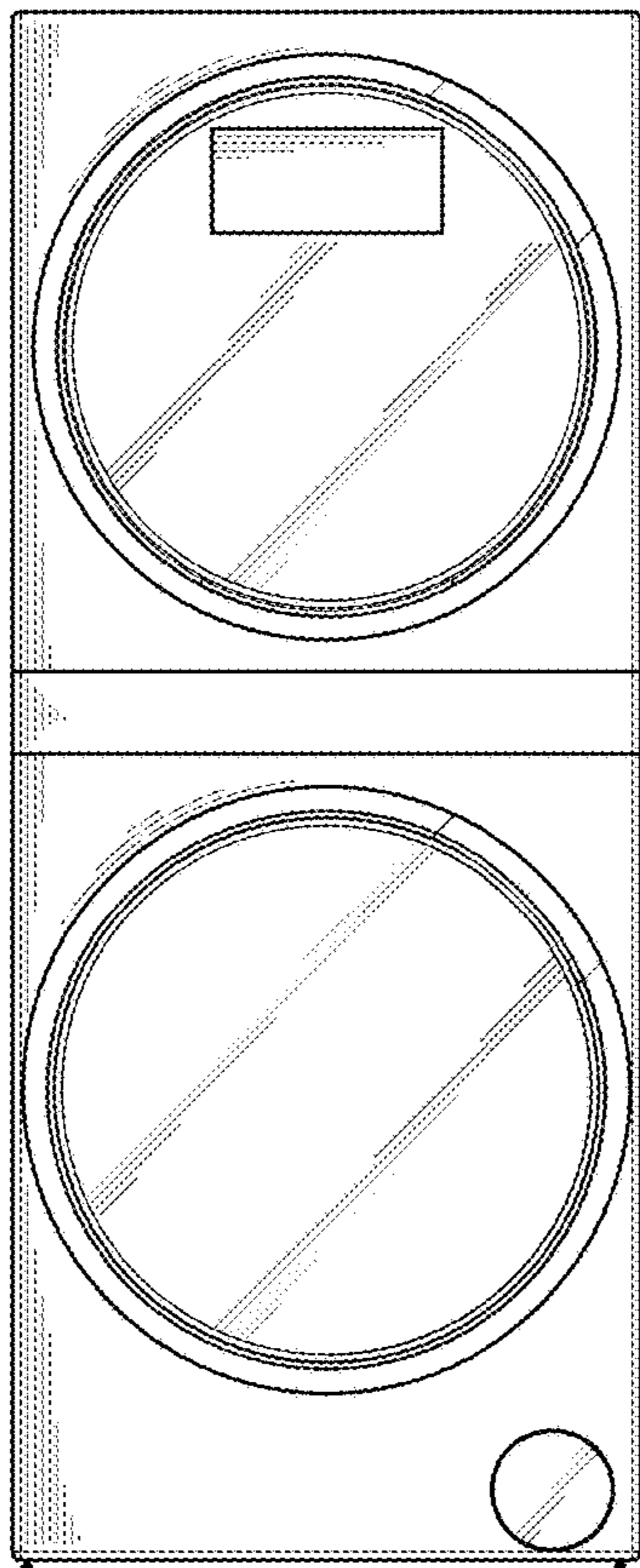


FIG.9

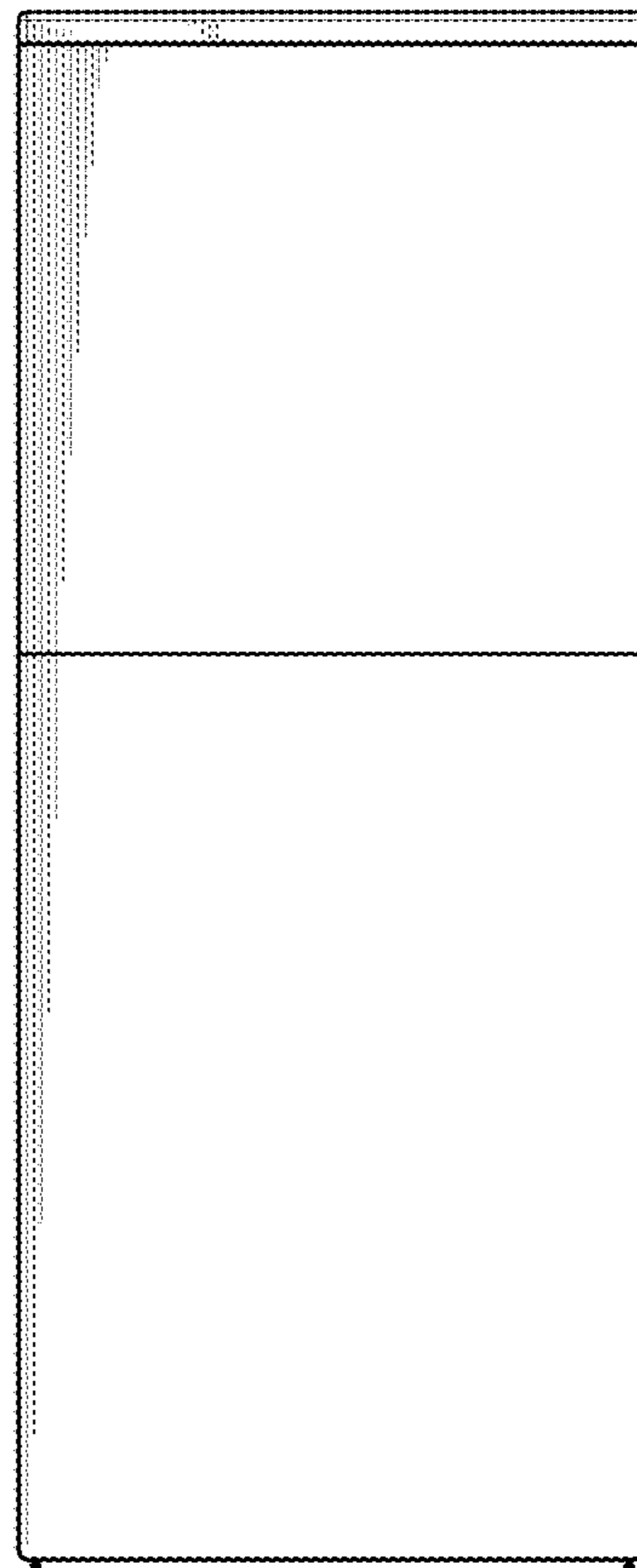


FIG.10

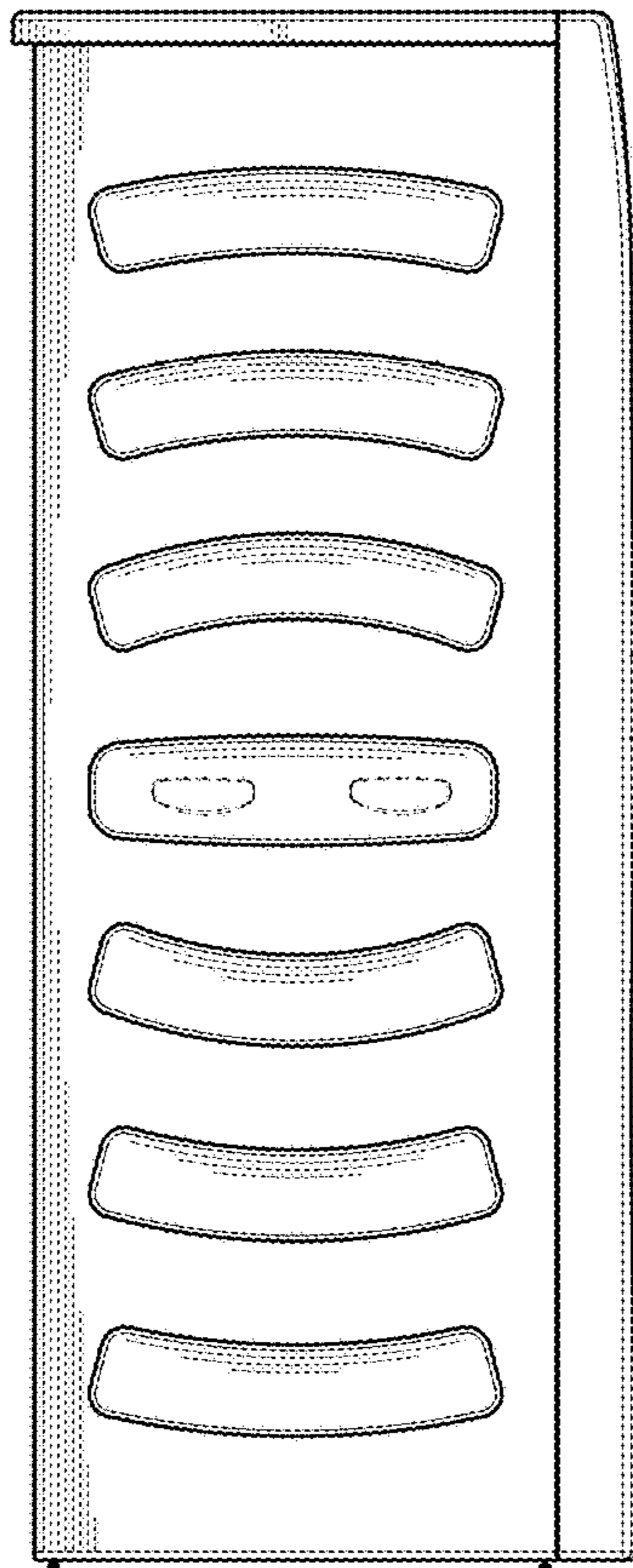


FIG. 11

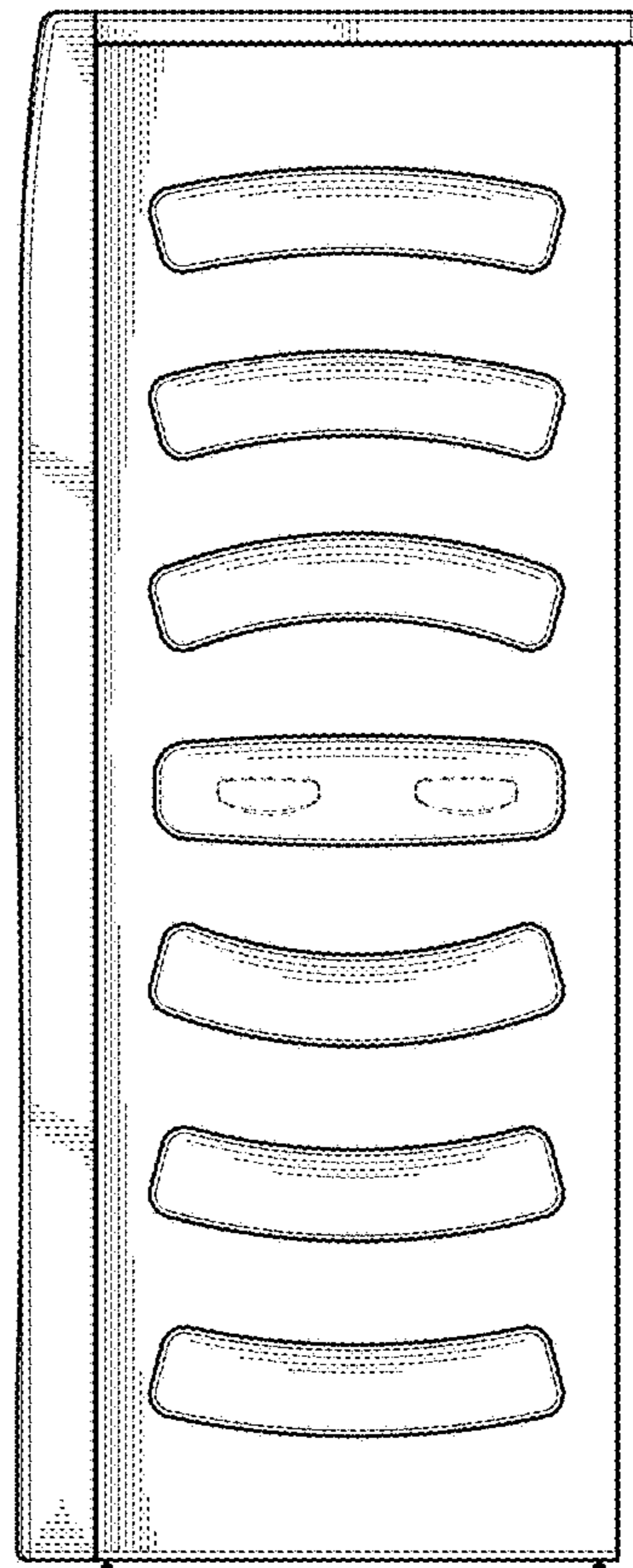


FIG. 12

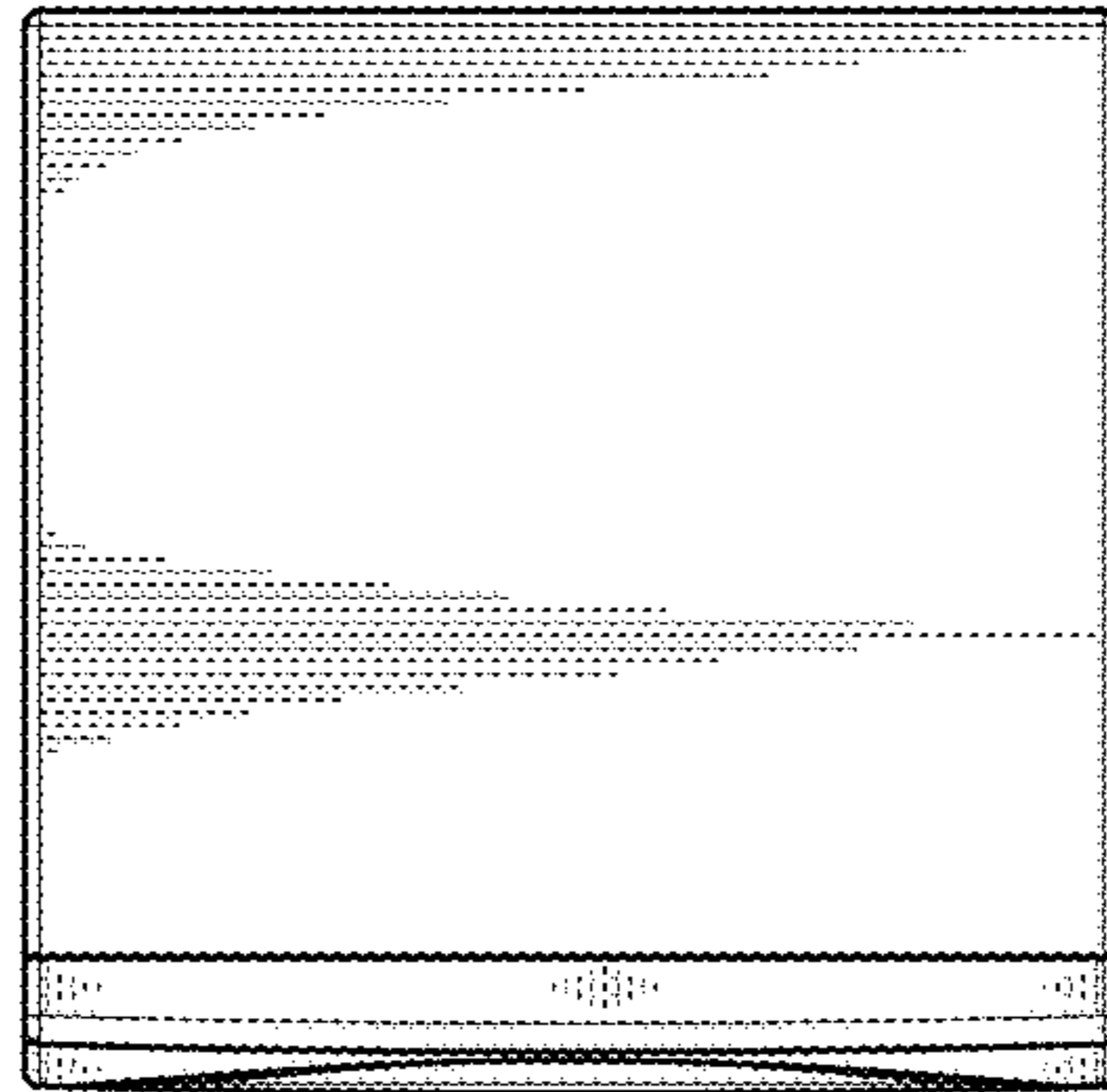


FIG.13

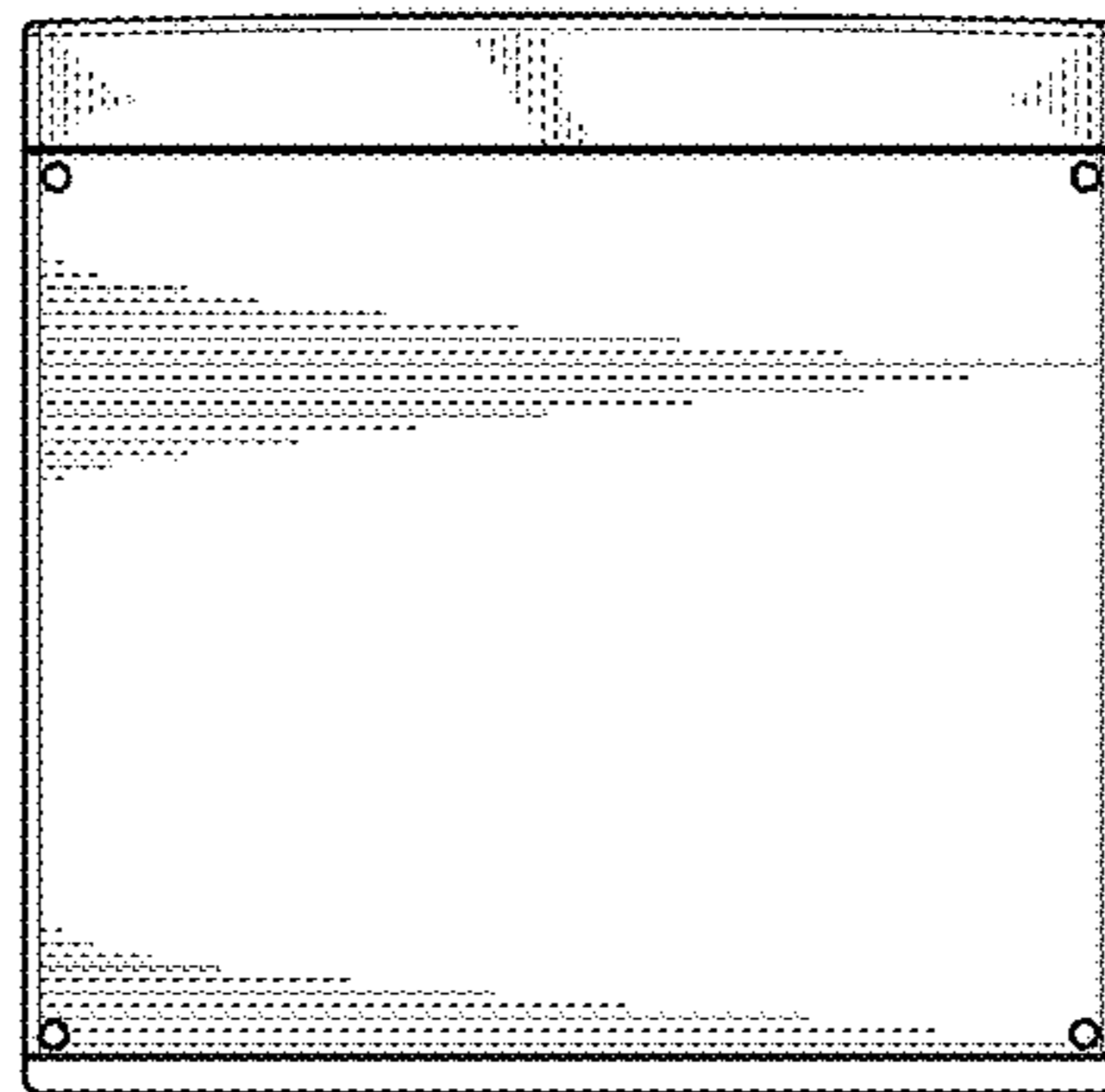


FIG.14

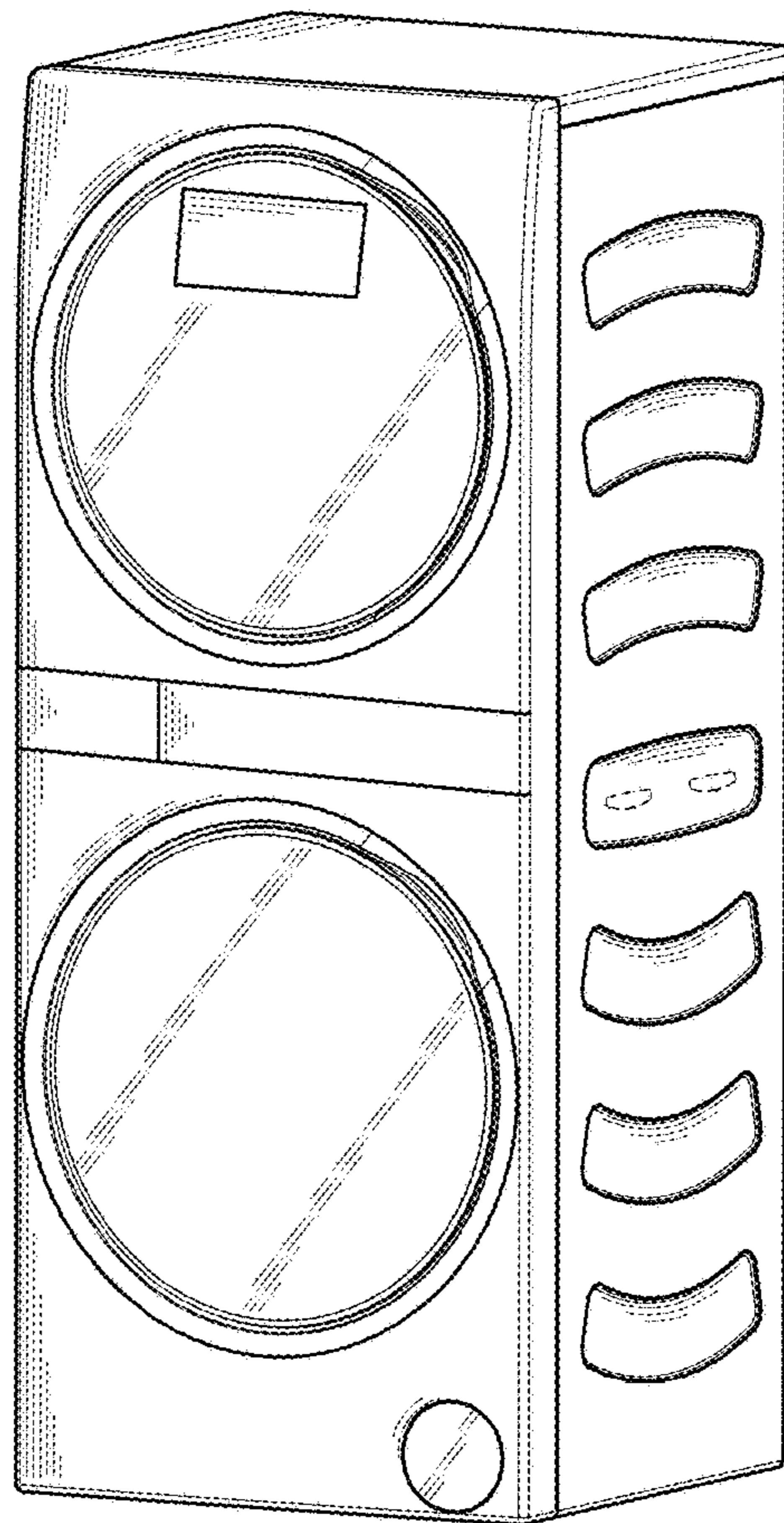


FIG.15

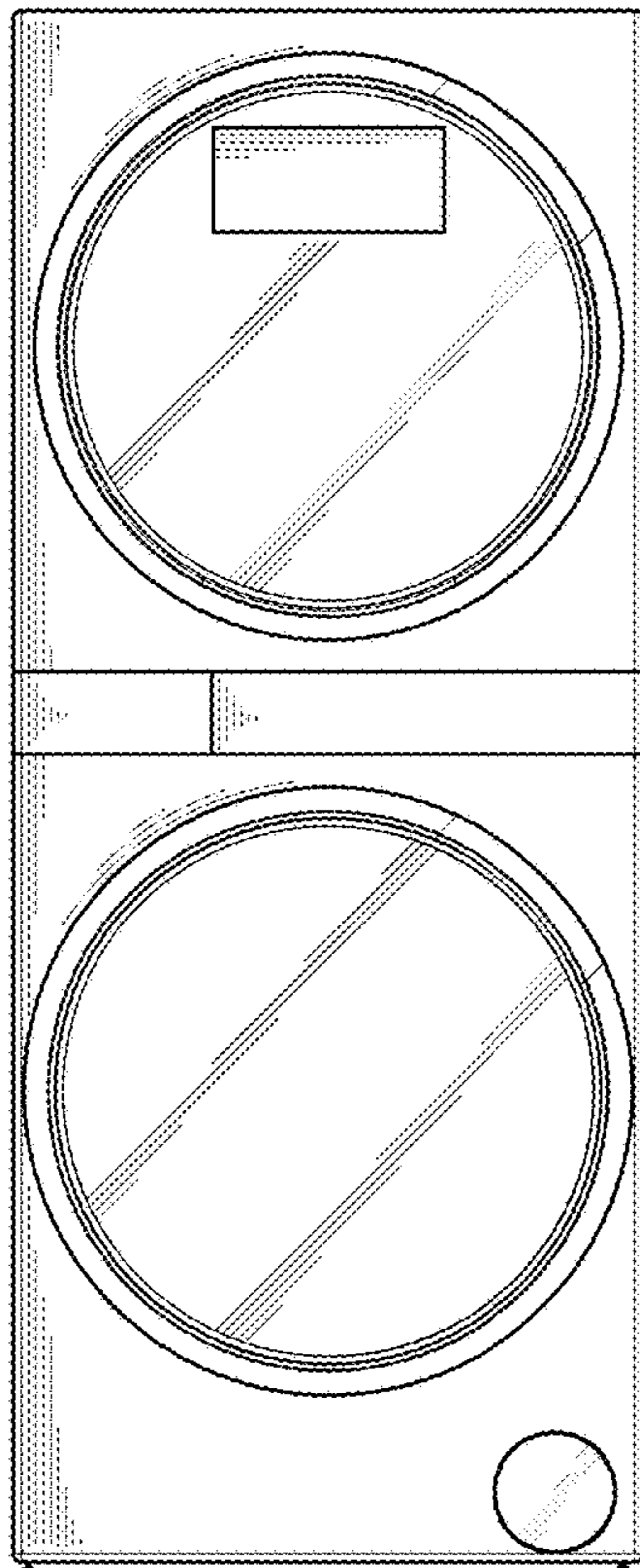


FIG.16

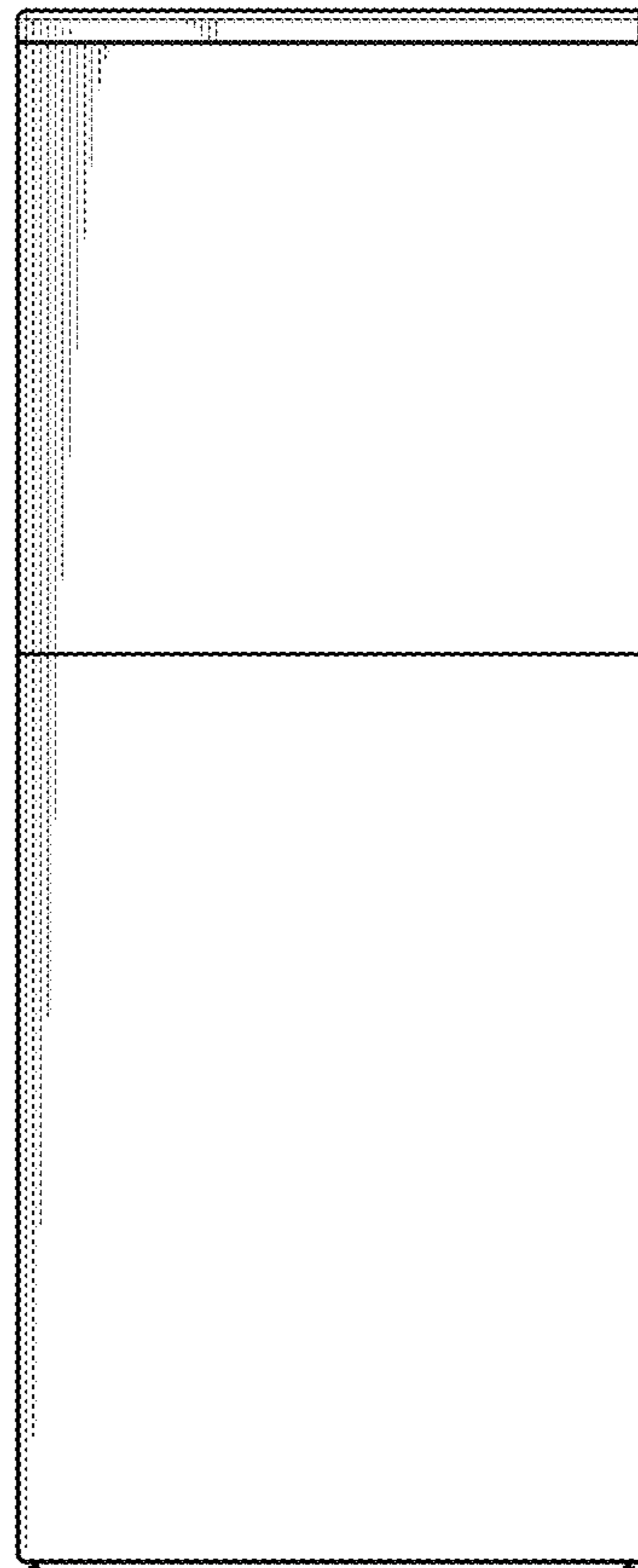


FIG.17

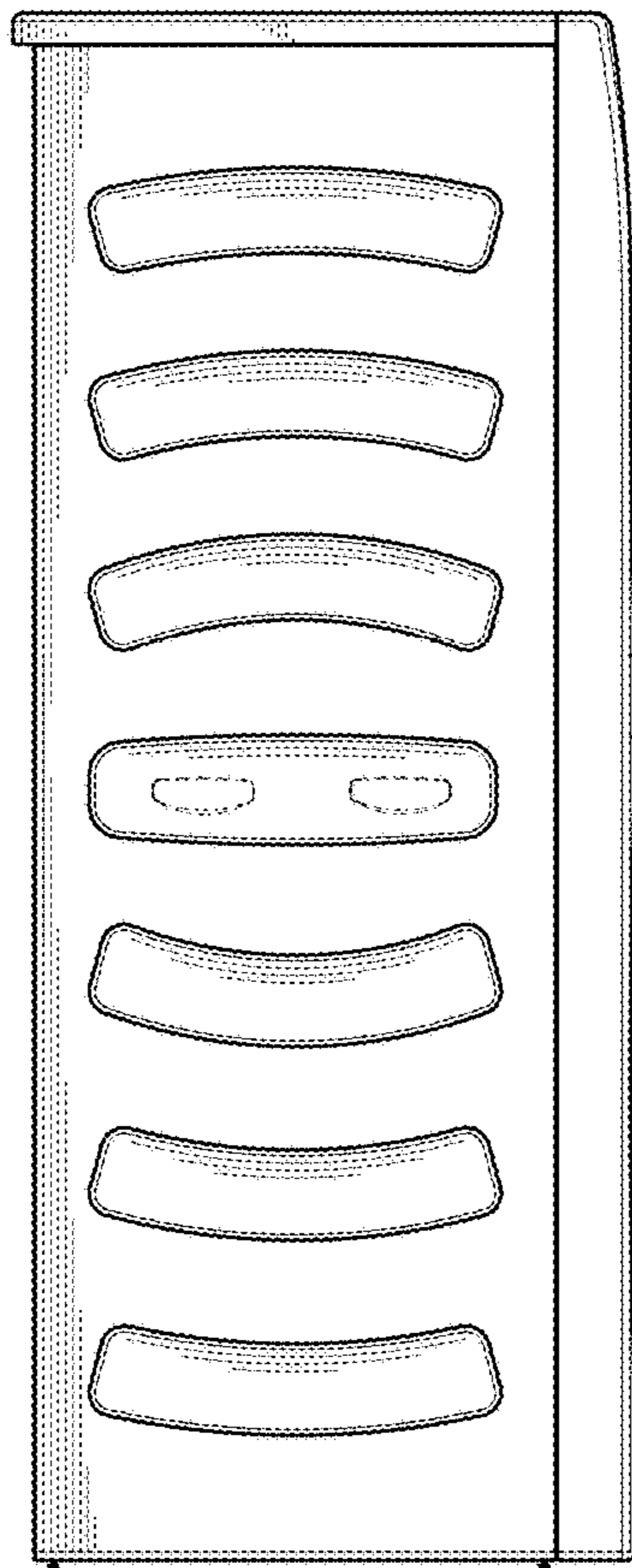


FIG. 18

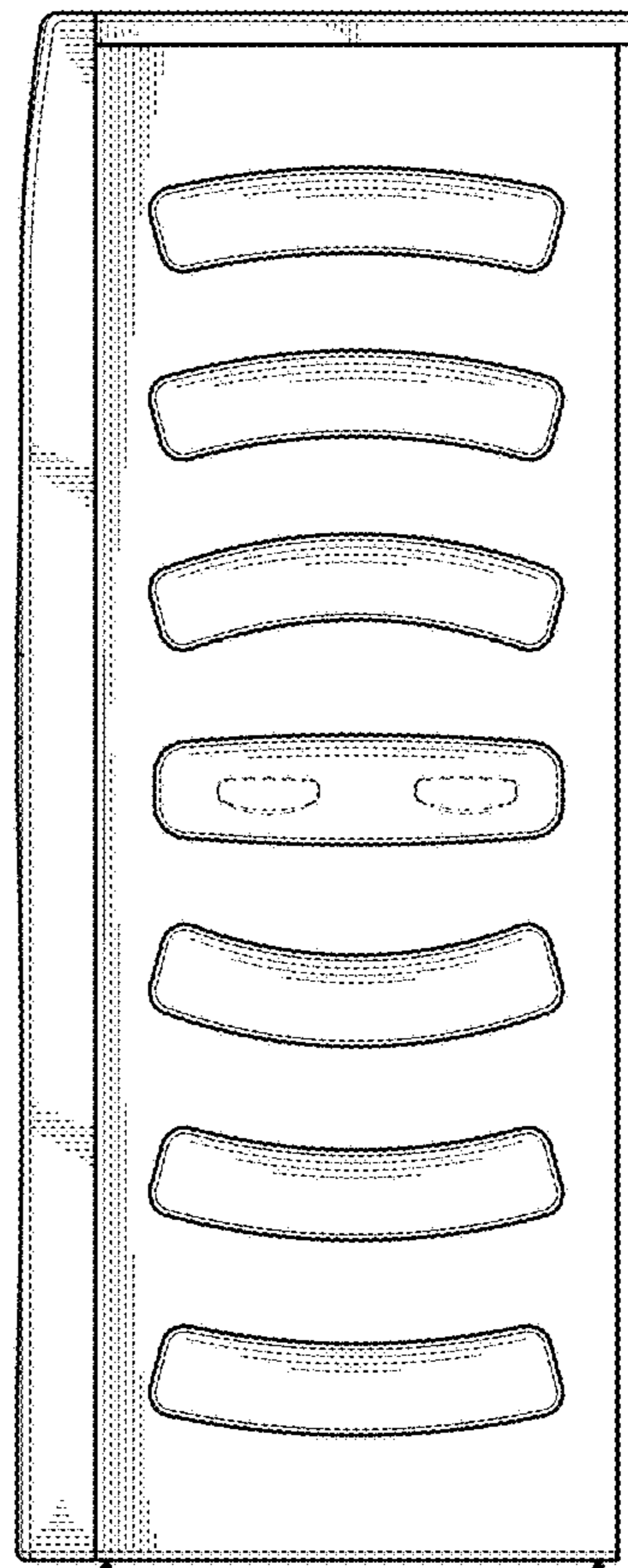


FIG. 19

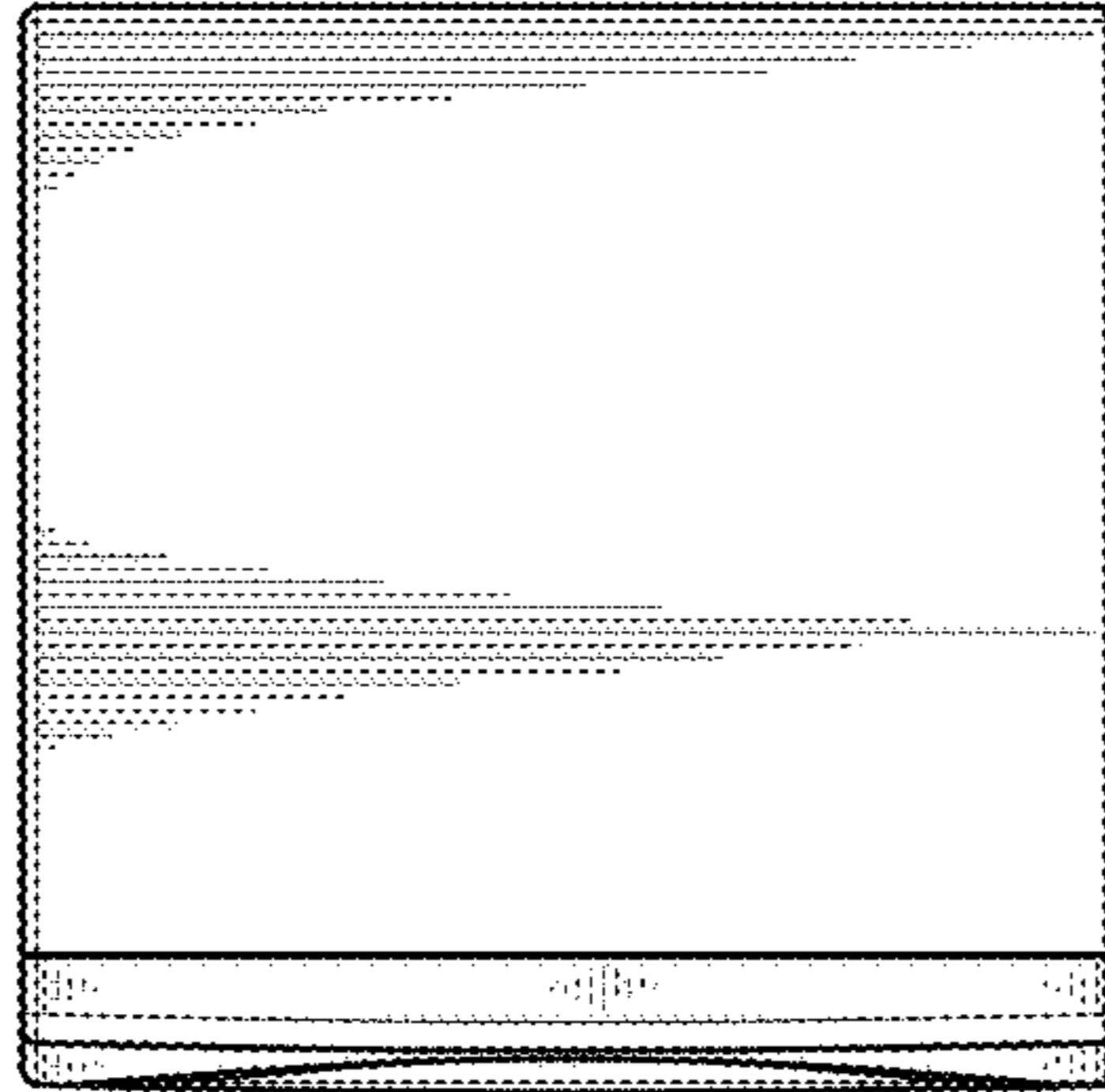


FIG.20

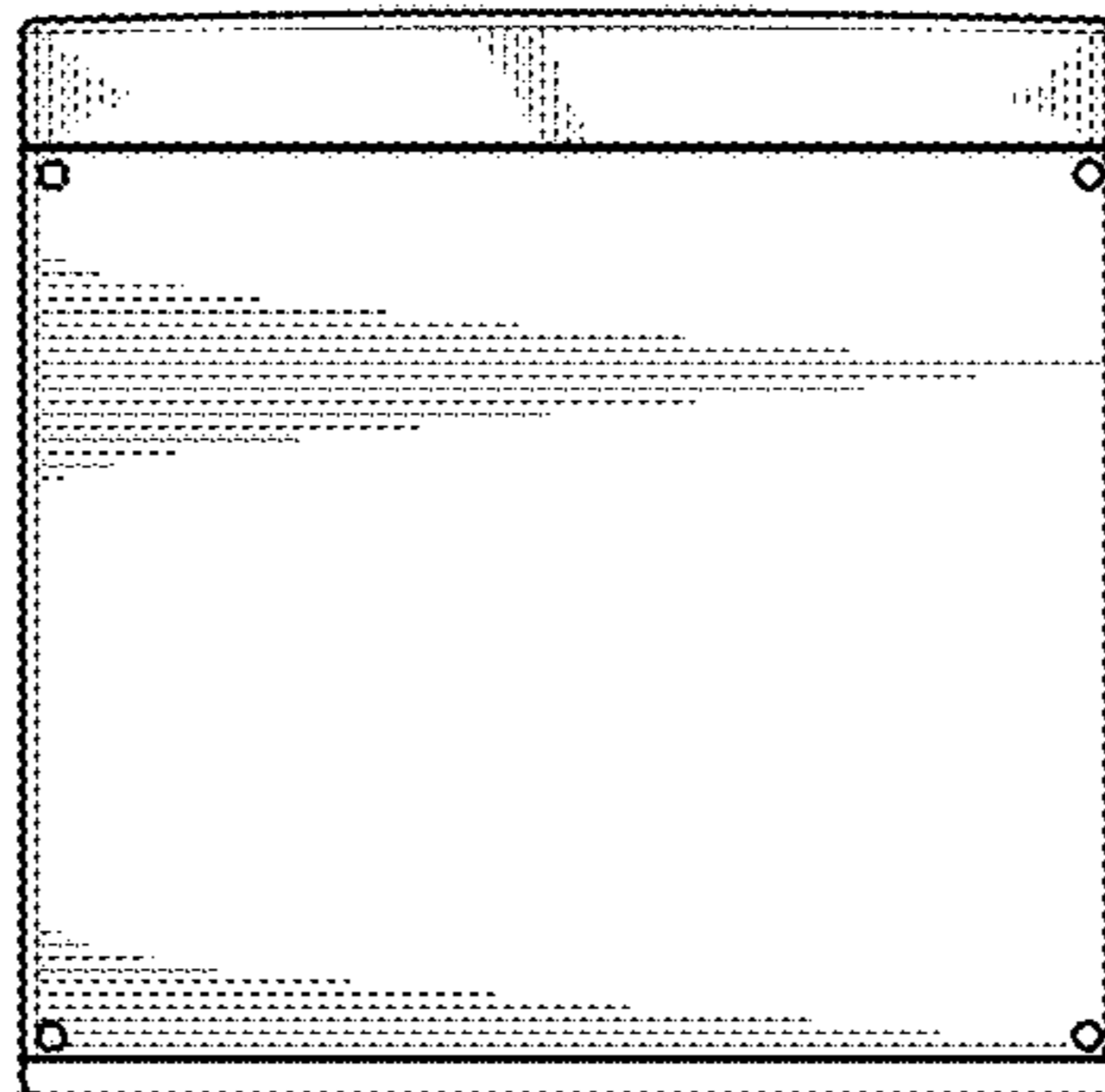


FIG.21

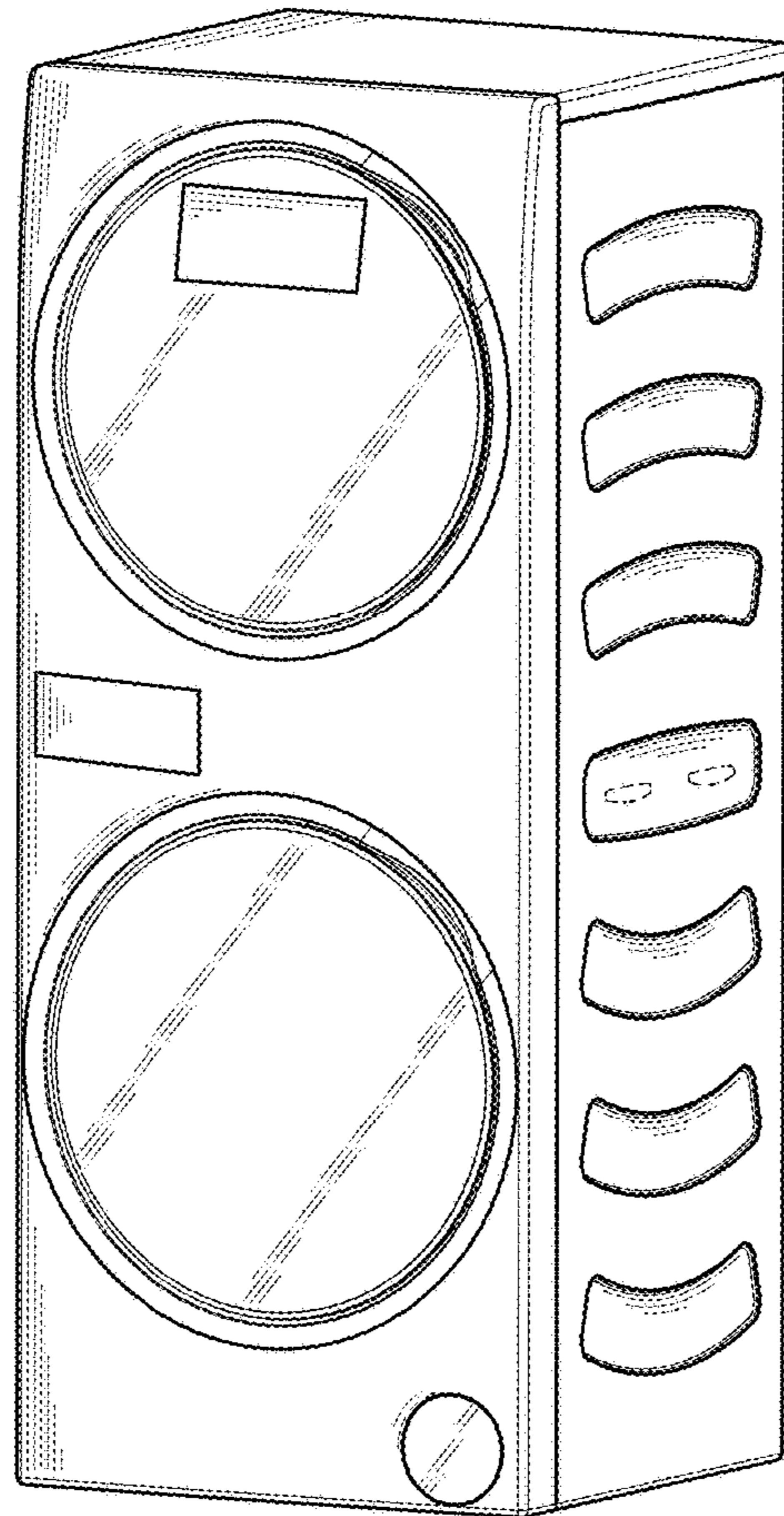


FIG.22

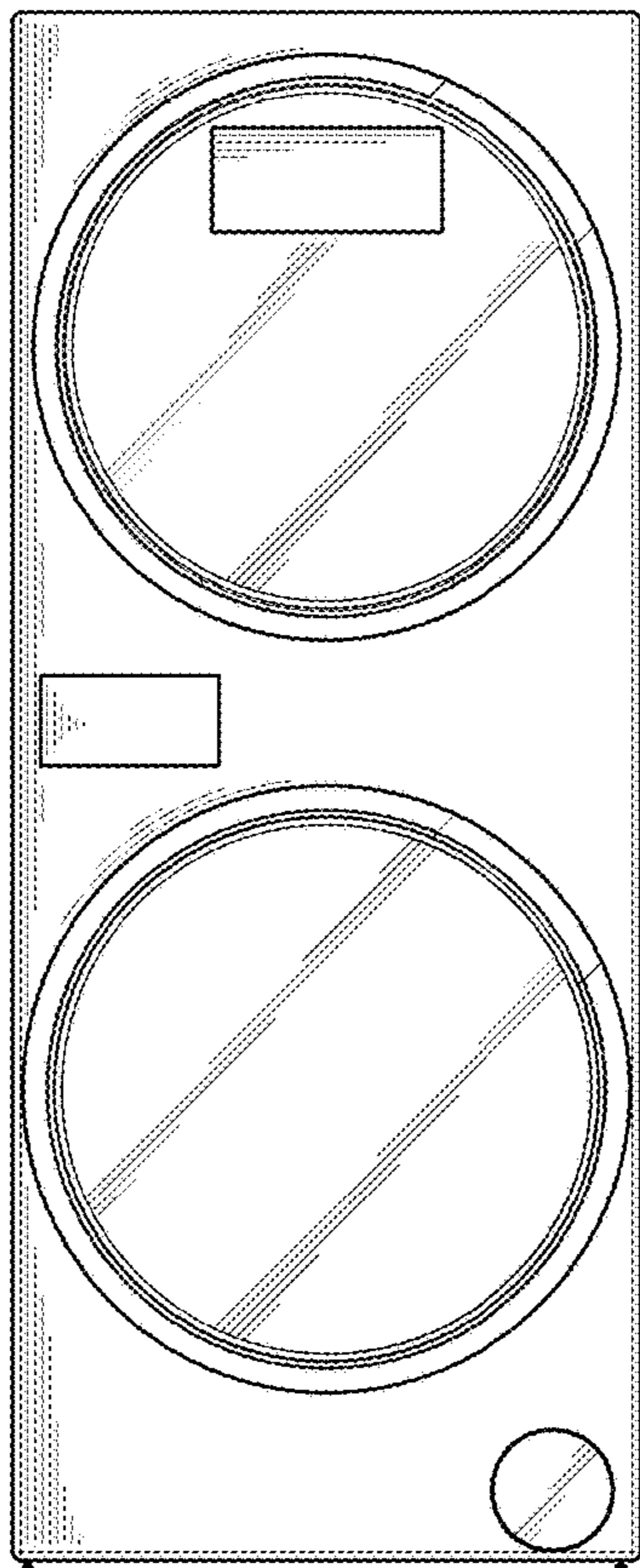


FIG.23

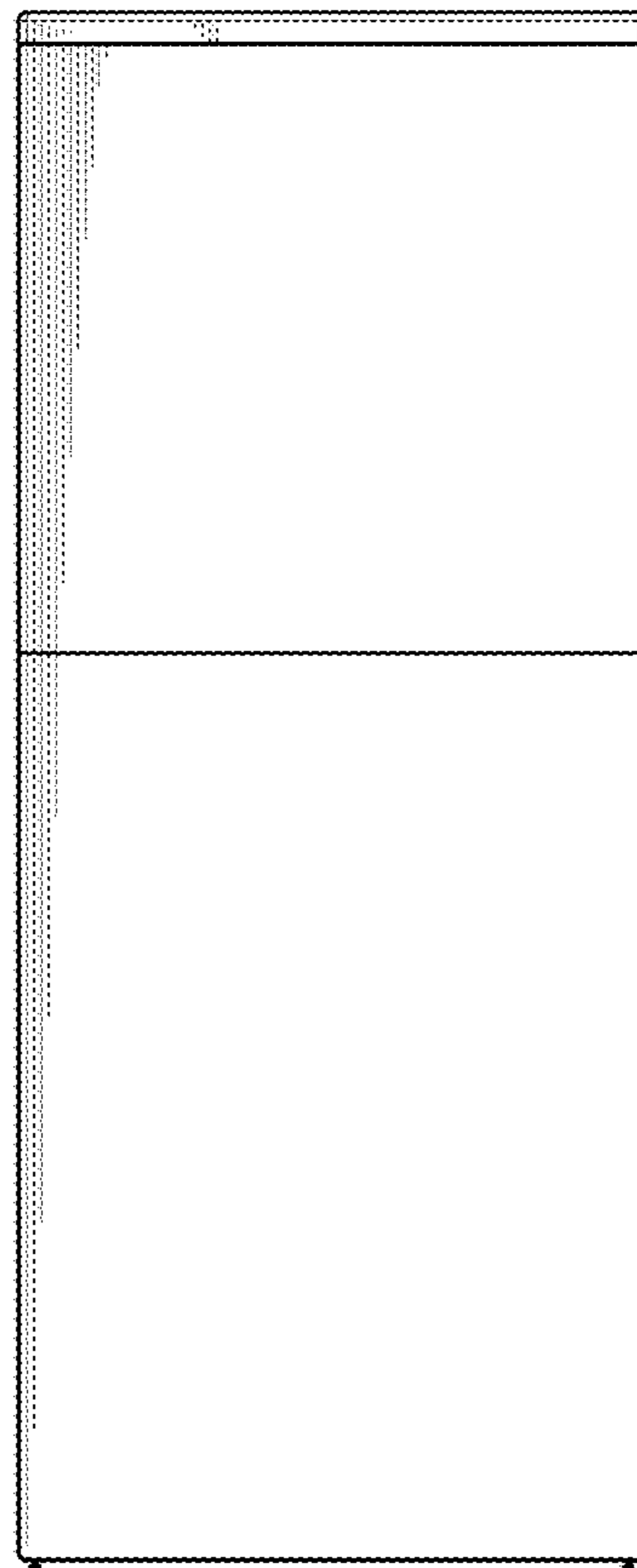


FIG.24

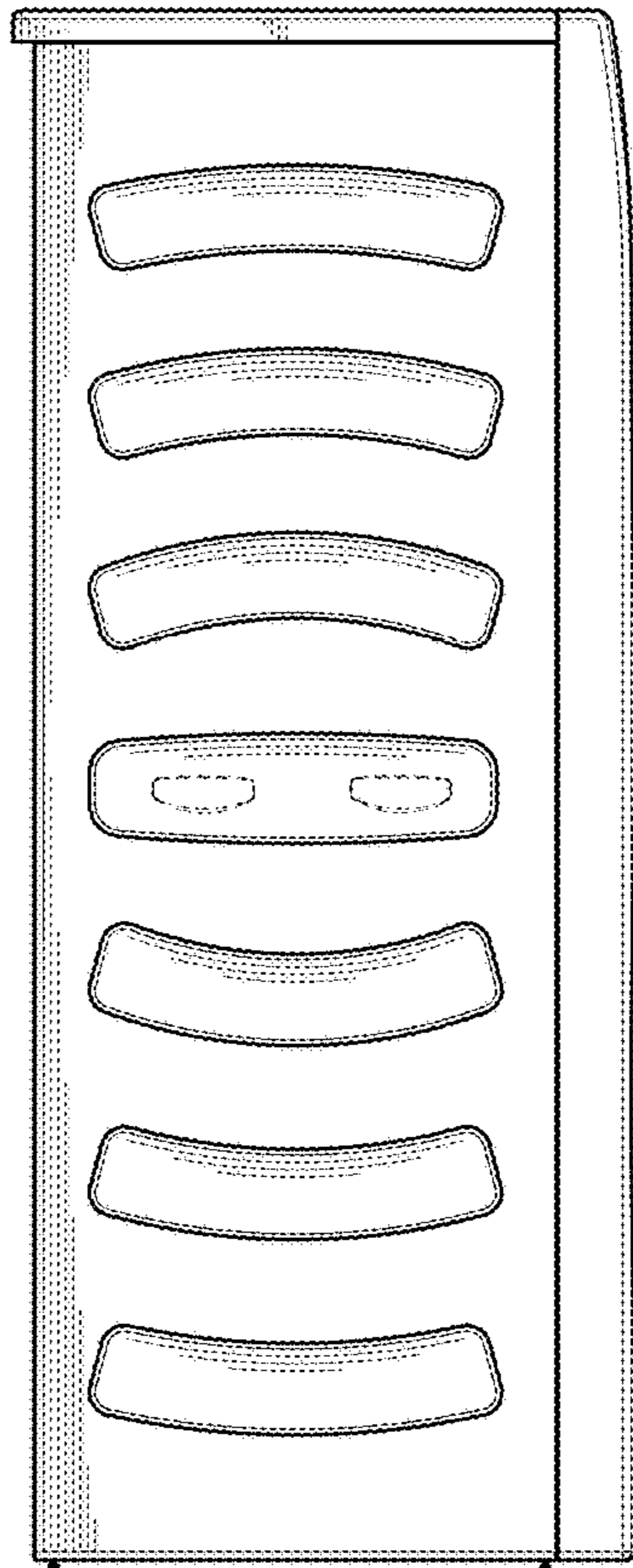


FIG. 25

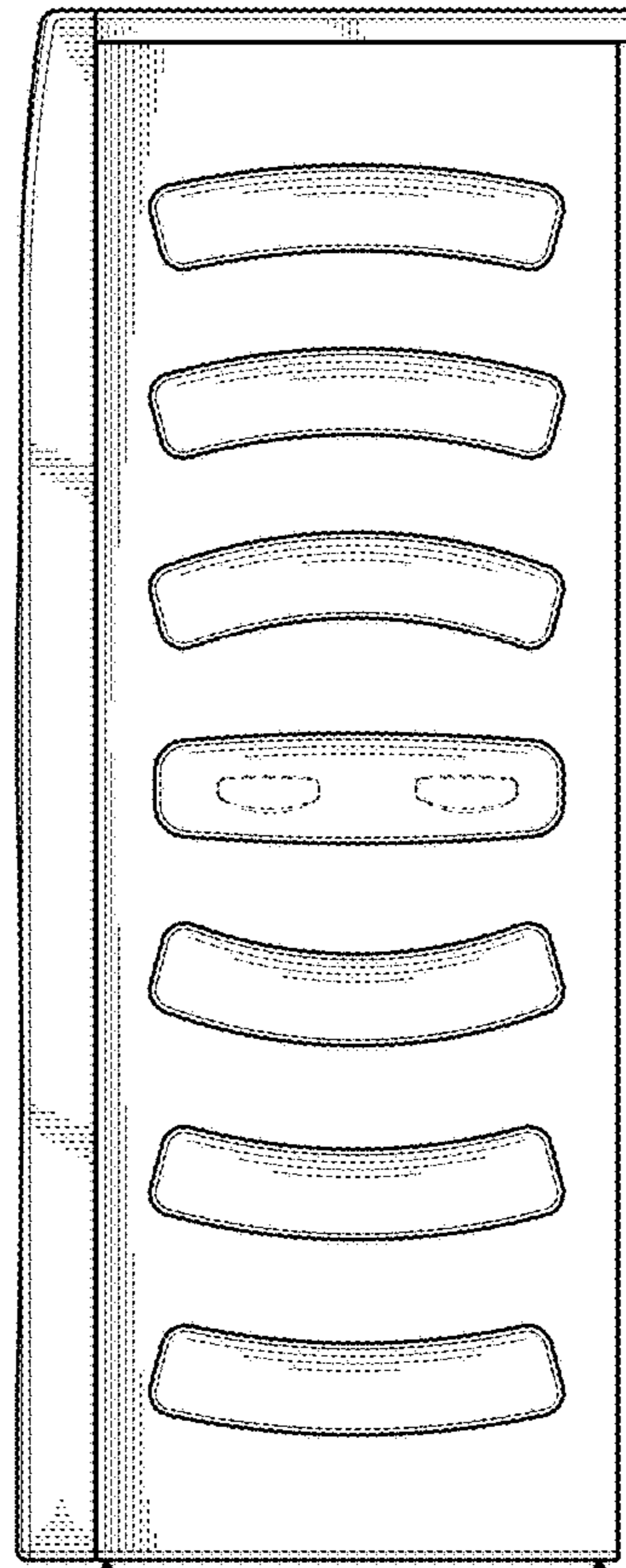


FIG. 26

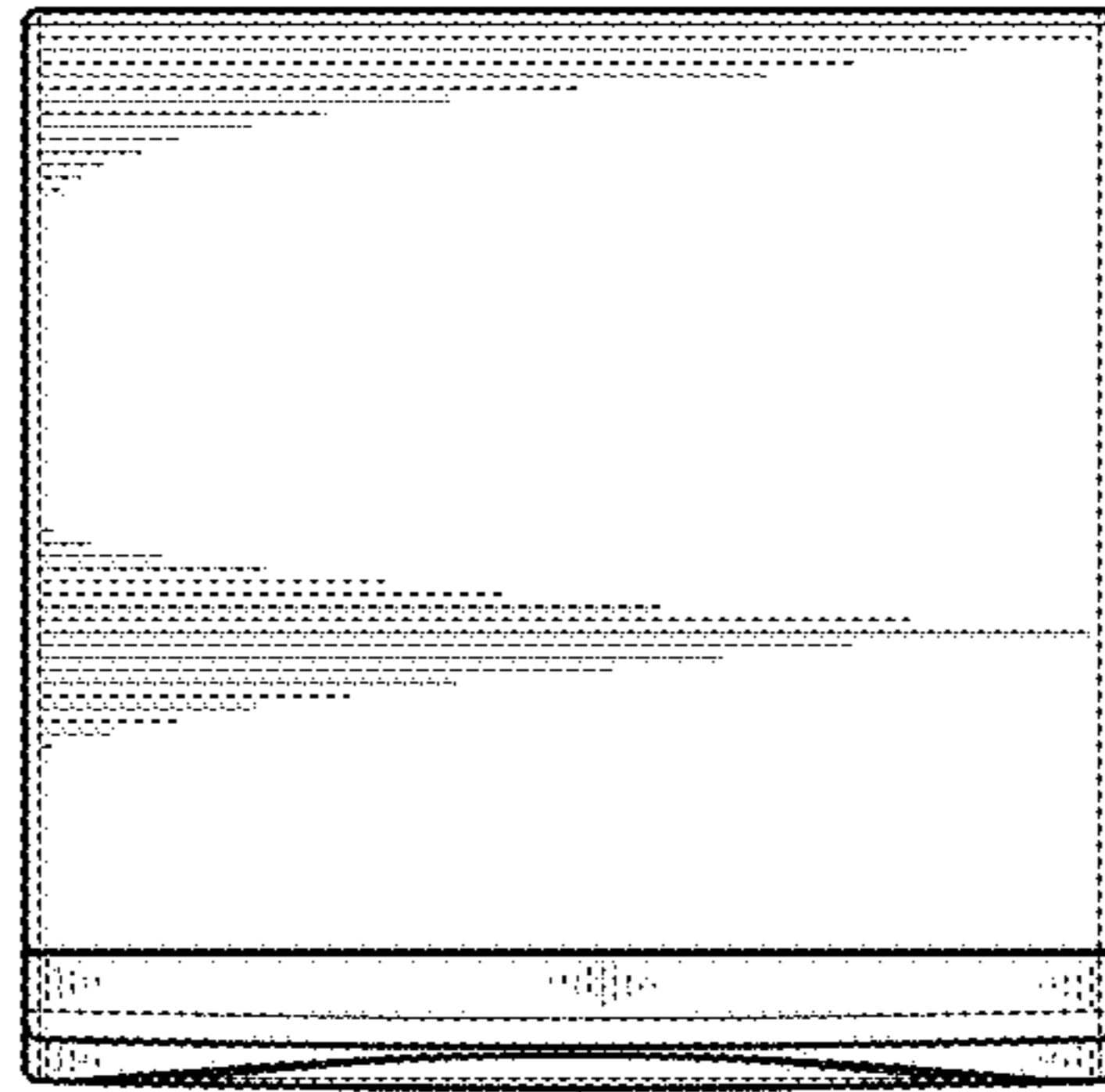


FIG.27

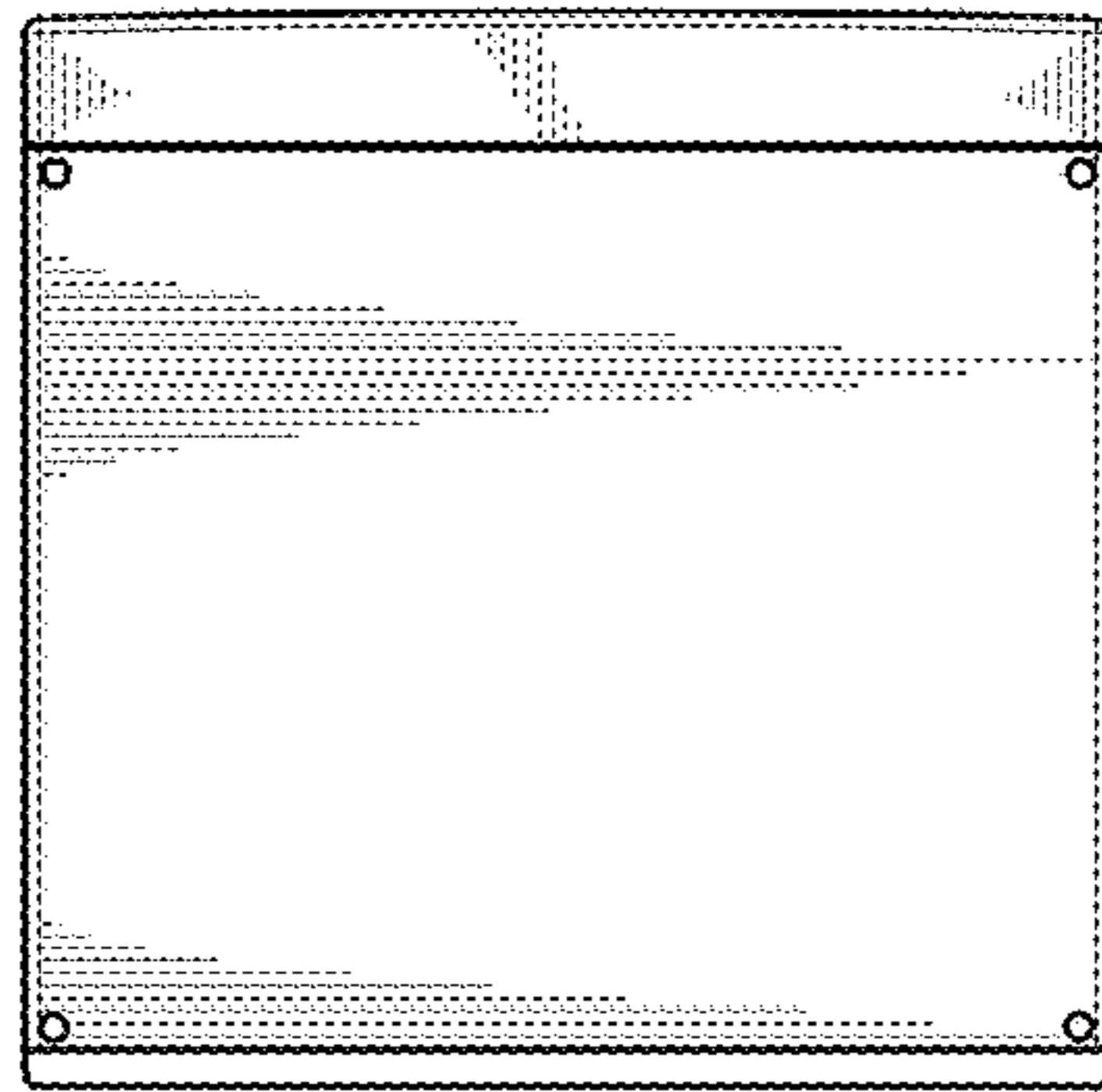


FIG.28

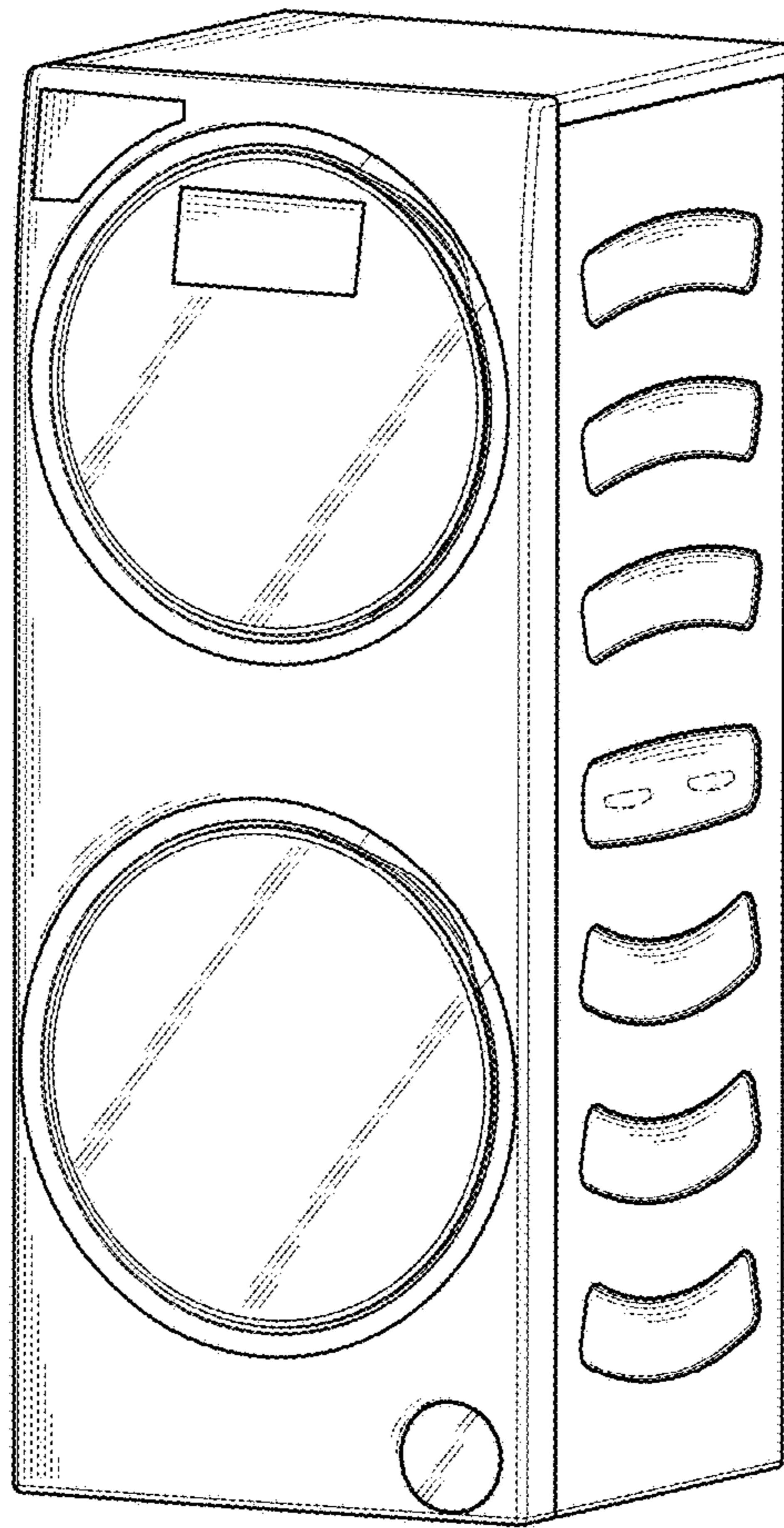


FIG.29

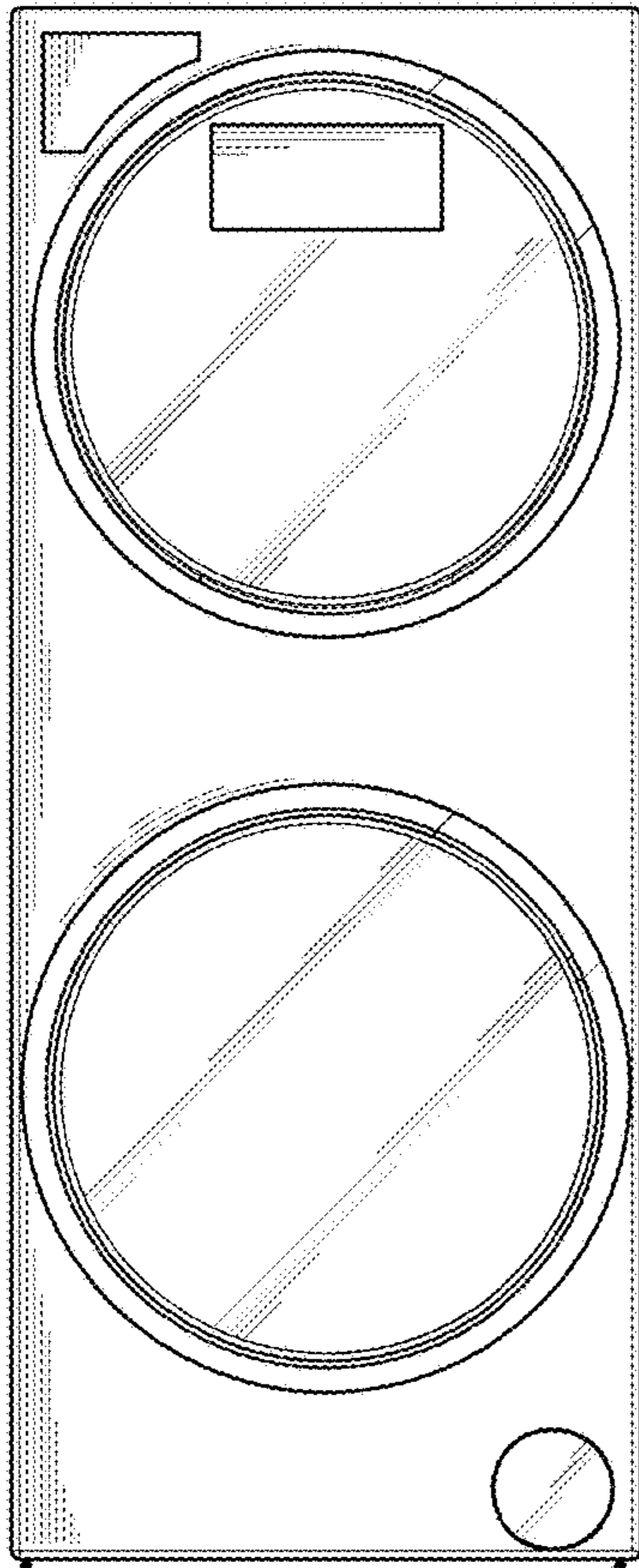


FIG.30

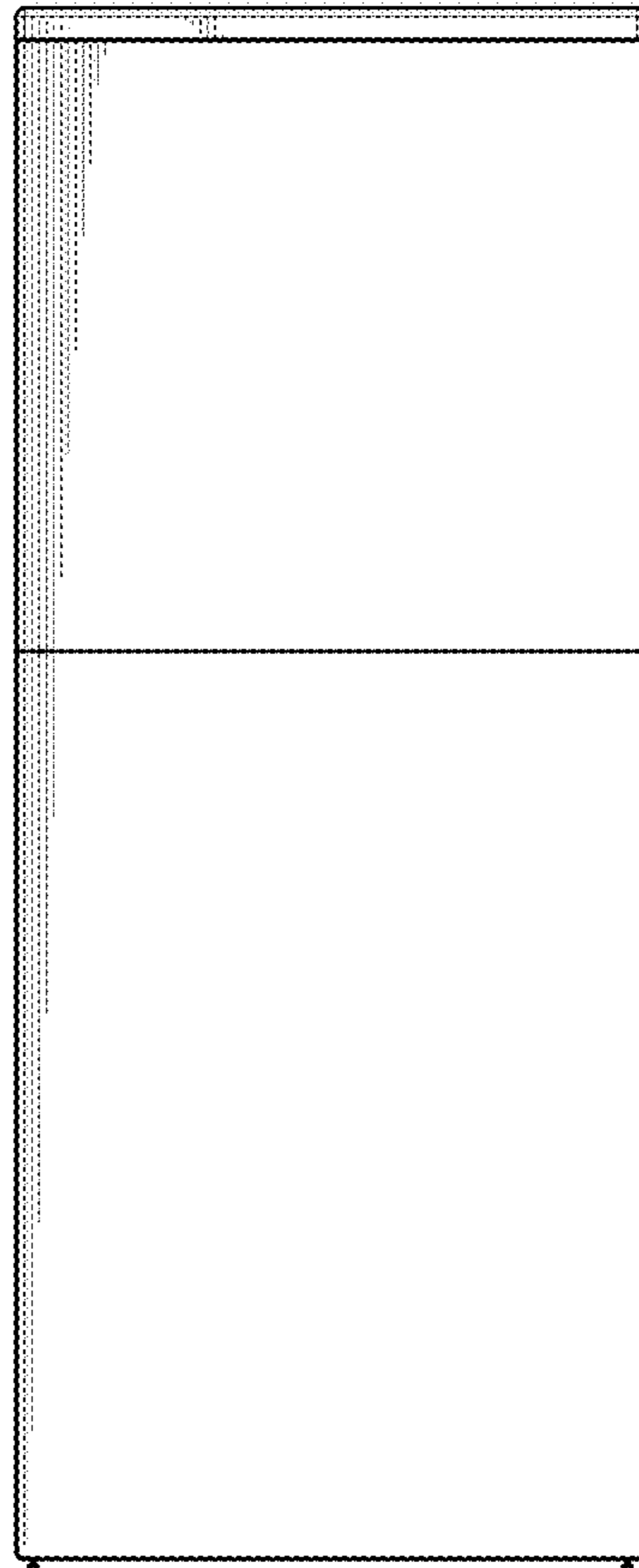


FIG.31

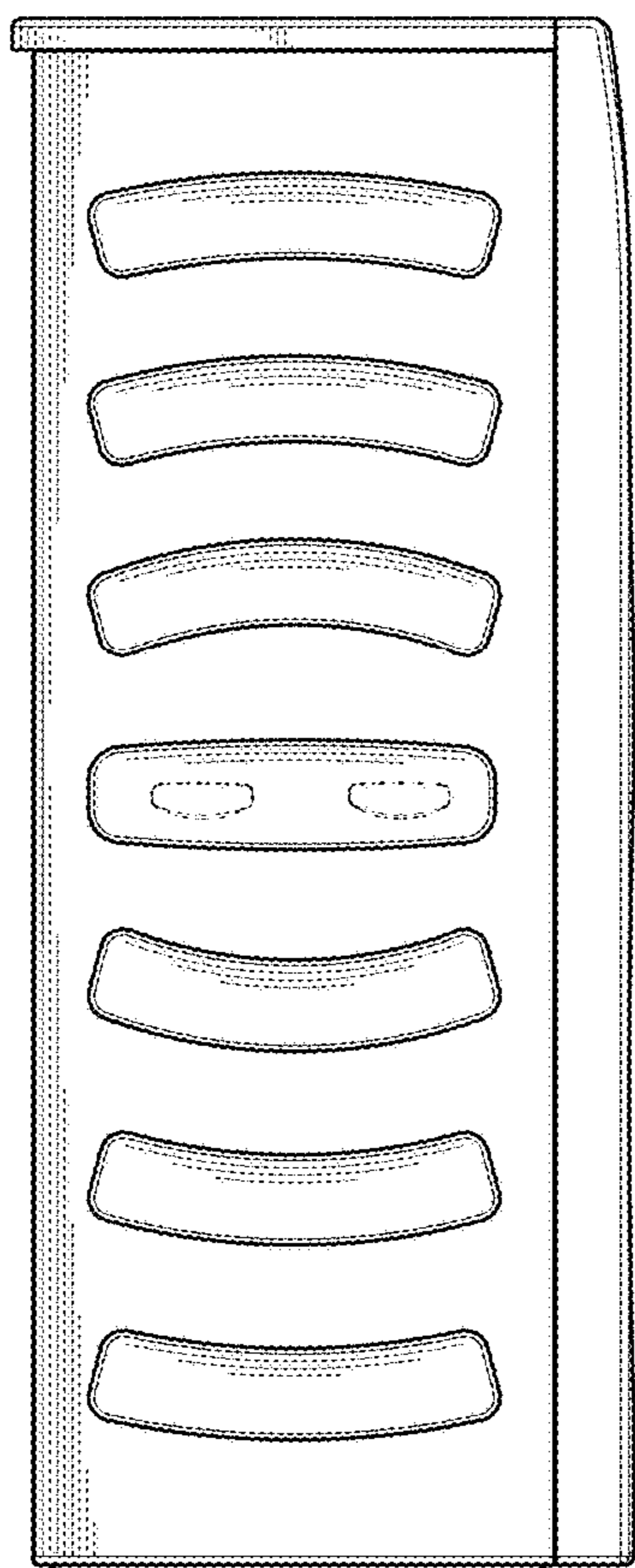


FIG.32

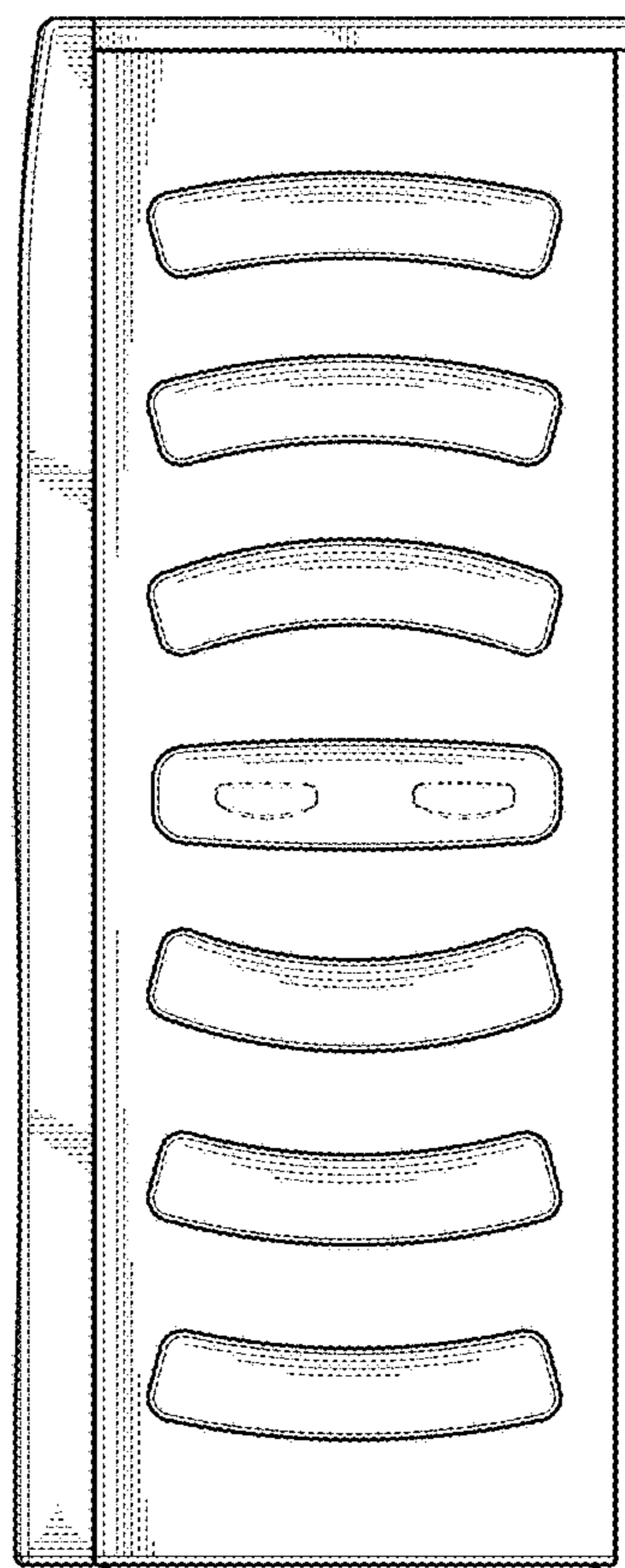


FIG.33

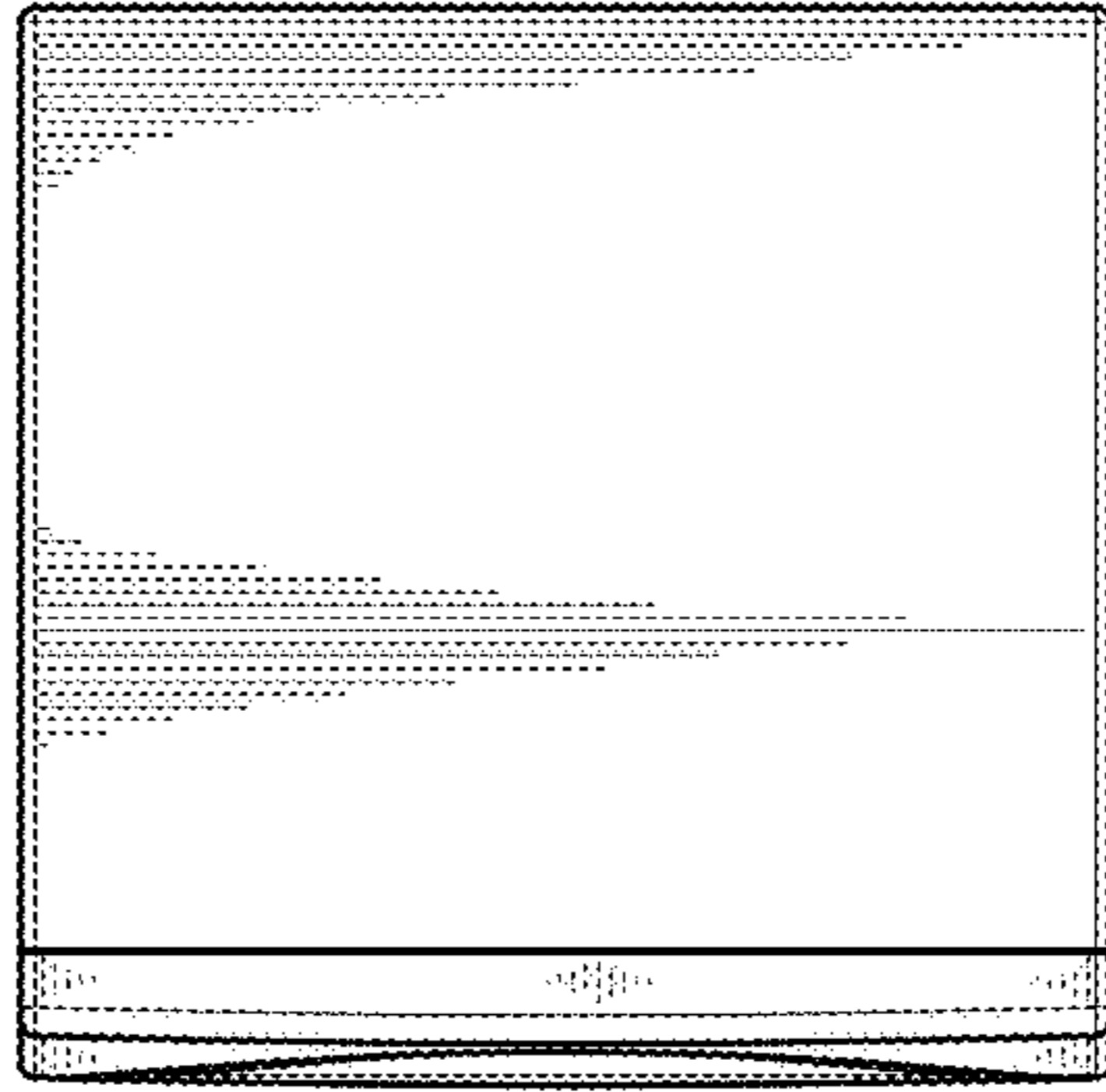


FIG.34

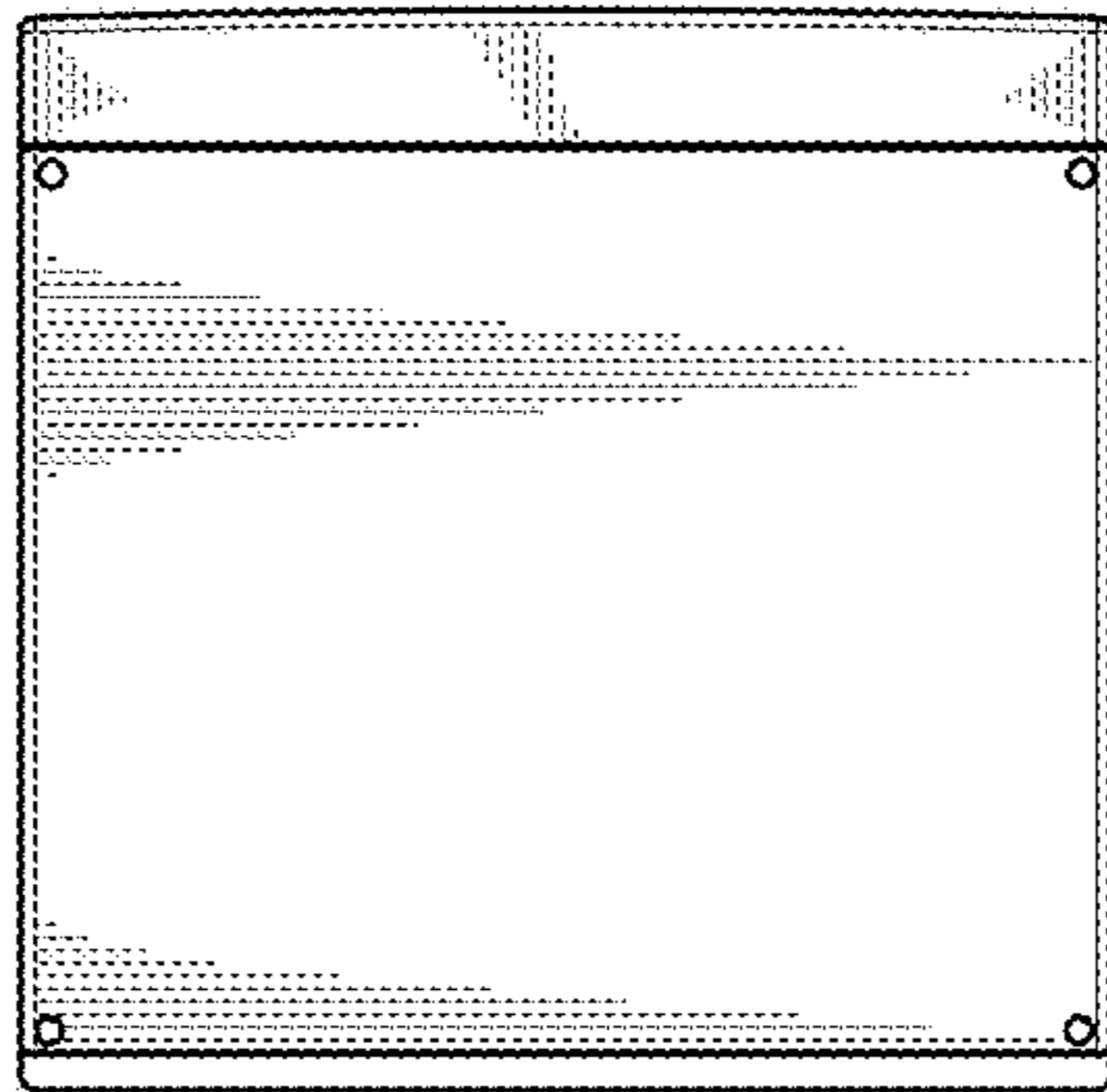


FIG.35

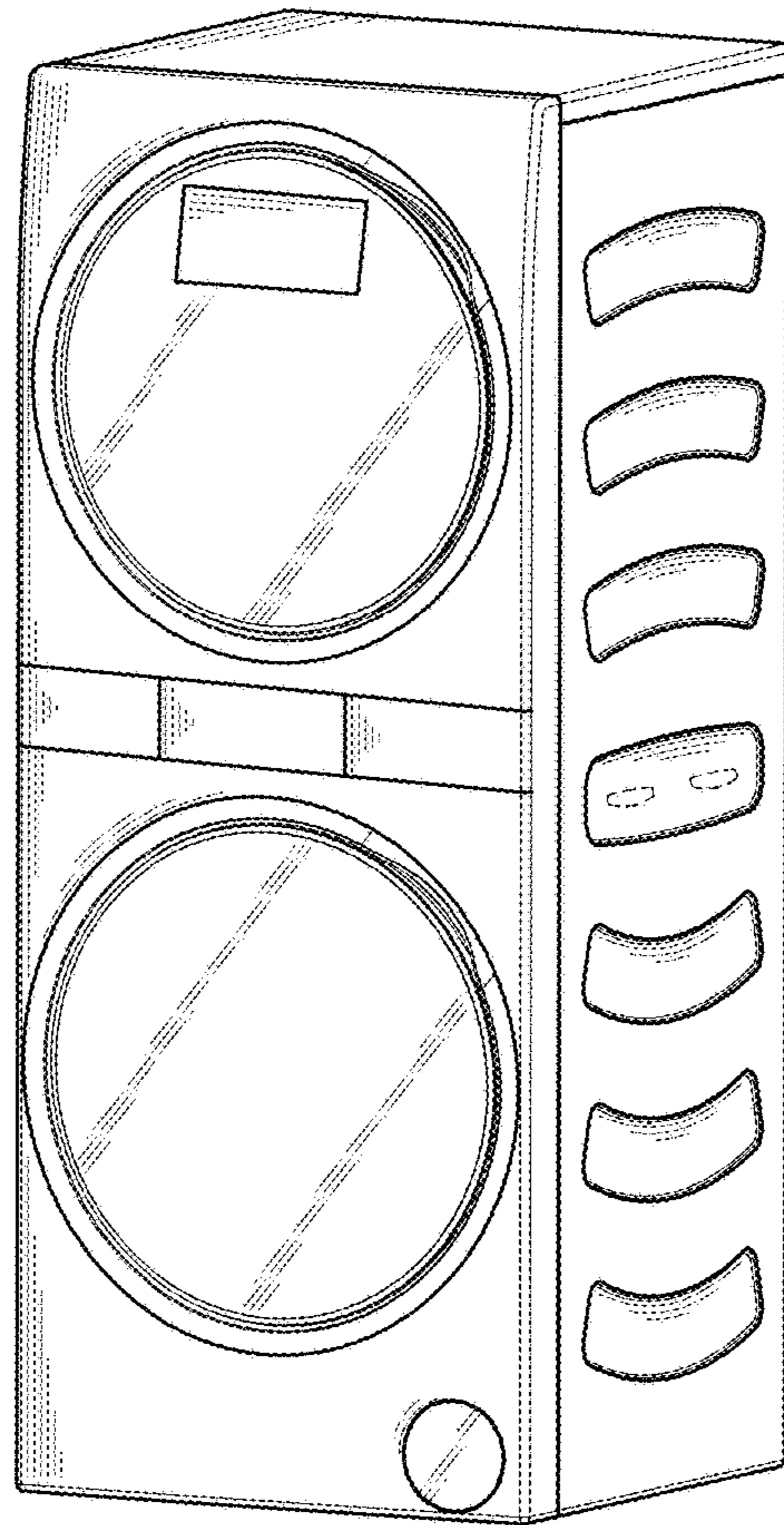


FIG.36

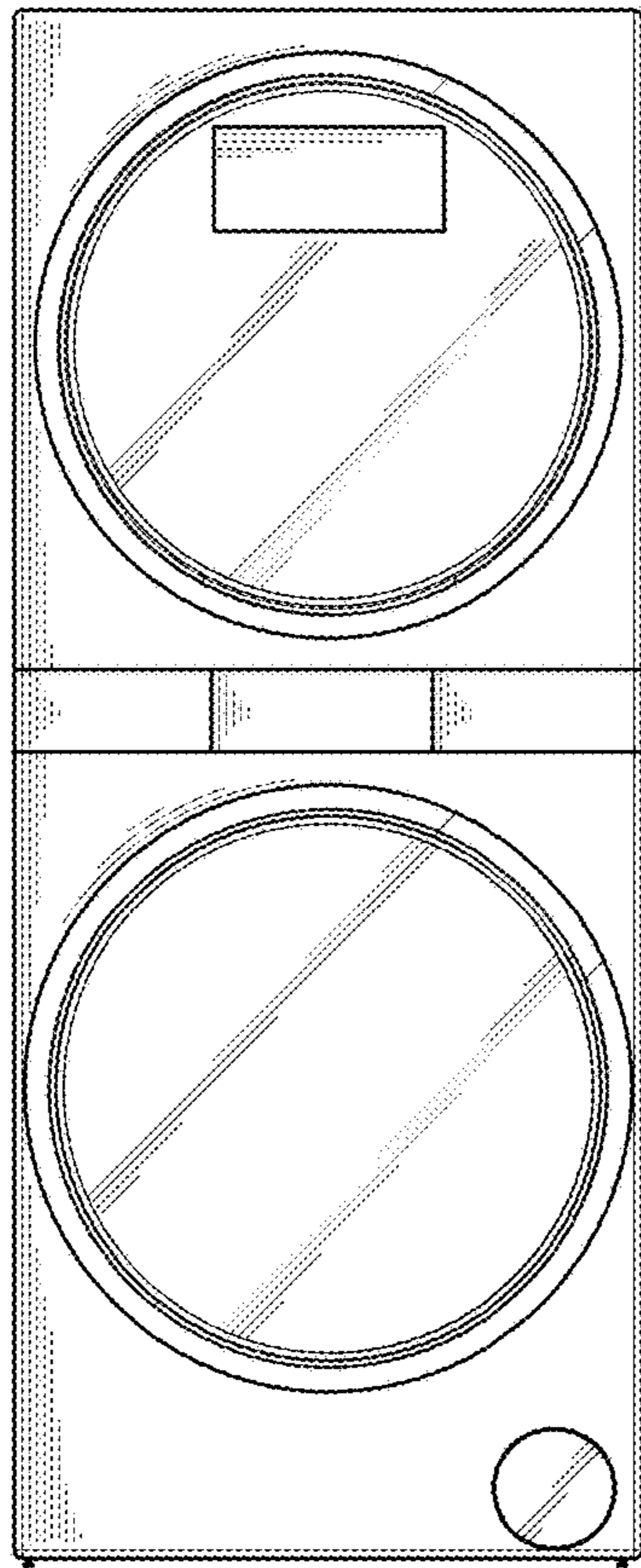


FIG.37

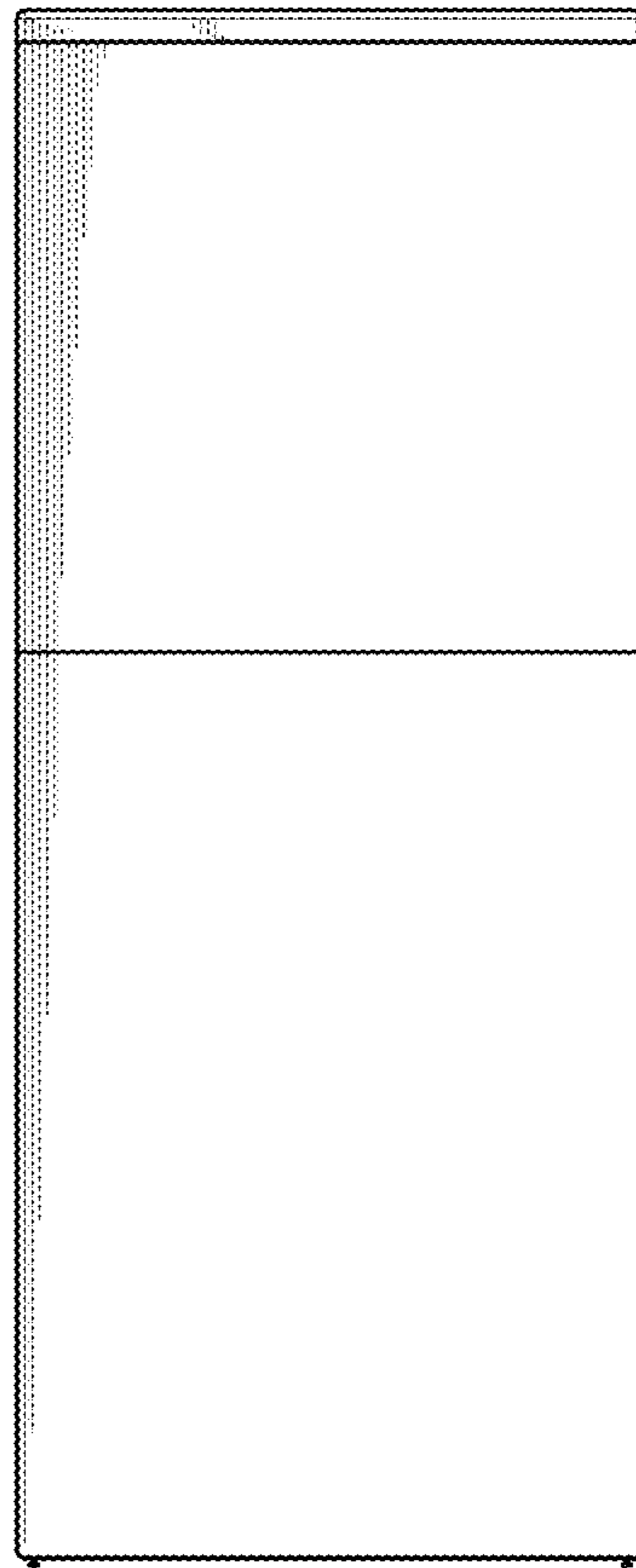


FIG.38

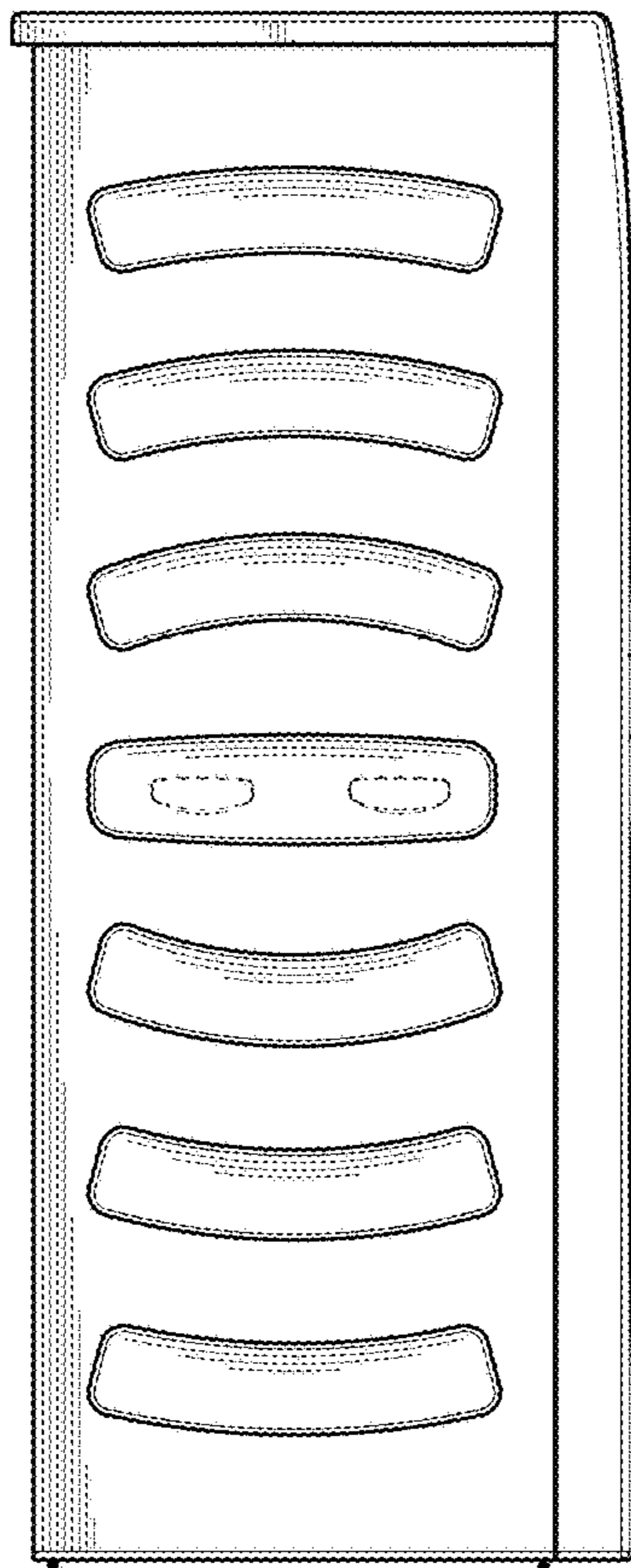


FIG.39

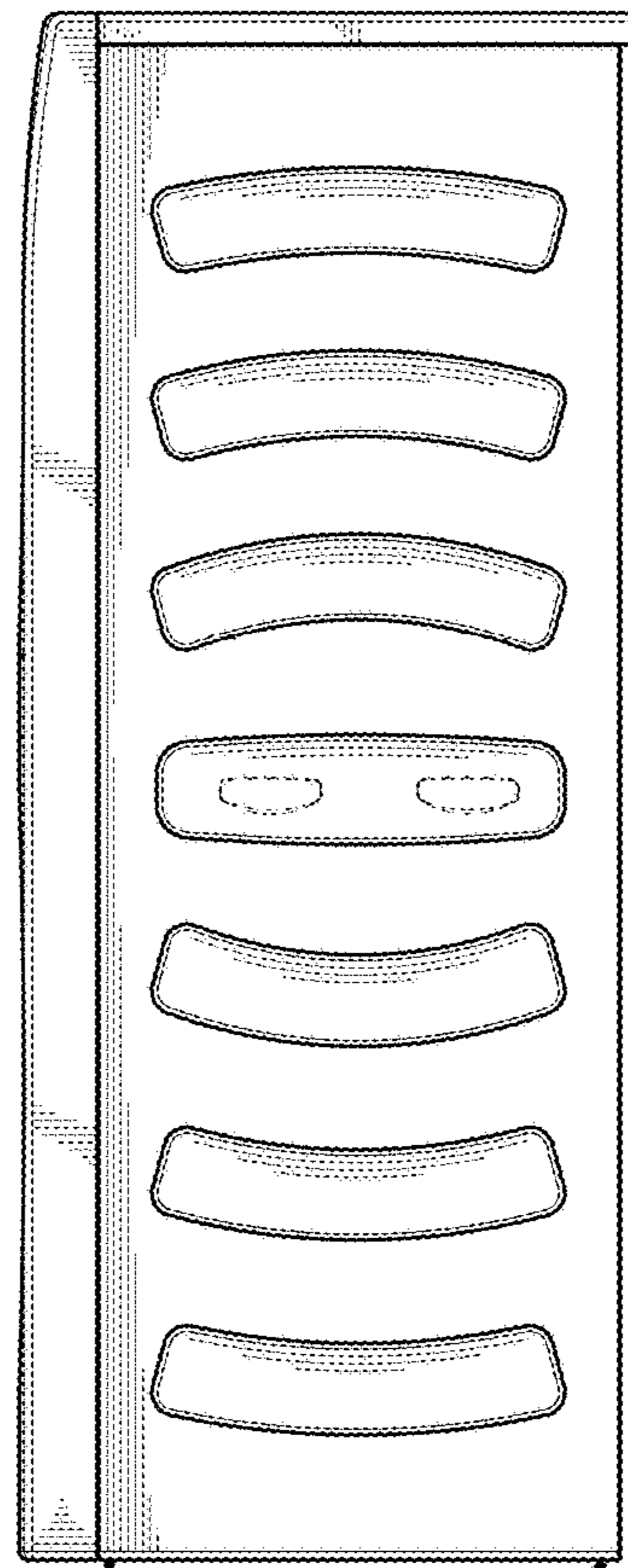


FIG.40

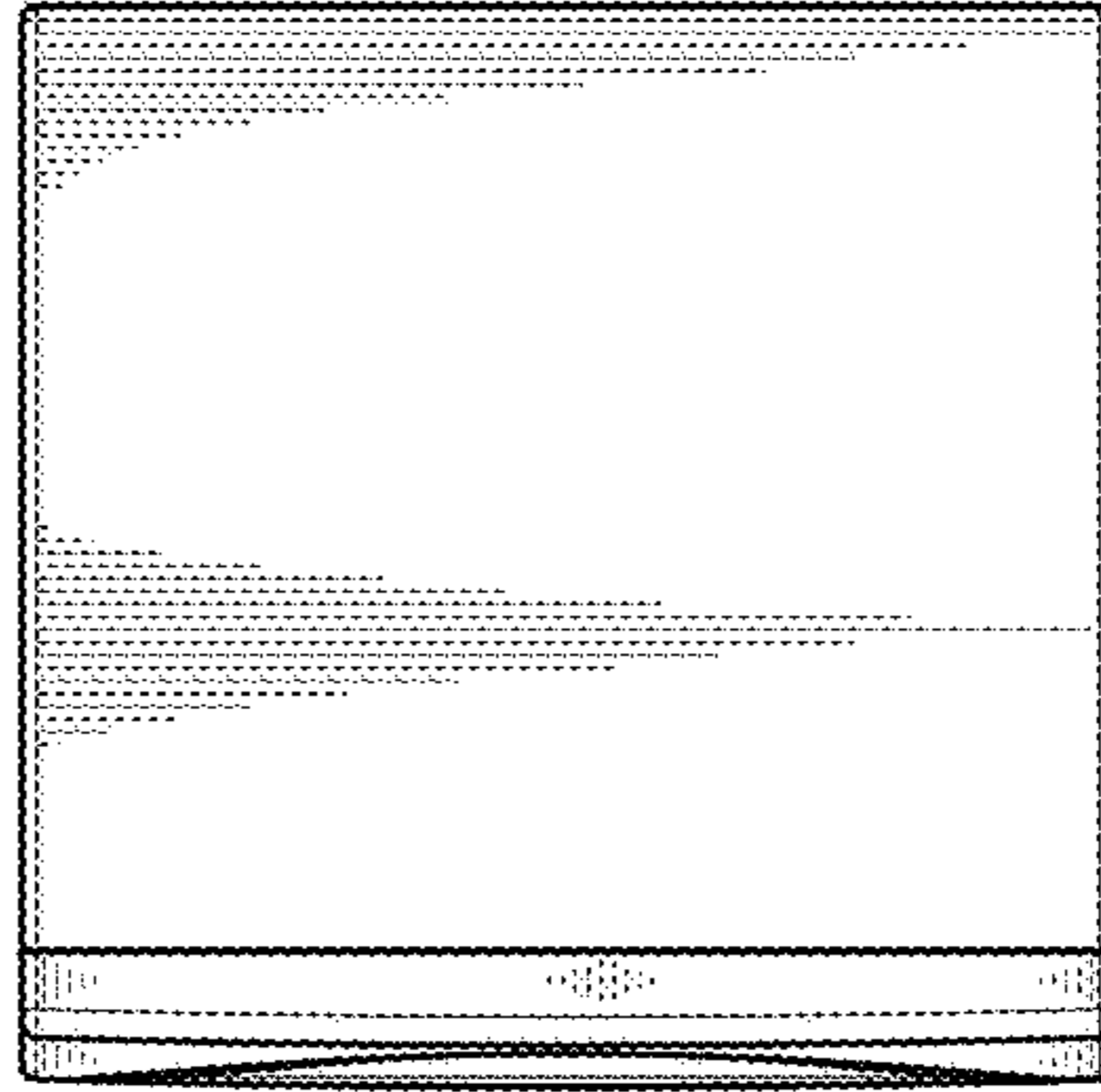


FIG. 41

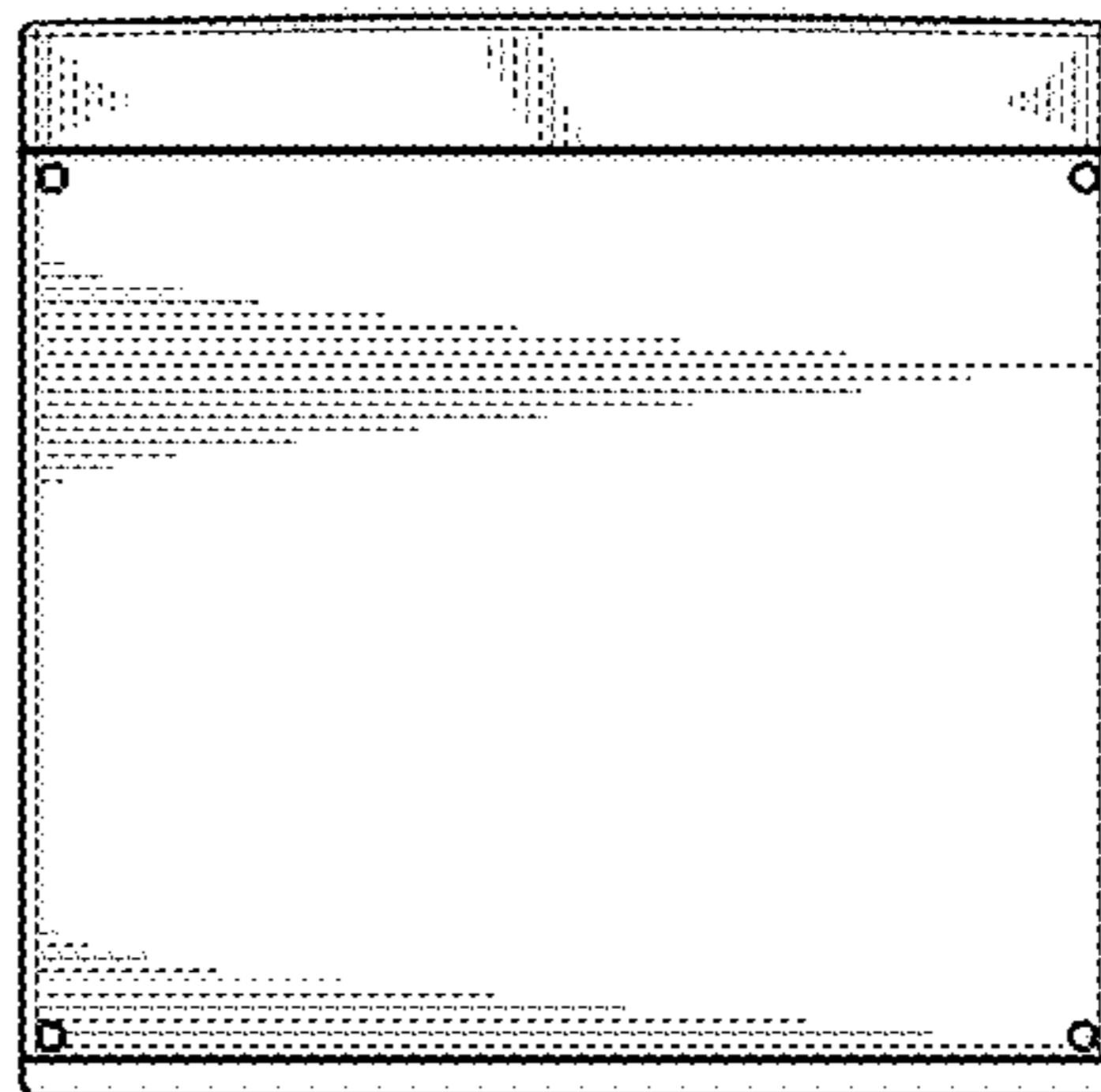


FIG. 42