



US00D851837S

(12) **United States Design Patent**  
**Lam**

(10) **Patent No.:** **US D851,837 S**  
(45) **Date of Patent:** **\*\* Jun. 18, 2019**

- (54) **DUAL COSMETIC CUSHION COMPACT**
- (71) Applicant: **Zero 02 Limited**, Hong Kong (CN)
- (72) Inventor: **Pui Yu Lam**, Hong Kong (CN)
- (73) Assignee: **Zero 02 Limited**, Hong Kong (CN)
- (\*\*) Term: **15 Years**

D836,842 S *	12/2018	Staab .....	D28/83
D837,453 S *	1/2019	Angles-D'Auriac .....	D28/83
2006/0027481 A1 *	2/2006	Gelardi .....	A45D 33/008 206/581
2013/0133686 A1 *	5/2013	Shteytsel .....	A45D 40/24 132/314
2014/0299151 A1 *	10/2014	Stroud .....	A45D 33/008 132/315

- (21) Appl. No.: **29/638,843**
- (22) Filed: **Mar. 1, 2018**
- (51) **LOC (11) Cl.** ..... **28-03**
- (52) **U.S. Cl.**  
USPC ..... **D28/83**
- (58) **Field of Classification Search**  
USPC .... D28/64.1, 76-84; D9/503-505, 722, 529,  
D9/737, 756, 759; D3/295  
CPC ..... A45D 33/006; A45D 33/003; A45D  
33/04-33/33; A45D 33/025; A45D 33/02;  
A45D 33/20; A45D 33/22; A45D 33/24;  
A45D 33/26; A45D 33/28; A45D 33/18;  
A45D 40/22; A45D 40/222; A45D 40/24  
See application file for complete search history.

\* cited by examiner

*Primary Examiner* — Jennifer Rivard  
*Assistant Examiner* — Alison M Ofstun  
(74) *Attorney, Agent, or Firm* — Maier & Maier, PLLC

(57) **CLAIM**

The ornamental design for a dual cosmetic cushion compact, as shown and described.

**DESCRIPTION**

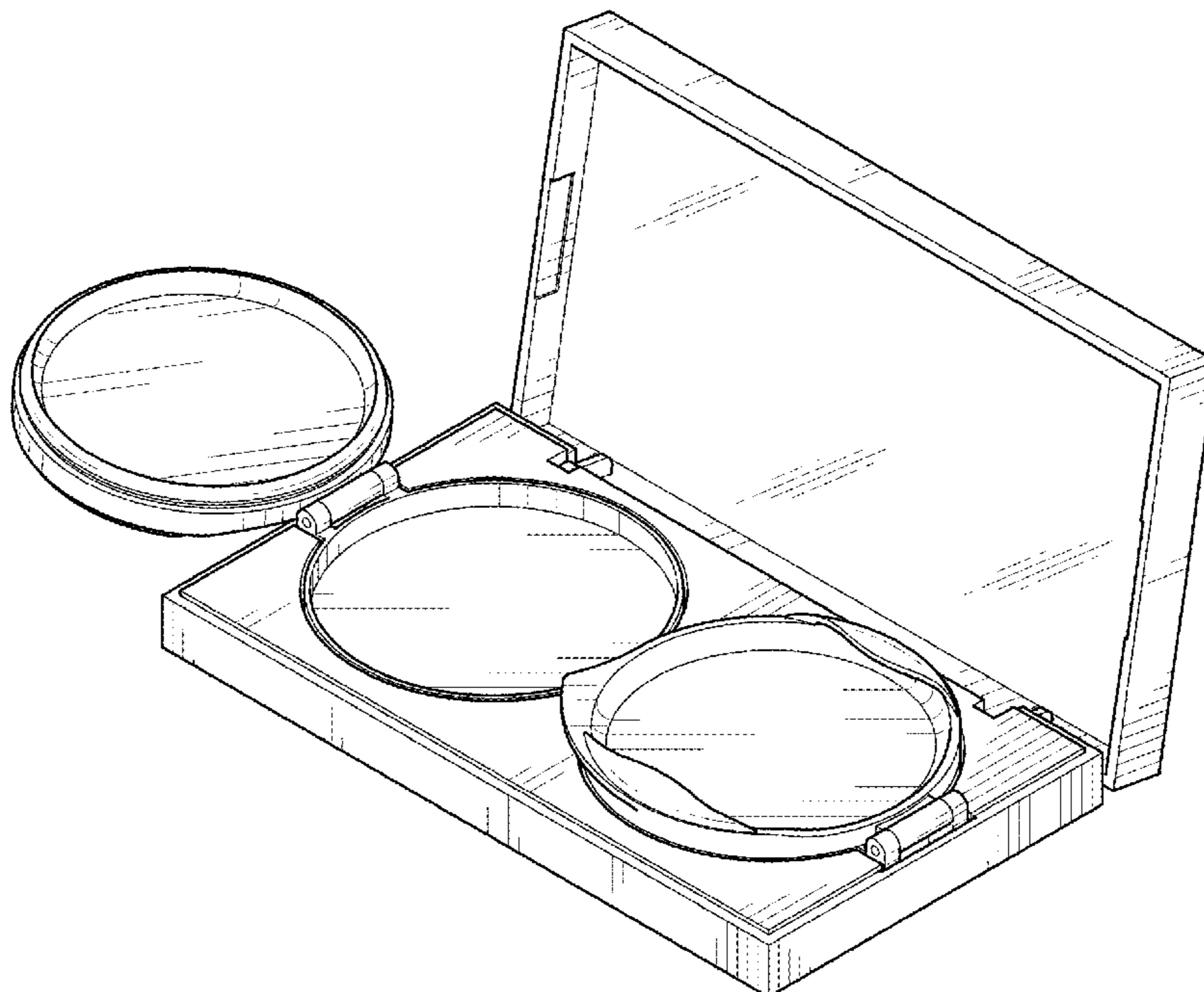
FIG. 1 is a top perspective view of a dual cosmetic cushion compact showing my new design, in a closed position of use;  
 FIG. 2 is a bottom perspective view thereof;  
 FIG. 3 is a front elevation view thereof;  
 FIG. 4 is a rear elevation view thereof;  
 FIG. 5 is a left side elevation view thereof;  
 FIG. 6 is a right side elevation view thereof;  
 FIG. 7 is a top plan view thereof;  
 FIG. 8 is a bottom plan view thereof;  
 FIG. 9 is a top perspective view thereof with the dual cosmetic cushion compact in an open position of use; and,  
 FIG. 10 is a top perspective view thereof, with one of the cushion compacts in an alternate position of use.  
 The oblique shade lines shown on the interior of the lid in FIGS. 9 and 10 represent a reflective surface.

(56) **References Cited**

U.S. PATENT DOCUMENTS

D332,328 S *	1/1993	Lombardi, Jr. ....	D28/83
D409,801 S *	5/1999	Kim .....	D28/83
D554,294 S *	10/2007	Thorpe .....	D28/83
D583,997 S *	12/2008	Thorpe .....	D28/83
D594,599 S *	6/2009	Thorpe .....	D28/83
D597,256 S *	7/2009	Liden .....	D28/83
D603,564 S *	11/2009	Liden .....	D28/83
D687,187 S *	7/2013	Lai .....	D28/83
D831,275 S *	10/2018	Maynard .....	D28/83

**1 Claim, 8 Drawing Sheets**



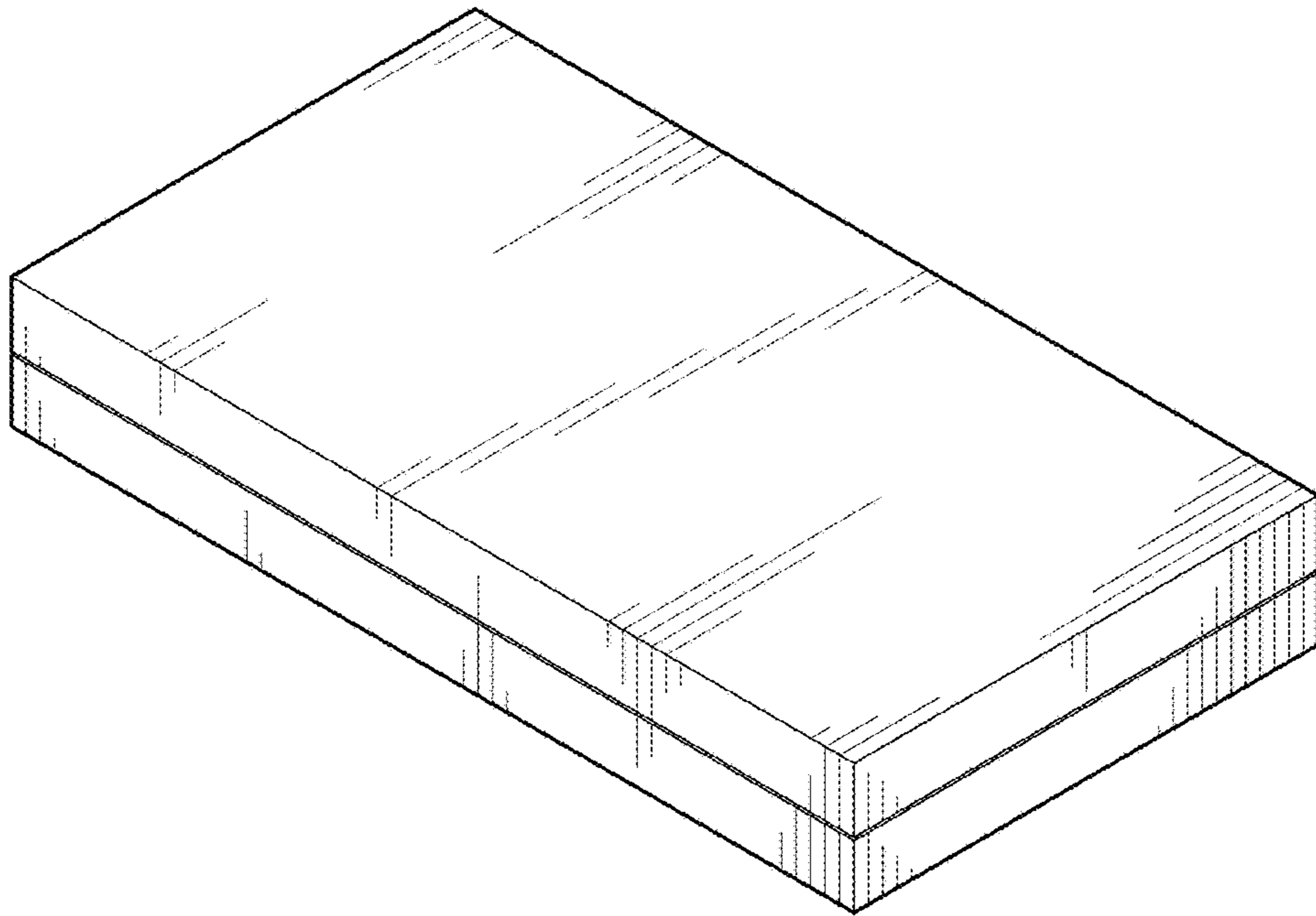


FIG. 1

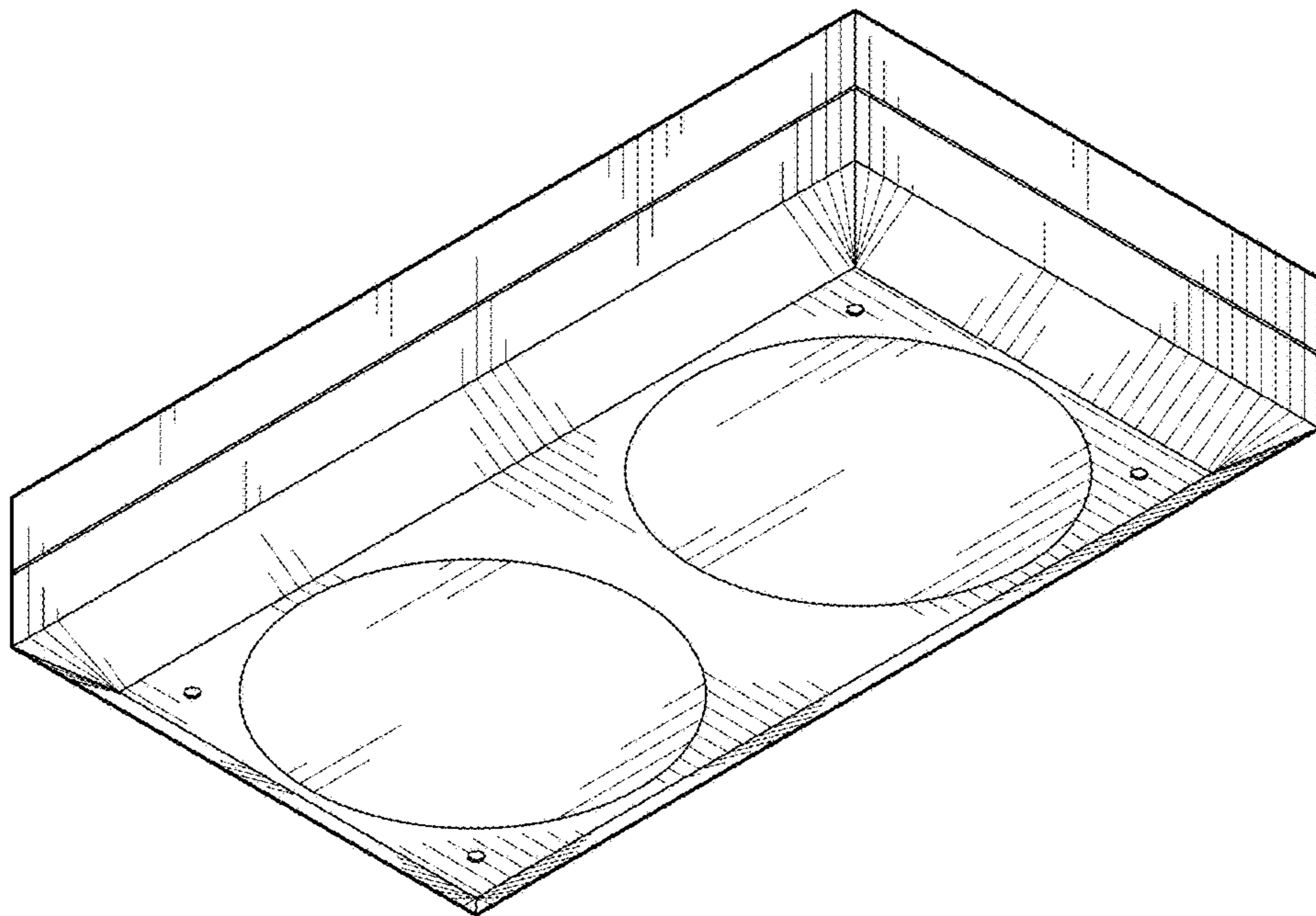


FIG. 2

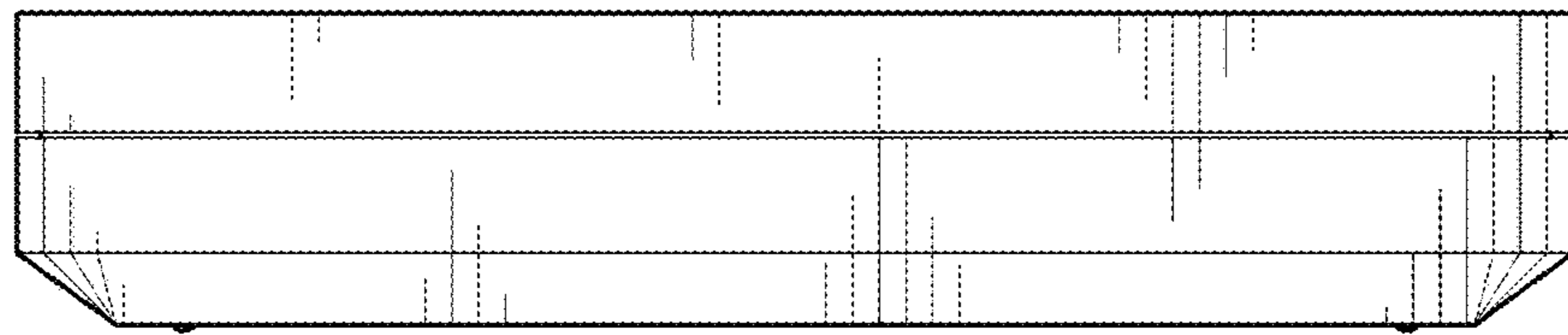


FIG. 3

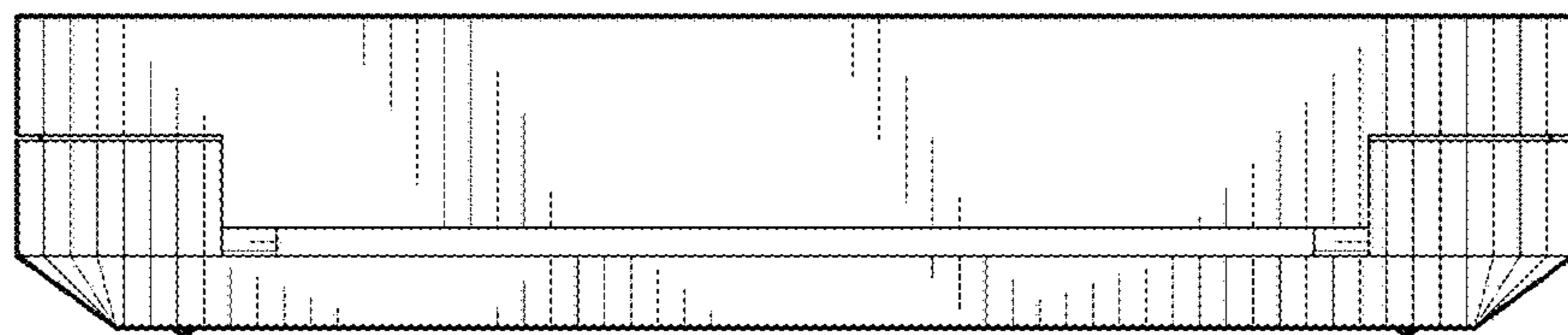


FIG. 4

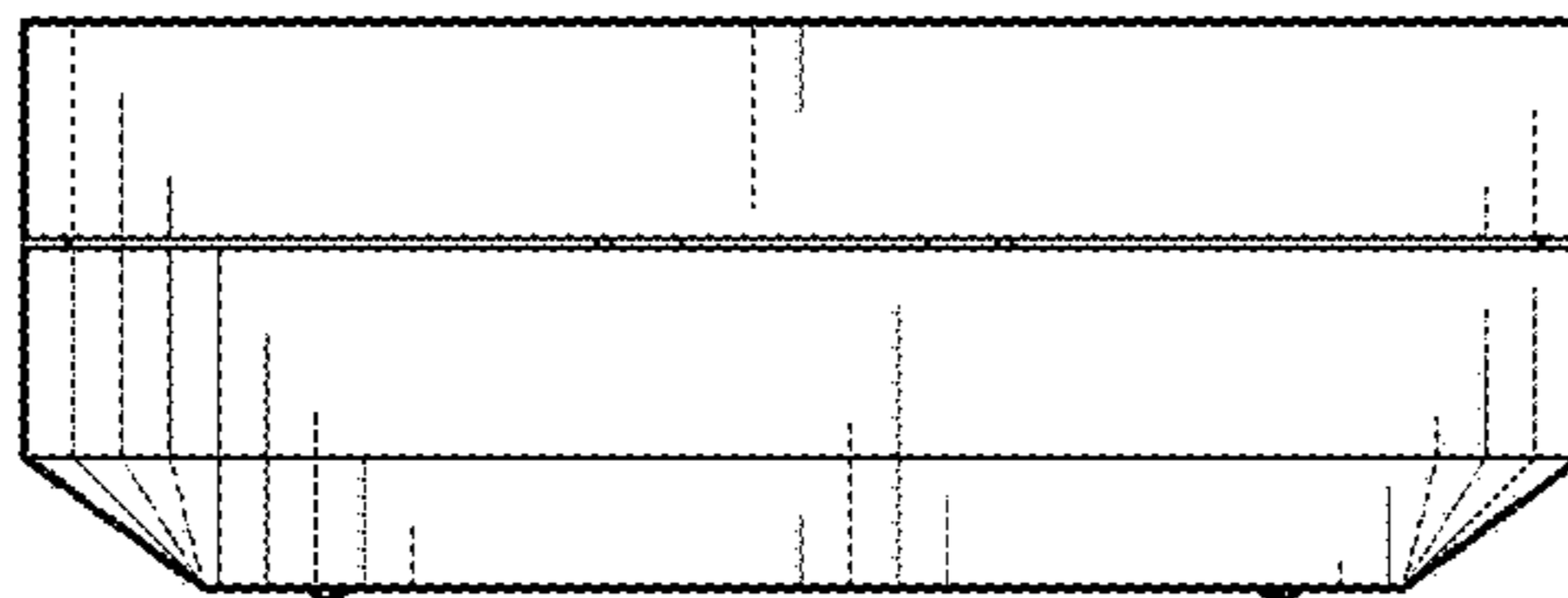


FIG. 5

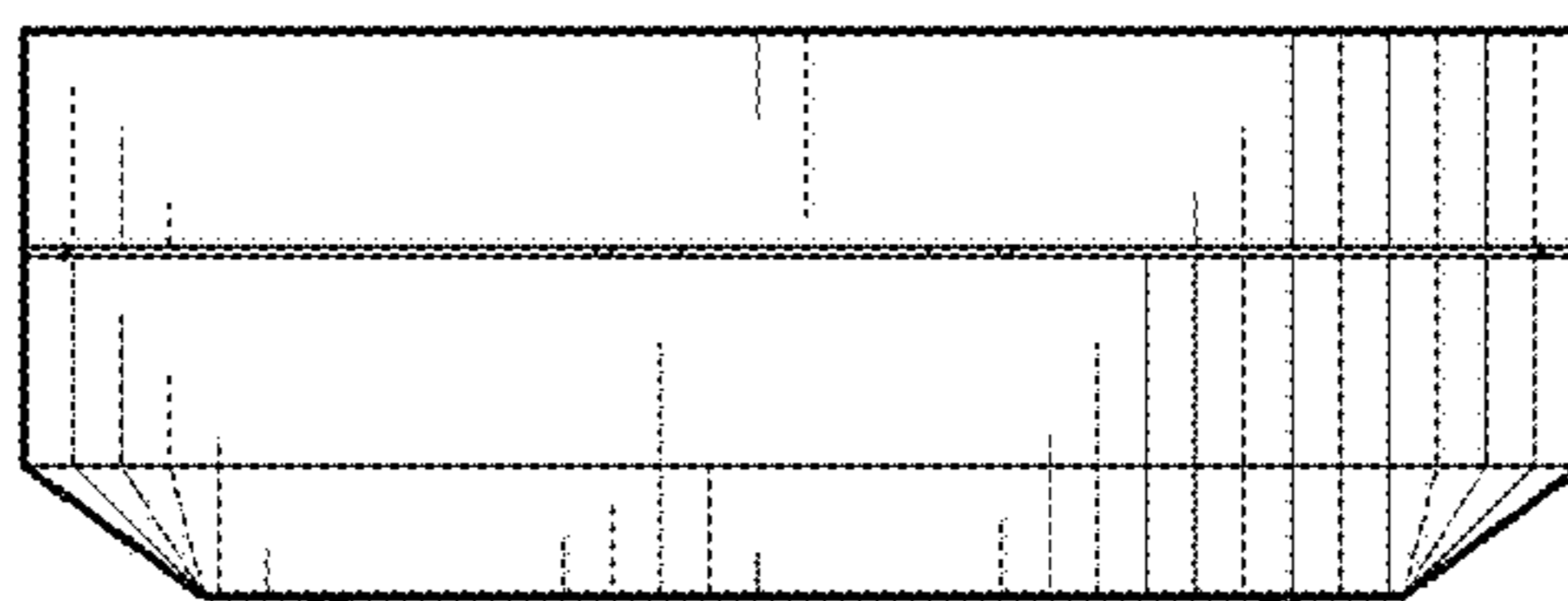


FIG. 6

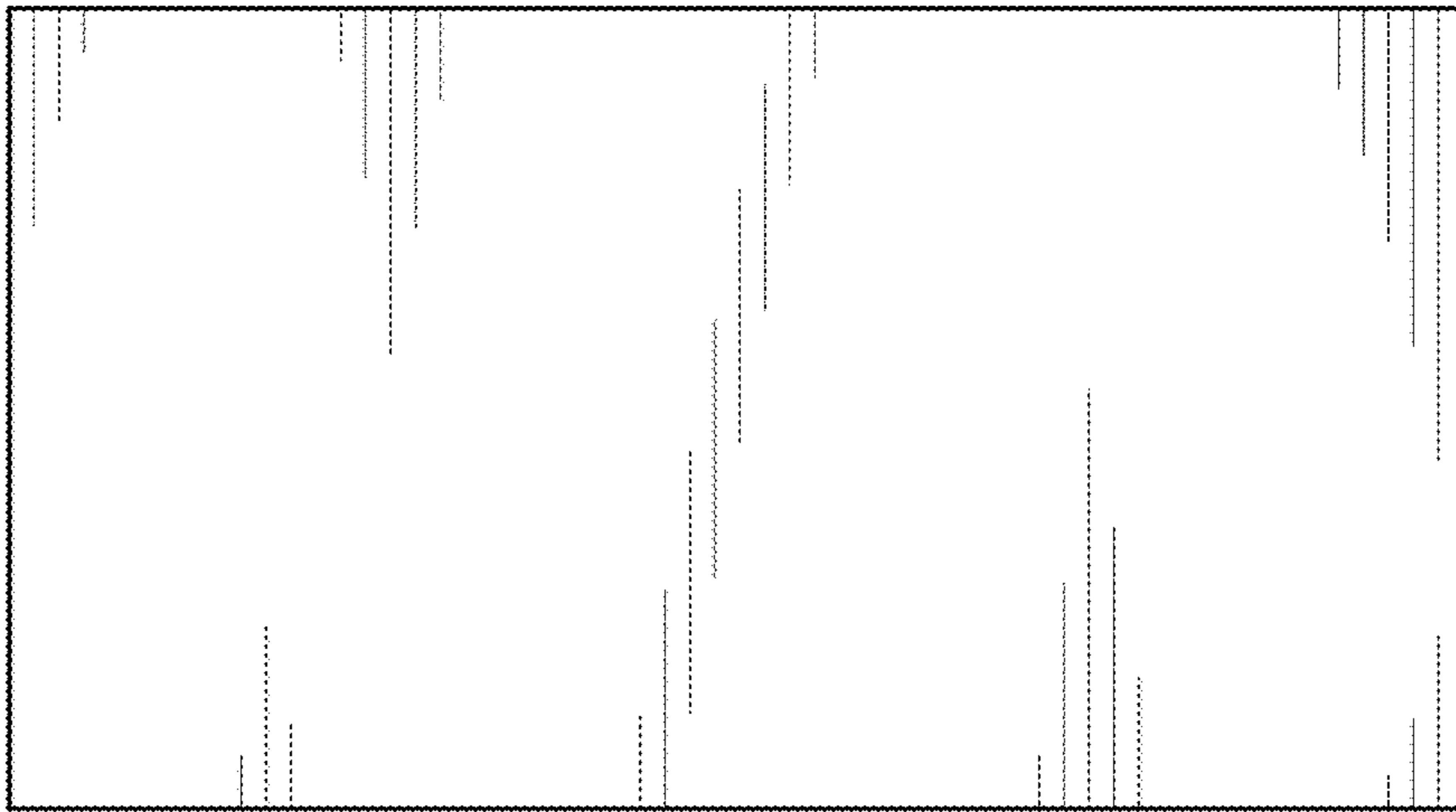


FIG. 7

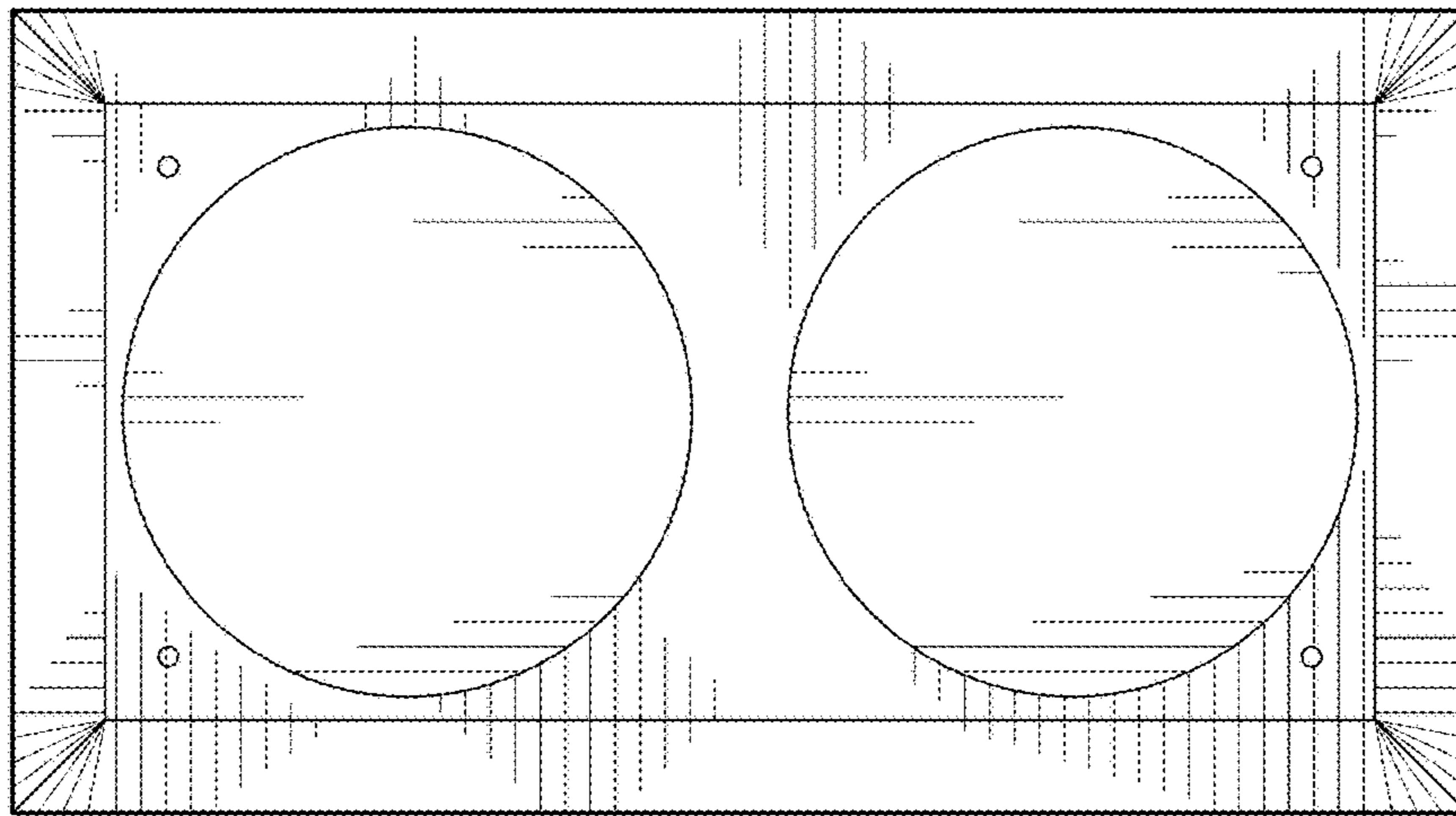


FIG. 8

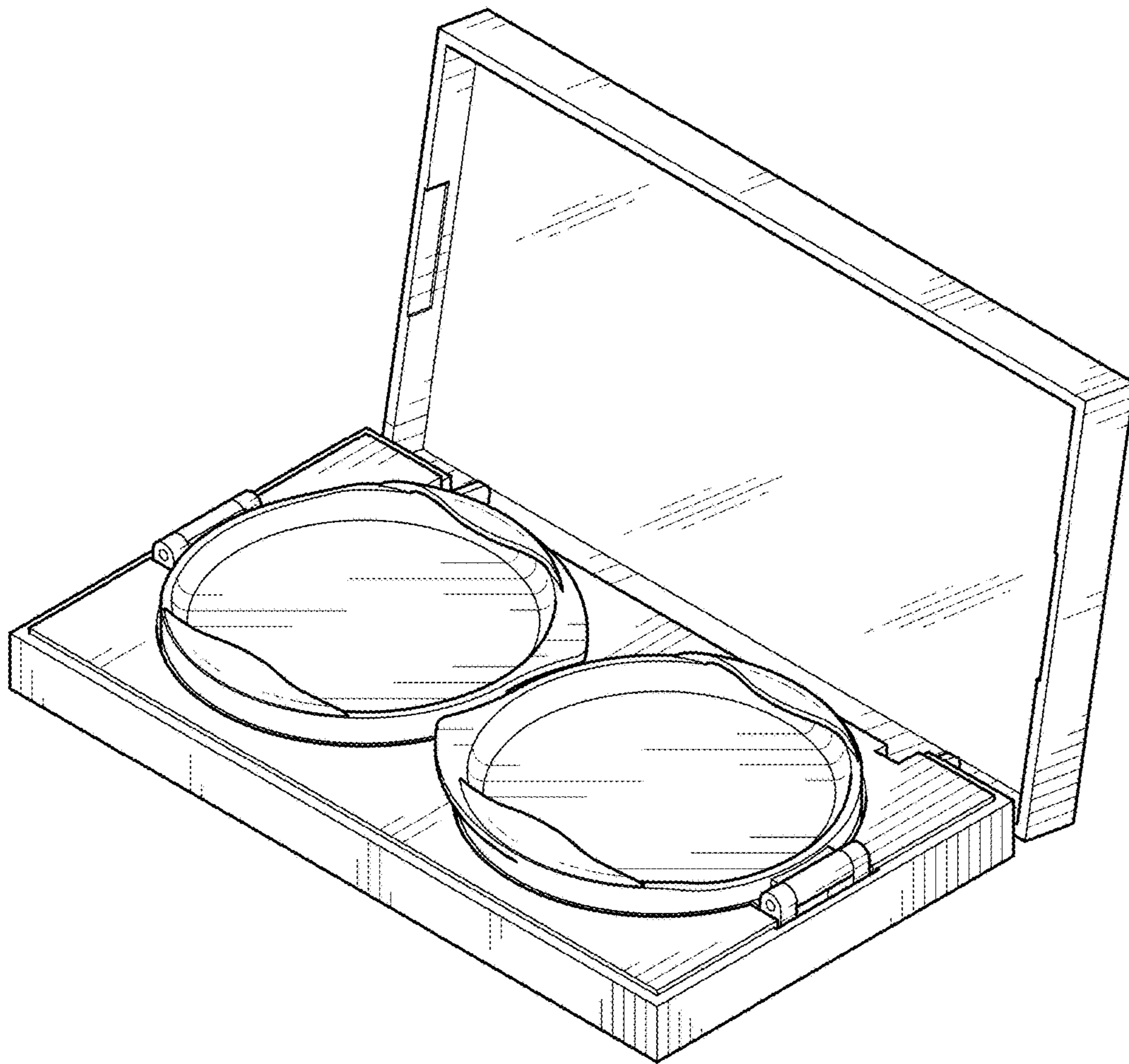


FIG. 9



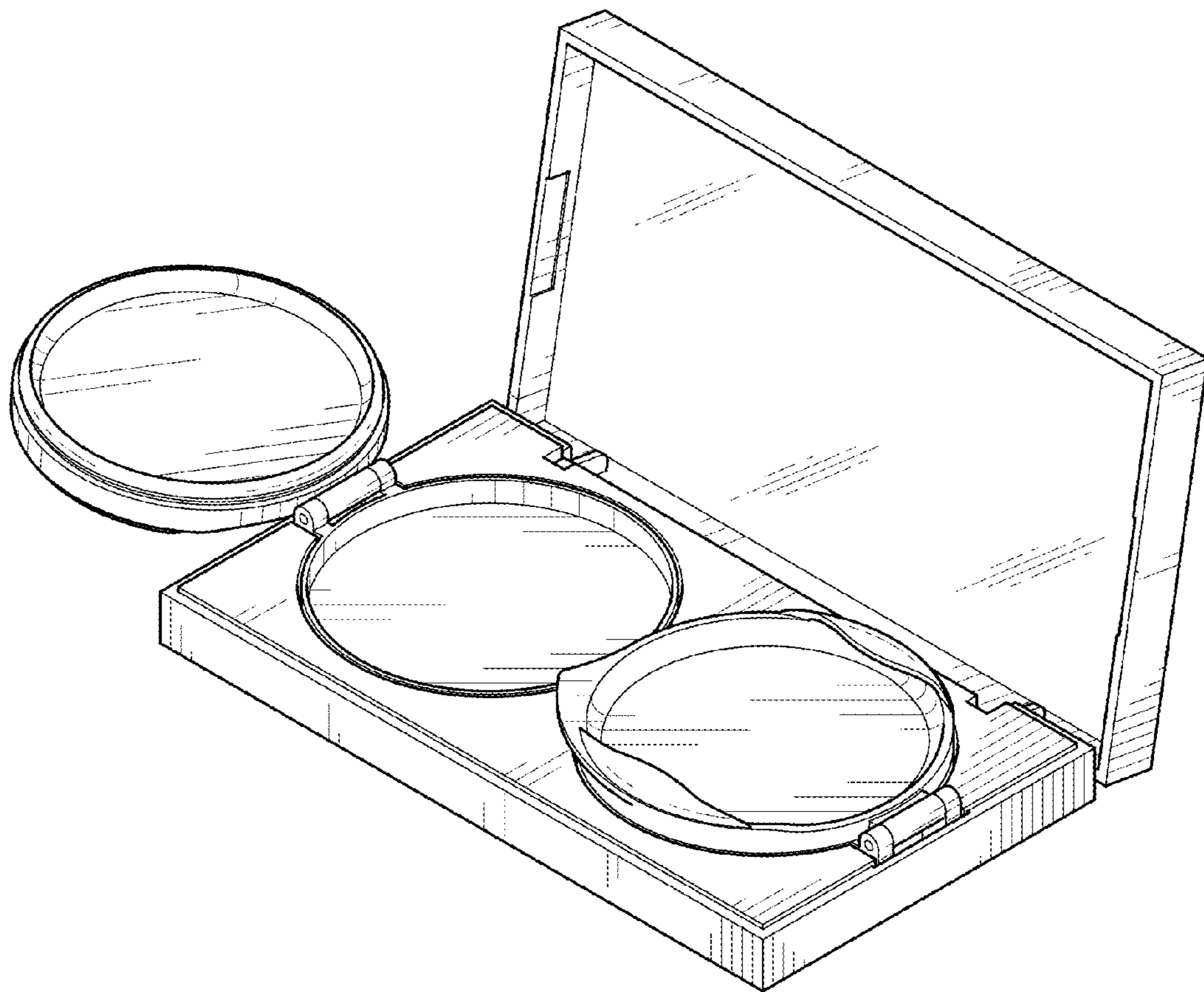


FIG. 10