



US00D851835S

(12) **United States Design Patent**  
**Gross**

(10) **Patent No.:** **US D851,835 S**  
(45) **Date of Patent:** **\*\* Jun. 18, 2019**

(54) **HAIR CLIPPER**

(71) Applicant: **ANDIS COMPANY**, Sturtevant, WI (US)

(72) Inventor: **Jeffrey D. Gross**, Kenosha, WI (US)

(73) Assignee: **Andis Company**, Sturtevant, WI (US)

(\*\*) Term: **15 Years**

(21) Appl. No.: **29/648,850**

(22) Filed: **May 24, 2018**

**Related U.S. Application Data**

(62) Division of application No. 29/570,110, filed on Jul. 5, 2016, now Pat. No. Des. 819,890.

(51) **LOC (11) Cl.** ..... **28-03**

(52) **U.S. Cl.**  
USPC ..... **D28/53**

(58) **Field of Classification Search**  
USPC ..... D28/49-54, 73  
CPC ..... B26B 19/00-08; B26B 19/10-107; B26B 19/20-205; B26B 19/38-3833; B26B 19/3853-3866; B26B 19/3886  
See application file for complete search history.

(56) **References Cited**

**U.S. PATENT DOCUMENTS**

2,748,472 A	6/1956	Sheley et al.	
2,789,347 A	4/1957	Wahl et al.	
D192,424 S	3/1962	Myers et al.	
3,589,007 A	6/1971	Walton	
D348,543 S	7/1994	Melton	
D353,022 S	11/1994	Simonelli	
D405,924 S *	2/1999	Lebherz	D28/53
D435,694 S	12/2000	Lebherz	
D435,936 S	1/2001	Long et al.	
D439,703 S	3/2001	Wagenknecht et al.	
D443,725 S	6/2001	Copland et al.	

D486,267 S	2/2004	Goetschi	
D493,573 S *	7/2004	Graf	D28/53
D500,392 S	12/2004	Buck, Jr. et al.	
D534,689 S	1/2007	Gross et al.	
D555,286 S	11/2007	Long	
D568,542 S	5/2008	Long et al.	
D571,504 S	6/2008	Long et al.	
D577,865 S	9/2008	Long et al.	
D597,253 S	7/2009	Eddinger et al.	
D597,254 S	7/2009	Eddinger et al.	
D623,354 S	9/2010	Schwer et al.	
D675,782 S	2/2013	Buck, Jr.	
D678,612 S	3/2013	Aulwes et al.	
D683,901 S	6/2013	Skuhra et al.	

(Continued)

*Primary Examiner* — Jennifer Rivard

(74) *Attorney, Agent, or Firm* — Reinhart Boerner Van Deuren s.c.

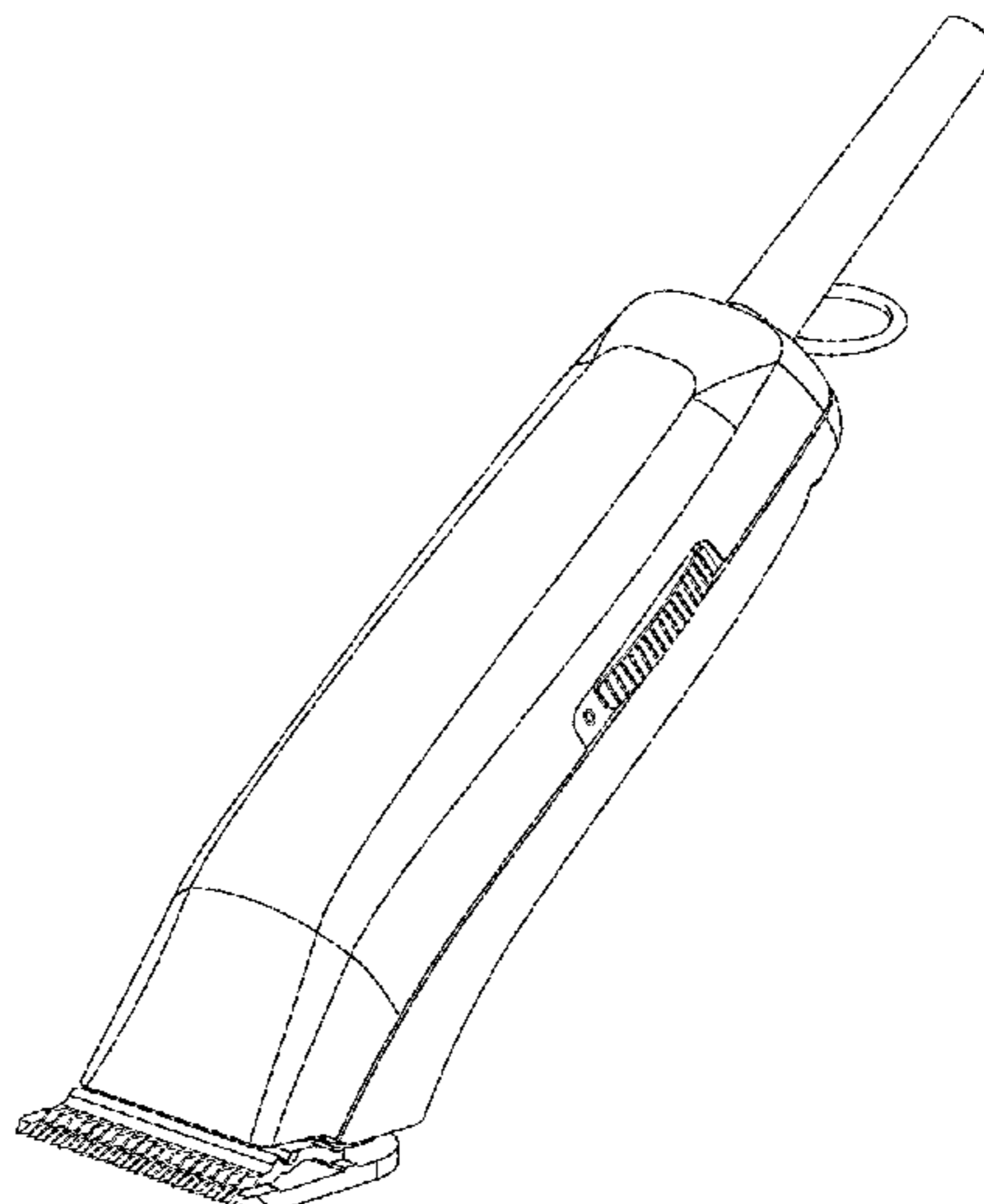
(57) **CLAIM**

I claim the ornamental design for a hair clipper, as shown and described.

**DESCRIPTION**

FIG. 1 is a perspective view of a hair clipper according to an embodiment showing the new design;  
 FIG. 2 is an elevation view of a first side of the embodiment shown in FIG. 1;  
 FIG. 3 is an elevation view of a second side of the embodiment shown in FIG. 1;  
 FIG. 4 is a top view of the embodiment shown in FIG. 1;  
 FIG. 5 is a bottom view of the embodiment shown in FIG. 1;  
 FIG. 6 is an elevation view of a first end of the embodiment shown in FIG. 1; and,  
 FIG. 7 is an elevation view of a second end of the embodiment shown in FIG. 1.  
 The present application is directed to the design illustrated in the figures.

**1 Claim, 6 Drawing Sheets**



(56)

**References Cited**

U.S. PATENT DOCUMENTS

8,453,333	B2 *	6/2013	Long .....	B26B 19/06
				30/210
D700,998	S	3/2014	Aulwes et al.	
D700,999	S	3/2014	Aulwes et al.	
D715,489	S	10/2014	Aulwes et al.	
D715,490	S	10/2014	Aulwes et al.	
D721,205	S *	1/2015	Colle .....	D28/53
D722,202	S	2/2015	Erickson et al.	
D750,325	S	2/2016	Nho	
D751,760	S	3/2016	Zachrich et al.	
D758,665	S	6/2016	Skuhra	
D777,980	S	1/2017	Moeller et al.	
D784,618	S	4/2017	Mori et al.	
D787,746	S	5/2017	Werner	
D790,132	S	6/2017	Aulwes et al.	
D790,133	S	6/2017	Aulwes et al.	
D800,389	S	10/2017	Fleming et al.	
D800,965	S	10/2017	Aulwes et al.	
D819,890	S *	6/2018	Gross .....	D28/54
D821,652	S *	6/2018	Skuhra .....	D28/53
2014/0338199	A1 *	11/2014	Erickson .....	B26B 19/06
				30/216

\* cited by examiner

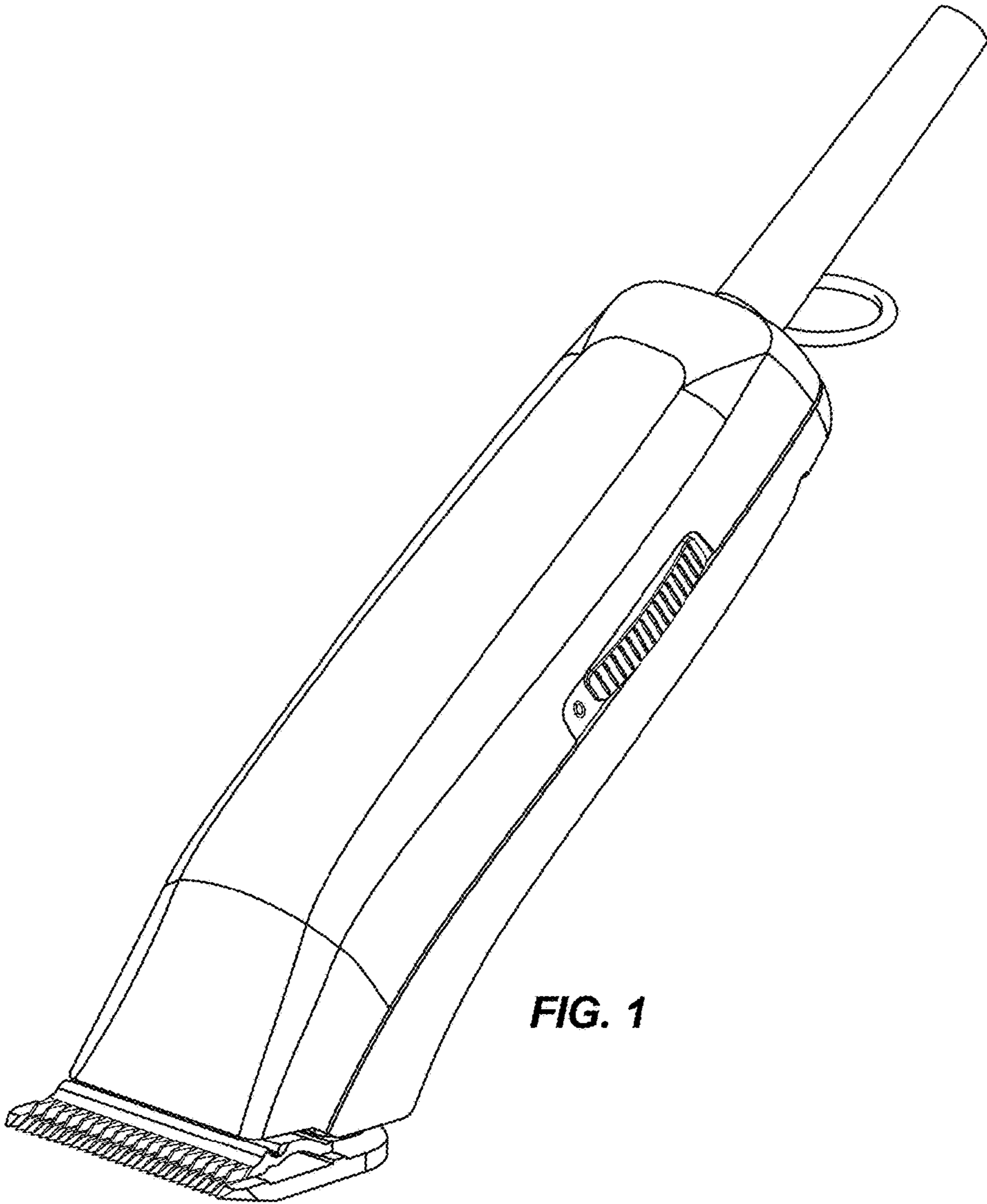


FIG. 1

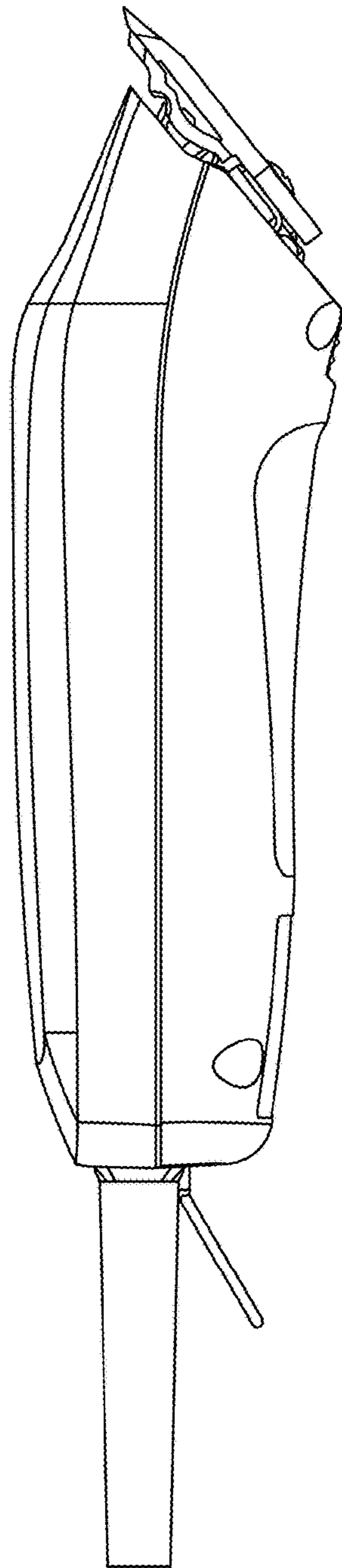


FIG. 2

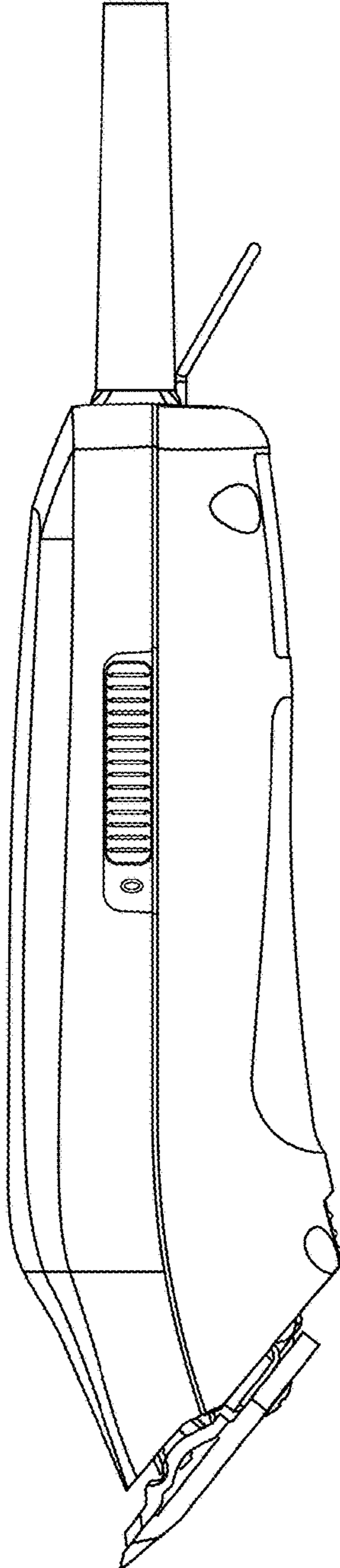


FIG. 3

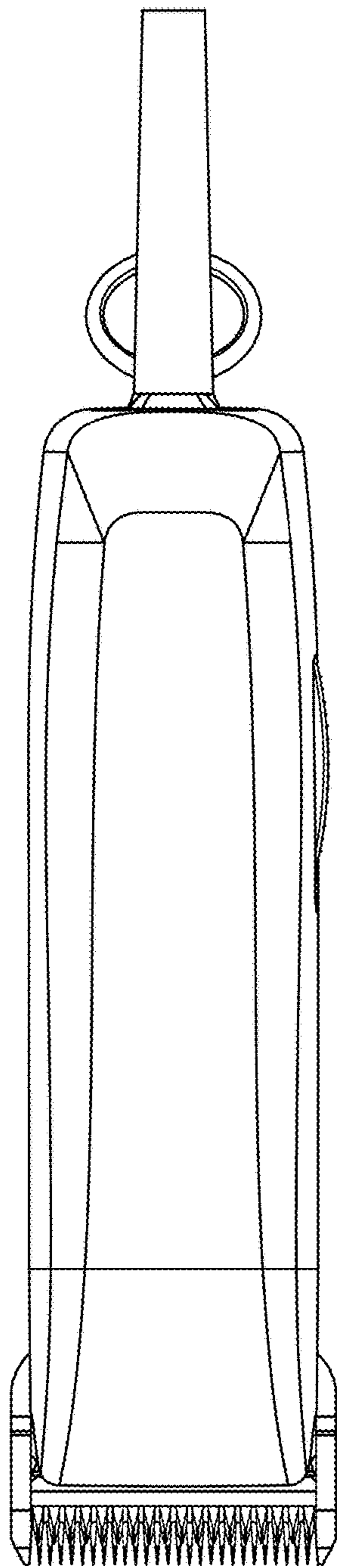


FIG. 4

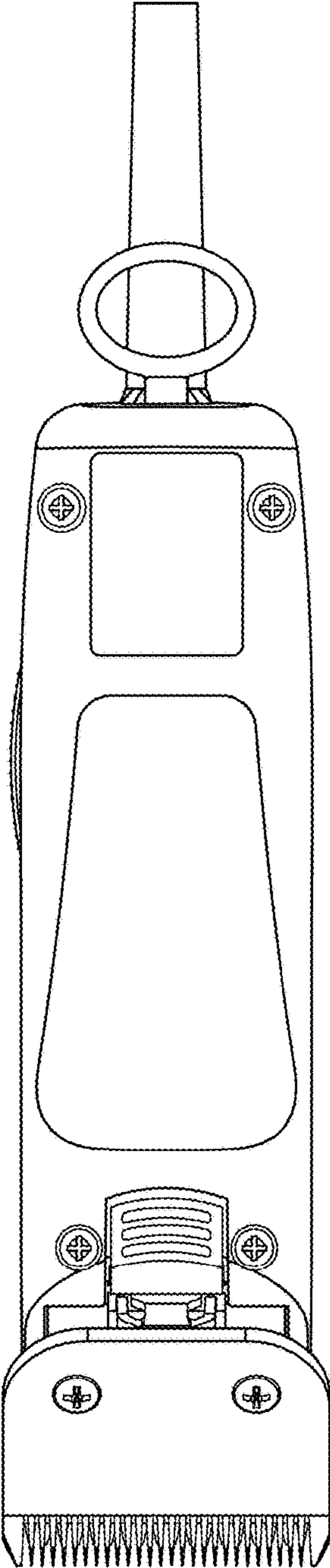
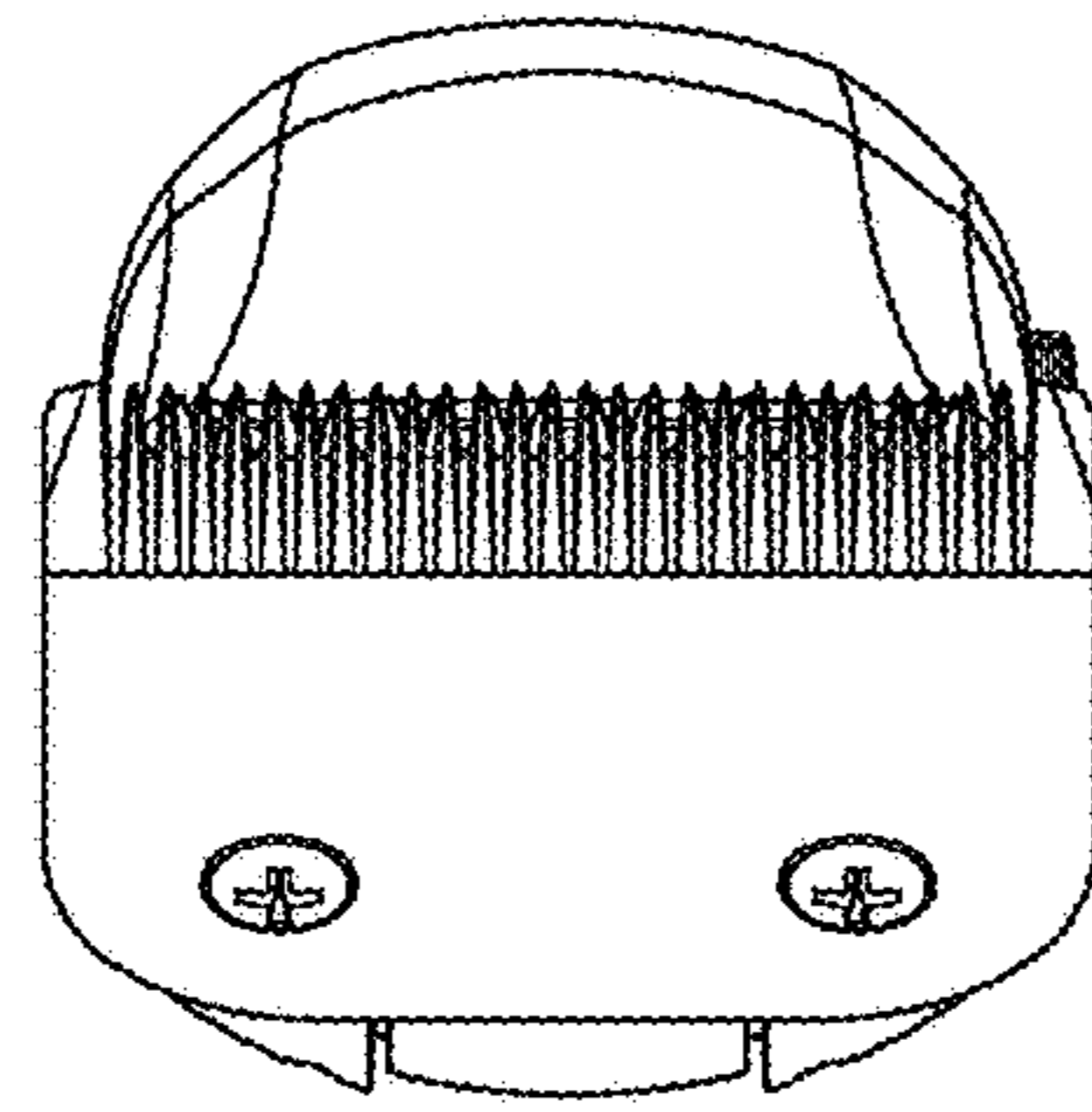
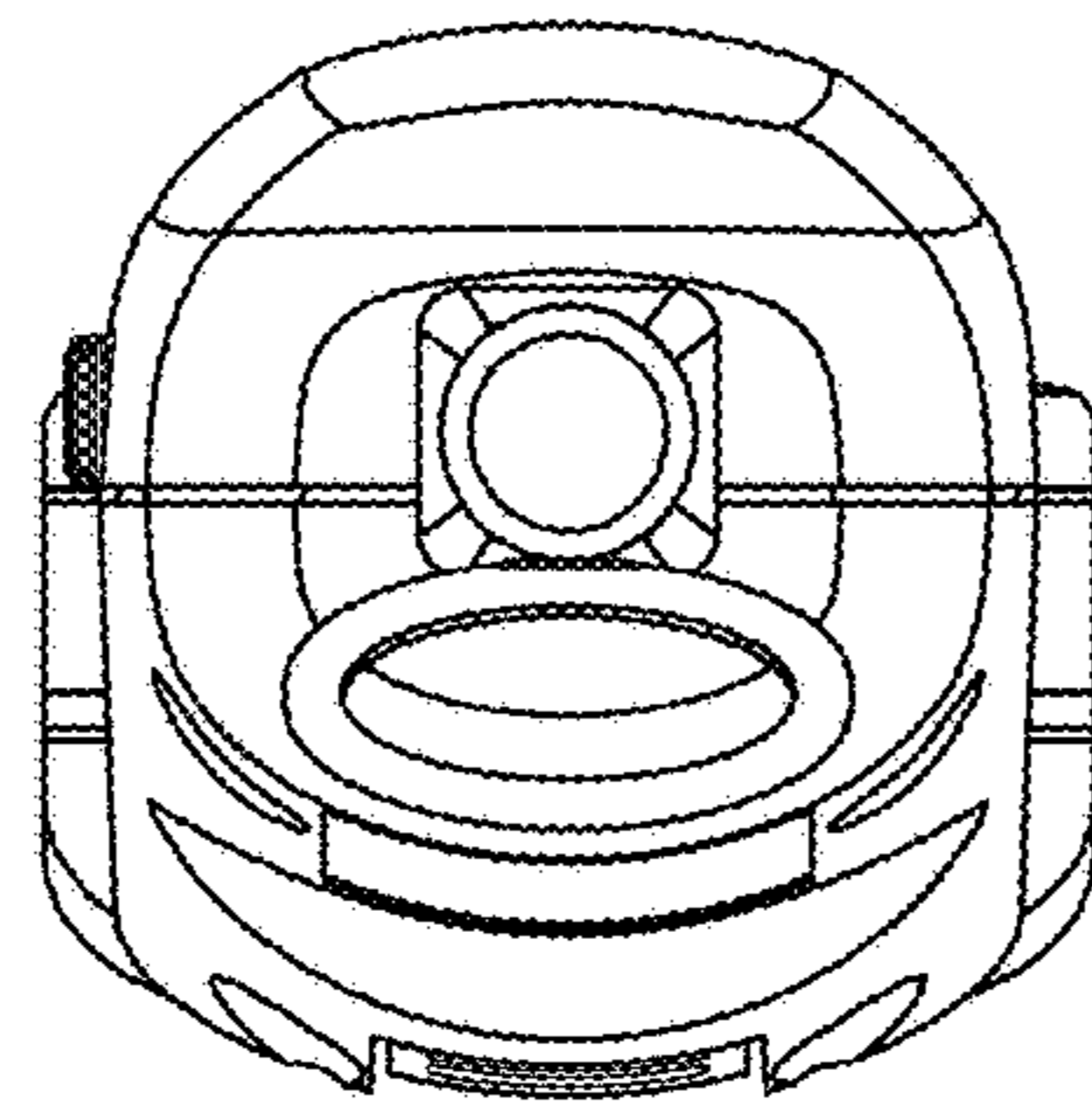


FIG. 5



**FIG. 6**



**FIG. 7**