



US00D851834S

(12) **United States Design Patent** (10) **Patent No.:** **US D851,834 S**
Peterson, Jr. et al. (45) **Date of Patent:** **** Jun. 18, 2019**

(54) **HAIR CLIPPER**

(71) Applicant: **ANDIS COMPANY**, Sturtevant, WI (US)

(72) Inventors: **John H. Peterson, Jr.**, Oak Creek, WI (US); **Andrew A. Skuhra**, Racine, WI (US); **Timothy B. Strandell**, Racine, WI (US)

(73) Assignee: **Andis Company**, Sturtevant, WI (US)

(**) Term: **15 Years**

(21) Appl. No.: **29/641,228**

(22) Filed: **Mar. 20, 2018**

(51) **LOC (11) Cl.** **28-03**

(52) **U.S. Cl.**
USPC **D28/53**

(58) **Field of Classification Search**

USPC D28/49-54, 73
CPC B26B 19/00-08; B26B 19/10-107; B26B 19/20-205; B26B 19/38-3833; B26B 19/3853-3866; B26B 19/3886

See application file for complete search history.

(56) **References Cited**

U.S. PATENT DOCUMENTS

D674,556 S *	1/2013	Weinberg	D28/53
D700,998 S *	3/2014	Aulwes	D28/54
D749,786 S *	2/2016	Werner	D28/53
D787,746 S *	5/2017	Werner	D28/53
D790,132 S *	6/2017	Aulwes	D28/54
D819,890 S *	6/2018	Gross	D28/54
2013/0200823 A1 *	8/2013	Chan	B26B 19/284 318/3
2014/0338199 A1 *	11/2014	Erickson	B26B 19/06 30/216

* cited by examiner

Primary Examiner — Jennifer Rivard

(74) *Attorney, Agent, or Firm* — Reinhart Boerner Van Deuren s.c.

(57) **CLAIM**

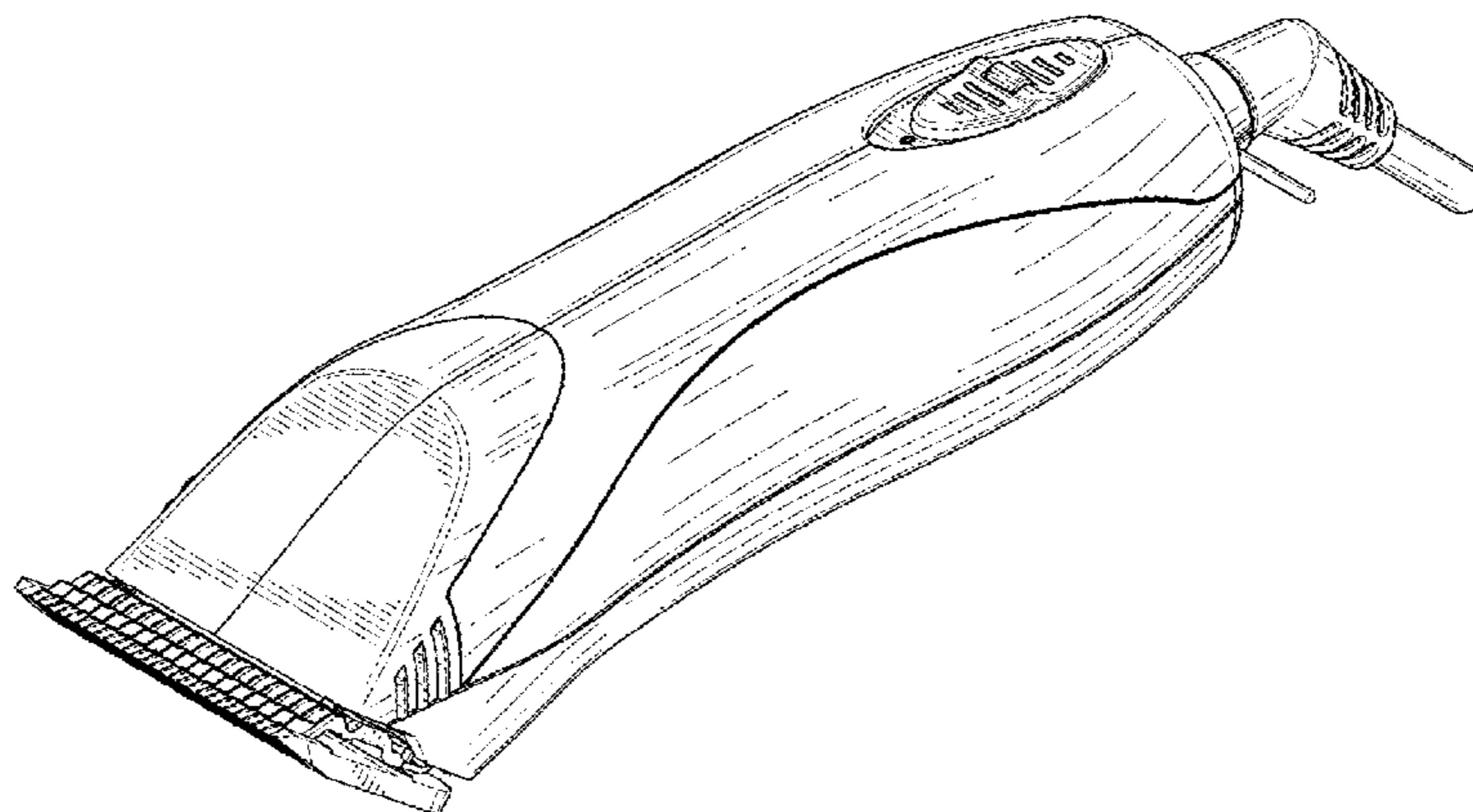
We claim the ornamental design for a hair clipper, as shown and described.

DESCRIPTION

FIG. 1 is a perspective view of a hair clipper according to an embodiment showing the new design;
 FIG. 2 is an elevation view of a first end of the hair clipper of FIG. 1;
 FIG. 3 is an elevation view of a second end of the hair clipper of FIG. 1;
 FIG. 4 is an elevation view of a first side of the hair clipper of FIG. 1;
 FIG. 5 is an elevation view of a second side of the hair clipper of FIG. 1;
 FIG. 6 is a top view of the hair clipper shown in FIG. 1;
 FIG. 7 is a bottom view of the hair clipper shown in FIG. 1;
 FIG. 8 is a perspective view of a hair clipper according to another embodiment showing the new design;
 FIG. 9 is an elevation view of a first end of the hair clipper of FIG. 8;
 FIG. 10 is an elevation view of a second end of the hair clipper of FIG. 8;
 FIG. 11 is an elevation view of a first side of the hair clipper of FIG. 8;
 FIG. 12 is an elevation view of a second side of the hair clipper of FIG. 8;
 FIG. 13 is a top view of the hair clipper shown in FIG. 8; and,
 FIG. 14 is a bottom view of the hair clipper shown in FIG. 8.

The present application is directed to the design illustrated in the figures. The broken lines shown in the drawings illustrate portions of the hair clipper and form no part of the claimed design.

1 Claim, 8 Drawing Sheets



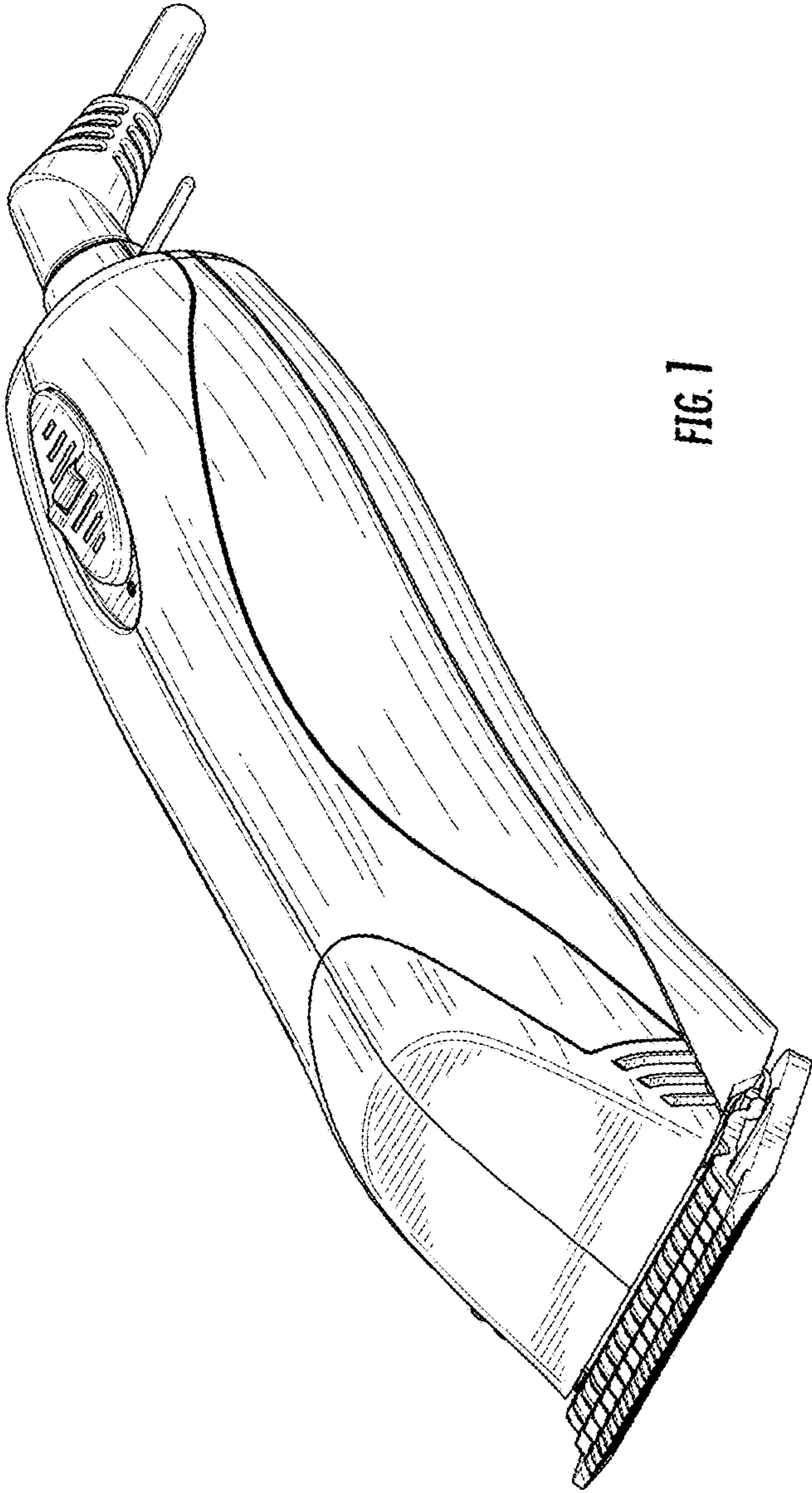


FIG. 1

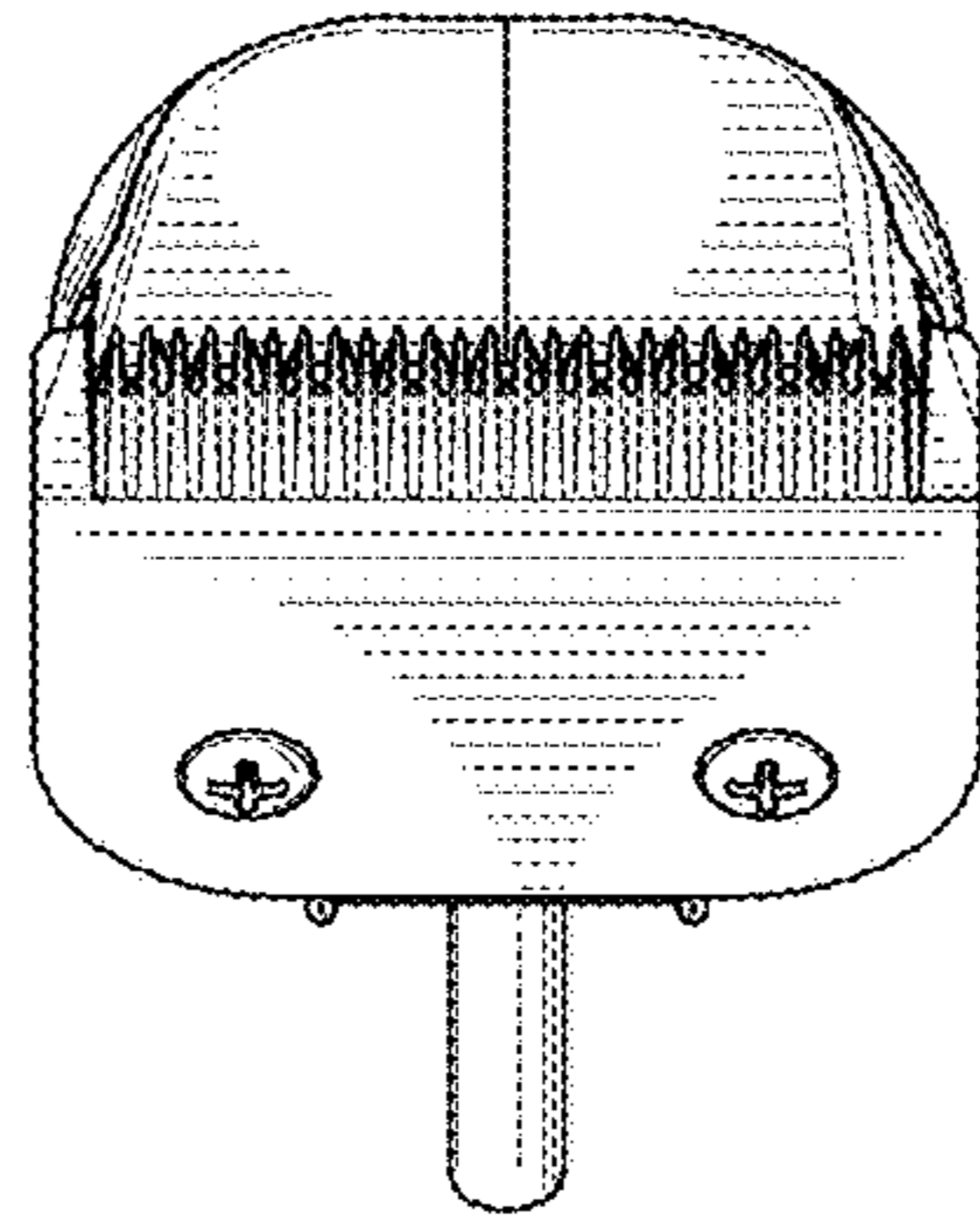


FIG. 2

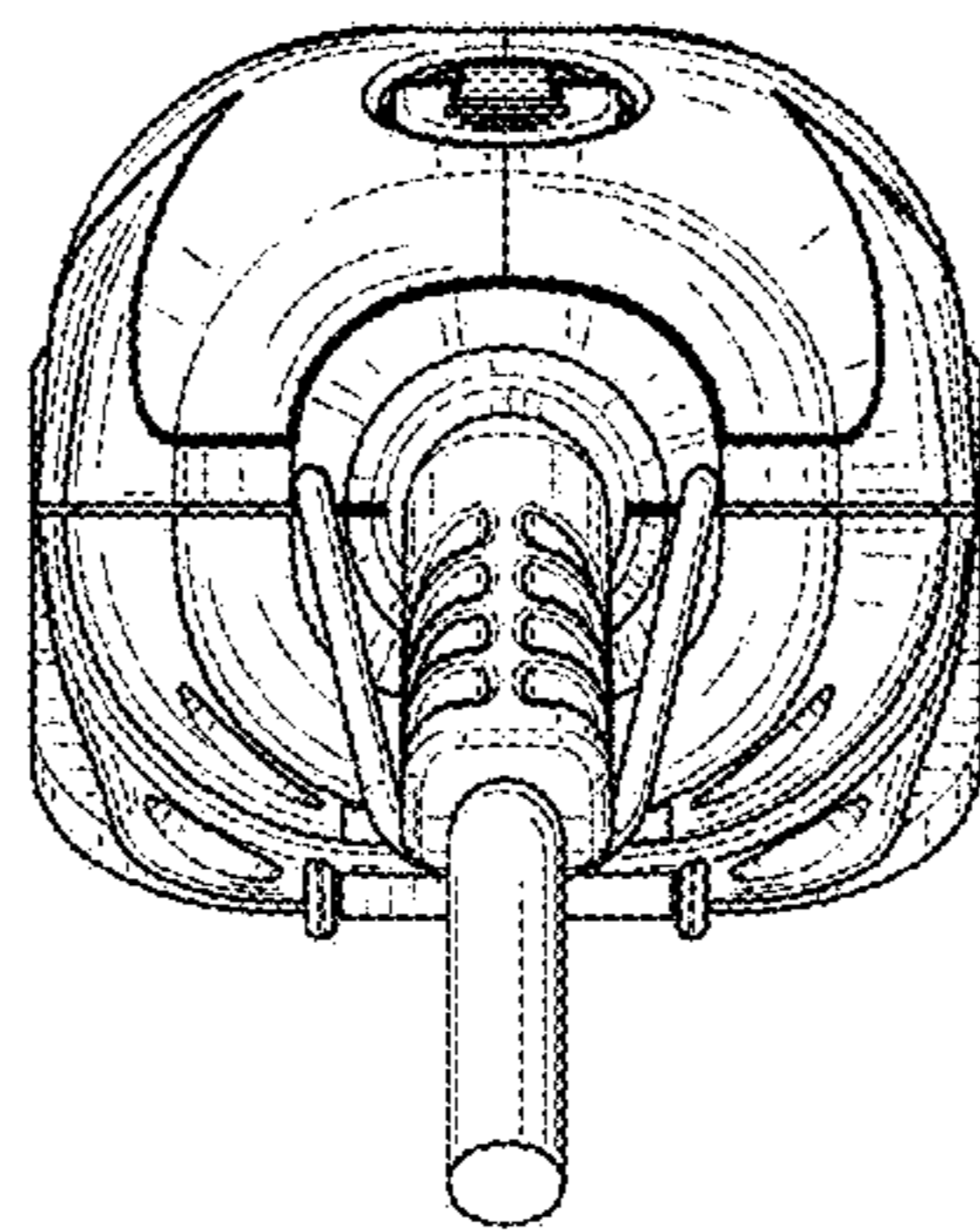


FIG. 3

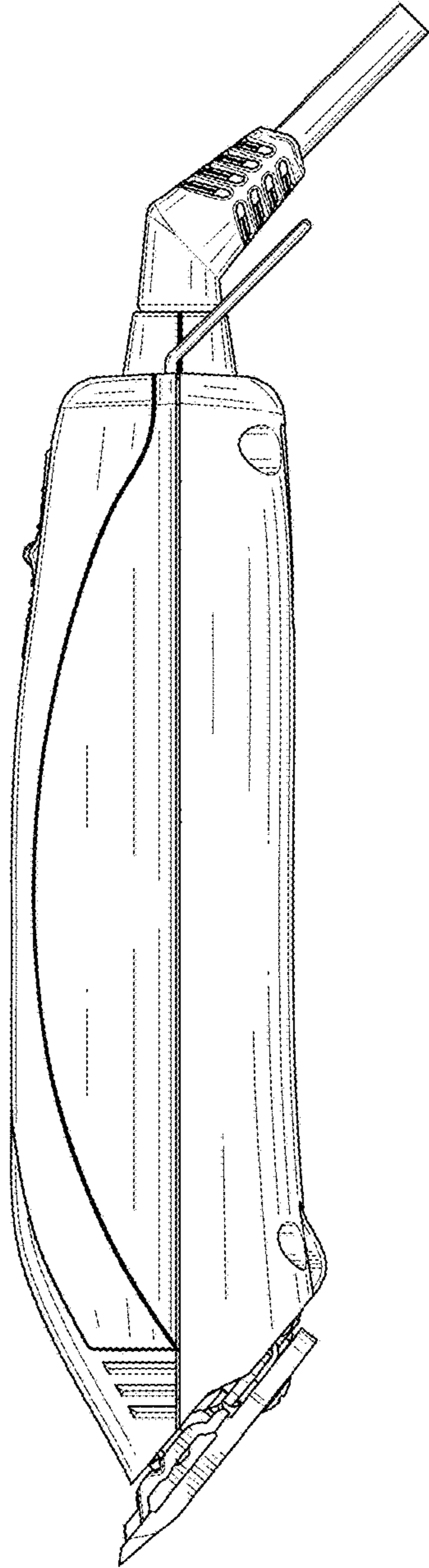


FIG. 4

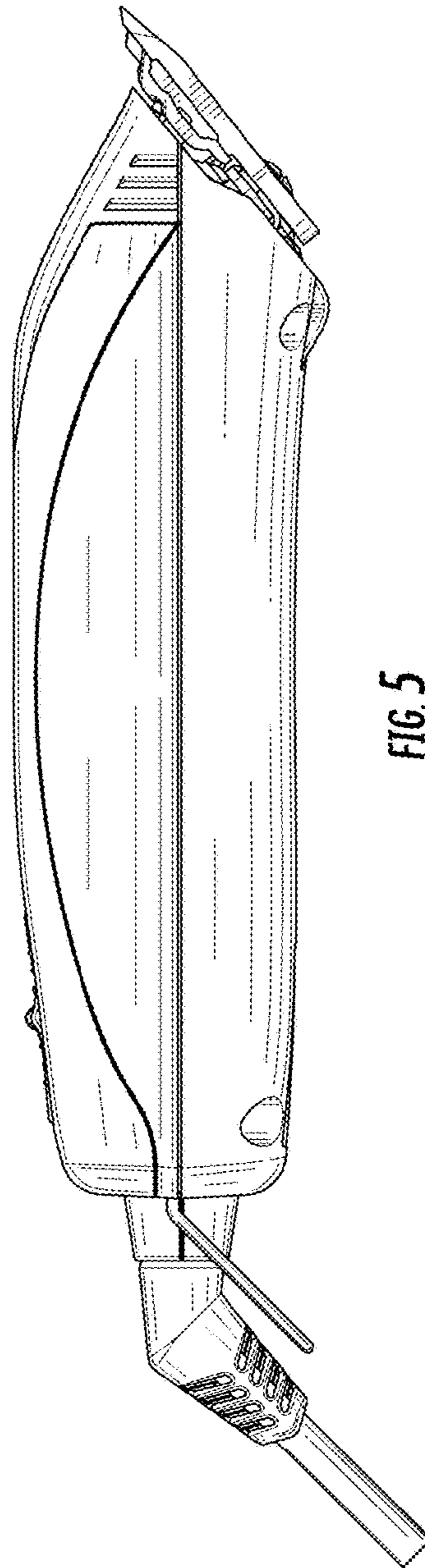


FIG. 5

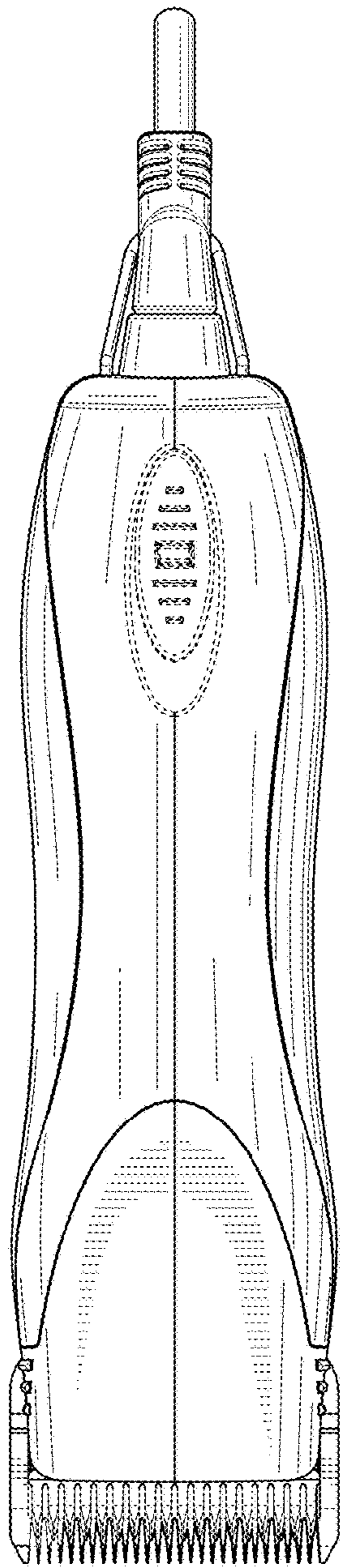


FIG. 6

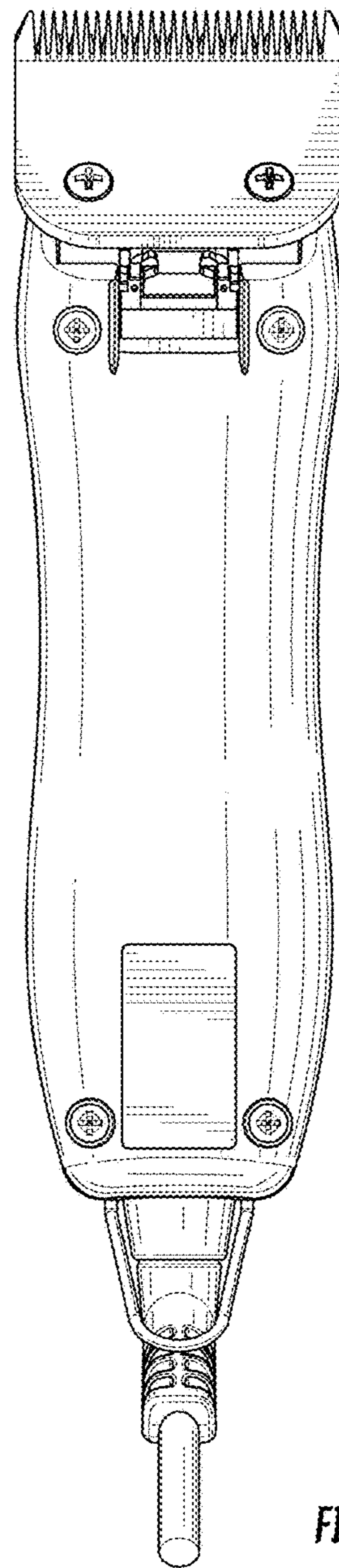


FIG. 7

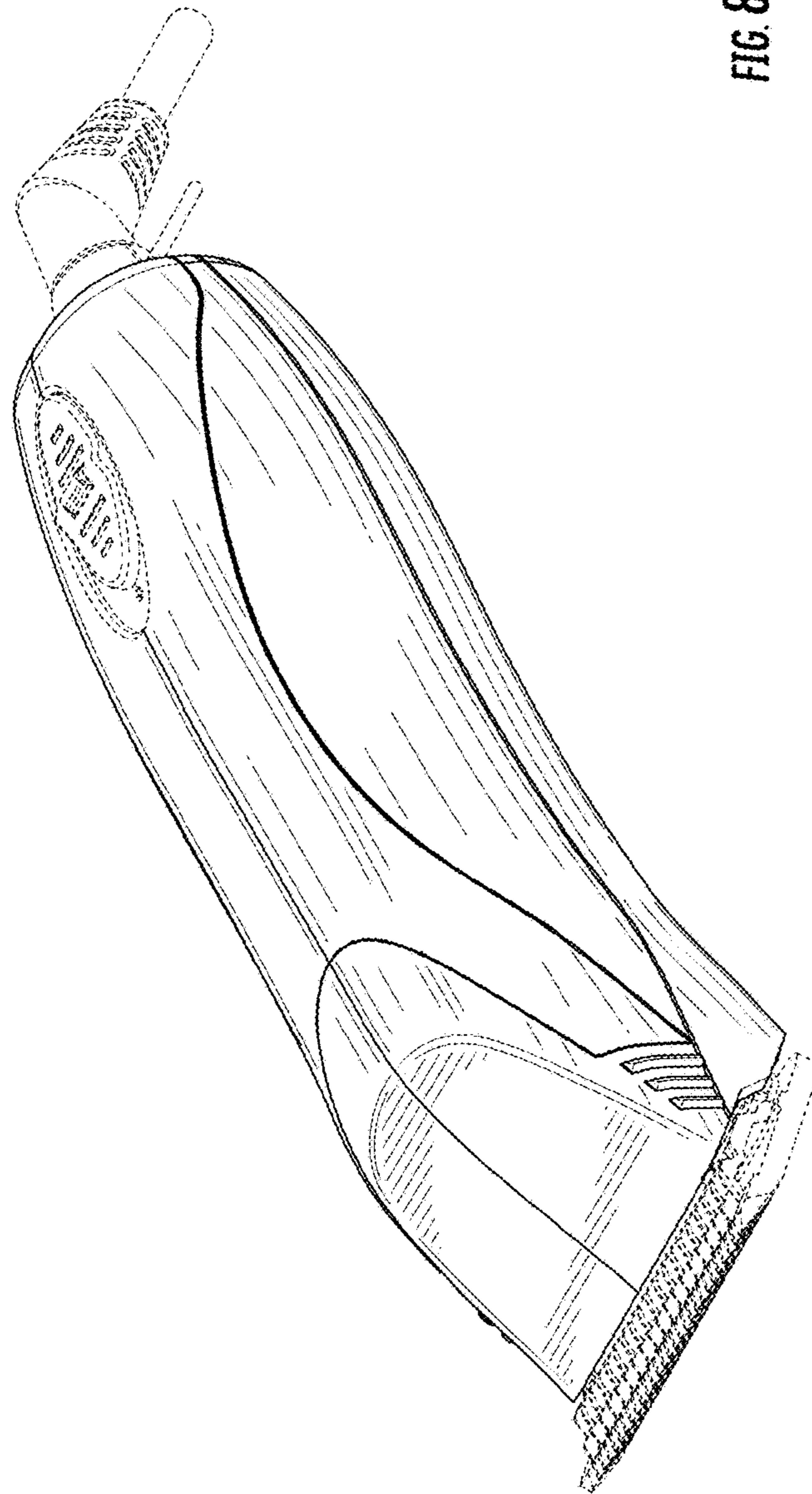


FIG. 8

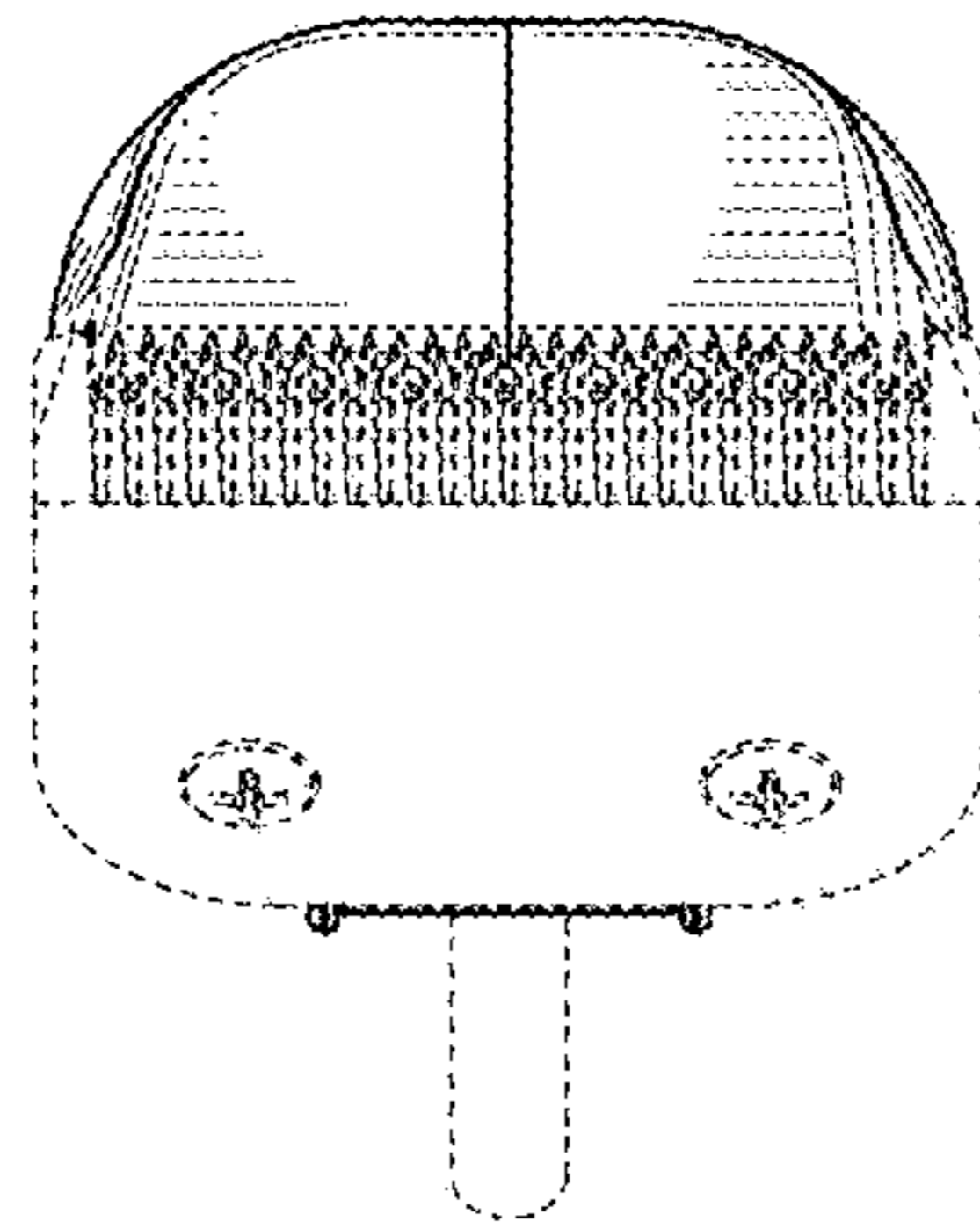


FIG. 9

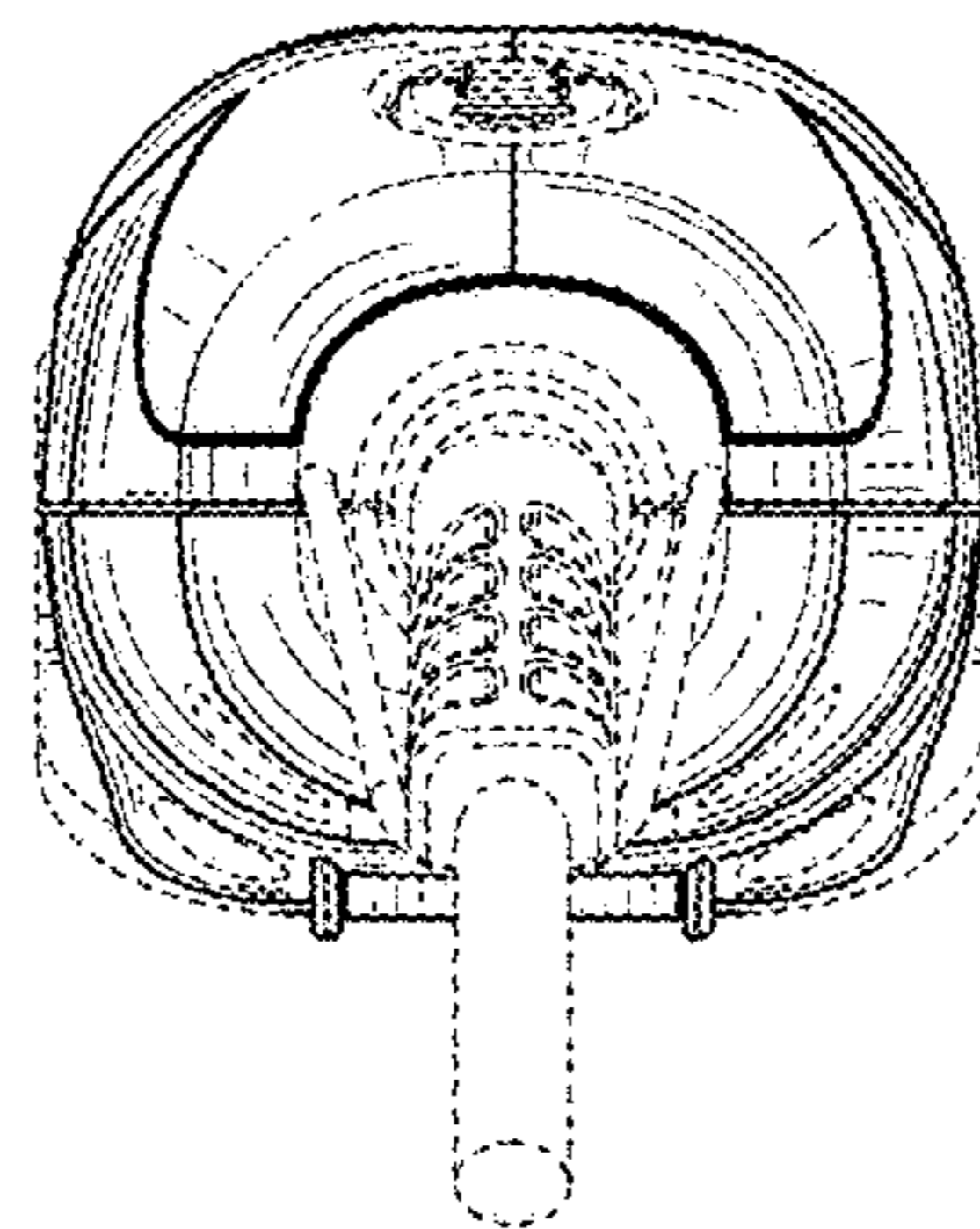


FIG. 10

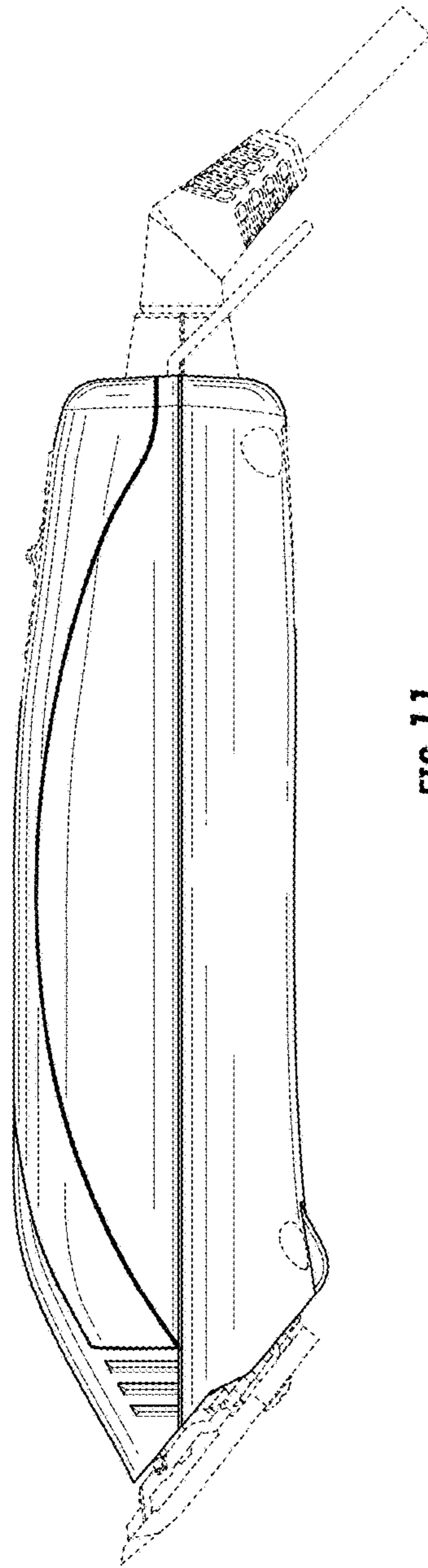


FIG. 11

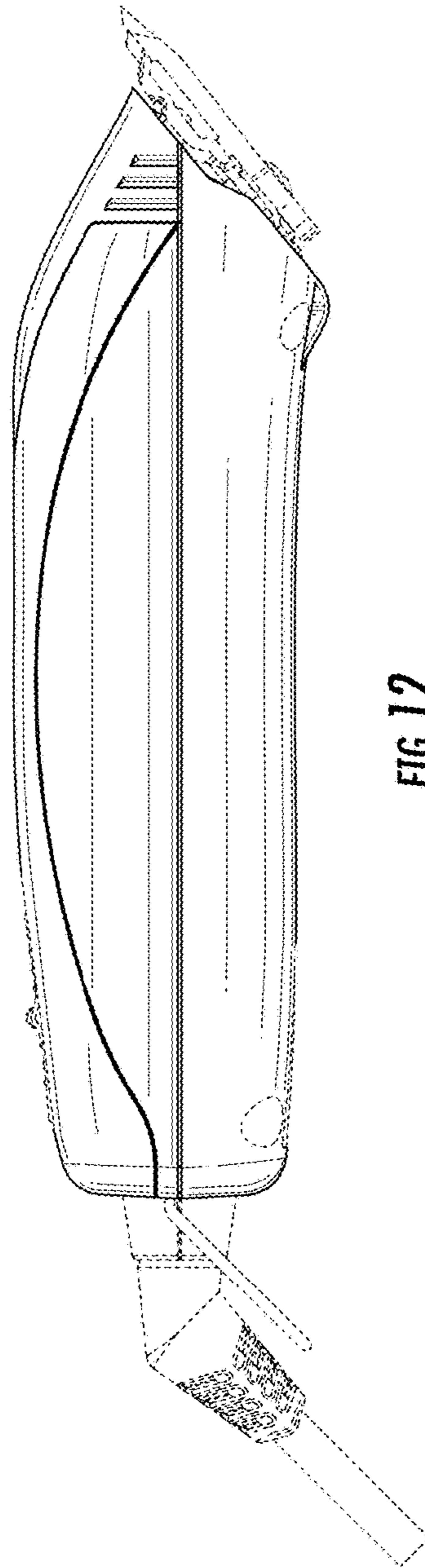


FIG. 12

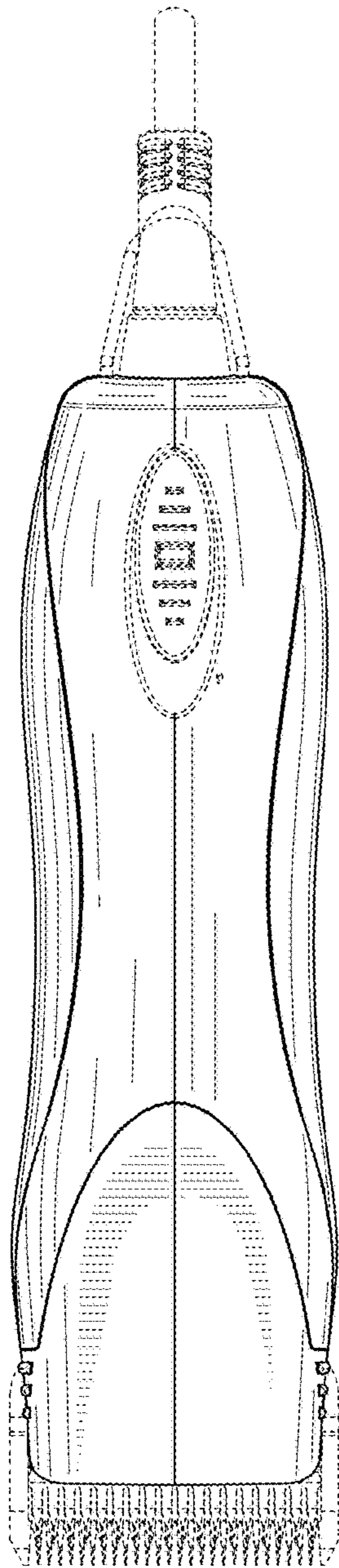


FIG. 13

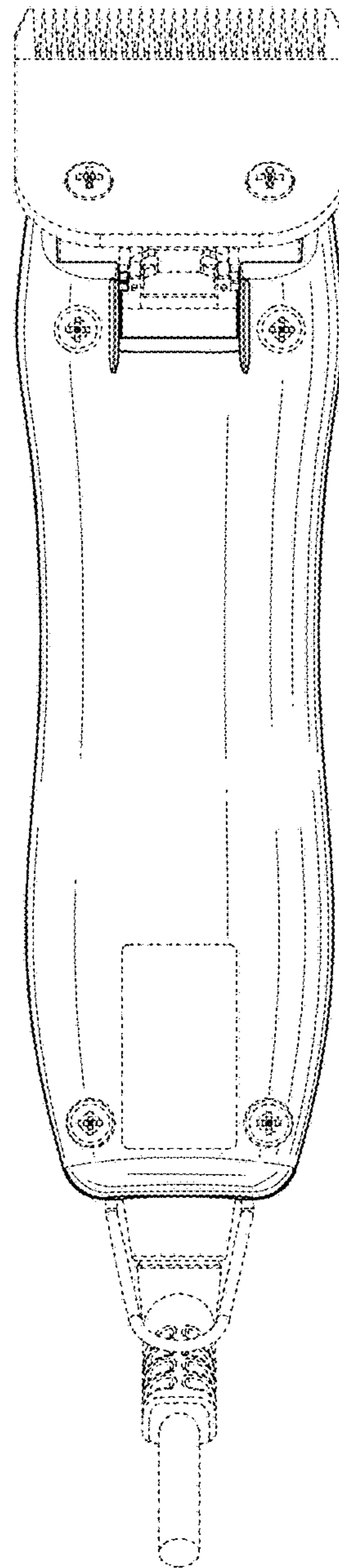


FIG. 14