



US00D851832S

(12) **United States Design Patent**
Thomas

(10) **Patent No.:** **US D851,832 S**
(45) **Date of Patent:** **** Jun. 18, 2019**

(54) **FLAT IRON**
(71) Applicant: **Christopher Thomas**, Washington, AR
(US)
(72) Inventor: **Christopher Thomas**, Washington, AR
(US)
(**) Term: **15 Years**

2006/0207625 A1* 9/2006 Chan A45D 1/04
132/224
2009/0266378 A1* 10/2009 Nunomura A45D 1/18
132/224
2014/0130365 A1* 5/2014 Dineen A45D 20/50
34/60
2017/0079400 A1* 3/2017 Fereyre A45D 1/00
2018/0042352 A1* 2/2018 deGrood A45D 1/04
2018/0064226 A1* 3/2018 Richmond A45D 1/06
2018/0338595 A1* 11/2018 Jones A45D 6/00

(21) Appl. No.: **29/643,474**
(22) Filed: **Apr. 9, 2018**
(51) **LOC (11) Cl.** **D28-03**
(52) **U.S. Cl.**
USPC **D28/35**
(58) **Field of Classification Search**
USPC D28/10, 35, 37, 38
CPC ... A45D 1/00; A45D 1/04; A45D 2/00; A45D
2/02; A45D 2/12; A45D 4/00; A45D
8/00; A45D 7/02; A45D 8/40; A45D
2001/045; A45D 2001/008; A45D 19/16
See application file for complete search history.

OTHER PUBLICATIONS

BaBylissPRO Porcelain Ceramic Straightening Iron, BaByliss, reviewed on Jun. 3, 2014 on amazon.com, retrieved on Mar. 24, 2019, retrieved from the Internet URL: <https://www.amazon.com/BaBylissPRO-Porcelain-Ceramic-Straightening-Iron/dp/B000ASDX3S?th=1>.
Homitt Professional Steam Flat Iron, Ceramic Hair Straightener Brush, Homitt, reviewed on Jul. 27, 2017, retrieved on Mar. 24, 2019, retrieved from the Internet URL: <https://www.amazon.com/Homitt-Professional-Straightener-Resistant-Straightening/dp/B074C44NHQ>.

* cited by examiner

Primary Examiner — Jennifer Rivard
Assistant Examiner — Alison M Ofstun

(56) **References Cited**

U.S. PATENT DOCUMENTS

D596,795 S * 7/2009 Keong D28/35
D596,799 S * 7/2009 Kwok D28/35
D606,256 S * 12/2009 Leung D28/35
D643,974 S * 8/2011 Renault D28/35
D645,613 S * 9/2011 Schmitz D28/35
D649,288 S * 11/2011 Koehler D28/35
D672,087 S * 12/2012 Julemont D28/35
D672,089 S * 12/2012 Julemont D28/35
D816,899 S * 5/2018 Duan D28/35
10,213,000 B2* 2/2019 Moore A45D 1/04
2005/0076930 A1* 4/2005 Yuen A45D 2/002
132/132

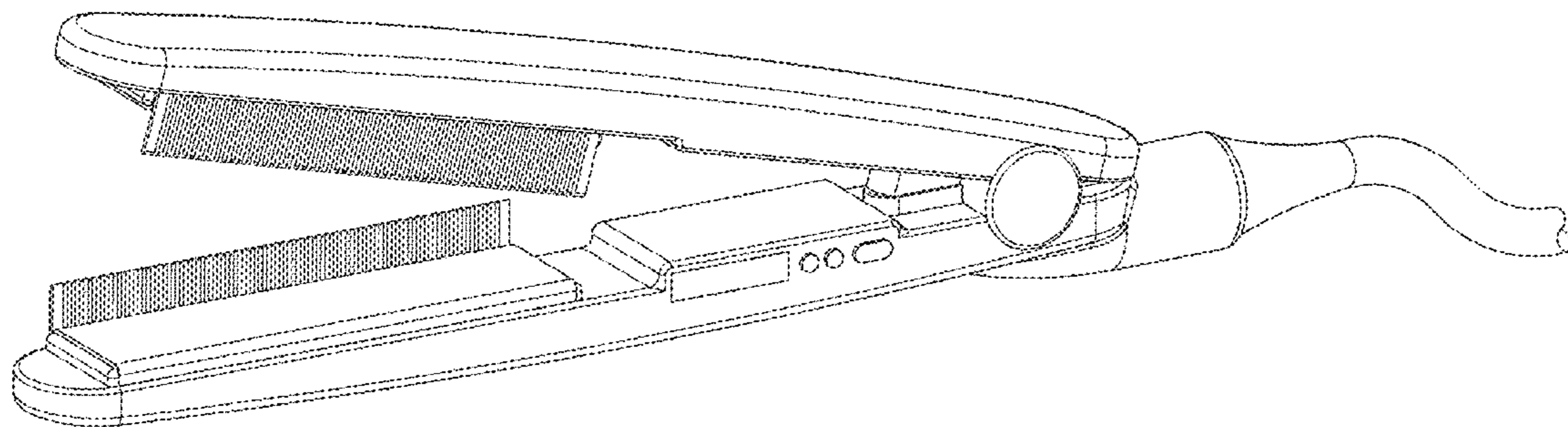
(57) **CLAIM**

The ornamental design for a flat iron, as shown and described.

DESCRIPTION

FIG. 1 is a front view of a flat iron showing my new design; and,
FIG. 2 is a top, front perspective view thereof.

1 Claim, 1 Drawing Sheet



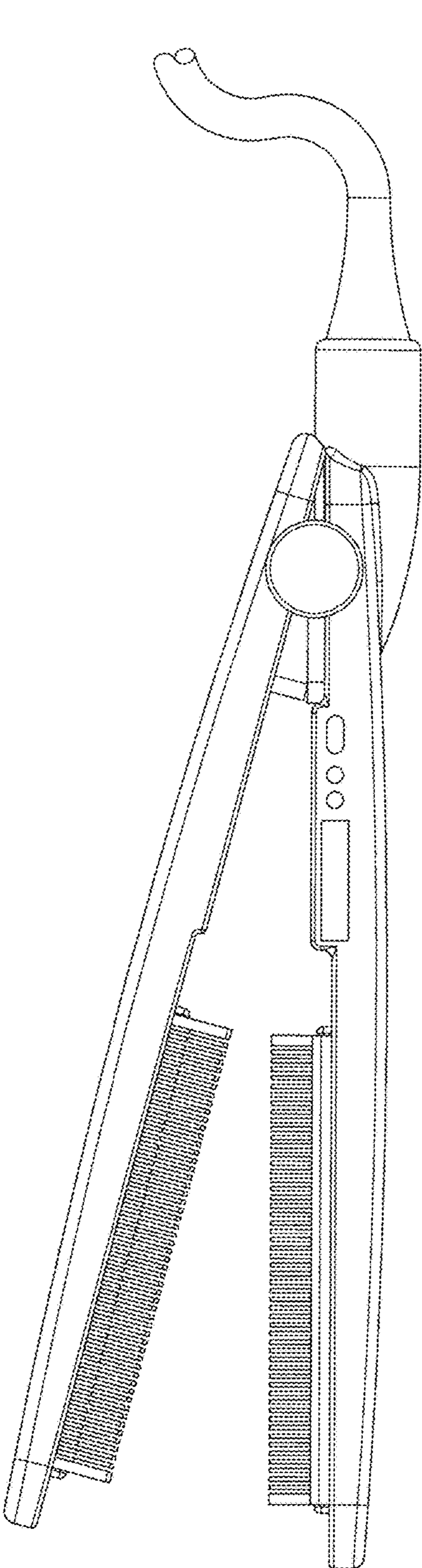


FIG. 1

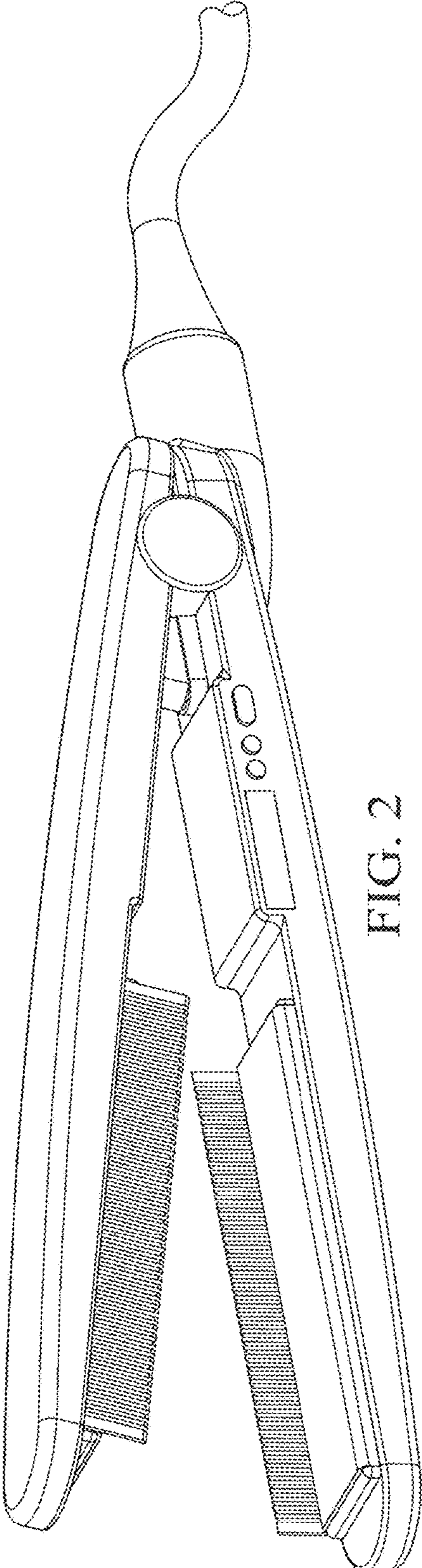


FIG. 2