



US00D851829S

(12) **United States Design Patent** (10) **Patent No.:** **US D851,829 S**
Weigensberg (45) **Date of Patent:** **** Jun. 18, 2019**

(54) **PERSONAL CARRYING CASE FOR ELECTRONIC VAPING DEVICES**

FOREIGN PATENT DOCUMENTS

WO DM047551 4/1999

(71) Applicant: **Nu Mark Innovations Ltd.**, Beit Shemesh (IL)

OTHER PUBLICATIONS

(72) Inventor: **Arye Weigensberg**, Richmond, VA (US)

Korean Office Action dated Oct. 15, 2014, issued in corresponding Korean Patent Application No. 30-2014-0011564.

(73) Assignee: **Altria Israel Ltd.**, Beit Shemesh (IL)

(Continued)

(**) Term: **15 Years**

Primary Examiner — Janice Hallmark

(21) Appl. No.: **29/578,281**

(74) *Attorney, Agent, or Firm* — Harness, Dickey & Pierce, P.L.C.

(22) Filed: **Sep. 20, 2016**

(57) **CLAIM**

Related U.S. Application Data

The ornamental design for a personal carrying case for electronic vaping devices, as shown and described.

(62) Division of application No. 29/466,655, filed on Sep. 10, 2013, now Pat. No. Des. 770,679.

(51) **LOC (11) Cl.** **27-06**

DESCRIPTION

(52) **U.S. Cl.**
USPC **D27/189**

(58) **Field of Classification Search**
USPC D27/172–194; D9/545, 686
CPC A24F 13/14
See application file for complete search history.

FIG. 1 is a top perspective view of an embodiment of a personal carrying case for electronic vaping devices of the present application;
FIG. 2 is a first side plan view of the embodiment of FIG. 1;
FIG. 3 is a second side plan view of the embodiment of FIG. 1;
FIG. 4 is a front plan view of the embodiment of FIG. 1;
FIG. 5 is a top perspective view of another embodiment thereof;
FIG. 6 is a first side plan view of the embodiment of FIG. 5;
FIG. 7 is a second side plan view of the embodiment of FIG. 5; and,
FIG. 8 is a front plan view of the embodiment of FIG. 5.
The broken lines in the drawings depict parts of the personal carrying case for electronic vaping devices that form no part of the claimed design.

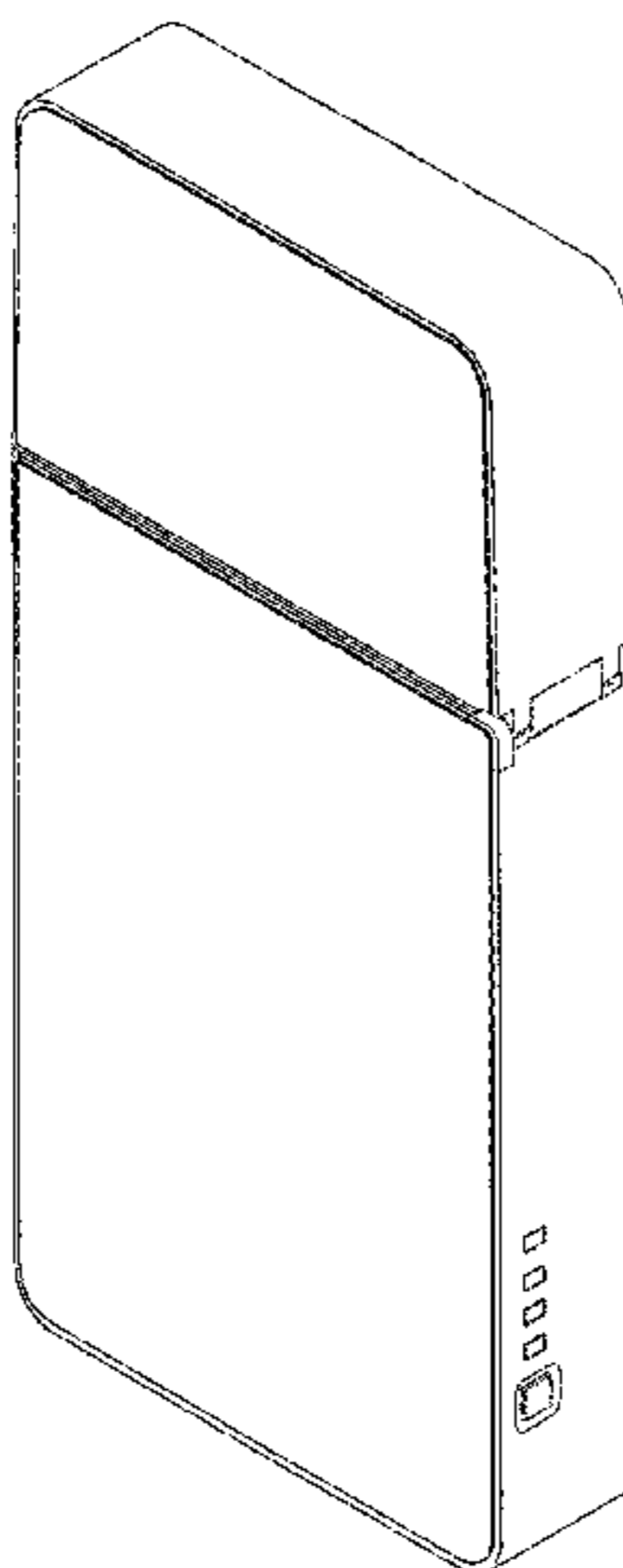
(56) **References Cited**

U.S. PATENT DOCUMENTS

D239,777 S	5/1976	Goto	
D262,744 S	1/1982	Stutzer et al.	
D272,005 S	12/1983	Stutzer et al.	
D485,640 S	1/2004	Draghetti et al.	
D485,939 S *	1/2004	Draghetti	D27/189
D610,303 S *	2/2010	Valle	D27/189
D677,000 S *	2/2013	Liu	D27/189
D683,898 S *	6/2013	Liu	D13/108
D683,899 S *	6/2013	Liu	D13/108
D688,418 S *	8/2013	Liu	D13/108
D690,461 S	9/2013	Chen	
D700,994 S *	3/2014	Alarcon	D27/189

(Continued)

1 Claim, 6 Drawing Sheets



(56)

References Cited

U.S. PATENT DOCUMENTS

8,794,245	B1	8/2014	Scatterday	
D719,701	S	12/2014	Scatterday	
D723,733	S *	3/2015	Liu	D27/189
D723,734	S *	3/2015	Liu	D27/189
D723,735	S *	3/2015	Liu	D27/189
D723,737	S *	3/2015	Liu	D27/189
D725,823	S	3/2015	Scatterday et al.	
D736,456	S *	8/2015	Liu	D27/189
D815,345	S *	4/2018	Forecast	D27/189
D815,346	S *	4/2018	Bagai	D27/191
2013/0248385	A1	9/2013	Scatterday et al.	
2013/0336358	A1	12/2013	Liu	
2013/0342157	A1	12/2013	Liu	
2014/0007892	A1	1/2014	Liu	
2014/0286002	A1	9/2014	Liu	

OTHER PUBLICATIONS

Argentinian Office Action dated Nov. 20, 2014, issued in Application No. 86679.

Russian Office Action issued in Application No. 2014500930, dated Mar. 11, 2014.

Israeli Office Action issued in Israeli Application No. 55349, dated Feb. 16, 2015.

Korean Office Action issued in Korean Application No. 30-2014-0011564, dated Feb. 24, 2015.

* cited by examiner

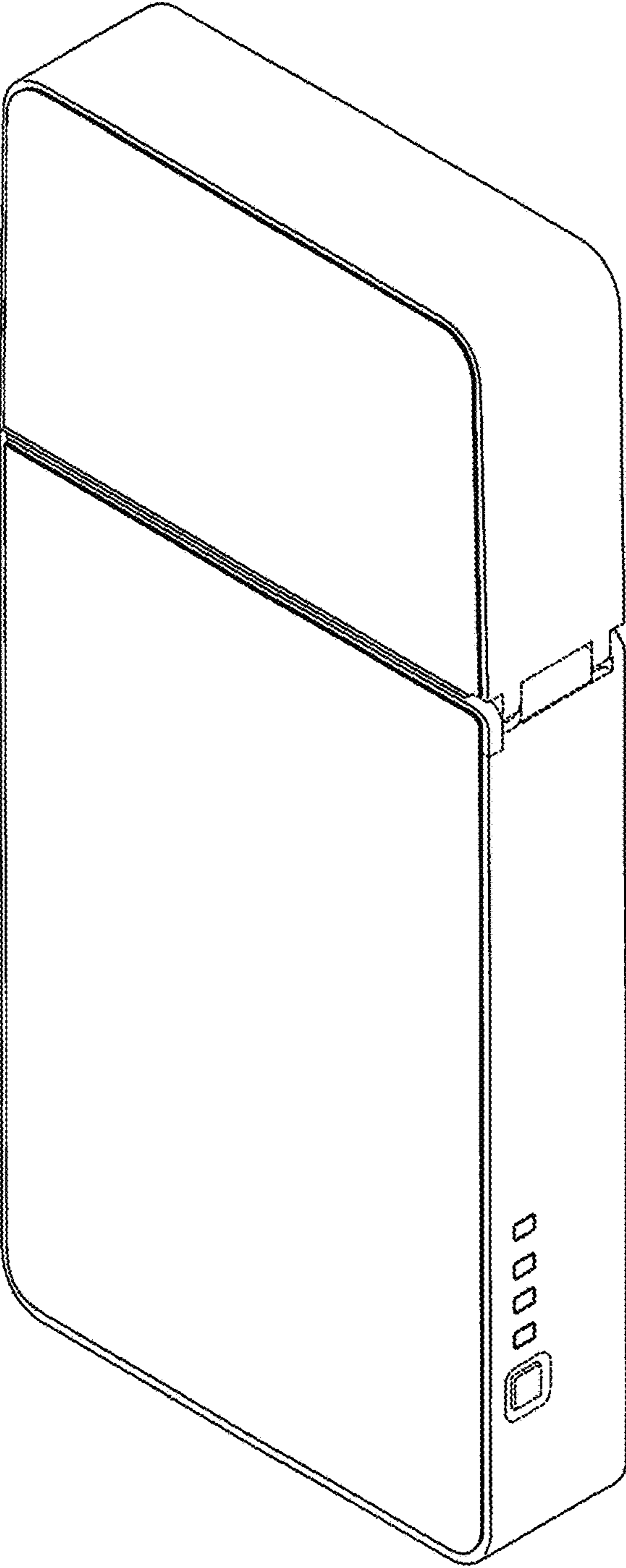


FIG. 1

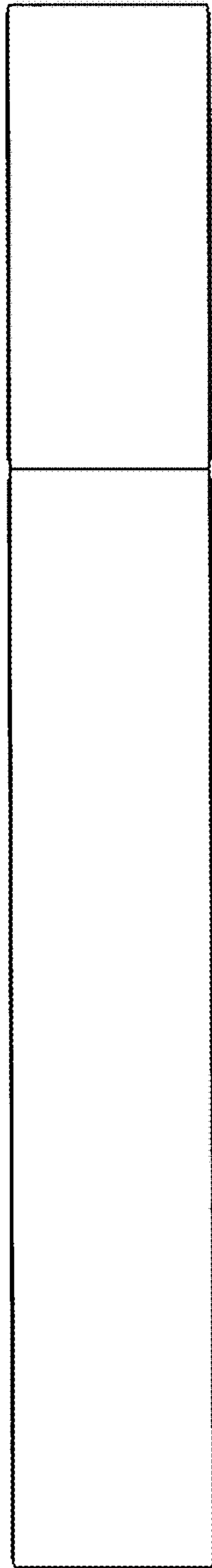


FIG. 2

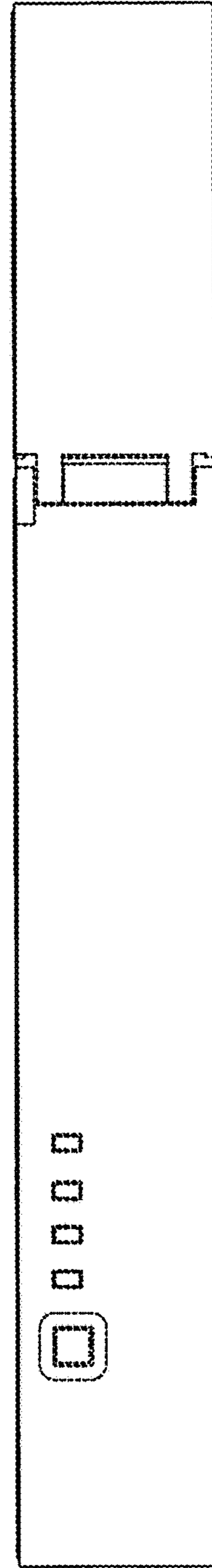


FIG. 3

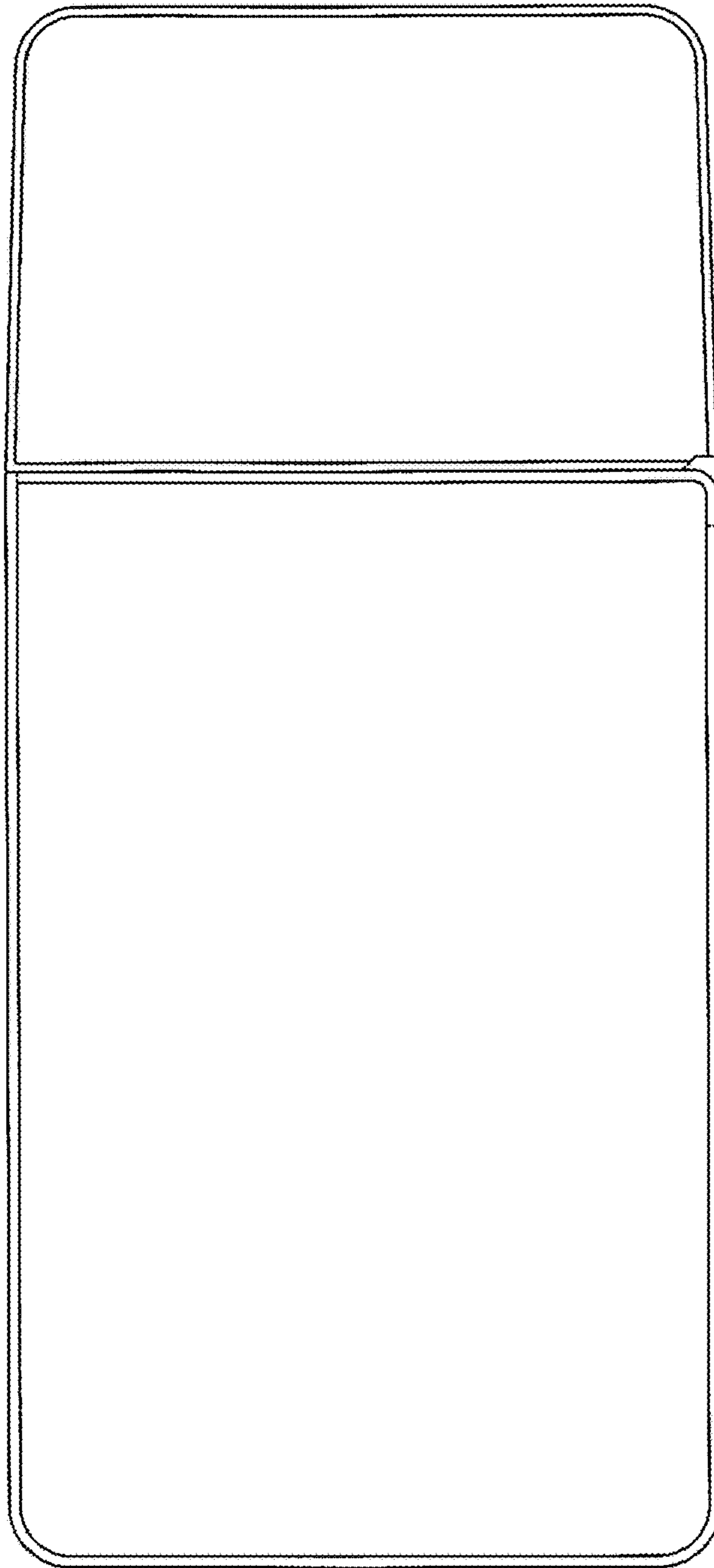


FIG. 4

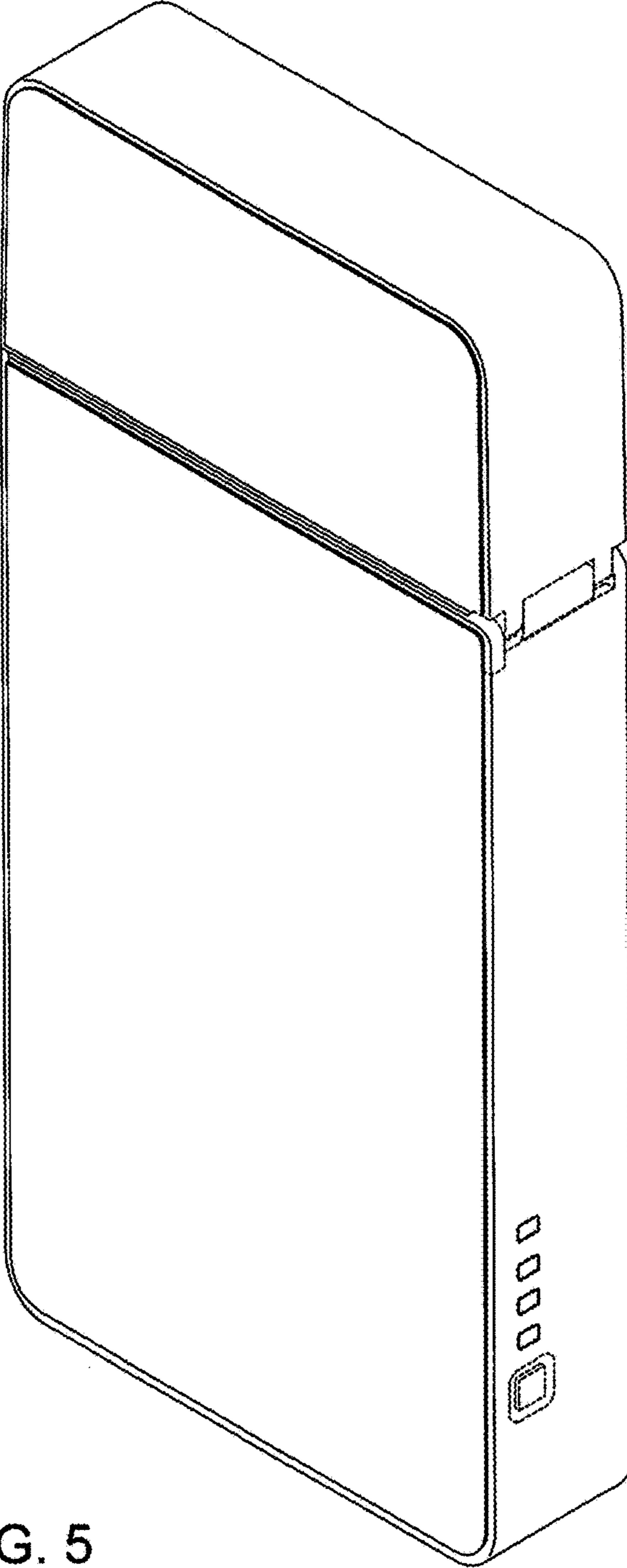


FIG. 5

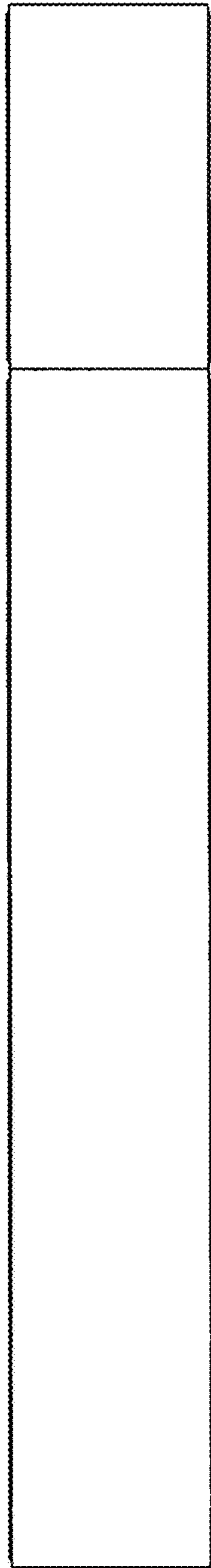


FIG. 6

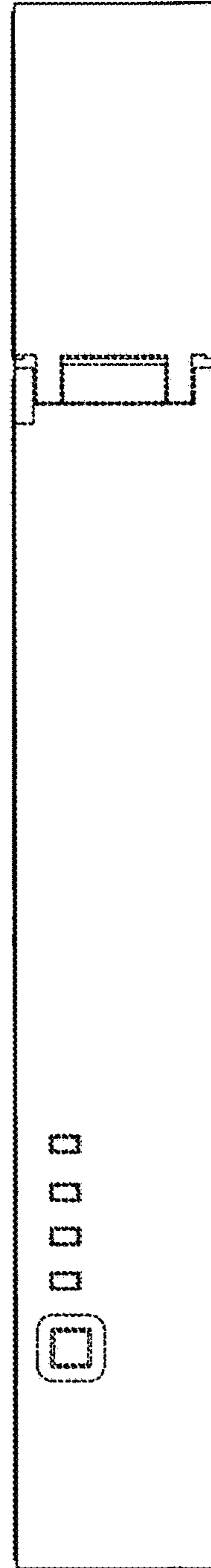


FIG. 7

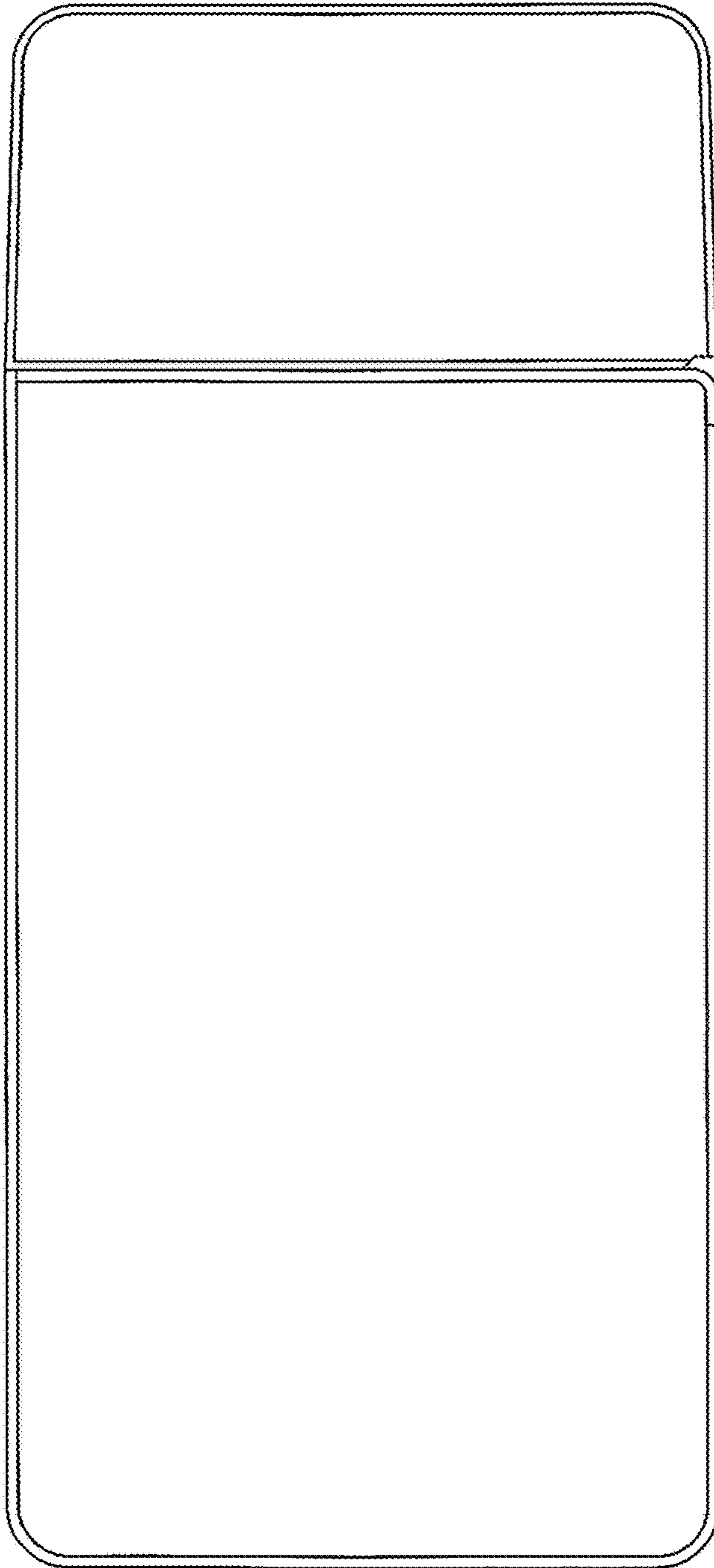


FIG. 8