



US00D851828S

(12) **United States Design Patent**
Bodenchuk et al.

(10) **Patent No.:** **US D851,828 S**
(45) **Date of Patent:** **** Jun. 18, 2019**

(54) **COMBINED LIGHTER HOLDER AN TOOL**
(71) Applicants: **Matthew Robert Bodenchuk**, Edwards,
CO (US); **Leslie Renea Reed**, Edwards,
CO (US)

4,230,224 A 10/1980 Weeks
4,318,416 A 3/1982 Thornhill
4,342,902 A 8/1982 Ping
4,600,022 A 7/1986 Pierce
6,693,850 B2 2/2004 Mulaw
(Continued)

(72) Inventors: **Matthew Robert Bodenchuk**, Edwards,
CO (US); **Leslie Renea Reed**, Edwards,
CO (US)

FOREIGN PATENT DOCUMENTS

GB 209416 A 7/1924
GB 575451 A 2/1946

(73) Assignee: **SITG LLC**, Fruita, CO (US)

(**) Term: **15 Years**

OTHER PUBLICATIONS

Toker Pokers by Toker Poker. dated 2018. found online [Jan. 14, 2019] <https://tokerpoker.com/collections/toker-pokers>.*

(21) Appl. No.: **29/630,603**

(22) Filed: **Dec. 21, 2017**

Primary Examiner — Marissa J Cash

(51) **LOC (11) Cl.** **27-06**

(74) *Attorney, Agent, or Firm* — Kilpatrick Townsend & Stockton LLP

(52) **U.S. Cl.**
USPC **D27/174**

(58) **Field of Classification Search**
USPC D27/100, 101, 139–161, 162–196;
D24/110; D23/366; D3/273; D9/455,
D9/456; D15/144–144.2
CPC ... A24F 15/00; A24F 9/16; F23Q 2/16; F23Q
2/164
See application file for complete search history.

(57) **CLAIM**

The ornamental design of a combined lighter holder and tool, or portion thereof, as shown and described.

DESCRIPTION

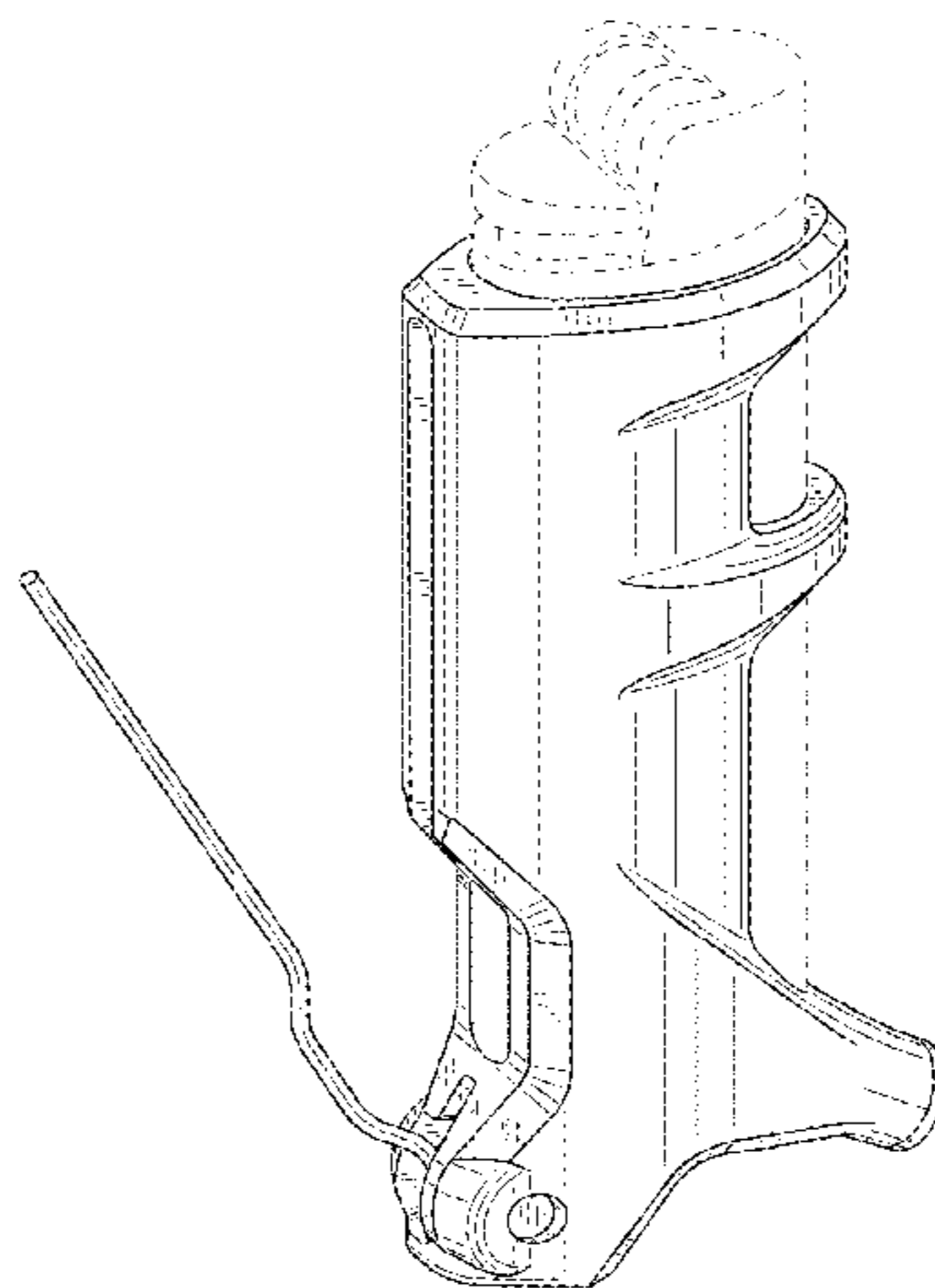
FIG. 1 is a perspective view of a combined lighter holder and tool, showing our new design, with the tool portion in a deployed configuration;
FIG. 2 is a perspective view of the combined lighter holder and tool, with the tool portion in a retracted configuration;
FIG. 3 is a right side view thereof;
FIG. 4 is a left side view thereof;
FIG. 5 is a front view thereof;
FIG. 6 is a back view thereof;
FIG. 7 is a top view thereof; and,
FIG. 8 is a bottom view thereof.
In the drawings, the broken lines are for purposes of illustrating environmental subject matter only and form no part of the claimed design.

(56) **References Cited**

U.S. PATENT DOCUMENTS

1,782,026 A 11/1930 Beyer
1,845,340 A 2/1932 Woller
2,005,557 A 6/1935 Penney
2,043,888 A 6/1936 Denit
2,294,133 A 8/1942 Schwalbe
2,460,427 A 2/1949 Musselman et al.
2,777,569 A 1/1957 Starke, Jr.
2,856,098 A 10/1958 Heinrich
3,200,822 A 8/1965 Meyer
3,923,085 A 12/1975 Nimer
4,043,348 A 8/1977 Kanady
4,152,109 A 5/1979 Schaffer

1 Claim, 7 Drawing Sheets



(56)

References Cited

U.S. PATENT DOCUMENTS

D548,883	S	8/2007	Lin	
D586,953	S *	2/2009	Riggio	D27/125
D662,655	S	6/2012	Bodenchuk et al.	
D739,600	S *	9/2015	Paramadilok	D27/161
D749,262	S *	2/2016	Schoenfeld	A47G 19/2205
				D27/163
D751,250	S *	3/2016	Vuong	D27/183
D806,946	S *	1/2018	Deahj	D27/172
9,930,912	B2	4/2018	Bodenchuk et al.	
2008/0142026	A1	6/2008	Chou	
2010/0065073	A1	3/2010	Sweeney	
2010/0101591	A1	4/2010	Rosso	
2013/0199548	A1 *	8/2013	Bodenchuk	A24F 9/02
				131/247
2014/0011144	A1 *	1/2014	Hancock	F23Q 2/50
				431/350
2016/0183591	A1 *	6/2016	Thorne	A24F 9/02
				131/243

* cited by examiner

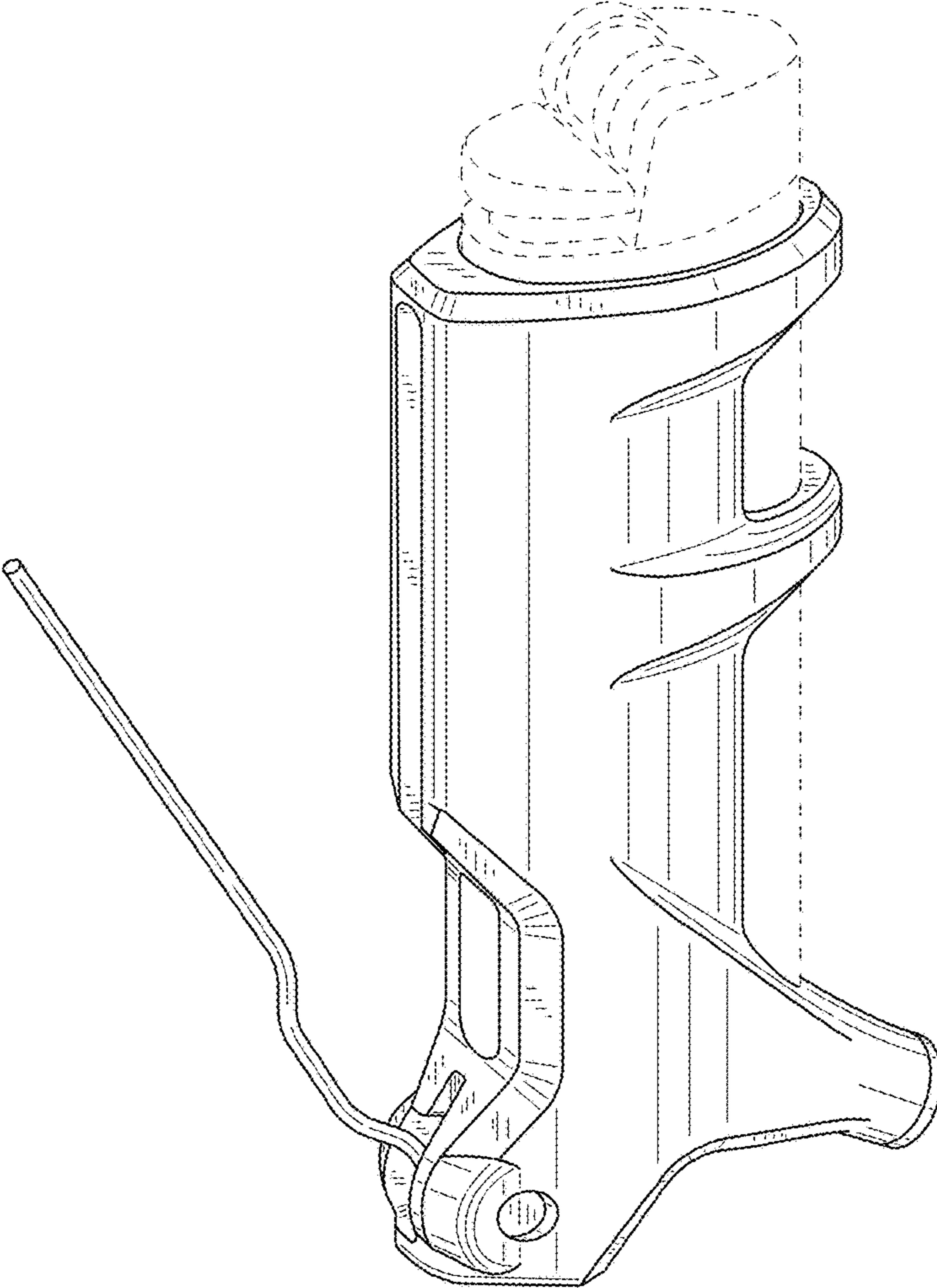


FIG.1

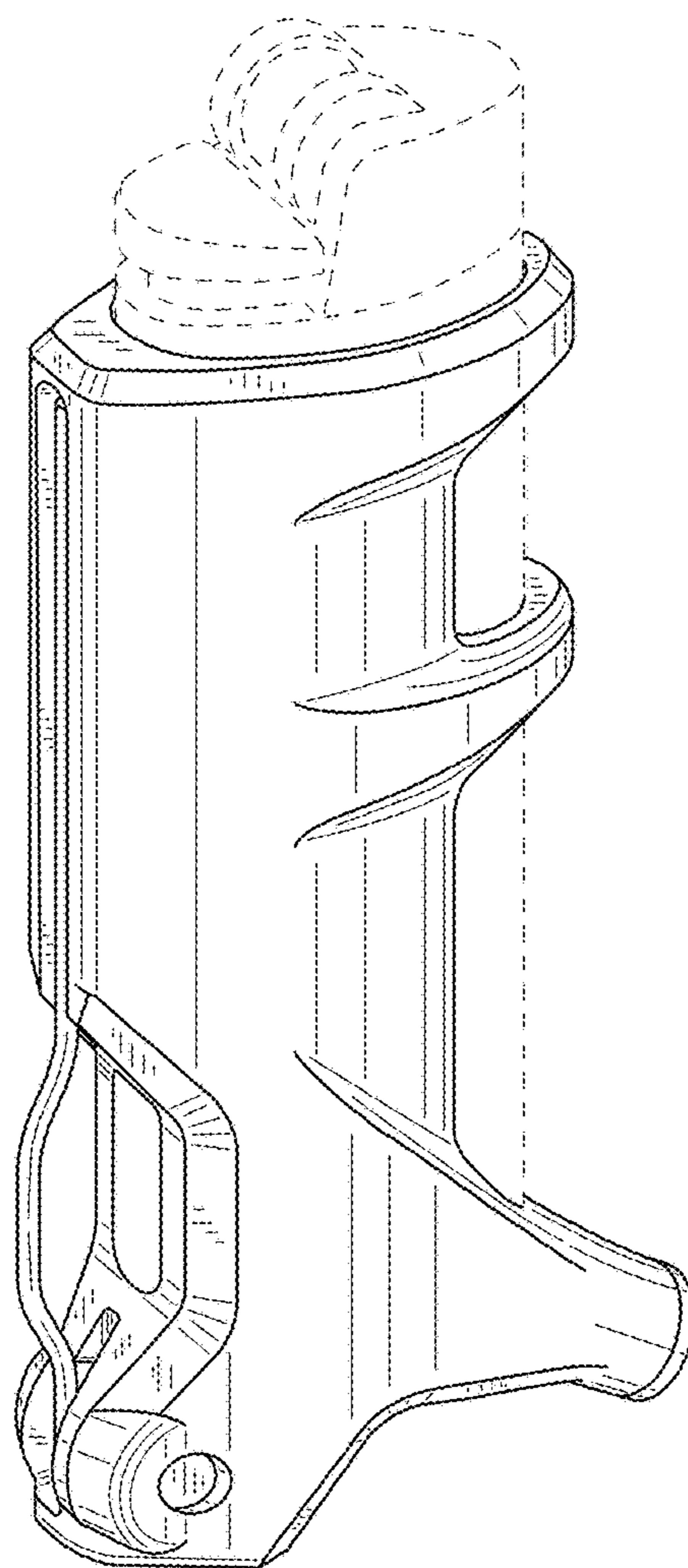


FIG.2

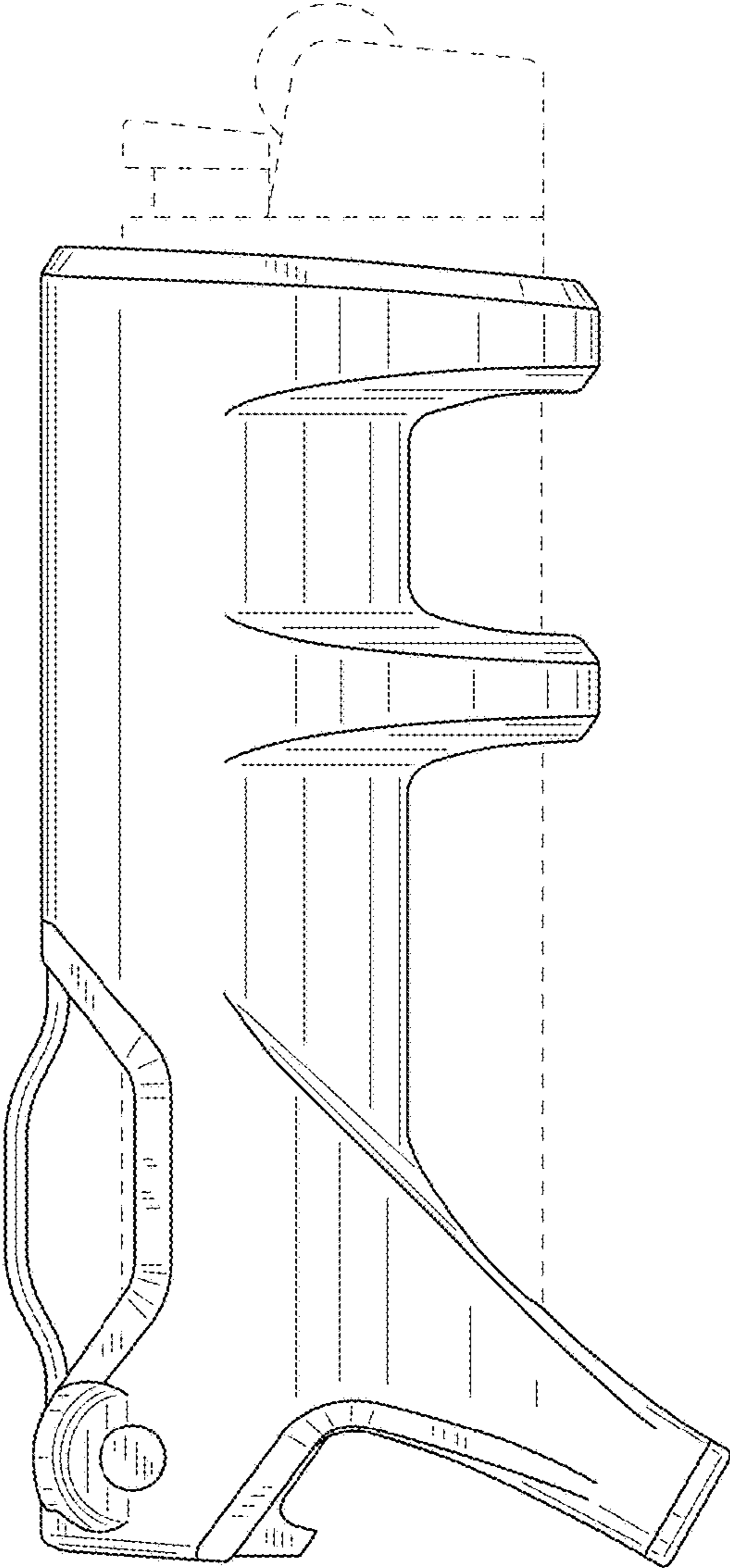


FIG.3

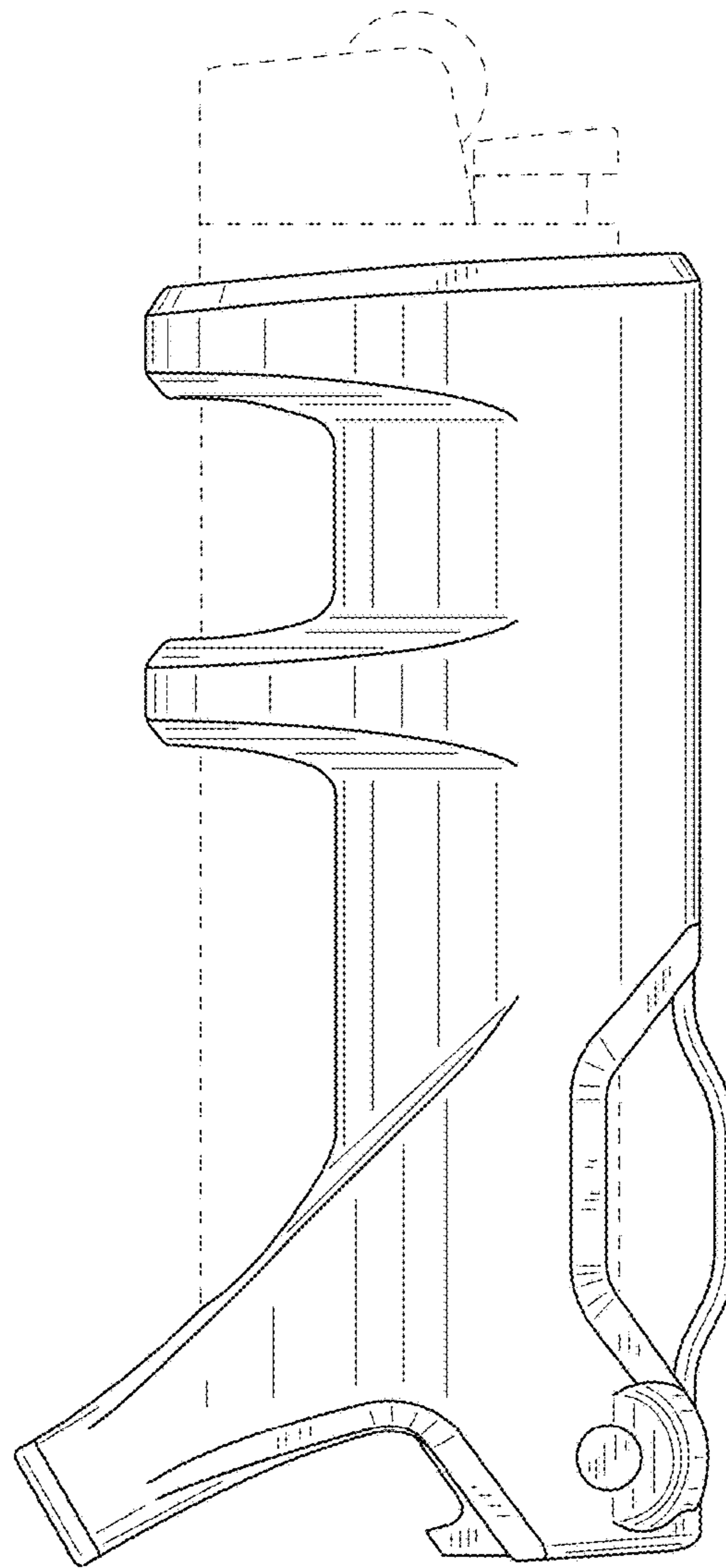


FIG.4

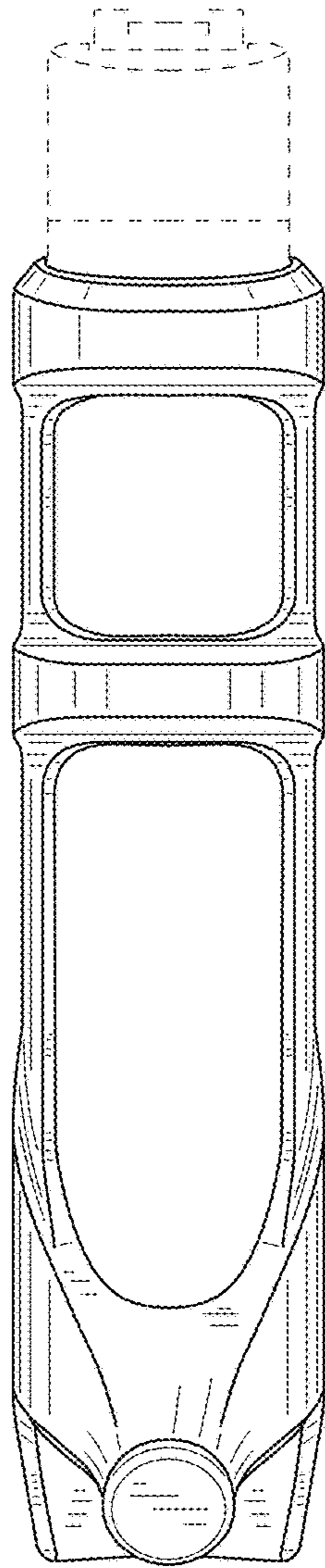


FIG.5

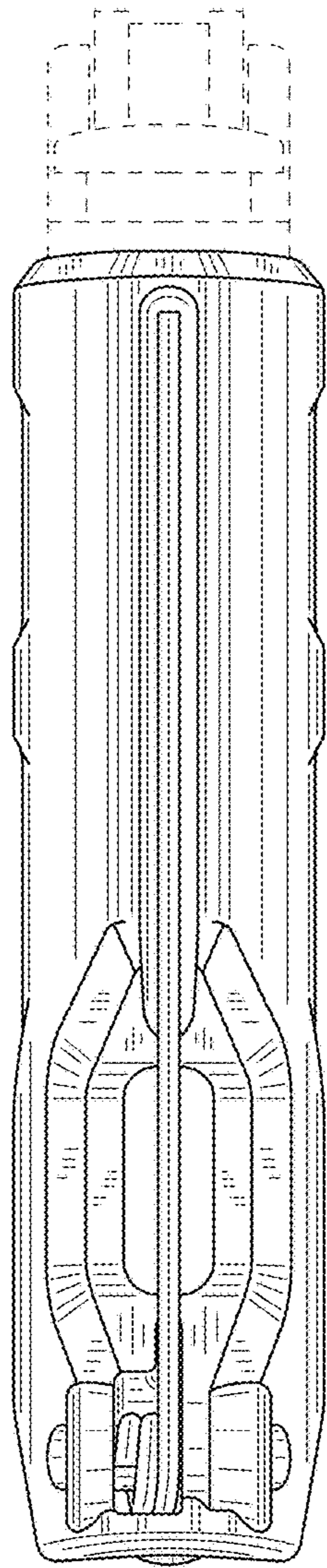


FIG.6

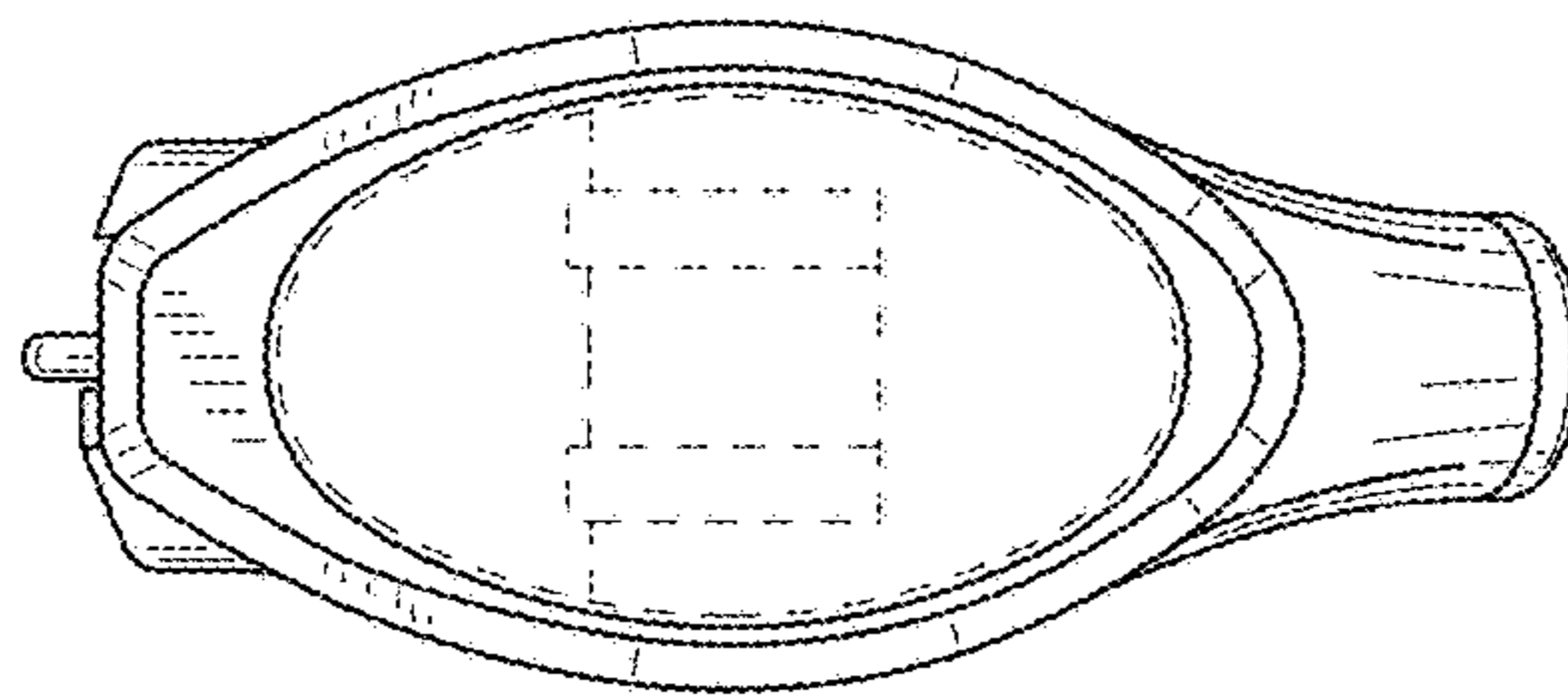


FIG. 7

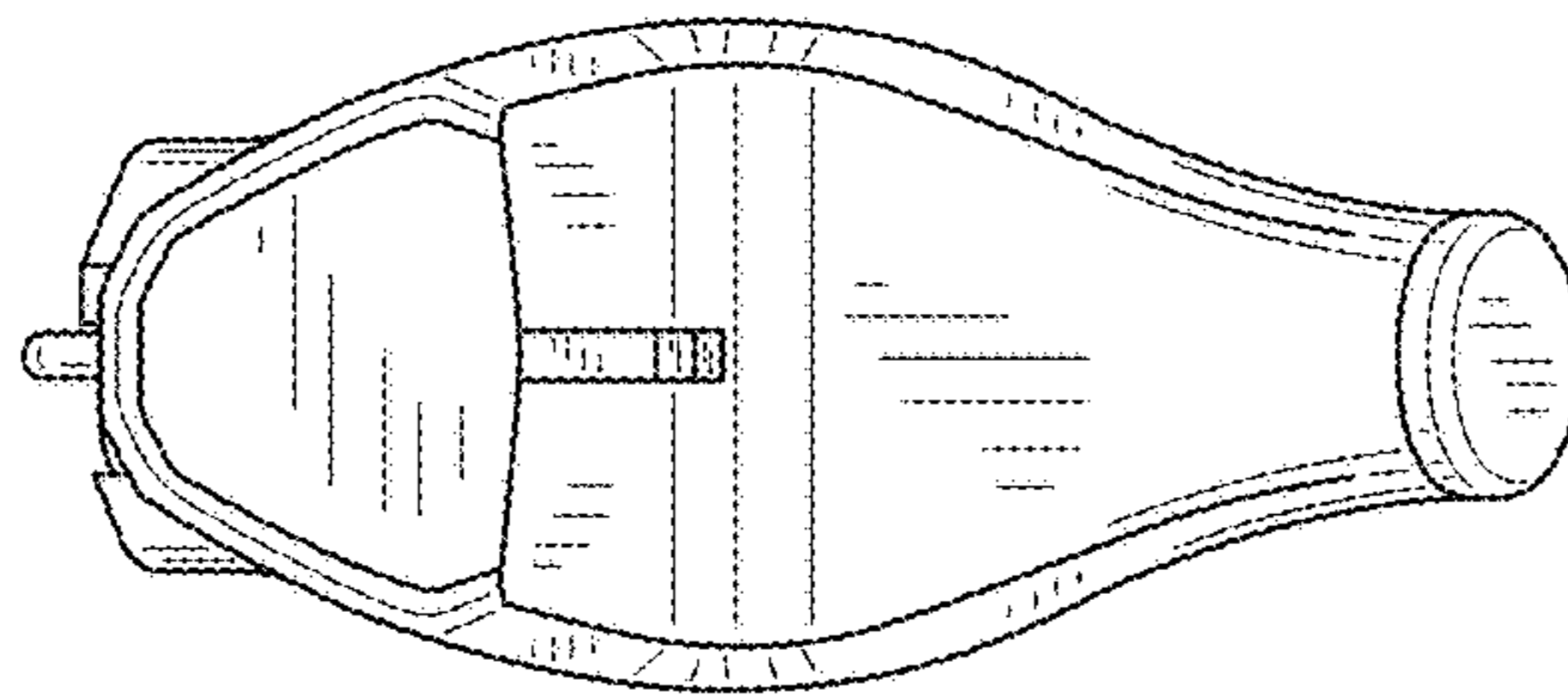


FIG. 8