



US00D851820S

(12) **United States Design Patent**  
**Sperling**

(10) **Patent No.:** **US D851,820 S**

(45) **Date of Patent:** **\*\* Jun. 18, 2019**

(54) **LIGHT FIXTURE**

(71) Applicant: **Maxim Lighting International, Inc.**,  
City of Industry, CA (US)

(72) Inventor: **Jacob Sperling**, City of Industry, CA  
(US)

(73) Assignee: **Maxim Lighting International, Inc.**,  
City of Industry, CA (US)

(\*\*) Term: **15 Years**

(21) Appl. No.: **29/590,419**

(22) Filed: **Jan. 10, 2017**

(51) **LOC (11) Cl.** ..... **28-99**

(52) **U.S. Cl.**

USPC ..... **D26/144; D26/81**

(58) **Field of Classification Search**

USPC ..... D26/72, 80-88, 90, 91, 143, 144, 152,  
D26/153, 155

CPC ..... F21S 8/04; F21S 8/06; F21S 8/061; F21S  
8/063; F21S 8/065

See application file for complete search history.

(56) **References Cited**

**U.S. PATENT DOCUMENTS**

D498,870 S	*	11/2004	Parres	.....	D26/81
D499,507 S	*	12/2004	Parres	.....	D26/143
D515,728 S	*	2/2006	Yando	.....	D26/142
D628,736 S	*	12/2010	Chen	.....	D26/81

D659,882 S	*	5/2012	Sterling	.....	D26/83
D666,760 S	*	9/2012	Arola Ferrer	.....	D26/84
D773,099 S	*	11/2016	Sonneman	.....	D26/84
D773,715 S	*	12/2016	Sonneman	.....	D26/84
9,879,845 B2	*	1/2018	Sonneman	.....	F21V 21/35
D810,346 S	*	2/2018	Genovese	.....	D26/86
2012/0257388 A1	*	10/2012	Bracher	.....	F21S 8/061 362/249.01
2015/0338038 A1	*	11/2015	Feit	.....	F21S 8/061 362/147

\* cited by examiner

*Primary Examiner* — Clare E Heflin

(74) *Attorney, Agent, or Firm* — Polsinelli PC; Adam C. Rehm

(57) **CLAIM**

The ornamental design for a light fixture, as shown and described.

**DESCRIPTION**

FIG. 1 is a front, top side perspective view of a light fixture according to the new design;  
 FIG. 2 is a front side elevation view thereof;  
 FIG. 3 is a rear side elevation view thereof;  
 FIG. 4 is a left side elevation view thereof;  
 FIG. 5 is a right side elevation view thereof;  
 FIG. 6 is a top plan view thereof;  
 FIG. 7 is a bottom plan view thereof; and,  
 FIG. 8 is a front, bottom side perspective view thereof.  
 The broken lines shown on the drawing depict portions of the light fixture that form no part of the claimed design.

**1 Claim, 8 Drawing Sheets**

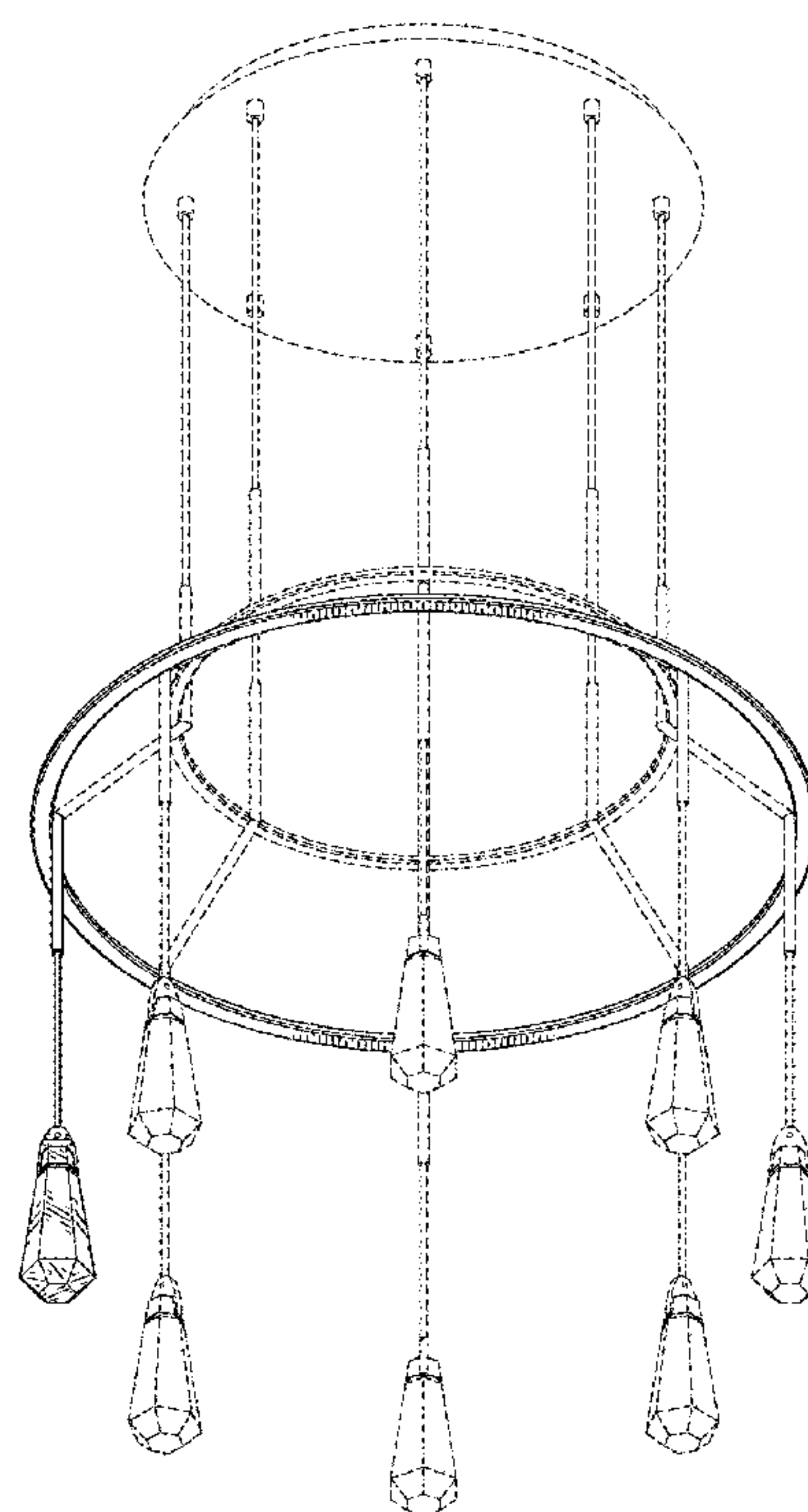
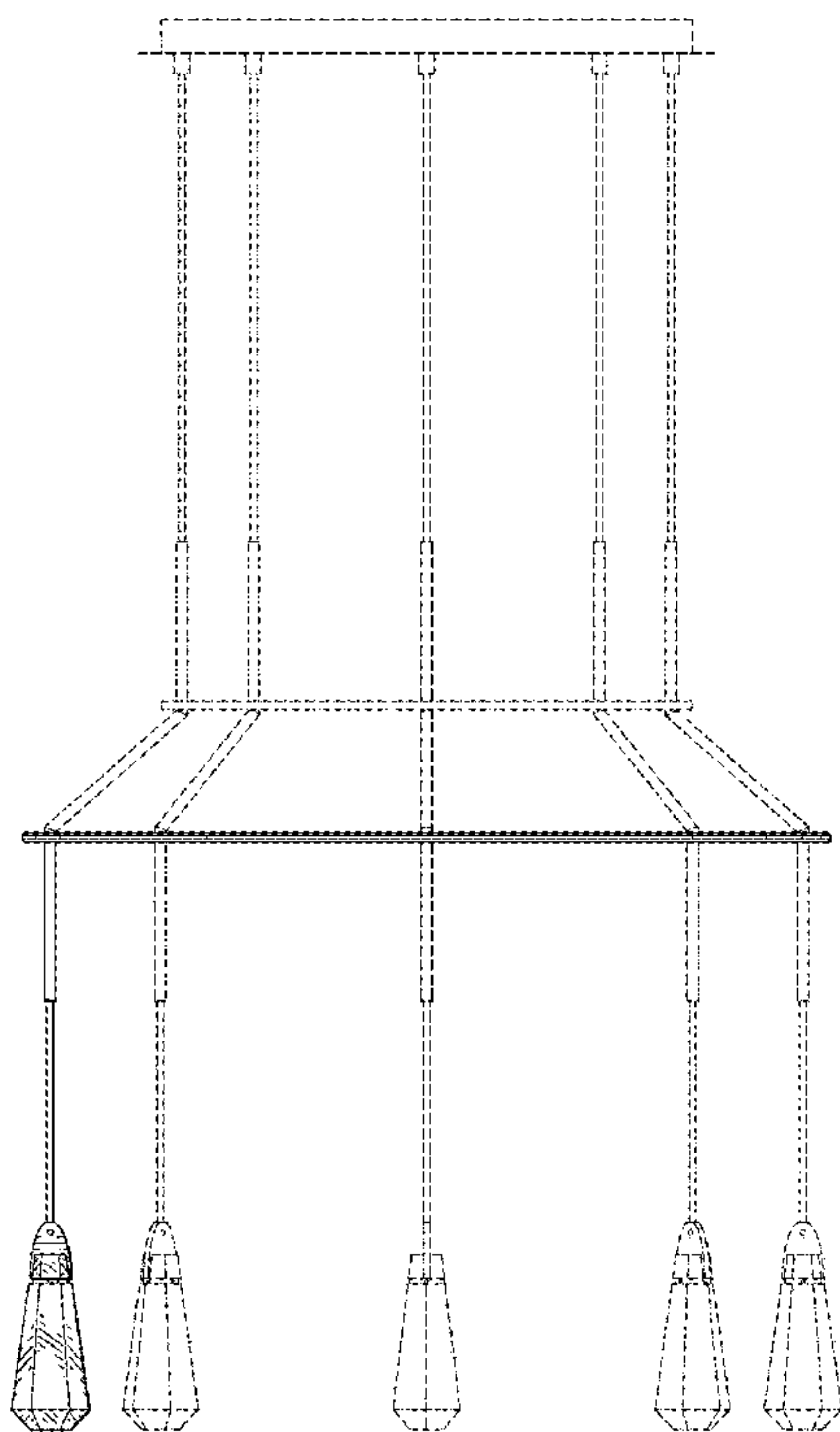


FIG. 1

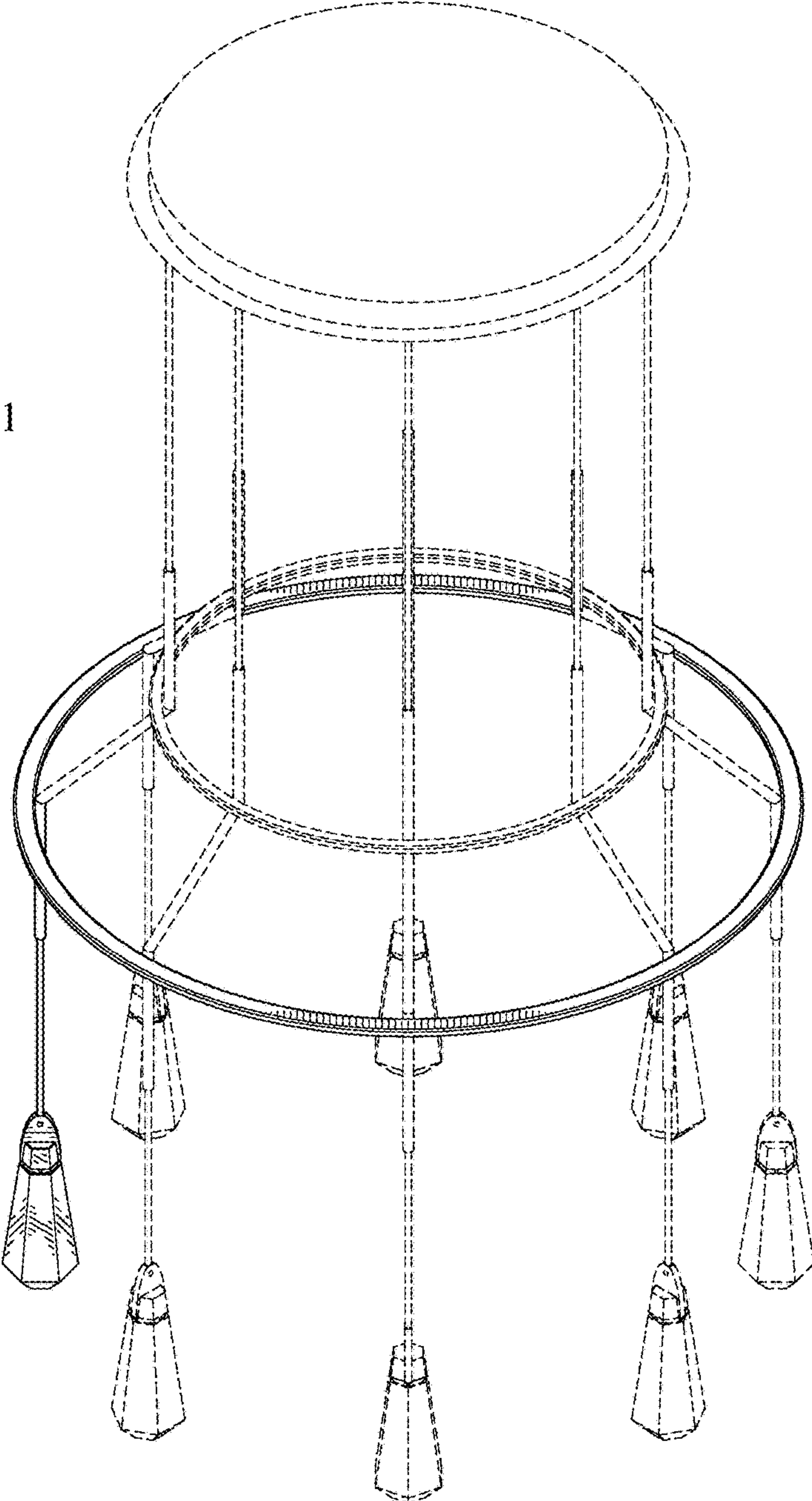


FIG. 2

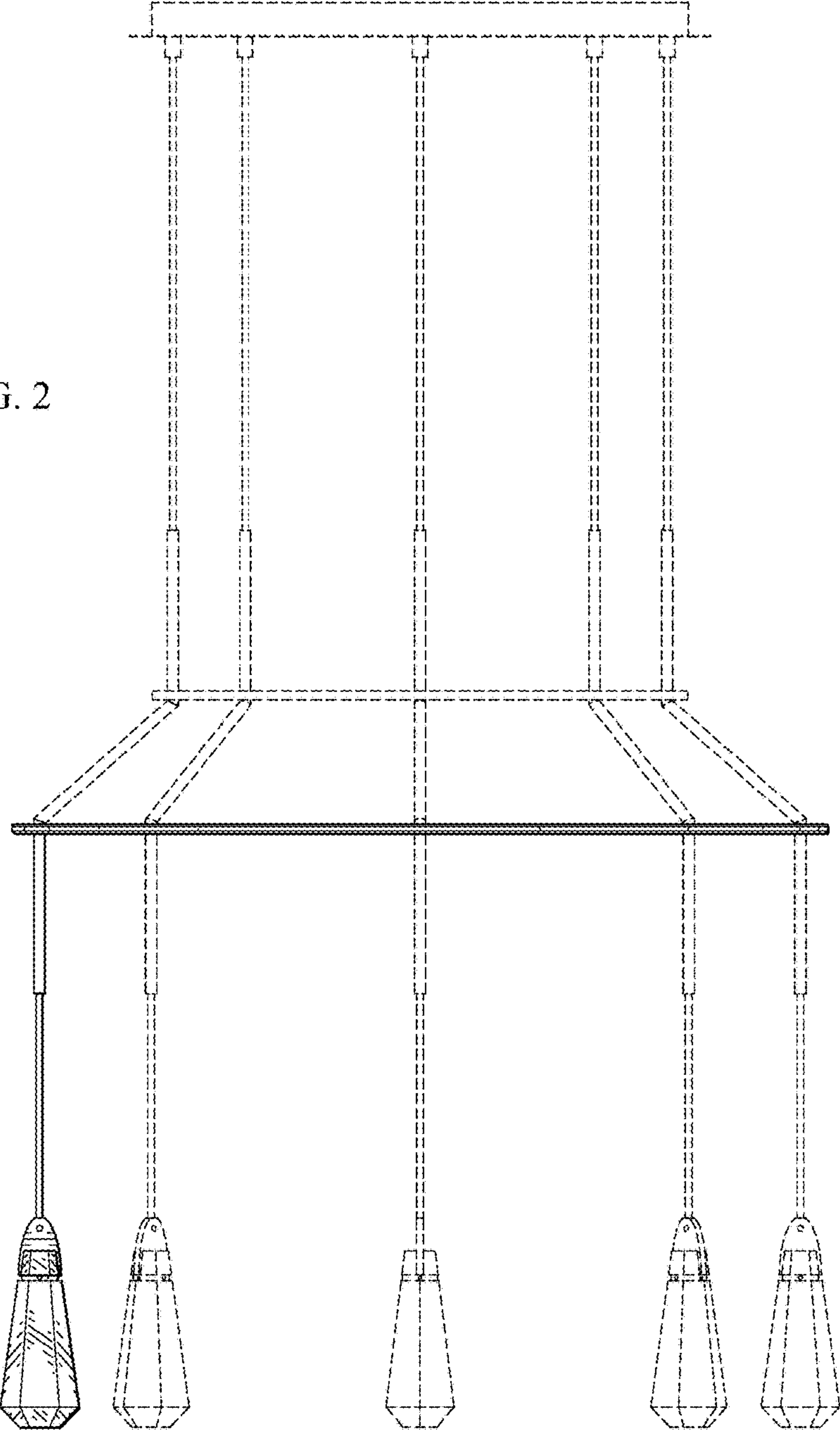


FIG. 3

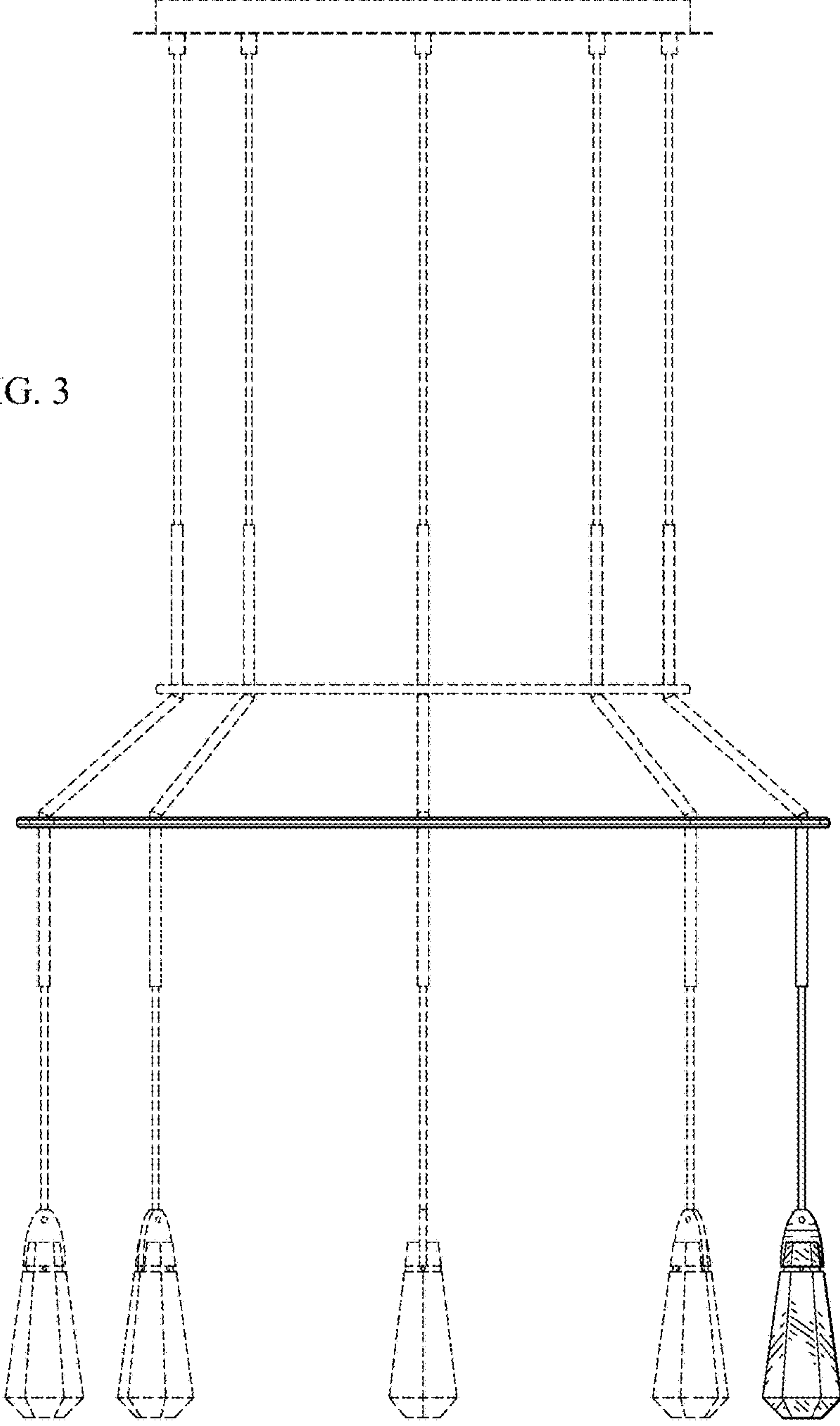


FIG. 4

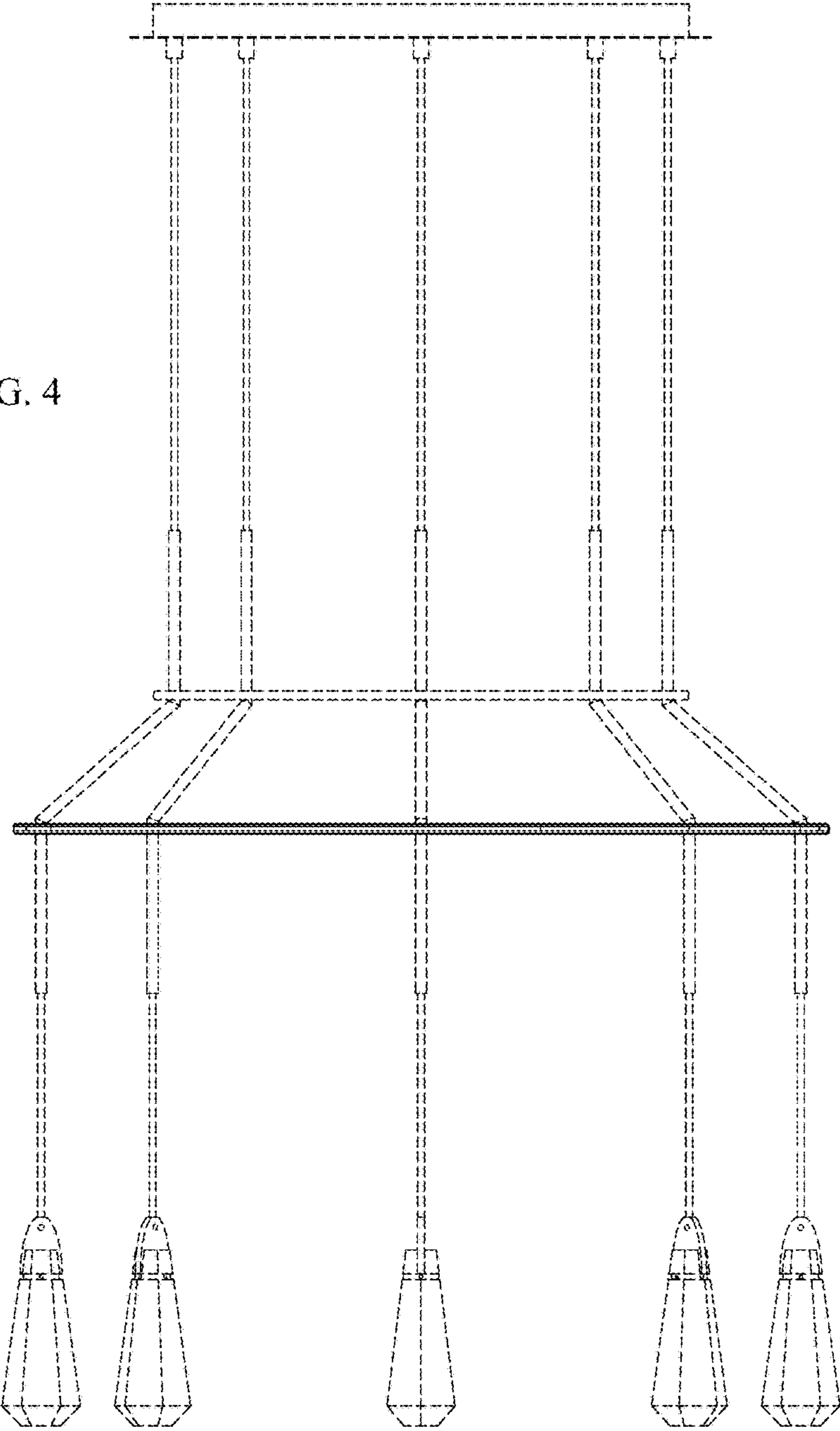
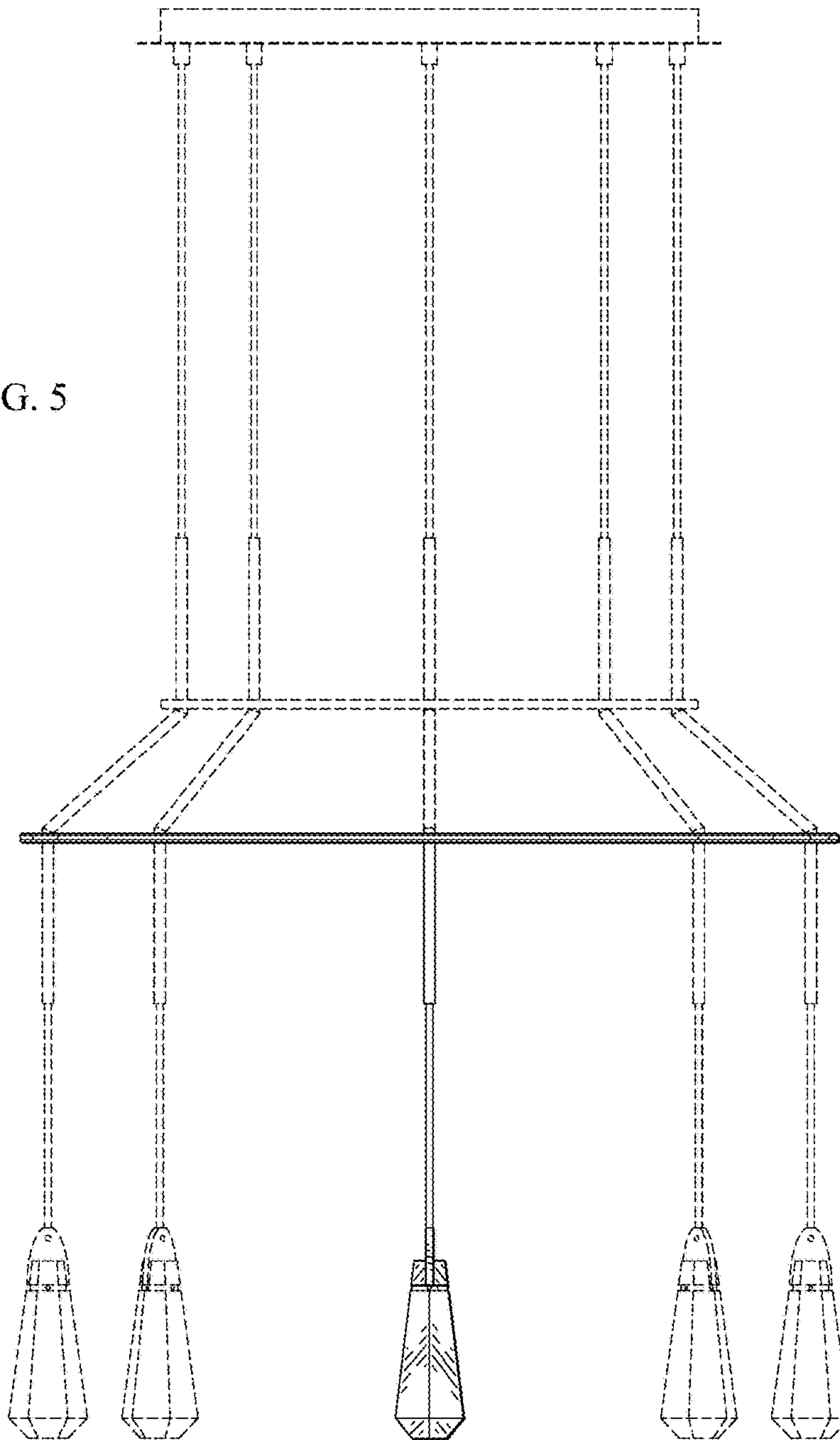




FIG. 5



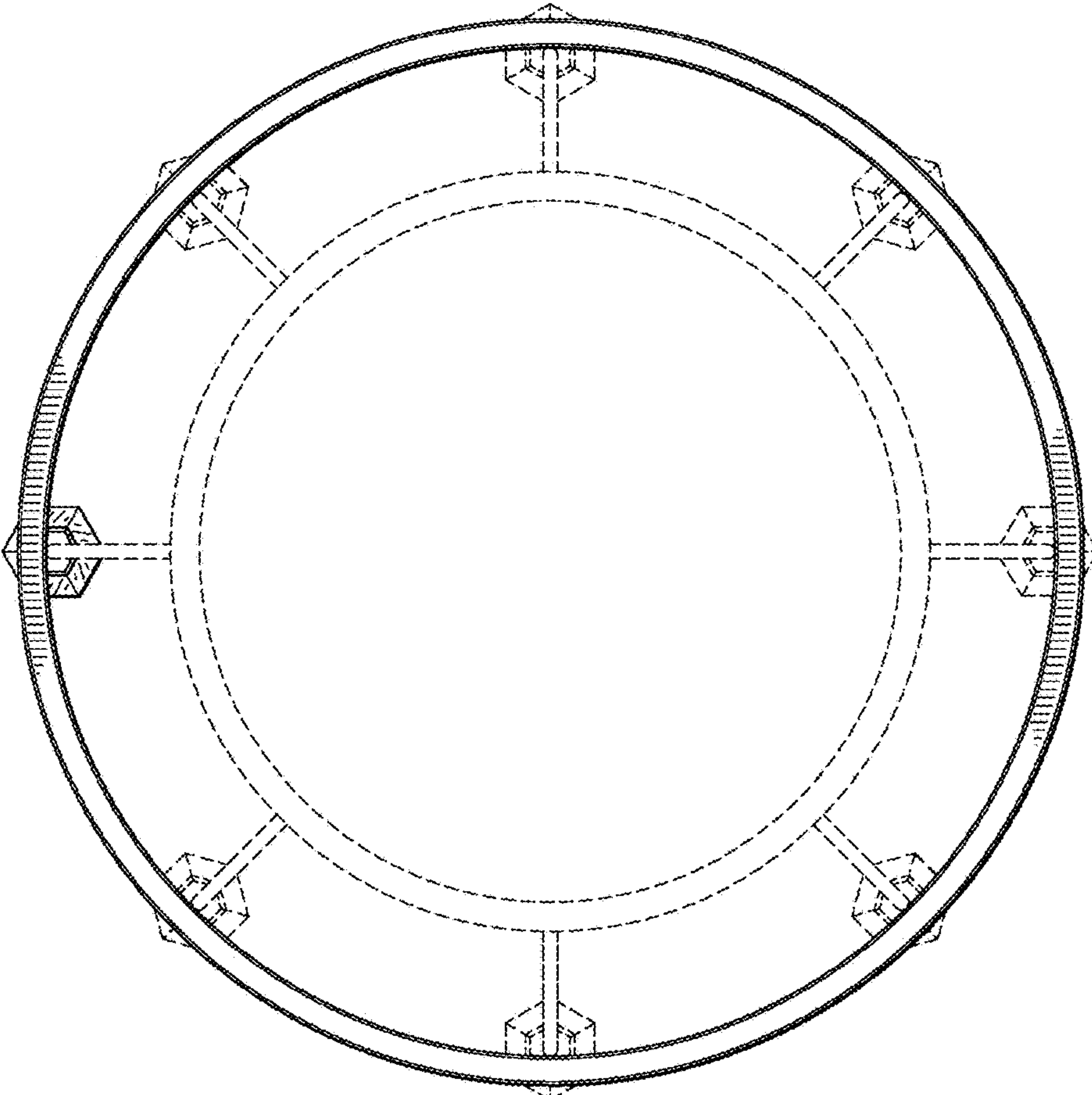


FIG. 6

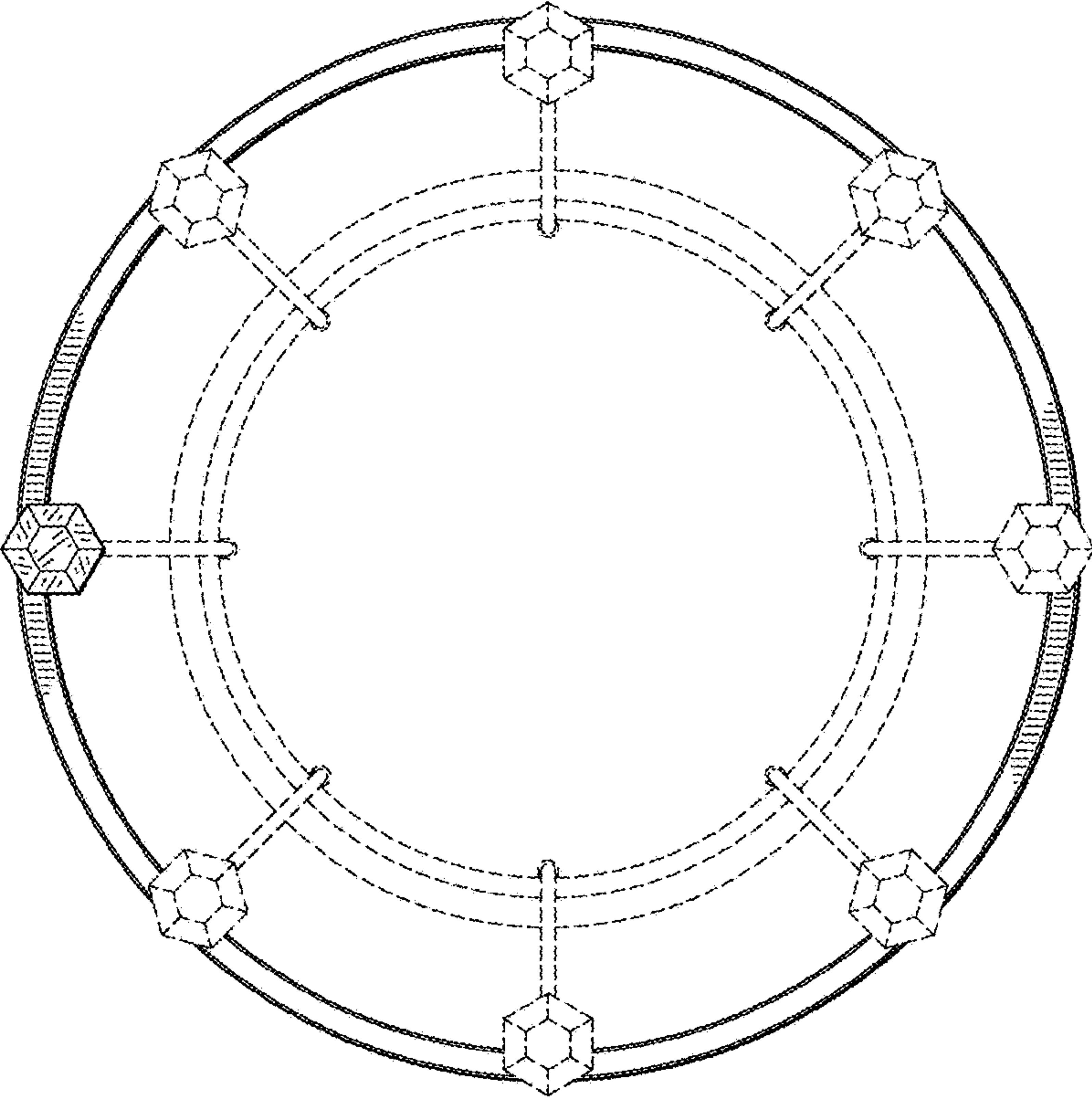


FIG. 7



FIG. 8

