



US00D851817S

(12) **United States Design Patent**  
**Morelock et al.**

(10) **Patent No.:** **US D851,817 S**  
(45) **Date of Patent:** **\*\* Jun. 18, 2019**

(54) **MOTORCYCLE TURN SIGNAL LENS**

OTHER PUBLICATIONS

(71) Applicant: **Custom Dynamics LLC**, Youngsville, NC (US)  
(72) Inventors: **David Morelock**, Escondido, CA (US); **Travis Downing**, Carlsbad, CA (US)  
(73) Assignee: **CUSTOM DYNAMICS LLC**, Youngsville, NC (US)

Chinese Patent Office Action for Application No. 201830409095.1 dated Nov. 30, 2018 (2 pages, statement of relevance included).

\* cited by examiner

*Primary Examiner* — Marcus A Jackson

(74) *Attorney, Agent, or Firm* — Michael Best & Friedrich LLP

(\*\*) Term: **15 Years**

(57) **CLAIM**

(21) Appl. No.: **29/635,140**

The ornamental design for a motorcycle turn signal lens, as shown and described.

(22) Filed: **Jan. 29, 2018**

(51) **LOC (11) Cl.** ..... **26-99**

(52) **U.S. Cl.**  
USPC ..... **D26/139**

(58) **Field of Classification Search**  
USPC ..... D26/28–36, 139  
CPC ..... B60Q 9/13; B60Q 9/135; B60Q 9/1375; F21S 48/00; F21S 48/10; F21S 48/115; F21S 48/225; F21S 48/1233; F21S 48/1266; F21S 48/1388; F21S 48/2268; F21V 21/04

See application file for complete search history.

**DESCRIPTION**

FIG. 1 is a perspective view of the motorcycle turn signal lens.

FIG. 2 is a front elevational view of the motorcycle turn signal lens.

FIG. 3 is a side elevational view of the motorcycle turn signal lens with the opposite side being a mirror image of the same.

FIG. 4 is a top plan view of the motorcycle turn signal lens with the bottom being a mirror image of the same; and, FIG. 5 is a perspective view of the motorcycle turn signal lens installed in a bullet housing.

The back forms no part of the claimed design.

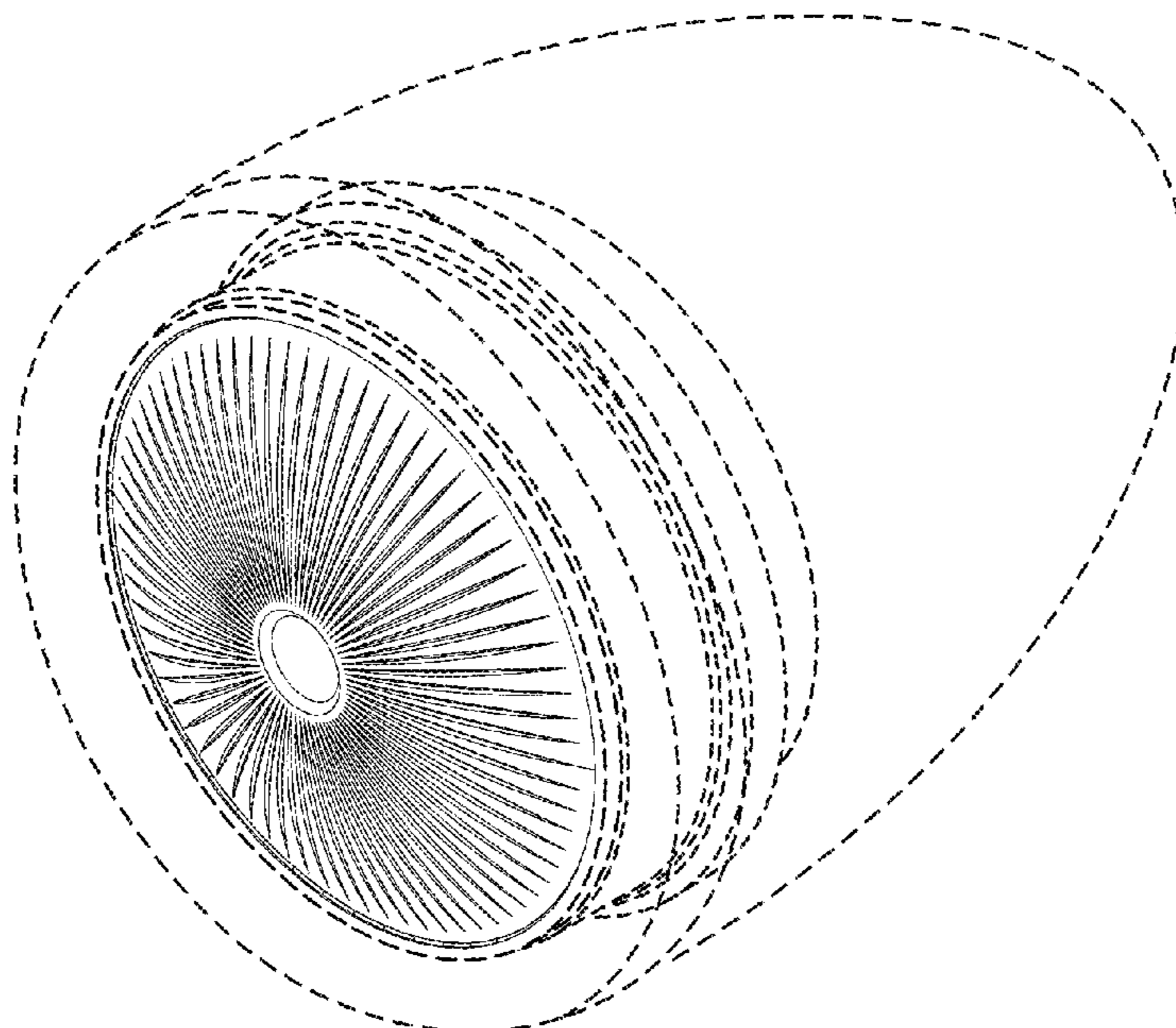
The broken lines form no part of the claimed design.

(56) **References Cited**

U.S. PATENT DOCUMENTS

D431,318 S \* 9/2000 Huang ..... D26/139  
D831,883 S \* 10/2018 Goltche ..... D26/139

**1 Claim, 5 Drawing Sheets**



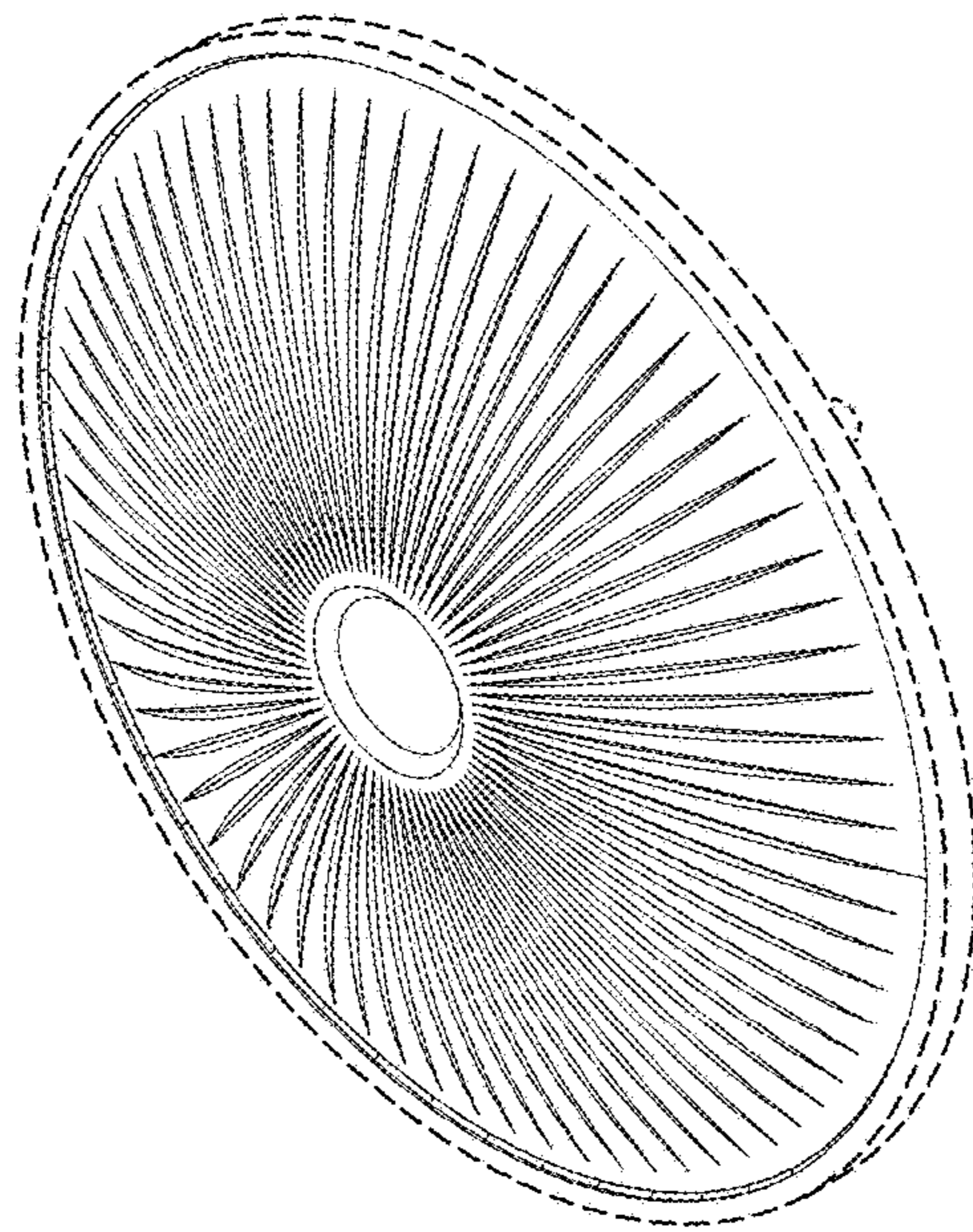
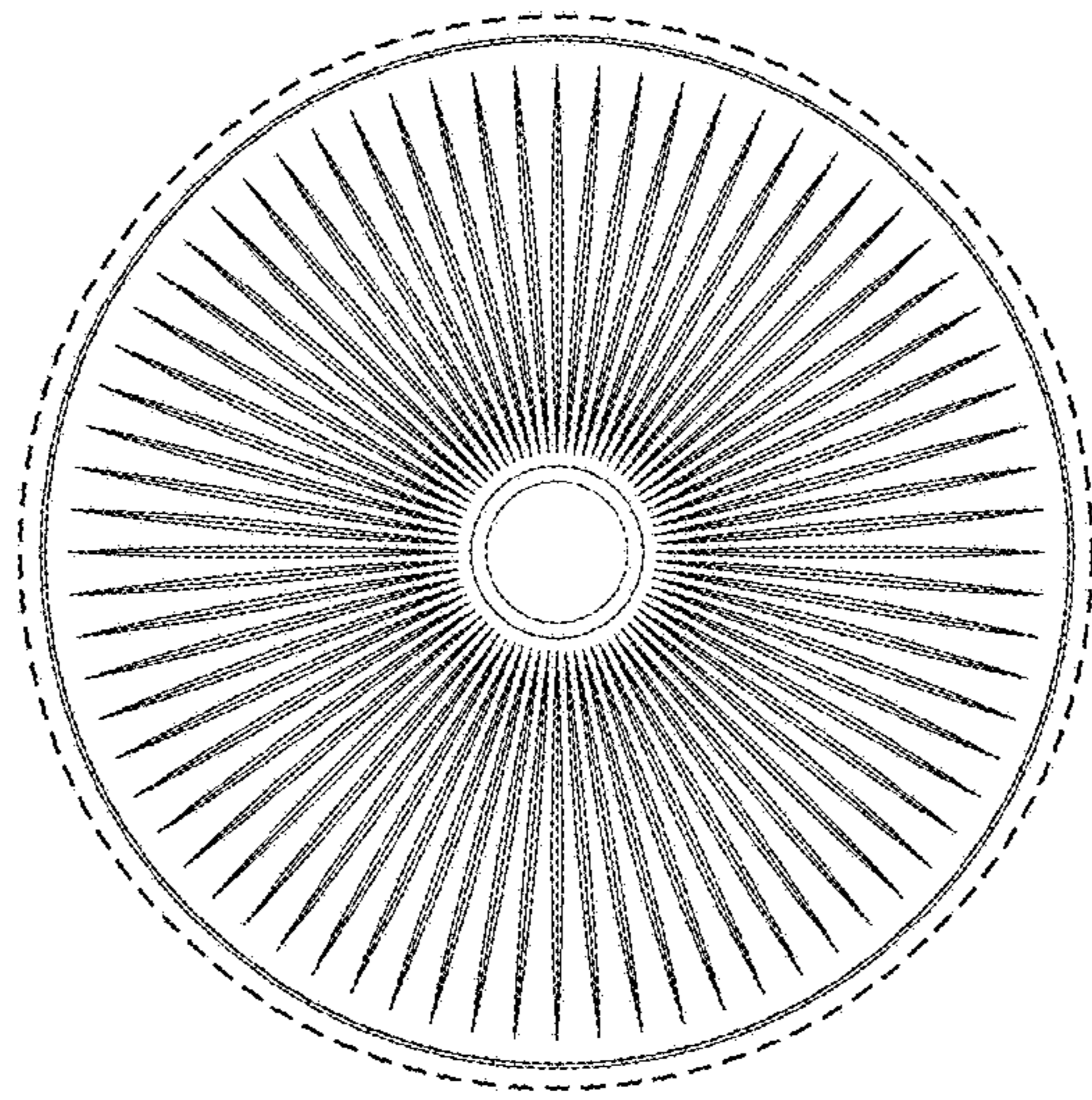


FIG. 1



**FIG. 2**

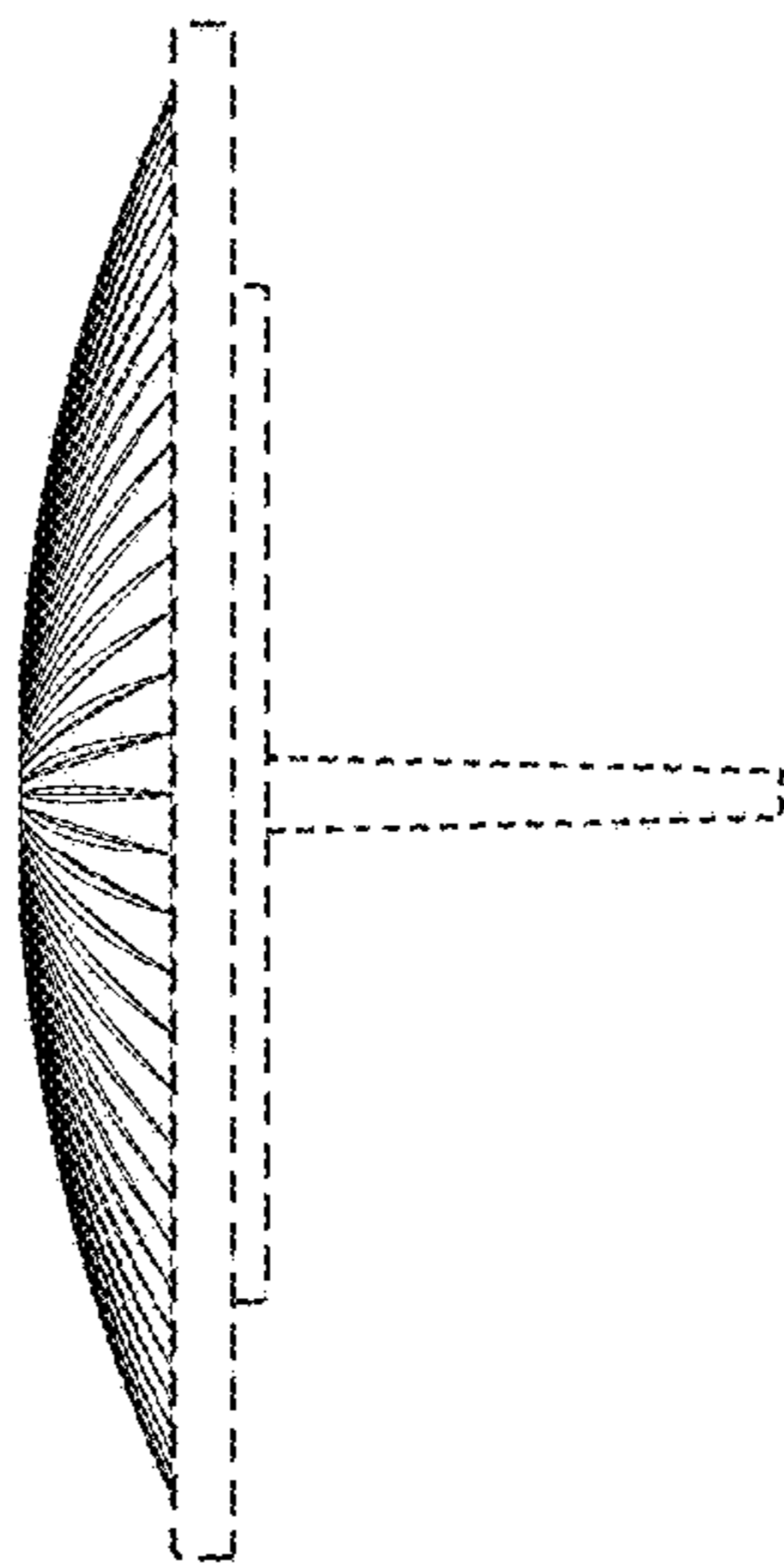


FIG. 3

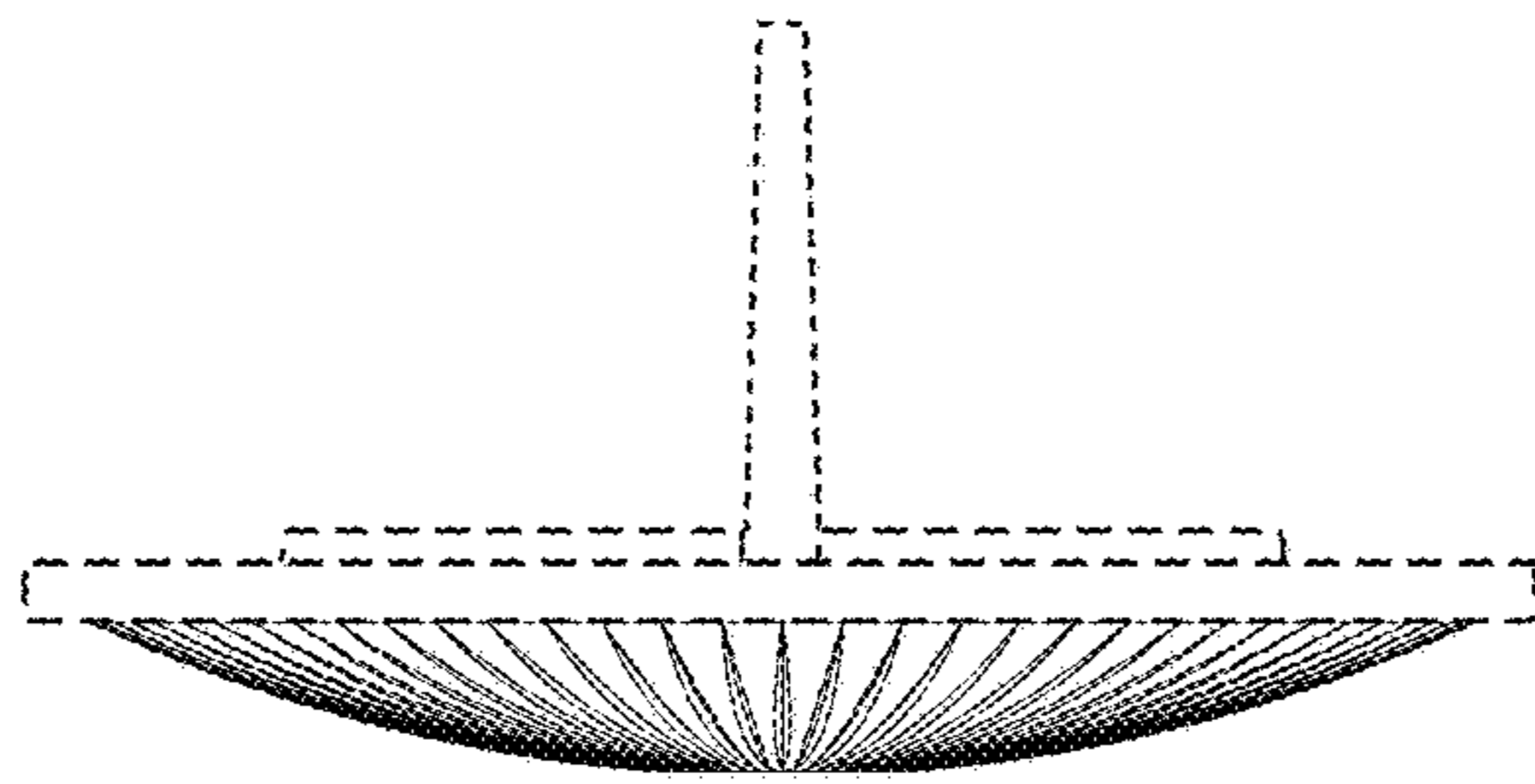


FIG. 4

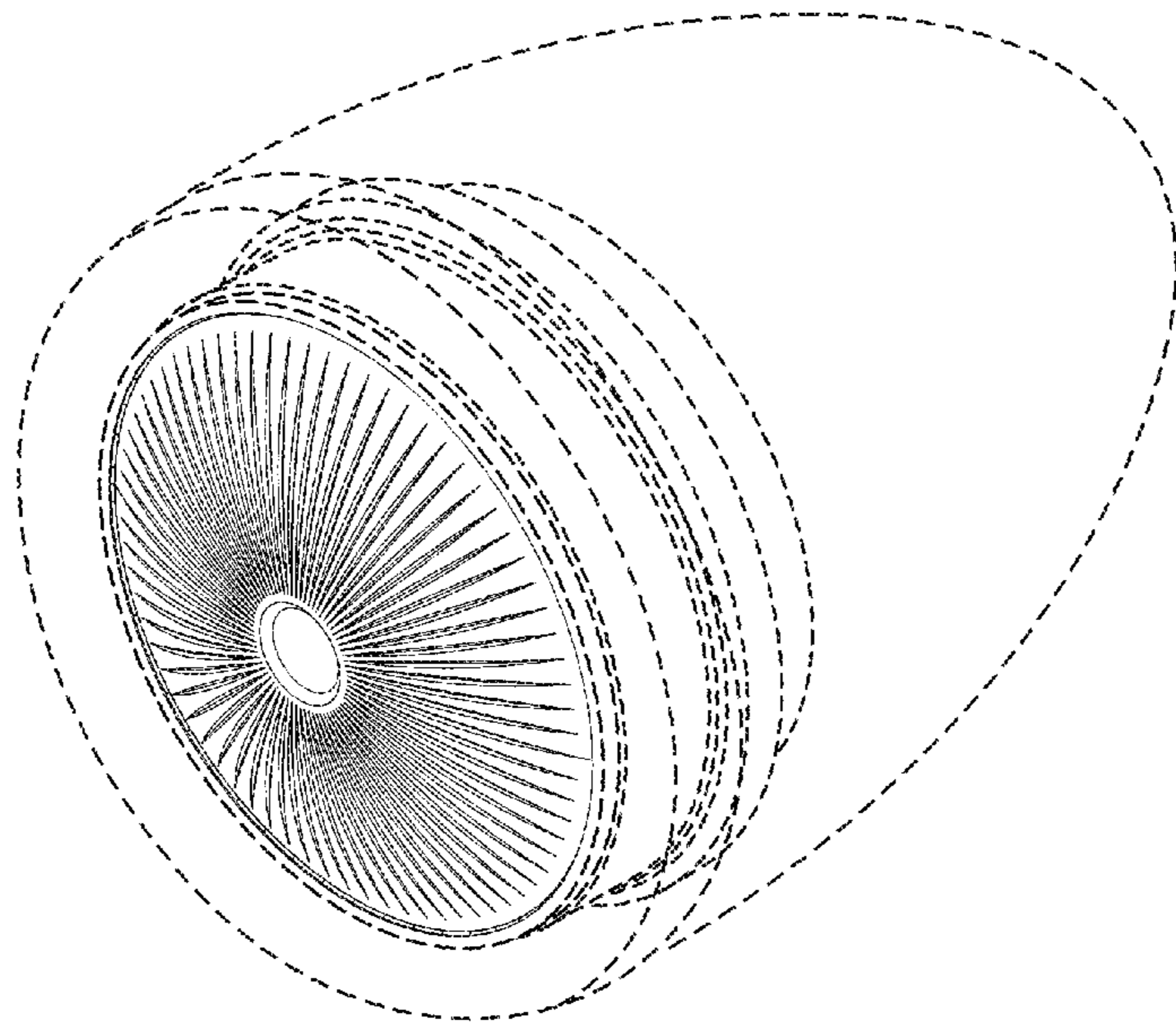


FIG. 5