



US00D851816S

(12) **United States Design Patent** (10) **Patent No.:** **US D851,816 S**
Roys et al. (45) **Date of Patent:** **** Jun. 18, 2019**

(54) **LAMP SUPPORT**

(71) Applicants: **Curtis A. Roys**, Fredericksburg, TX
(US); **Sidney Howard Norton**, Odessa,
TX (US)

(72) Inventors: **Curtis A. Roys**, Fredericksburg, TX
(US); **Sidney Howard Norton**, Odessa,
TX (US)

(**) Term: **15 Years**

(21) Appl. No.: **29/600,778**

(22) Filed: **Apr. 14, 2017**

(51) **LOC (11) Cl.** **26-05**

(52) **U.S. Cl.**
USPC **D26/138**

(58) **Field of Classification Search**
USPC D26/76, 78, 79, 80, 81, 82, 83, 85, 86,
D26/88, 90, 93, 111, 113, 118, 119, 120,
D26/121, 122, 138, 139, 140, 141, 142,
D26/152

CPC F21S 2/00; F21S 4/00; F21S 4/003; F21S
4/005; F21S 4/006; F21S 4/007; F21S
4/008; F21S 6/00; F21S 8/00; F21S
8/024; F21S 8/026; F21S 8/031; F21S
8/033; F21S 8/035-8/037; F21S 8/04;
F21S 8/043; F21S 8/063

See application file for complete search history.

(56) **References Cited**

U.S. PATENT DOCUMENTS

D321,765 S * 11/1991 Morse D26/138
D345,814 S * 4/1994 Wright, III D26/138
D354,365 S * 1/1995 Roos D26/63
D356,391 S * 3/1995 Sugiura D26/138
5,688,042 A 11/1997 Madadi et al.
D402,396 S * 12/1998 Protz, Jr. D26/138
D417,612 S * 12/1999 Jones D26/138

6,210,019 B1 4/2001 Weathers
D477,093 S 7/2003 Moriyama et al.
D482,489 S * 11/2003 Gary D26/138
D506,274 S 6/2005 Moriyama et al.
D535,780 S * 1/2007 Mier-Langner D26/155
D550,075 S * 9/2007 Tung D8/396
D560,847 S * 1/2008 Ladewig D26/141
D577,148 S * 9/2008 Snider D26/138
D584,429 S 1/2009 Pei et al.

(Continued)

FOREIGN PATENT DOCUMENTS

CN 202901882 U 4/2013
CN 202915096 U 5/2013

(Continued)

Primary Examiner — Natasha Vujcic
(74) *Attorney, Agent, or Firm* — Scheinberg &
Associates, PC; Michael O. Scheinberg

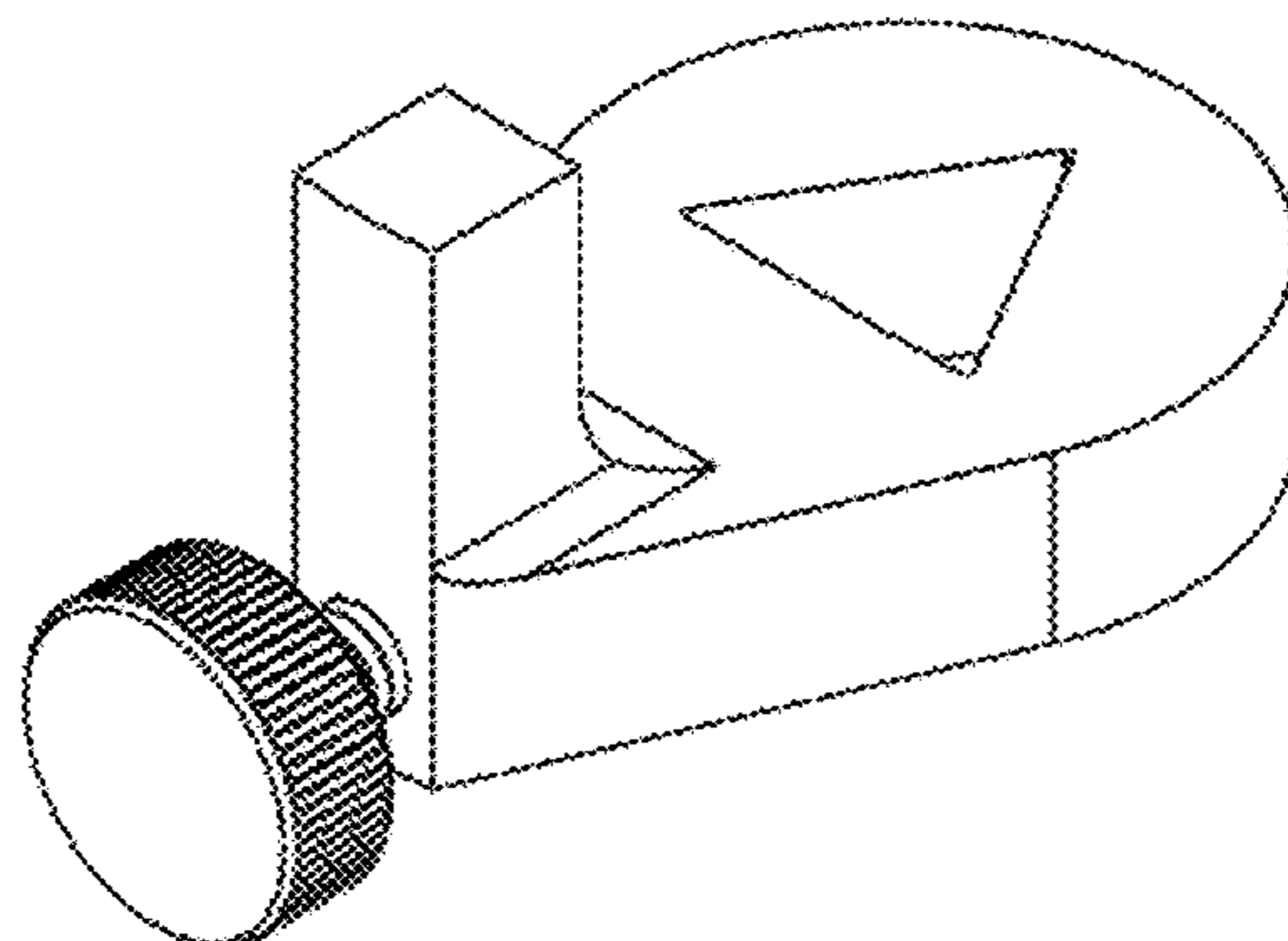
(57) **CLAIM**

I claim the ornamental design for a lamp support, as shown
and described.

DESCRIPTION

FIG. 1 is a perspective view of a lamp support showing my
new design;
FIG. 2 is a front elevation of lamp support of FIG. 1;
FIG. 3 is a rear elevation of the lamp support of FIG. 1;
FIG. 4 is a left side elevation of the lamp support of FIG. 1;
FIG. 5 is a right side elevation of the lamp support of FIG.
1;
FIG. 6 is top plan view of the lamp support of FIG. 1; and
FIG. 7 is a bottom plan view of the lamp support of FIG. 1;
and,
FIG. 8 shows the lamp support in use.
The broken lines in the drawings illustrate the environment
of the lamp support which form no part of the claimed
design.

1 Claim, 4 Drawing Sheets



(56)

References Cited

U.S. PATENT DOCUMENTS

D594,999	S	6/2009	Uchida et al.	
D599,498	S *	9/2009	Snider	D26/138
D601,726	S	10/2009	Mollaert et al.	
D610,724	S	2/2010	Chiang et al.	
7,976,196	B2	7/2011	Ivey et al.	
8,075,167	B2	12/2011	Shin	
8,232,713	B2	7/2012	Li et al.	
8,328,386	B2	12/2012	Catalano et al.	
D676,191	S *	2/2013	Barrett	D26/141
8,434,914	B2	5/2013	Li et al.	
8,573,813	B2	11/2013	Ivey et al.	
8,636,391	B2	1/2014	Dellian et al.	
D703,372	S *	4/2014	Martin	D26/138
D752,804	S *	3/2016	Williamson	D26/141
D771,305	S *	11/2016	Woller	D26/138
2004/0056600	A1	3/2004	Lapatovich et al.	
2010/0008065	A1	1/2010	Ivey et al.	
2011/0141729	A1	6/2011	Yang et al.	
2012/0008316	A1	1/2012	Ivey	
2012/0074831	A1	3/2012	Li et al.	
2012/0161666	A1	6/2012	Antony	
2013/0223052	A1	8/2013	Simon et al.	
2014/0153231	A1	6/2014	Bittmann	

2014/0301069	A1	10/2014	Hwu et al.
2015/0016099	A1	1/2015	Khanampornpan
2015/0092413	A1	4/2015	Li et al.
2015/0184838	A1	7/2015	Li et al.
2016/0018062	A1	1/2016	Zhang et al.
2017/0030530	A1	2/2017	Roys
2017/0051882	A1	2/2017	Engel et al.

FOREIGN PATENT DOCUMENTS

CN	103542273	A	1/2014
DE	102009023055	A1	12/2010
DE	102012211934	A1	1/2014
DE	102014214603	A1	1/2016
EP	3009732	A1	4/2016
JP	2012156056	A	8/2012
KR	1020130068957		6/2013
WO	2013082523	A1	6/2013
WO	2013104624	A1	7/2013
WO	2014048677	A1	4/2014
WO	201402361	A1	12/2014
WO	2015120929	A1	8/2015
WO	2016012124	A1	1/2016
WO	2016012189	A1	1/2016
WO	2017019644	A1	2/2017

* cited by examiner

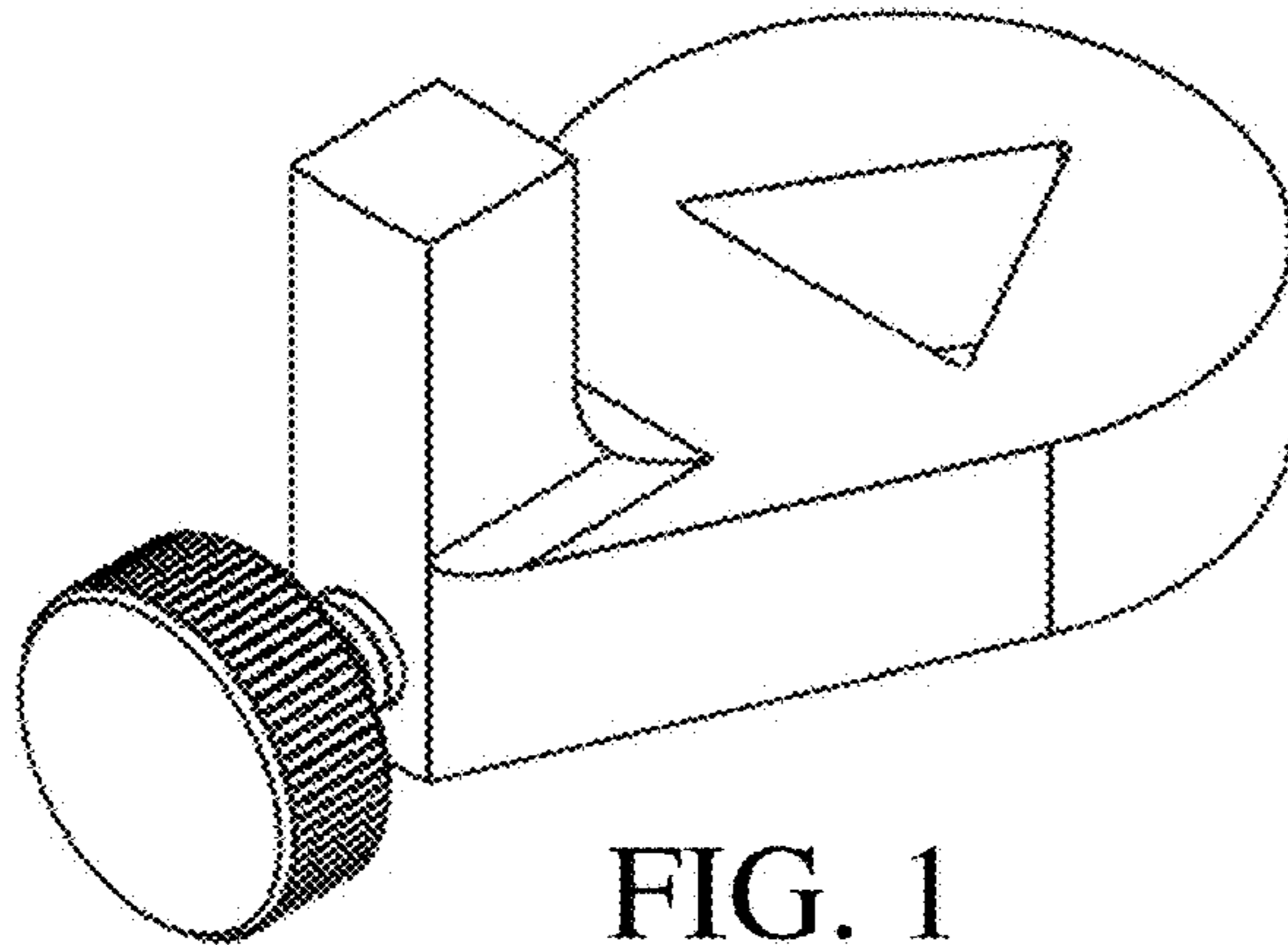


FIG. 1

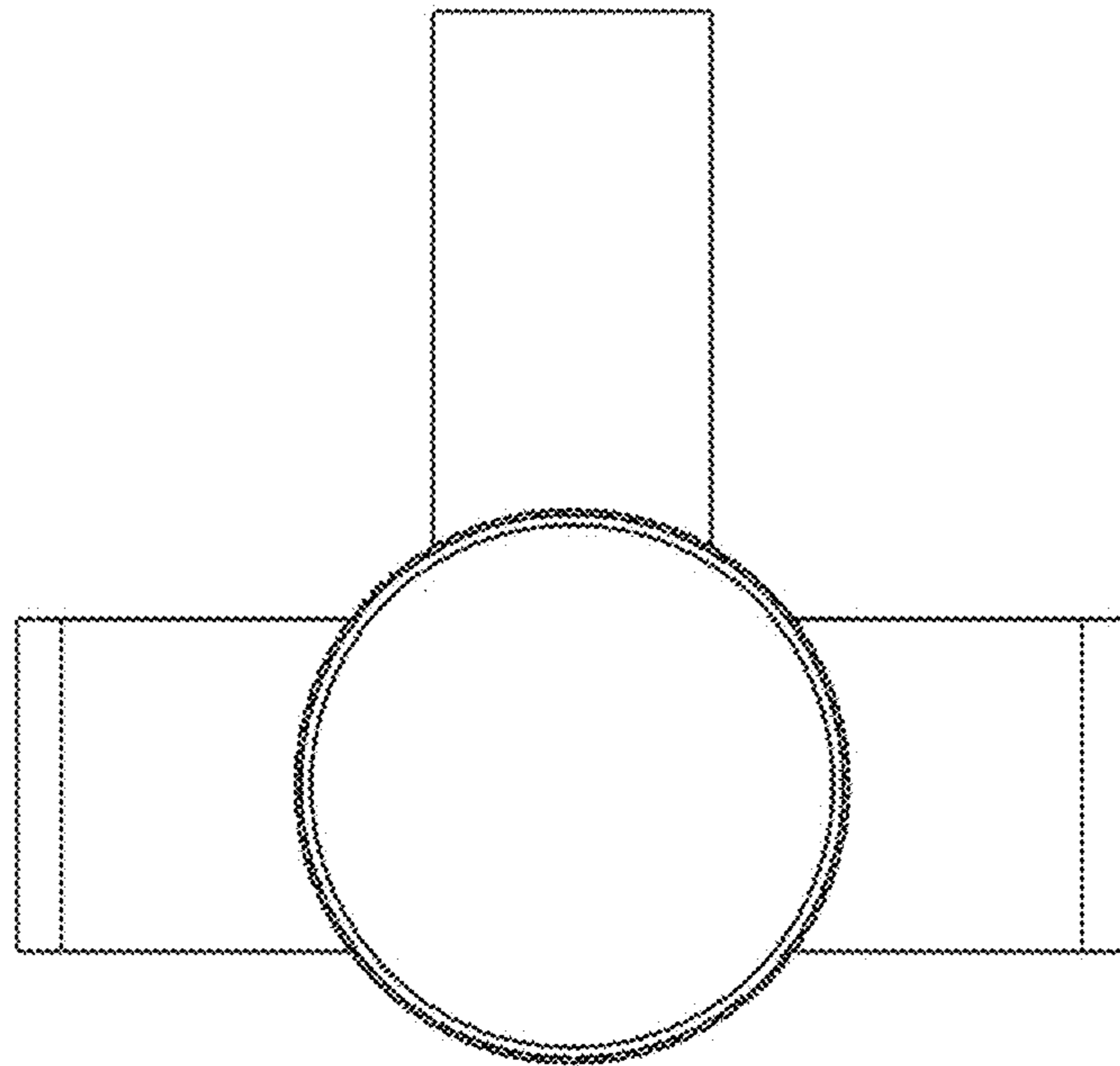


FIG. 2

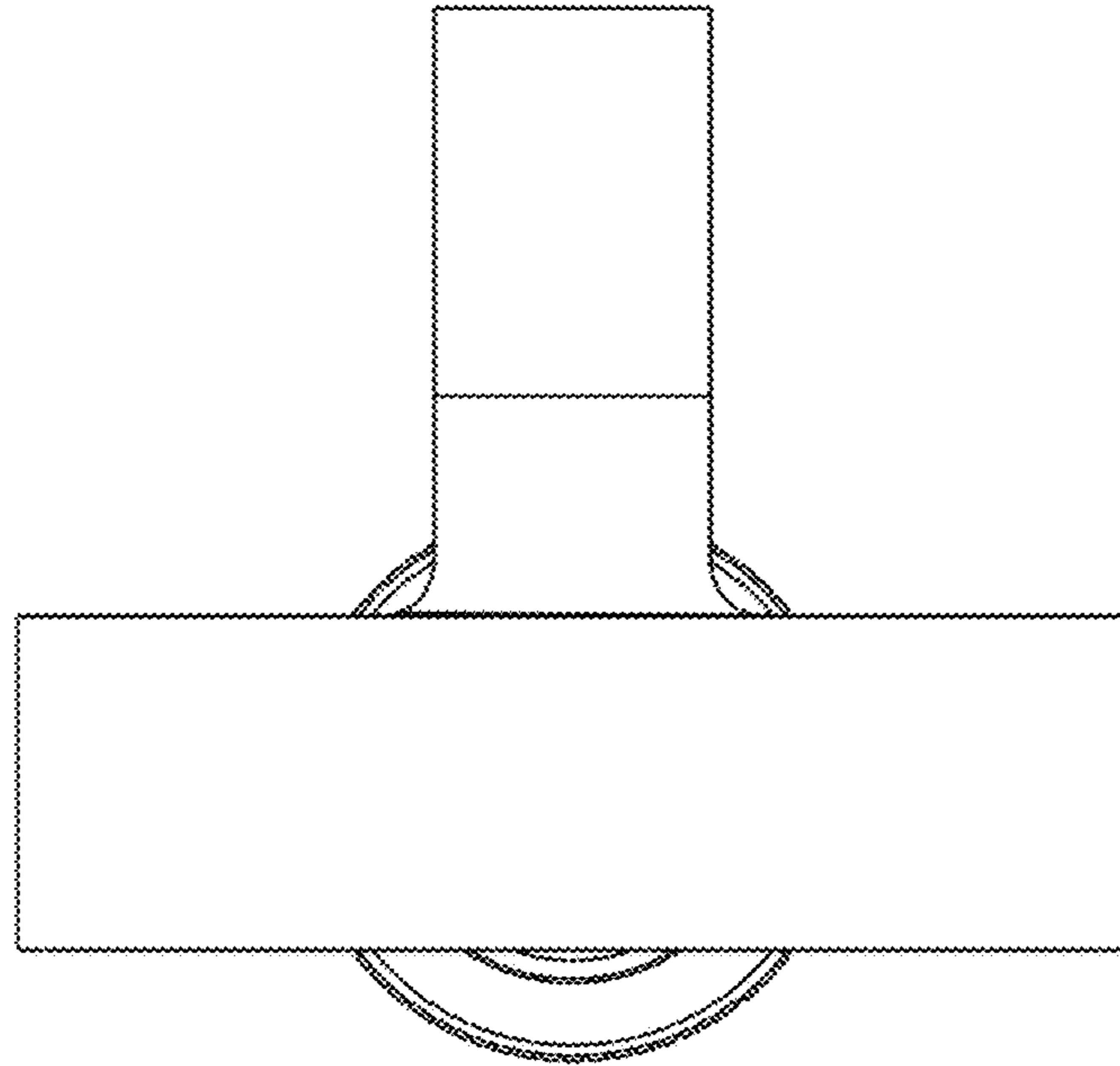


FIG. 3

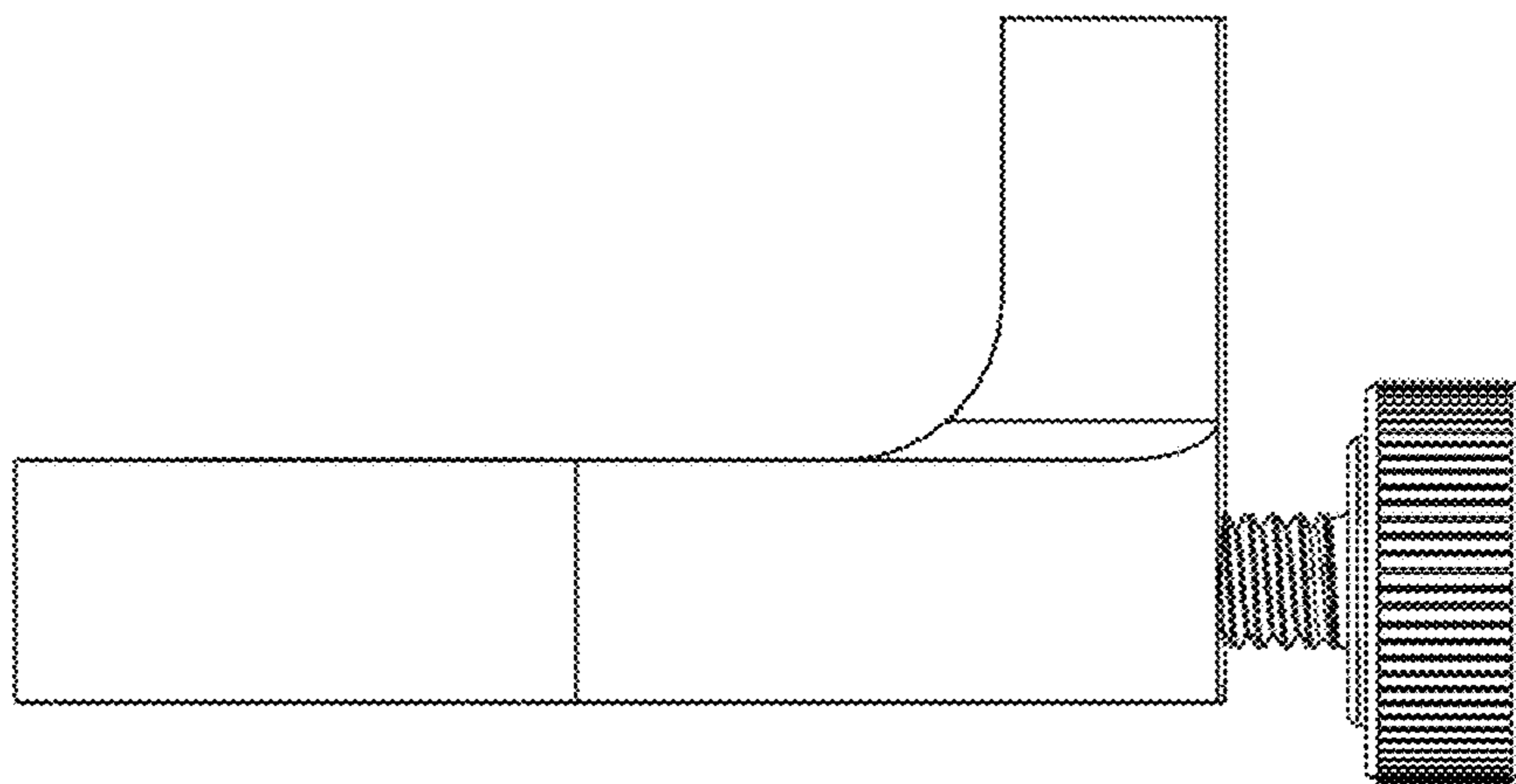


FIG. 4

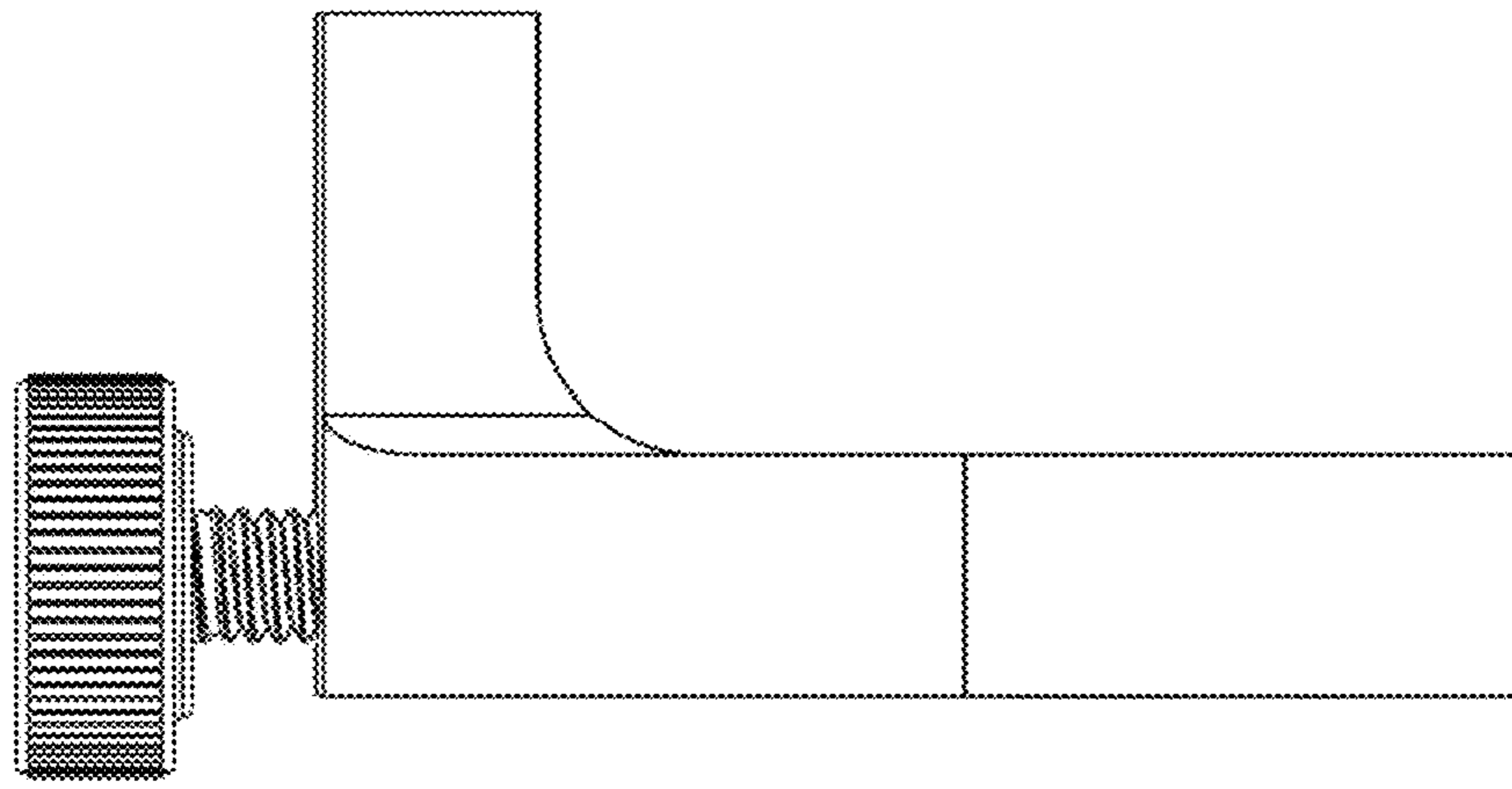


FIG. 5

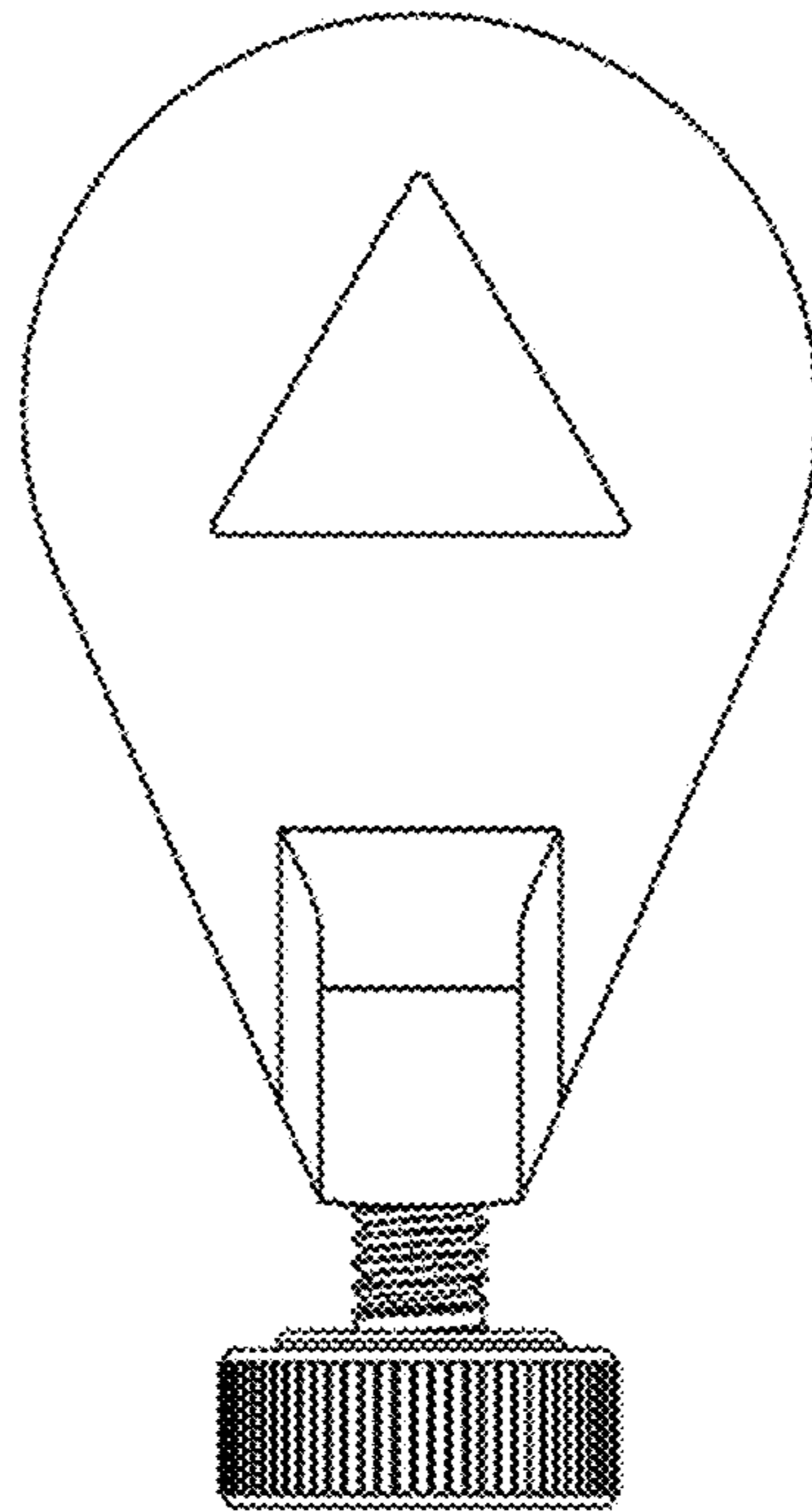


FIG. 6

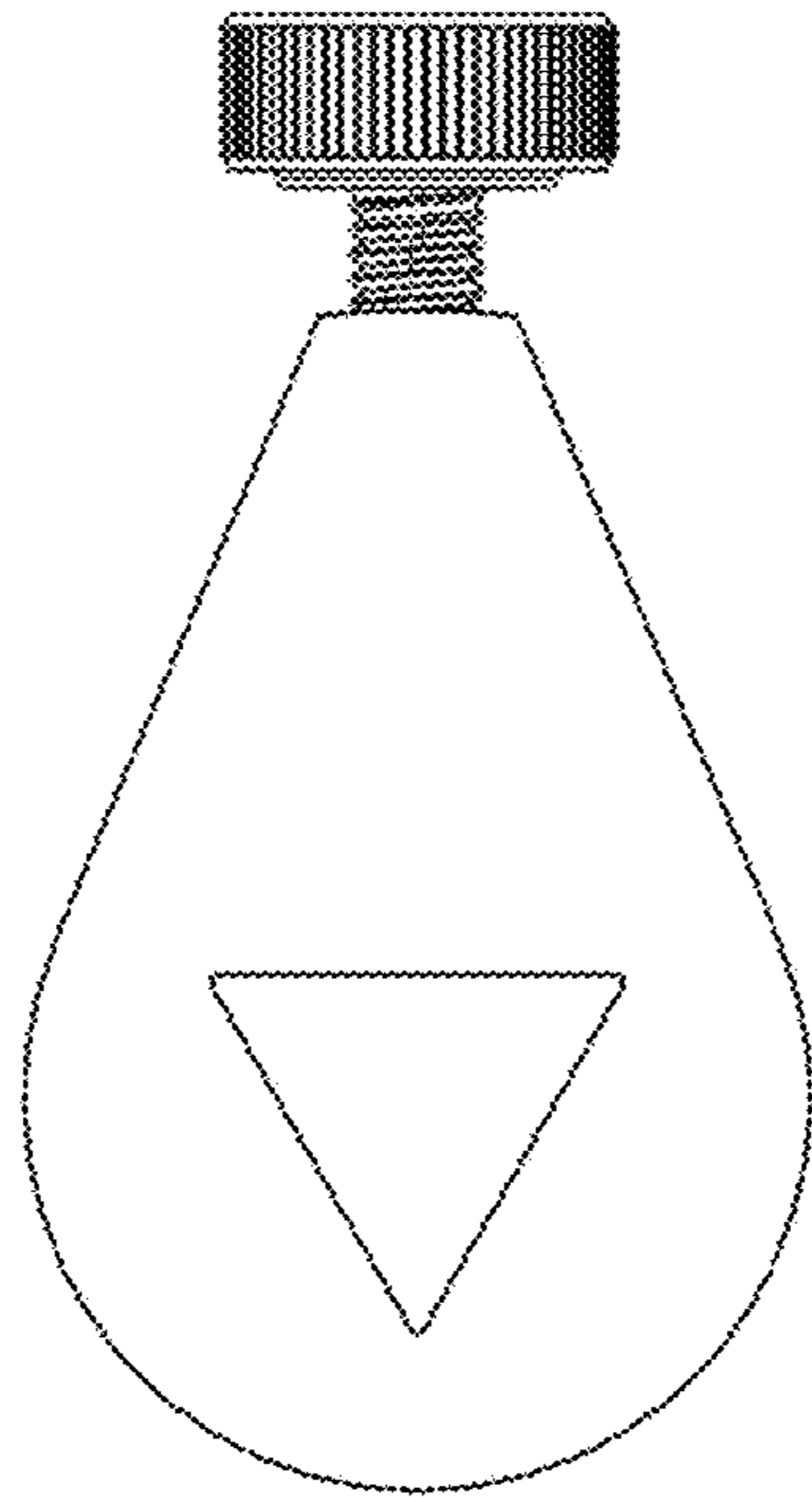


FIG. 7

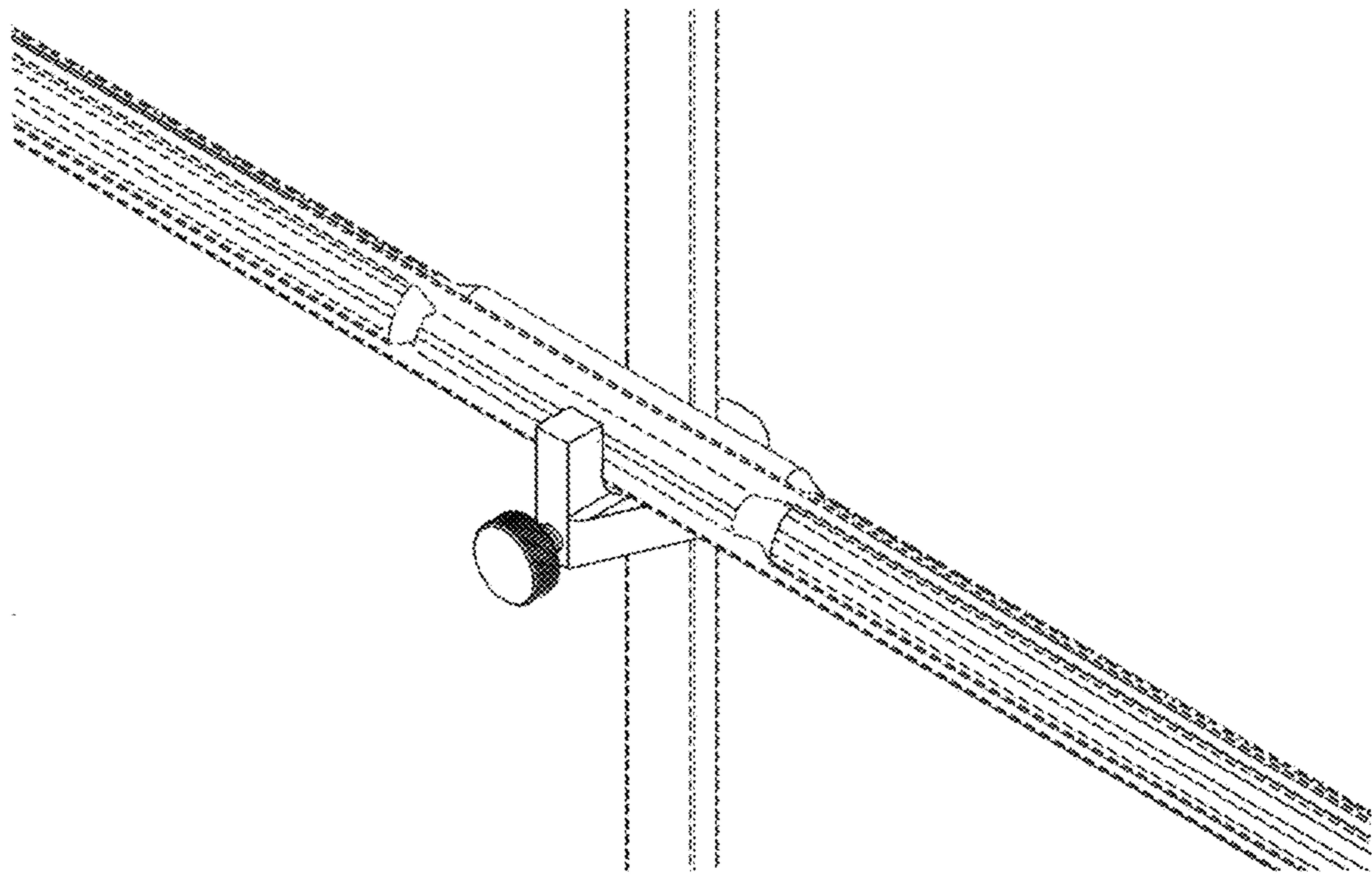


FIG. 8