



US00D851814S

(12) **United States Design Patent**
Stanley

(10) **Patent No.:** **US D851,814 S**

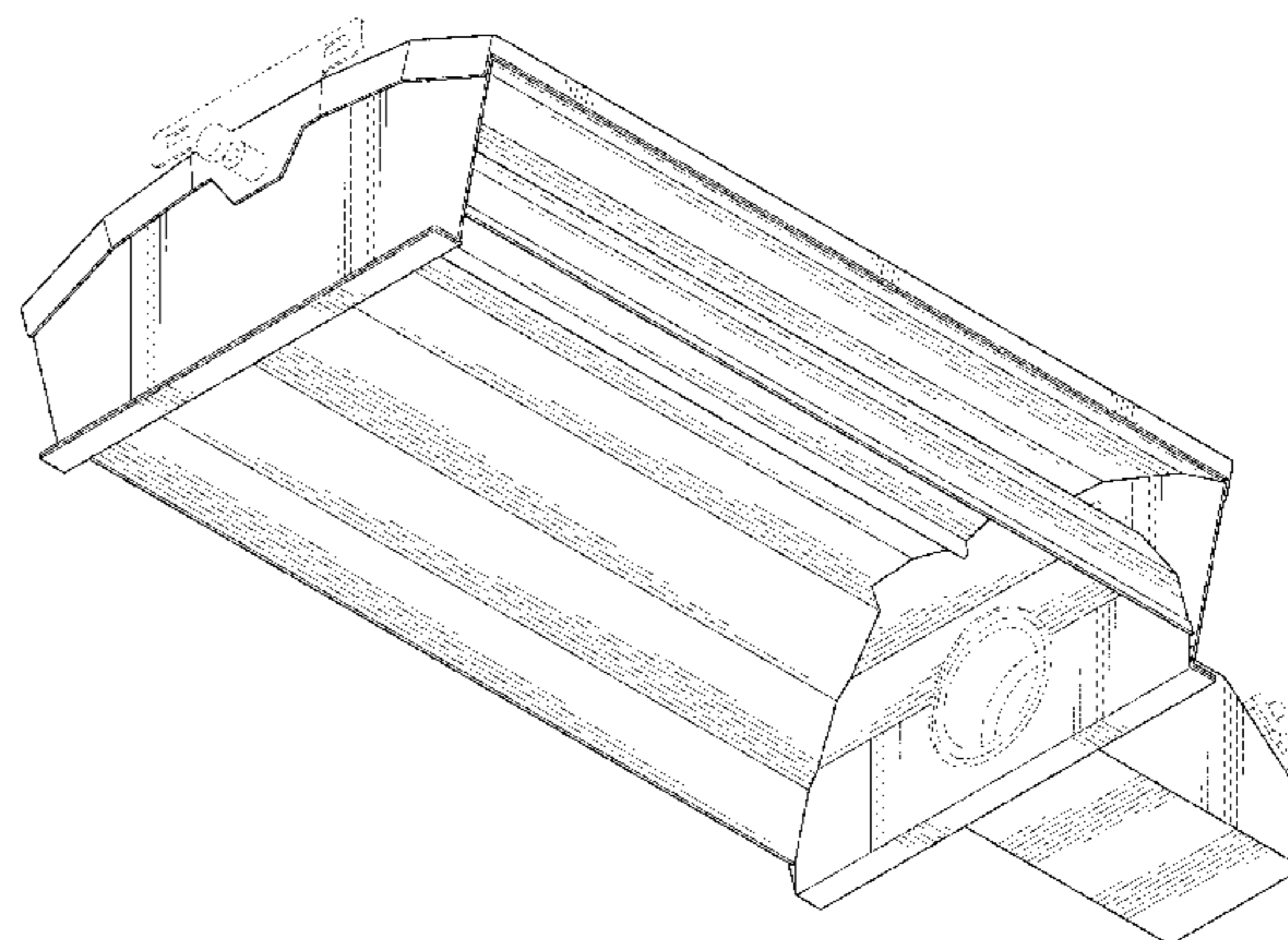
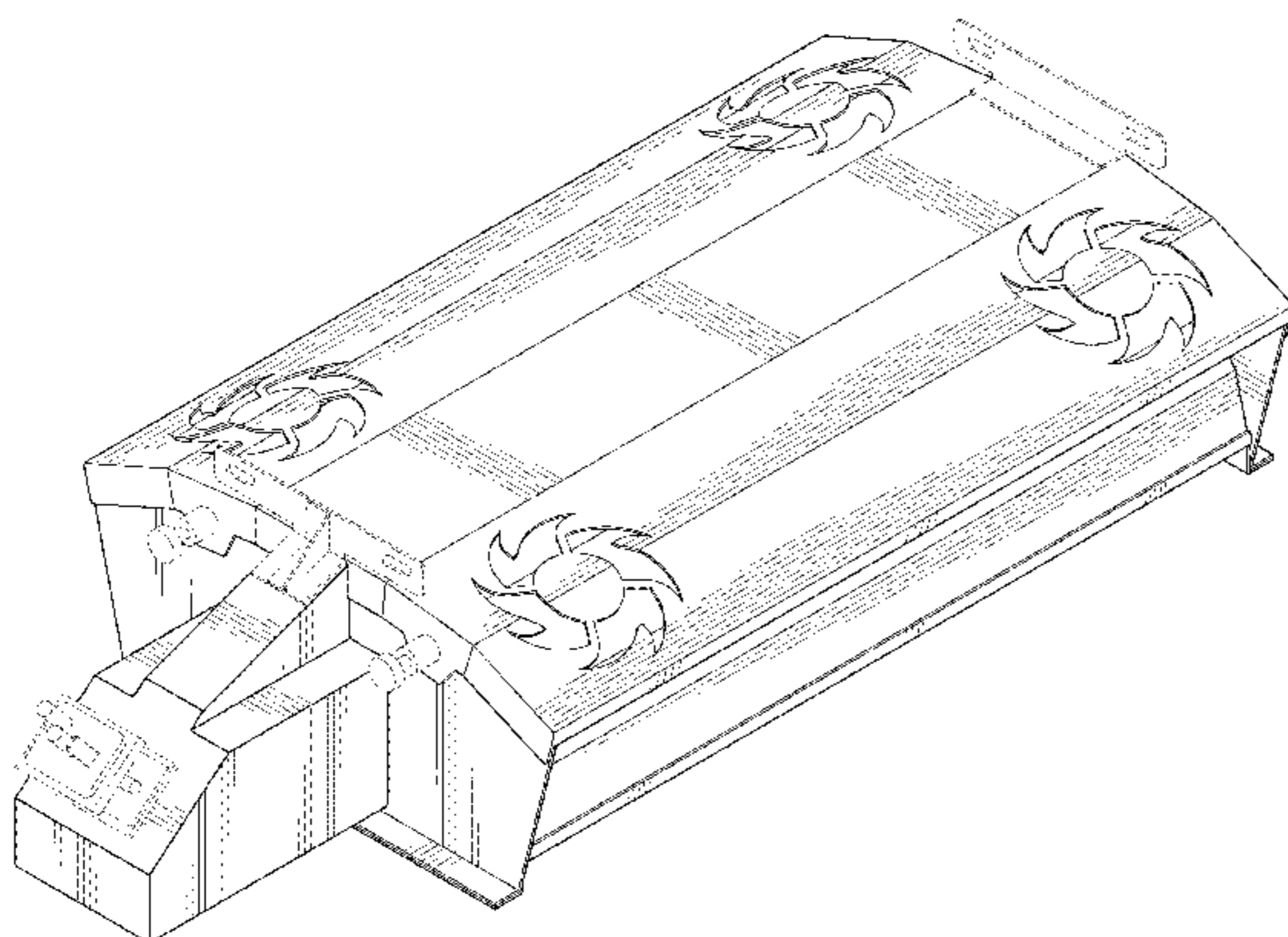
(45) **Date of Patent:** **** *Jun. 18, 2019**

- (54) **HORTICULTURE GROW LIGHT**
- (71) Applicant: **HGCI, Inc.**, Las Vegas, NV (US)
- (72) Inventor: **John Stanley**, Vancouver, WA (US)
- (73) Assignee: **HGCI, Inc.**, Las Vegas, NV (US)
- (*) Notice: This patent is subject to a terminal disclaimer.
- (**) Term: **15 Years**
- (21) Appl. No.: **29/623,116**
- (22) Filed: **Oct. 23, 2017**
- (51) **LOC (11) Cl.** **26-99**
- (52) **U.S. Cl.**
USPC **D26/118**
- (58) **Field of Classification Search**
USPC ... D26/9, 10, 12, 13, 15, 16, 24, 51, 61, 72,
D26/76, 80, 81, 85, 86, 88, 90, 113, 118,
D26/119, 120, 122, 128, 129, 138, 143,
D26/144
CPC B60Q 1/04; B60Q 1/26; F21S 8/026; F21S
8/04; F21V 21/02; F21V 29/004; F21V
21/04; F21V 29/2212; F21V 7/22; F21V
29/83; F21V 37/002; F21V 7/00; F21L
19/00; F23D 11/443; F21Y 2101/02;
A61L 9/037
See application file for complete search history.

4,363,371 A	12/1982	Hutchinson	
D268,287 S	3/1983	Boschetti	
4,531,180 A	7/1985	Hernandez	
4,779,178 A	10/1988	Spitz	
4,814,954 A	3/1989	Spitz	
4,933,821 A	6/1990	Anderson	
D311,597 S	10/1990	Poot	
D323,897 S	2/1992	Compton	
5,253,152 A	10/1993	Yang	
D352,126 S	11/1994	Ruud	
D377,234 S	1/1997	Roberts	
D413,176 S	8/1999	Mier-Langer	
6,053,624 A	4/2000	Cronk	
D428,516 S	7/2000	Reo	
D447,272 S	8/2001	Smith	
D456,938 S	5/2002	Wardenburg	
D459,825 S	7/2002	Field	
D465,049 S	10/2002	Ludwig	
D469,564 S	1/2003	Brok	
6,527,422 B1	3/2003	Hutchinson	
6,595,662 B2	7/2003	Wardenburg	
6,988,816 B2	1/2006	Witkowski	
D542,460 S	5/2007	Hargreaves	
D543,652 S	5/2007	Hargreaves	
D543,654 S	5/2007	Hargreaves	
D544,131 S	6/2007	Blackman	
D544,139 S	6/2007	Hargreaves	
D544,626 S	6/2007	Hargreaves	
D544,983 S	6/2007	Hargreaves	
D544,984 S	6/2007	Hargreaves	
D544,985 S	6/2007	Hargreaves	
D544,987 S	6/2007	Hargreaves	
D544,995 S	6/2007	Hargreaves	
D545,484 S *	6/2007	Hargreaves D26/118
D545,485 S	6/2007	Hargreaves	
D586,030 S	2/2009	Genova	
7,524,090 B2	4/2009	Hargreaves	
7,534,011 B2	5/2009	Townsley	
D613,900 S	4/2010	Hargreaves	
D614,801 S	4/2010	Collins	
7,722,208 B1	5/2010	Dupre	
7,722,228 B2	5/2010	Broer	
D633,640 S	3/2011	Wauters	
D634,468 S	3/2011	Hargreaves	
D634,469 S	3/2011	Hargreaves	
D634,060 S	5/2011	Wardenburg	
D637,162 S	5/2011	Bridgman	
D637,752 S	5/2011	Mehrtarian	
7,959,331 B2	6/2011	Ho	
7,972,044 B2	7/2011	Burkhauser	
D661,833 S	6/2012	Imajo	
8,209,912 B2	7/2012	Hargreaves	
D669,204 S	10/2012	Snell	

(56) **References Cited**
U.S. PATENT DOCUMENTS

D106,614 S	10/1937	Waterbury
D123,768 S	12/1940	Scribner
D132,786 S	6/1942	Netting
D133,216 S	7/1942	Parlato
D135,375 S	3/1943	Biller
2,339,100 A	1/1944	Netting
D143,061 S	12/1945	Creed
D156,014 S	11/1949	Lazerson
2,740,883 A	4/1956	Kruger
2,740,885 A	4/1956	Kruger
3,272,978 A	9/1966	Jackson



D670,850	S	11/2012	Helenowski	
D672,911	S	12/2012	Mayfield	
D675,369	S	1/2013	Michaud	
8,348,481	B2	1/2013	Chang	
D676,185	S	2/2013	Piepgras	
D678,599	S	3/2013	Boyer	
D683,064	S	5/2013	Tuck	
D693,959	S	11/2013	Boyer	
D698,986	S	2/2014	Reynolds	
D698,987	S	2/2014	Stanley	
8,905,575	B2	12/2014	Durkee	
D725,819	S	3/2015	Reynolds	
8,998,473	B1	4/2015	Anderson	
9,010,970	B2	4/2015	Guercio	
9,016,907	B2	4/2015	Stanley	
D731,701	S	6/2015	Hargreaves	
D732,233	S	6/2015	Reynolds	
D732,235	S	6/2015	Reynolds	
D732,236	S	6/2015	Reynolds	
D736,450	S	8/2015	Reynolds	
D737,134	S	8/2015	Thompson	
D737,498	S	8/2015	Stanley	
9,100,209	B2	8/2015	Steindl	
D739,595	S	9/2015	Reynolds	
D740,486	S	10/2015	Stanley	
D747,029	S	1/2016	Reynolds	
D748,849	S	2/2016	Stanley	
D750,312	S	2/2016	Reynolds	
D750,316	S	2/2016	Reynolds	
D751,244	S *	3/2016	Reynolds	D26/118
D751,247	S	3/2016	Reynolds	
9,279,550	B2	3/2016	Torabifard	
D757,323	S	5/2016	Reynolds	
D762,320	S	7/2016	Reynolds	
D765,306	S	8/2016	Wardenburg	
D767,193	S	9/2016	Jung	
9,453,639	B2	9/2016	Mandy	
D769,514	S	10/2016	Reynolds	
D770,670	S	11/2016	Reynolds	
D770,671	S	11/2016	Reynolds	
D775,405	S *	12/2016	Stanley	D26/118
D779,703	S	2/2017	Stanley	
D783,888	S *	4/2017	Reynolds	D26/118
D797,351	S *	9/2017	Stanley	D26/118
D797,352	S	9/2017	Stanley	
D822,883	S *	7/2018	Stanley	D26/118
D825,096	S *	8/2018	Reynolds	D26/118
2001/0023173	A1	9/2001	Schiedegger	
2002/0141195	A1	10/2002	Wardenburg	
2008/0205030	A1	8/2008	Hargreaves	
2008/0205071	A1	8/2008	Townsley	
2008/0219008	A1	9/2008	Schaefer	
2008/0278950	A1	11/2008	Pickard	
2009/0262540	A1	10/2009	Hargreaves	
2009/0262543	A1	10/2009	Ho	
2009/0310373	A1	12/2009	Burkhauser	
2009/0323335	A1	12/2009	Yang	
2012/0051041	A1	3/2012	Edmond	
2013/0083539	A1	4/2013	Dimitriadis	
2015/0082692	A1	3/2015	Wardenburg	
2015/0252993	A1	9/2015	Stanley	

FOREIGN PATENT DOCUMENTS

CN	ZL 201430166983.7	4/2015
CN	ZL 201530131007.2	7/2015

OTHER PUBLICATIONS

Horticultural Lights, image post date Jul. 7, 2014, site visited Sep. 30, 2015 (online), <<http://web.archive.org/web/20140707223459/http://www.kindgreenbuds.com/cannabis-grow-bible/best-lighting-systems/>>.

Horticultural Lighting, image post date Sep. 2008, site visted Sep. 30, 2015, (online), <<http://www.dendroboard.com/forum/sponsor-classifieds/104681-grow-your-own-plants-horticulture-neherp.html>>. Steel S Section, image post date Aug. 30, 2000, site visted Sep. 30, 2015 (online), <<http://web.archive.org/web/20000830093120/http://www.efunda.com/math/areas/RolledSteelBeamsS.cfm>>.

* cited by examiner

Primary Examiner — Brian N. Vinson

(74) Attorney, Agent, or Firm — J. Douglas Wells

(57) CLAIM

The ornamental design for a horticulture grow light, as shown and described.

DESCRIPTION

FIG. 1 is a perspective view of a horticulture grow light, as viewed from below, showing my new design; FIG. 2 is a perspective view of the light shown in FIG. 1, as viewed from above; FIG. 3 is a left side view of the light shown in FIG. 1; FIG. 4 is a right side view of the light shown in FIG. 1; FIG. 5 is a front elevation view of the light shown in FIG. 1; FIG. 6 is a rear elevation view of the light shown in FIG. 1; FIG. 7 is a bottom plan view of the light shown in FIG. 1; FIG. 8 is a top plan view of the light shown in FIG. 1; FIG. 9 is a perspective view thereof, as viewed from below, with its lower reflective surfaces removed for clarity of illustration; FIG. 10 is a perspective view of the light shown in FIG. 9, as viewed from above; FIG. 11 is a left side view of the light shown in FIG. 9; FIG. 12 is a right side view of the light shown in FIG. 9; FIG. 13 is a front elevation view of the light shown in FIG. 9; FIG. 14 is a rear elevation view of the light shown in FIG. 9; FIG. 15 is a bottom plan view of the light shown in FIG. 9; FIG. 16 is a top plan view of the light shown in FIG. 9; FIG. 17 is a perspective view thereof, as viewed from below, with its upper light socket enclosure removed for clarity of illustration; FIG. 18 is a perspective view of the light shown in FIG. 17, as viewed from above; FIG. 19 is a left side view of the light shown in FIG. 17; FIG. 20 is a right side view of the light shown in FIG. 17; FIG. 21 is a front elevation view of the light shown in FIG. 17; FIG. 22 is a rear elevation view of the light shown in FIG. 17; FIG. 23 is a bottom plan view of the light shown in FIG. 17; and, FIG. 24 is a top plan view of the light shown in FIG. 17. The broken-line disclosure shown in the views is understood to represent portions of the article in which the claimed design is embodied, but which form no part of the claimed design.

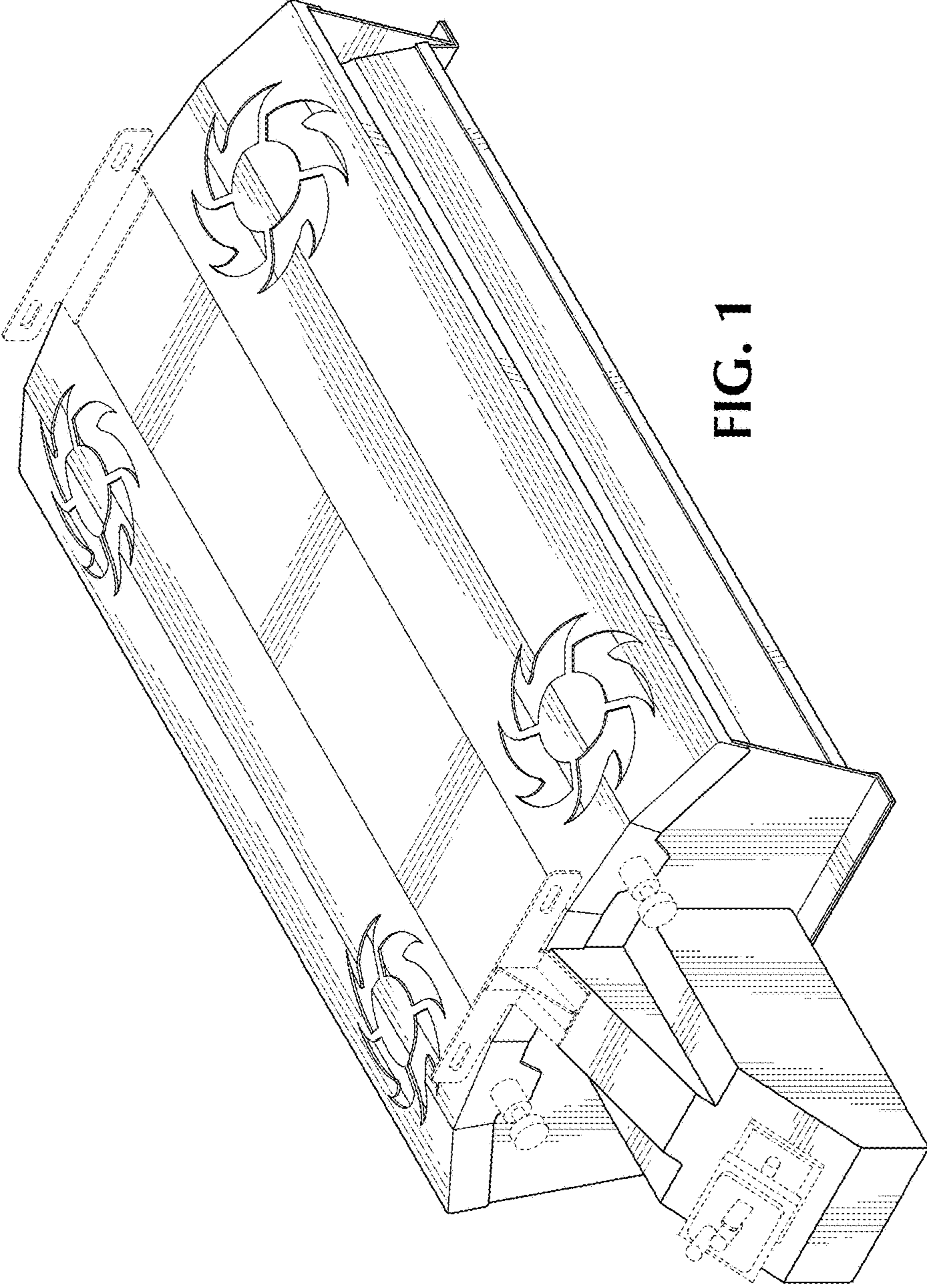


FIG. 1

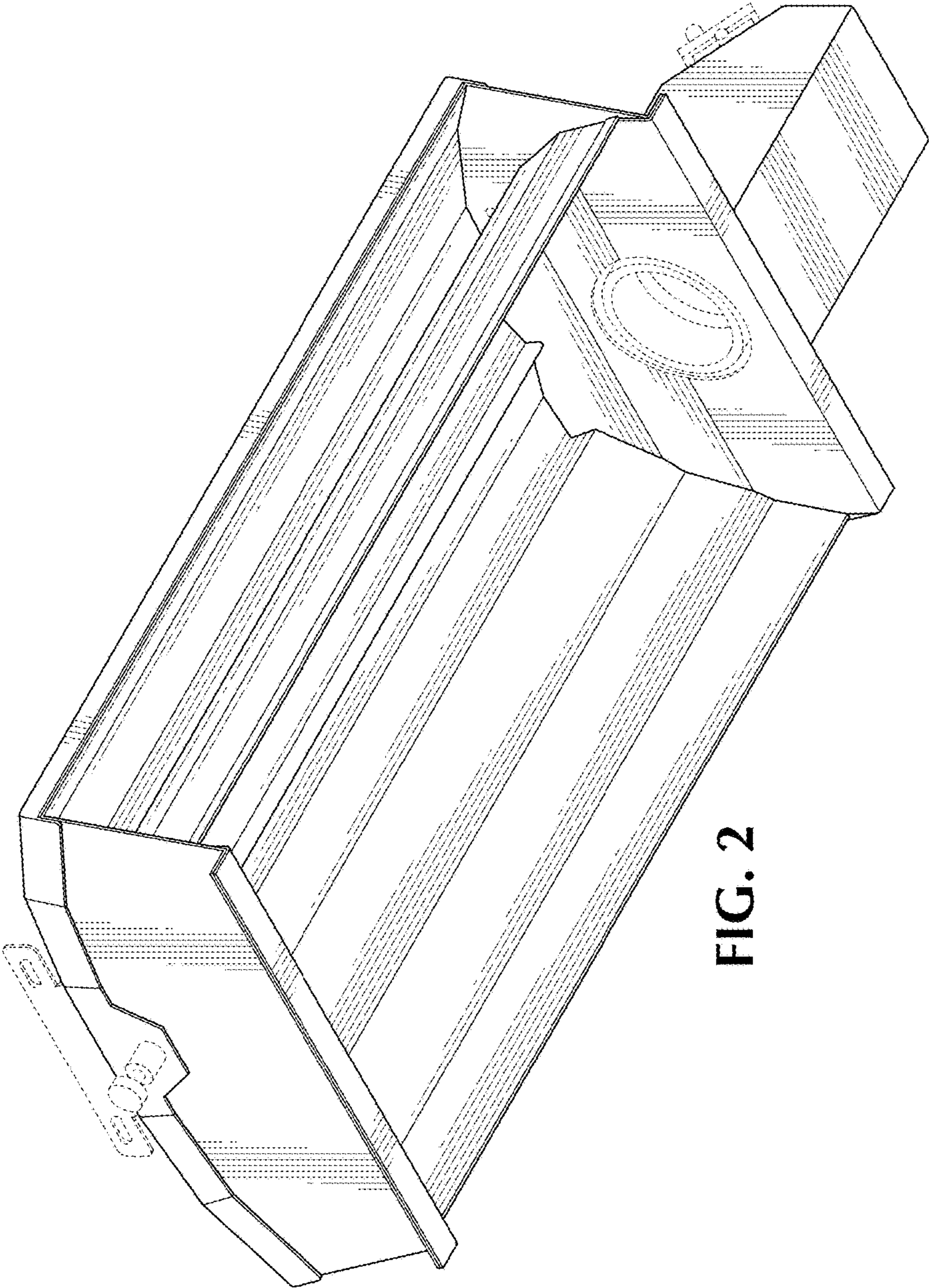


FIG. 2

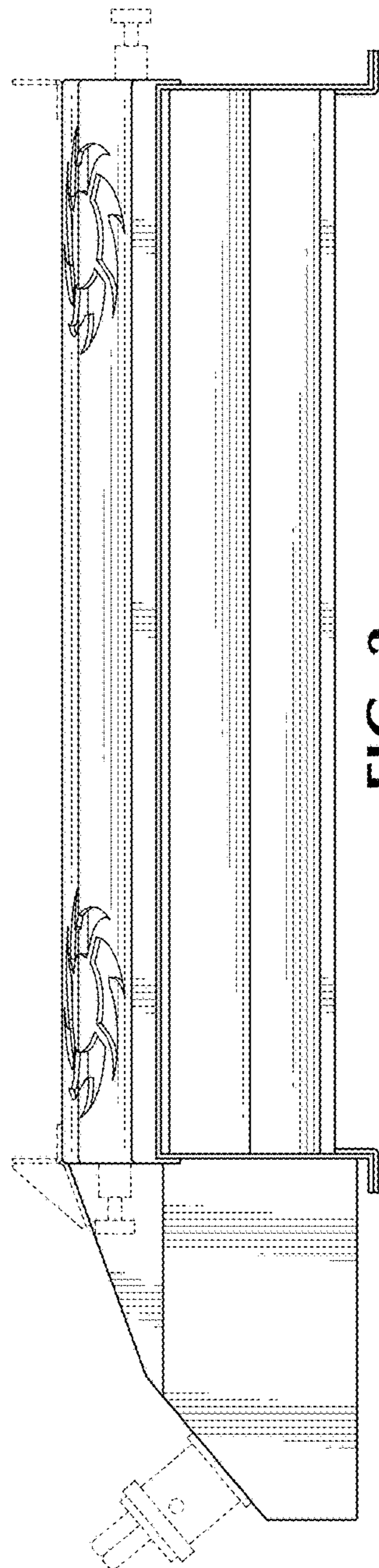


FIG. 3

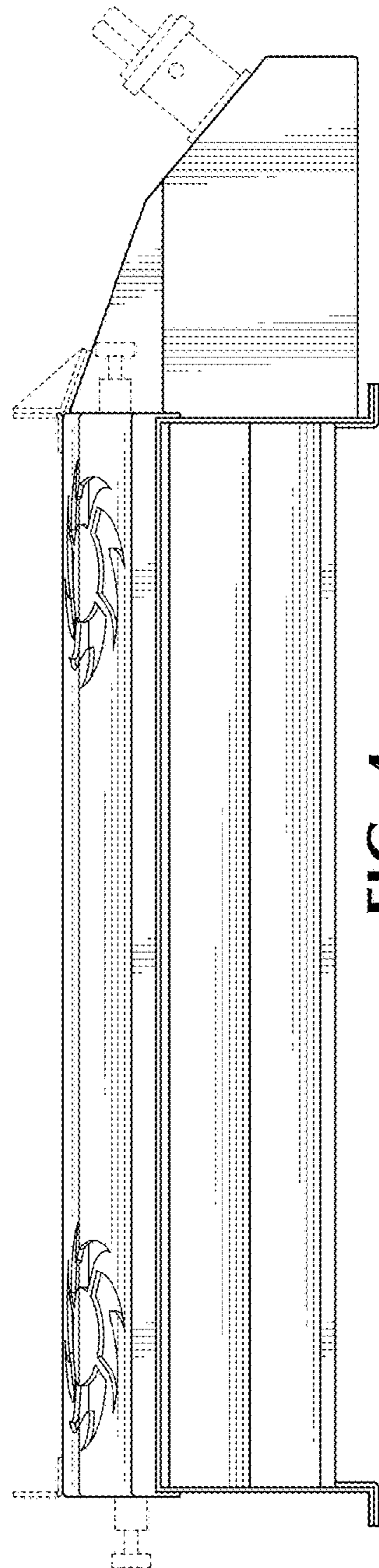


FIG. 4

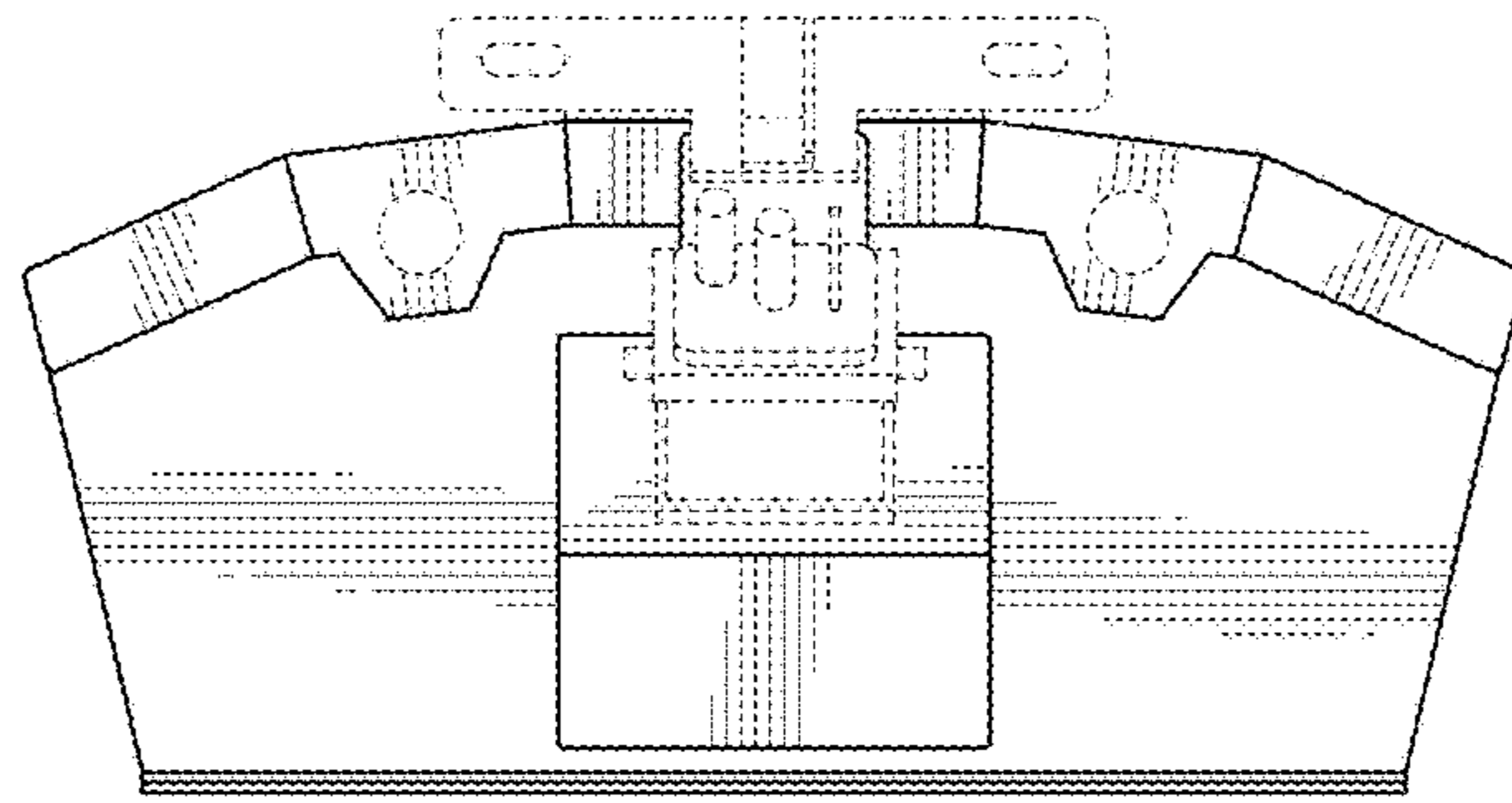


FIG. 5

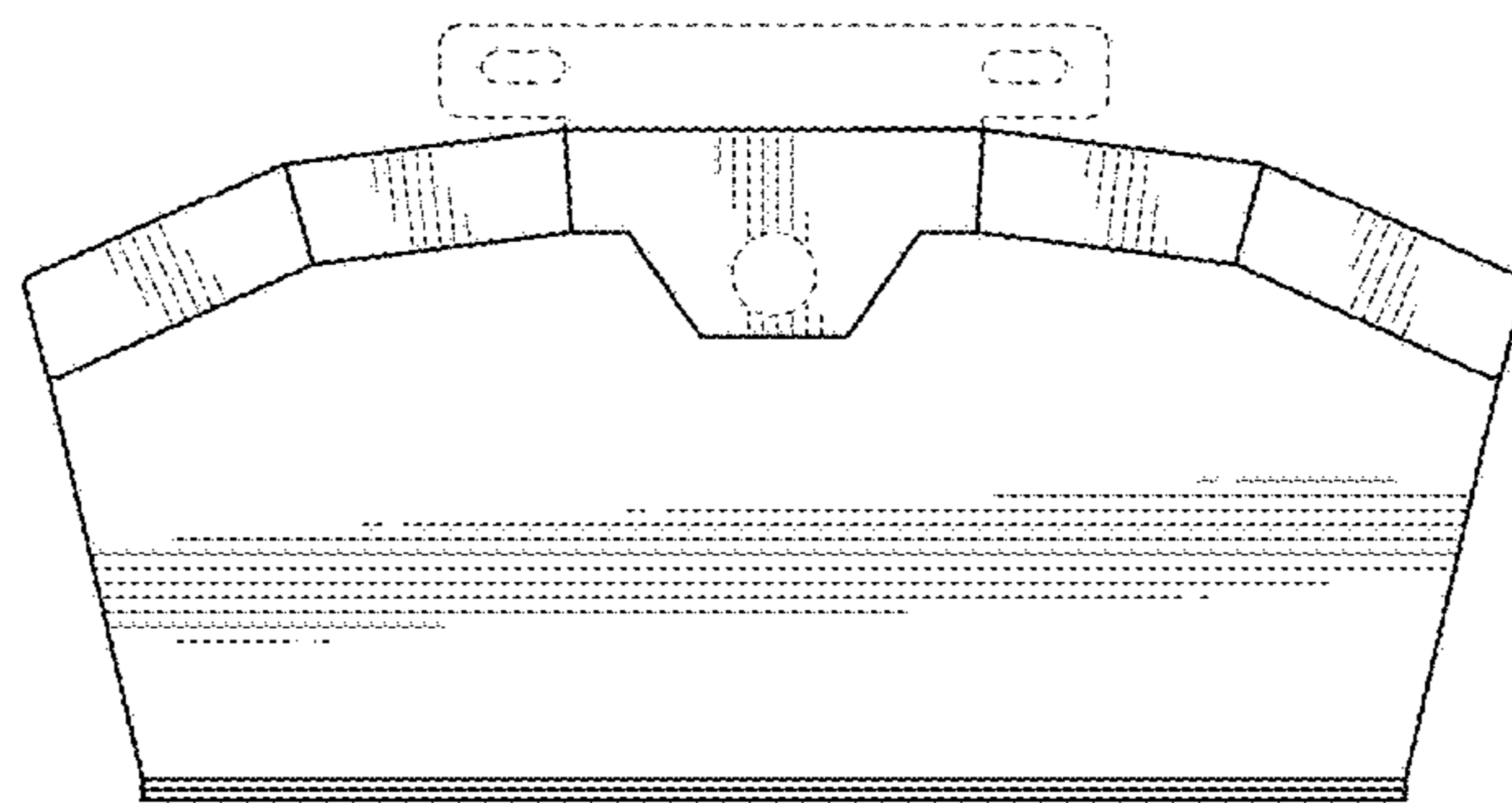


FIG. 6

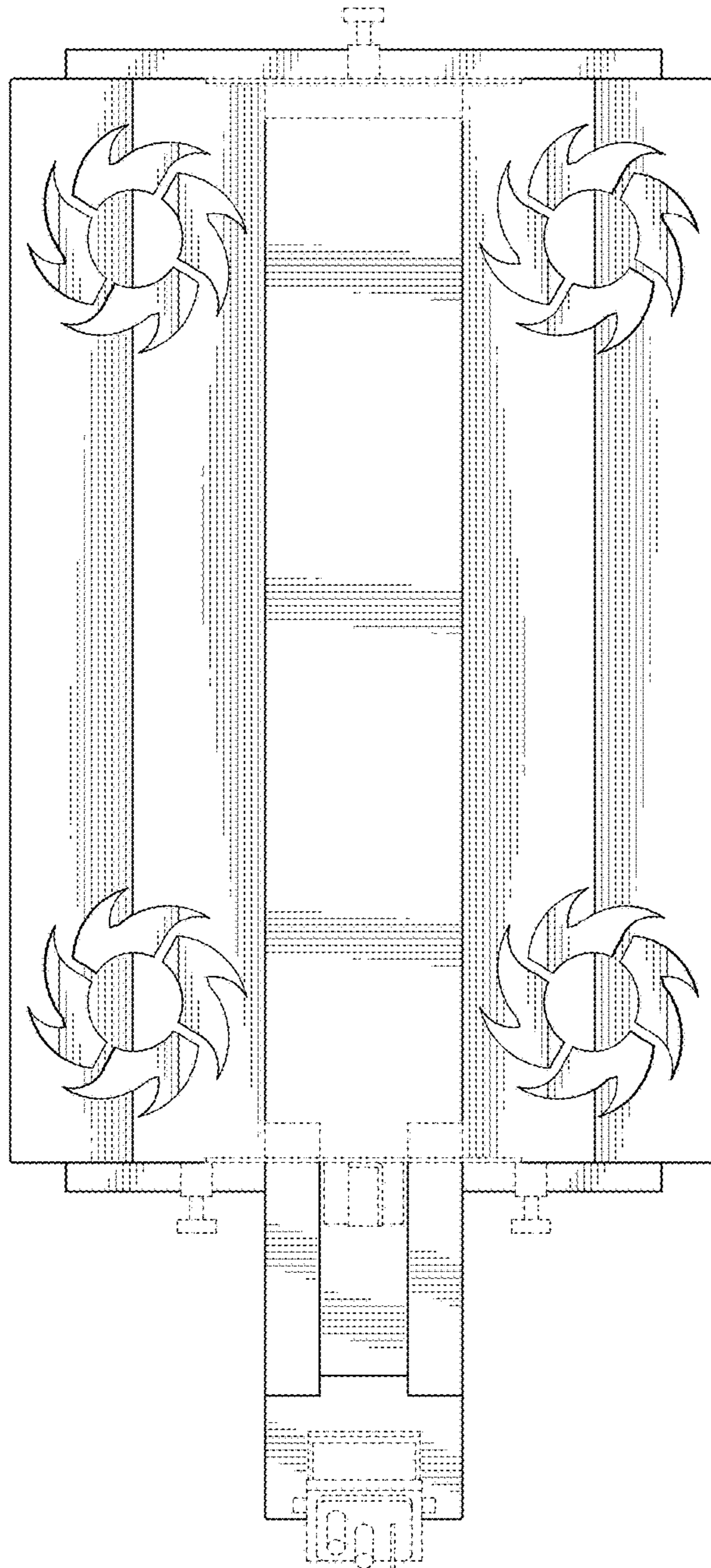


FIG. 7

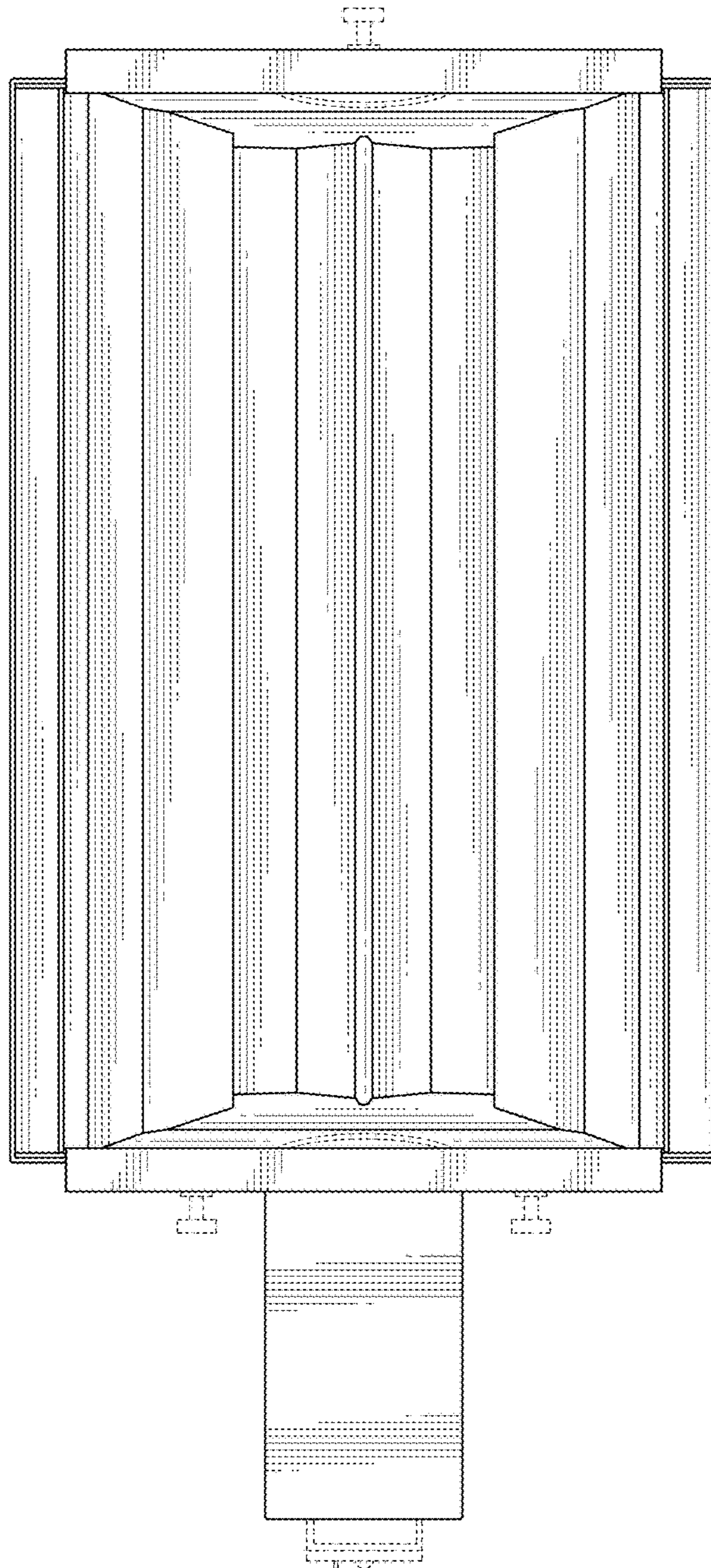


FIG. 8

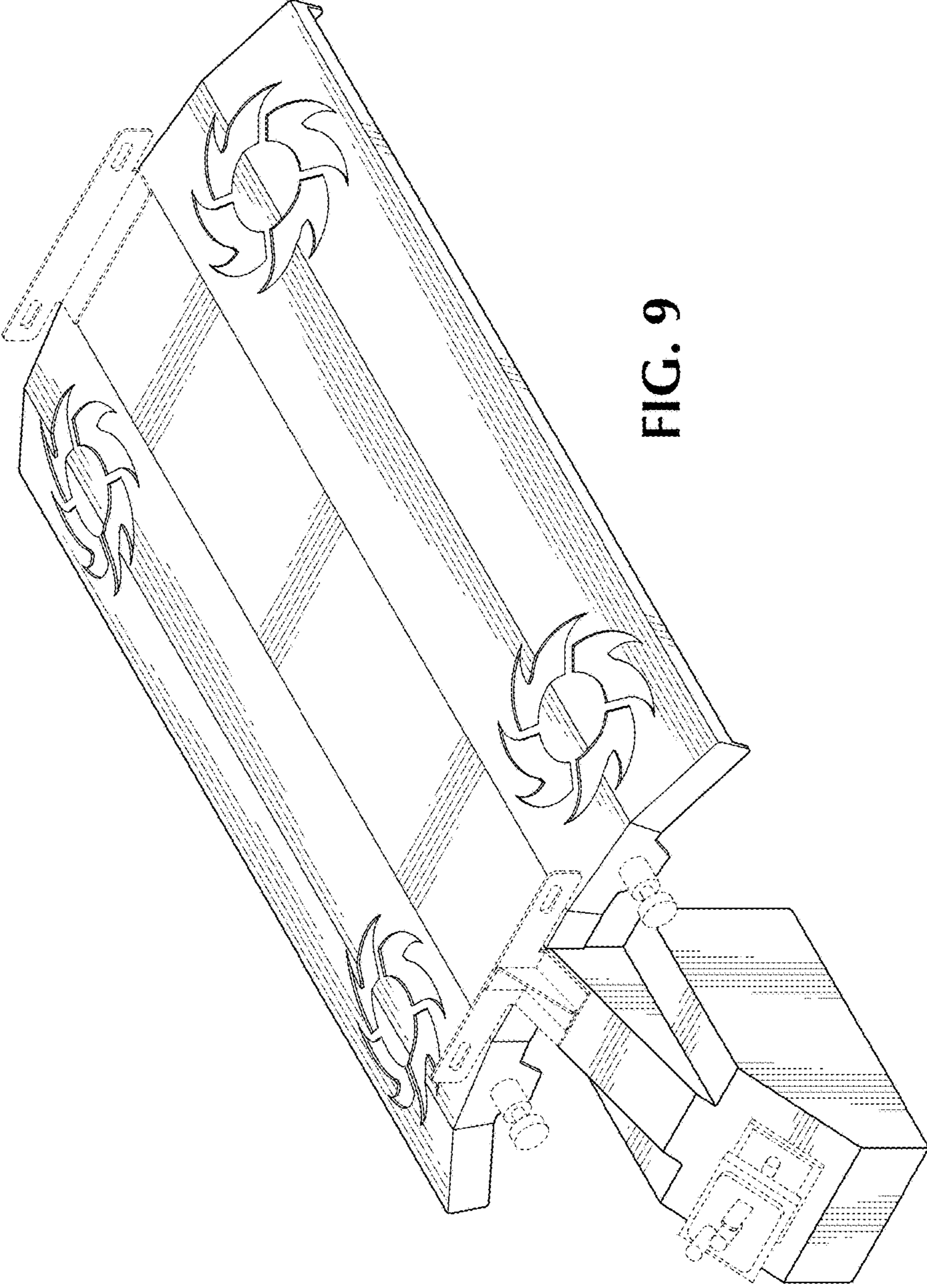


FIG. 9

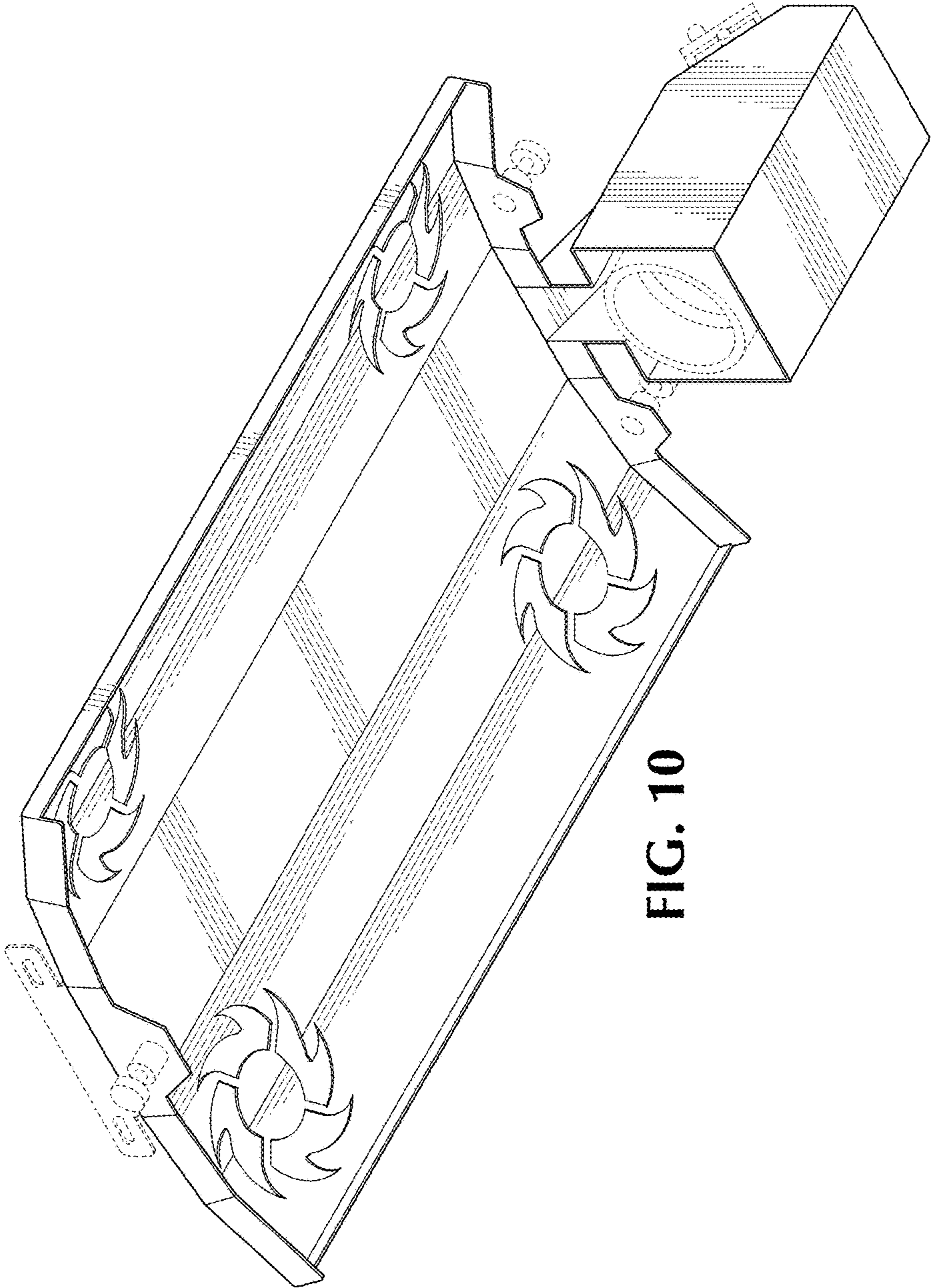


FIG. 10

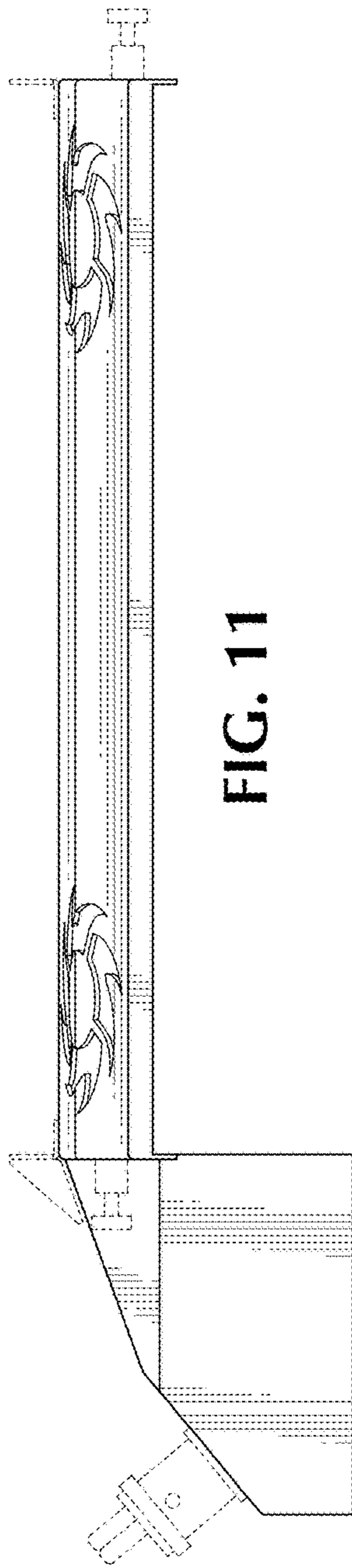


FIG. 11

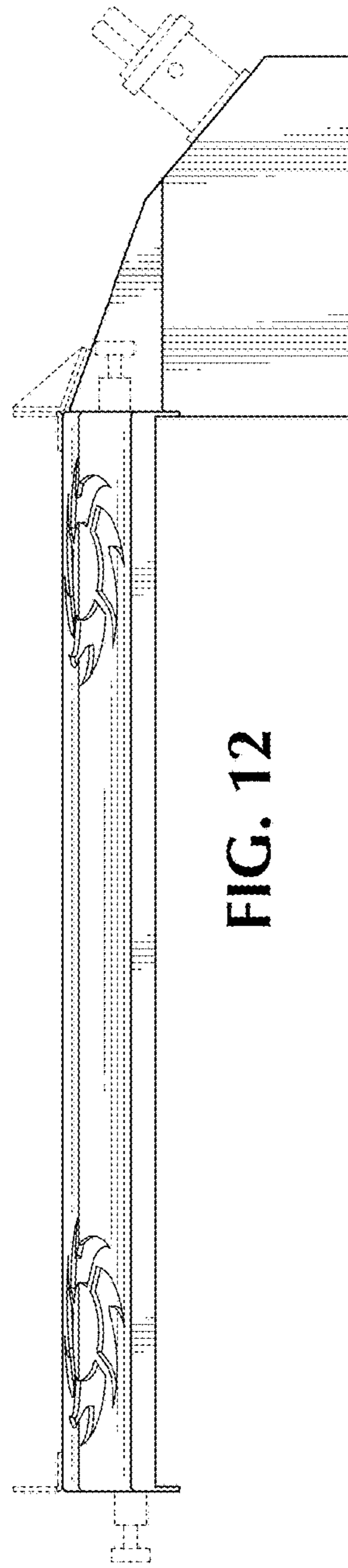


FIG. 12

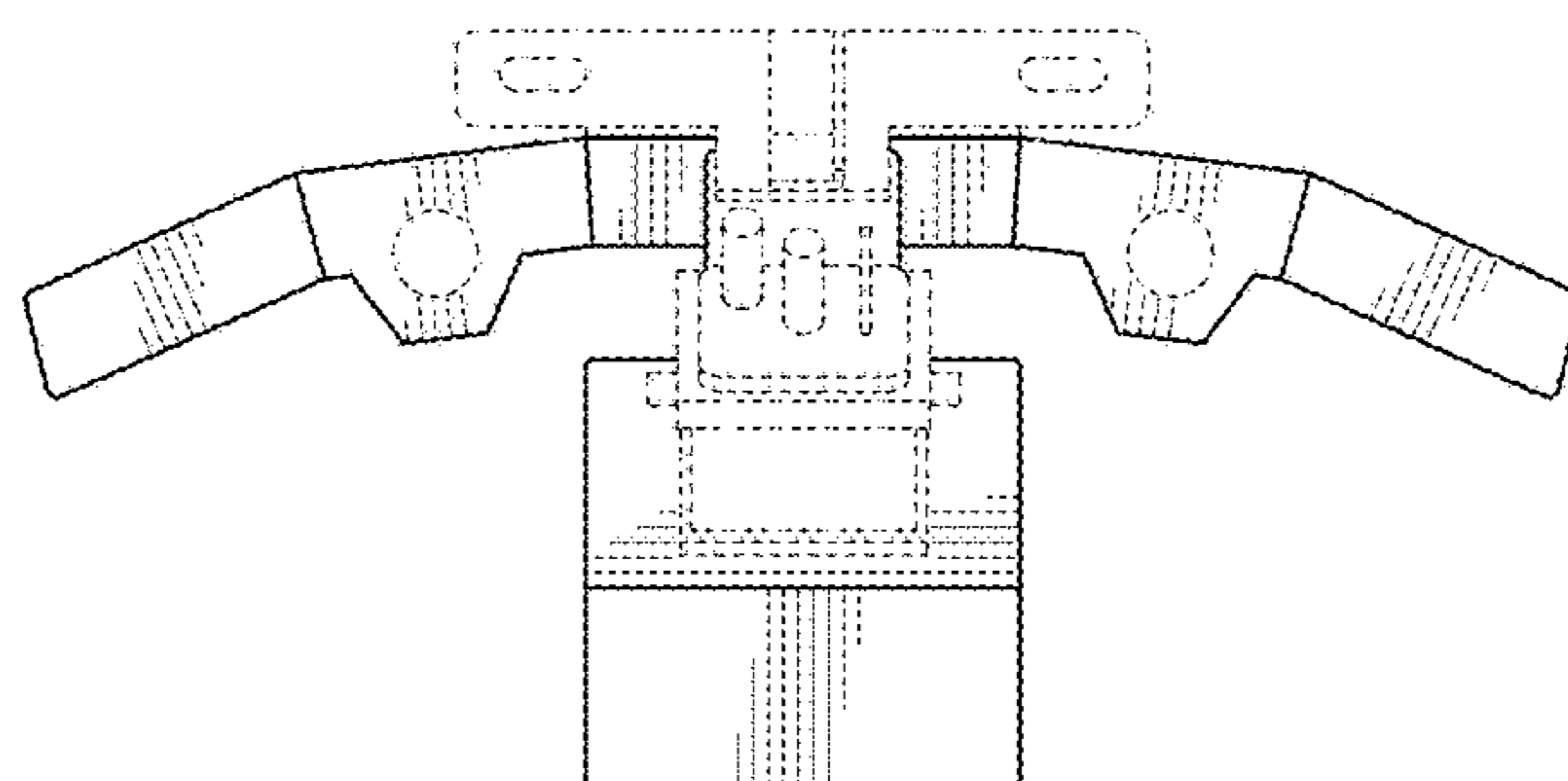


FIG. 13

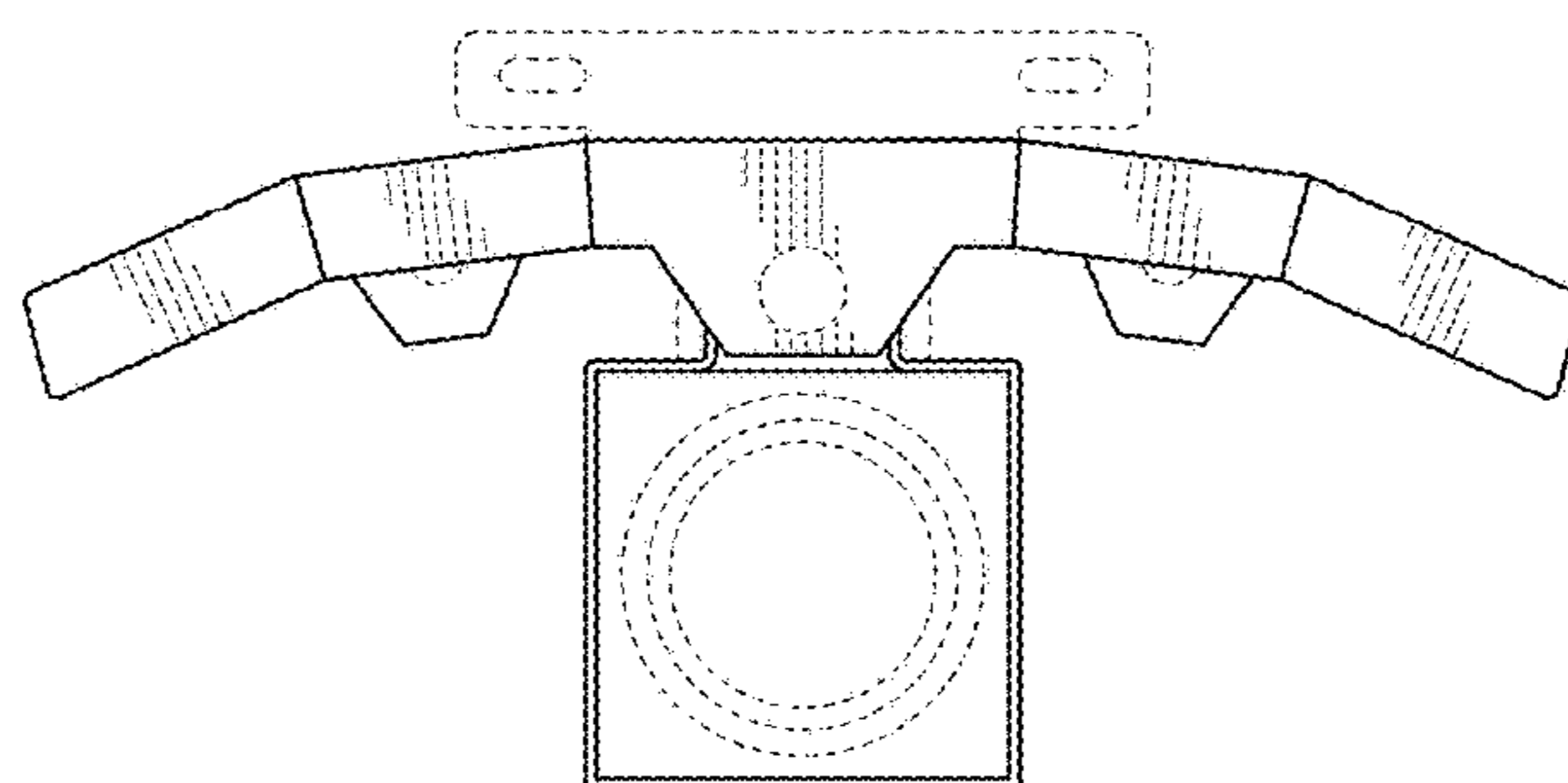


FIG. 14

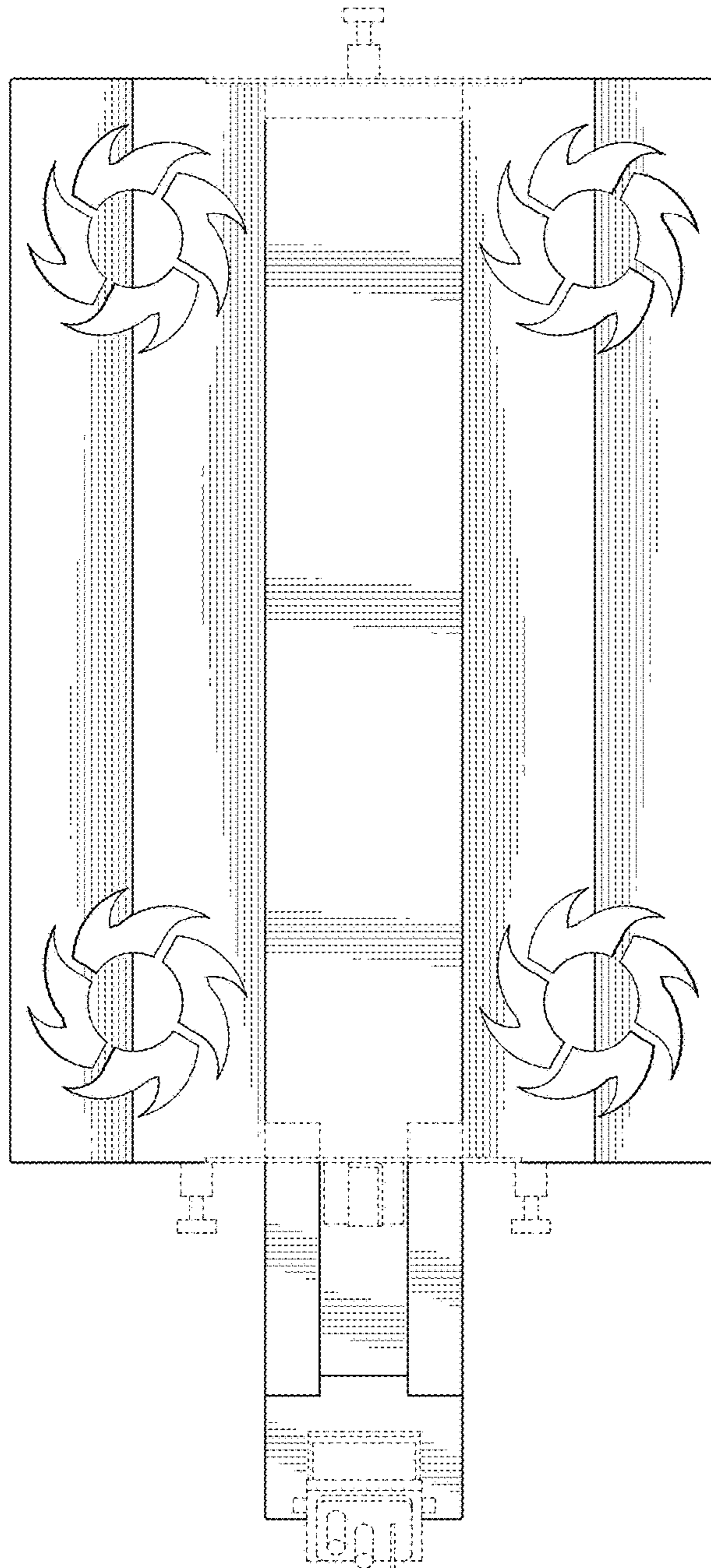


FIG. 15

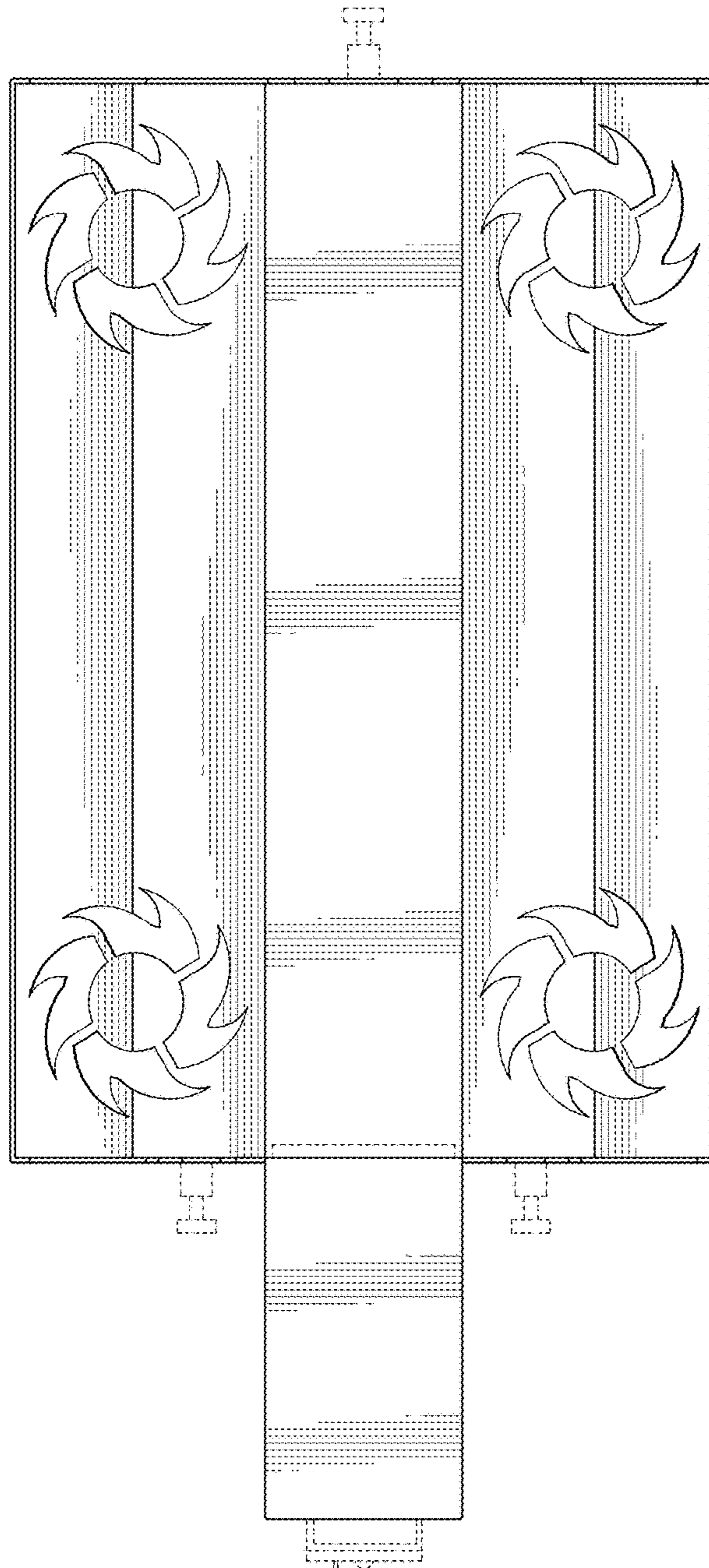


FIG. 16

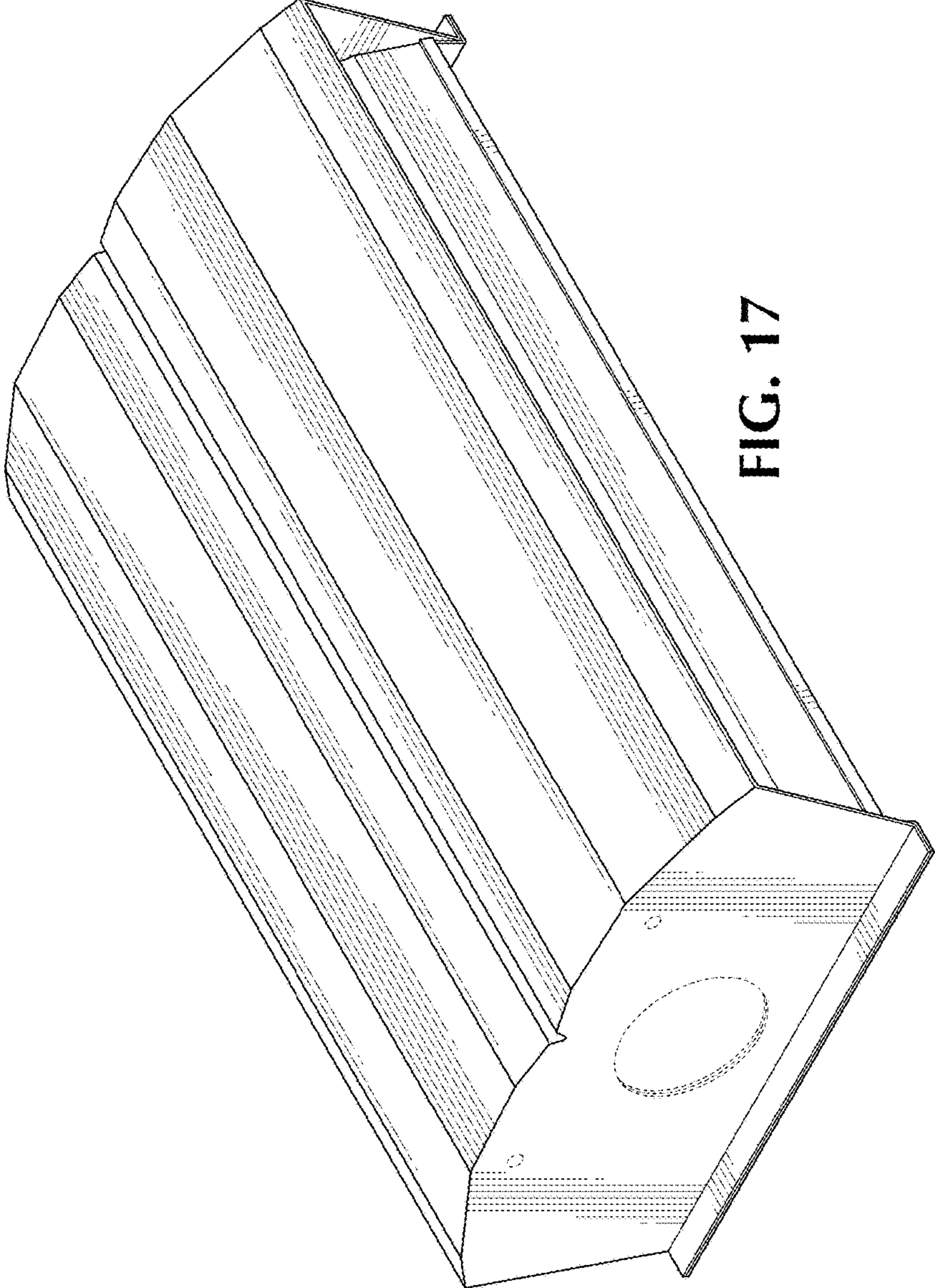


FIG. 17

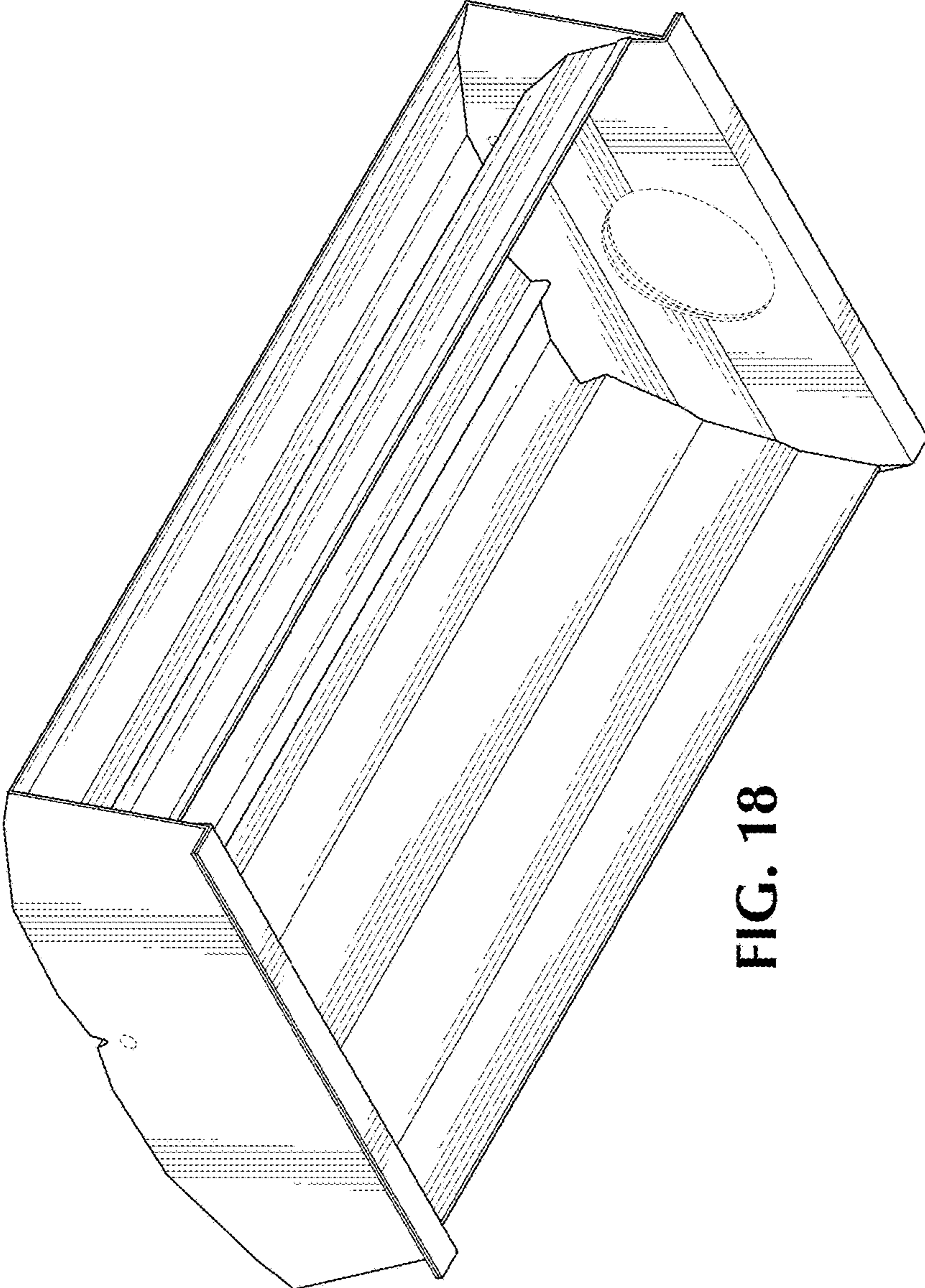


FIG. 18

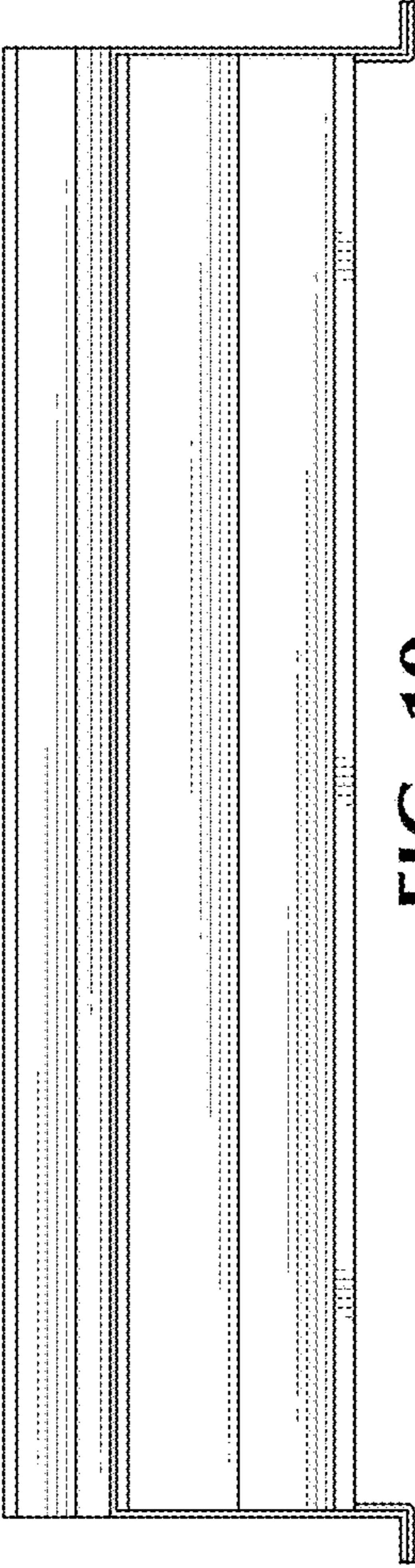


FIG. 19

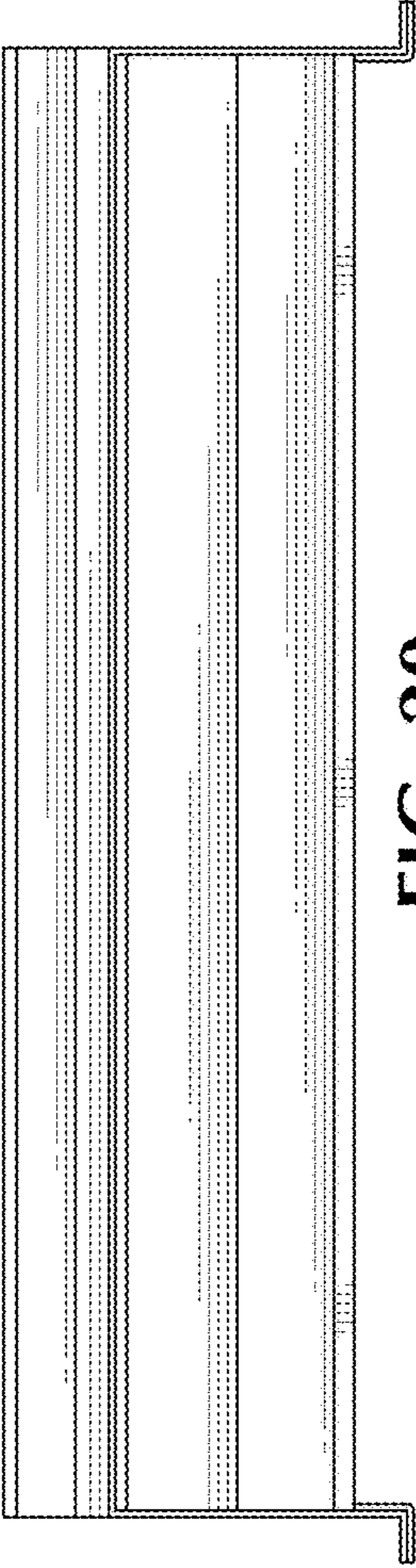


FIG. 20

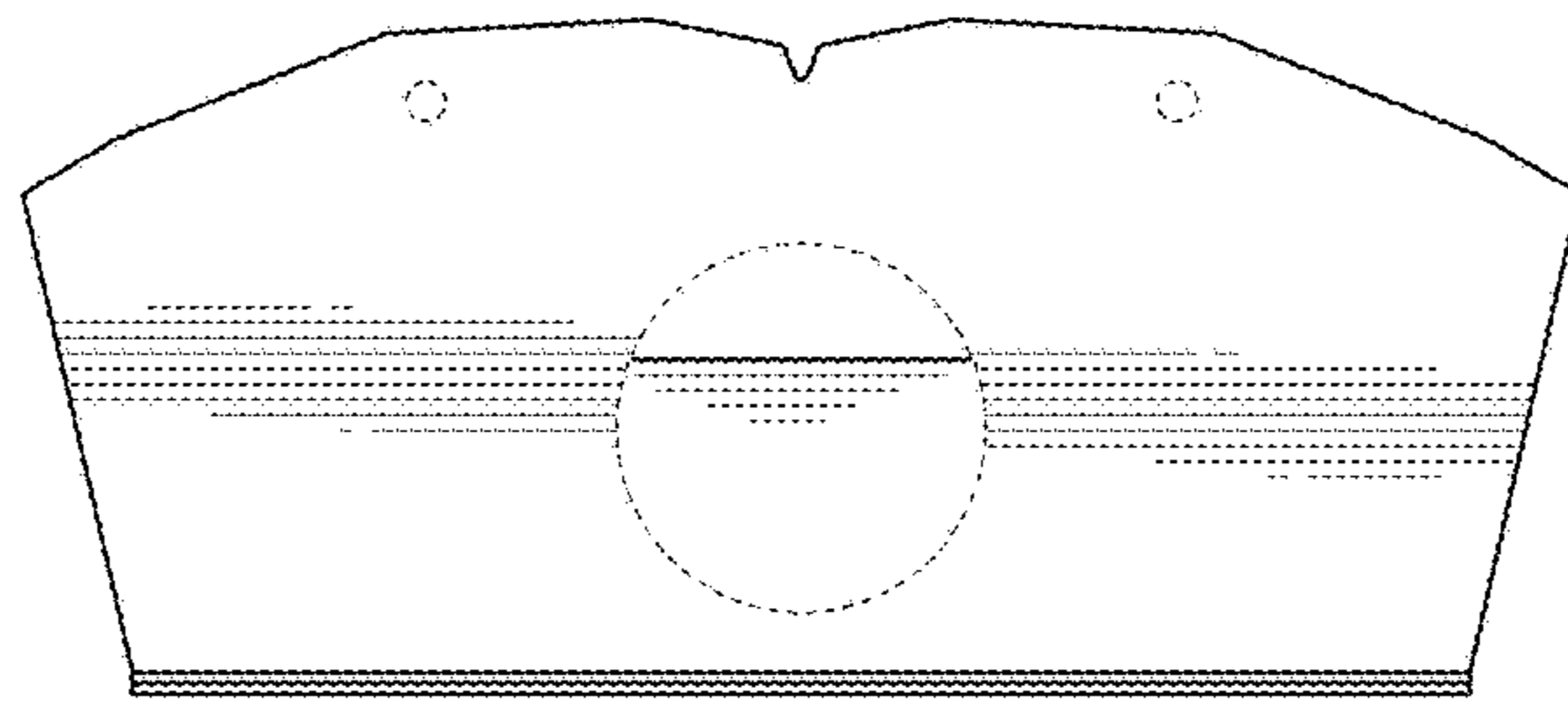


FIG. 21

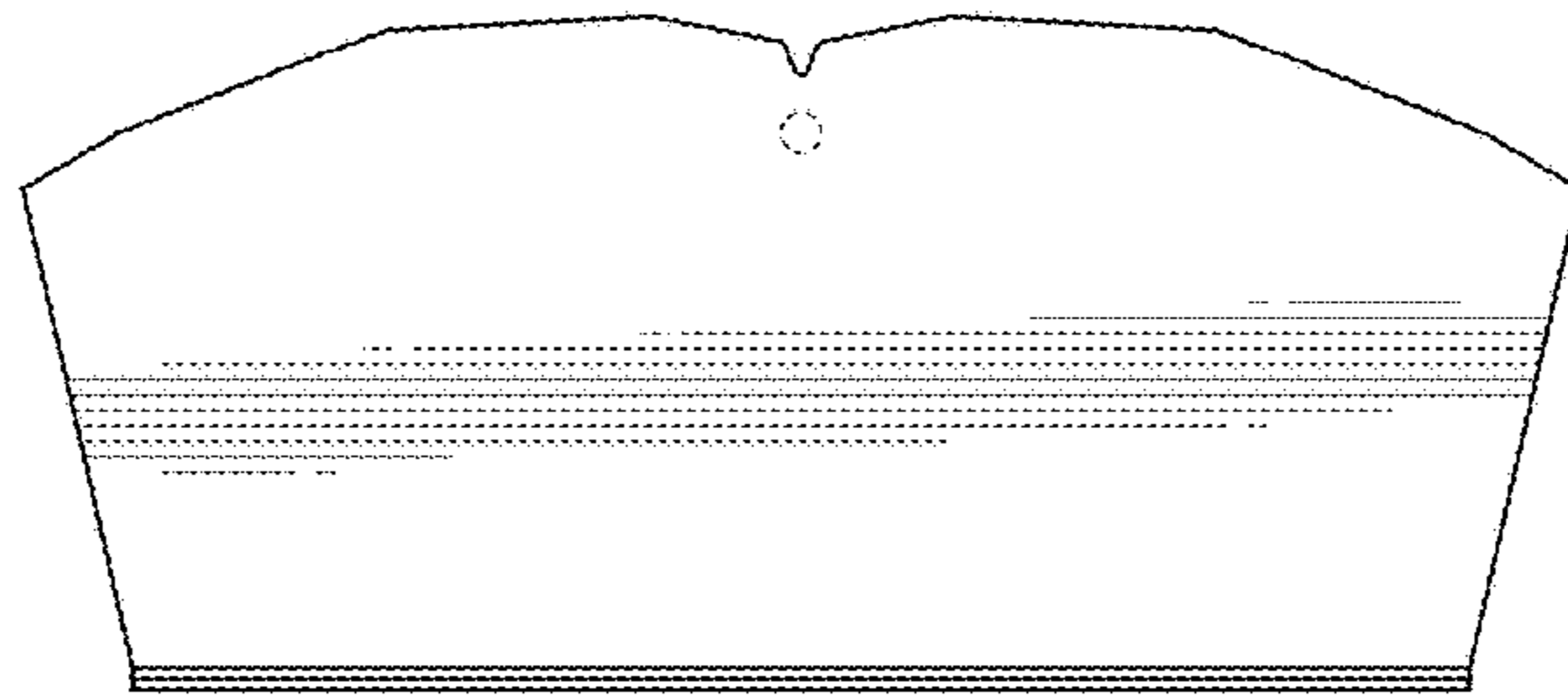


FIG. 22

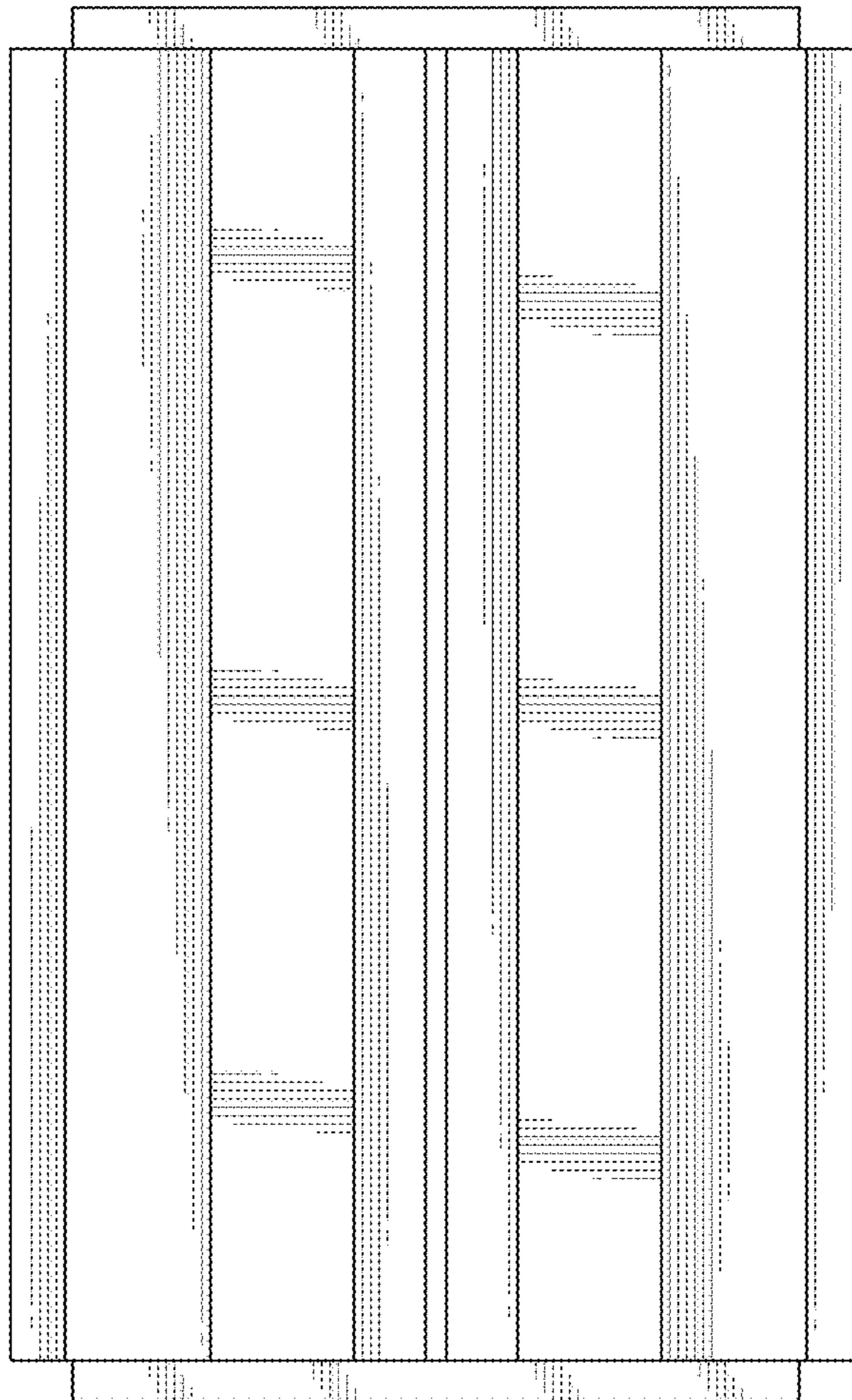


FIG. 23

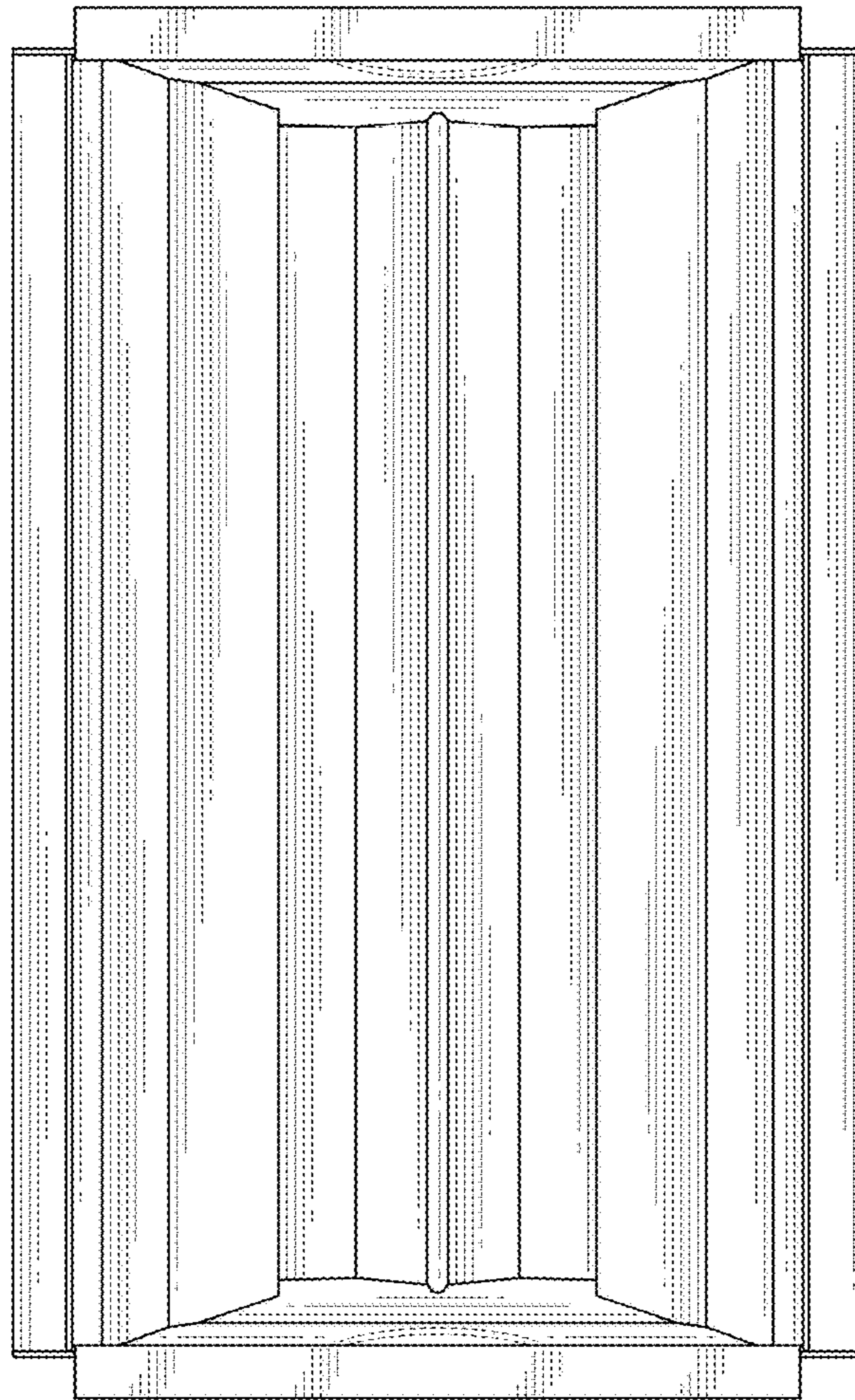


FIG. 24