



US00D851812S

(12) **United States Design Patent** (10) **Patent No.:** **US D851,812 S**
Clarke (45) **Date of Patent:** **** Jun. 18, 2019**

(54) **SOLAR CANDLE**

(71) Applicant: **As Seen on PC, Inc.**, Fairfield, CT (US)

(72) Inventor: **Curtis Allen Clarke**, Fairfield, CT (US)

(73) Assignee: **AS SEEN ON PC, INC.**, Fairfield, CT (US)

(**) Term: **15 Years**

(21) Appl. No.: **29/629,625**

(22) Filed: **Dec. 14, 2017**

(51) **LOC (11) Cl.** **26-03**

(52) **U.S. Cl.**
USPC **D26/96**

(58) **Field of Classification Search**
USPC D26/4, 5, 6, 7, 9, 96
CPC F21S 6/00; F21S 6/001; F21S 10/04; F21S 10/10; F21S 10/043; F21S 8/08; F21S 48/115; F21V 21/00; F21V 35/00; F21W 2121/00; C11C 5/002; C11C 5/004
See application file for complete search history.

(56) **References Cited**

U.S. PATENT DOCUMENTS

D267,981 S * 2/1983 Montague, Jr. D26/96
D299,556 S * 1/1989 Marshbanks D26/96
D320,864 S * 10/1991 Boschetto D26/73
D432,258 S * 10/2000 Fussell D26/96

D527,484 S * 8/2006 Fussell D26/96
D639,493 S * 6/2011 Goldy D26/96
D775,759 S * 1/2017 Clarke D26/96
D779,108 S * 2/2017 Olsen D26/96
D787,734 S * 5/2017 Patton D26/96

* cited by examiner

Primary Examiner — Brian N. Vinson
(74) *Attorney, Agent, or Firm* — Ziegler IP Law Group, LLC

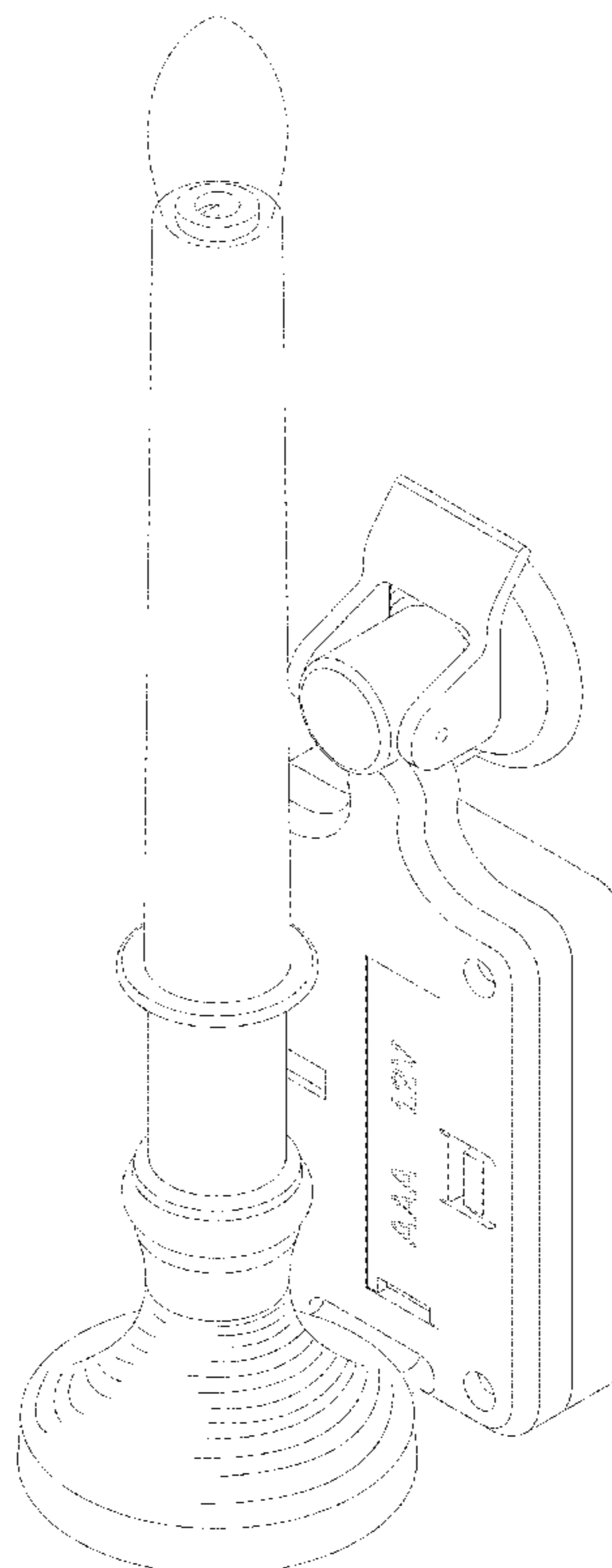
(57) **CLAIM**

The ornamental design for a solar candle, as shown and described.

DESCRIPTION

FIG. 1 is a perspective view of an embodiment of the solar candle of the subject disclosure;
FIG. 2 is a left side view of the solar candle shown in FIG. 1;
FIG. 3 is a right side view of the solar candle shown in FIG. 1;
FIG. 4 is a front view of the solar candle shown in FIG. 1;
FIG. 5 is a back view of the solar candle shown in FIG. 1;
FIG. 6 is a bottom view of the solar candle shown in FIG. 1; and,
FIG. 7 is a top view of the solar candle of FIG. 1.
The broken lines showing are for illustrative purposes only and do not form part of the claimed design.

1 Claim, 7 Drawing Sheets



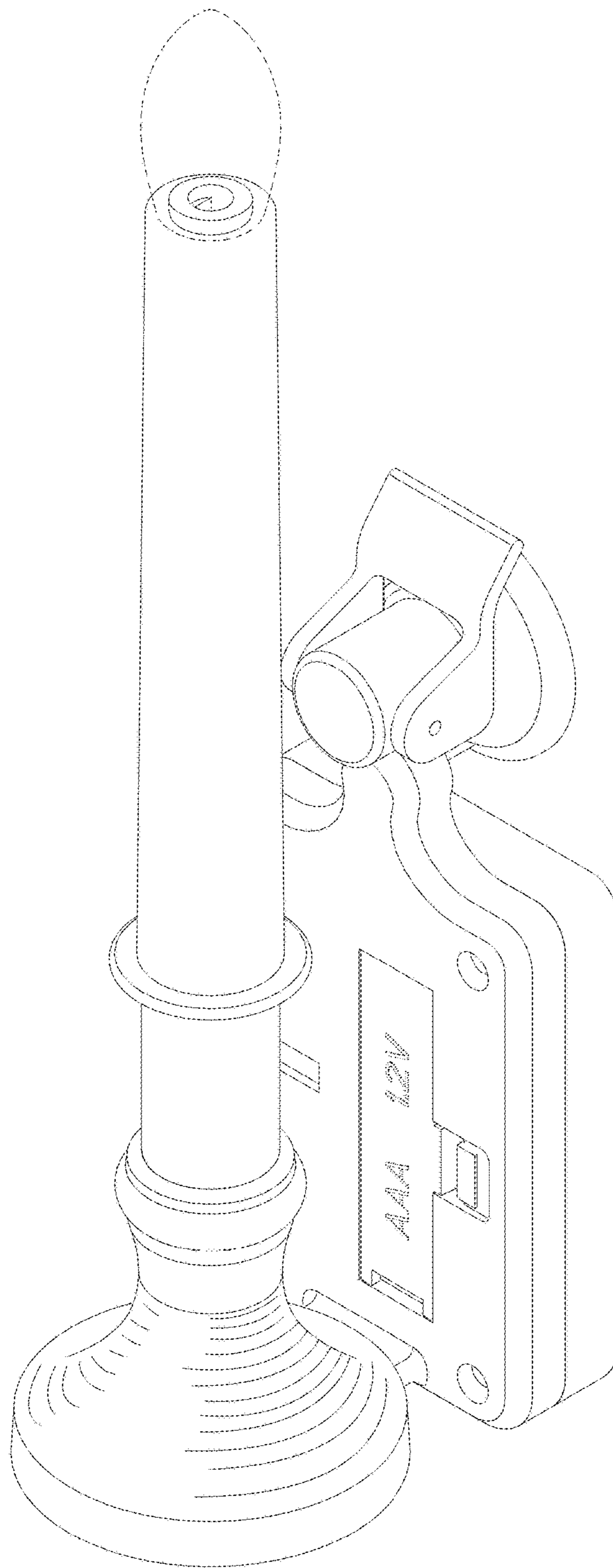


FIG. 1

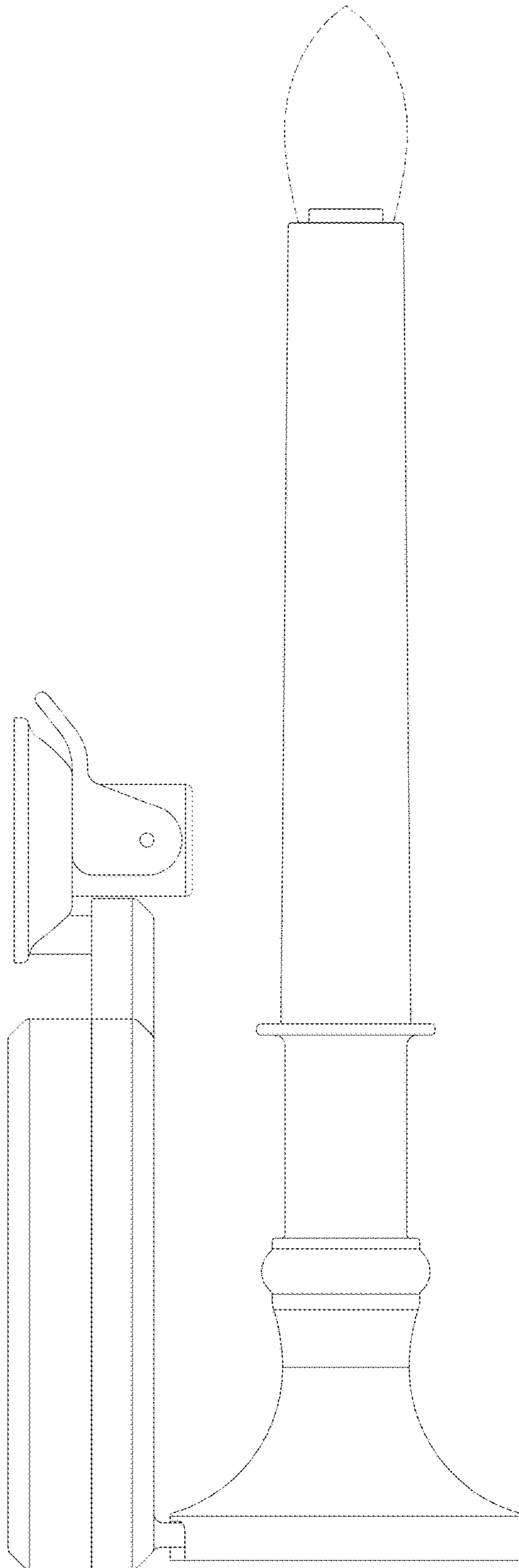


FIG. 2

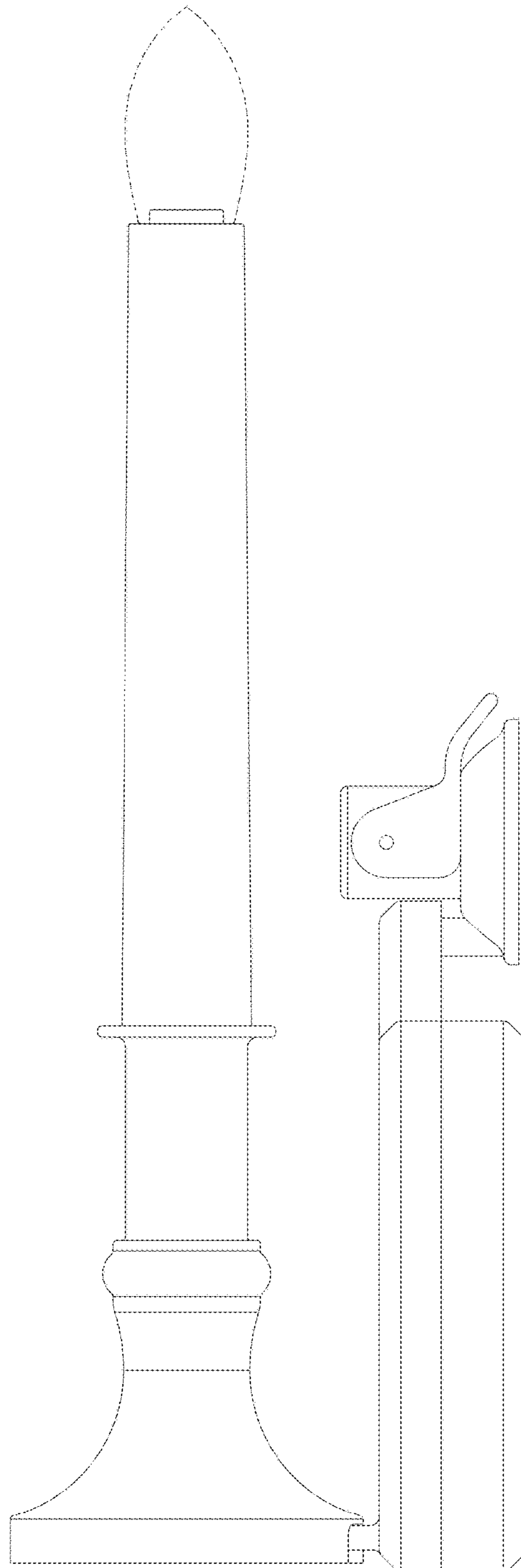


FIG. 3

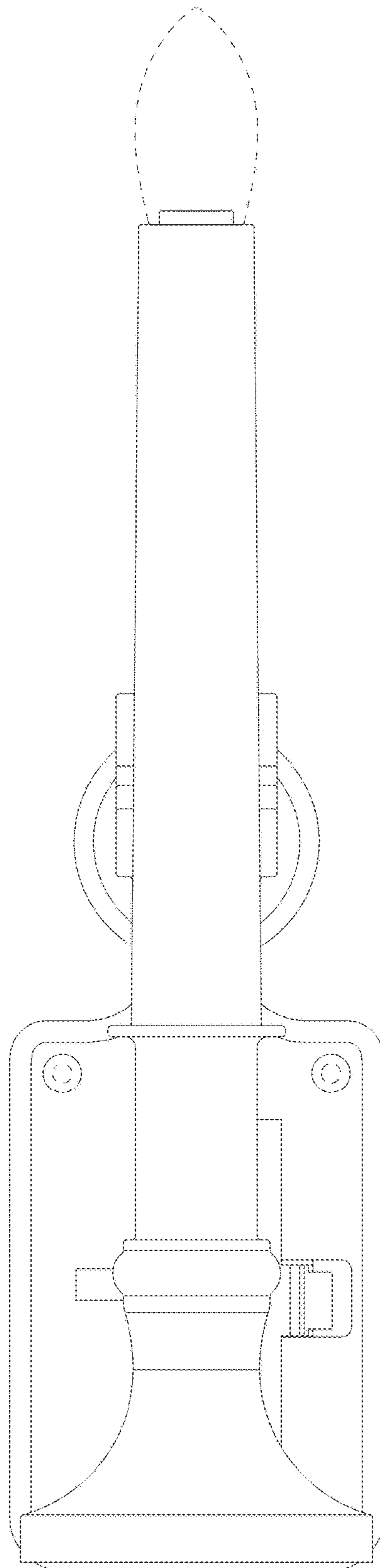


FIG. 4

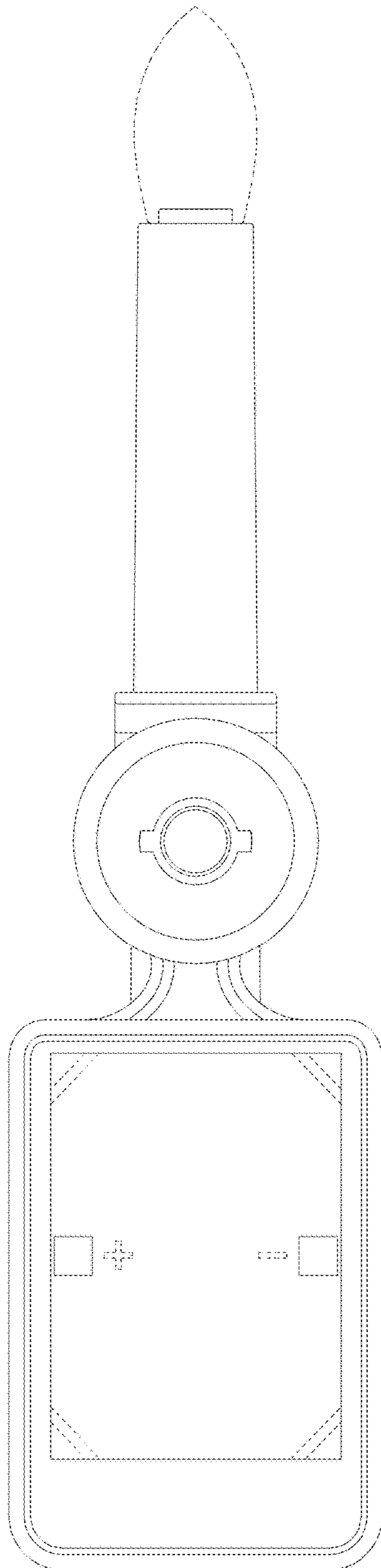


FIG. 5

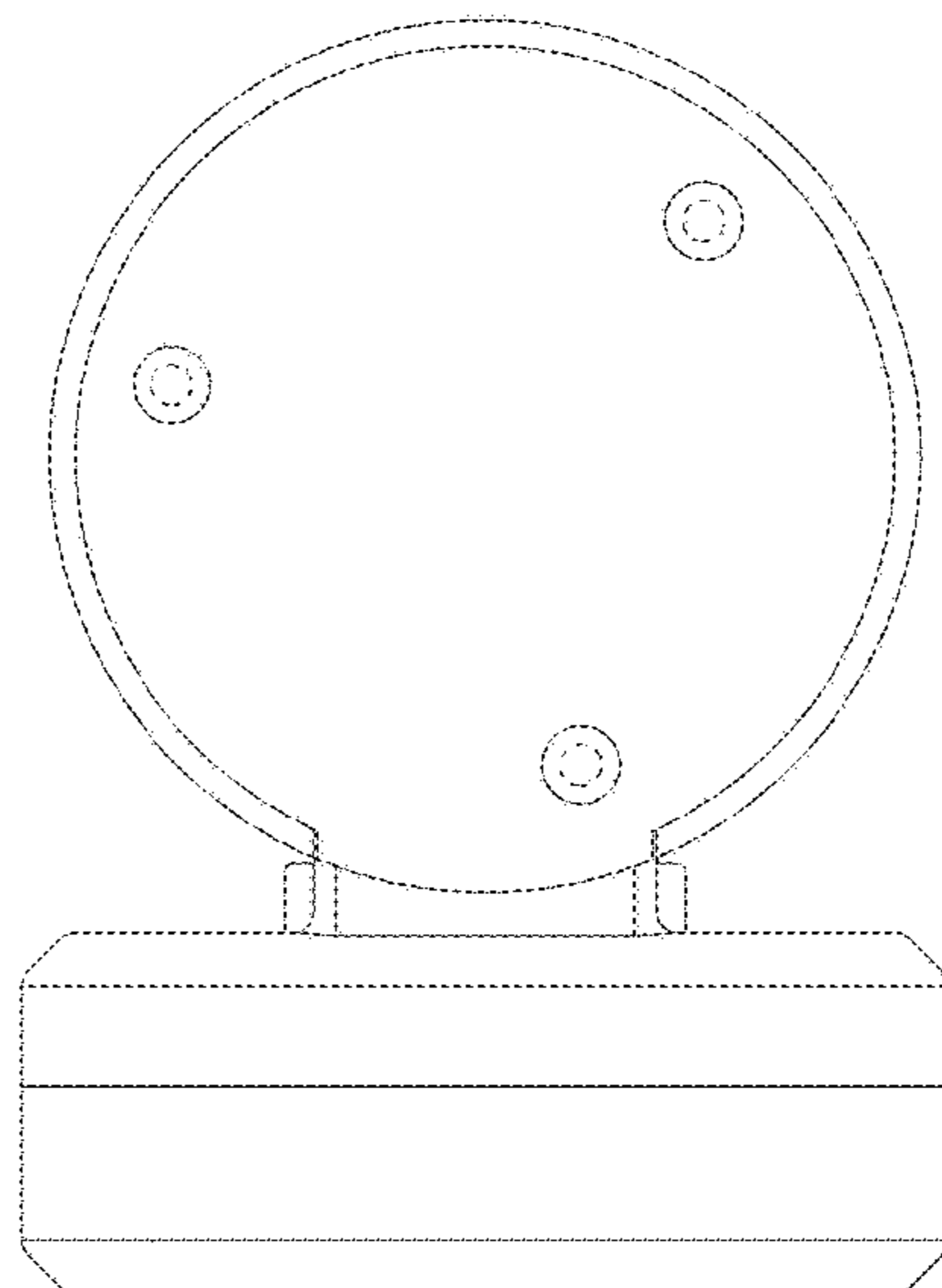


FIG. 6

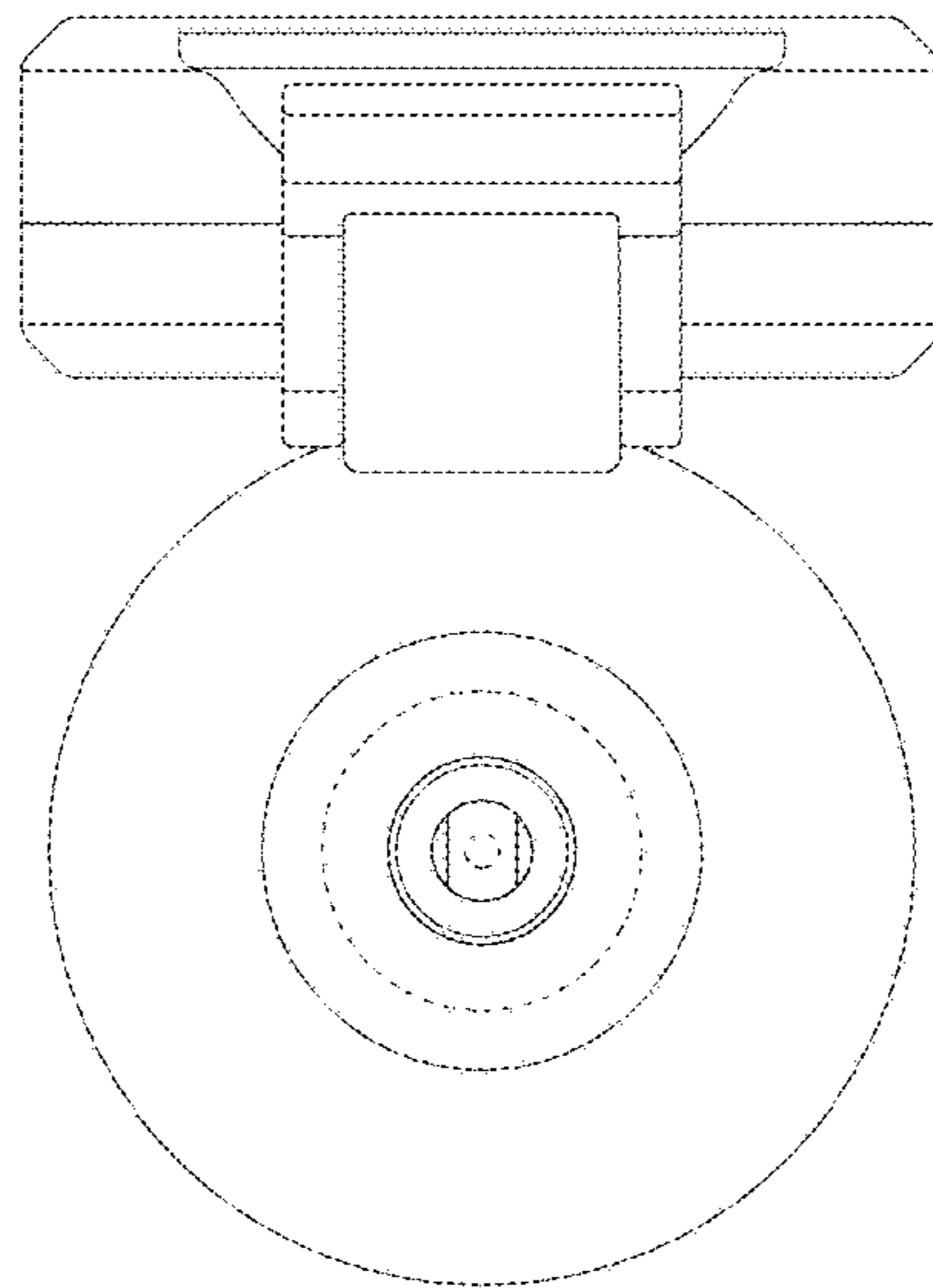


FIG. 7