



US00D851811S

(12) **United States Design Patent**
Liu

(10) **Patent No.:** **US D851,811 S**

(45) **Date of Patent:** **** Jun. 18, 2019**

(54) **SOLAR LAMP**

(71) Applicant: **Shenzhen Ennoplus Technology Co., Ltd.**, Shenzhen, Guangdong (CN)

(72) Inventor: **Hangyu Liu**, Guangdong (CN)

(73) Assignee: **Shenzhen Ennoplus Technology Co., Ltd.**, Shenzhen (CN)

(**) Term: **15 Years**

(21) Appl. No.: **29/647,948**

(22) Filed: **May 17, 2018**

(30) **Foreign Application Priority Data**

Nov. 28, 2017 (CN) 2017 3 0593176

(51) **LOC (11) Cl.** **26-03**

(52) **U.S. Cl.**
USPC **D26/92; D26/85**

(58) **Field of Classification Search**
USPC D26/67-71, 92, 118
CPC F21S 8/033; F21S 8/036; F21S 8/08; F21S 8/081; F21S 8/085; F21S 8/086; F21S 6/003; F21W 2131/1005; F21W 2131/103; F21W 2131/107; F21W 2131/109

See application file for complete search history.

(56) **References Cited**

U.S. PATENT DOCUMENTS

D277,701 S * 2/1985 deCandia D26/67
D291,926 S * 9/1987 Schlepp D26/24
D311,966 S * 11/1990 Bilson D26/67

D318,135 S * 7/1991 Hall D26/67
D435,927 S * 1/2001 Sonnenfeldt D26/67
D446,340 S * 8/2001 Bradford D26/87
6,290,376 B1 * 9/2001 Gutierrez F21S 8/033
362/273
D500,569 S * 1/2005 Butler D26/67
D555,821 S * 11/2007 Russello D26/71
7,296,914 B1 * 11/2007 Russello F21S 8/033
362/285
D565,227 S * 3/2008 Haugaard D26/71
D580,085 S * 11/2008 Svensson D26/71
2010/0097793 A1 * 4/2010 Kuo F21V 7/005
362/218

* cited by examiner

Primary Examiner — Clare E Heflin

(57) **CLAIM**

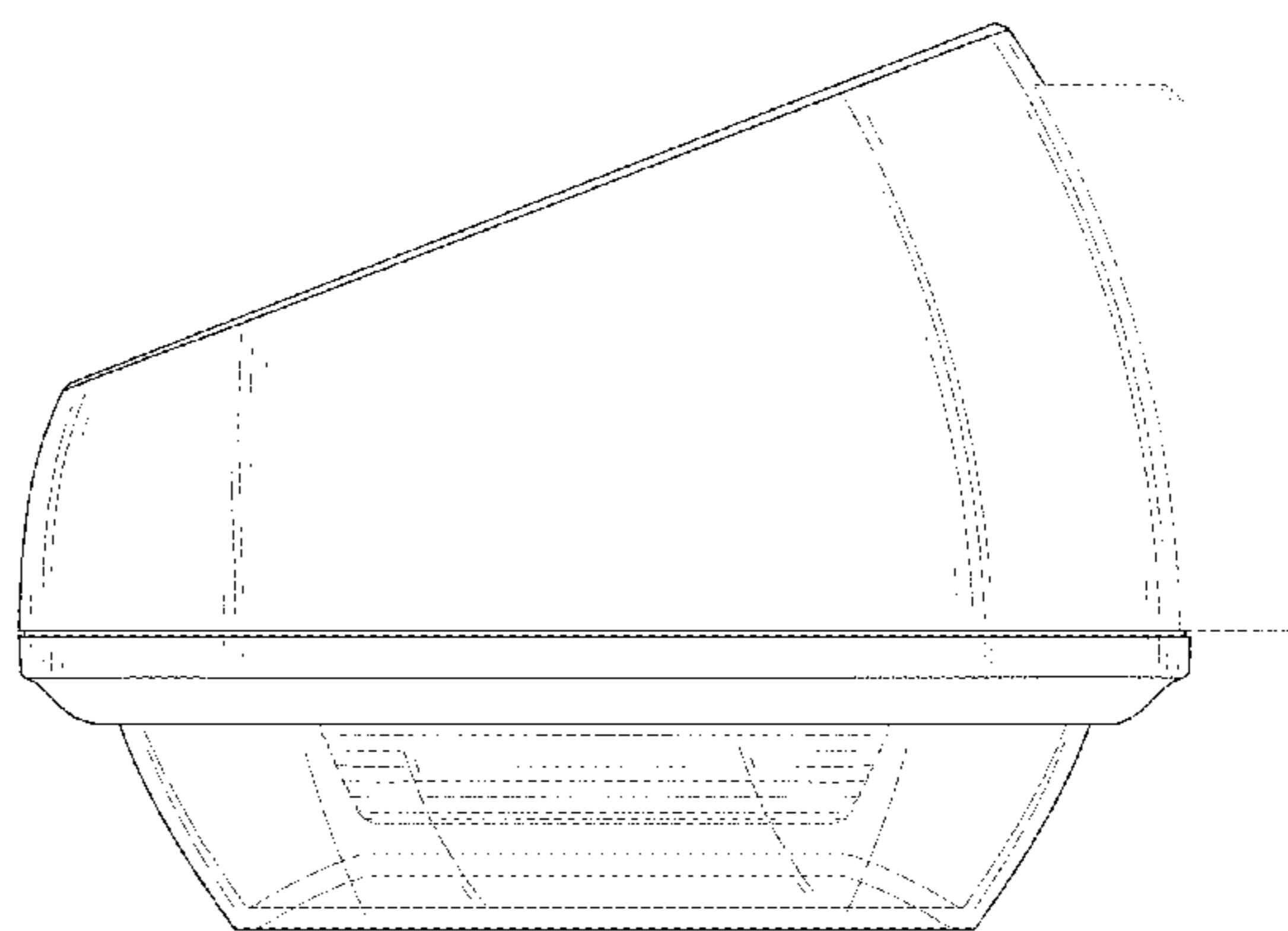
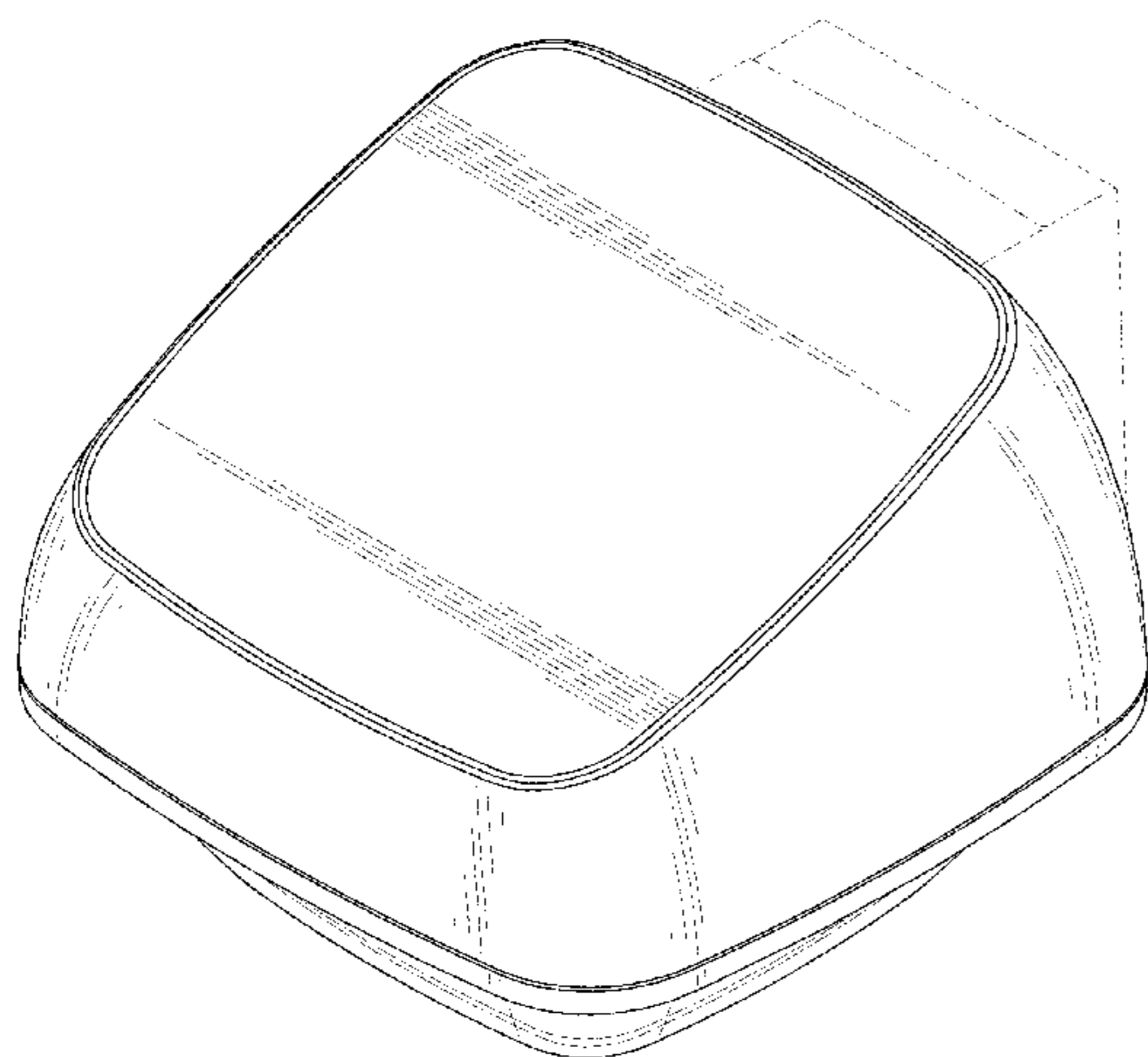
The ornamental design for a solar lamp, as shown and described.

DESCRIPTION

FIG. 1 is a top, front and right side perspective view of a solar lamp showing my new design;
FIG. 2 is a bottom, rear and right side perspective view thereof;
FIG. 3 is a front elevational view thereof;
FIG. 4 is a rear elevational view thereof;
FIG. 5 is a left side view thereof;
FIG. 6 is a right side view thereof;
FIG. 7 is a top plan view thereof; and,
FIG. 8 is a bottom plan view thereof.

The broken lines in the drawings illustrate portions of the solar lamp which form no part of the claimed design. The oblique shade lines in the drawings indicate transparency.

1 Claim, 8 Drawing Sheets



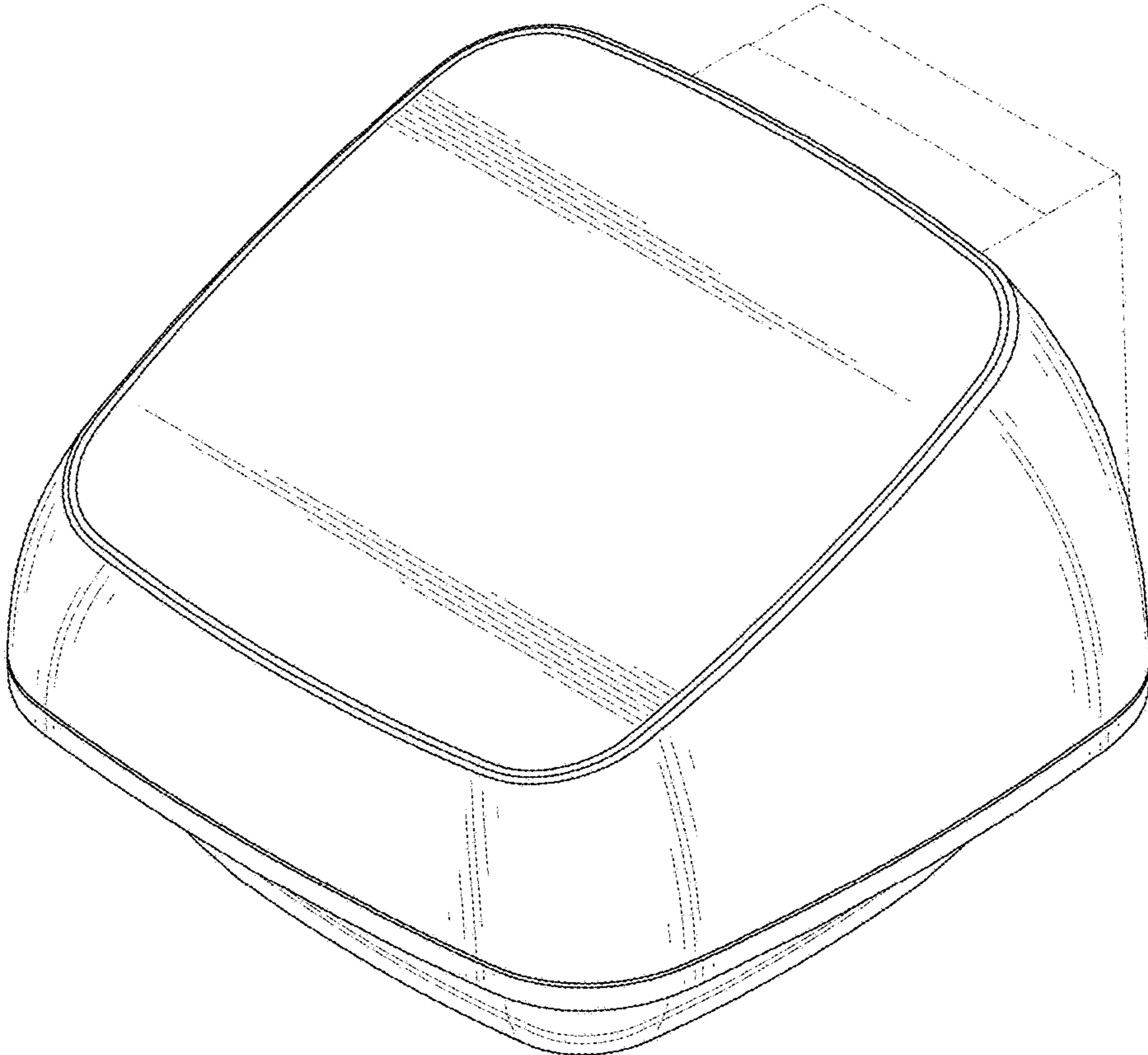


Fig. 1

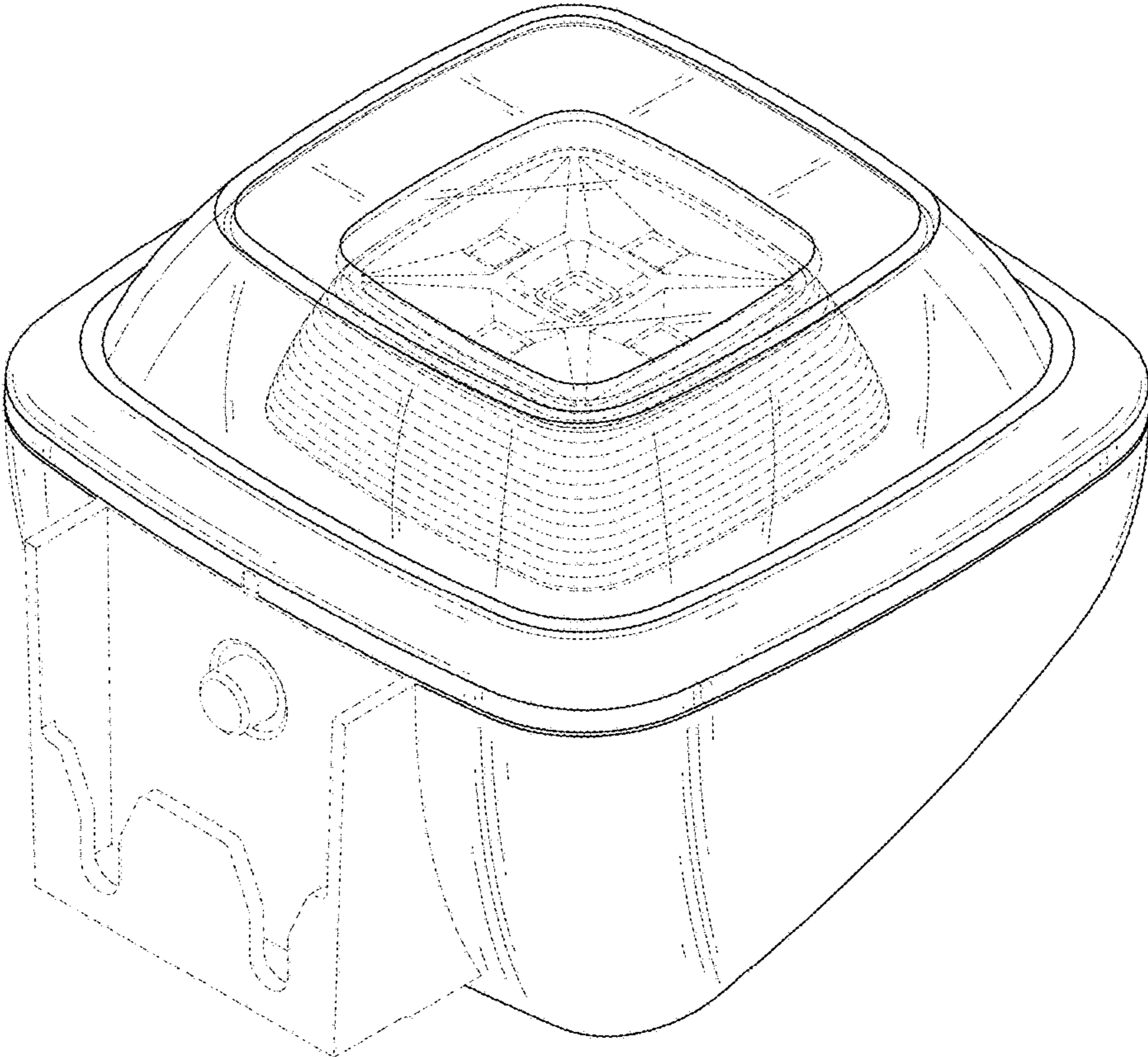


Fig. 2

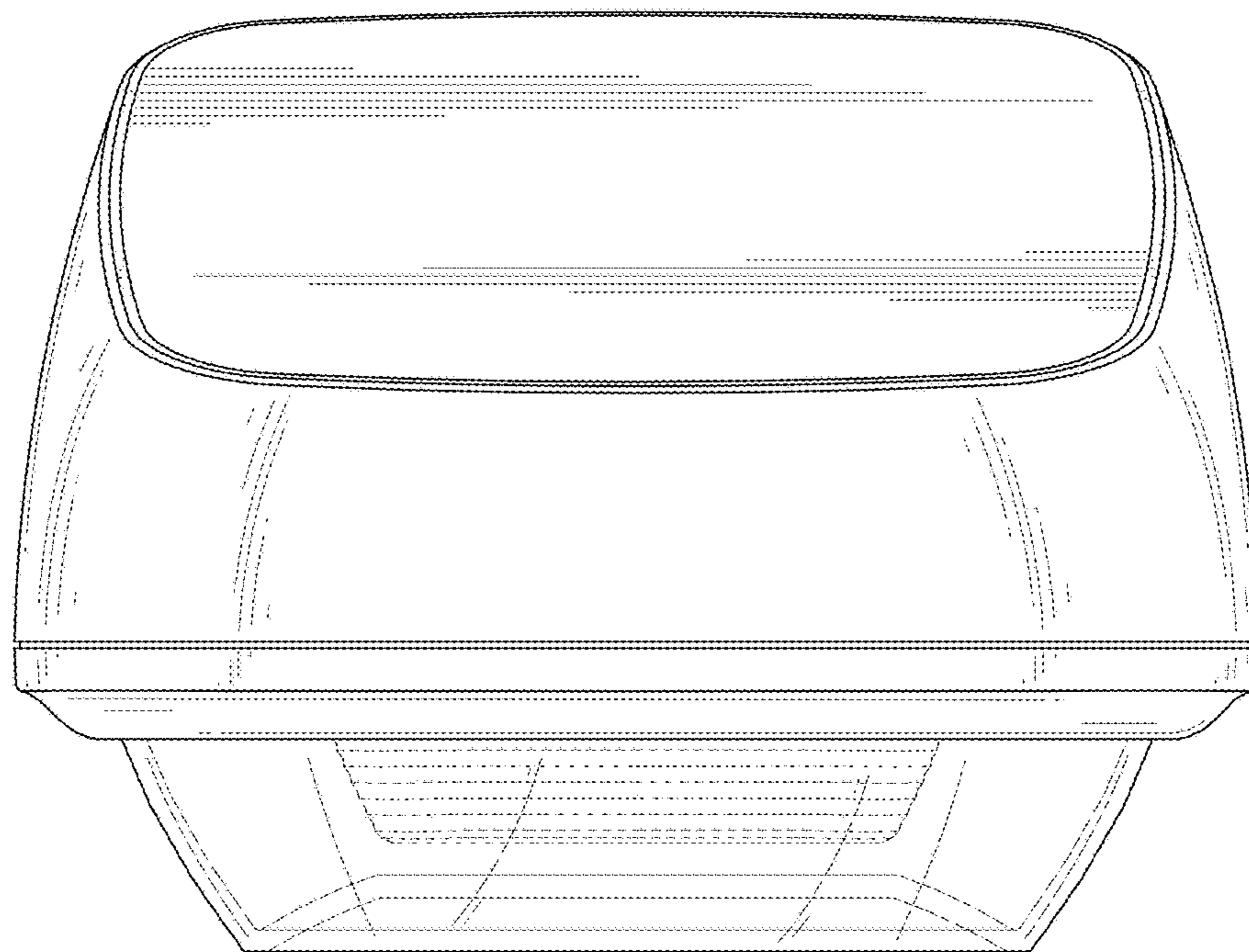


Fig. 3

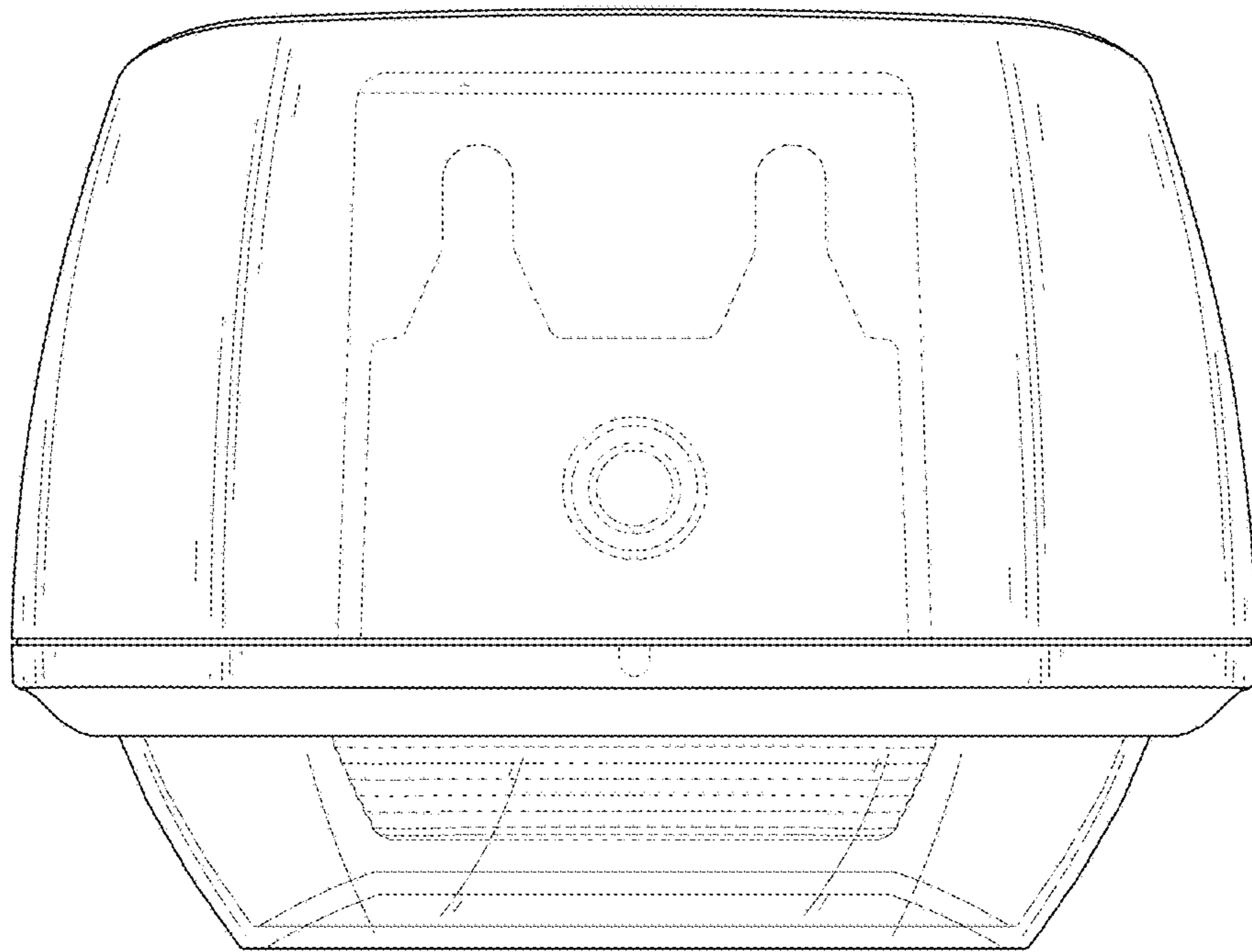


Fig. 4

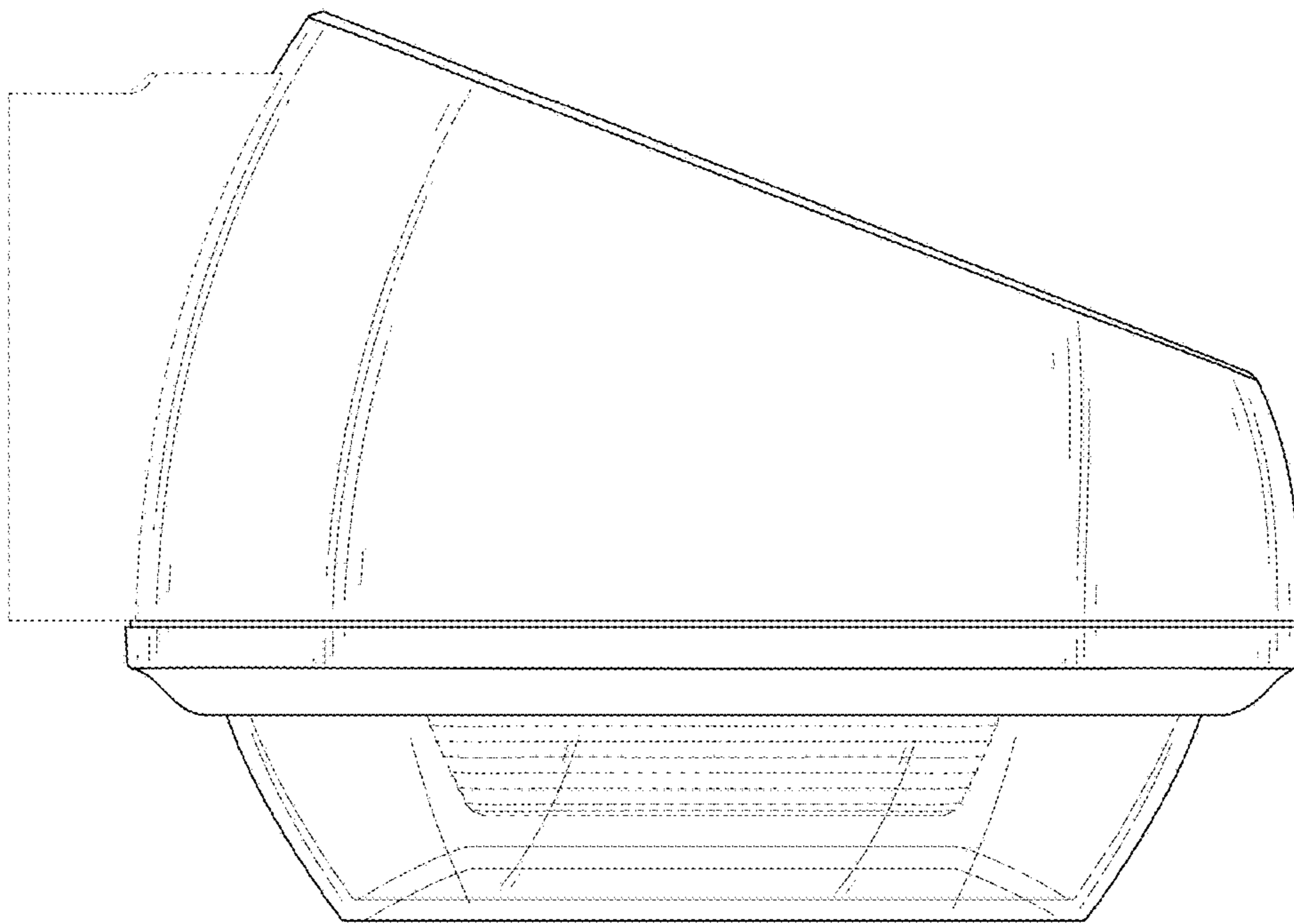


Fig. 5

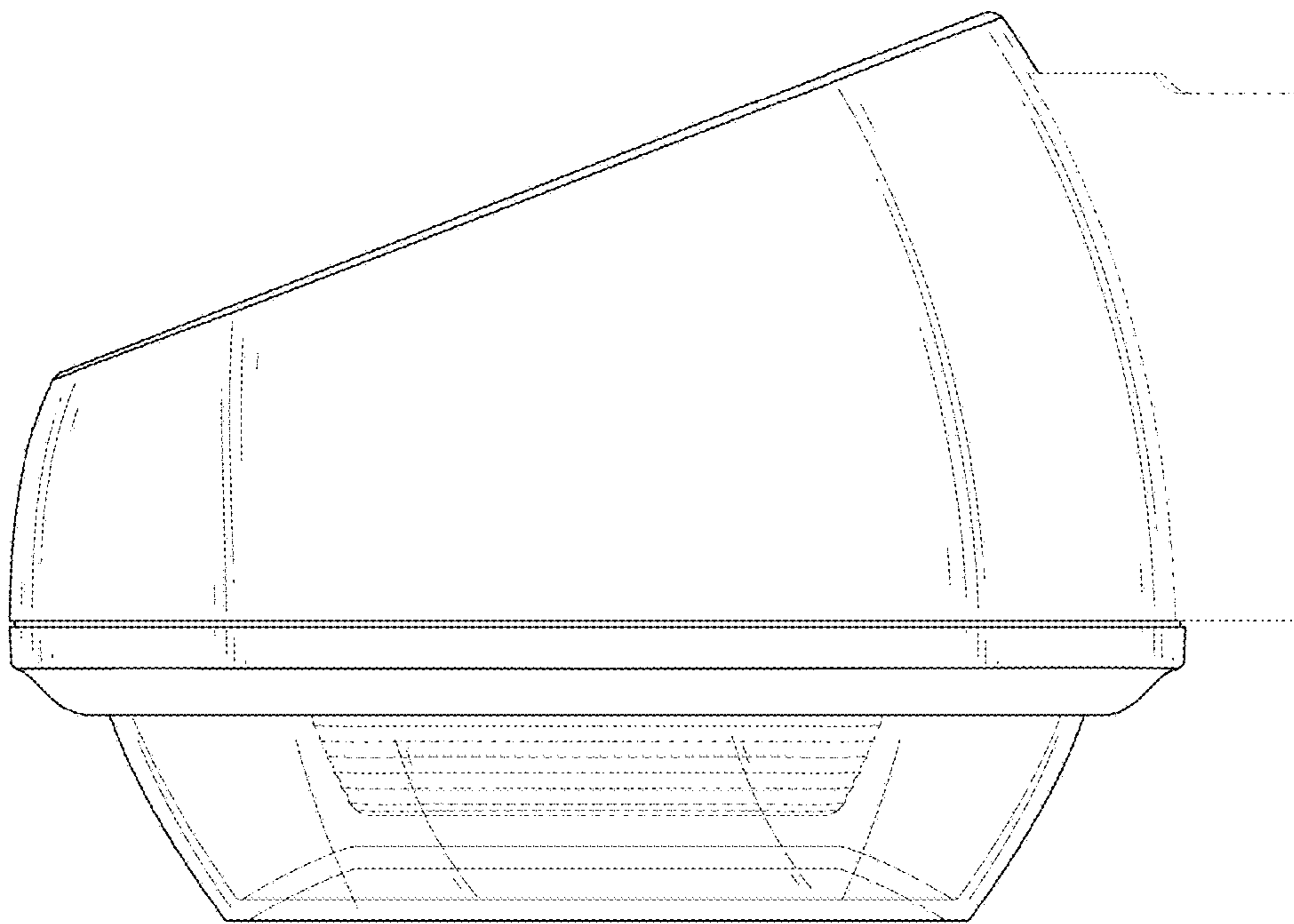


Fig. 6

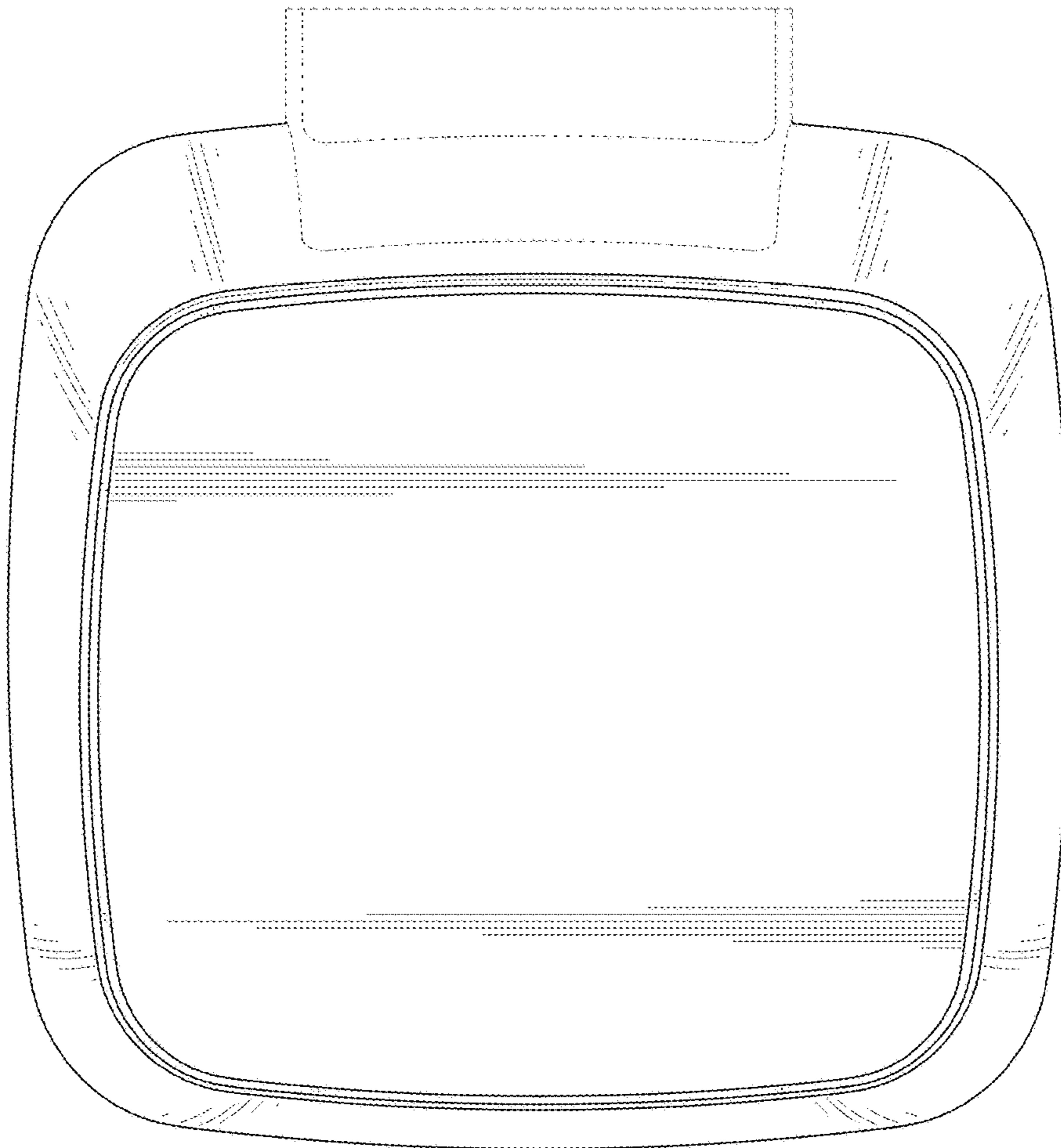


Fig. 7

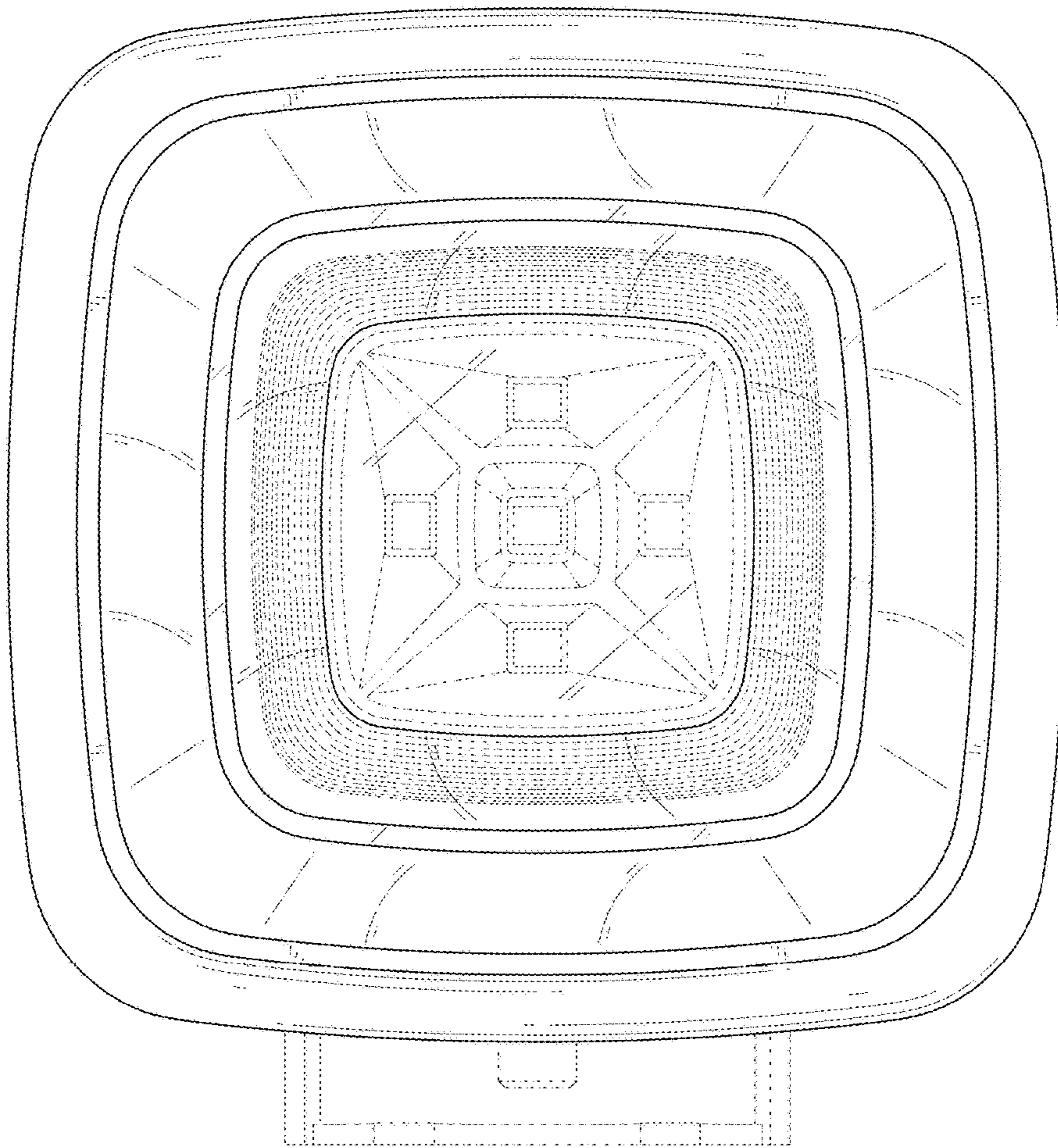


Fig. 8