



US00D851810S

(12) **United States Design Patent**
Workman et al.

(10) **Patent No.:** **US D851,810 S**
(45) **Date of Patent:** **** Jun. 18, 2019**

(54) **PENDANT LIGHT**

(71) Applicant: **Barebones Systems, LLC**, Salt Lake City, UT (US)

(72) Inventors: **Robert Emmett Workman**, Morgan, UT (US); **David Jared Burton**, Payson, UT (US); **Erik Robert Workman**, Salt Lake City, UT (US); **Kristin Mecham**, Springville, UT (US)

(73) Assignee: **BAREBONES SYSTEMS, LLC**, Salt Lake City, UT (US)

(**) Term: **15 Years**

(21) Appl. No.: **29/636,265**

(22) Filed: **Feb. 7, 2018**

(51) **LOC (11) Cl.** **26-03**

(52) **U.S. Cl.**
USPC **D26/88**

(58) **Field of Classification Search**
USPC D26/81-92, 118, 119
CPC F21S 8/06; F21S 8/061; F21S 8/063; F21S 8/065; F21V 5/06
See application file for complete search history.

(56) **References Cited**

U.S. PATENT DOCUMENTS

1,121,420 A	12/1914	Tizley	
D81,532 S *	7/1930	Gosling	D26/119
D83,989 S *	4/1931	Sabatini	D26/134
D125,317 S *	2/1941	Sabatini	D26/88
D228,147 S *	8/1973	Boros	D26/88
4,286,310 A	8/1981	Brainkel et al.	
D429,363 S *	8/2000	Hsieh	D26/87
D436,210 S *	1/2001	Miranda	D26/81
D445,527 S *	7/2001	Nicholas	D26/84
D447,591 S *	9/2001	Hsu	D26/84
D491,302 S	6/2004	Krieger et al.	

D559,425 S *	1/2008	Porter	D26/87
D576,329 S	9/2008	Soon	
D646,412 S	10/2011	Taiga	
D648,055 S	11/2011	Poon	
8,080,972 B2	12/2011	Smith	
D652,554 S	1/2012	Leung et al.	
D670,244 S	11/2012	Workman et al.	
8,434,894 B2	5/2013	Workman et al.	
D693,765 S	11/2013	Workman et al.	
D694,938 S *	12/2013	Dolan	D26/87
D697,028 S	1/2014	Workman et al.	
9,182,088 B2	11/2015	Workman et al.	

(Continued)

OTHER PUBLICATIONS

Globe Electric 10in. 1-Light Vintage Edison Over Bulb Cage Pendant model No. 64834. Found at homedepot.com visited Jan. 17, 2019. (Year: 2019).*

(Continued)

Primary Examiner — Clare E Heflin

(74) *Attorney, Agent, or Firm* — Morriss O'Bryant
Compagni Cannon, PLLC

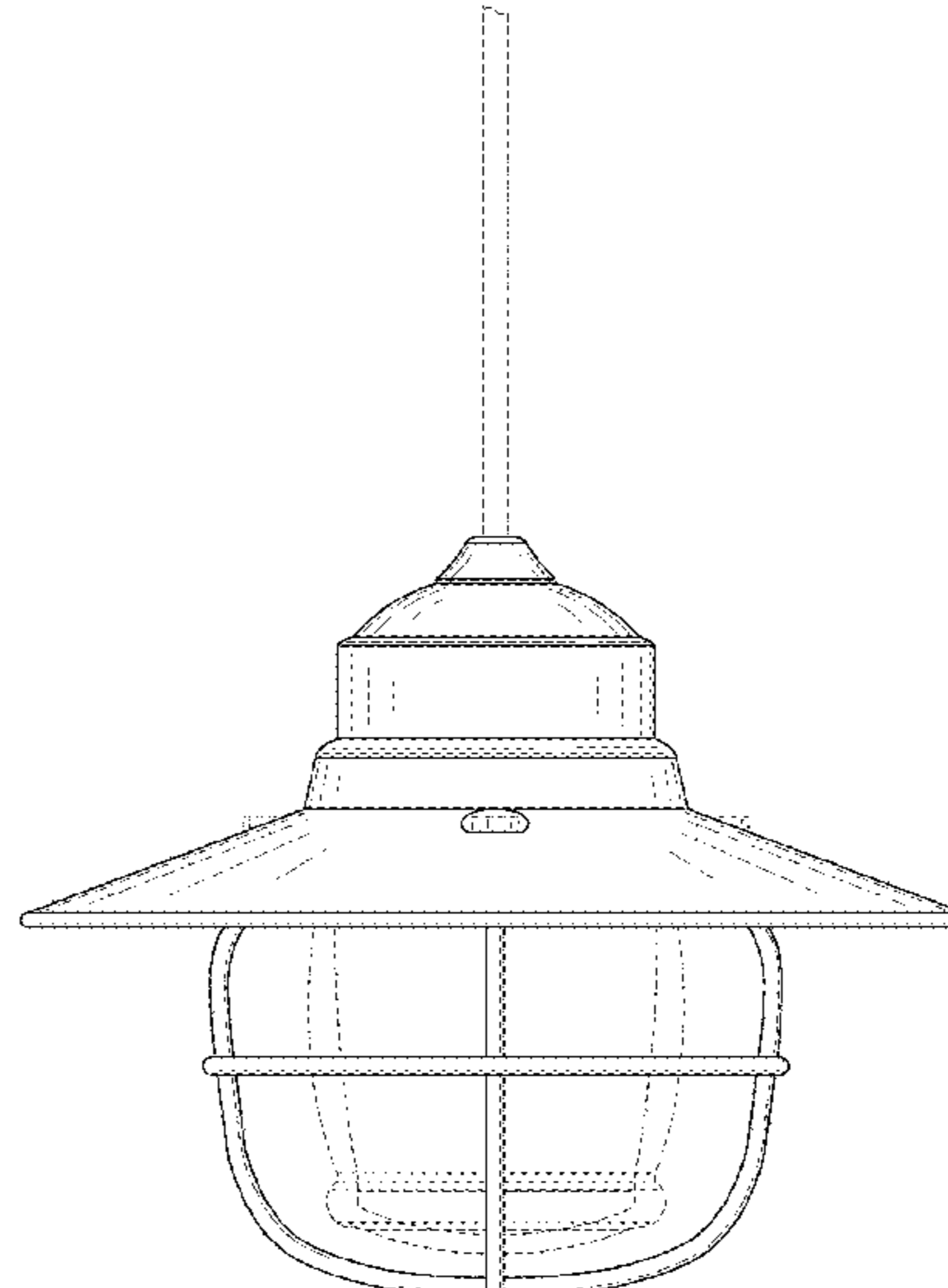
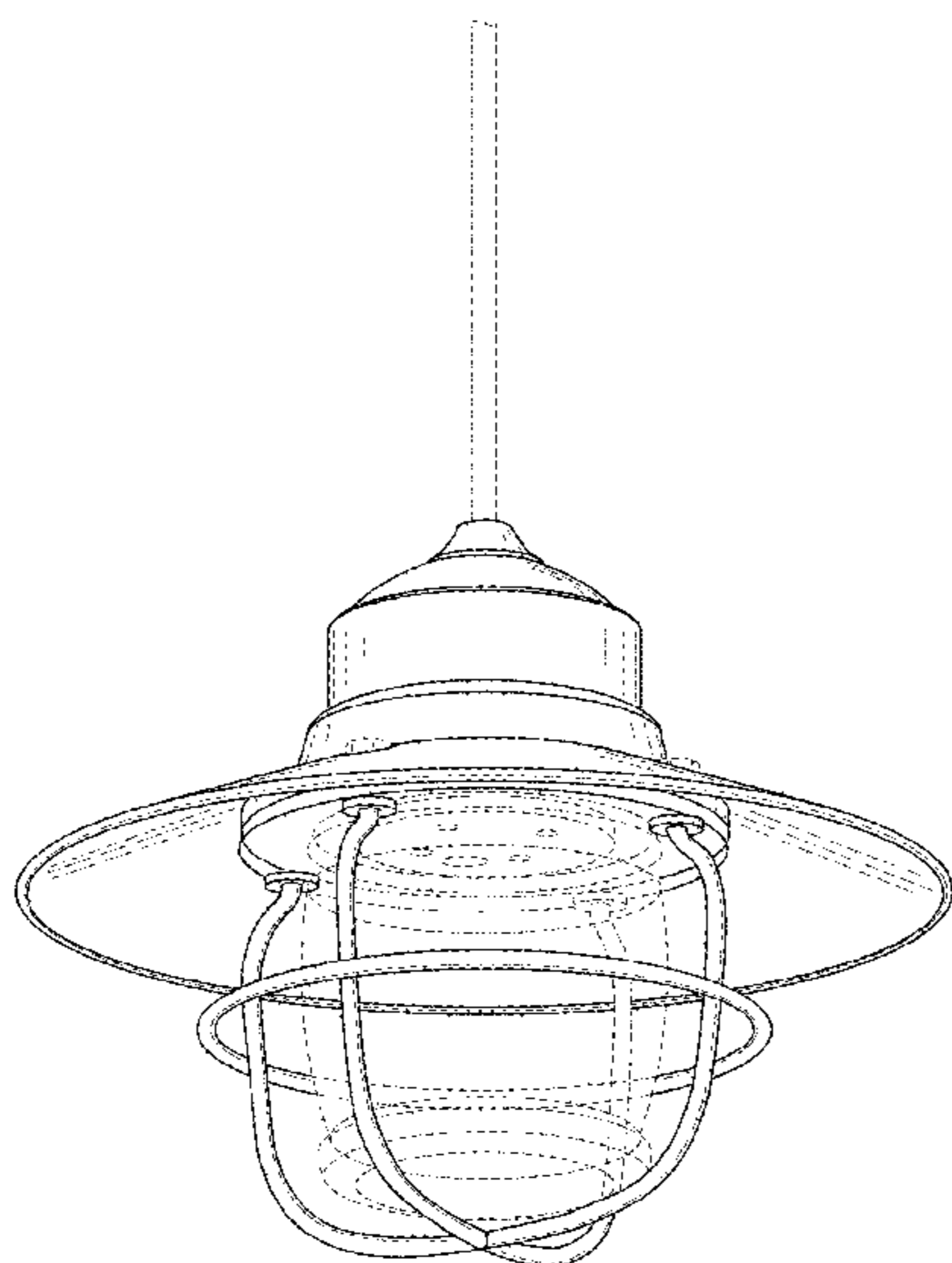
(57) **CLAIM**

The ornamental design for a pendant light, as shown and described.

DESCRIPTION

FIG. 1 is a bottom perspective view of a pendant light showing the present invention;
FIG. 2 is a front side view of the pendant light;
FIG. 3 is a back side view of the pendant light;
FIG. 4 is a left side view of the pendant light;
FIG. 5 is a right side view of the pendant light;
FIG. 6 is a top plan view of the pendant light; and,
FIG. 7 is a bottom plan view of the pendant light.
The broken lines shown in the drawings illustrate portions of the pendant light and form no part of the claimed design.

1 Claim, 7 Drawing Sheets



(56)

References Cited

U.S. PATENT DOCUMENTS

D744,680 S 12/2015 Ma
D754,908 S * 4/2016 Orozco D26/85
D755,432 S * 5/2016 Orozco D26/82
D773,703 S 12/2016 Krantz et al.
D774,228 S 12/2016 Workman et al.
D787,104 S 5/2017 Wu
D809,687 S 2/2018 Krantz et al.
D810,979 S 2/2018 Krantz et al.
2002/0034073 A1 3/2002 Halasz
2005/0265035 A1 12/2005 Brass et al.
2010/0053942 A1 3/2010 Tarter et al.
2010/0084997 A1 4/2010 Oberzeir et al.
2011/0116254 A1 5/2011 Workman et al.
2014/0321106 A1 10/2014 Workman et al.
2016/0195235 A1 7/2016 Workman et al.
2017/0038035 A1* 2/2017 Liu F21V 21/08

OTHER PUBLICATIONS

IWHD Black Loft Industrial Pendant Light SKU: 32911259060
found at imall.com visited Jan. 17, 2019. (Year: 2019).*

* cited by examiner

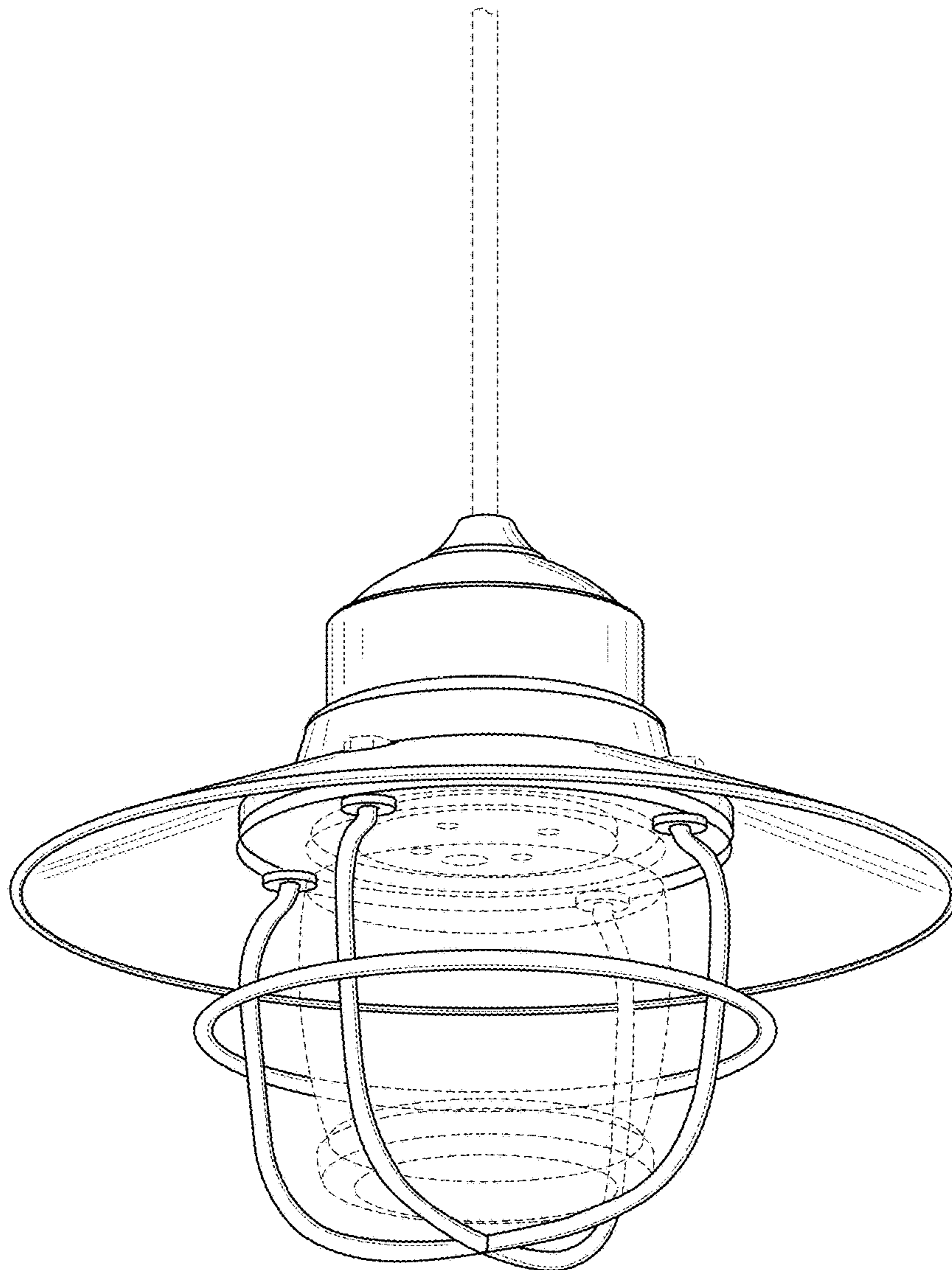


FIG. 1

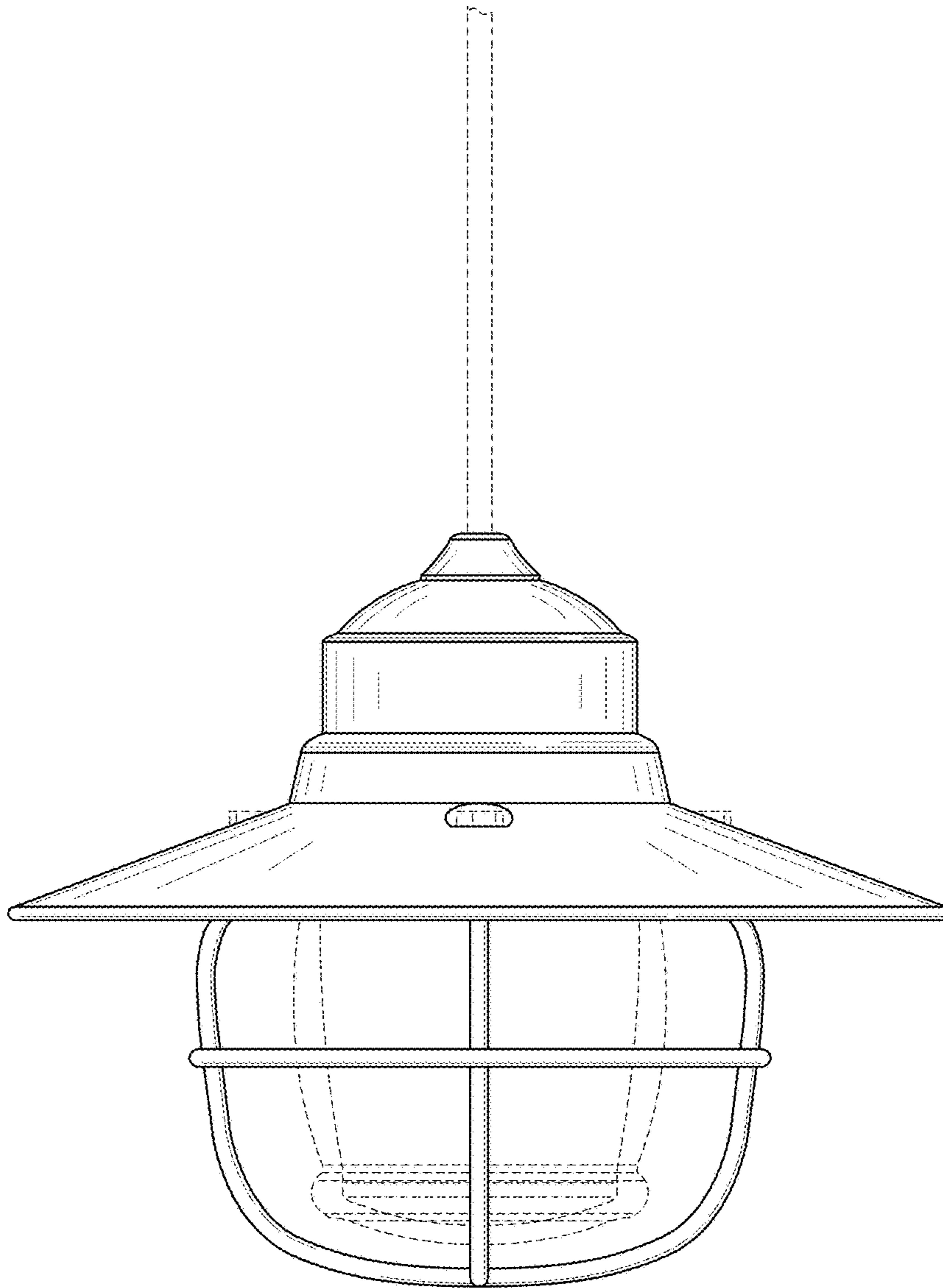


FIG. 2

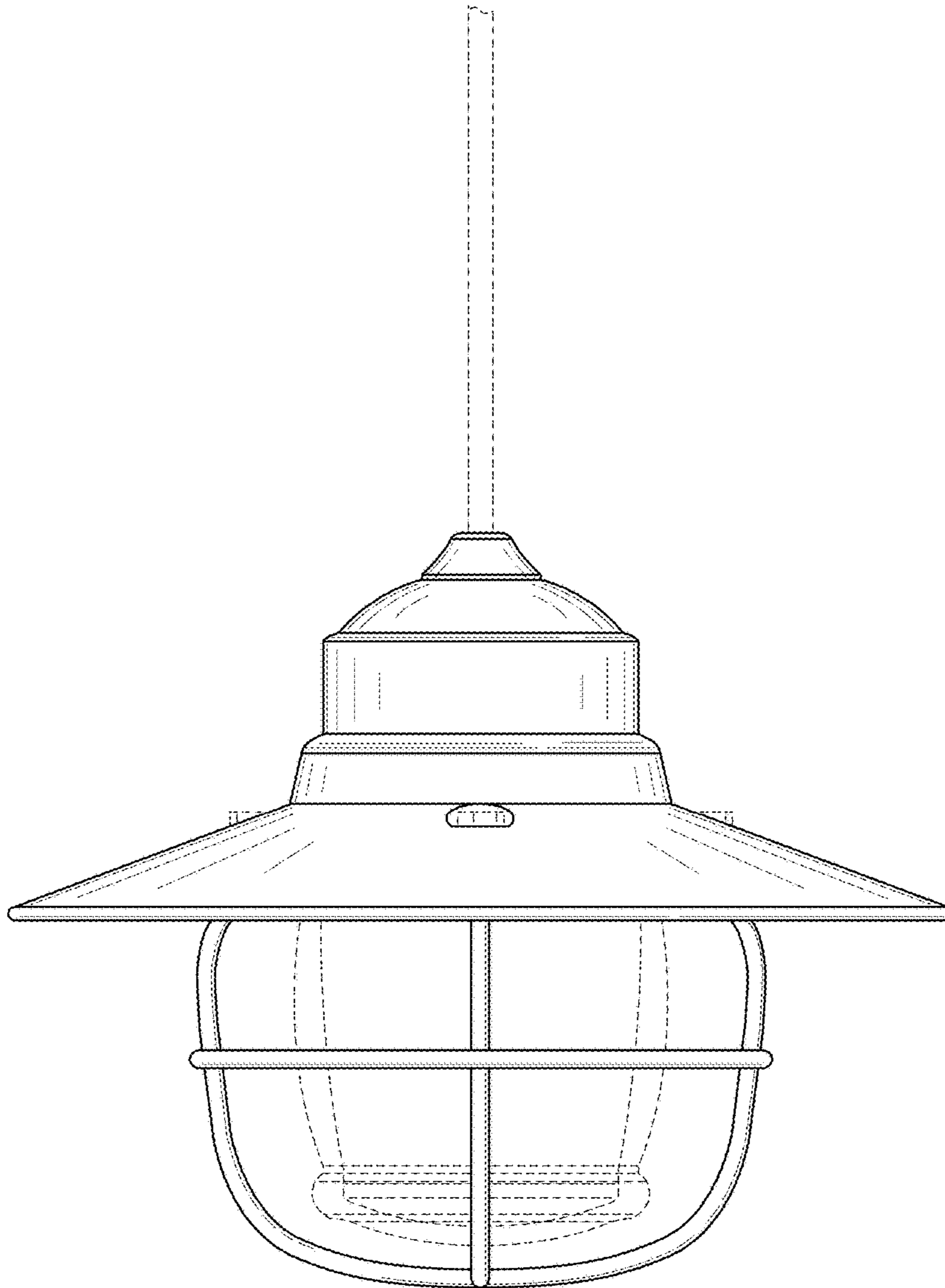


FIG. 3

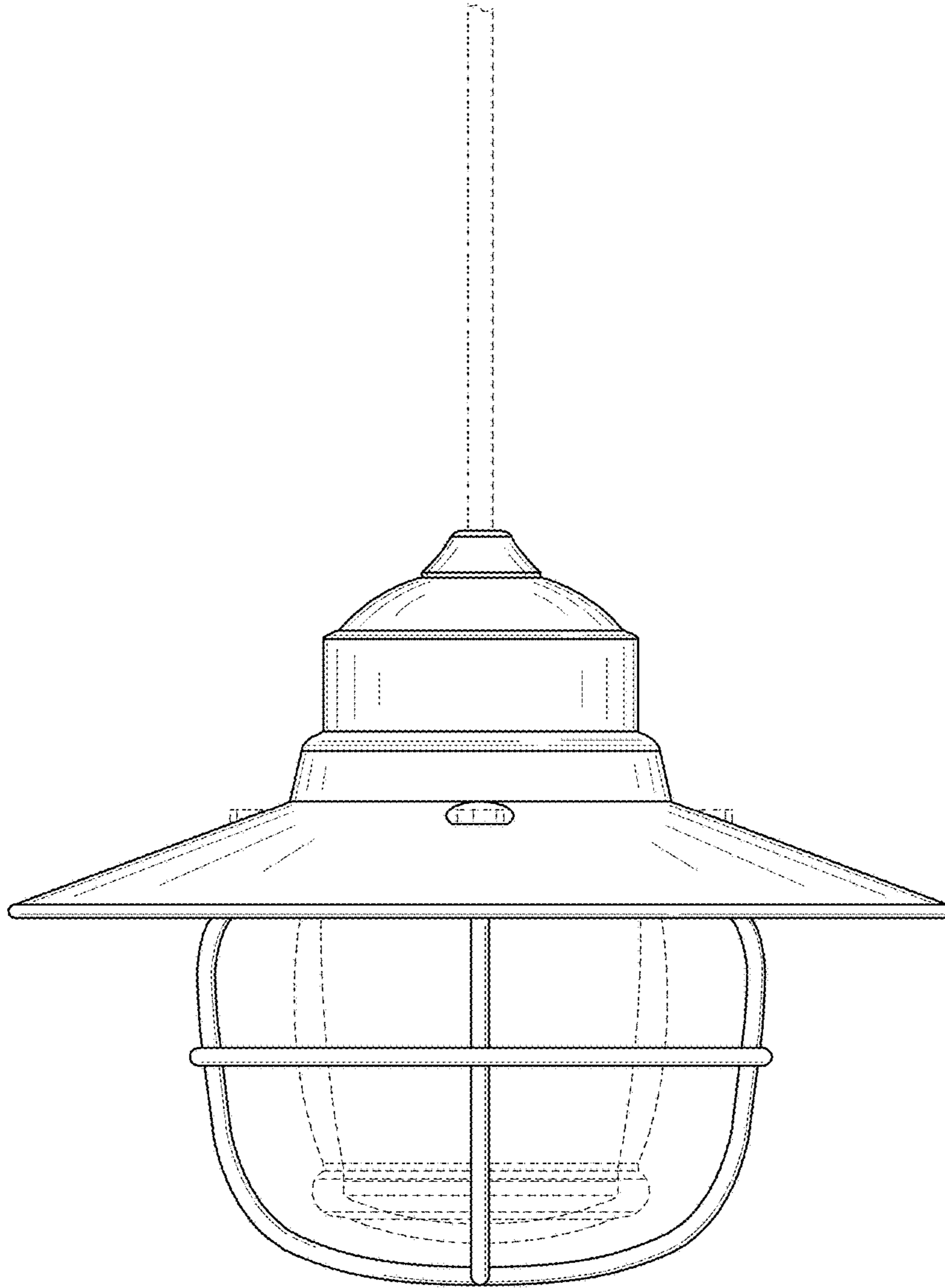


FIG. 4

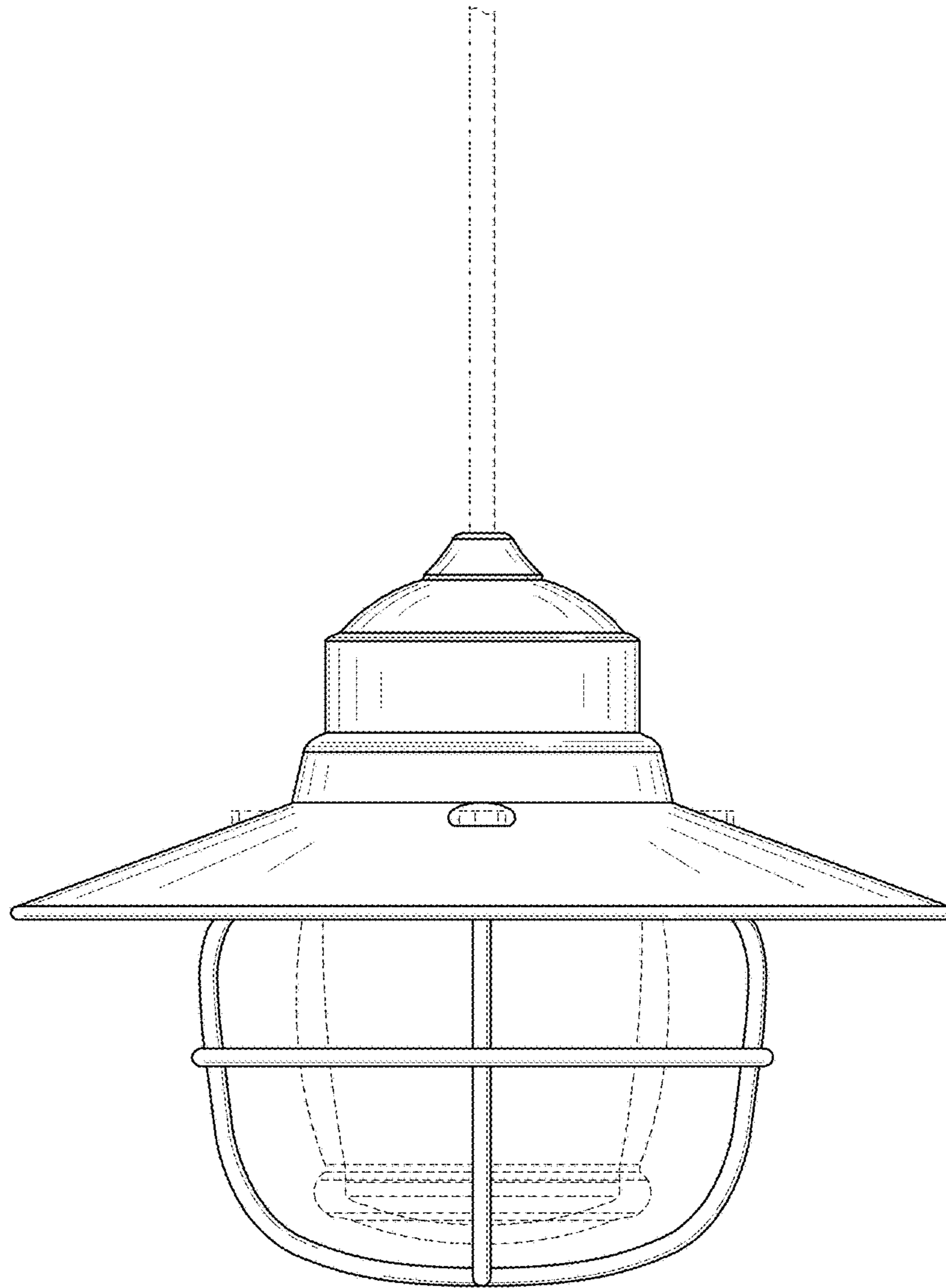


FIG. 5

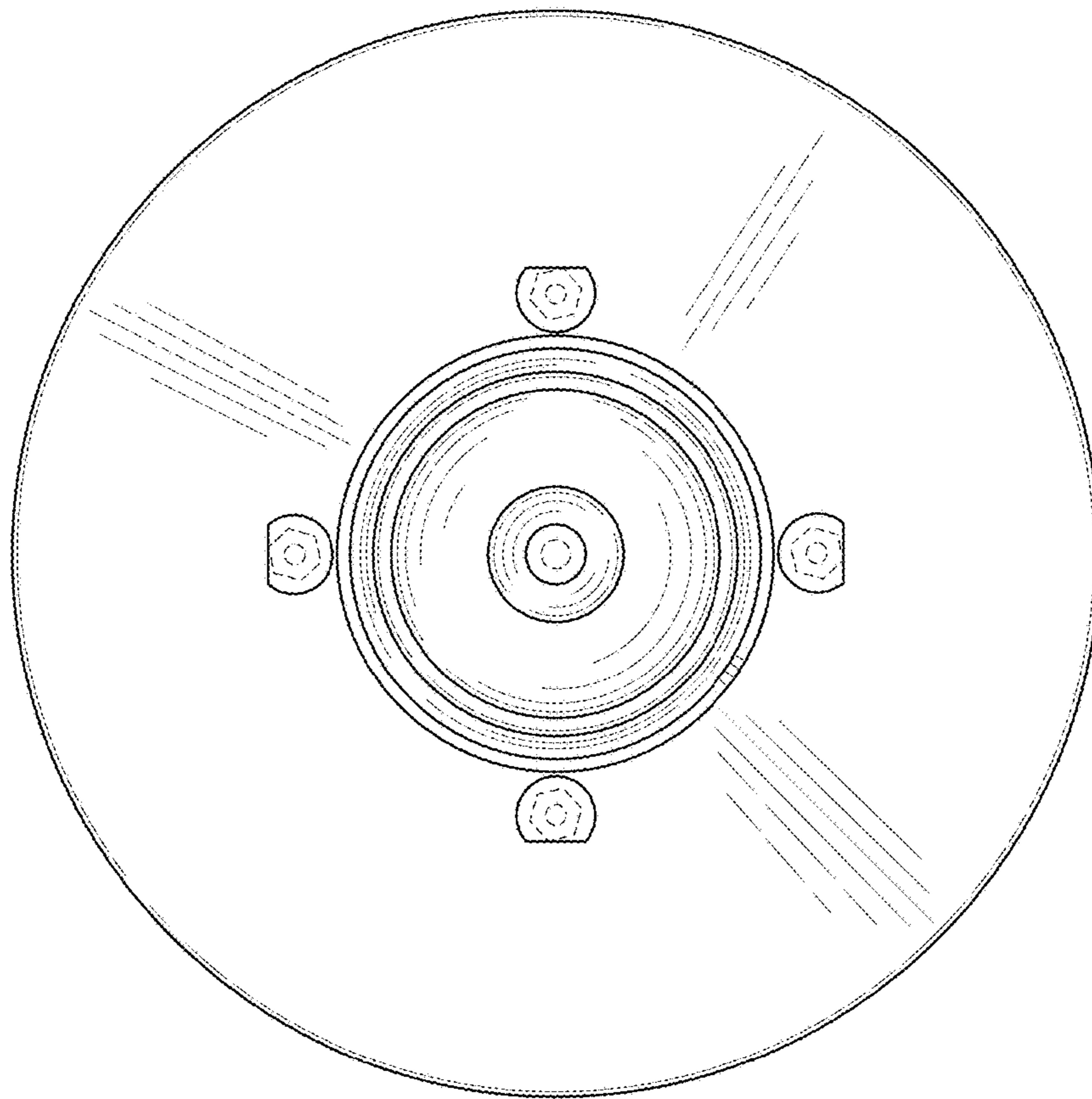


FIG. 6

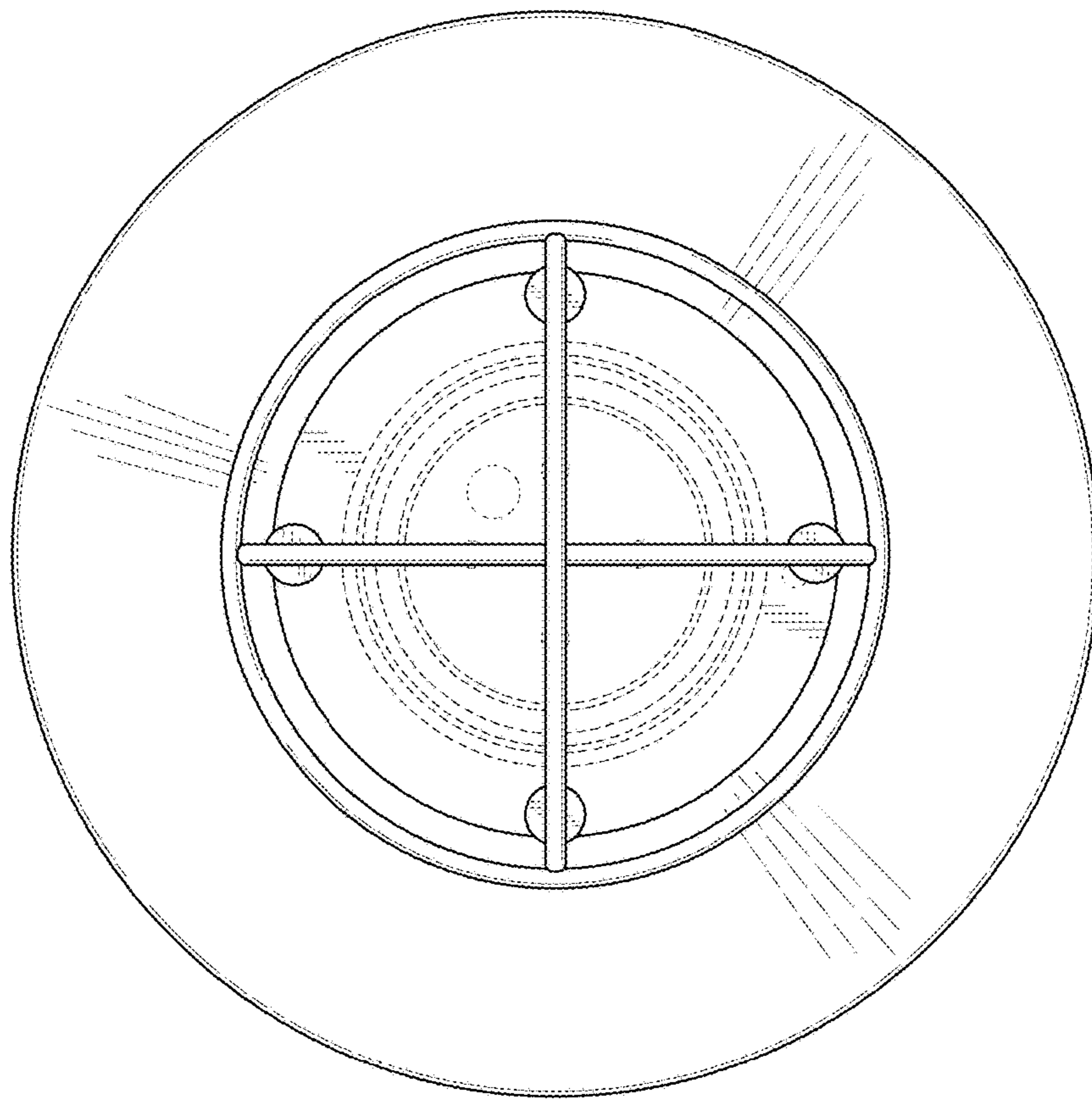


FIG. 7