



US00D851809S

(12) **United States Design Patent**
Brannon

(10) **Patent No.:** **US D851,809 S**
(45) **Date of Patent:** **** Jun. 18, 2019**

- (54) **ENCLOSED LIGHTING DEVICE**
- (71) Applicant: **Hubbell Incorporated**, Shelton, CT (US)
- (72) Inventor: **Derek Brannon**, Greenville, SC (US)
- (73) Assignee: **Hubbell Incorporated**, Shelton, CT (US)
- (**) Term: **15 Years**
- (21) Appl. No.: **29/653,724**
- (22) Filed: **Jun. 18, 2018**

D620,182 S	7/2010	Sabernig	
D635,288 S *	3/2011	Zolotykh	D26/71
7,988,327 B1	8/2011	Knoble	
D653,795 S	2/2012	Guercio	
D673,319 S *	12/2012	Guercio	D26/87
D729,429 S	5/2015	Arndt	
D729,432 S	5/2015	Newton	
D739,586 S	9/2015	Hong	
D767,195 S	9/2016	Pollack, Jr.	
D821,017 S *	6/2018	Brannon	D26/87
10,145,555 B2 *	12/2018	Ohai	F21V 31/005
2012/0080992 A1 *	4/2012	Huang	F21V 29/75 313/46
2012/0195041 A1	8/2012	Fletcher	

Related U.S. Application Data

- (62) Division of application No. 29/587,457, filed on Dec. 13, 2016, now Pat. No. Des. 821,017.
- (51) **LOC (11) Cl.** **26-03**
- (52) **U.S. Cl.**
USPC **D26/87**
- (58) **Field of Classification Search**
USPC D26/72, 80-89, 92
CPC F21S 8/033; F21S 8/036; F21S 8/038;
F21W 2121/004; F21W 2131/107; F21V
15/02
See application file for complete search history.

References Cited

U.S. PATENT DOCUMENTS

D92,636 S	6/1934	Wideroe	
2,259,237 A *	10/1941	Baker	F21V 15/02 362/376
3,004,144 A	10/1961	Agrell	
D359,139 S	6/1995	Kaczmarek	
D487,525 S	3/2004	Hsu	
D538,461 S	3/2007	Broughton	
D541,973 S	5/2007	Dolan	
D574,992 S	8/2008	Citterio	

OTHER PUBLICATIONS

LED Vapor Proof Jelly Jar Light Fixture, Super Bright LEDs, site visited Jan. 9, 2018, available online at <https://www.superbrightleds.com/...ghting/led-vapor-proof-jelly-jar-light-fixture-caged-pendant-mount-light-1800-lumens/4285/#tab/Reviews> (Year: 2018).

* cited by examiner

Primary Examiner — Cathron C Brooks

(74) *Attorney, Agent, or Firm* — Michael Best & Friedrich, LLP

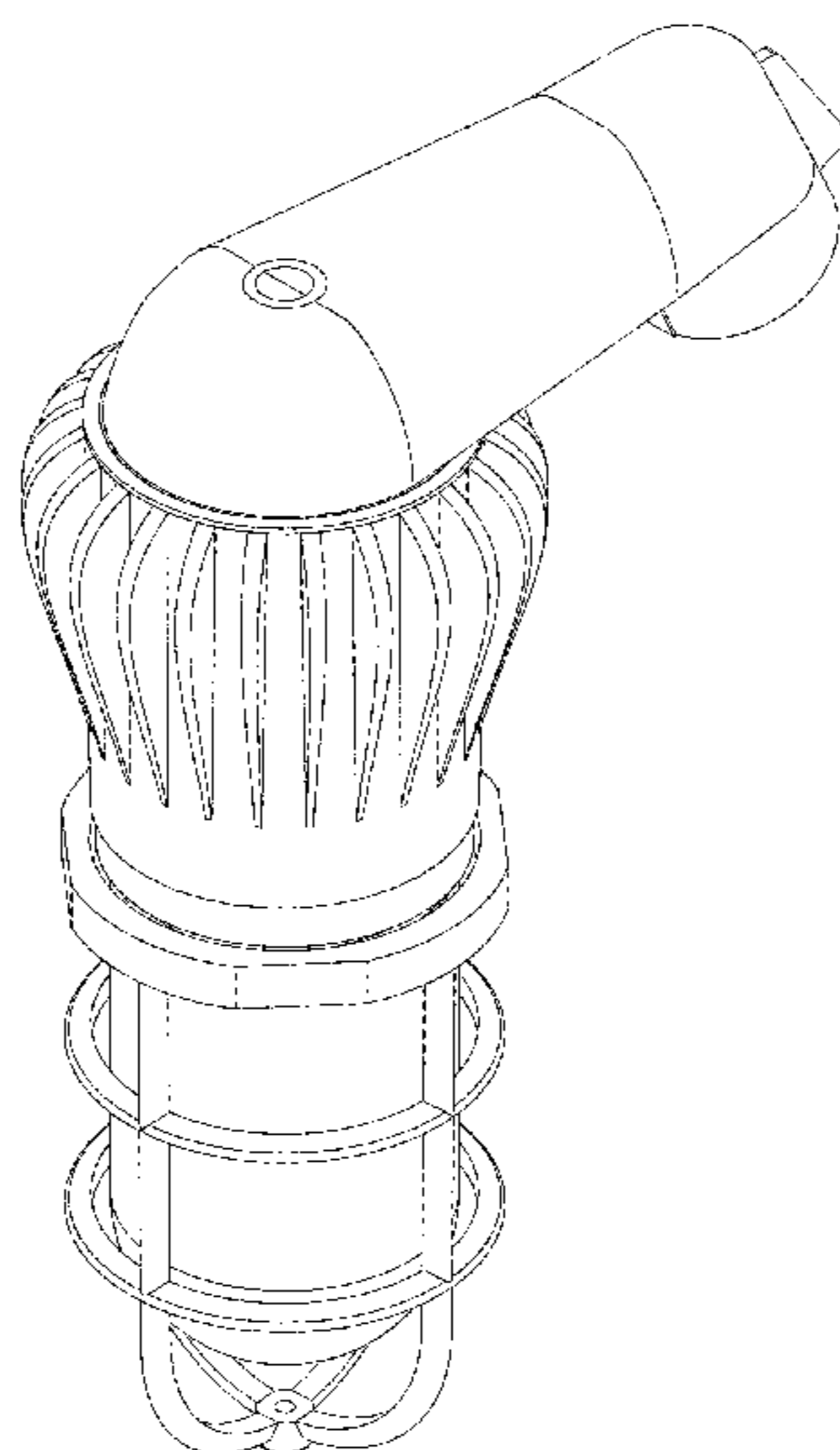
(57) **CLAIM**

The ornamental design for an enclosed lighting device, as shown and described.

DESCRIPTION

FIG. 1 is a perspective view of an embodiment of the design; FIG. 2 is a front view of FIG. 1; FIG. 3 is a rear view of FIG. 1; FIG. 4 is a left side view of FIG. 1; FIG. 5 is a right side view of FIG. 1; FIG. 6 is a top view of FIG. 1; and, FIG. 7 is a bottom view of FIG. 1.

1 Claim, 6 Drawing Sheets



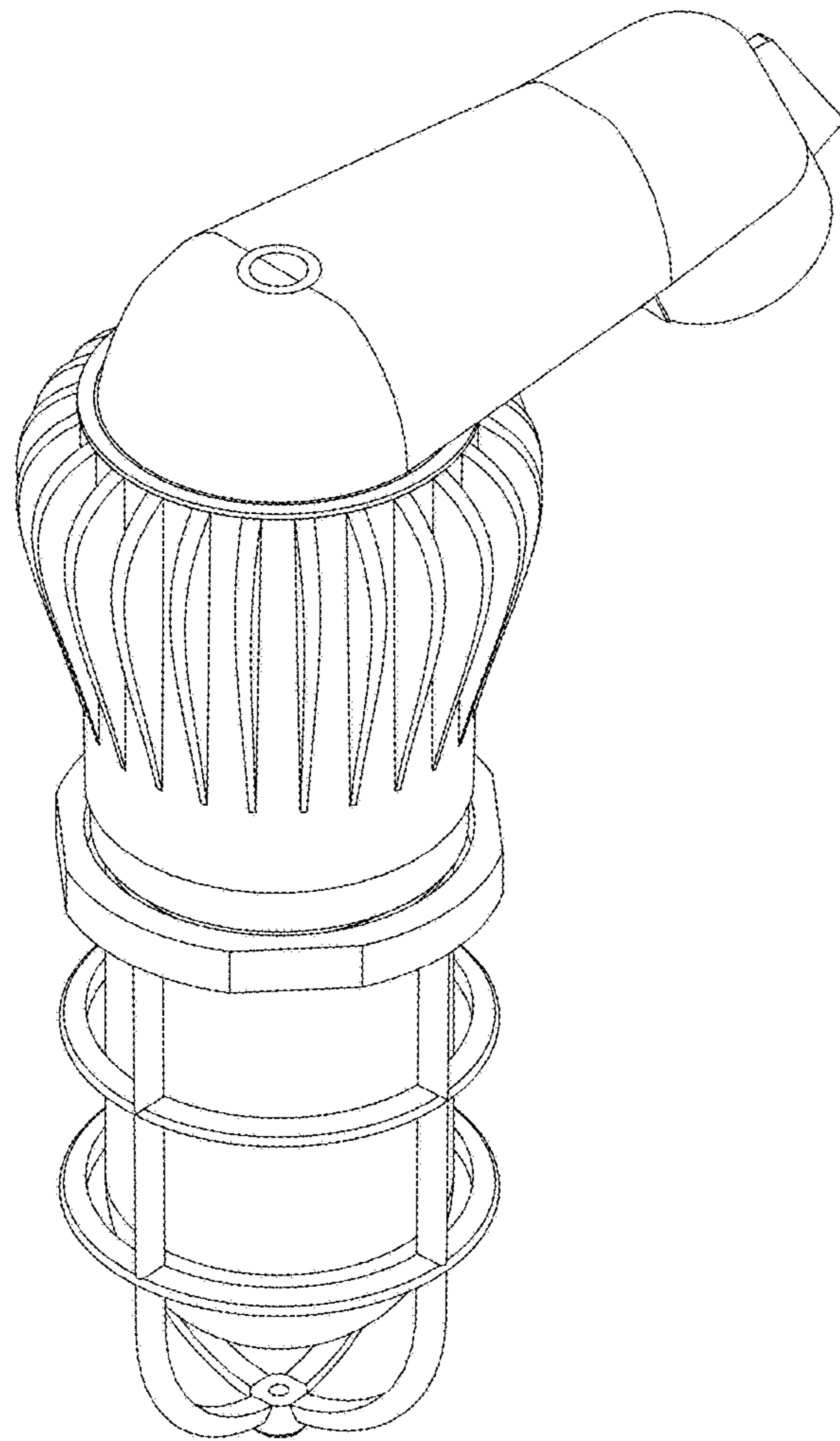


FIG. 1

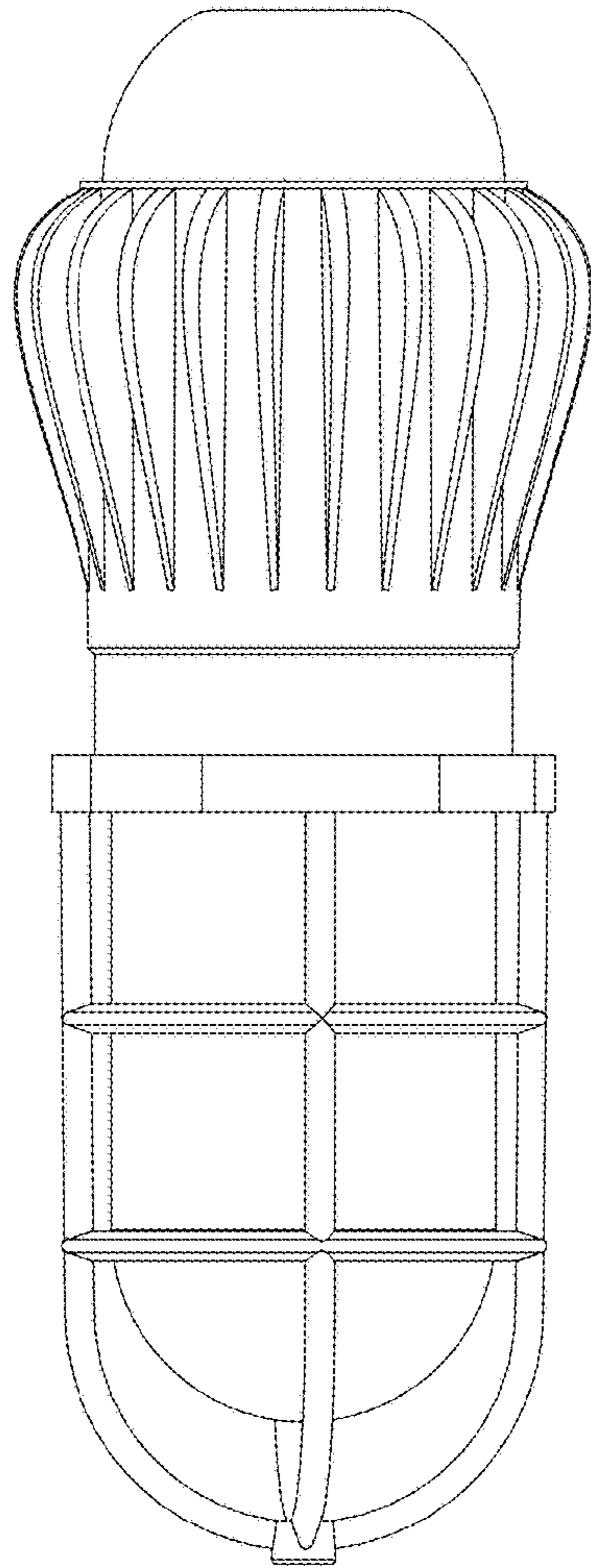


FIG. 2

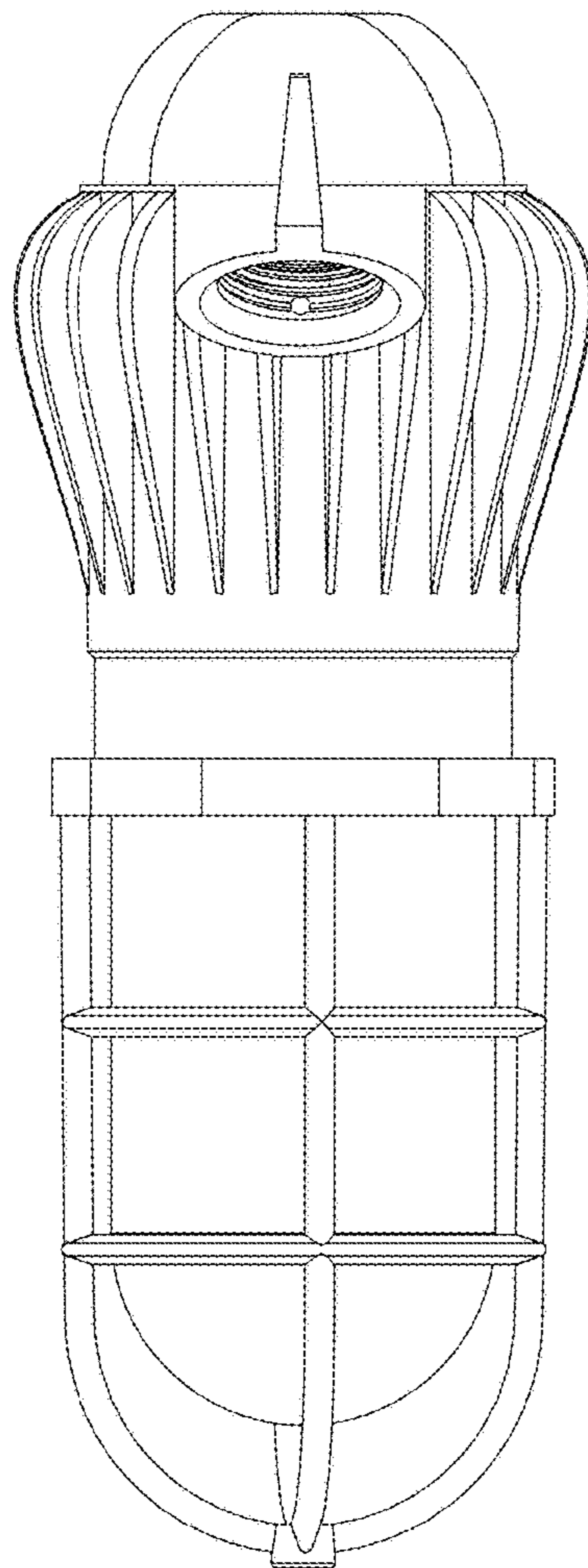


FIG. 3

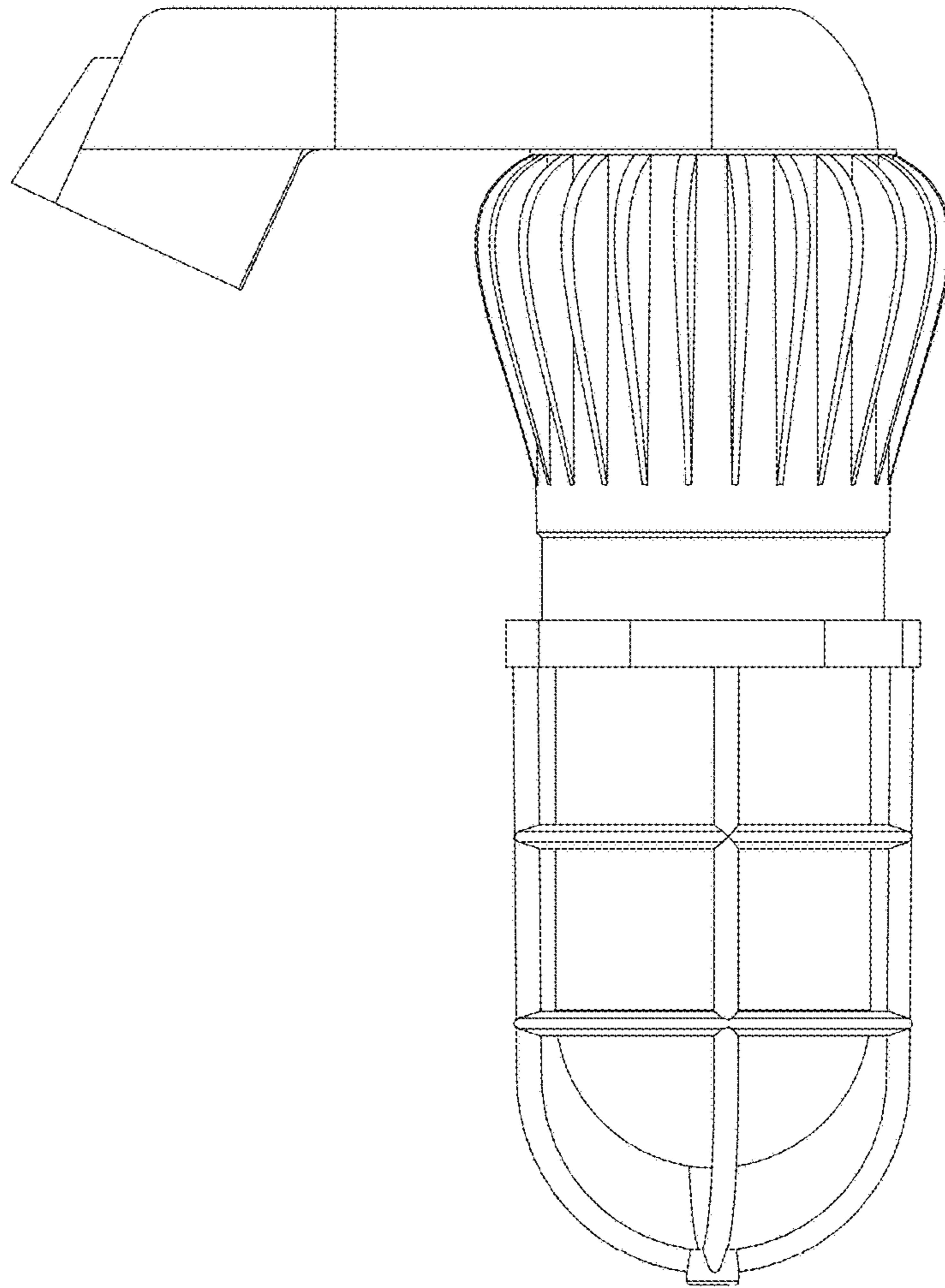


FIG. 4

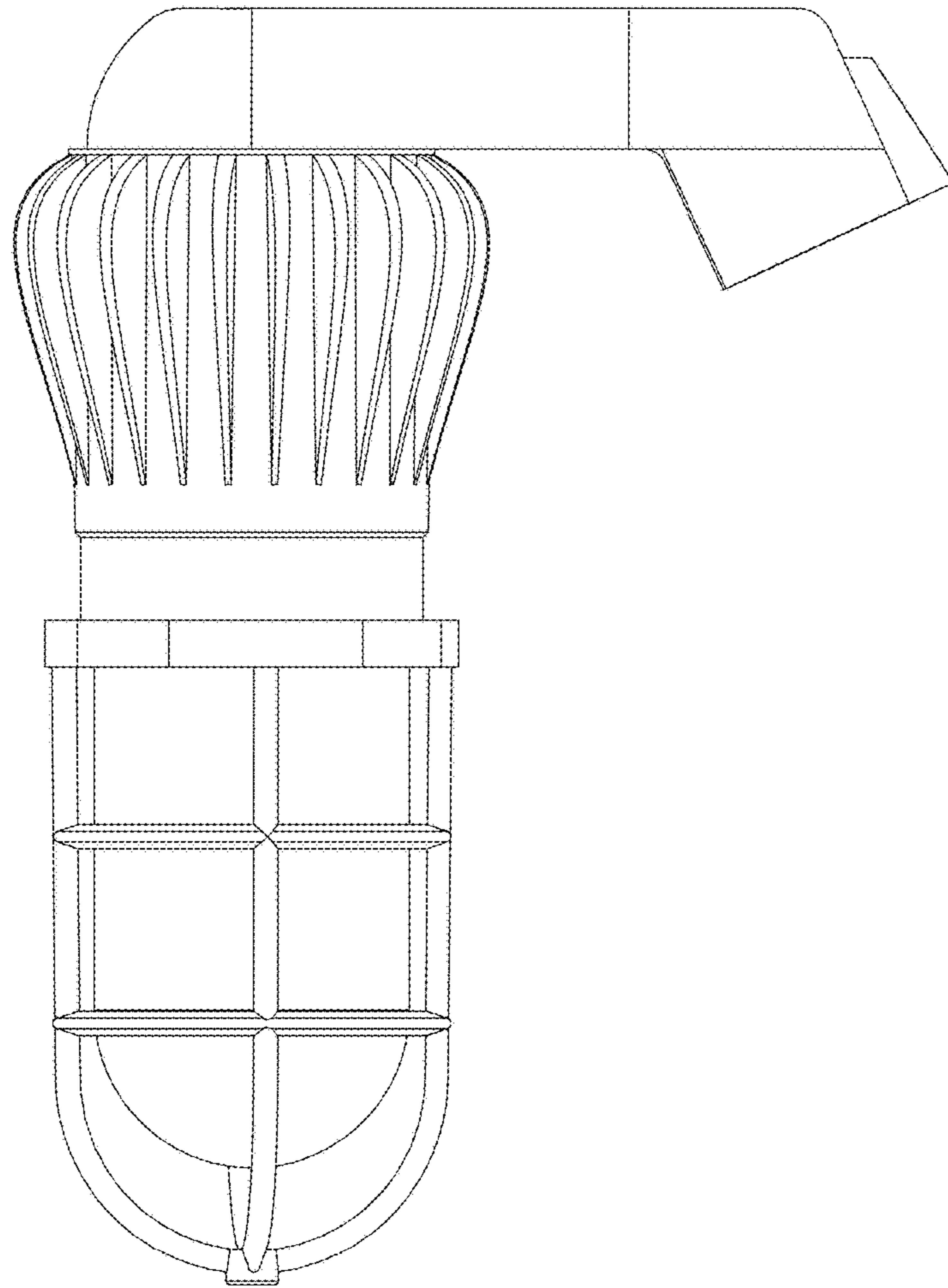


FIG. 5

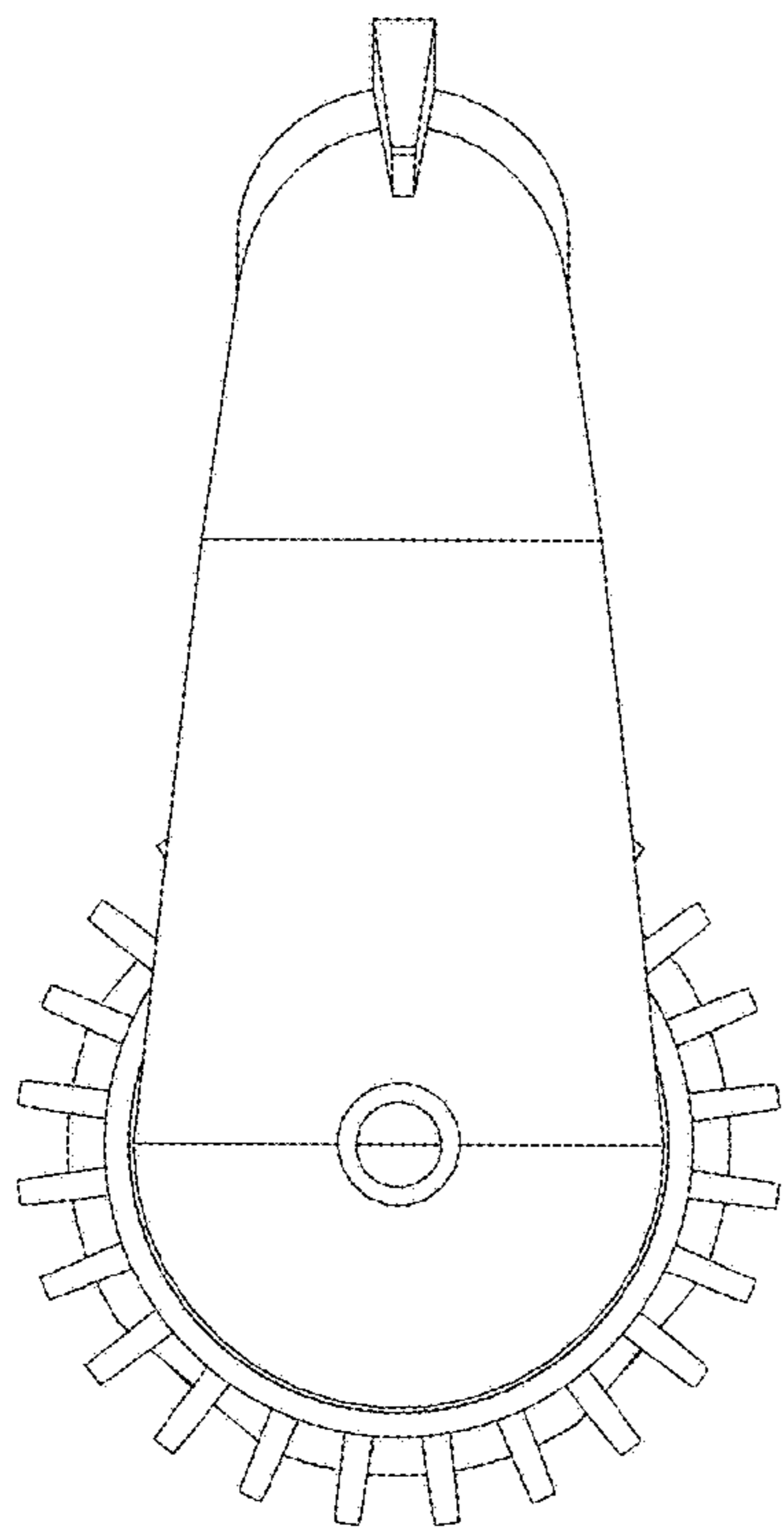


FIG. 6

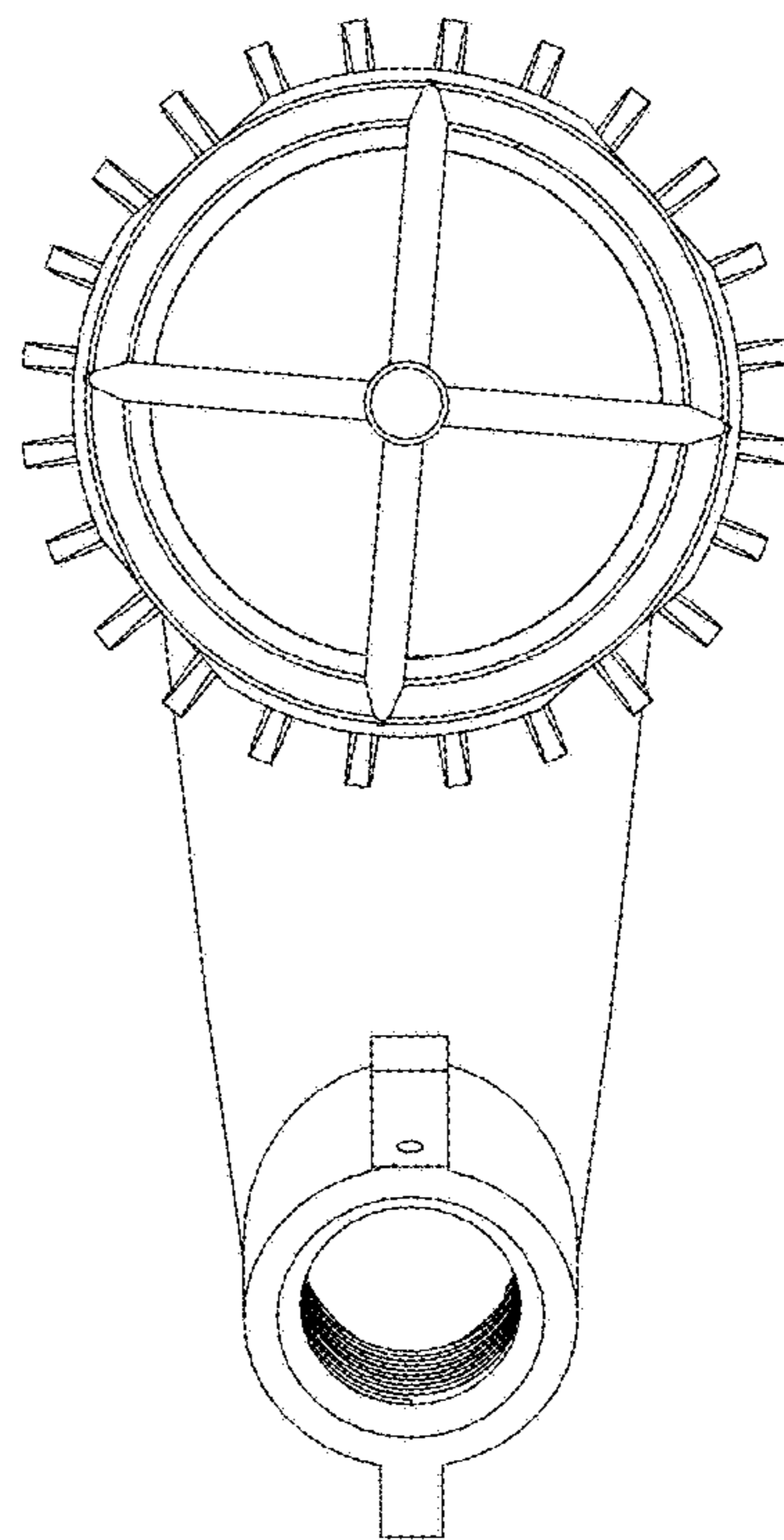


FIG. 7