



US00D851808S

(12) **United States Design Patent** (10) **Patent No.:** **US D851,808 S**  
**Guercio et al.** (45) **Date of Patent:** **\*\* Jun. 18, 2019**

(54) **LIGHT FIXTURE WITH CURVED ARRAY OF FINS**

(71) Applicant: **RAB Lighting Inc.**, Northvale, NJ (US)

(72) Inventors: **Vincenzo Guercio**, Wallkill, NY (US);  
**Wengang Gao**, Northvale, NJ (US)

(73) Assignee: **RAB Lighting Inc.**, Northvale, NJ (US)

(\*\*) Term: **15 Years**

(21) Appl. No.: **29/640,686**

(22) Filed: **Mar. 16, 2018**

**Related U.S. Application Data**

(62) Division of application No. 29/588,130, filed on Dec. 19, 2016, now Pat. No. Des. 823,520.

(51) **LOC (11) Cl.** ..... **26-05**

(52) **U.S. Cl.**  
USPC ..... **D26/85**

(58) **Field of Classification Search**  
USPC ..... D26/72, 85-87, 124  
CPC ..... F21V 1/00; F21V 5/00; F21V 5/02; F21V 5/043; F21V 21/00; F21V 21/02; F21V 7/041; F21V 7/043; F21V 13/04; F21V 29/77; F21S 8/03; F21S 8/033; F21S 8/036; F21S 8/037; F21S 8/04; F21S 9/037; F21W 2131/107  
See application file for complete search history.

(56) **References Cited**

**U.S. PATENT DOCUMENTS**

D114,329 S \* 4/1939 Gregg ..... D26/86  
2,640,913 A 11/1950 Little  
D248,184 S 6/1978 Roberts  
D285,489 S 9/1986 Russell  
D309,791 S 8/1990 Boccato et al.  
D337,846 S 7/1993 Fiorato  
D362,321 S 9/1995 Houssin et al.

D390,999 S \* 2/1998 Gaskins ..... D26/67  
D446,340 S 8/2001 Bradford et al.  
D494,701 S 8/2004 Campbell  
D500,883 S 1/2005 Herst et al.  
D524,673 S 7/2006 Dicke et al.  
D565,232 S \* 3/2008 Butler ..... D26/85

(Continued)

**FOREIGN PATENT DOCUMENTS**

TW 201112862 4/2011

**OTHER PUBLICATIONS**

Cooper Lighting, Lumark Impact Cylinder, Product Page, Jul. 2, 2007, Peachtree City, GA.

(Continued)

*Primary Examiner* — Cathron C Brooks

(74) *Attorney, Agent, or Firm* — Frost Brown Todd LLC; Douglas G. Gallagher; Kevin C. Oschman

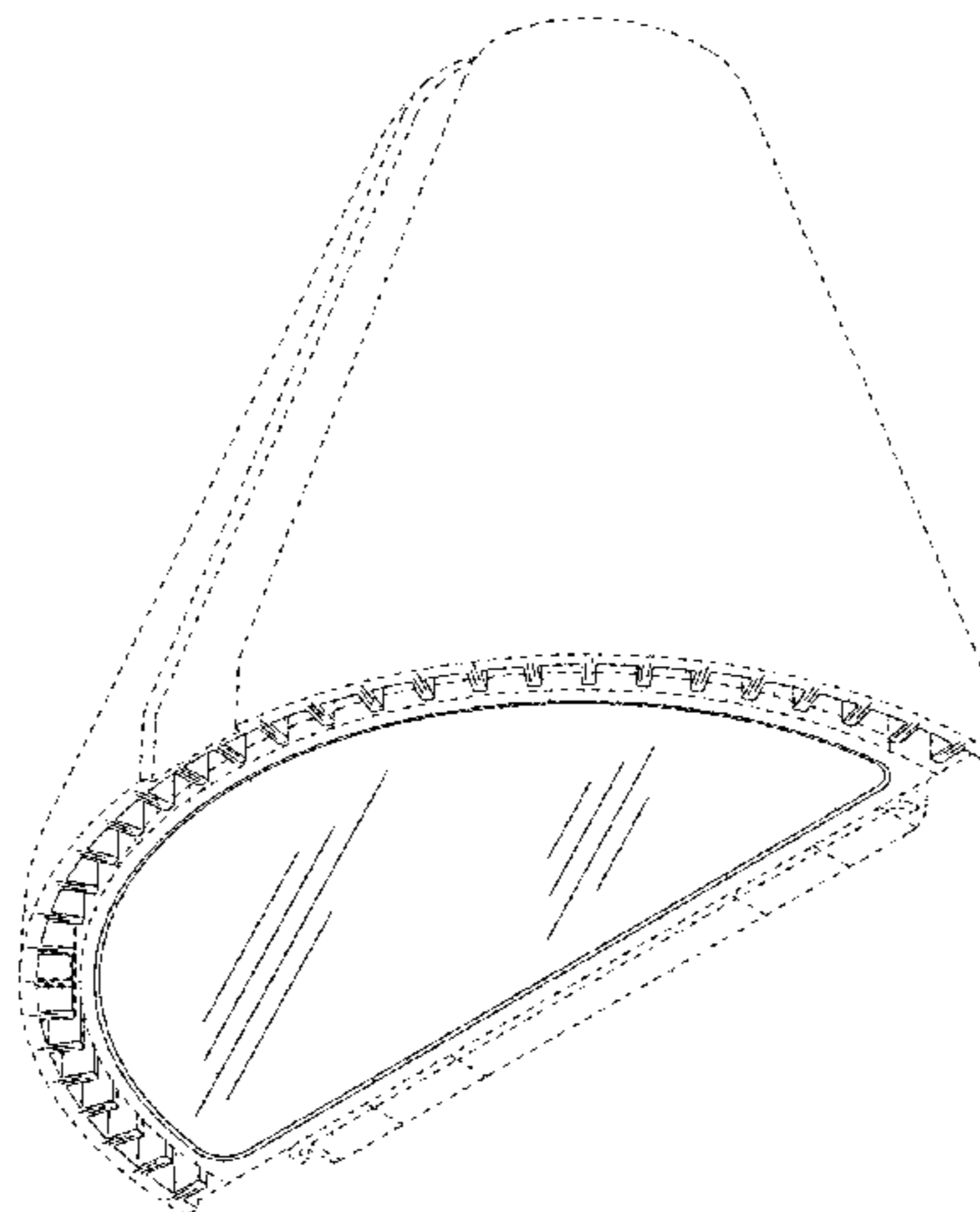
(57) **CLAIM**

The ornamental design for a light fixture with curved array of fins, substantially as shown and described.

**DESCRIPTION**

FIG. 1 is a bottom-left perspective view of the new design; FIG. 2 is a front view of the new design; FIG. 3 is a left side view of the new design; FIG. 4 is a rear-right perspective view of the new design; FIG. 5 is a rear view of the new design; FIG. 6 is a top view of the new design; FIG. 7 is a bottom view of the new design; and, FIG. 8 is a top-right perspective view of the new design. The broken lines shown in the drawings are for the purposes of illustrating portions that form no part of the claimed design. The right side view is a mirror image of the left side view in FIG. 3 and is therefore omitted.

**1 Claim, 7 Drawing Sheets**



(56)

**References Cited**

U.S. PATENT DOCUMENTS

D567,426	S	4/2008	Chiu	
D570,516	S	6/2008	Orellana	
D577,146	S	9/2008	Haugard et al.	
D592,798	S	5/2009	Chandler	
D610,296	S	2/2010	Boissevain et al.	
D619,550	S *	7/2010	Hwang .....	D13/179
D620,459	S *	7/2010	Huang .....	D13/179
D634,470	S	3/2011	Hsieh	
D653,377	S	1/2012	Guercio	
D664,703	S	7/2012	Yu	
D677,822	S *	3/2013	Yu .....	D26/85
D681,864	S	5/2013	Guercio et al.	
D691,320	S	10/2013	Guercio et al.	
D715,477	S *	10/2014	Yu .....	D26/85
9,765,949	B2	9/2017	Shen et al.	
2006/0164837	A1	7/2006	Utip	
2009/0002978	A1 *	1/2009	Tran .....	F21S 2/00 362/223
2015/0330605	A1 *	11/2015	Pijlman .....	F21S 8/085 362/309
2016/0169743	A1	6/2016	Buckley	
2016/0195256	A1	7/2016	Schwarz et al.	

OTHER PUBLICATIONS

Ruud Lighting Inc., Direct Mount 16" Full Cutoff Wall Pack, GWCO-16 Series, Product Page, Feb. 23, 2007, Racine, Wisconsin.  
 Ziga Co. Ltd., The Mixture of Light Source, Yungho City, Taiwan.  
 RAB Lighting Inc., Slim LED Wallpack, LED Outdoor Summer 2013 Catalog.  
 Notice of Allowance for U.S. Appl. No. 29/588,130, dated Apr. 5, 2018.

\* cited by examiner

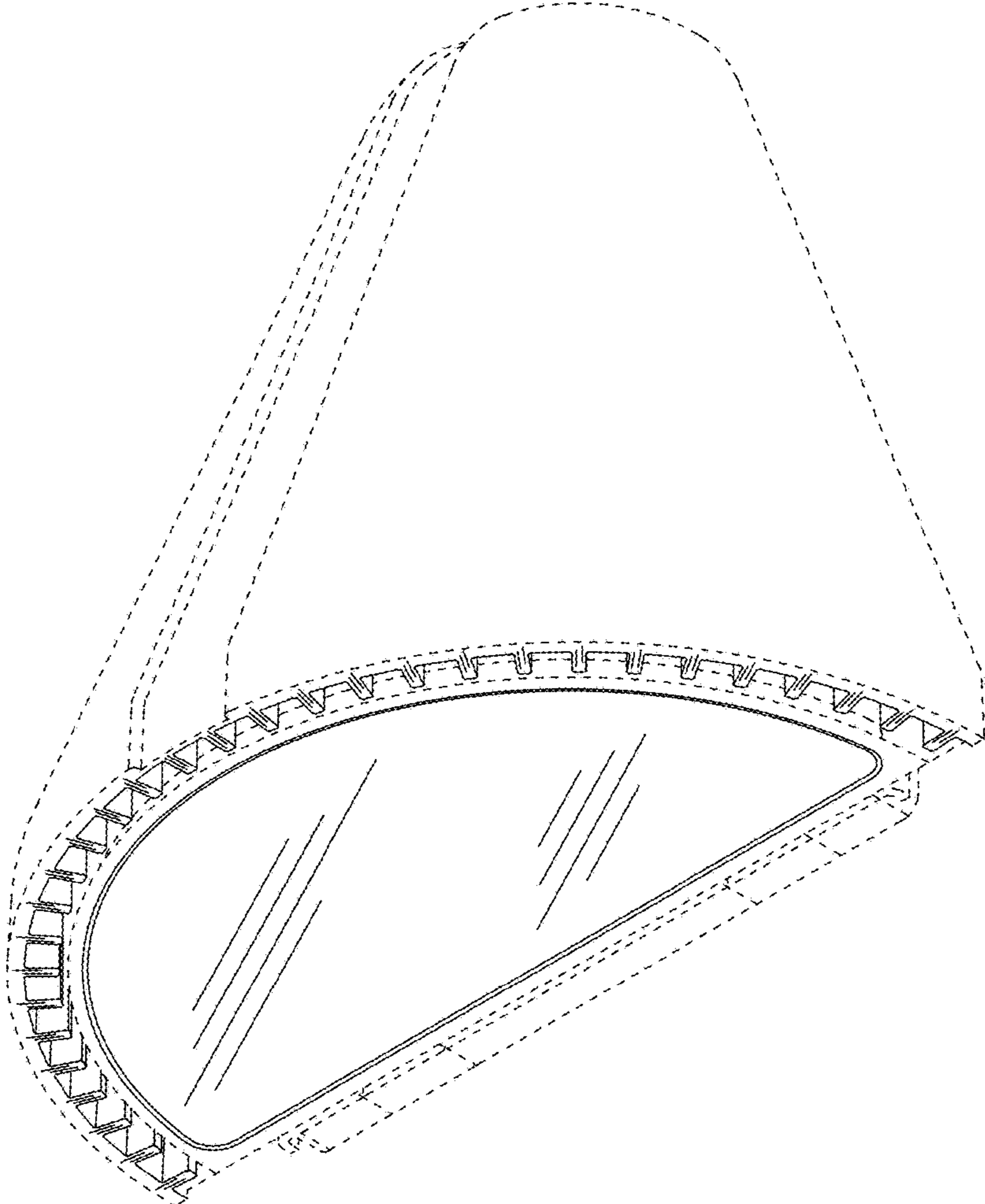


FIG. 1

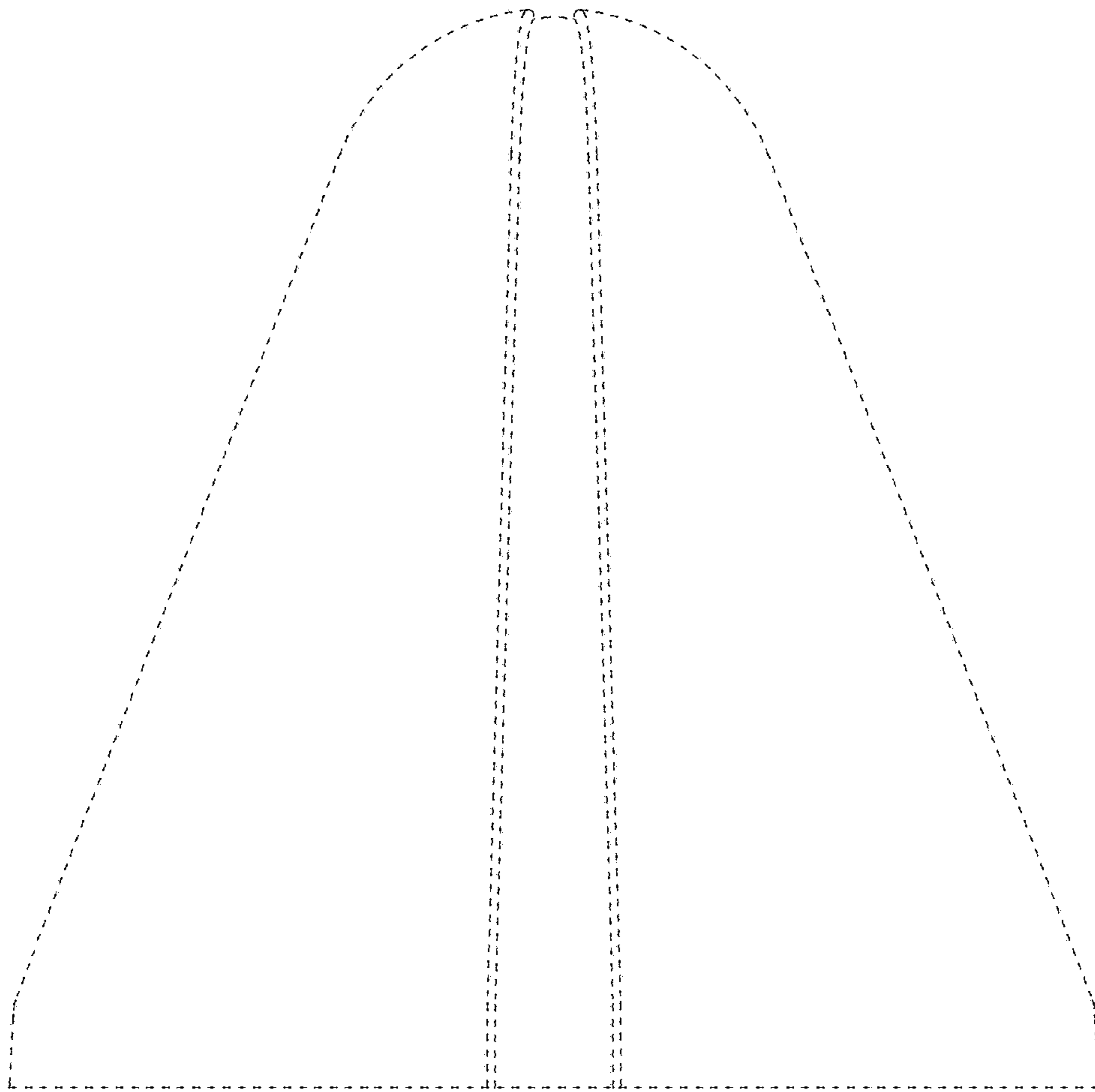


FIG. 2

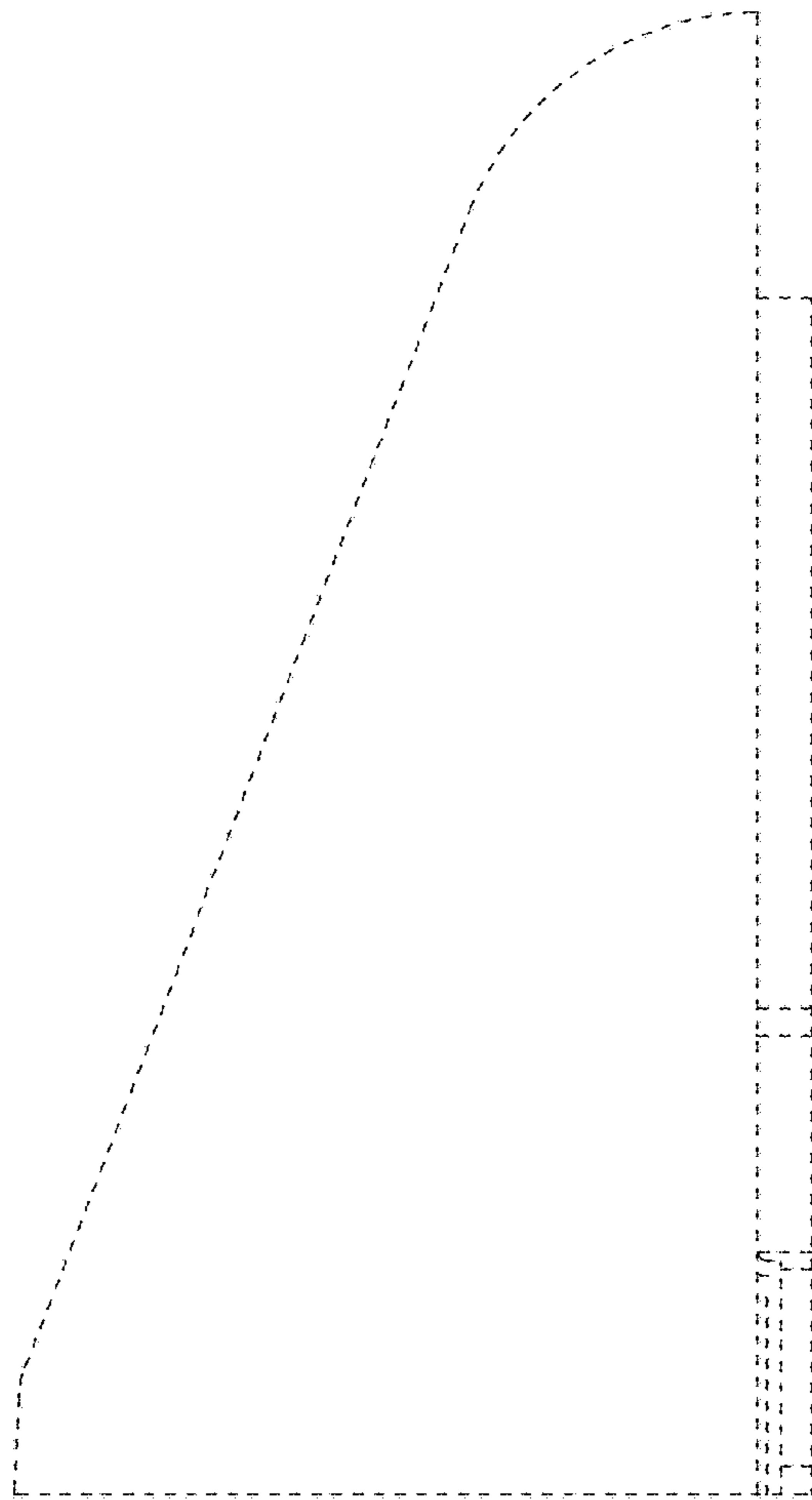


FIG. 3

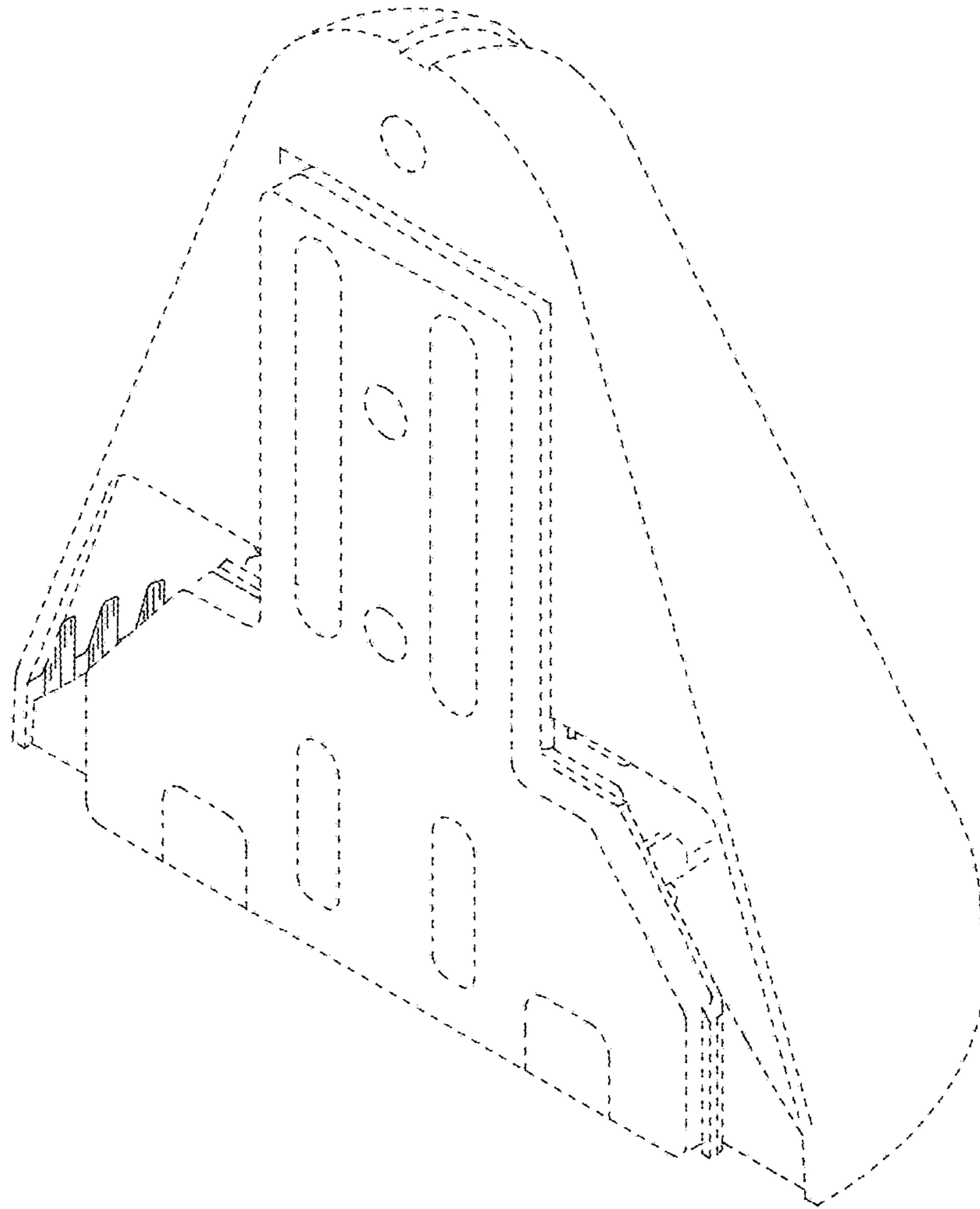


FIG. 4

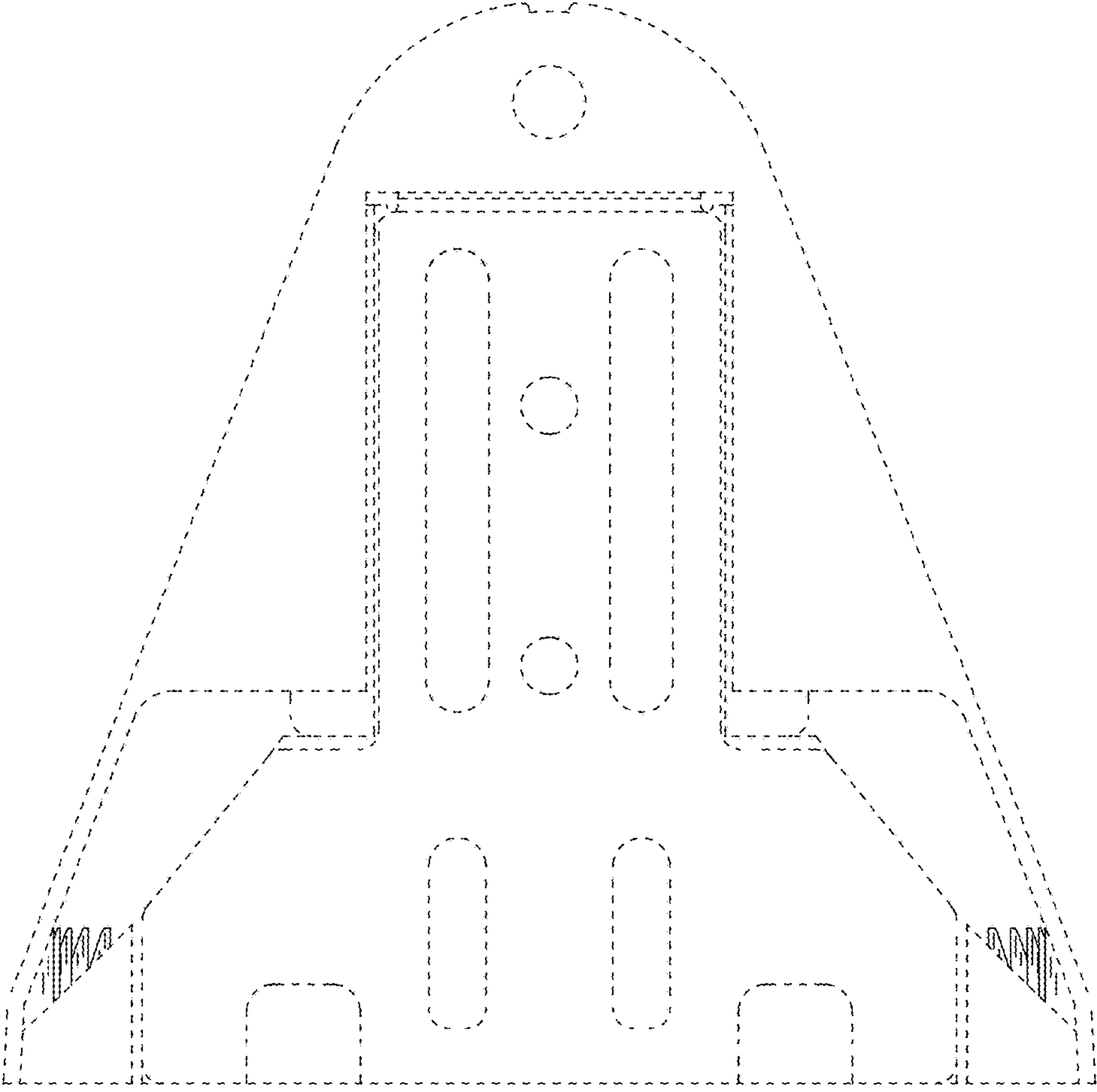


FIG. 5

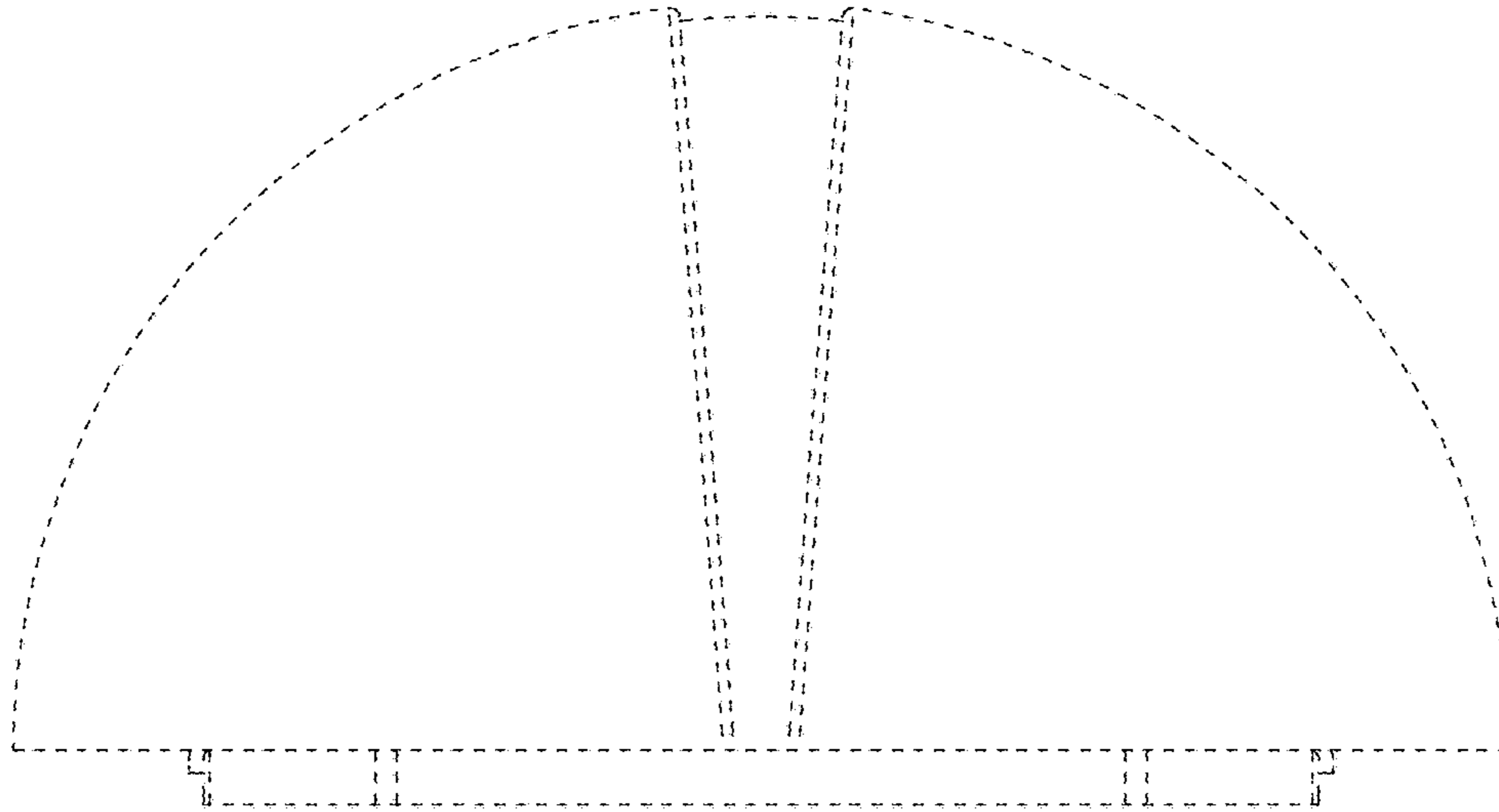


FIG. 6

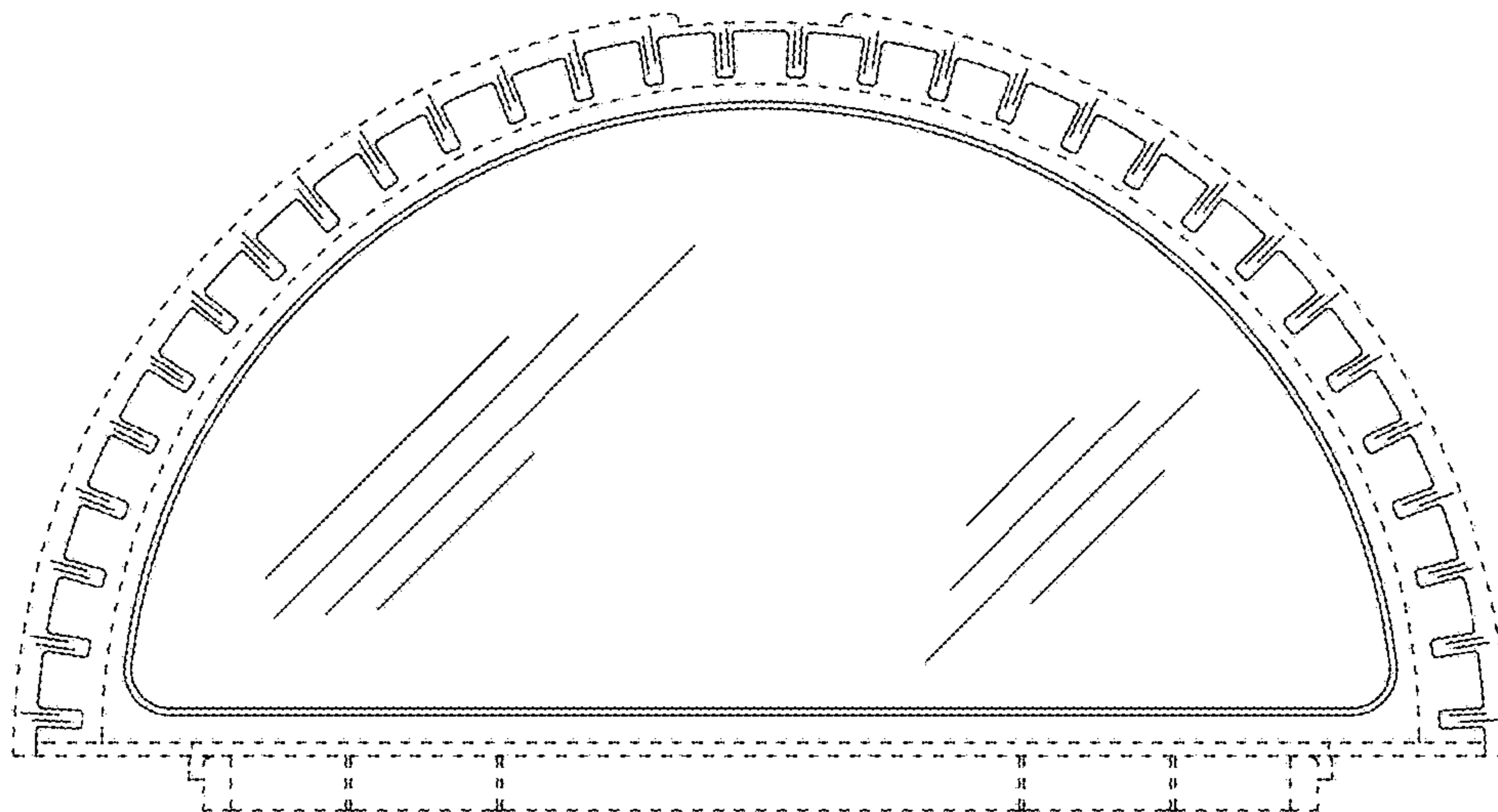


FIG. 7



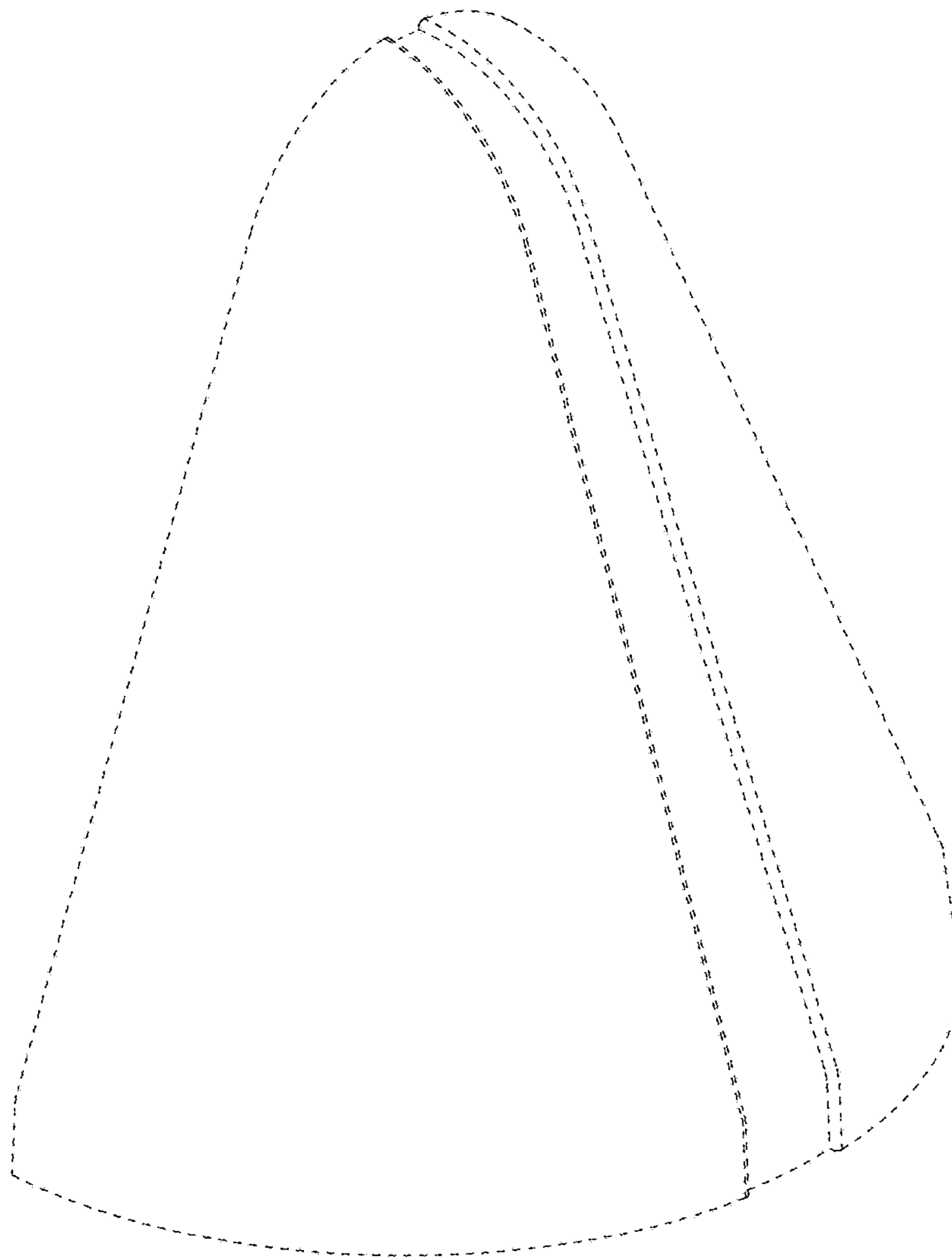


FIG. 8