



US00D851807S

(12) **United States Design Patent**  
**Wu**

(10) **Patent No.:** **US D851,807 S**

(45) **Date of Patent:** **\*\* Jun. 18, 2019**

(54) **MOTION SENSOR LED NIGHT LIGHT**

(71) Applicant: **Xiaojun Wu**, Guangdong (CN)

(72) Inventor: **Xiaojun Wu**, Guangdong (CN)

(73) Assignee: **Bin Liu**, Fuxiang New Village,  
Yangming Town, Yuyao, Zhejiang (CN)

(\*\*) Term: **15 Years**

(21) Appl. No.: **29/631,162**

(22) Filed: **Dec. 28, 2017**

(51) **LOC (11) Cl.** ..... **26-03**

(52) **U.S. Cl.**  
USPC ..... **D26/85**

(58) **Field of Classification Search**  
USPC ..... D26/72, 85, 89, 120; D10/106.6, 106.8  
CPC .... F21S 8/03; F21S 8/033; F21S 8/036; F21S  
8/037; F21S 9/022; F21S 9/024; F21S  
9/03; F21S 9/035; F21S 9/037; F21W  
2131/107; G08B 13/193  
See application file for complete search history.

(56) **References Cited**

**U.S. PATENT DOCUMENTS**

D120,772 S \* 5/1940 Arenberg ..... D26/120  
D160,791 S \* 11/1950 Kushner ..... D26/85  
D225,370 S \* 12/1972 Peasley ..... D26/85

D249,291 S \* 9/1978 Pemberton ..... D26/85  
D496,487 S \* 9/2004 Rhee ..... D26/89  
7,918,596 B2 \* 4/2011 Frank ..... B60Q 1/32  
362/241  
D668,375 S \* 10/2012 Daniels ..... D26/89  
D669,624 S \* 10/2012 Daniels ..... D26/89  
D674,524 S \* 1/2013 Davies ..... D26/28  
D728,144 S \* 4/2015 Recker ..... D26/85  
D751,752 S \* 3/2016 Dodge ..... D26/120  
D753,331 S \* 4/2016 Gough ..... D26/85  
D769,509 S \* 10/2016 Chen ..... D26/89  
D773,103 S \* 11/2016 Recker ..... D26/89  
D830,607 S \* 10/2018 Recker ..... D26/85  
D832,487 S \* 10/2018 Sieczkowski ..... D26/89

\* cited by examiner

*Primary Examiner* — Clare E Heflin

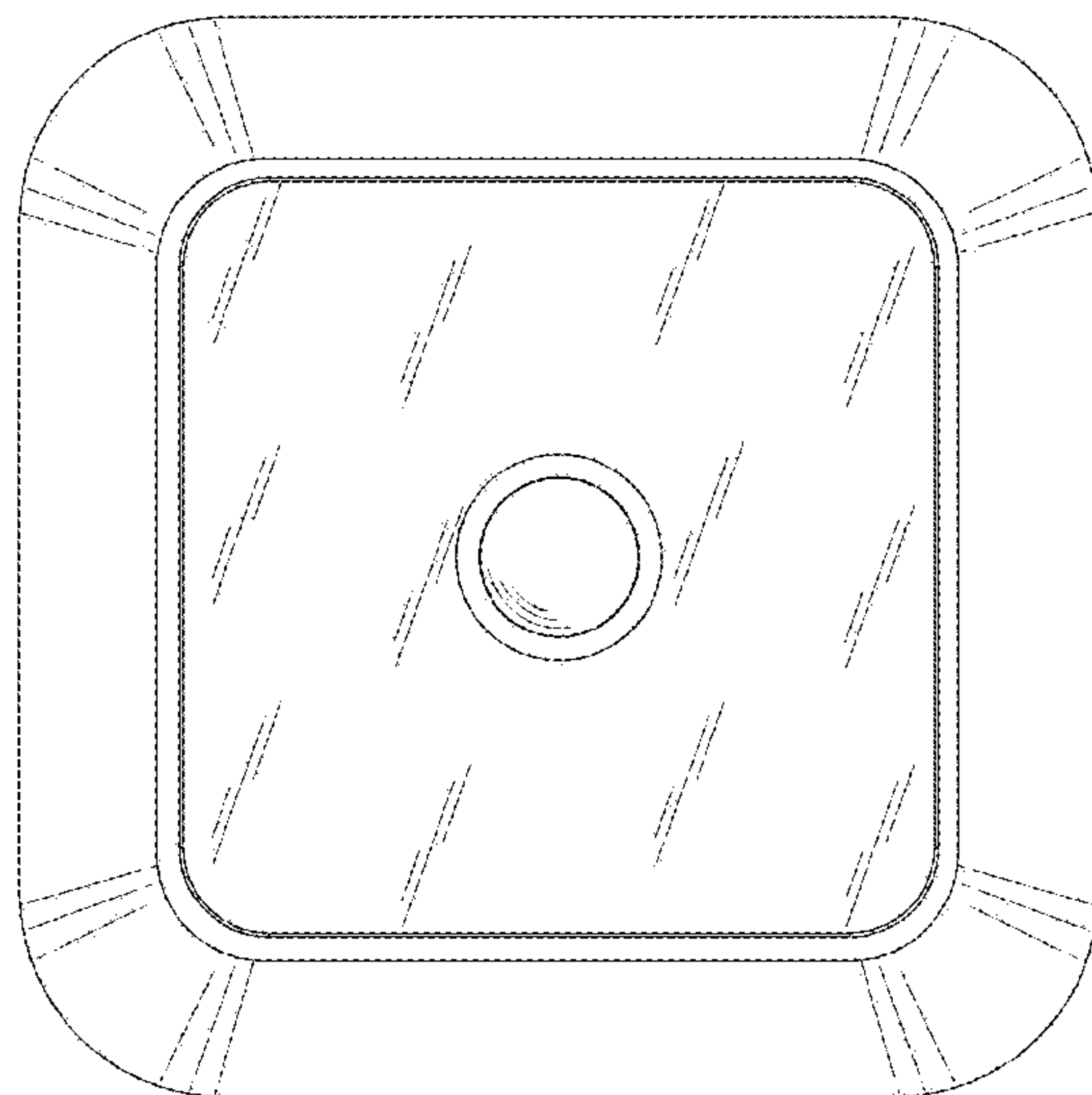
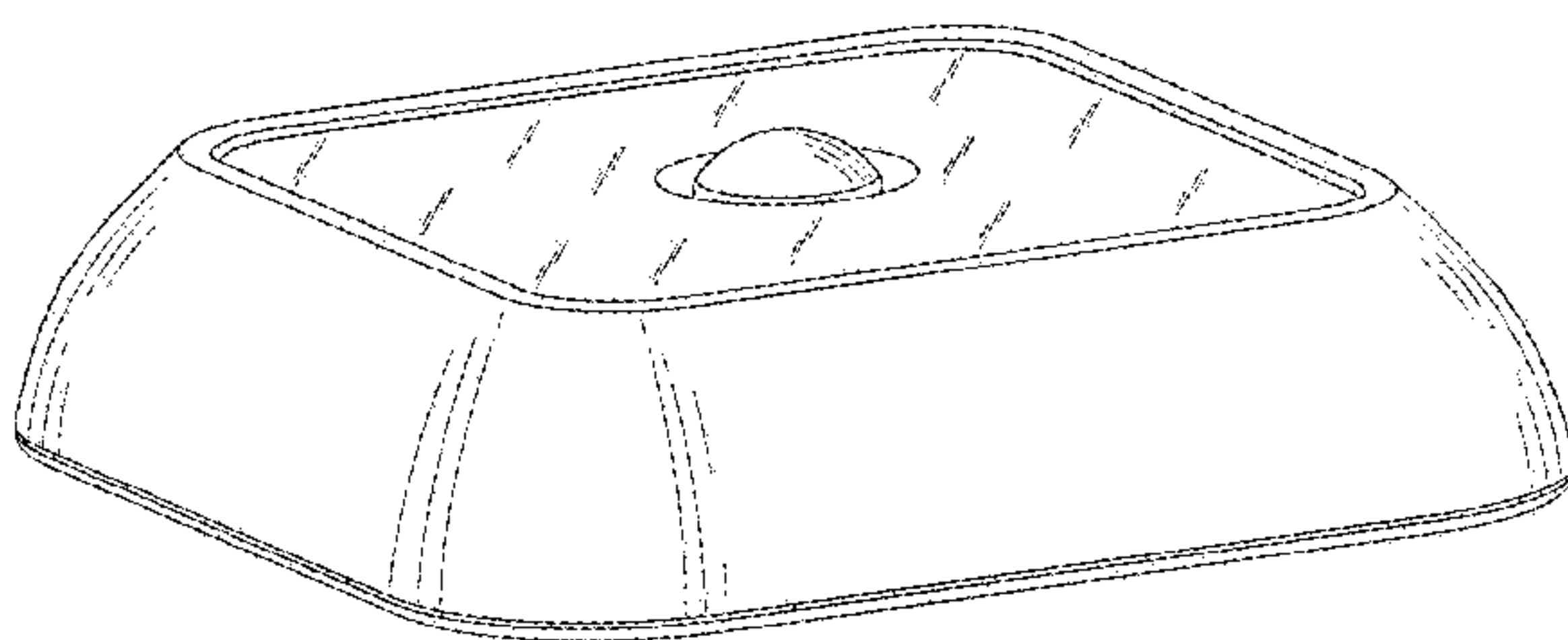
(57) **CLAIM**

The ornamental design for a motion sensor LED night light, as shown and described.

**DESCRIPTION**

FIG. 1 is a perspective view of a motion sensor LED night light showing my new design;  
FIG. 2 is a front elevational view thereof;  
FIG. 3 is a rear elevational view thereof;  
FIG. 4 is a left side elevational view thereof;  
FIG. 5 is a right side elevational view thereof;  
FIG. 6 is a top plan view thereof; and,  
FIG. 7 is a bottom plan view thereof.

**1 Claim, 7 Drawing Sheets**



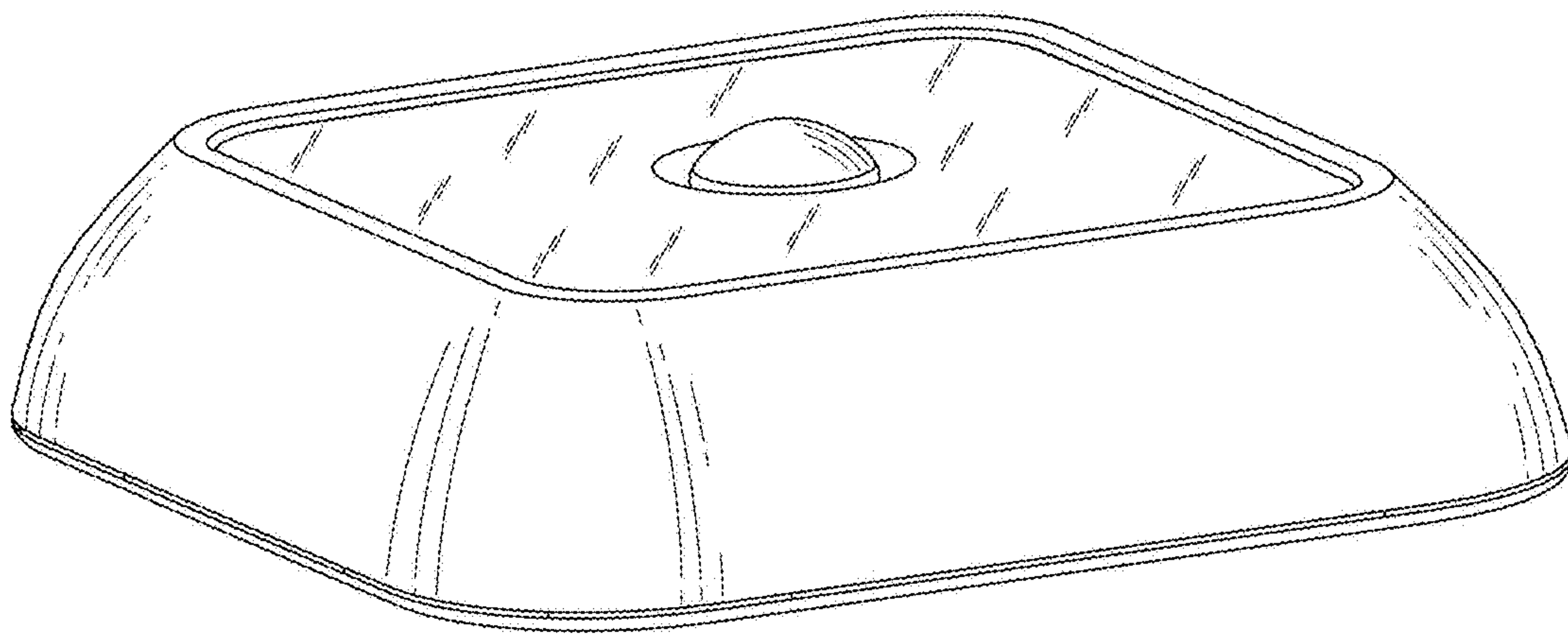


FIG.1

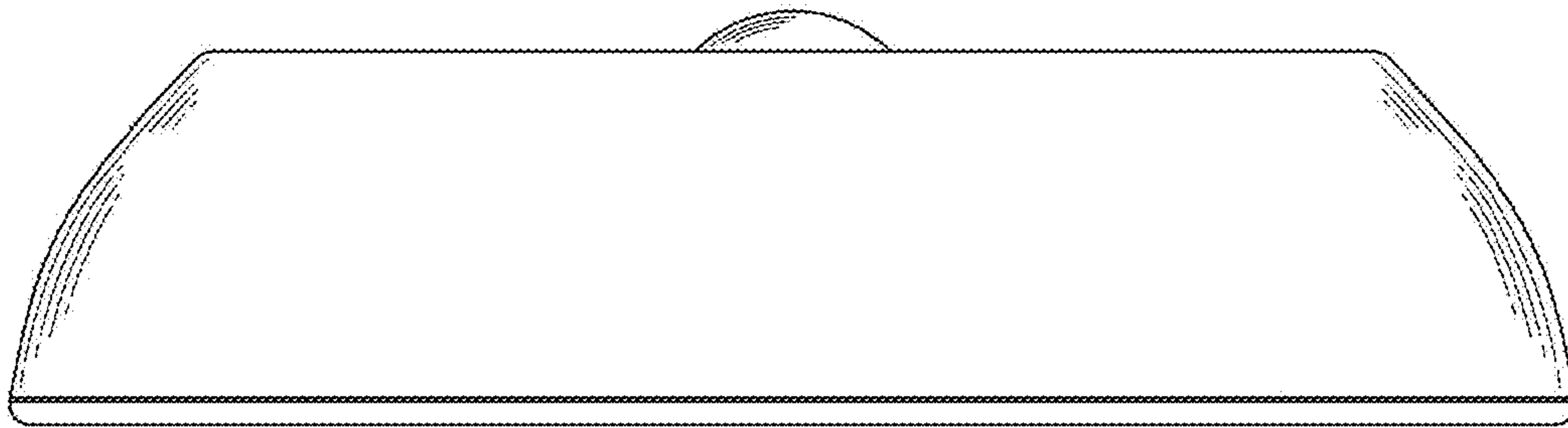


FIG. 2

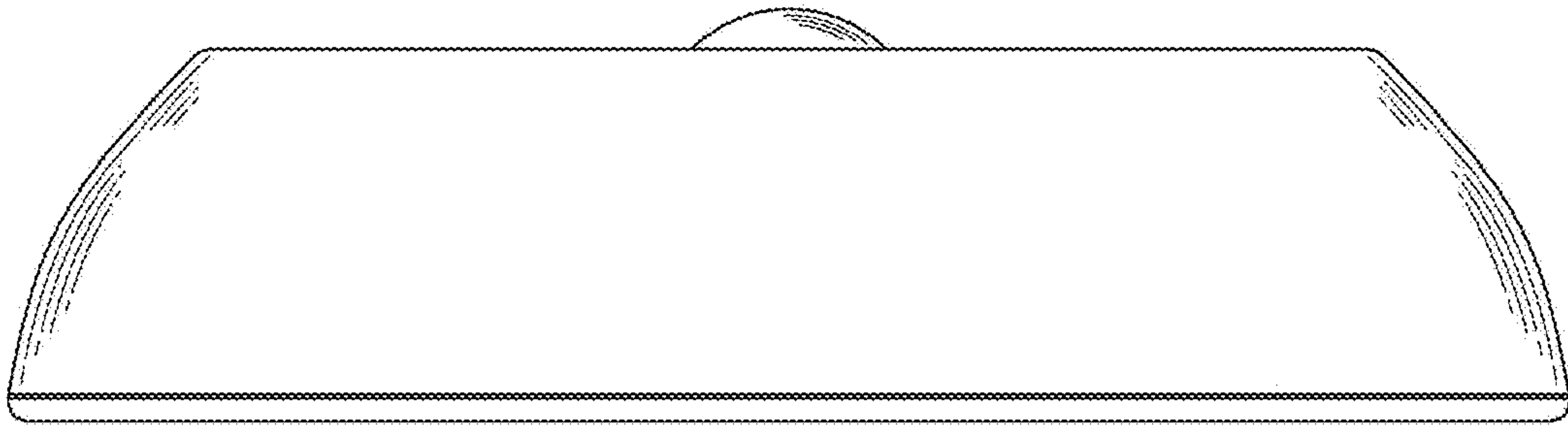


FIG.3

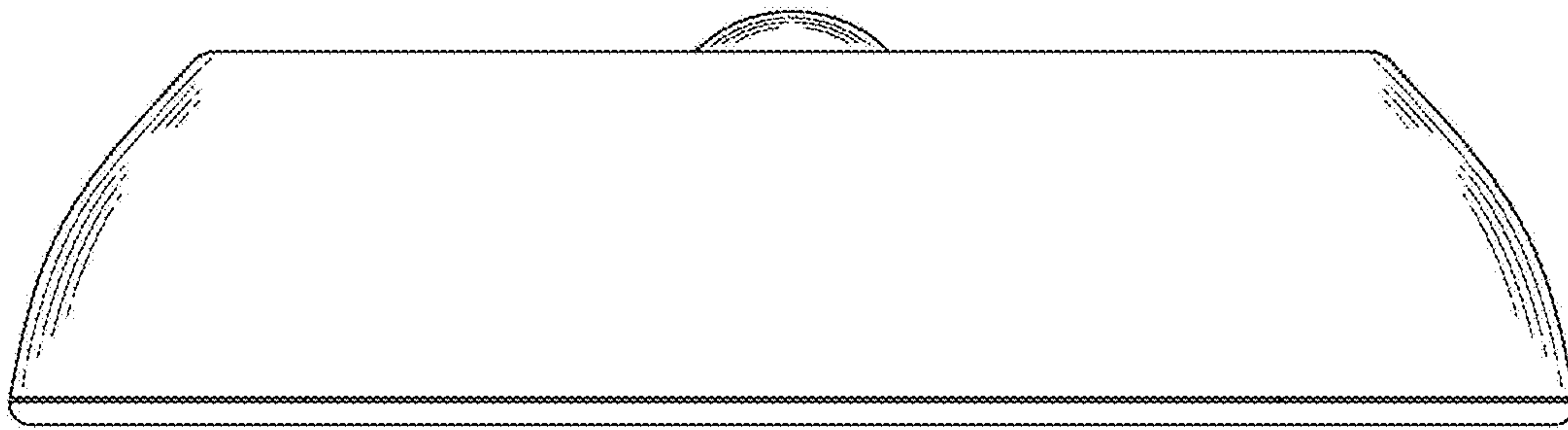


FIG.4

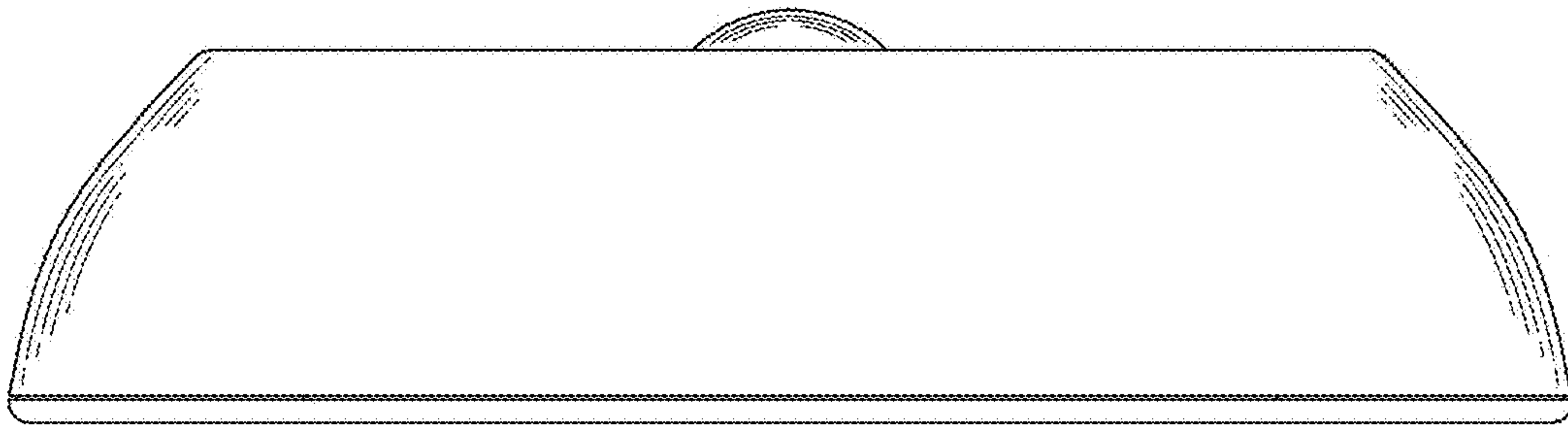


FIG.5

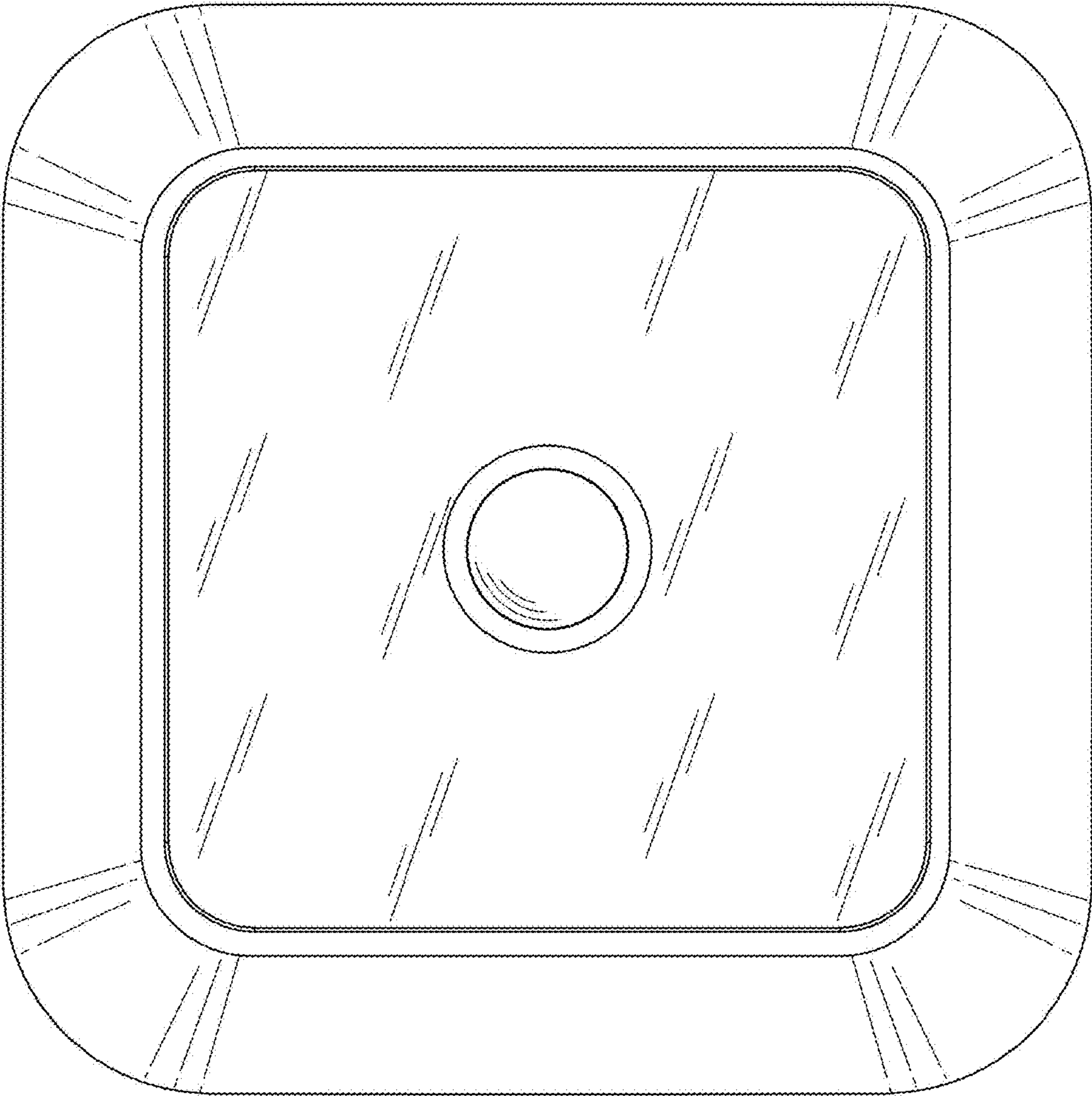


FIG.6



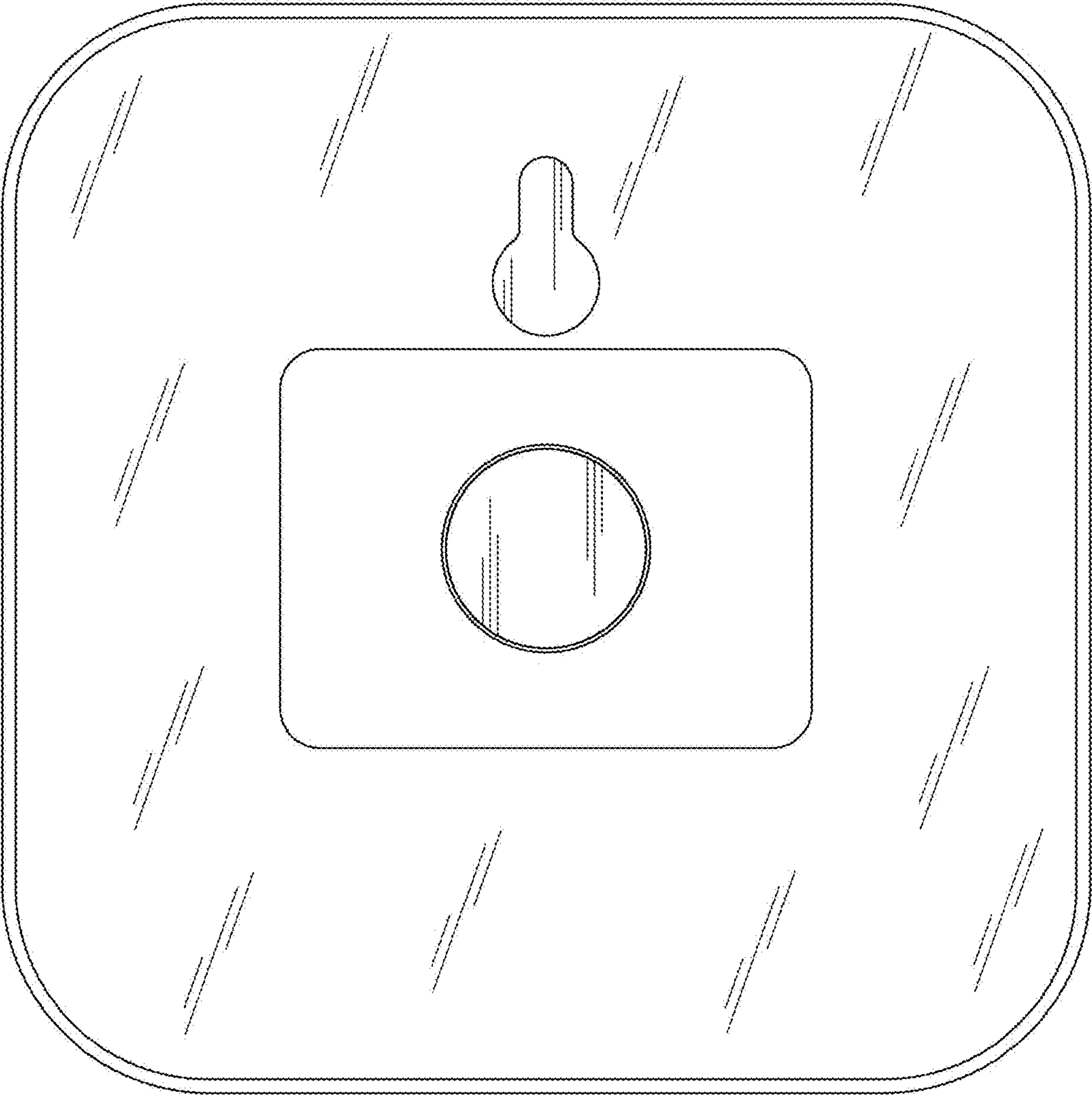


FIG. 7