



US00D851805S

(12) **United States Design Patent**  
**Chen**

(10) **Patent No.:** **US D851,805 S**

(45) **Date of Patent:** **\*\* Jun. 18, 2019**

(54) **LED LIGHTING**

(71) Applicant: **Lihua Chen**, Guang'an (CN)

(72) Inventor: **Lihua Chen**, Guang'an (CN)

(73) Assignee: **SHENZHEN HNLIFE LIGHTING Technology CO., LTD**, Shenzhen (CN)

(\*\*) Term: **15 Years**

(21) Appl. No.: **29/638,581**

(22) Filed: **Feb. 27, 2018**

(51) **LOC (11) Cl.** ..... **26-04**

(52) **U.S. Cl.**  
USPC ..... **D26/76**

(58) **Field of Classification Search**  
USPC ..... D26/76, 78, 79, 80, 81, 82, 83, 85, 86,  
D26/88, 90, 93, 111, 113, 118, 119, 120,  
D26/121, 122, 138, 139, 140, 141, 142,  
D26/152

CPC ..... F21S 2/00; F21S 4/00; F21S 4/003; F21S  
4/005; F21S 4/006; F21S 4/007; F21S  
4/008; F21S 6/00; F21S 8/00; F21S  
8/024; F21S 8/026; F21S 8/031; F21S  
8/033; F21S 8/035-8/037; F21S 8/04;  
F21S 8/043; F21S 8/063

See application file for complete search history.

(56) **References Cited**

**U.S. PATENT DOCUMENTS**

D344,605 S \* 2/1994 Aspenwall ..... D26/76  
D577,138 S \* 9/2008 Kitagawa ..... D26/37

D603,079 S \* 10/2009 Toot ..... D26/118  
D607,598 S \* 1/2010 Xiao ..... D26/76  
D626,267 S \* 10/2010 Ng ..... D26/76  
D633,642 S \* 3/2011 Wauters ..... D26/76  
D663,065 S \* 7/2012 Beghelli ..... D26/76  
D671,254 S \* 11/2012 Miyatake ..... D26/75  
D693,048 S \* 11/2013 Ng ..... D26/76  
D735,390 S \* 7/2015 Yapping ..... D26/74  
D735,392 S \* 7/2015 Ng ..... D26/76  
D750,308 S \* 2/2016 Rodgers ..... D26/76  
D796,721 S \* 9/2017 Boorom ..... D26/72  
D799,733 S \* 10/2017 Recker ..... D26/76  
D804,082 S \* 11/2017 Boorom ..... D26/118  
D831,257 S \* 10/2018 Boulanger ..... D26/76

\* cited by examiner

*Primary Examiner* — George D. Kirschbaum  
*Assistant Examiner* — Natasha Vujcic

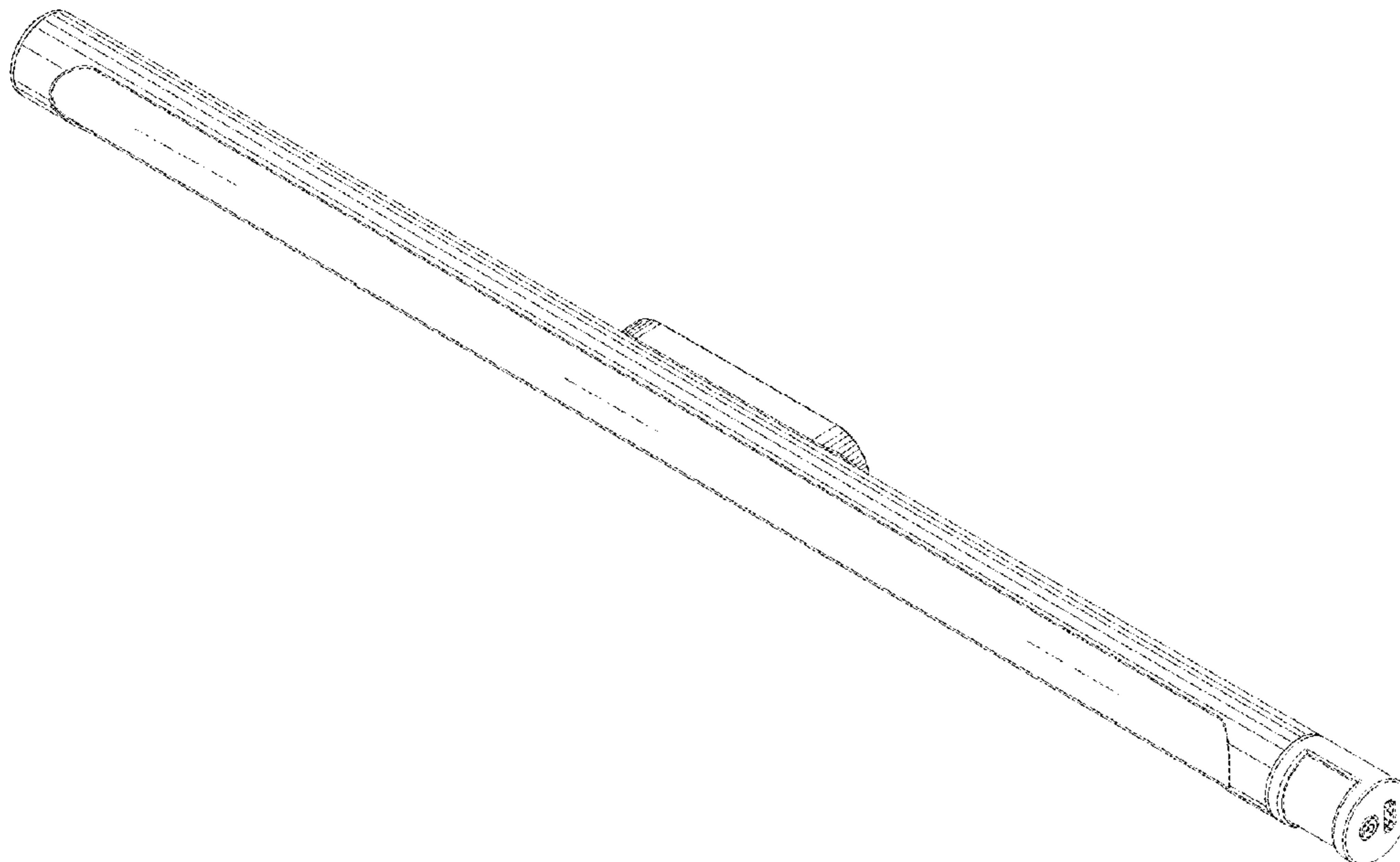
(57) **CLAIM**

The ornamental design for a LED lighting, as shown and described.

**DESCRIPTION**

FIG. 1 is a front perspective view of a LED lighting showing my new design;  
FIG. 2 is a rear perspective view thereof;  
FIG. 3 is a front elevational view thereof;  
FIG. 4 is a left side elevational view thereof;  
FIG. 5 is an enlarged top view thereof; and,  
FIG. 6 is an enlarged bottom view thereof.  
The broken lines in the drawings illustrate portions of the LED Lighting which forms no part of the claimed design.

**1 Claim, 5 Drawing Sheets**



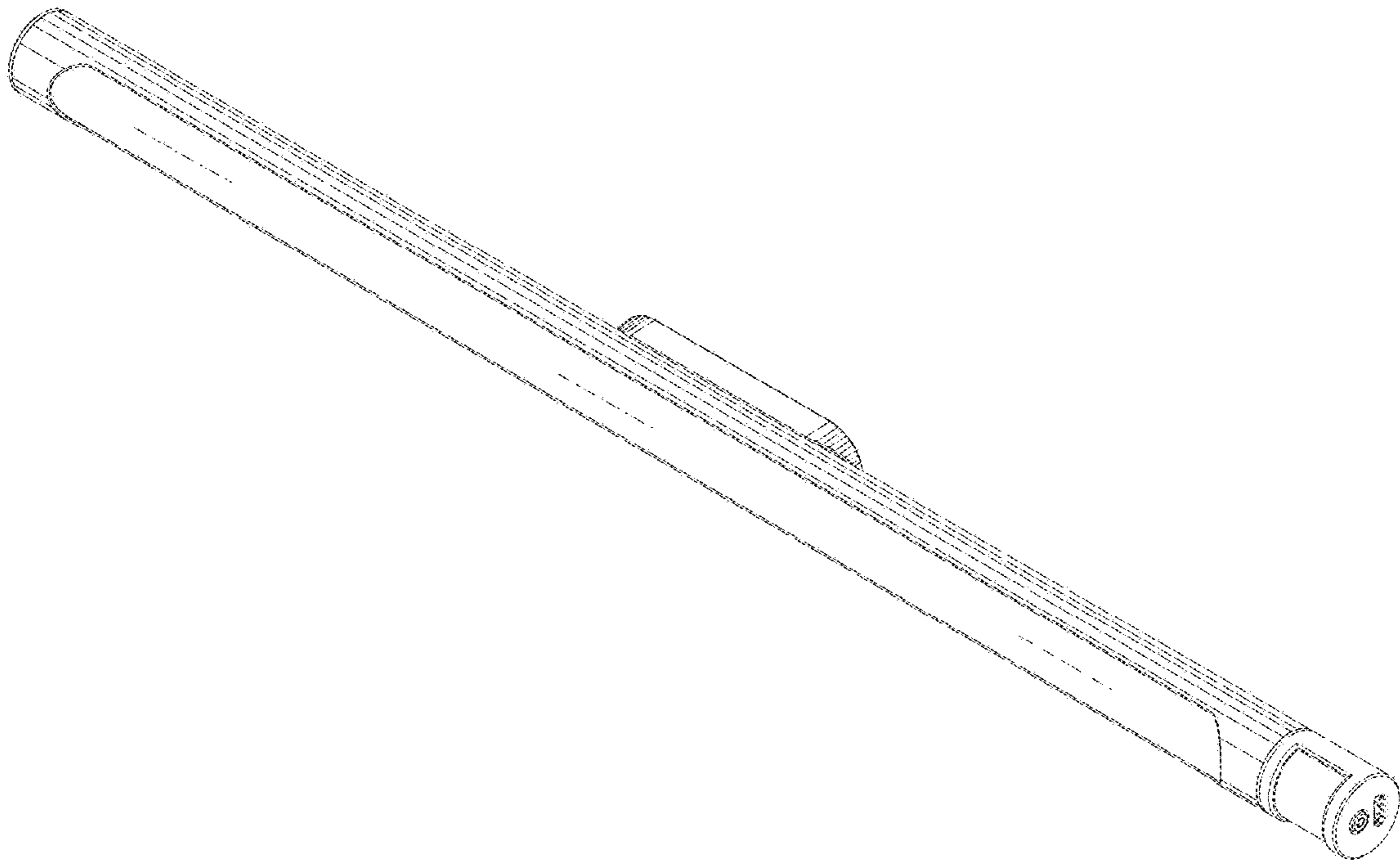


FIG. 1

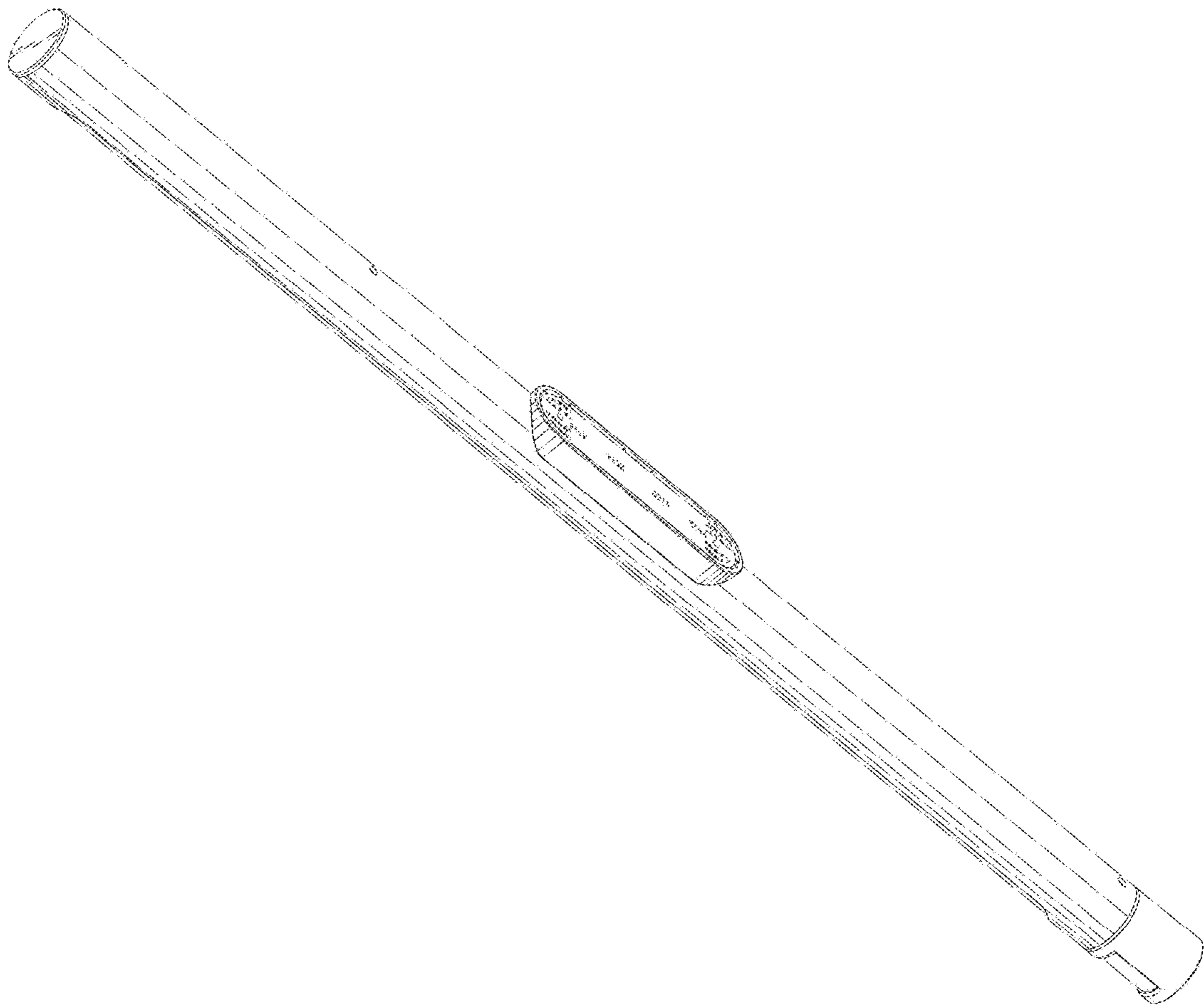


FIG. 2

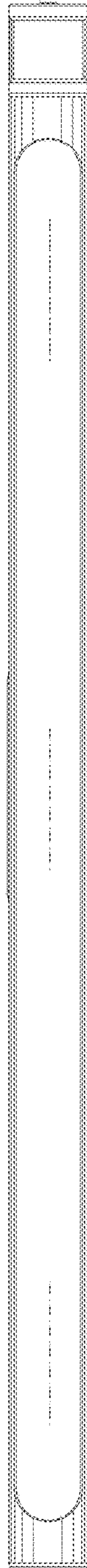


FIG. 3

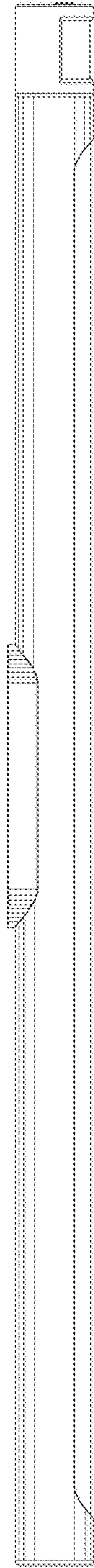


FIG. 4

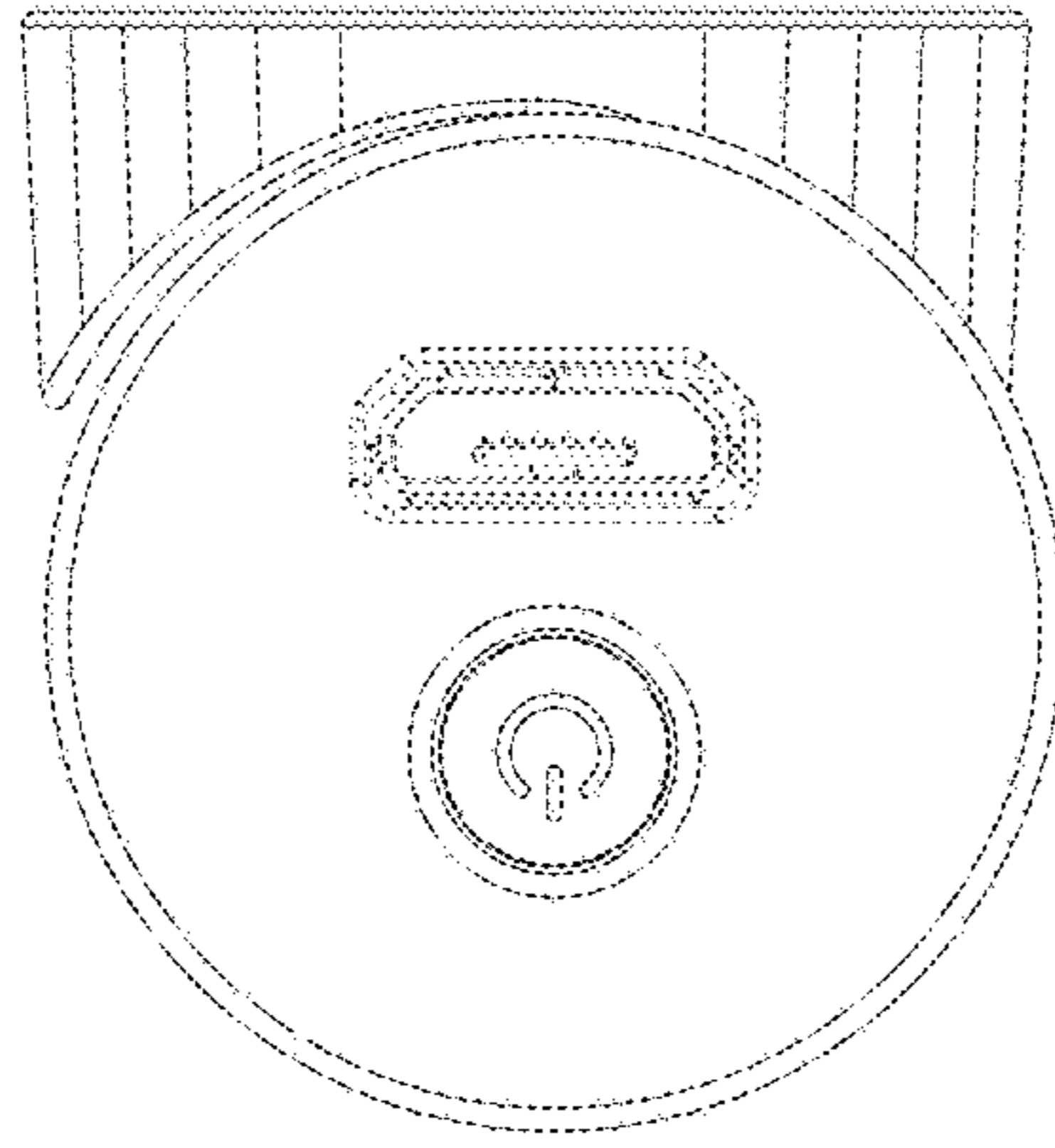


FIG. 5

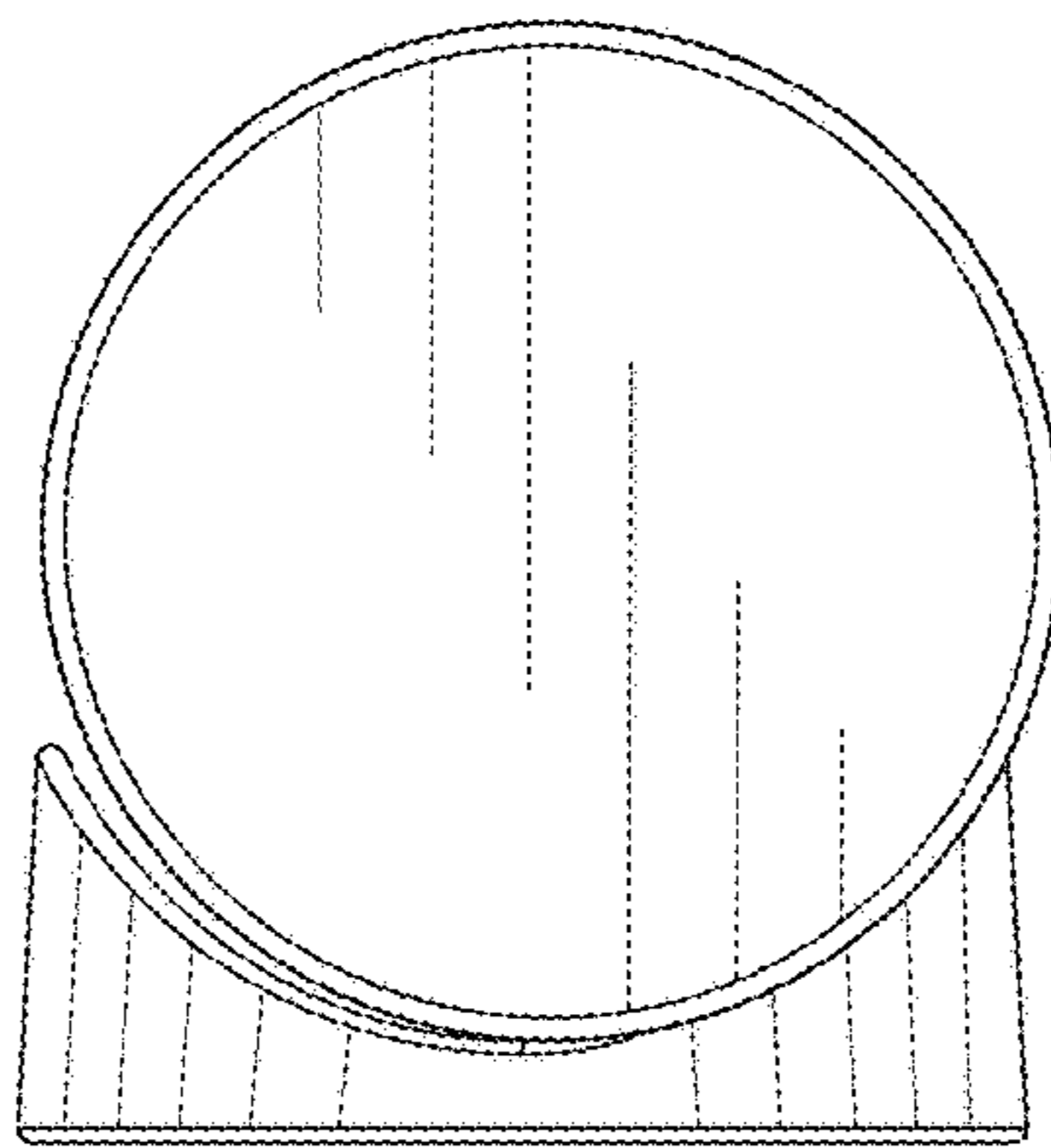


FIG. 6