



US00D851804S

(12) **United States Design Patent**
Reynolds

(10) **Patent No.:** **US D851,804 S**

(45) **Date of Patent:** **** *Jun. 18, 2019**

- (54) **LIGHT FIXTURE**
- (71) Applicant: **HGCI, Inc.**, Las Vegas, NV (US)
- (72) Inventor: **Christopher Reynolds**, Vancouver, WA (US)
- (73) Assignee: **HGCI, Inc.**, Las Vegas, NV (US)
- (*) Notice: This patent is subject to a terminal disclaimer.
- (**) Term: **15 Years**
- (21) Appl. No.: **29/623,272**
- (22) Filed: **Oct. 24, 2017**

D85,049 S	9/1931	Kopp
D85,382 S	10/1931	Guth
1,848,734 A	3/1932	Luce
1,873,310 A	8/1932	Doane
1,930,070 A	10/1933	Zecher
1,987,705 A	1/1935	Pedersen
D106,614 S	10/1937	Waterbury
2,194,841 A	3/1940	Welch
D119,800 S	4/1940	Carter
D123,768 S	12/1940	Scribner
D125,559 S	3/1941	Biller
2,242,590 A	5/1941	Marcel
D128,049 S	7/1941	Kurtz
D135,375 S	3/1943	Biller
2,339,100 A	1/1944	Netting
2,348,617 A	5/1944	Furedy
D156,014 S	11/1949	Lazerson
2,492,946 A	1/1950	Barber
D174,221 S	3/1955	Hatch
2,740,883 A	4/1956	Kruger
2,741,694 A	4/1956	Wiig
2,998,511 A	8/1961	Chan
3,025,391 A	3/1962	Golko
D193,802 S	10/1962	Thomsen
D195,012 S	4/1963	Hoyle
3,125,301 A	3/1964	Stotter
3,263,071 A	7/1966	Fabbri
3,272,978 A	9/1966	Jackson
3,322,946 A	5/1967	Cooper
3,420,995 A	1/1969	Dunckel
D213,391 S	2/1969	Bruno
3,433,941 A	3/1969	Hall
3,675,008 A	7/1972	Hill
3,684,883 A	8/1972	Entwistle
3,701,898 A	10/1972	McNamara, Jr.
3,755,667 A	8/1973	Price
3,829,677 A	8/1974	DeLlano
3,902,059 A	8/1975	McNamara, Jr.
3,911,265 A	10/1975	Landrum
4,028,542 A	6/1977	McReynolds, Jr.
D245,016 S	7/1977	Barr
4,037,096 A	7/1977	Brengord
4,078,169 A	3/1978	Armstrong
4,175,360 A	11/1979	Mulvey
4,229,782 A	10/1980	Ruud
D259,738 S	6/1981	Boschetti
4,308,473 A	12/1981	McNamara, Jr.
D262,659 S	1/1982	Laltta
D266,578 S	10/1982	Moshier
D268,287 S	3/1983	Boschetti
D270,577 S	9/1983	DeVos
4,446,506 A	5/1984	Larson
4,531,180 A	7/1985	Hernandez

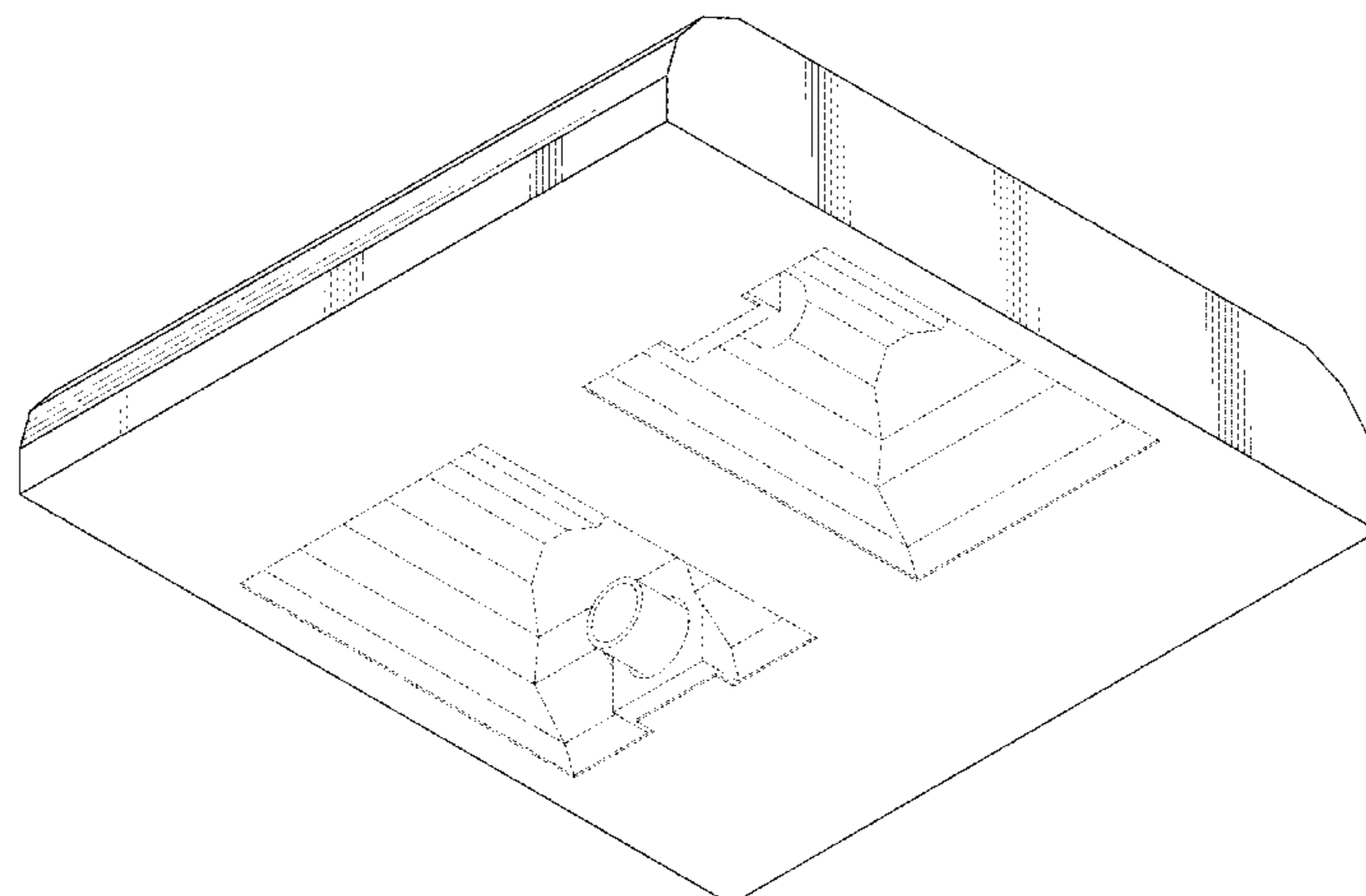
Related U.S. Application Data

- (63) Continuation of application No. 29/576,151, filed on Aug. 31, 2016, now Pat. No. Des. 804,079.
- (51) **LOC (11) Cl.** **26-04**
- (52) **U.S. Cl.**
USPC **D26/76**
- (58) **Field of Classification Search**
USPC D26/76, 78, 79, 80, 81, 82, 83, 85-90, D26/93, 111, 113, 118, 119, 120, 121, D26/122, 138, 139, 140, 141, 142, 152
CPC F21S 2/00; F21S 4/00; F21S 4/003; F21S 4/005; F21S 4/006; F21S 4/007; F21S 4/008; F21S 6/00; F21S 8/00; F21S 8/024; F21S 8/026; F21S 8/031; F21S 8/033; F21S 8/035-8/037; F21S 8/04; F21S 8/043; F21S 8/063
See application file for complete search history.

(56) **References Cited**

U.S. PATENT DOCUMENTS

32,722 A	7/1861	Schmidlin
D46,253 S	8/1914	Kopp
1,410,945 A	3/1922	Mayfield
1,547,026 A	7/1925	Canney
1,798,567 A	3/1931	Wagenhorst



US D851,804 S

Page 2

4,616,293	A	10/1986	Baliozian	6,210,025	B1	4/2001	Schmidt
4,669,033	A	5/1987	Lee	6,230,497	B1	5/2001	Morris
D290,662	S	7/1987	Basil	D443,198	S	6/2001	Snyder
D300,877	S	4/1989	Cyr	D443,949	S	6/2001	Dimonte
4,855,884	A	8/1989	Richardson	6,247,830	B1	6/2001	Winnett
4,893,221	A	1/1990	Friedman	D445,943	S	7/2001	Littman
4,933,821	A	6/1990	Anderson	6,257,735	B1	7/2001	Baar
4,939,629	A	7/1990	Glanton	6,267,483	B1	7/2001	Hembery
D311,597	S	10/1990	Poot	D447,272	S	8/2001	Smith
4,970,428	A	11/1990	Hayakawa	6,279,012	B1	8/2001	Sexton
4,980,809	A	12/1990	Baldwin	6,299,327	B1	10/2001	Camarota
D316,301	S	4/1991	Michael	D452,559	S	12/2001	Schonberger
5,006,752	A	4/1991	Eggink	6,343,984	B1	2/2002	Langdon
5,065,294	A	11/1991	Poot	6,371,630	B1	4/2002	Unger
5,072,349	A	12/1991	Waniga	D456,927	S	5/2002	Russello
D323,897	S	2/1992	Compton	D456,928	S	5/2002	Russello
5,088,015	A	2/1992	Baggio	D456,938	S	5/2002	Wardenburg
D329,104	S	9/1992	Dieperink	D457,450	S	5/2002	Lamond et al.
D330,438	S	10/1992	Herst	D459,825	S	7/2002	Field
5,192,129	A	3/1993	Figueroa	6,488,387	B2	12/2002	Wardenburg
5,199,784	A	4/1993	Hempleman	D469,564	S	1/2003	Brok
5,253,152	A	10/1993	Yang	6,527,422	B1	3/2003	Hutchison
D349,358	S	4/1994	Herst	6,548,948	B1	4/2003	Muessli
5,353,746	A	10/1994	Del Rosario	6,595,662	B2	7/2003	Wardenburg
D352,126	S	11/1994	Ruud	6,601,972	B2	8/2003	Sei
5,440,470	A	8/1995	Ly	6,658,652	B1	12/2003	Alexander
5,461,554	A	10/1995	Leonetti	6,679,619	B2	1/2004	Saieva
D365,159	S	12/1995	Tinen	D486,593	S	2/2004	Griffin
5,486,737	A	1/1996	Hrubowchak	6,688,759	B1	2/2004	Hadjimichael
5,510,676	A	4/1996	Cottaar	6,709,131	B1	3/2004	Herst
D373,000	S	8/1996	Brady	6,729,383	B1	5/2004	Cannell
5,555,162	A	9/1996	Shemitz	6,783,263	B1	8/2004	Cronk
D374,301	S	10/1996	Kleffman	D496,121	S	9/2004	Santoro
D376,437	S	10/1996	Karlo	D499,504	S	12/2004	Meyer
5,568,680	A	10/1996	Parker	D499,505	S	12/2004	Benensohn
5,570,947	A	11/1996	Felland	D504,343	S	4/2005	Ek
D377,993	S	2/1997	Herst	6,885,134	B2	4/2005	Kurashima
5,621,267	A	4/1997	Shaffner	6,908,212	B2	6/2005	Schultz
D383,243	S	9/1997	Fry	7,011,424	B1	3/2006	Poulson
5,698,947	A	12/1997	Choi	7,083,309	B2	8/2006	Chan
5,702,179	A	12/1997	Sidwell	7,101,060	B2	9/2006	Oppenheimer
D391,632	S	3/1998	Thomas	7,131,753	B1	11/2006	Edwards, Jr.
D396,319	S	7/1998	Sutton	7,156,539	B2	1/2007	Cronk
D397,481	S	8/1998	Schafer	7,175,309	B2	2/2007	Craw
D399,328	S	10/1998	Compton	D542,460	S	5/2007	Hargreaves
D399,329	S	10/1998	Compton	D543,652	S	5/2007	Hargreaves
D399,587	S	10/1998	Compton	D543,654	S	5/2007	Hargreaves
D400,289	S	10/1998	Wardenburg	D543,655	S	5/2007	Hargreaves
5,816,694	A	10/1998	Ideker	D544,982	S	5/2007	Hargreaves
D401,006	S	11/1998	Edwards	7,213,948	B2	5/2007	Hein
D405,976	S	2/1999	Beall	D544,136	S	6/2007	Hargreaves
5,896,004	A	4/1999	Feldman	D544,138	S	6/2007	Hargreaves
5,924,789	A	7/1999	Thornton	D544,139	S	6/2007	Hargreaves
5,932,955	A	8/1999	Berger	D544,626	S	6/2007	Hargreaves
5,938,317	A	8/1999	Thornton	D544,980	S	6/2007	Hargreaves
D415,304	S	10/1999	Brown	D544,981	S	6/2007	Hargreaves
5,983,564	A	11/1999	Stragnola	D544,983	S	6/2007	Hargreaves
5,987,697	A	11/1999	Song	D544,984	S	6/2007	Hargreaves
5,999,943	A	12/1999	Nori	D544,985	S	6/2007	Hargreaves
D418,626	S	1/2000	Herst	D544,987	S	6/2007	Hargreaves
D419,248	S	1/2000	Lyons	D544,994	S	6/2007	Hargreaves
6,024,468	A	2/2000	Kassay	D544,995	S	6/2007	Hargreaves
6,042,250	A	3/2000	Stragnola	D545,460	S	6/2007	Mason, II
6,051,927	A	4/2000	Graser	D545,484	S	6/2007	Hargreaves
6,053,624	A	4/2000	Cronk	D545,485	S	6/2007	Hargreaves
D425,237	S	5/2000	Scott	D545,990	S	7/2007	Hargreaves
D425,652	S	5/2000	Brok	D545,994	S	7/2007	Hargreaves
D426,010	S	5/2000	Compton	D545,996	S	7/2007	Hargreaves
6,061,690	A	5/2000	Nori	D549,869	S	8/2007	Ward
6,065,849	A	5/2000	Chen	D553,781	S	10/2007	Pickard
6,070,173	A	5/2000	Huber	7,296,914	B1	11/2007	Russello
6,076,944	A	6/2000	Maranon	7,360,927	B2	4/2008	Oka
6,079,851	A	6/2000	Altman	D569,024	S	5/2008	Redfern
D428,516	S	7/2000	Reo	D572,858	S	7/2008	Santoro
6,094,919	A	8/2000	Bhatia	7,445,363	B2	11/2008	Vanden Eynden
6,111,739	A	8/2000	Wu	7,524,090	B2	4/2009	Hargreaves
6,152,579	A	11/2000	Reed	7,534,011	B2	5/2009	Townsley
D439,008	S	3/2001	Kim	D595,894	S	7/2009	Verfuert
D440,289	S	4/2001	Olson et al.	D602,625	S	10/2009	Santoro

US D851,804 S

Page 3

D603,087 S	10/2009	Mo	D708,390 S	7/2014	Roos
7,617,057 B2	11/2009	May	D710,528 S	8/2014	Wardenburg
D605,342 S	12/2009	Chung	8,801,235 B2	8/2014	Yurich
D608,490 S	1/2010	Chung	D713,953 S	9/2014	Jepson
7,641,367 B2	1/2010	Hargreaves	D714,988 S	10/2014	Park
7,654,702 B1	2/2010	Ding	D715,994 S	10/2014	Klus
D611,183 S	3/2010	Duarte	D716,995 S	11/2014	Zhu
D613,900 S	4/2010	Hargreaves	D717,487 S	11/2014	Guzzini
D614,801 S	4/2010	Collins	D717,636 S	11/2014	Stanley
7,722,228 B2	5/2010	Broer	D720,488 S	12/2014	Toyohisa
D617,028 S	6/2010	Verfuert	D720,505 S	12/2014	Kersten
D620,190 S	7/2010	Chung	8,905,575 B2	12/2014	Durkee
D621,993 S	8/2010	Jong	D720,876 S	1/2015	Haverfield
7,771,086 B2	8/2010	Goverde	D721,844 S	1/2015	Lay
D628,335 S	11/2010	Hyland	D722,654 S	2/2015	Martone
7,854,534 B2	12/2010	Liu	D725,820 S	3/2015	Hargreaves
D632,419 S	2/2011	Ng	8,967,821 B2	3/2015	Pickard
D633,247 S	2/2011	Kong	D726,359 S	4/2015	Grigore
D633,640 S	3/2011	Wauters	8,998,473 B1	4/2015	Anderson
D634,060 S	3/2011	Wardenburg	9,016,892 B1	4/2015	Scribante
D634,240 S	3/2011	Junkeer	9,016,907 B2	4/2015	Stanley
D634,468 S	3/2011	Hargreaves	D728,848 S	5/2015	Reyes
D634,469 S	3/2011	Hargreaves	D729,435 S	5/2015	Arndt
D637,162 S	5/2011	Bridgman	D730,556 S	5/2015	Toyohisa
D637,341 S	5/2011	Wardenburg	D725,819 S	6/2015	Reynolds
D637,752 S	5/2011	Mekhtarian	D731,103 S	6/2015	Wilke
D640,404 S	6/2011	Chipperfield	D731,109 S	6/2015	Wardenburg
7,959,331 B2	6/2011	Ho	D731,701 S	6/2015	Hargreaves
D641,100 S	7/2011	Li	D732,233 S	6/2015	Reynolds
7,972,044 B2	7/2011	Burkhauser	D732,234 S	6/2015	Rashidi Doust
D644,185 S	8/2011	Hargreaves	D732,235 S	6/2015	Reynolds
7,987,632 B2	8/2011	May	D732,236 S	6/2015	Reynolds
8,018,630 B2	9/2011	Herloski	D733,347 S	6/2015	Dungan
8,038,318 B2	10/2011	Plunk	9,052,075 B2	6/2015	Demuynck
D648,652 S	11/2011	Hawkins	D733,952 S	7/2015	Lay
D649,685 S	11/2011	Trzesniowski	D733,960 S	7/2015	Howe
D650,515 S	12/2011	Bradley	D734,534 S	7/2015	Howe
D650,935 S	12/2011	Beghelli	D735,391 S	7/2015	Blessitt
D653,376 S	1/2012	Kong	D735,401 S	7/2015	Clements
8,113,696 B2	2/2012	Striebel	D736,450 S	8/2015	Reynolds
D655,403 S	3/2012	Zakula	D737,498 S	8/2015	Stanley
D657,748 S	4/2012	Hargreaves	9,110,209 B2	8/2015	Blessitt
D660,252 S	5/2012	Hargreaves	D738,031 S	9/2015	Martins
D661,370 S	6/2012	Imajo	D739,595 S	9/2015	Reynolds
D661,833 S	6/2012	Imajo	9,127,826 B2	9/2015	Boyer
8,209,912 B2	7/2012	Hargreaves	D740,486 S	10/2015	Reynolds
8,215,799 B2	7/2012	Vanden Eynden	D740,996 S	10/2015	Tragatschnig
D667,584 S	9/2012	Beghelli	D745,993 S	12/2015	Reynolds
D668,370 S	10/2012	Guercio	D747,029 S	1/2016	Reynolds
D671,259 S	11/2012	Chen	D747,538 S	1/2016	Reynolds
D672,908 S	12/2012	Wilcox	D747,825 S	1/2016	Reynolds
D672,911 S	12/2012	Mayfield, III	D747,849 S	1/2016	Reynolds
D673,324 S	12/2012	Mayfield	D747,923 S	1/2016	Cornu
8,334,640 B2	12/2012	Reed	D748,319 S	1/2016	Johnson
D675,369 S	1/2013	Michaud	D748,320 S	1/2016	Johnson
8,348,481 B2	1/2013	Chang	D748,847 S	1/2016	Johnson
D675,772 S	2/2013	Tran	D748,850 S	1/2016	Johnson
8,371,726 B2	2/2013	Collins	D748,849 S	2/2016	Stanley
D678,597 S	3/2013	Lehman	D749,773 S	2/2016	Waible
D678,599 S	3/2013	Boyer	D750,312 S	2/2016	Reynolds
D679,848 S	4/2013	Pickard	D750,313 S	2/2016	Reynolds
D683,064 S	5/2013	Tuck	D750,316 S	2/2016	Reynolds
8,505,224 B2	8/2013	Huang	9,255,690 B2	2/2016	Dimitriadis
D689,238 S	9/2013	Halsey	D750,831 S	3/2016	Clements
D689,986 S	9/2013	Lord	D751,244 S	3/2016	Reynolds
D690,875 S	10/2013	McKenzie	D751,245 S	3/2016	Stanley
D693,959 S	11/2013	Boyer	D751,247 S	3/2016	Reynolds
D697,663 S	1/2014	Speier	9,279,553 B1	3/2016	Scribante
D698,074 S	1/2014	Hargreaves	D753,654 S	4/2016	Eastwood
D698,075 S	1/2014	Klus	9,310,037 B2	4/2016	Cercone
D698,986 S	2/2014	Reynolds	D756,016 S	5/2016	Hargreaves
D698,987 S	2/2014	Stanley	D756,023 S	5/2016	Hoffer
D699,386 S	2/2014	Park	D756,026 S	5/2016	Reynolds
D702,827 S	4/2014	Mase	D757,323 S	5/2016	Reynolds
8,702,283 B2	4/2014	Bradley, Jr.	D757,326 S	5/2016	Reynolds
D705,474 S	5/2014	Philips	D757,346 S	5/2016	Stanley
D705,974 S	5/2014	Blessitt	9,335,038 B2	5/2016	Stanley
8,723,086 B2	5/2014	McMahan	9,366,947 B2	6/2016	Miyata
D707,385 S	6/2014	Wardenburg	D762,320 S	7/2016	Reynolds

US D851,804 S

Page 4

D765,306 S 8/2016 Wardenburg
D766,756 S 9/2016 Franc
9,451,743 B2 9/2016 Koemer
D769,513 S 10/2016 Reynolds
D769,514 S 10/2016 Reynolds
D770,079 S 10/2016 Stanley
D770,082 S 10/2016 Reynolds
D770,670 S 11/2016 Reynolds
D770,671 S 11/2016 Reynolds
D771,301 S 11/2016 Stanley
D771,304 S 11/2016 Goltche
D773,107 S 11/2016 Stanley
D774,234 S 12/2016 Plourde
D775,406 S 12/2016 Hargreaves
D775,760 S 1/2017 Reynolds
9,551,482 B2 1/2017 Seward
D780,985 S 3/2017 Stanley
D780,986 S 3/2017 Reynolds
D781,492 S 3/2017 Reynolds
D783,887 S 4/2017 Stanley
D783,888 S 4/2017 Reynolds
D786,477 S 5/2017 Lauderdale
D786,488 S 5/2017 Reynolds
D786,489 S 5/2017 Stanley
D786,490 S 5/2017 Stanley
D786,491 S 5/2017 Reynolds
D792,635 S 7/2017 Reynolds
D793,616 S 8/2017 Reynolds
D796,727 S 9/2017 Reynolds
D796,728 S 9/2017 Reynolds
D797,350 S 9/2017 Reynolds
D797,353 S 9/2017 Stanley
9,750,199 B2 9/2017 Stanley
9,752,766 B2 9/2017 Stanley
D802,826 S 11/2017 Stanley
D802,828 S 11/2017 Stanley
D802,829 S 11/2017 Stanley
D802,830 S 11/2017 Stanley
D802,831 S * 11/2017 Reynolds D26/118
D804,078 S * 11/2017 Reynolds D26/78
D804,079 S * 11/2017 Reynolds D26/78
D811,647 S * 2/2018 Stanley D26/118
D814,687 S * 4/2018 Stanley D26/118
D822,882 S * 7/2018 Reynolds D26/118
D822,883 S * 7/2018 Stanley D26/118
D825,096 S * 8/2018 Reynolds D26/118
D825,826 S * 8/2018 Stanley D26/118
D825,827 S * 8/2018 Stanley D26/118
D825,828 S * 8/2018 Reynolds D26/118
D826,467 S * 8/2018 Reynolds D26/118
D826,468 S * 8/2018 Stanley D26/118
D826,469 S * 8/2018 Reynolds D26/118
D831,265 S * 10/2018 Stanley D26/118
2002/0073285 A1 6/2002 Butterworth
2002/0141195 A1 10/2002 Wardenburg
2003/0031011 A1 2/2003 Miller
2003/0191783 A1 10/2003 Wolczko
2004/0240214 A1 12/2004 Whitlow
2005/0117333 A1 6/2005 Yoshida
2005/0160481 A1 7/2005 Todd
2005/0233691 A1 10/2005 Horton
2006/0231081 A1 10/2006 Kirakosyan
2006/0232984 A1 10/2006 Schuknecht
2006/0282457 A1 12/2006 Williams
2007/0051321 A1 3/2007 Chang
2007/0070633 A1 3/2007 Eynden
2007/0228993 A1 10/2007 Stuer
2007/0246631 A1 10/2007 Brown
2007/0282806 A1 12/2007 Hoffman
2008/0059799 A1 3/2008 Scarlata
2008/0117617 A1 5/2008 Hargreaves
2008/0130304 A1 6/2008 Rash
2008/0205030 A1 8/2008 Hargreaves
2008/0205071 A1 8/2008 Townsley
2008/0212326 A1 9/2008 Chon
2008/0178957 A1 11/2008 Pickard
2008/0278950 A1 11/2008 Pickard
2009/0166250 A1 5/2009 Hargreaves
2009/0231840 A1 9/2009 Boehme

2009/0262540 A1 10/2009 Hargreaves
2009/0276478 A1 11/2009 Soman
2009/0310373 A1 12/2009 Burkhauser
2009/0316404 A1 12/2009 Mo
2009/0323335 A1 12/2009 Yang
2010/0214789 A1 8/2010 Hawkes
2010/0238661 A1 9/2010 Pfund
2010/0277908 A1 11/2010 Hu
2010/0277929 A1 11/2010 Hargreaves
2010/0295468 A1 11/2010 Pedersen
2010/0302768 A1 12/2010 Collins
2011/0169412 A1 7/2011 Yurich
2011/0203096 A1 8/2011 Hargreaves
2011/0259665 A1 10/2011 Morgan
2012/0051041 A1 3/2012 Edmond
2012/0092859 A1 4/2012 Gregoris
2012/0145699 A1 6/2012 McMahan
2012/0212883 A1 8/2012 Hargreaves
2012/0230035 A1 9/2012 Bradley, Jr.
2012/0302768 A1 11/2012 Janka et al.
2013/0083539 A1 1/2013 Dimitriadis
2013/0077329 A1 3/2013 Hessling
2013/0155685 A1 6/2013 Stanley
2013/0242573 A1 9/2013 Petrsocki
2013/0250567 A1 9/2013 Edmond
2014/0378283 A1 12/2014 Qiu
2015/0023022 A1 1/2015 Stanley
2015/0098215 A1 4/2015 Torabifard
2015/0252992 A1 9/2015 Stanley
2015/0252993 A1 9/2015 Stanley
2015/0252994 A1 9/2015 Stanley
2015/0260381 A1 9/2015 Verfuert
2017/0211801 A1 7/2017 Stanley

FOREIGN PATENT DOCUMENTS

CA	2034710	8/1991
CA	1314529	3/1993
EP	0325003	7/1989
EP	0440274	8/1991
WO	2002063210	8/2002
WO	2003060379	7/2003
WO	2008018000	2/2008
WO	2009096775	8/2009
WO	2011119451	9/2011

OTHER PUBLICATIONS

Apollo Horticulture GLRCTAC 6" Air Cool Tube Grow Light Deluxe Glass Cylinder with Hood Reflector, image post date Oct. 15, 2010, site visted Oct. 3, 2014, (online), <http://www.amazon.com/apollo-horticulture-glrectac-cylinder-reflector/dp/b003qkvv04/ref=pd_sbs_lg_5?ie=utf8&refrid=1y9v9qhh4n5vnctjmfr>.

Apollo Horticulture GLRLS24 6" Air Cooled Hydroponic Grow Light Glass Reflector Hood, image post date Oct. 15, 2010, site visted Oct. 3, 2014, (online), <http://www.amazon.com/apollo-horticulture-GLRLS24-hydroponic-reflector/dp/B00BMVK8HG/ref=cm_cd_ql_qh_dp_i>.

Adjustable Reflector, image post date Apr. 23, 2012, site visited Sep. 23, 2015, http://web.archive.org/web/2012043260757/http://hydroponics-products.en.alibaba.com/product/519225678-213056444/adjustable_reflector_grow_light_hydroponics_greenhouse_horticulture_reflector_hood.html.

Agrotech Magnum Reflector, image post date Feb. 5, 2012, site visited Oct. 31, 2014, www.hydroponics.net/136580.

Cree CR22, image post date Apr. 28, 2011, site visited Nov. 15, 2014, <http://ledsmagazine.com/content/dam/leds/migrated/objects/news/8/4/19/cree204272011.jpg>.

ZR series High Efficacy Troffer, image post date Apr. 13, 2012, site visited Oct. 31, 2014, www.cree.com/lighting/products.

Grow Lights Home Depot: Find many types of grow lights for your plant, published Dec. 22, 2012, online. Site visited May 25, 2014. [Http://besthomedecorfurniture.com/gardening-d%C3%A9cor/grow-lights-home-depot-few-things-to-consider-when-buying-grow-lighting-plants-online.html](http://besthomedecorfurniture.com/gardening-d%C3%A9cor/grow-lights-home-depot-few-things-to-consider-when-buying-grow-lighting-plants-online.html).

LED Grow Light Comparison Test Review, Youtube.com, published Jun. 29, 2012, online. Site visited Jun. 25, 2014. www.youtube.com/watch?v=f-8oy0qbgrs.

Illuminator Pro-Series Hybrid 350W, wordpress.com, published Dec. 22, 2010, online, site visited Jun. 25, 2014. <http://growsetup.wordpress.com/category/grow-lights/>.

California Lightworks New SolarStorm 440W LED Grow Light with UVB, hydrobuilder.com, online. Site visited Jun. 25, 2014. http://hydrobuilder.com/solarstorm-440w-led-grow-light-with-uvb.html?dzid=strands_CLW-SS-440.

2013 Sunlight Supply Cataog, Issuuu.com, published Aug. 1, 2013, online. Site visited Feb. 2, 2015. http://issuu.com/sunlightsupply/docs/2013_sunlightproductcatalog/49.

Pages 29 and 54 from 2014-2015 dealer catalog showing and describing Super Sun DE reflector published by Sunlight Supply, Inc. 2014.

Dominator XXXL Non AC Reflector pack of 3 Spec Sheet, GreenTreesHydroponics.com, date available Mar. 12, 2014, online. Site visited Feb. 3, 2015, <https://www.hydroponics.net/i/141477>.

Low Rider Air-Cooled Reflector—TinEye, image post date Oct. 11, 2012, site visited Oct. 1, 2015, www.tineye.com/search/1b0e187c5ed9e4e9cfb55d0472271385a2c0e88/?pluginver.

OG Air Cooled Parabolic Reflector Only—Make the Most of Your Grow Light, GroWell Hydroponics, <http://www.growell.co.uk/og-air-cooled-parabolic-reflector-only.html>, pp. 1-2, accessed Aug. 26, 2014.

Air Resistance: Distinguishing Between Laminar and Turbulent Flow, www.docstoc.com, Dec. 29, 2010, p. 1-6.

Sun Systems LEC 630 Light Emitting Ceramic Fixture, Spec Sheet for 906217—Sun System LEC 630 120 Volt w/ 3100 K Lamps, www.sunlightsupply.com/shop/bycategory/led-lighting/sun-system-lec-630-light-emitting-ceramic-fixture, online, updated Feb. 9, 2015. Site visited Mar. 30, 2015, p. 1.

Mohri, Mineko, International Preliminary Report on Patentability for PCT/US2014/014959, Jan. 19, 2016.

A3V Reflector, Titaness Light Shop, www.titanesslightshop.com/products-page/reflectors/a3v-reflector, online. Site visited Jan. 14, 2015.

G2V Grow Light Reflector, Titaness Light Shop, www.titanesslightshop.com/products-page/reflectors/g2v-grow-light-reflector, online. Site visited Jan. 14, 2015.

1000 Watt Galaxy Grow Amp Double Ended Grow Light Packages, image post date Jan. 30, 2014, sited visited Jul. 8, 2016, <http://www.ehydroponics.com/100-watt-galaxy-grow-amp-double-ended-grow-light-package.html>.

2009-10-watt-light-set—TinEye, image post date May 23, 2012, site visited Jul. 8, 2016, <https://www.tineye.com/search/2de39cf51f7a031139a80ce555e2f30d0abd5216/>.

Square 10 Watt LED Grow Light, image post date Aug. 1, 2011, site visited Jul. 8, 2016, <http://www.dhgate.com/store/product/hydroponic-vegetable-10-watt-led-grow-light/216755031.html>.

Sun System 630 Ceramic Metal Halide 120v Specifications, GrowersHouse.com, update on Sep. 9, 2014, Online. Site visited Feb. 3, 2015. http://growershouse.com/aitdownloadablefiles/download/aitfile/aitfile_id/583/.

Growlite HDE 600W-1000W Double Ended Lamp Concealed Vacuum Airflow Technology, Indoor Grow Science, site visited Aug. 3, 2016, <http://www.indoorgrowscience.net/downloads/specs/hde.pdf>.

Sun Systems LEC 315—Reviews?, rollitup.com forum, published Oct. 23, 2013, online. Visited Nov. 8, 2016. <http://rollitup.org/t/sun-sytems-lec-315-reviews.742794>.

Sun System LEC 315 120v Light Emitting Ceramic Metal Halide Fixture w/ Free Ratchet Light Hangers, Amazon.com, earliest review of Jul. 2, 2014, online. Visited Nov. 8, 2016 <https://www.amazon.com/sun-system-emitting-ceramic-fixture/dp/B00HBCV8TM>. LEC 315 Watt Grow Light Great Yield Reports!, YouTube.com, published Mar. 31, 2014, online. Visited Nov. 8, 2016. <https://www.youtube.com/watch?v=QqcoW19KnUk>.

Air Cooled Grow Lights, greensteamhydroponics.com, published May 24, 2014, online. Site visited Nov. 16, 2016. http://web.archive.org/web/20140524103407/http://www.greensteamhydroponics.com/aircooled-reflector-range-from-greenstream-hydroponics/prod_699.html.

AplusChoice-Hydroponics, image post date Dec. 2, 2014, site visited Jul. 13, 2017, (online), https://www.tineye.com/search/6589596c8738268de70acceca20d64855d0f1d2/?sort=crawal_date&order=asc.

Power 600 wat HPS MH Grow Light Digital Dimm System Indoor Garden Set, image post date 2013, site visited Jul. 13, 2017, (online), https://bidjapon.com/item_View.aspx?itemId=150928769289.

* cited by examiner

Primary Examiner — Natasha Vujcic

(74) *Attorney, Agent, or Firm* — J. Douglas Wells

(57)

CLAIM

The ornamental design for a light fixture, as shown and described.

DESCRIPTION

FIG. 1 is a perspective view of a light fixture, as viewed from below, showing my new design;

FIG. 2 is a perspective view of the light fixture shown in FIG. 1, as viewed from above;

FIG. 3 is a left side view of the light fixture shown in FIG. 1;

FIG. 4 is a right side view of the light fixture shown in FIG. 1;

FIG. 5 is a front elevation view of the light fixture shown in FIG. 1;

FIG. 6 is a rear elevation view of the light fixture shown in FIG. 1;

FIG. 7 is a bottom plan view of the light fixture shown in FIG. 1; and,

FIG. 8 is a top plan view of the light fixture shown in FIG. 1.

The broken-line disclosure shown in the views is understood to represent portions of the article in which the claimed design is embodied, but which form no part of the claimed design.

1 Claim, 6 Drawing Sheets

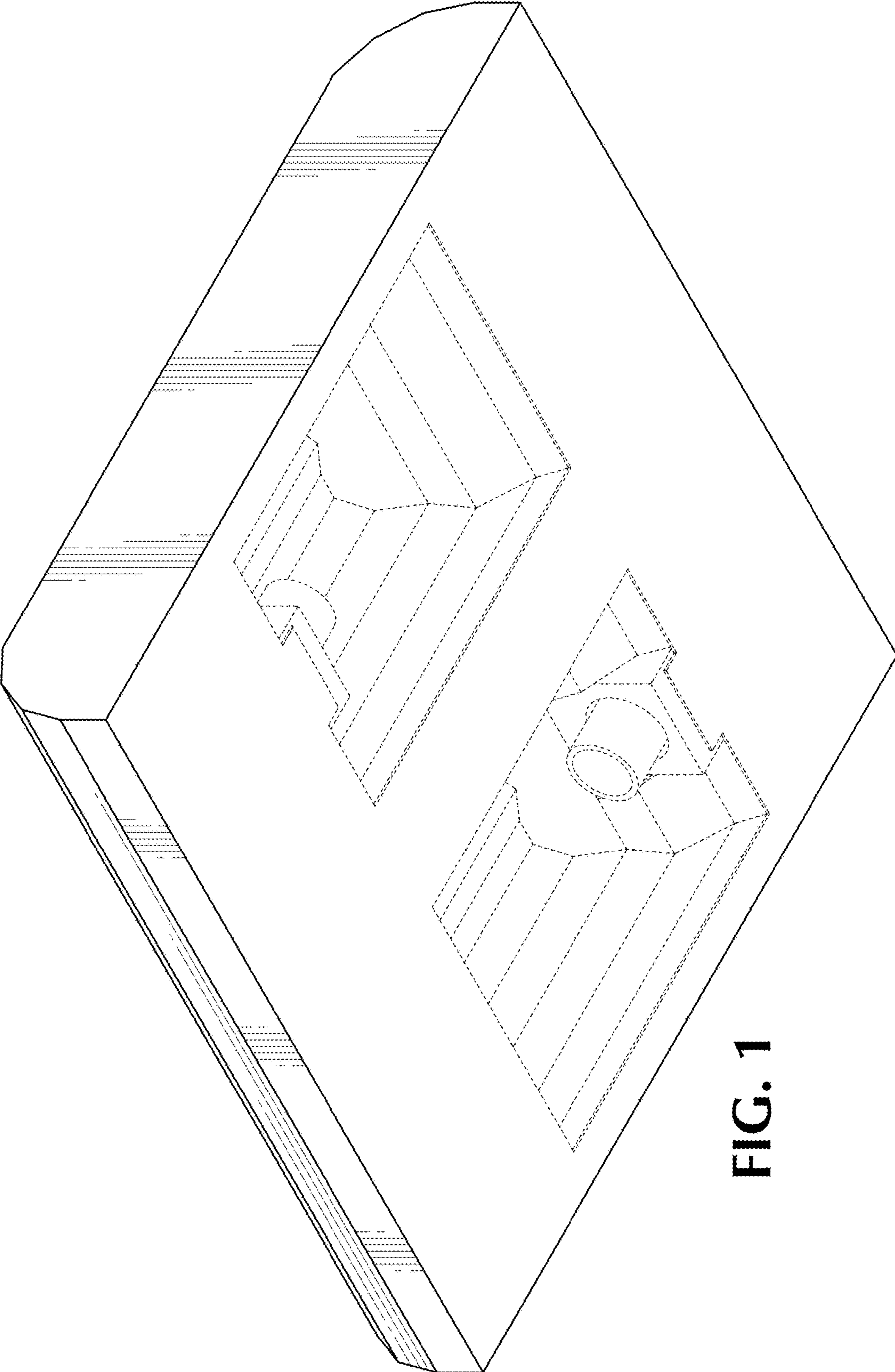


FIG. 1

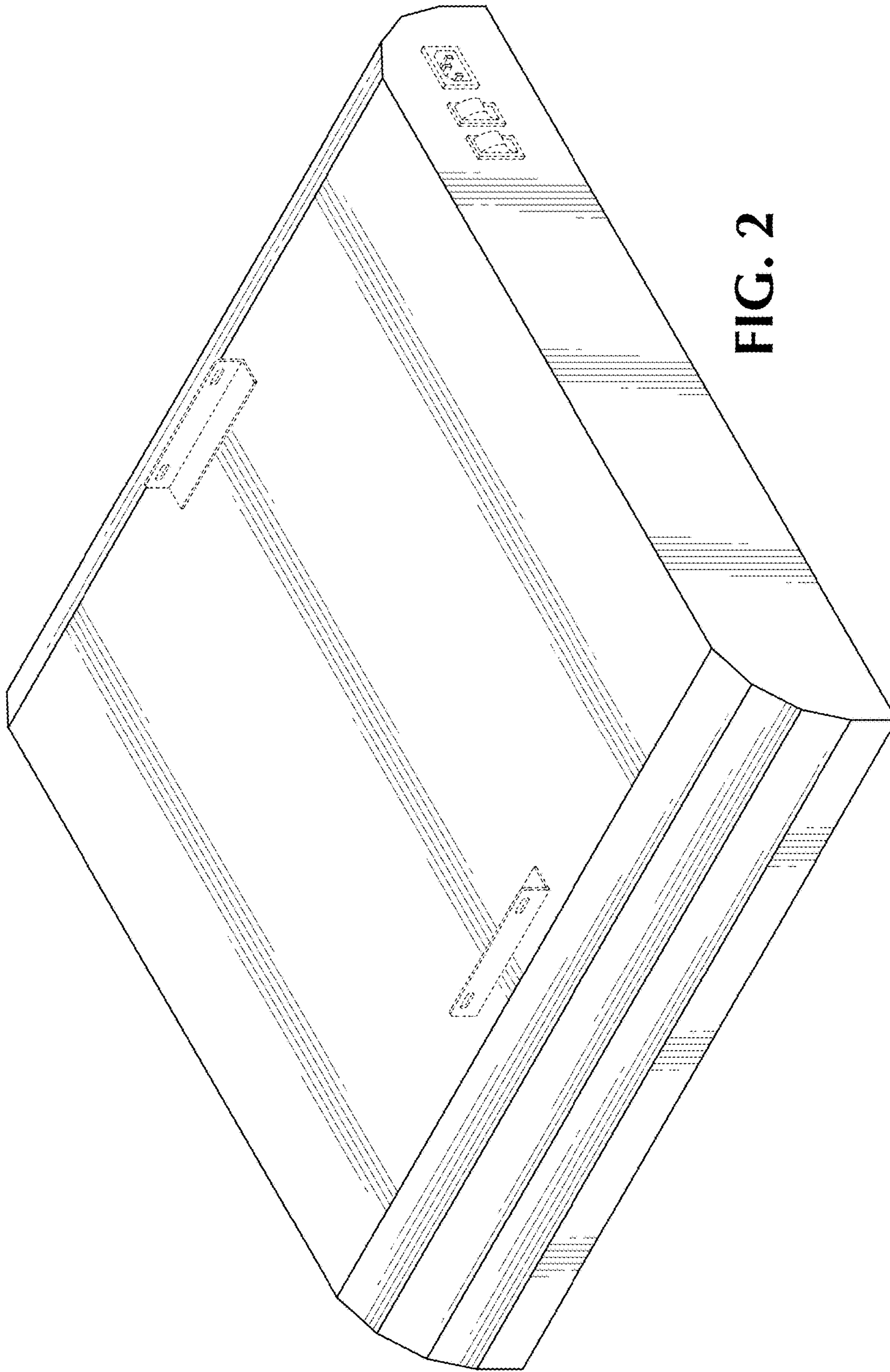


FIG. 2

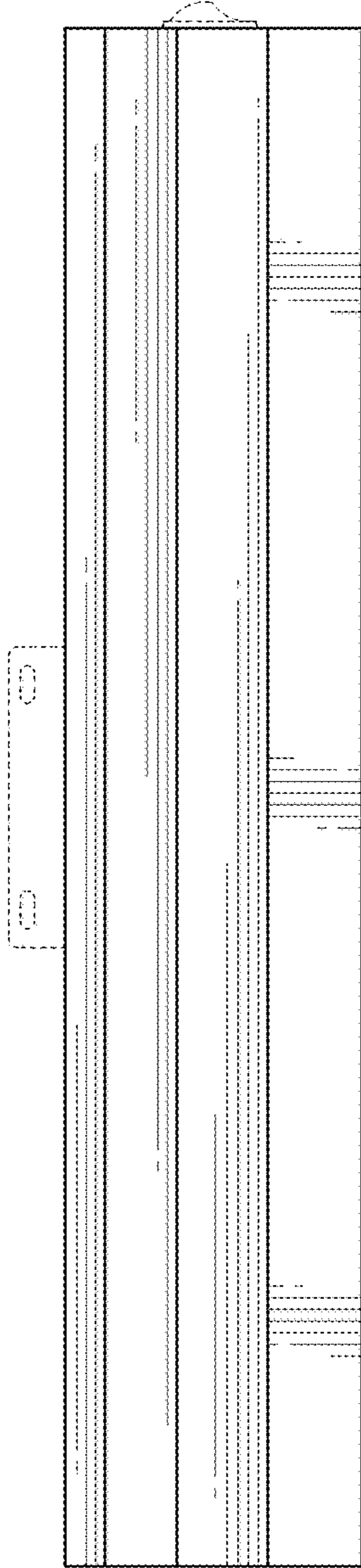


FIG. 3

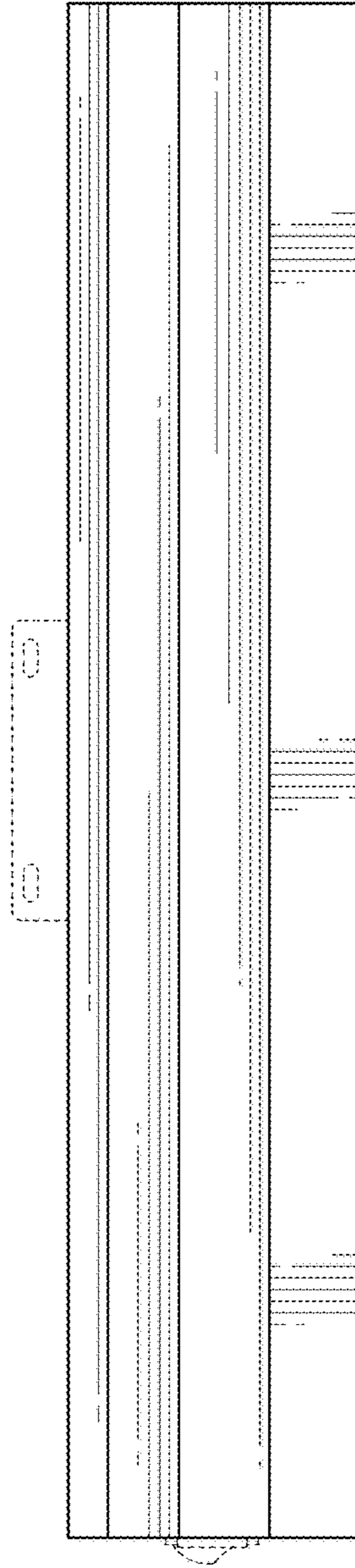


FIG. 4

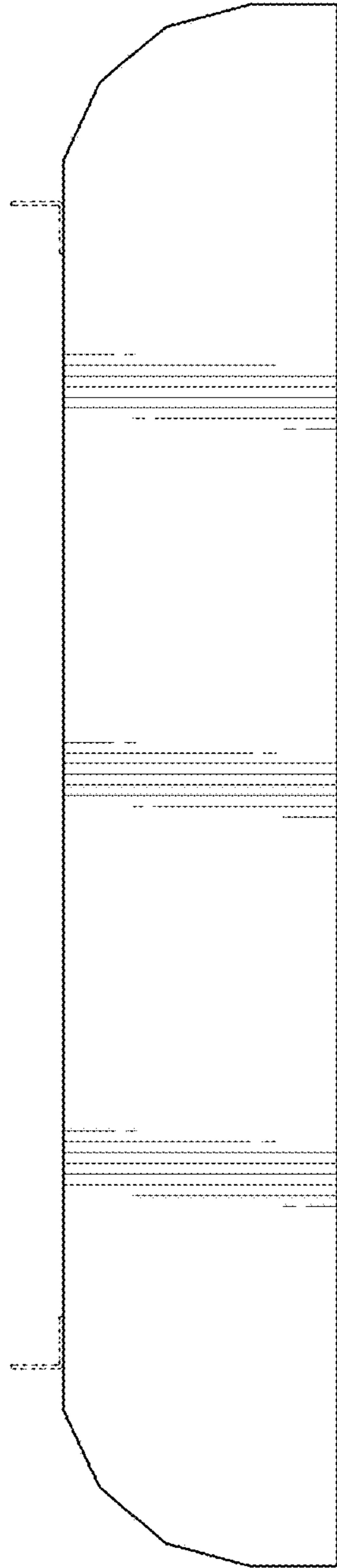


FIG. 5

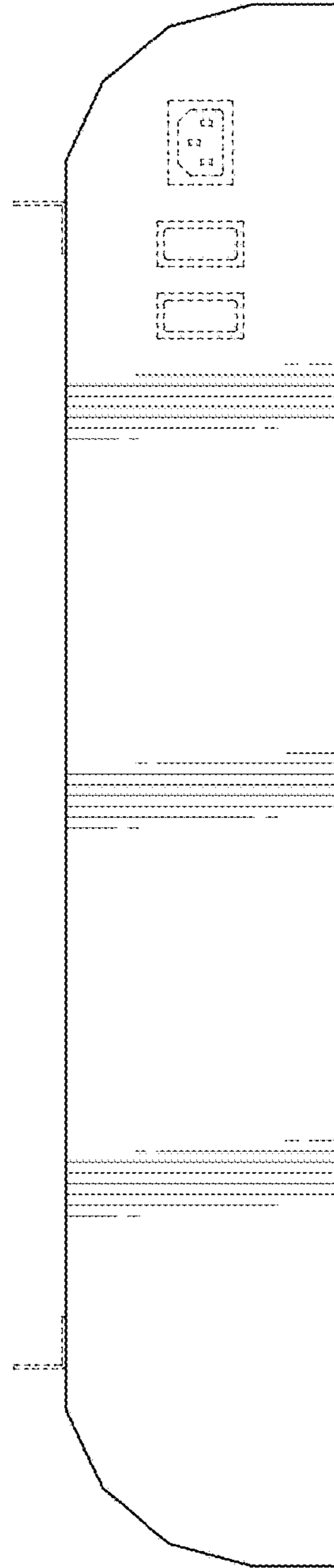


FIG. 6

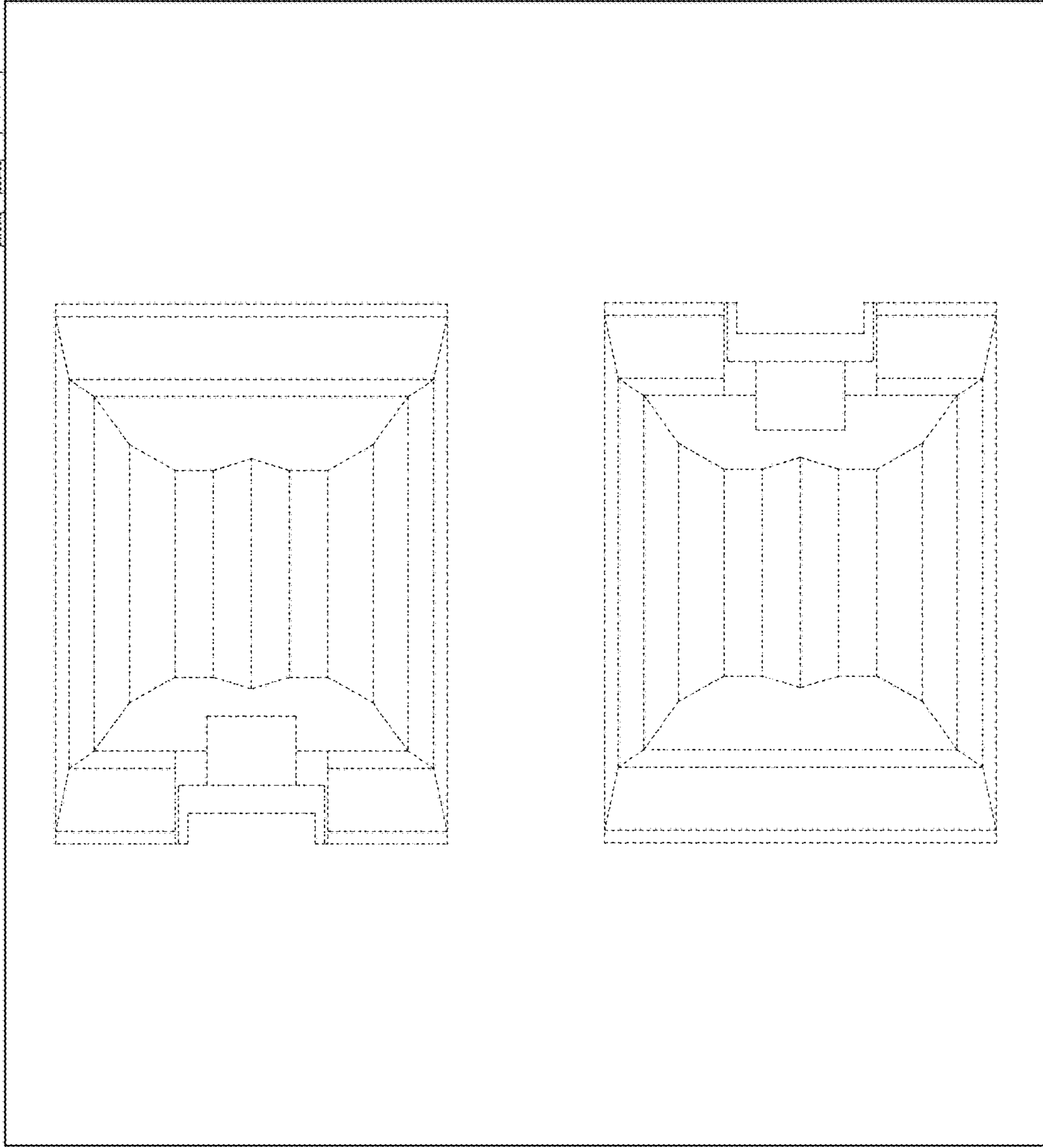


FIG. 7

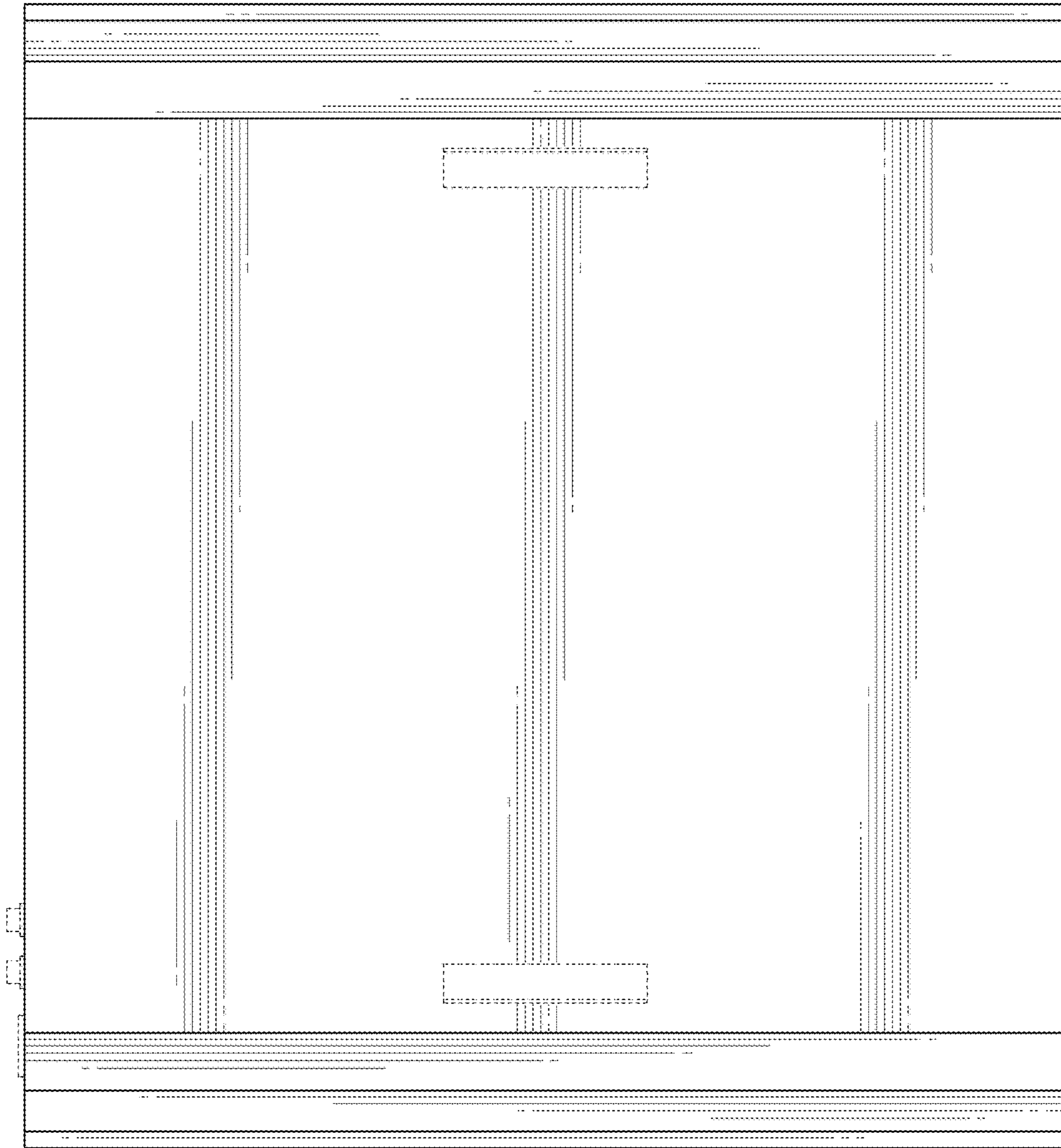


FIG. 8