



US00D851802S

(12) **United States Design Patent** (10) **Patent No.:** **US D851,802 S**  
**Ni et al.** (45) **Date of Patent:** **\*\* \*Jun. 18, 2019**

(54) **PUBLIC LIGHTING FIXTURE**

(56) **References Cited**

(71) Applicant: **SIGNIFY HOLDING B.V.**, Eindhoven (NL)

U.S. PATENT DOCUMENTS

(72) Inventors: **Hai Lin Ni**, Jianyang (CN); **Allan Wang**, Shanghai (CN)

D580,582 S *	11/2008	Fan	.....	D26/71
7,832,898 B2 *	11/2010	Li	.....	F21S 8/086
				362/240
D634,875 S *	3/2011	Jiang	.....	D26/71
7,922,372 B2 *	4/2011	Li	.....	F21S 8/086
				362/373
D646,420 S *	10/2011	Chen	.....	D26/71
D648,473 S *	11/2011	Lin	.....	D26/71
D660,494 S *	5/2012	Wang	.....	D26/71
D666,759 S *	9/2012	Lane	.....	D26/71
D672,492 S *	12/2012	Butler	.....	D26/71
D673,318 S *	12/2012	Lane	.....	D26/71
D673,720 S *	1/2013	Bailey	.....	D26/138
D674,527 S *	1/2013	Du	.....	D26/71
D674,950 S *	1/2013	Lueken	.....	D26/71
D676,178 S *	2/2013	Akinrele	.....	D26/71
D676,589 S *	2/2013	Elam	.....	D26/71
D683,061 S *	5/2013	Ham	.....	D26/71
D694,935 S *	12/2013	Zheng	.....	D26/71
D695,438 S *	12/2013	Liu	.....	D26/71
D695,938 S *	12/2013	Galvan	.....	D26/71
D717,988 S *	11/2014	Zhu	.....	D26/71

(73) Assignee: **SIGNIFY HOLDING B.V.**, Eindhoven (NL)

(\*) Notice: This patent is subject to a terminal disclaimer.

(\*\*) Term: **15 Years**

(21) Appl. No.: **35/502,642**

(22) Filed: **Feb. 10, 2017**

(80) **Hague Agreement Data**

Int. Filing Date: **Feb. 10, 2017**  
Int. Reg. No.: **DM/095125**  
Int. Reg. Date: **Feb. 10, 2017**  
Int. Reg. Pub. Date: **Mar. 17, 2017**

(30) **Foreign Application Priority Data**

Aug. 12, 2016 (EM) ..... 003339548-0001

(51) **LOC (11) Cl.** ..... **26-05**

(52) **U.S. Cl.**  
USPC ..... **D26/71**

(58) **Field of Classification Search**

USPC ..... D26/63, 67-72, 92  
CPC .... F21S 8/08; F21S 8/085; F21S 8/086; F21S 8/088; F21W 2111/02; F21W 2131/103; F21W 2131/107; F21V 29/20; F21V 29/83; F21V 29/90

See application file for complete search history.

(Continued)

Primary Examiner — Darlington Ly

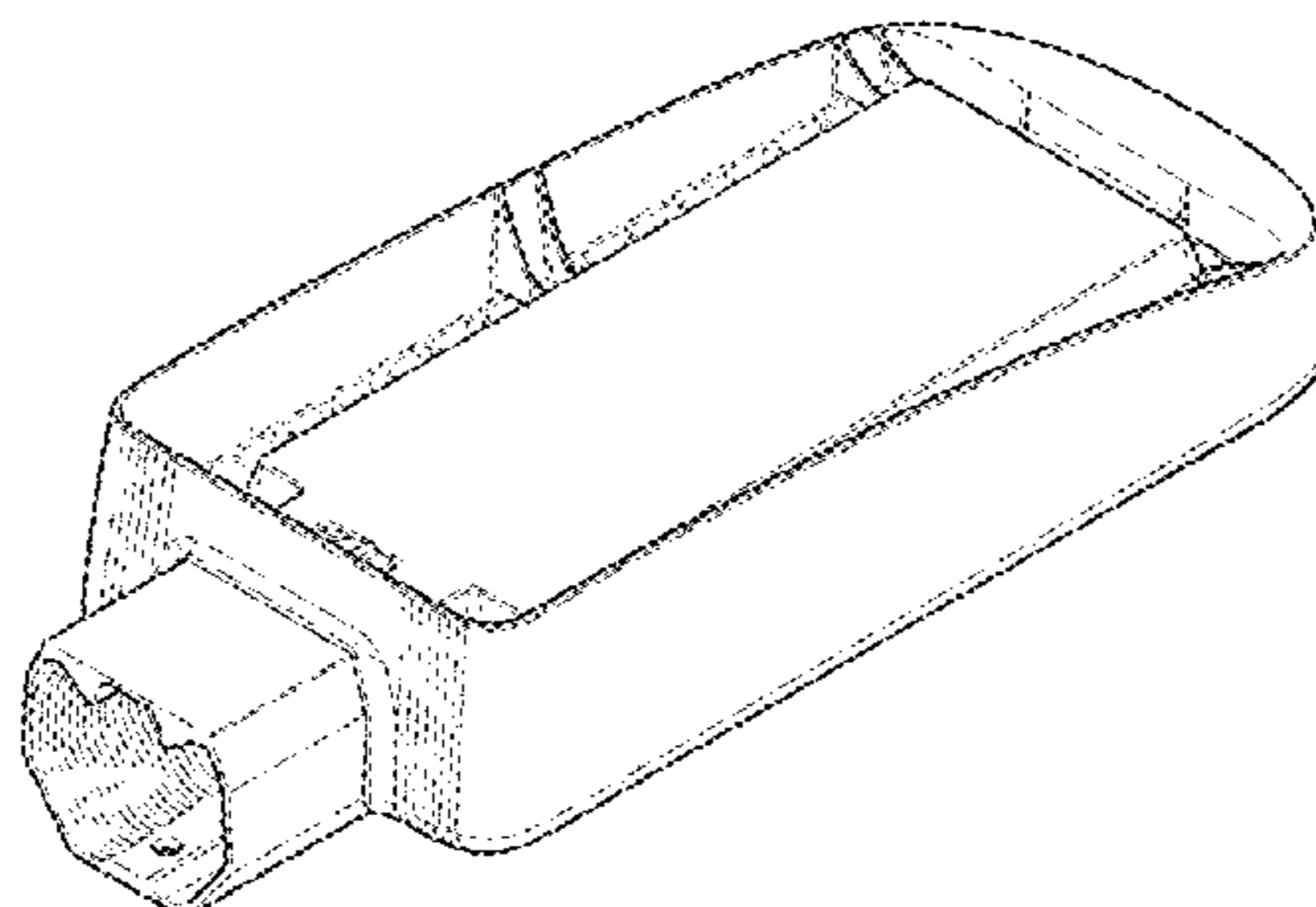
(57) **CLAIM**

The ornamental design for a public lighting fixture, as shown and described.

**DESCRIPTION**

1. Public lighting fixture
- 1.1 is a perspective view of a public lighting fixture showing my new design;
- 1.2 is a front elevation view thereof;
- 1.3 is a rear elevation view thereof;
- 1.4 is a right side elevation view thereof;
- 1.5 is a left side elevation view thereof;
- 1.6 is a top plan view thereof; and
- 1.7 is a bottom plan view thereof.

(Continued)



The broken lines in the reproductions illustrate portions of the public lighting fixture that from no part of the claimed design.

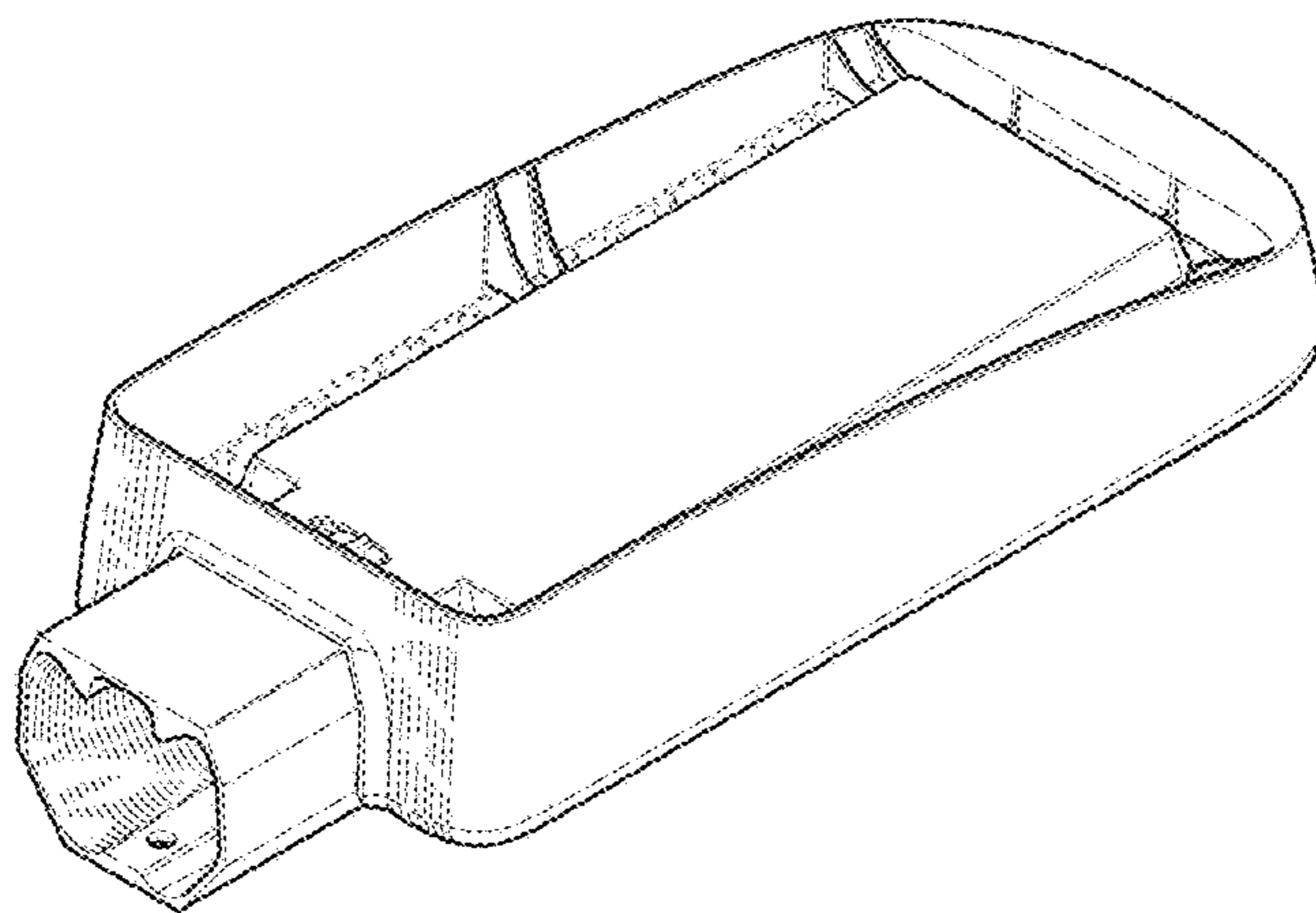
**1 Claim, 4 Drawing Sheets**

(56) **References Cited**

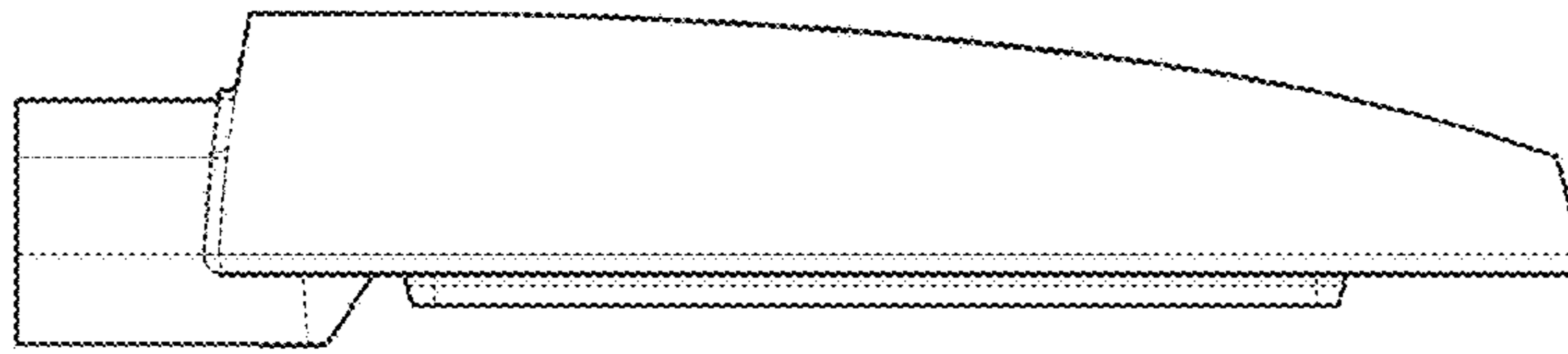
U.S. PATENT DOCUMENTS

D747,527	S *	1/2016	Guercio	.....	D26/71
D765,298	S *	8/2016	Frisee	.....	D26/71
D770,660	S *	11/2016	Yang	.....	D26/71
D785,231	S *	4/2017	Shundong	.....	D26/92
2013/0188371	A1 *	7/2013	Ham	.....	F21V 29/20 362/373
2016/0061428	A1 *	3/2016	Nimma	.....	F21V 31/005 362/236

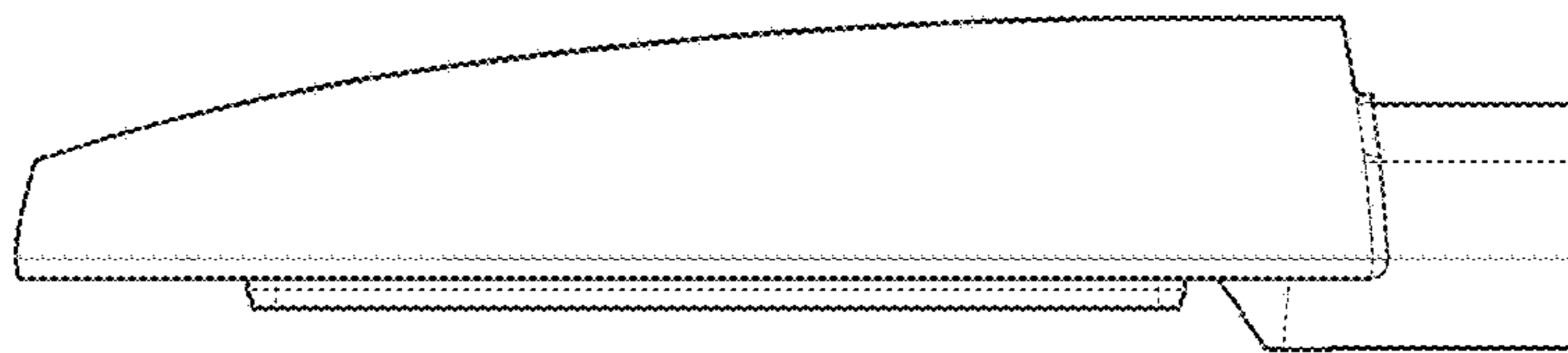
\* cited by examiner



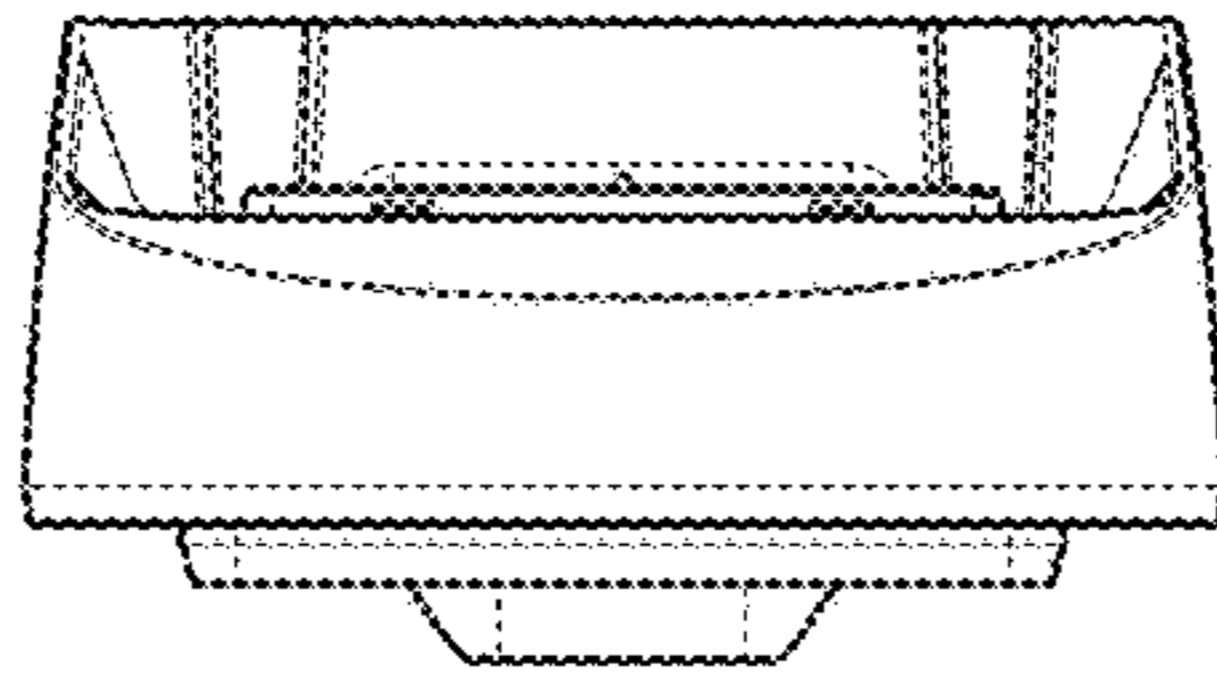
1.1



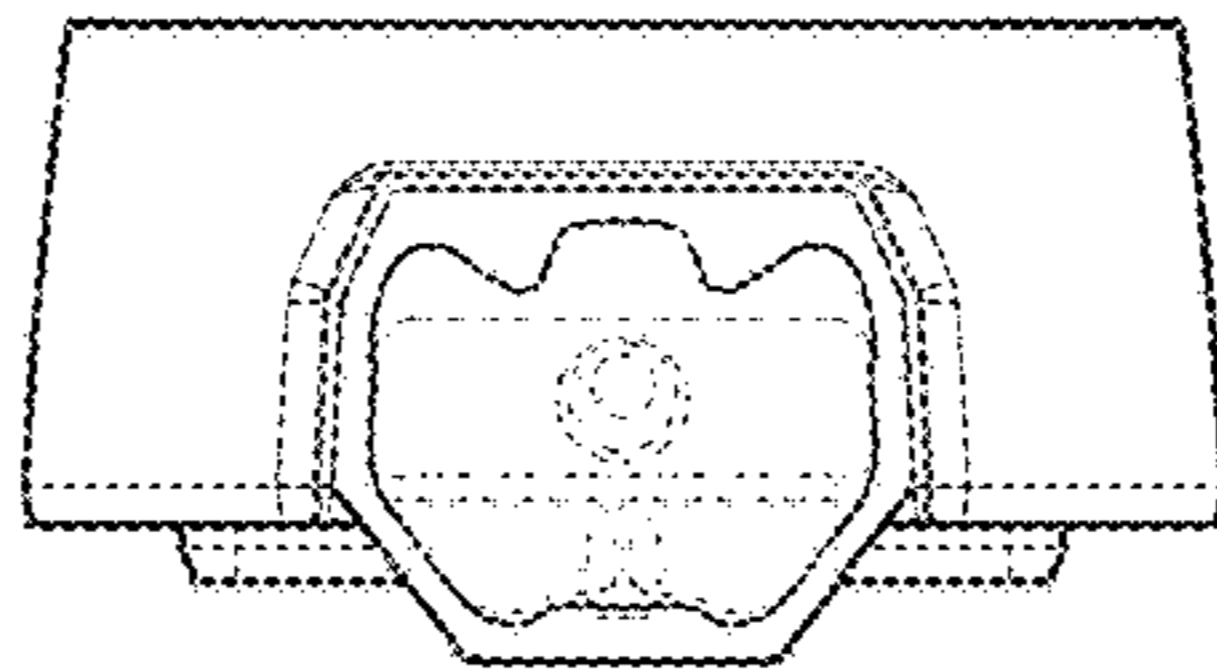
1.2



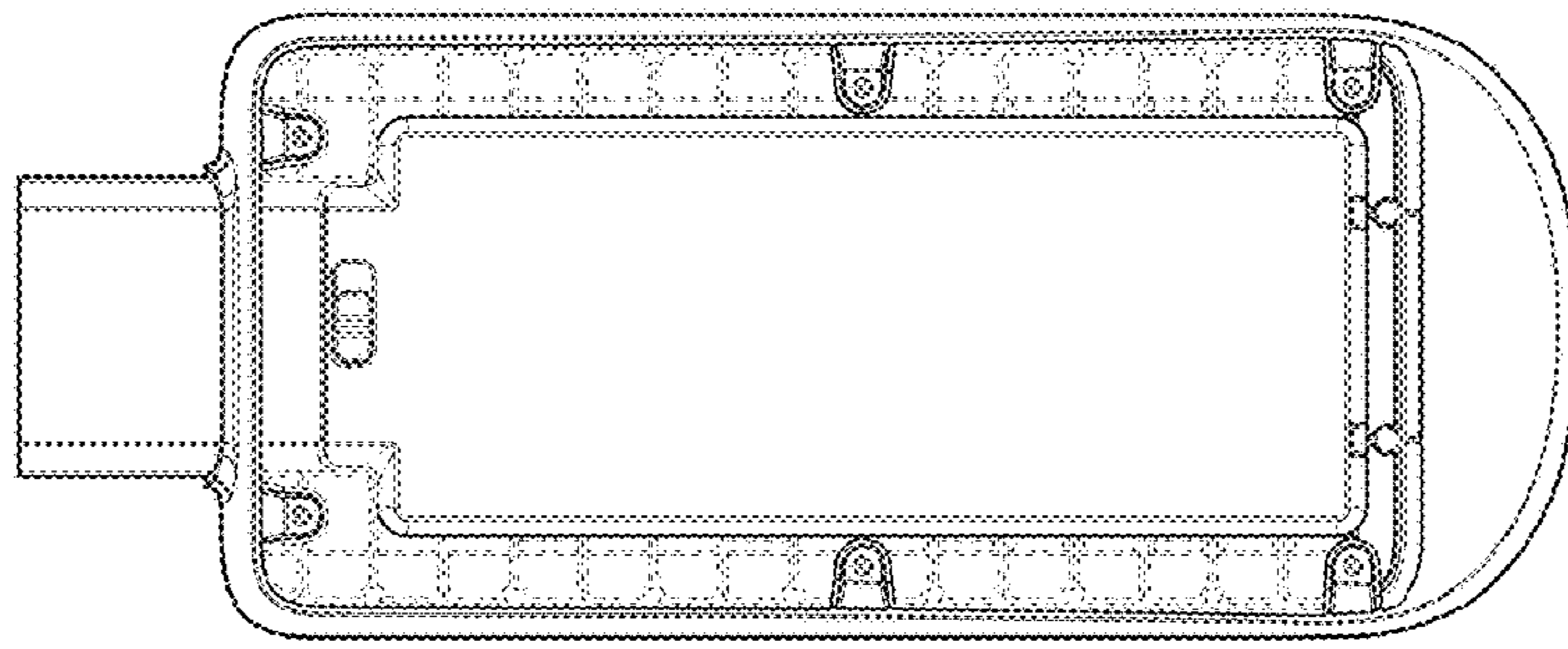
1.3



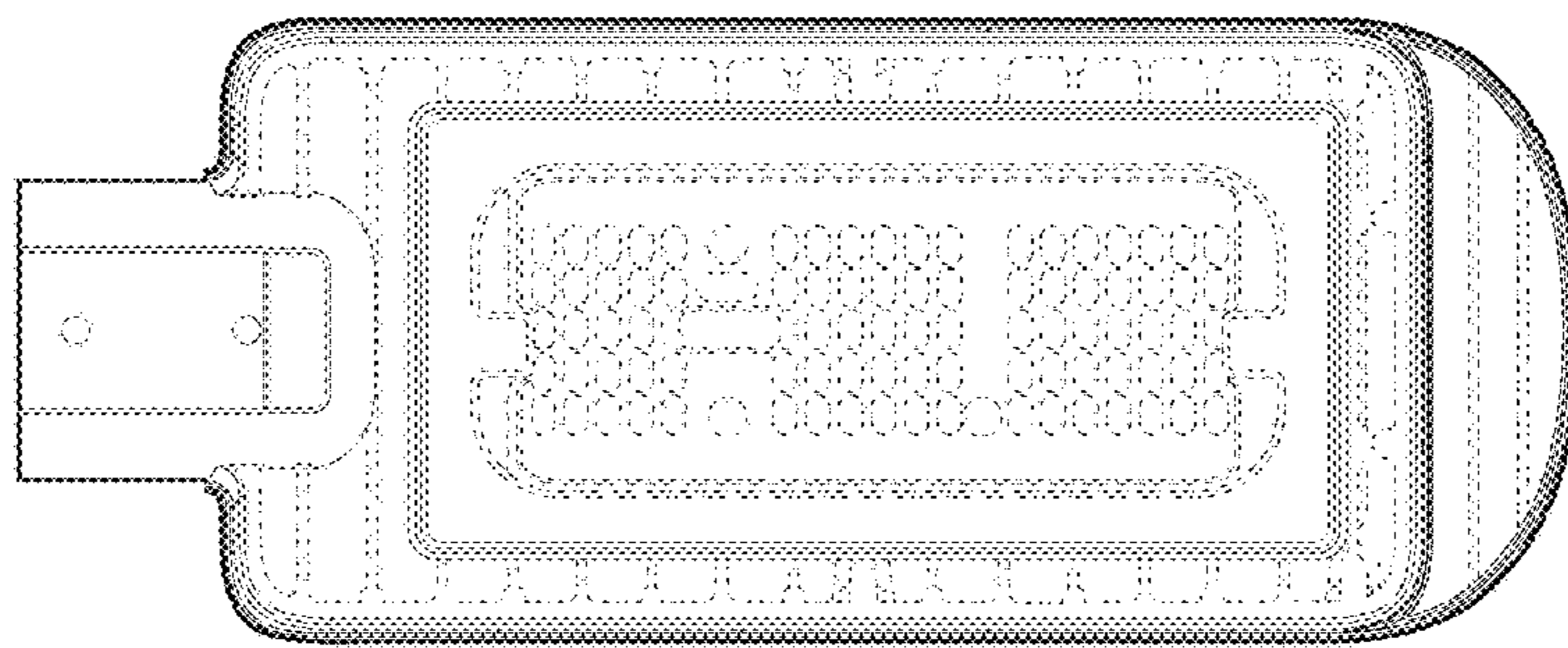
1.4



1.5



1.6



1.7