



US00D851800S

(12) **United States Design Patent**  
**Nankil**

(10) **Patent No.:** **US D851,800 S**

(45) **Date of Patent:** **\*\* Jun. 18, 2019**

(54) **LIGHTING FIXTURE HAVING STRUTS**

(56) **References Cited**

(71) Applicant: **Hubbell Incorporated**, Shelton, CT  
(US)

U.S. PATENT DOCUMENTS

(72) Inventor: **Robert R. Nankil**, Buena Park, CA  
(US)

999,813 A	8/1911	Losey
1,019,246 A	3/1912	Godinez
1,082,753 A	12/1913	Losey
1,473,380 A	11/1923	Peterson
D75,057 S	5/1928	Rosenblatt
D75,420 S	6/1928	Frerichs

(Continued)

(73) Assignee: **Hubbell Incorporated**, Shelton, CT  
(US)

(\*\*) Term: **15 Years**

FOREIGN PATENT DOCUMENTS

(21) Appl. No.: **29/601,927**

GB	2025424	5/1993
GB	2044993	2/1995

(Continued)

(22) Filed: **Apr. 27, 2017**

**Related U.S. Application Data**

*Primary Examiner* — Clare E Heflin

(62) Division of application No. 29/552,851, filed on Jan. 26, 2016, now Pat. No. Des. 785,847, which is a division of application No. 29/502,213, filed on Sep. 12, 2014, now Pat. No. Des. 751,747, which is a division of application No. 29/440,322, filed on Dec. 20, 2012, now Pat. No. Des. 715,475, which is a division of application No. 29/419,121, filed on Apr. 25, 2012, now Pat. No. Des. 676,588, which is a division of application No. 29/401,710, filed on Sep. 14, 2011, now Pat. No. Des. 662,647, which is a division of application No. 29/347,584, filed on Mar. 8, 2010, now Pat. No. Des. 647,235.

(74) *Attorney, Agent, or Firm* — Michael Best & Friedrich, LLP

(51) **LOC (11) Cl.** ..... **26-05**

(57) **CLAIM**

(52) **U.S. Cl.**

The ornamental design for a lighting fixture having struts, as shown and described.

USPC ..... **D26/67**

**DESCRIPTION**

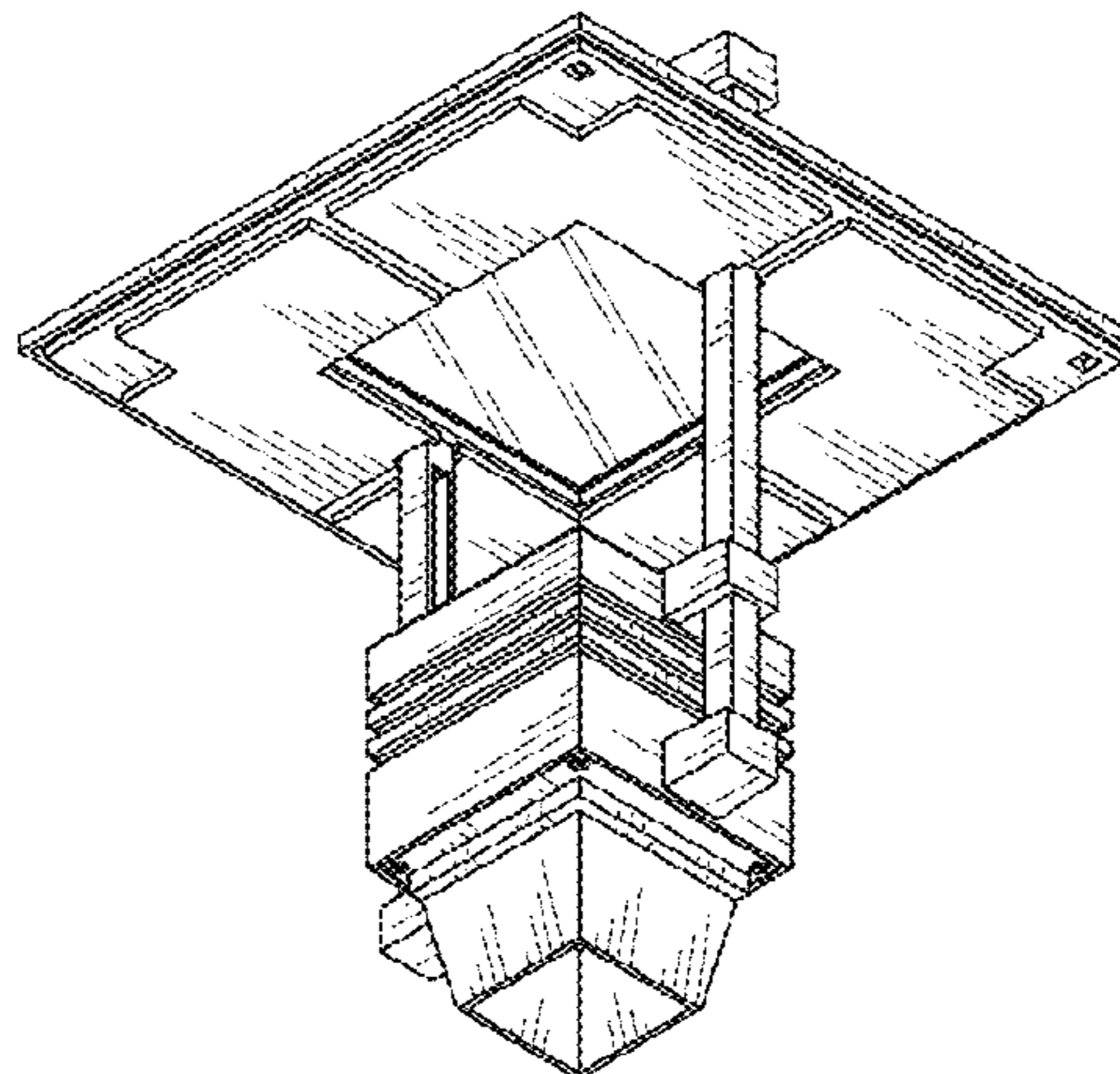
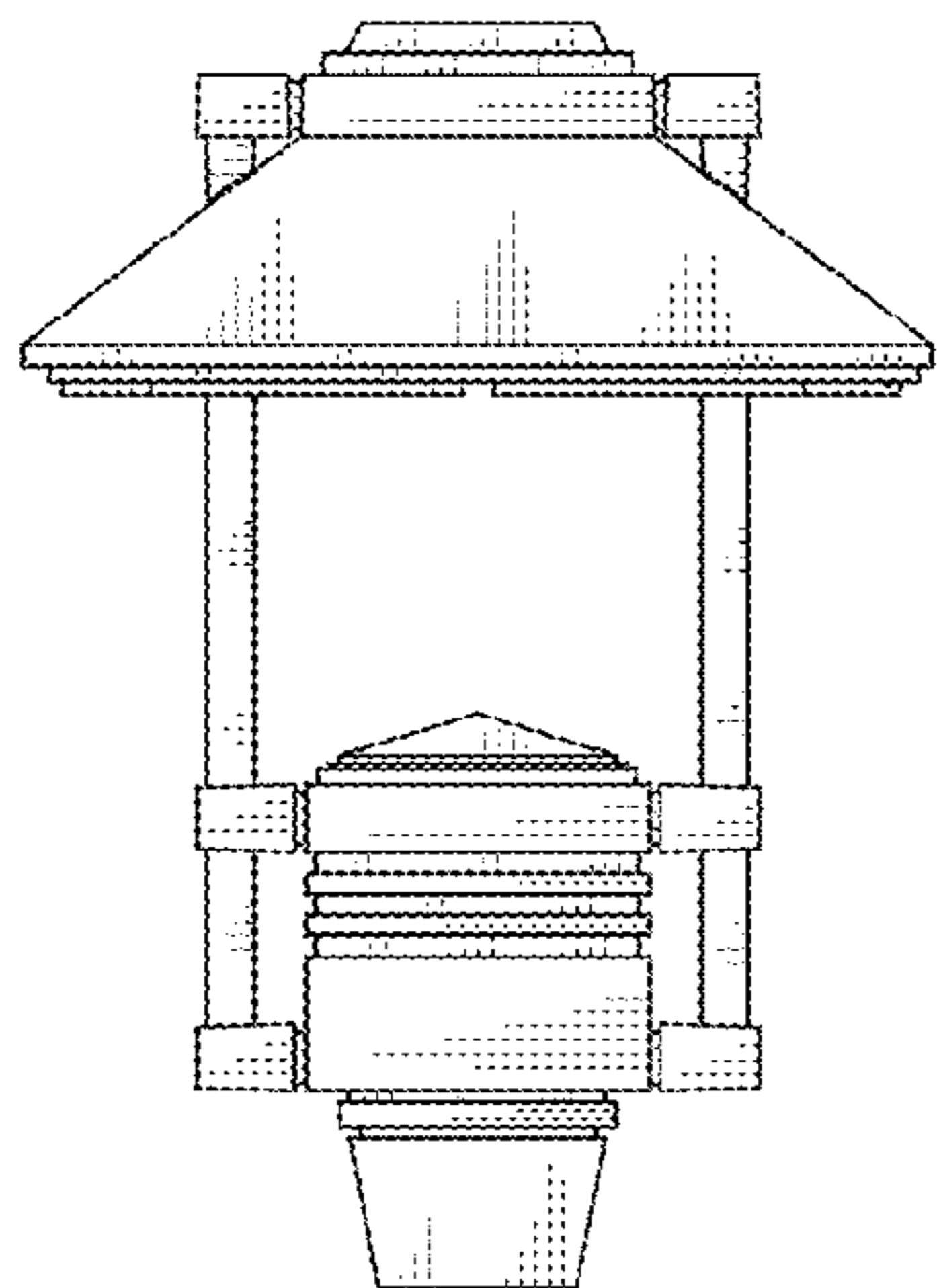
(58) **Field of Classification Search**

USPC ..... D26/67-70, 72, 84, 85  
CPC .... F21S 6/004; F21S 6/005; F21S 8/06; F21S 8/061; F21S 8/063; F21S 8/068; F21S 8/08; F21S 8/081; F21S 8/083; F21S 8/088; F21S 9/03; F21S 9/032; F21S 9/035; F21S 9/037; F21V 21/0824; F21W 2131/109

FIG. 1 is a top plan view of a lighting fixture having struts showing the new design;  
FIG. 2 is a top perspective view of the lighting fixture illustrated in FIG. 1;  
FIG. 3 is a front elevational view of the lighting fixture illustrated in FIGS. 1 and 2, the back elevational view being the mirror image thereof;  
FIG. 4 is a left side elevational view of the lighting fixture illustrated in FIGS. 1-3, the right side being the mirror image thereof;  
FIG. 5 is a bottom plan view of the lighting fixture illustrated in FIGS. 1-4; and,  
FIG. 6 is a bottom perspective view of the lighting fixture illustrated in FIGS. 1-5.

See application file for complete search history.

**1 Claim, 3 Drawing Sheets**



(56)

References Cited

U.S. PATENT DOCUMENTS

1,732,745 A 10/1929 Erskine  
 D82,136 S 9/1930 Chapman  
 D85,931 S 1/1932 Graff  
 D100,556 S 7/1936 Gosling  
 D125,314 S 2/1941 Proulx  
 D138,831 S 9/1944 McCann  
 D152,994 S 3/1949 McCann  
 D154,302 S 6/1949 Palmquist  
 2,523,818 A 9/1950 Cortes  
 D160,899 S 11/1950 Stevens  
 2,793,285 A 5/1957 Brainerd  
 D185,974 S 8/1959 Rambusch et al.  
 D194,624 S 2/1963 Pettingill  
 D199,266 S 9/1964 Izzi  
 D199,409 S 10/1964 Von Steenhoven  
 3,194,952 A 7/1965 Wells  
 3,207,893 A \* 9/1965 Nado ..... F21S 8/088  
 362/221  
 D208,659 S 9/1967 Koziol  
 D210,015 S 1/1968 Kahn  
 D211,277 S 6/1968 Layton  
 D219,022 S 10/1970 Yamazaki  
 D225,563 S 12/1972 Mackey  
 3,833,804 A 9/1974 Vesely  
 D235,677 S 7/1975 Goldberg  
 D235,914 S 7/1975 Schacht  
 D239,460 S 4/1976 Schacht  
 D245,506 S 6/1977 Kikoler  
 4,069,415 A 1/1978 Dacal  
 D298,861 S 12/1988 Ewing et al.  
 4,858,088 A 8/1989 Agabekov  
 4,951,184 A 8/1990 Makurof  
 D338,977 S 8/1993 Ewing et al.  
 5,384,694 A 1/1995 Yang  
 5,430,631 A 7/1995 Dick  
 D383,238 S 9/1997 Chen  
 D403,097 S 12/1998 Littman  
 D411,030 S 6/1999 Chen  
 D426,913 S 6/2000 Johnson  
 D427,349 S 6/2000 Landefeld  
 D427,350 S 6/2000 Landefeld  
 D427,351 S 6/2000 Landefeld  
 D427,705 S 7/2000 Landefeld  
 D444,584 S 7/2001 Landefeld  
 D447,591 S 9/2001 Hsu  
 D453,388 S 2/2002 Leen  
 D465,296 S 11/2002 Difaasquale  
 6,494,599 B1 12/2002 Leen  
 D473,333 S 4/2003 Willmorth  
 D506,281 S 6/2005 Randazzo et al.  
 D518,221 S 3/2006 Randazzo et al.  
 7,066,613 B2 6/2006 Vishwamitra  
 D524,475 S 7/2006 Randazzo et al.  
 D535,472 S 1/2007 Chandler

D537,189 S 2/2007 Zhang  
 D537,556 S 2/2007 Summerford et al.  
 D553,286 S 10/2007 Chung et al.  
 D563,584 S 3/2008 Lee et al.  
 7,387,409 B1 6/2008 Beadle  
 D580,084 S 11/2008 Walsh  
 D580,581 S 11/2008 Grant  
 D583,494 S 12/2008 Friedman et al.  
 7,473,016 B2 1/2009 Flaherty et al.  
 D586,493 S 2/2009 Parres  
 D589,194 S 3/2009 Sabernig  
 D594,152 S 6/2009 Miranda  
 D597,696 S 8/2009 Sabernig  
 D601,291 S 9/2009 Nankil  
 D625,455 S 10/2010 Sonneman  
 D625,456 S 10/2010 Sonneman  
 D625,457 S 10/2010 Sonneman  
 D625,878 S 10/2010 Sabernig  
 D629,949 S 12/2010 Ho  
 D629,954 S 12/2010 Compton  
 D639,995 S 6/2011 Compton  
 D640,806 S 6/2011 Zheng  
 D646,832 S 10/2011 Chen  
 D647,235 S 10/2011 Nankil  
 D728,143 S 4/2015 Nankil  
 D740,992 S 10/2015 Orozco  
 D751,747 S 3/2016 Nankil  
 D760,939 S 7/2016 Hoang  
 D773,716 S 12/2016 Nankil  
 9,551,481 B1 \* 1/2017 Chen ..... F21S 8/033  
 2003/0202340 A1 10/2003 Wu  
 2006/0274537 A1 12/2006 Randazzo  
 2010/0246194 A1 \* 9/2010 Nankil ..... F21S 2/00  
 362/368  
 2011/0228523 A1 \* 9/2011 Zheng ..... F21S 9/03  
 362/184  
 2013/0094208 A1 \* 4/2013 Gill ..... F21S 8/088  
 362/235  
 2017/0082260 A1 \* 3/2017 Kao ..... G02B 19/0061  
 2017/0278985 A1 \* 9/2017 Izardel ..... F21S 9/037  
 2017/0292680 A1 \* 10/2017 Utting ..... F21V 13/14  
 2018/0003353 A1 \* 1/2018 Izradel ..... F21S 9/026  
 2018/0187846 A1 \* 7/2018 Cohen ..... F21S 9/037  
 2018/0209594 A1 \* 7/2018 Parisi ..... F21L 4/00

FOREIGN PATENT DOCUMENTS

GB 2046752 8/1995  
 GB 2057479 11/1995  
 GB 2088112 11/1999  
 GB 3005118 7/2002  
 GB 3009606 12/2002  
 GB 3010811 2/2003  
 GB 3010812 2/2003  
 GB 3010813 7/2003  
 GB 4005870 2/2008

\* cited by examiner

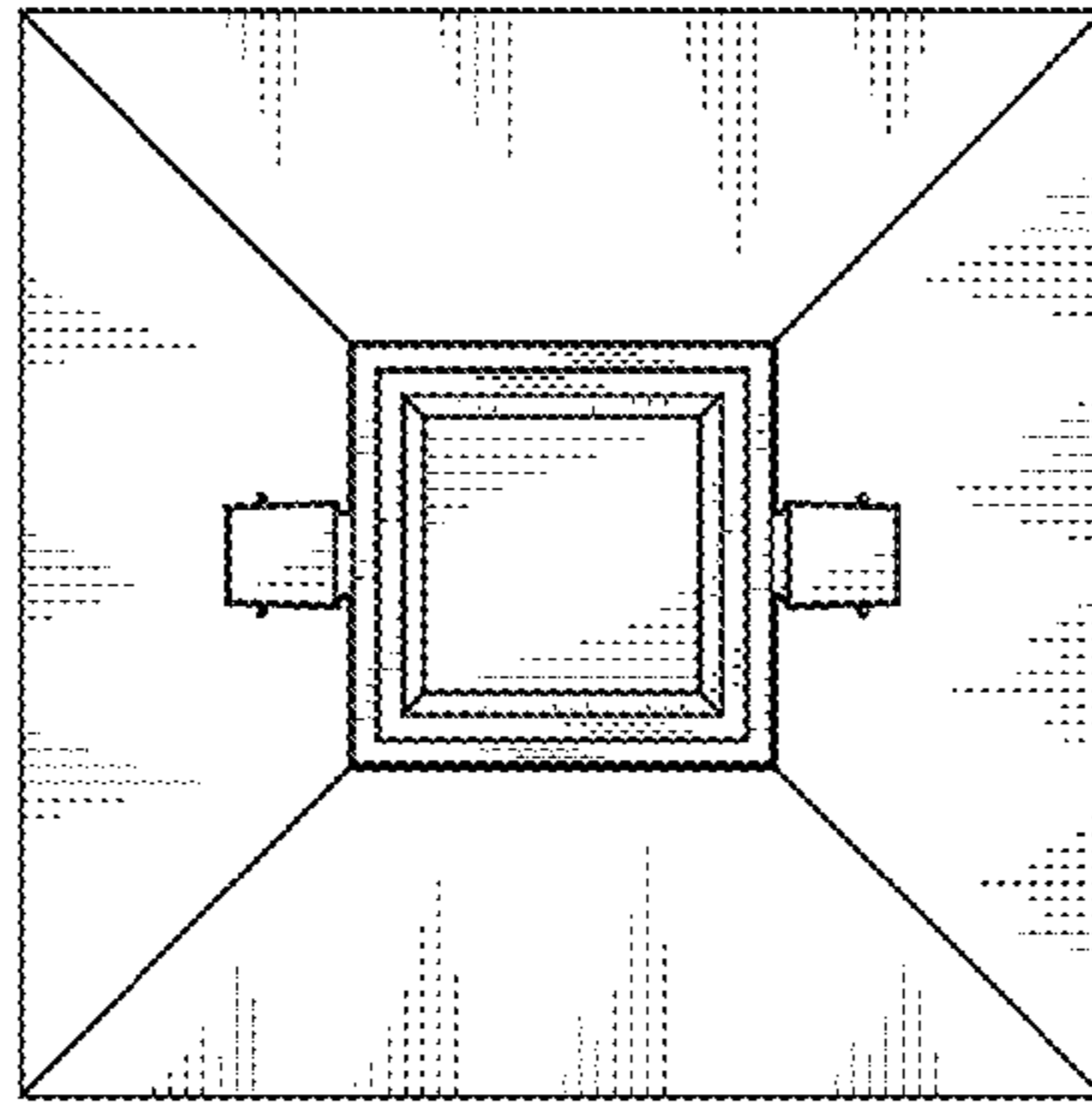


FIG. 1

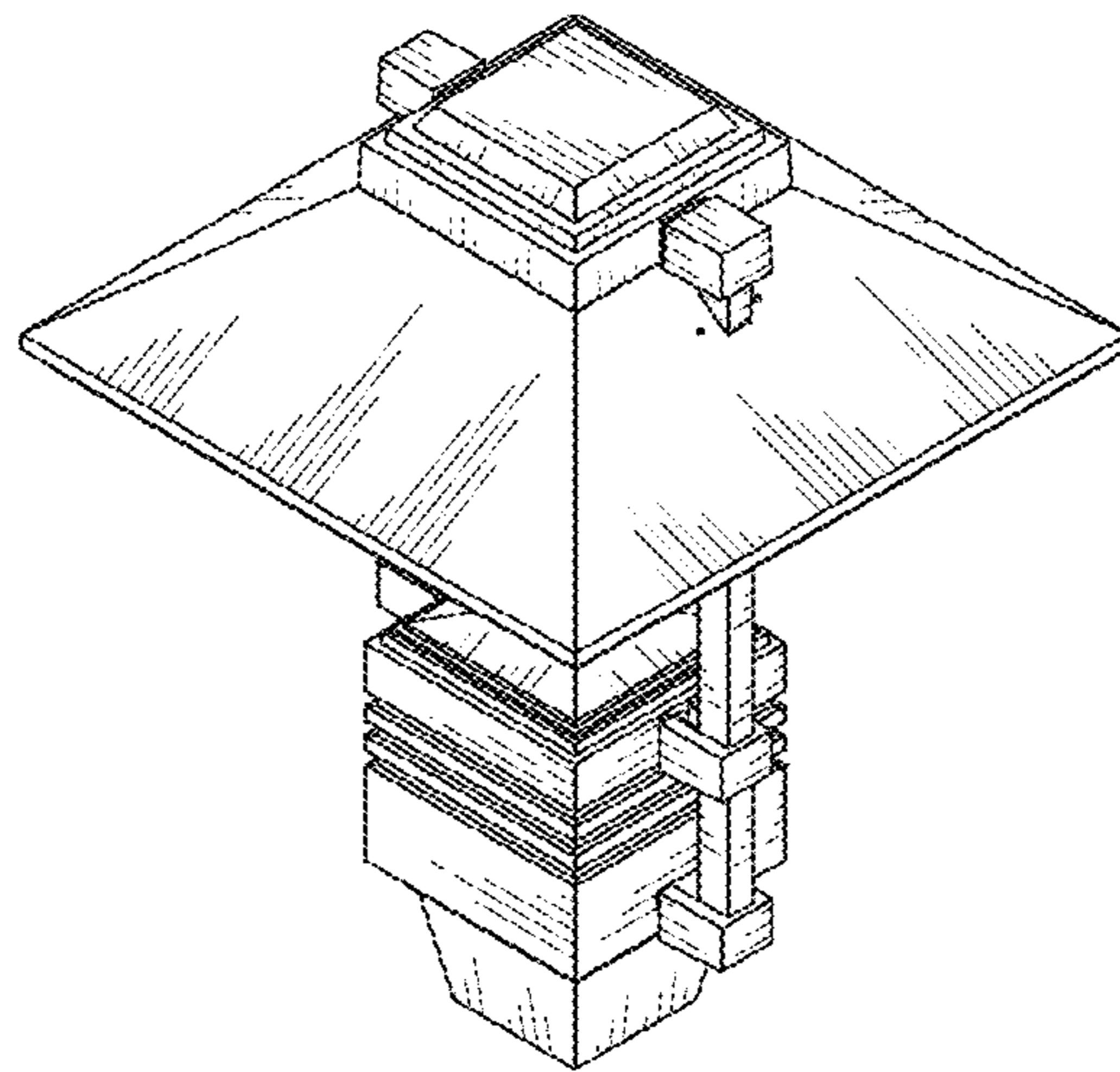


FIG. 2



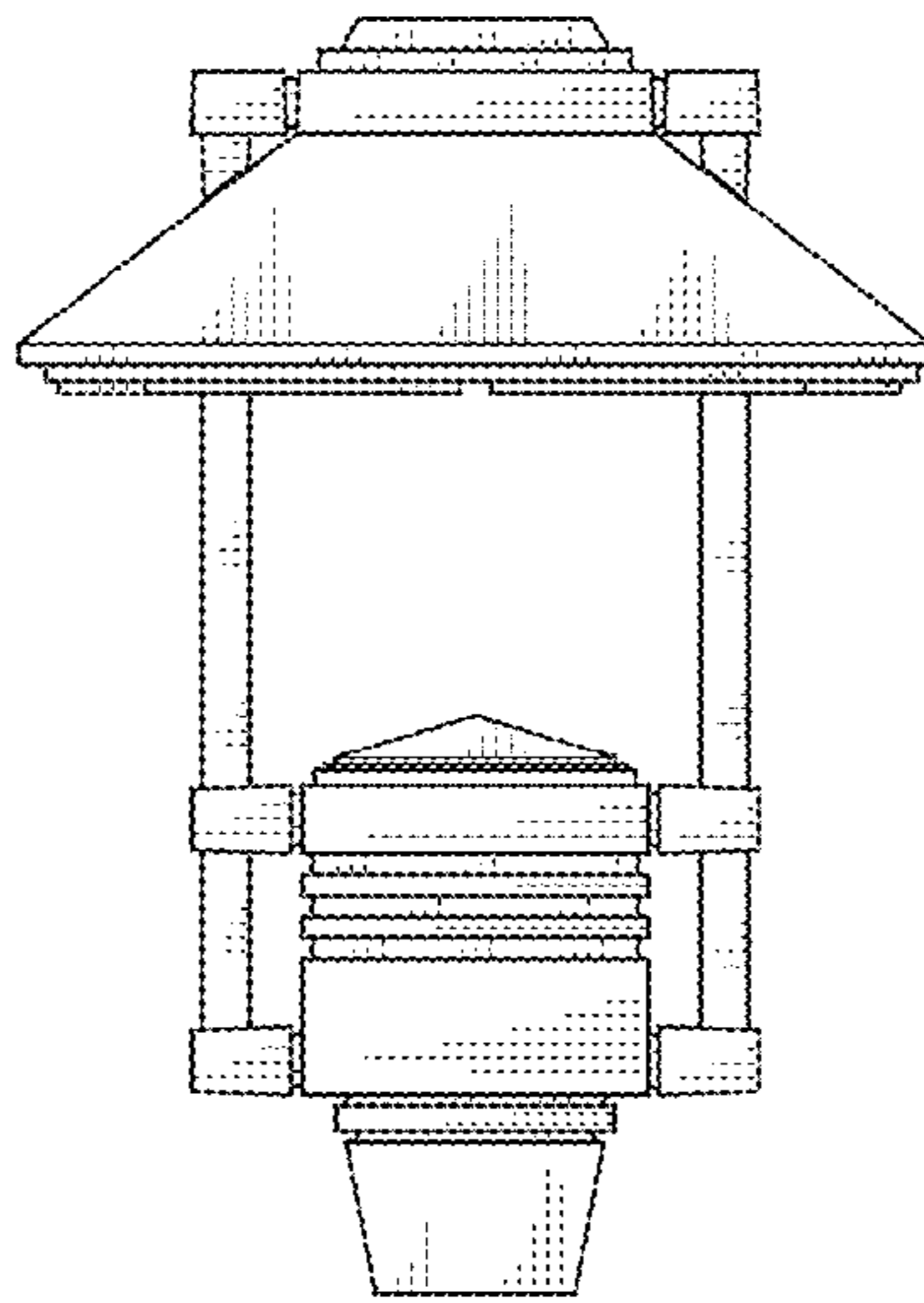


FIG. 3

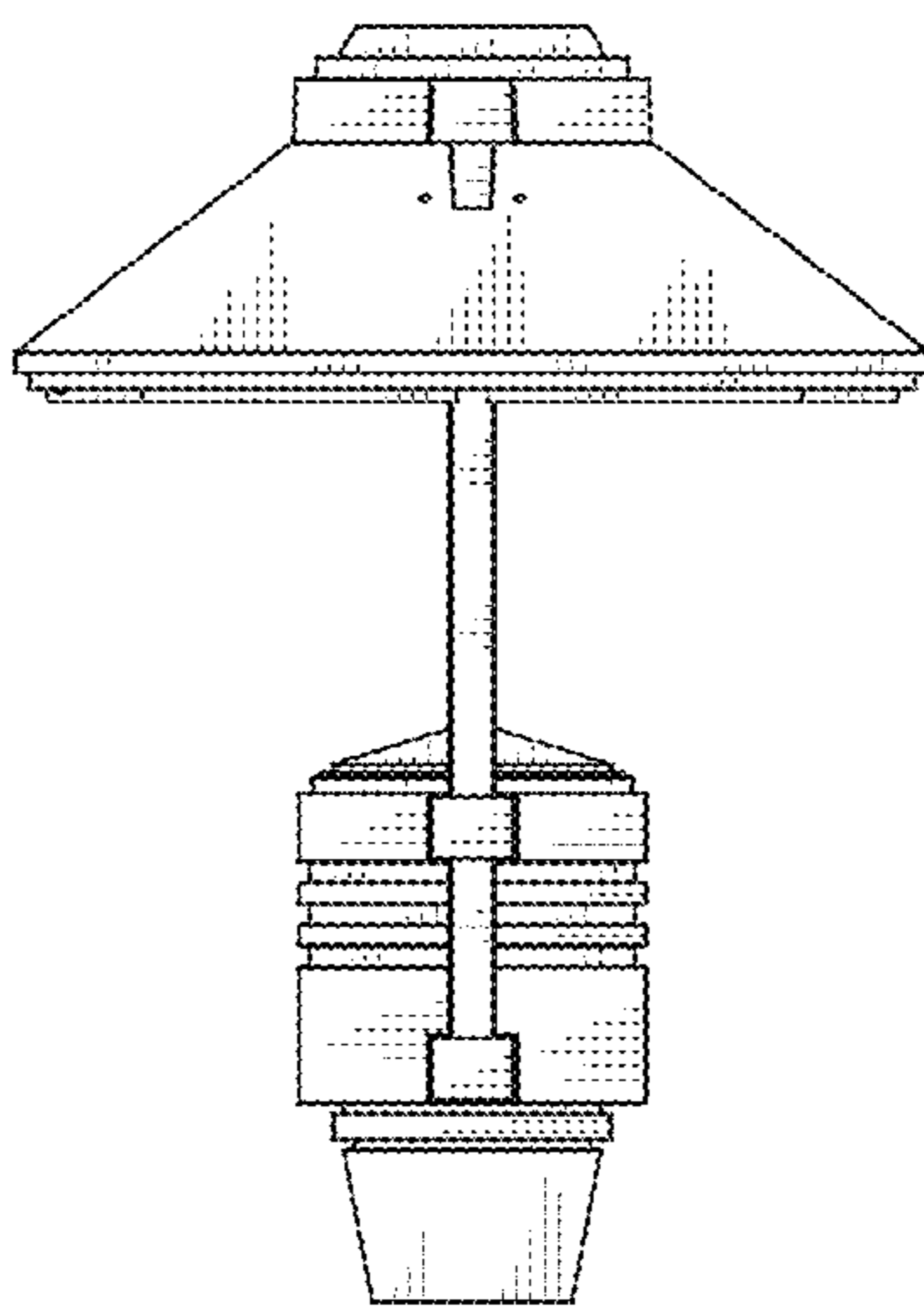


FIG. 4

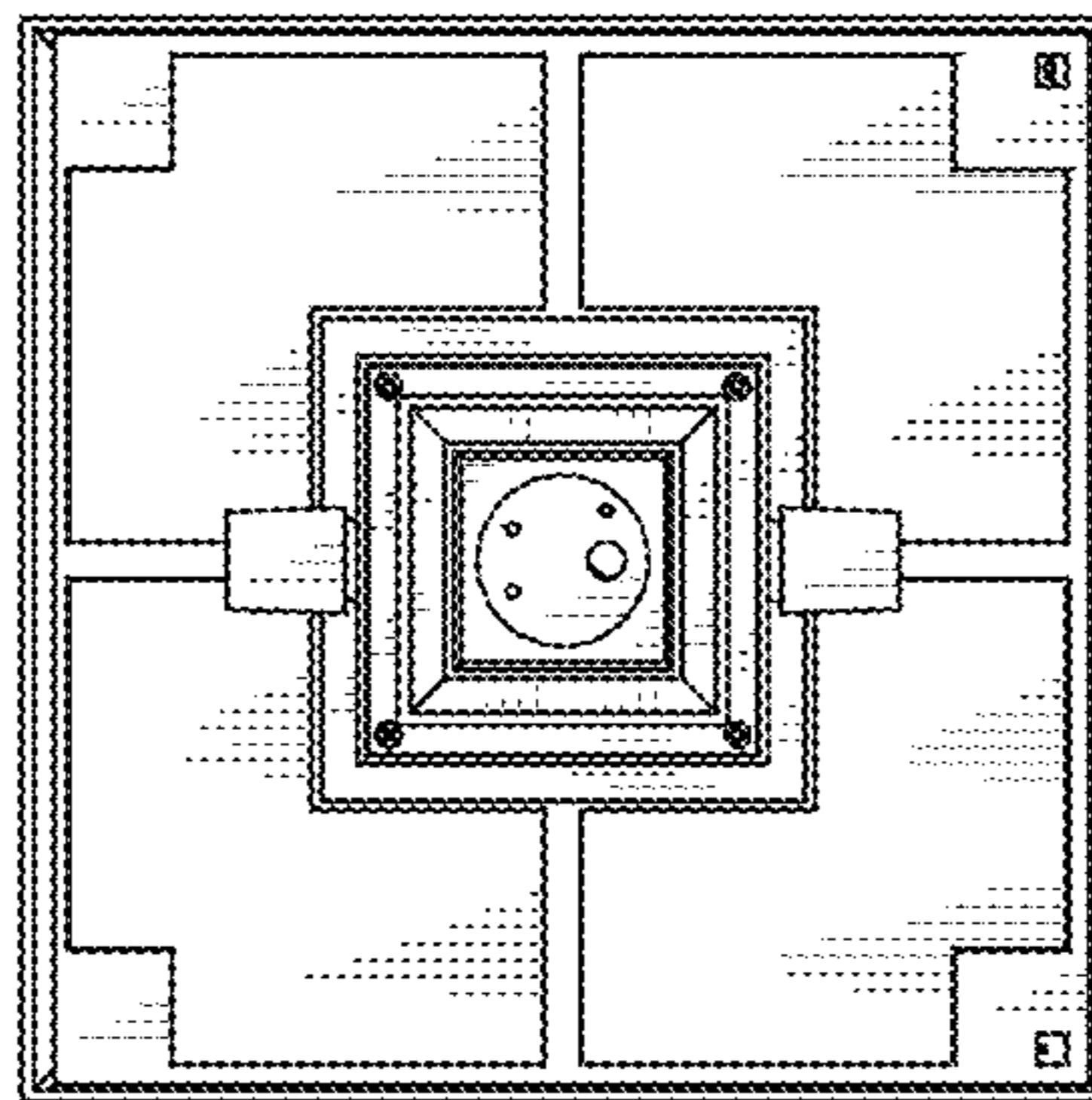


FIG. 5

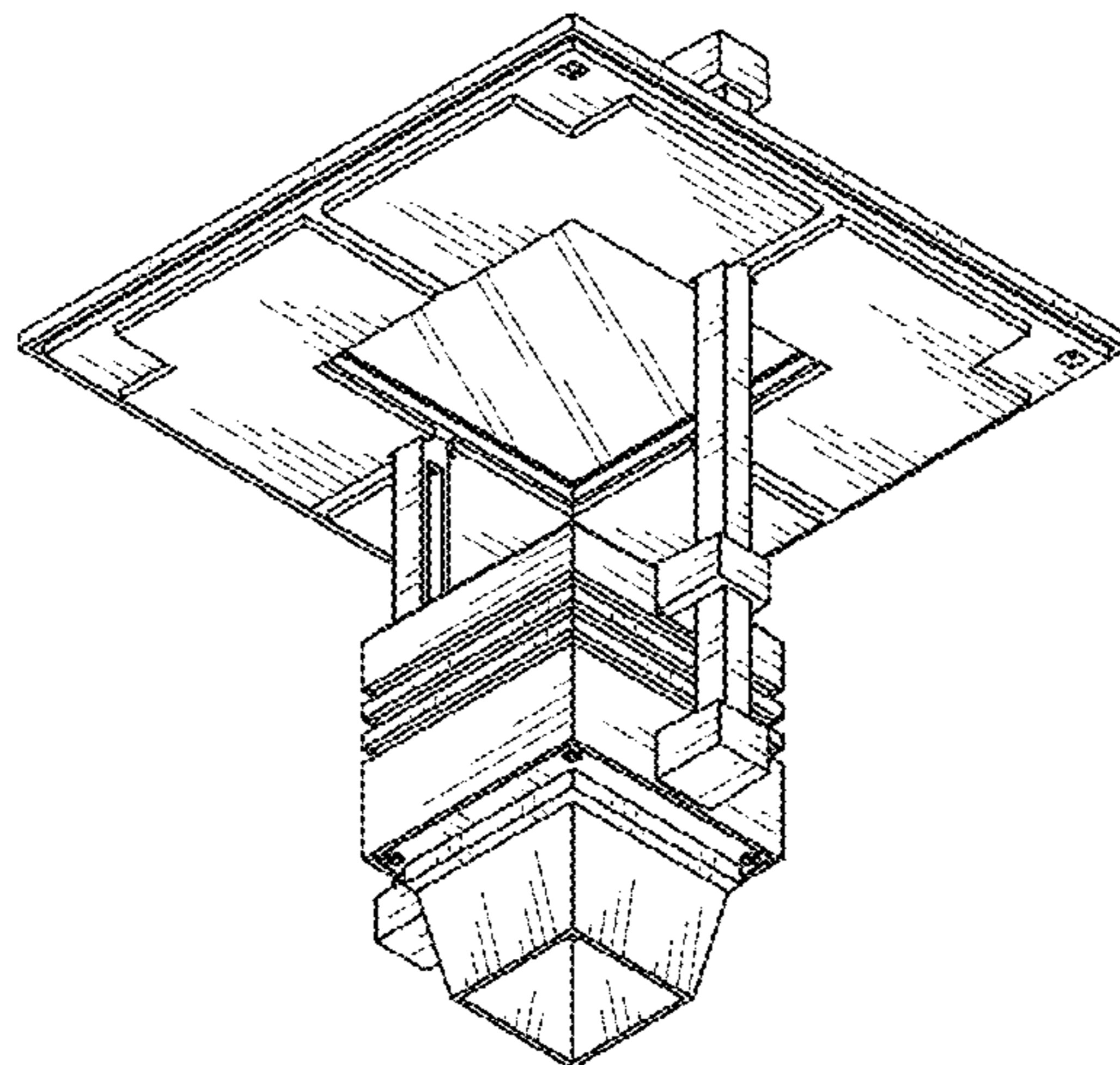


FIG. 6