



US00D851799S

(12) **United States Design Patent**
Liu

(10) **Patent No.:** **US D851,799 S**
(45) **Date of Patent:** **** Jun. 18, 2019**

(54) **SOLAR LAMP**

(71) Applicant: **Shenzhen Ennoplus Technology Co., Ltd.**, Shenzhen, Guangdong (CN)

(72) Inventor: **Hangyu Liu**, Guangdong (CN)

(73) Assignee: **Shenzhen Ennoplus Technology Co., Ltd.**, Shenzhen (CN)

(**) Term: **15 Years**

(21) Appl. No.: **29/637,777**

(22) Filed: **Feb. 21, 2018**

(30) **Foreign Application Priority Data**

Nov. 28, 2017 (CN) 2013 3 0593177

(51) **LOC (11) Cl.** **26-03**

(52) **U.S. Cl.**
USPC **D26/63; D26/68**

(58) **Field of Classification Search**
USPC D26/63, 67-70; D13/102
CPC F21S 8/006; F21S 8/08; F21S 8/081; F21S 8/083; F21S 8/032; F21S 9/03; F21S 9/032; F21S 9/035; F21S 9/037; F21W 2131/109

See application file for complete search history.

(56) **References Cited**

U.S. PATENT DOCUMENTS

D543,500 S * 5/2007 Parness D13/102
D762,903 S * 8/2016 Tsai D26/63

D764,694 S * 8/2016 Tsai D26/63
D810,342 S * 2/2018 Chen D26/68
D837,431 S * 1/2019 Peng D26/63
D841,858 S * 2/2019 Deng D26/68

* cited by examiner

Primary Examiner — Cathron C Brooks

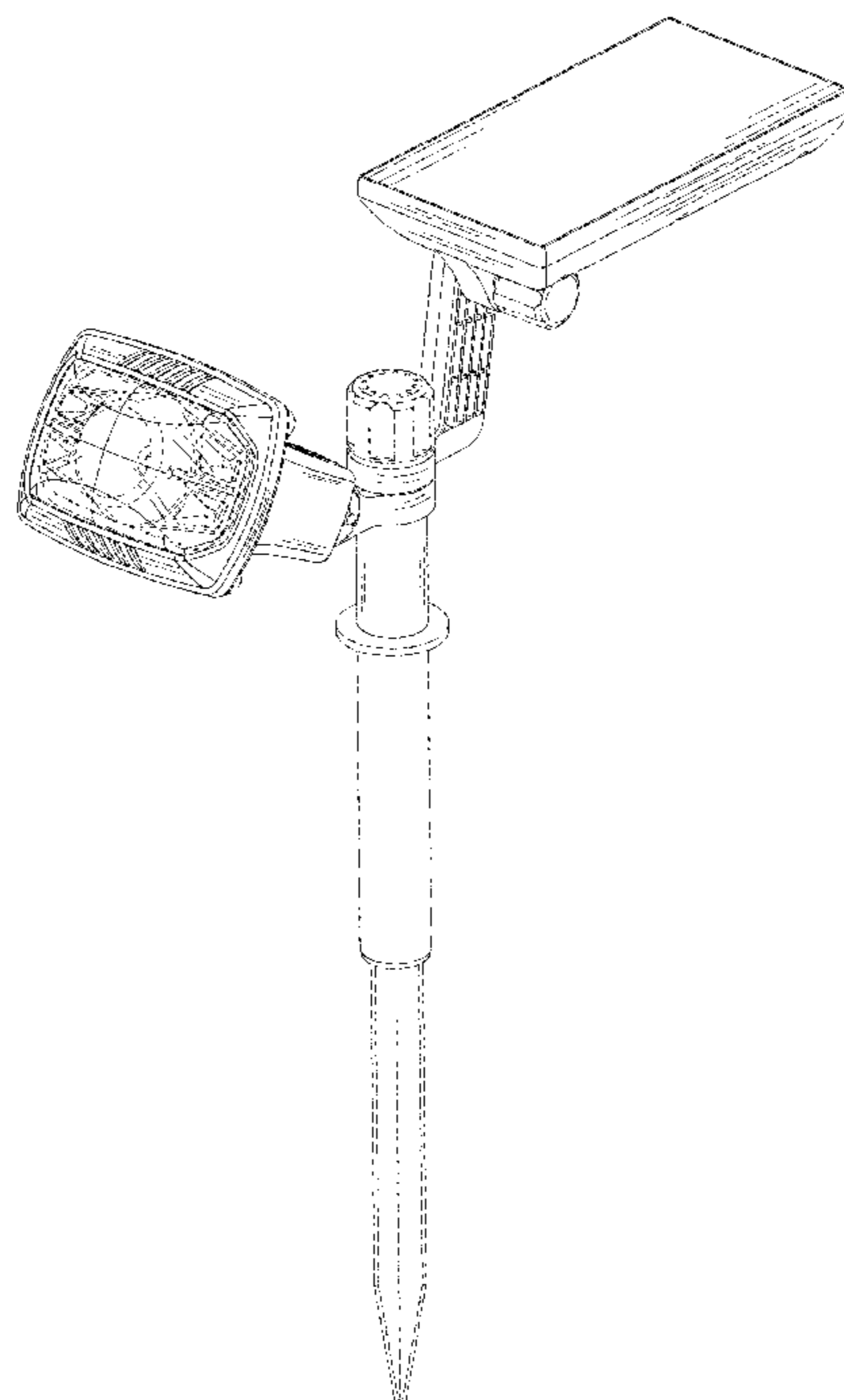
(57) **CLAIM**

The ornamental design for a solar lamp, as shown and described.

DESCRIPTION

FIG. 1 is a front elevational view of a solar lamp showing my new design;
FIG. 2 is a rear elevational view thereof;
FIG. 3 is a left side view thereof;
FIG. 4 is a right side view thereof;
FIG. 5 is a top plan view thereof;
FIG. 6 is a bottom plan view thereof;
FIG. 7 is a first perspective view thereof;
FIG. 8 is a second perspective view thereof;
FIG. 9 is a third perspective view thereof;
FIG. 10 is a left side view showing the solar lamp in a folded state; and,
FIG. 11 is a left side view showing the solar lamp in another folded state.
The broken lines in the drawings illustrate portions of the solar lamp which form no part of the claimed design.
The diagonal lines indicate transparency.

1 Claim, 11 Drawing Sheets



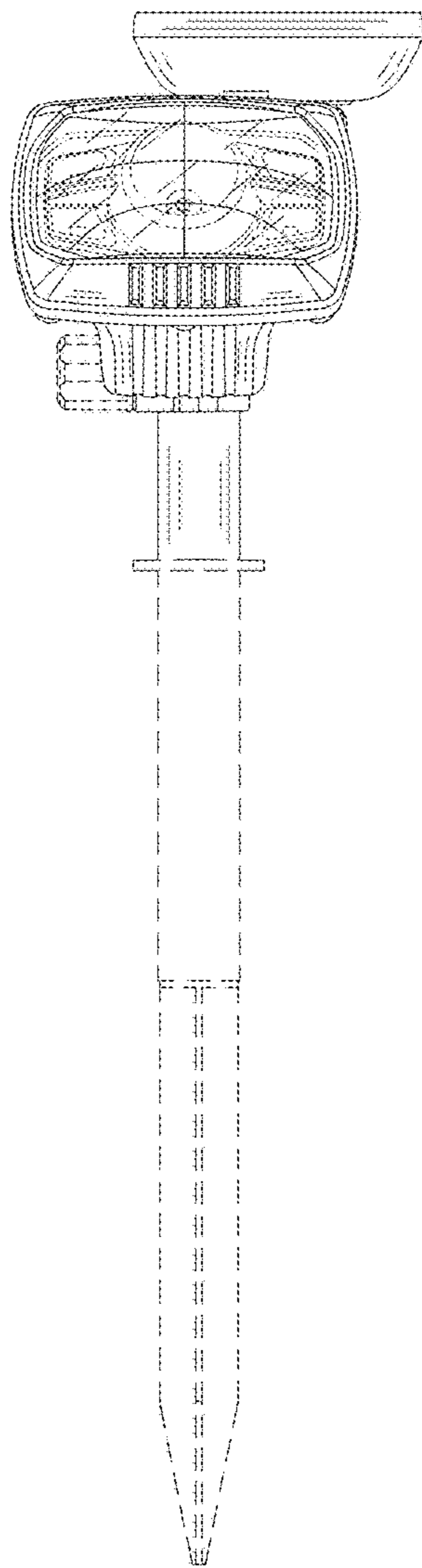


Fig.1

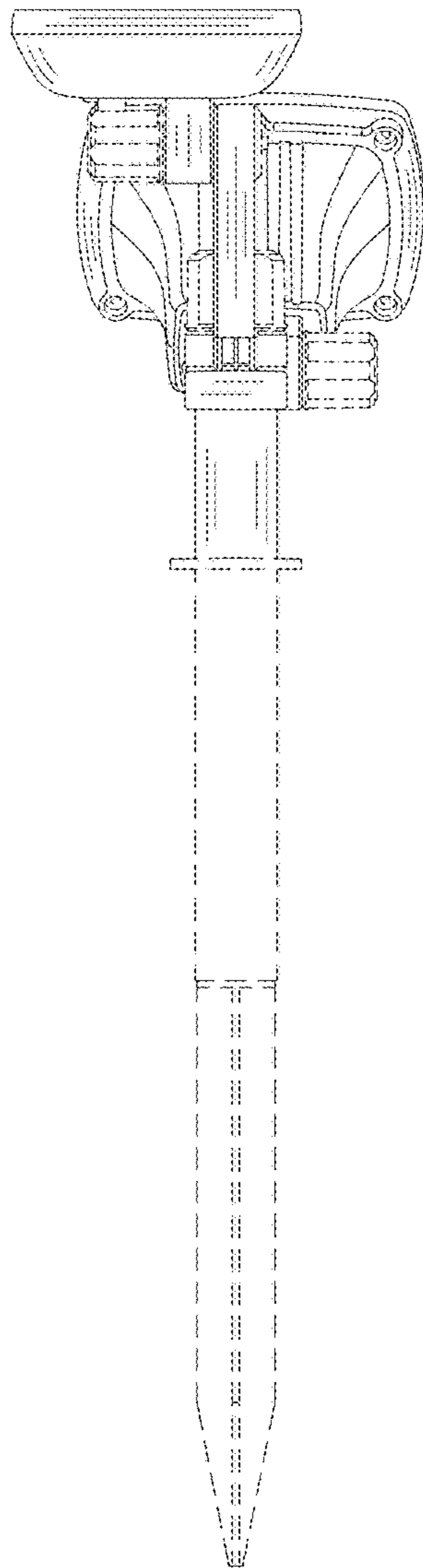


Fig.2

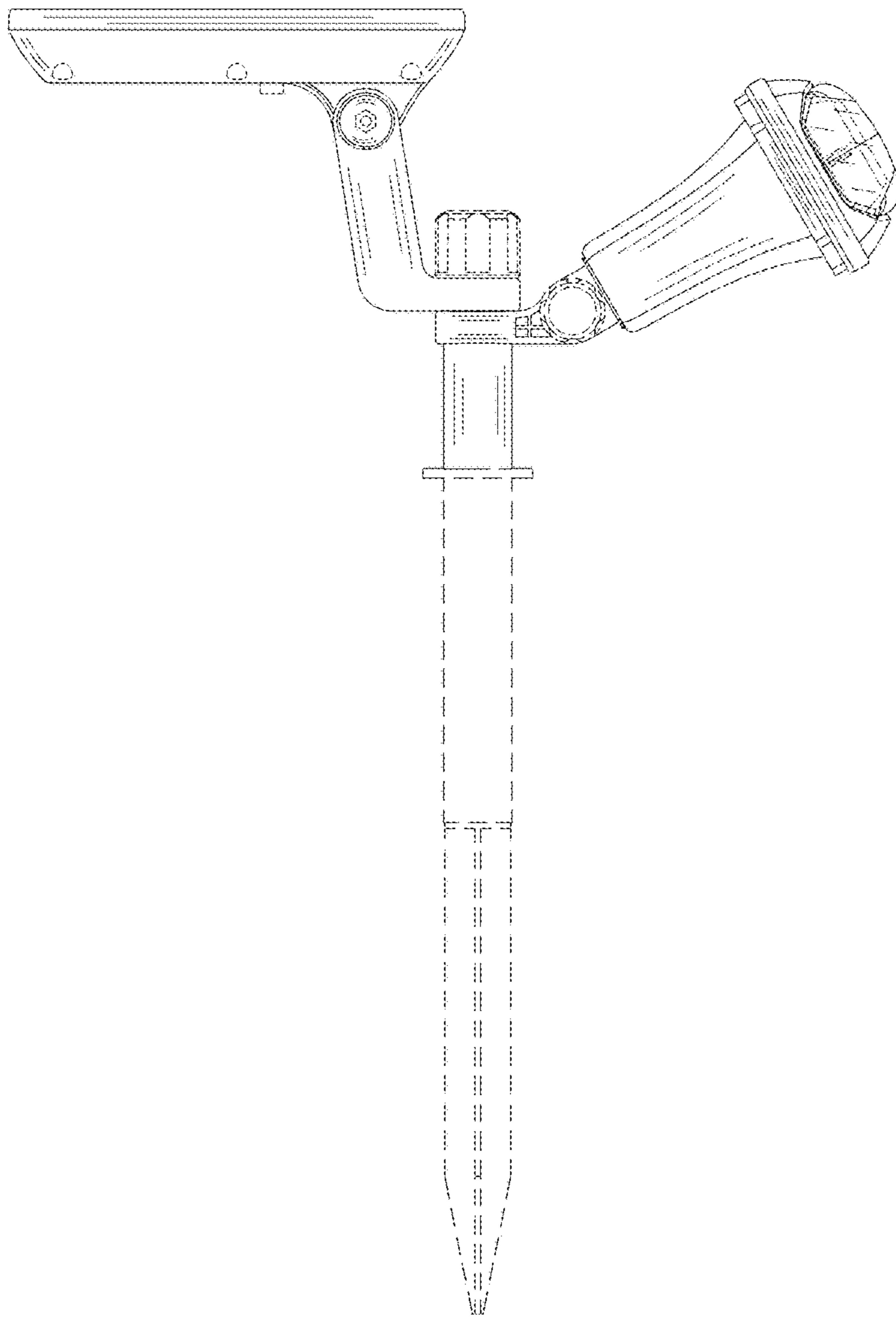


Fig. 3

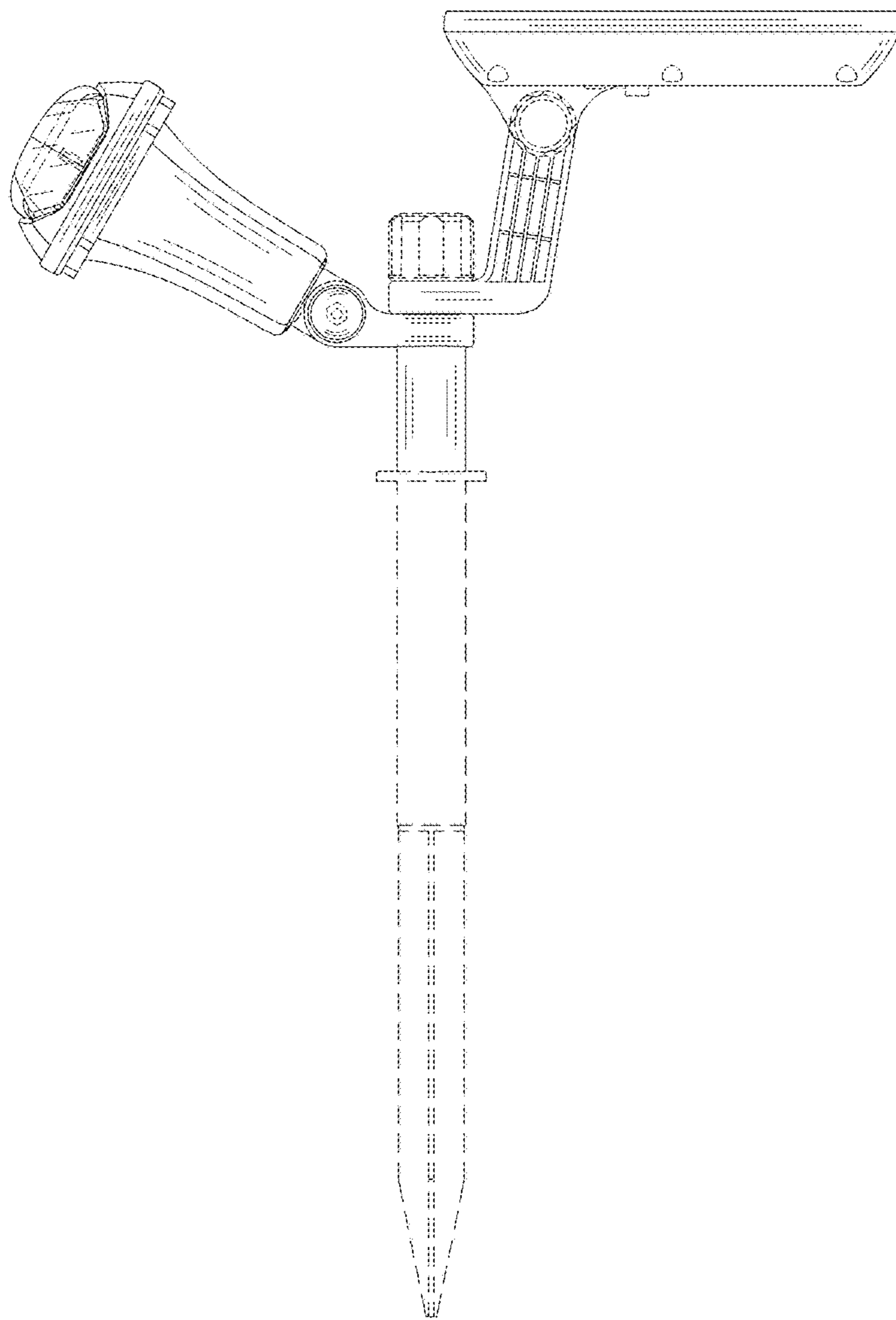


Fig. 4

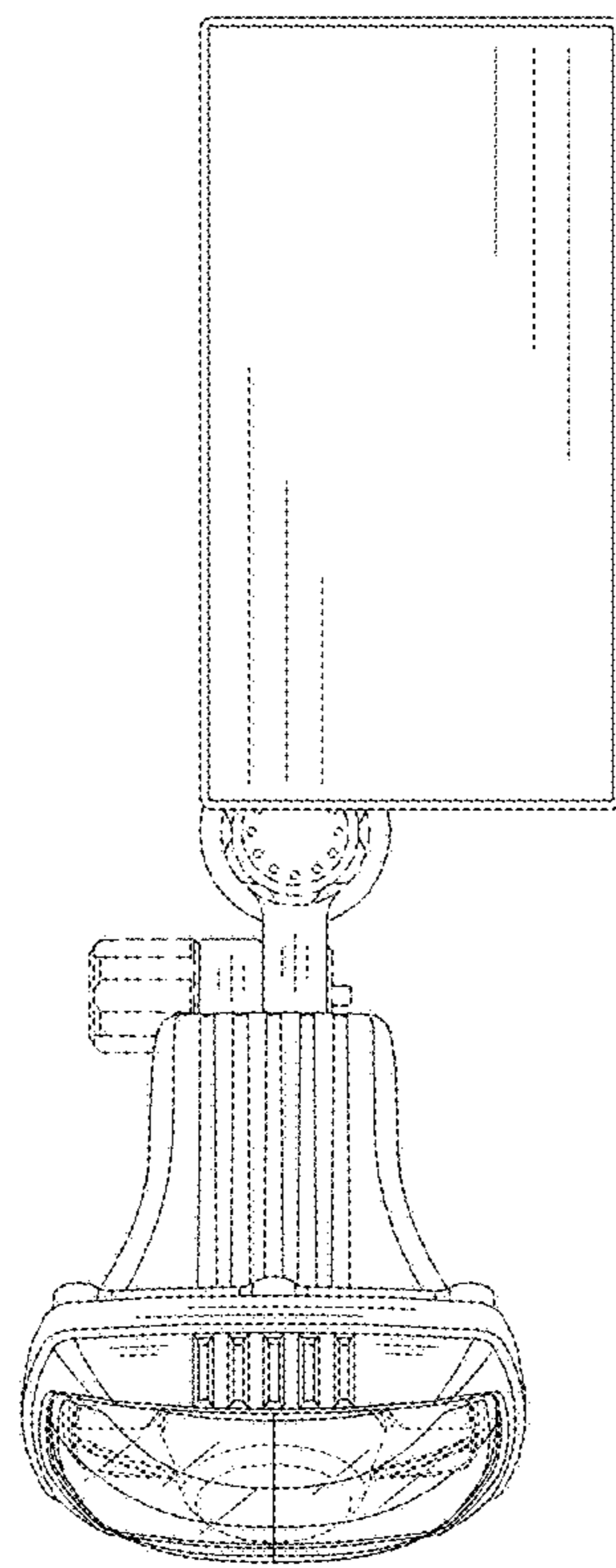


Fig. 5

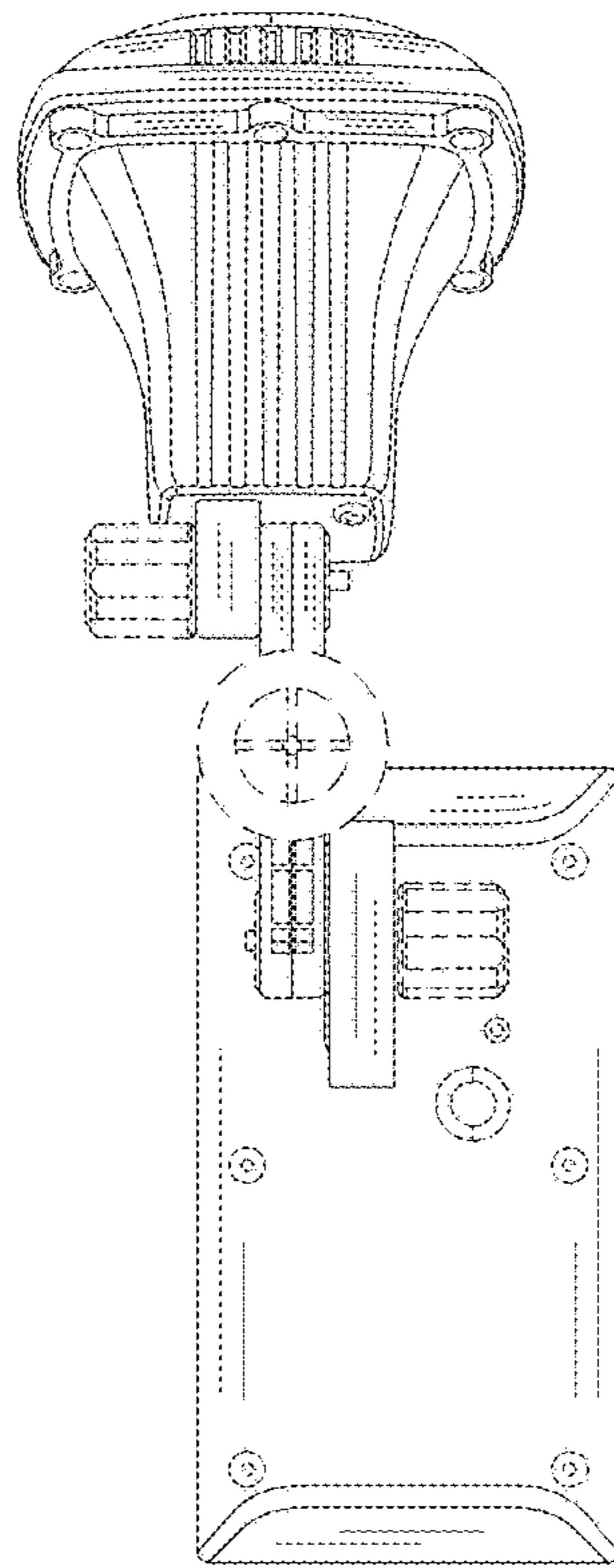


Fig. 6

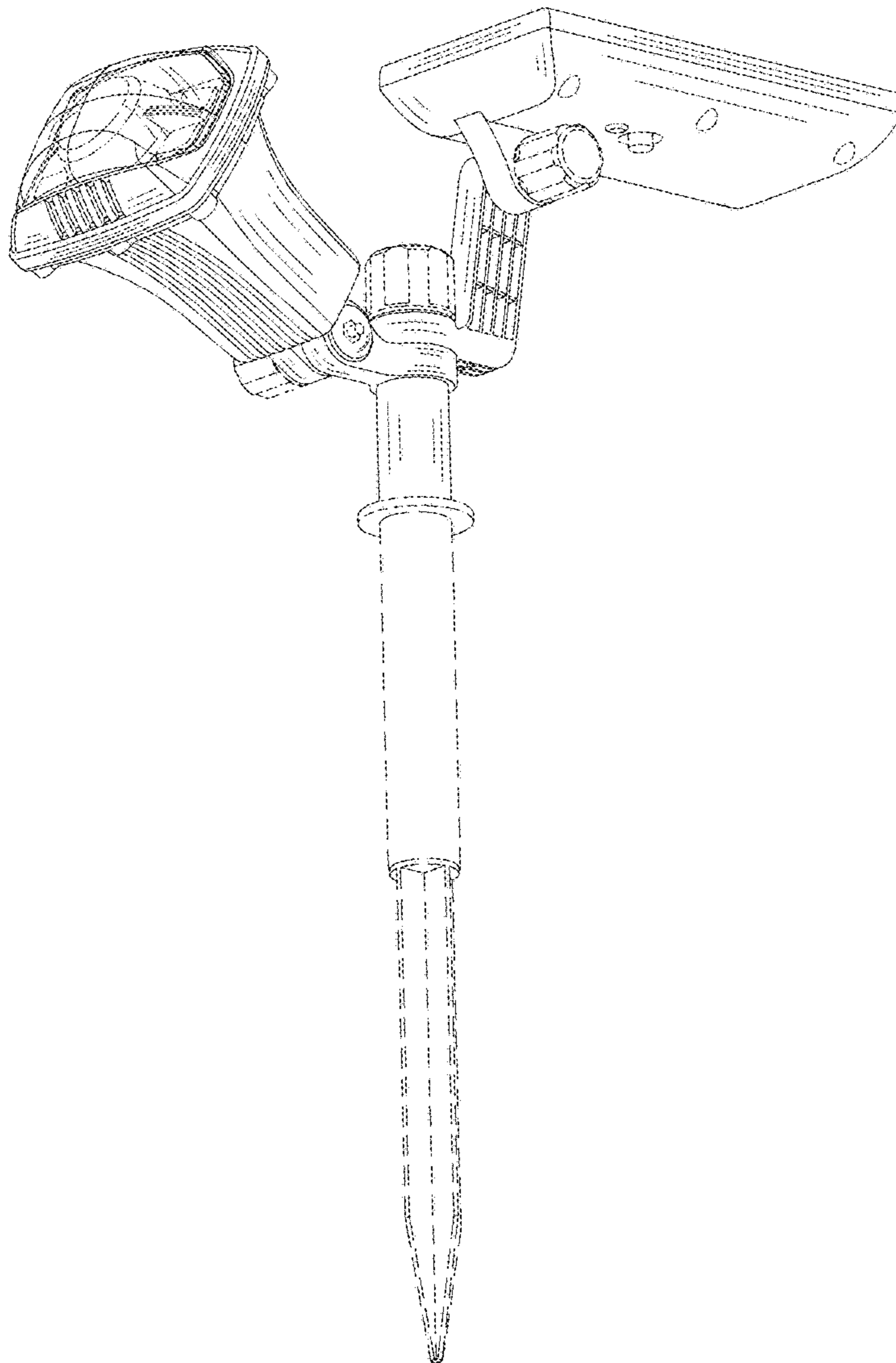


Fig. 7

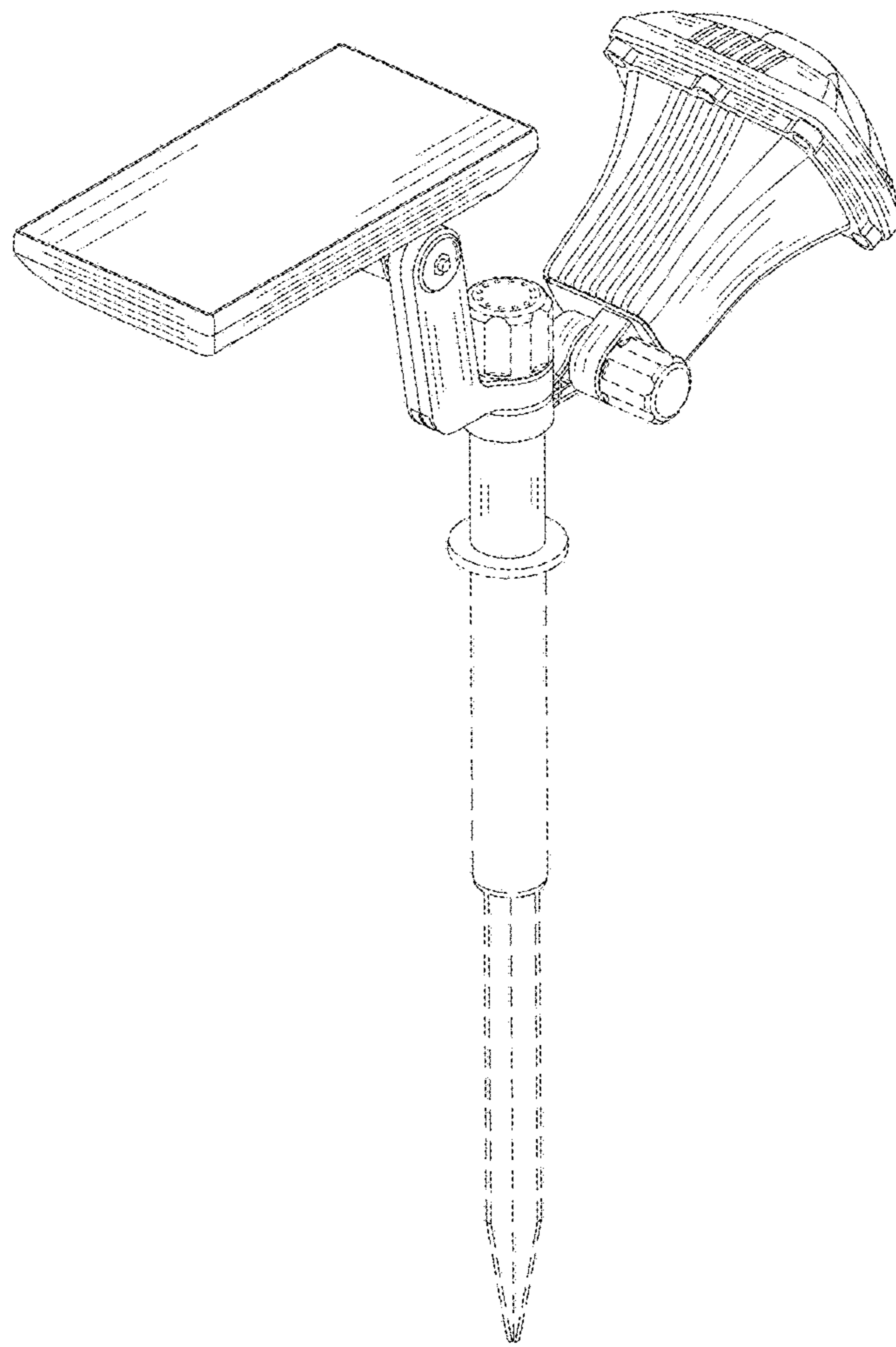


Fig.8

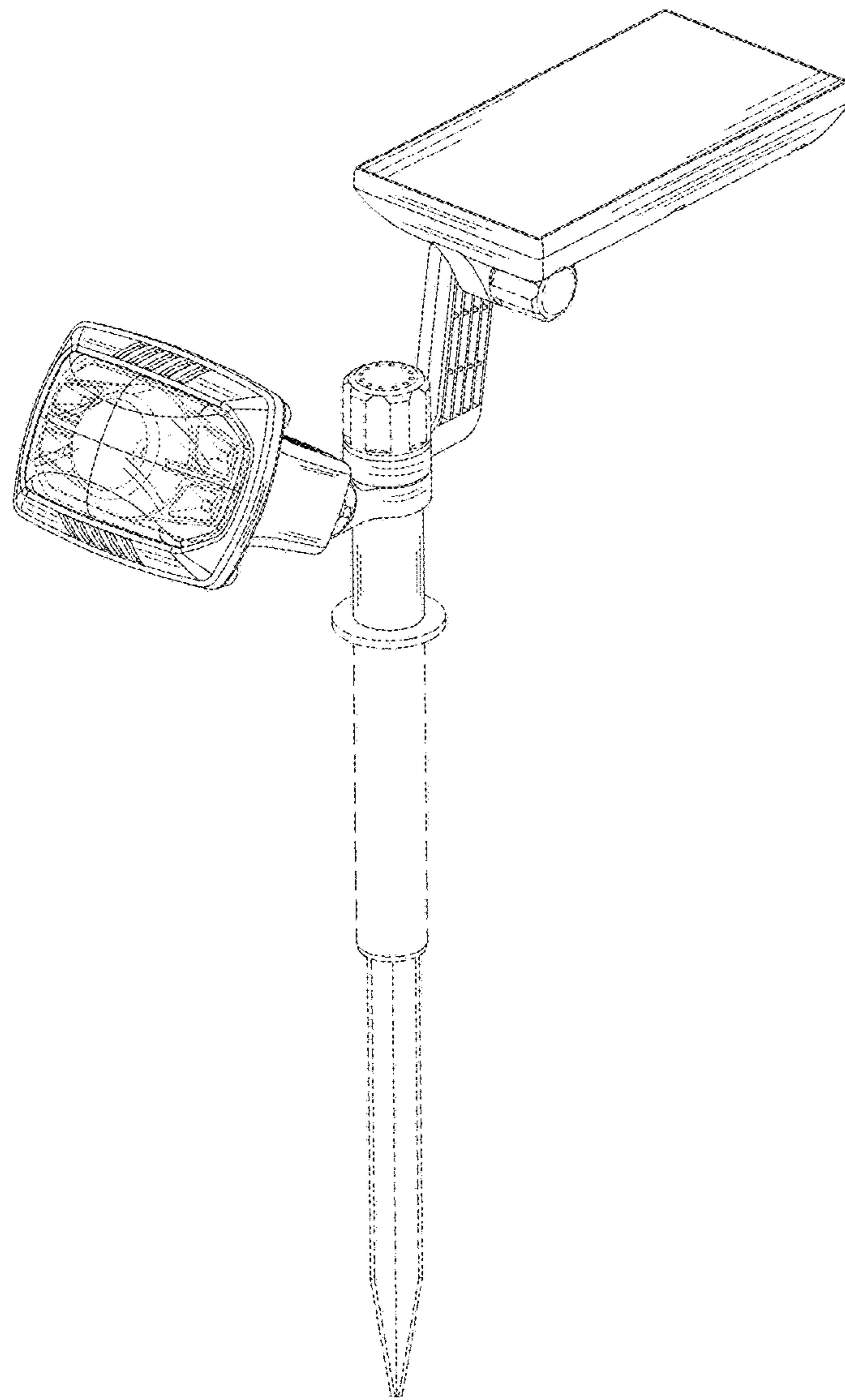


Fig. 9

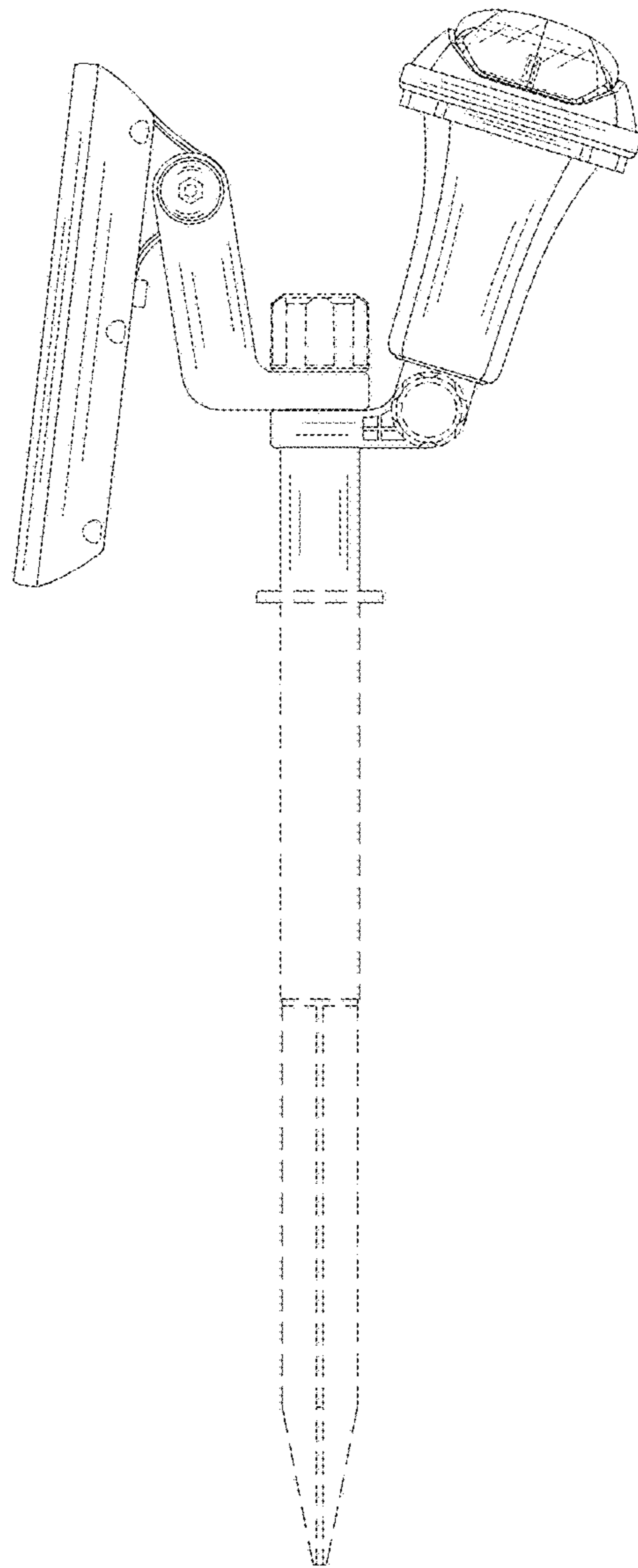


Fig.10

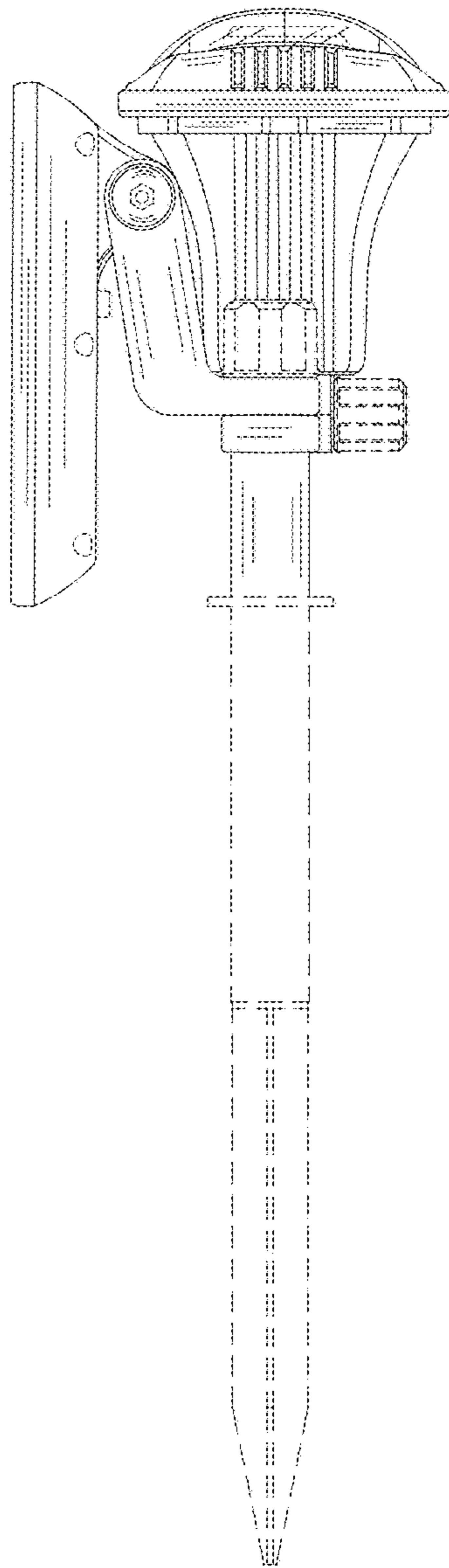


Fig. 11