



US00D851798S

(12) **United States Design Patent**
Liu

(10) **Patent No.:** **US D851,798 S**

(45) **Date of Patent:** **** Jun. 18, 2019**

(54) **SOLAR LAMP**

(71) Applicant: **Shenzhen Ennoplus Technology Co., Ltd.**, Shenzhen, Guangdong (CN)

(72) Inventor: **Hangyu Liu**, Guangdong (CN)

(73) Assignee: **Shenzhen Ennoplus Technology Co., Ltd.**, Shenzhen (CN)

(**) Term: **15 Years**

(21) Appl. No.: **29/632,401**

(22) Filed: **Jan. 8, 2018**

(30) **Foreign Application Priority Data**

Nov. 28, 2017 (CN) 2017 3 0593177

(51) **LOC (11) Cl.** **26-03**

(52) **U.S. Cl.**
USPC **D26/63; D26/68**

(58) **Field of Classification Search**

USPC D26/63, 67-70; D13/102

CPC F21S 8/006; F21S 8/08; F21S 8/081; F21S

8/083; F21S 8/032; F21S 9/03; F21S

9/032; F21S 9/035; F21S 9/037; F21W

2131/109

See application file for complete search history.

(56) **References Cited**

U.S. PATENT DOCUMENTS

D543,500 S * 5/2007 Parness D13/102

D762,903 S * 8/2016 Tsai D26/63

D764,694 S * 8/2016 Tsai D26/63
D810,342 S * 2/2018 Chen D26/68
D837,431 S * 1/2019 Peng D26/63
D841,858 S * 2/2019 Deng D26/68

* cited by examiner

Primary Examiner — Cathron C Brooks

(57) **CLAIM**

The ornamental design for a solar lamp, as shown and described.

DESCRIPTION

FIG. 1 is a front elevational view of a solar lamp showing my new design;

FIG. 2 is a rear elevational view thereof;

FIG. 3 is a left side view thereof;

FIG. 4 is a right side view thereof;

FIG. 5 is a top plan view thereof;

FIG. 6 is a bottom plan view thereof;

FIG. 7 is a top, front and left side perspective view thereof;

FIG. 8 is a bottom, front and right side perspective view thereof;

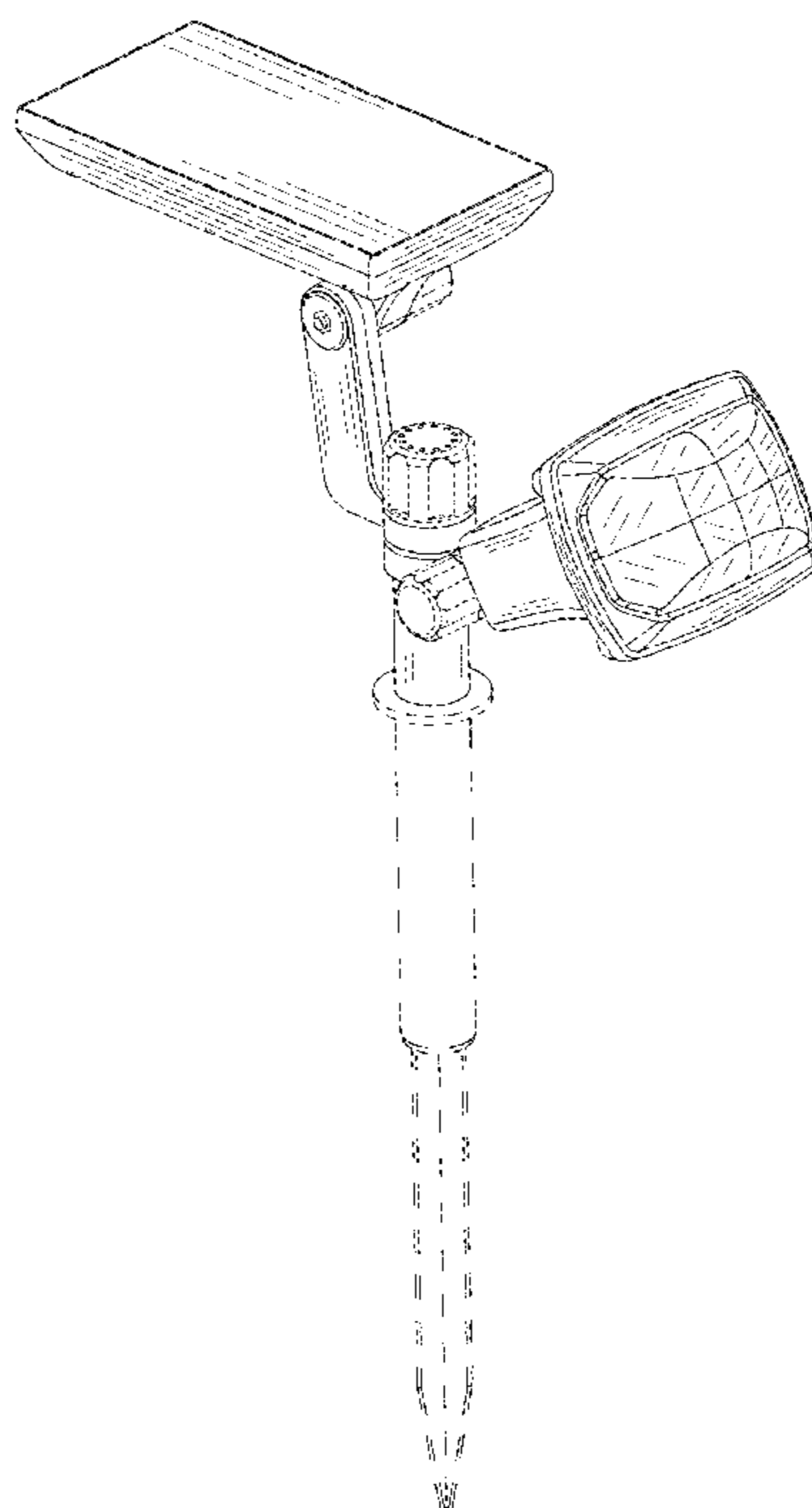
FIG. 9 is a top, rear and left side perspective view thereof;

FIG. 10 is a left side perspective view showing the solar lamp in a first folded state; and,

FIG. 11 is a left side perspective view showing the solar lamp in a second folded state.

The broken lines in the drawings illustrate portions of the solar lamp which form no part of the claimed design. The diagonal lines in the drawings indicate transparency.

1 Claim, 11 Drawing Sheets



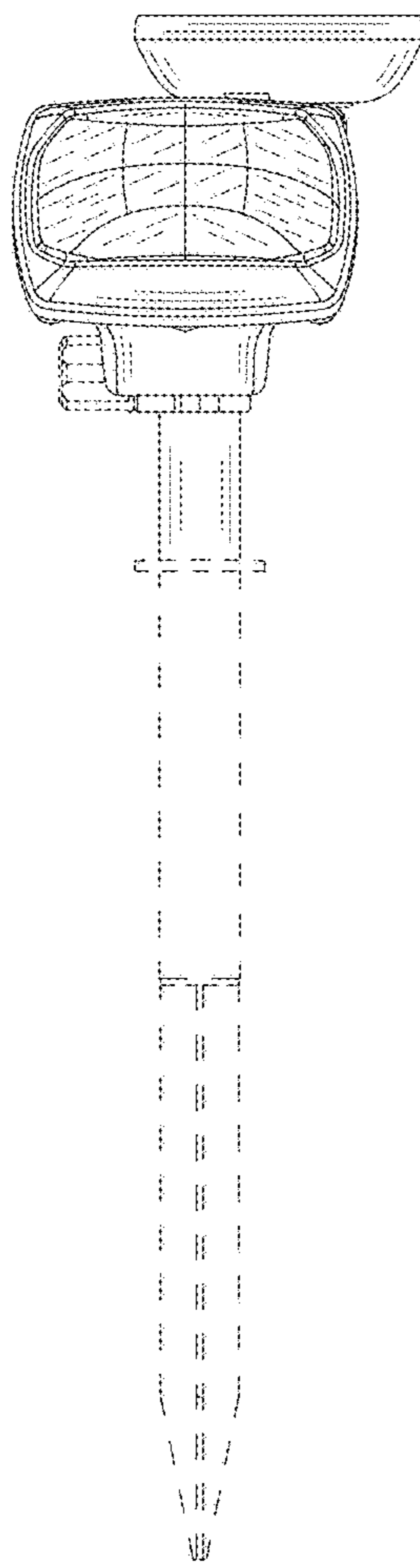


Fig. 1

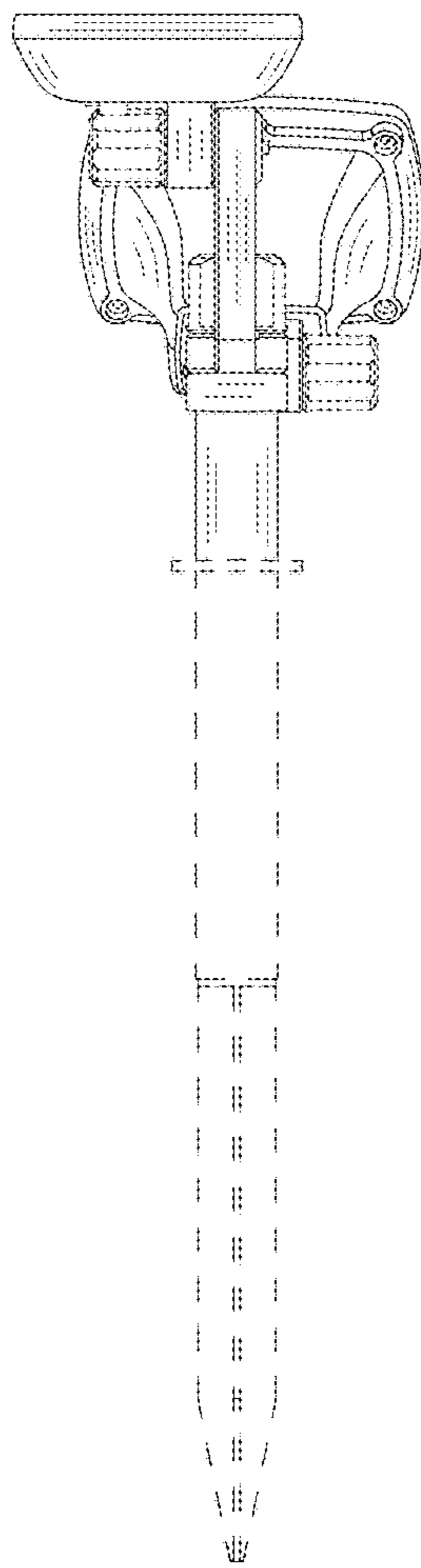


Fig. 2

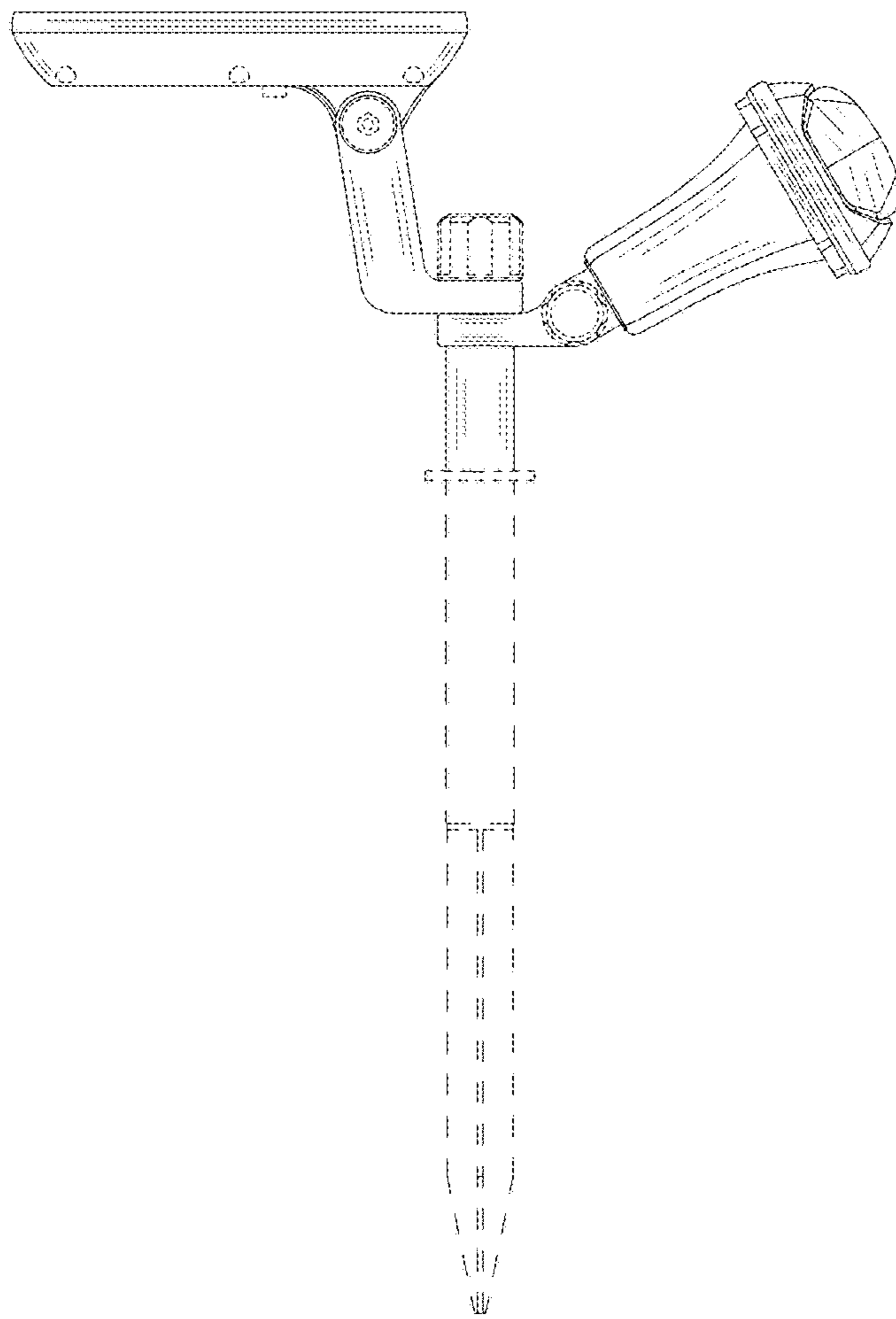


Fig. 3

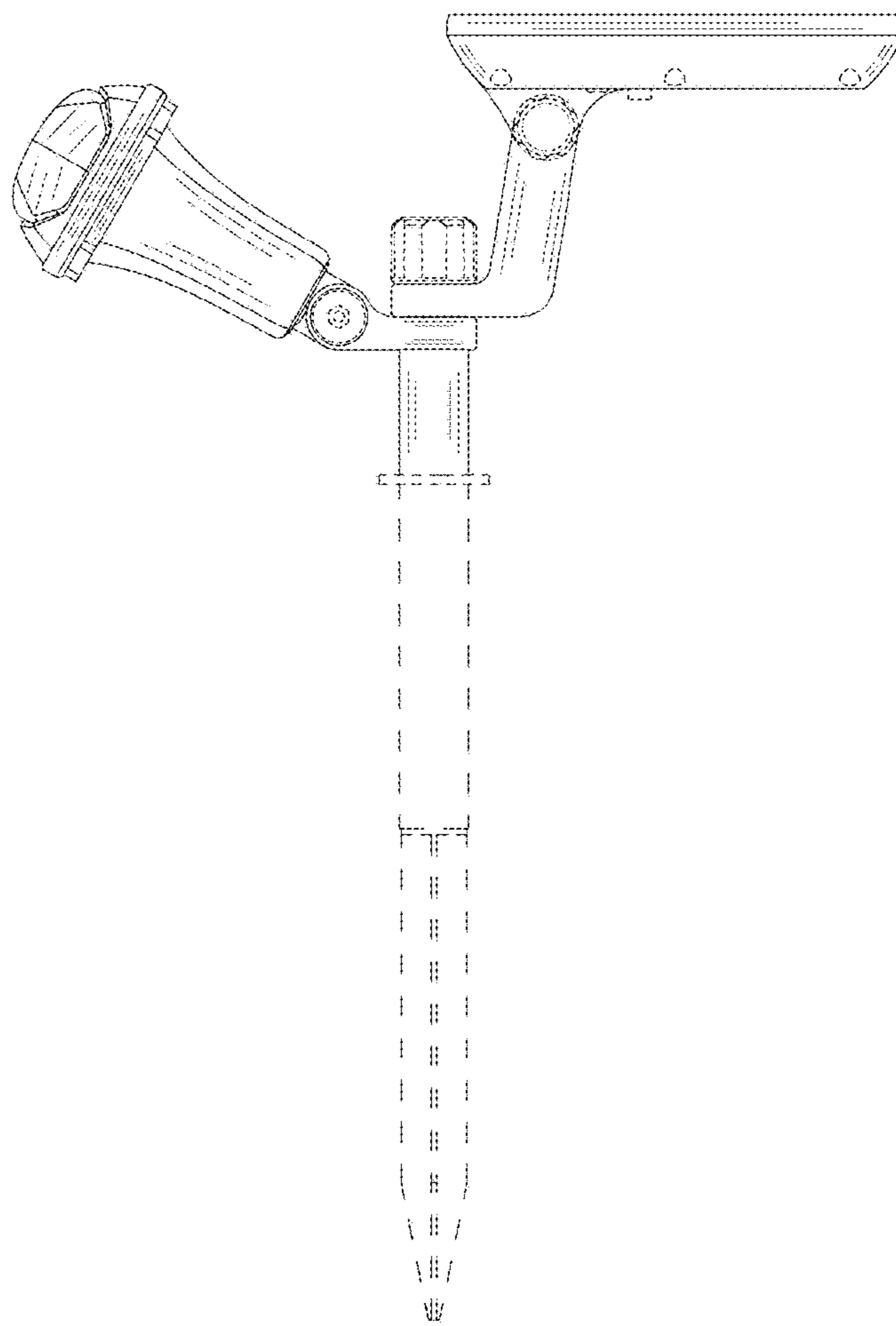


Fig. 4

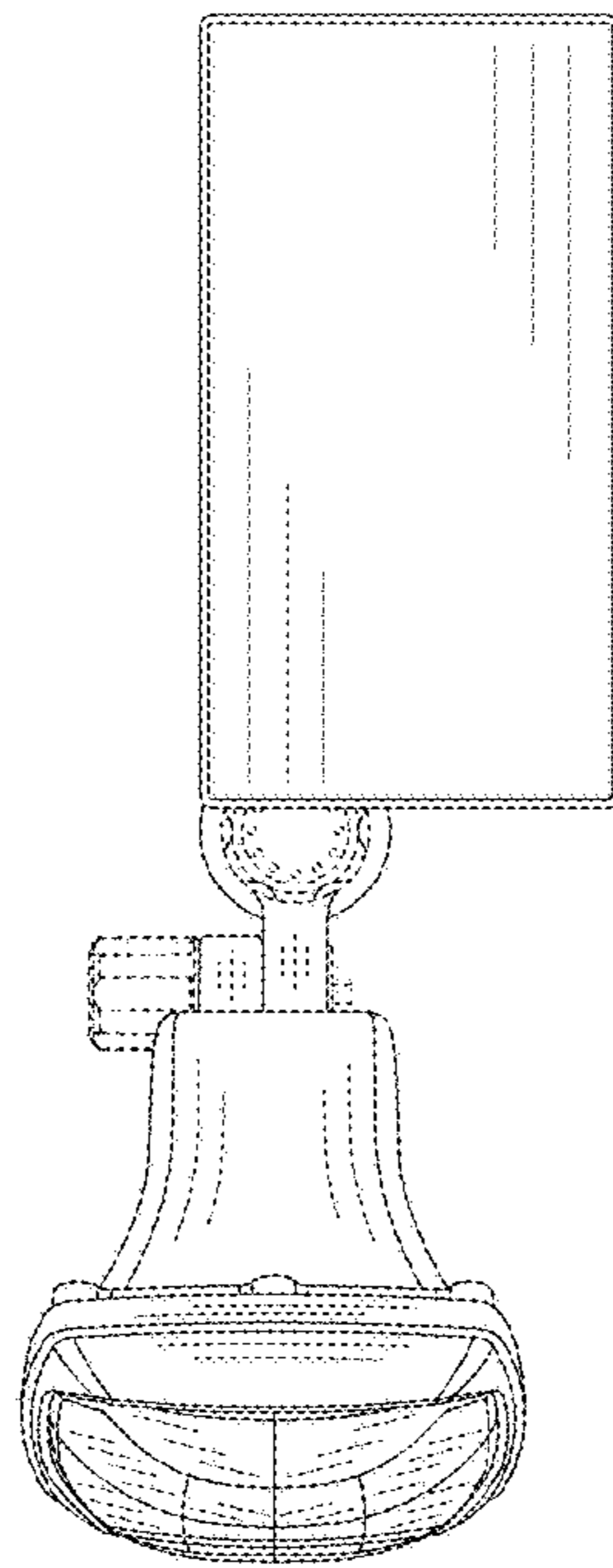


Fig. 5

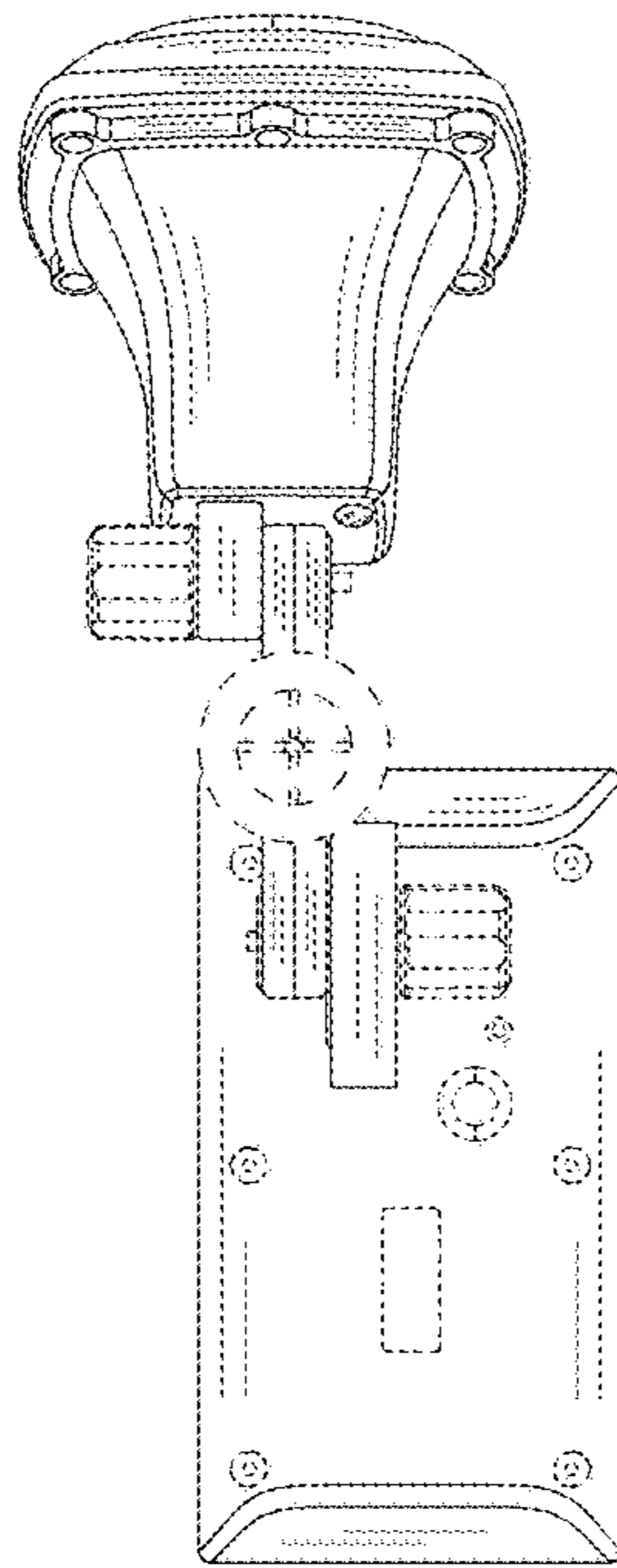


Fig. 6

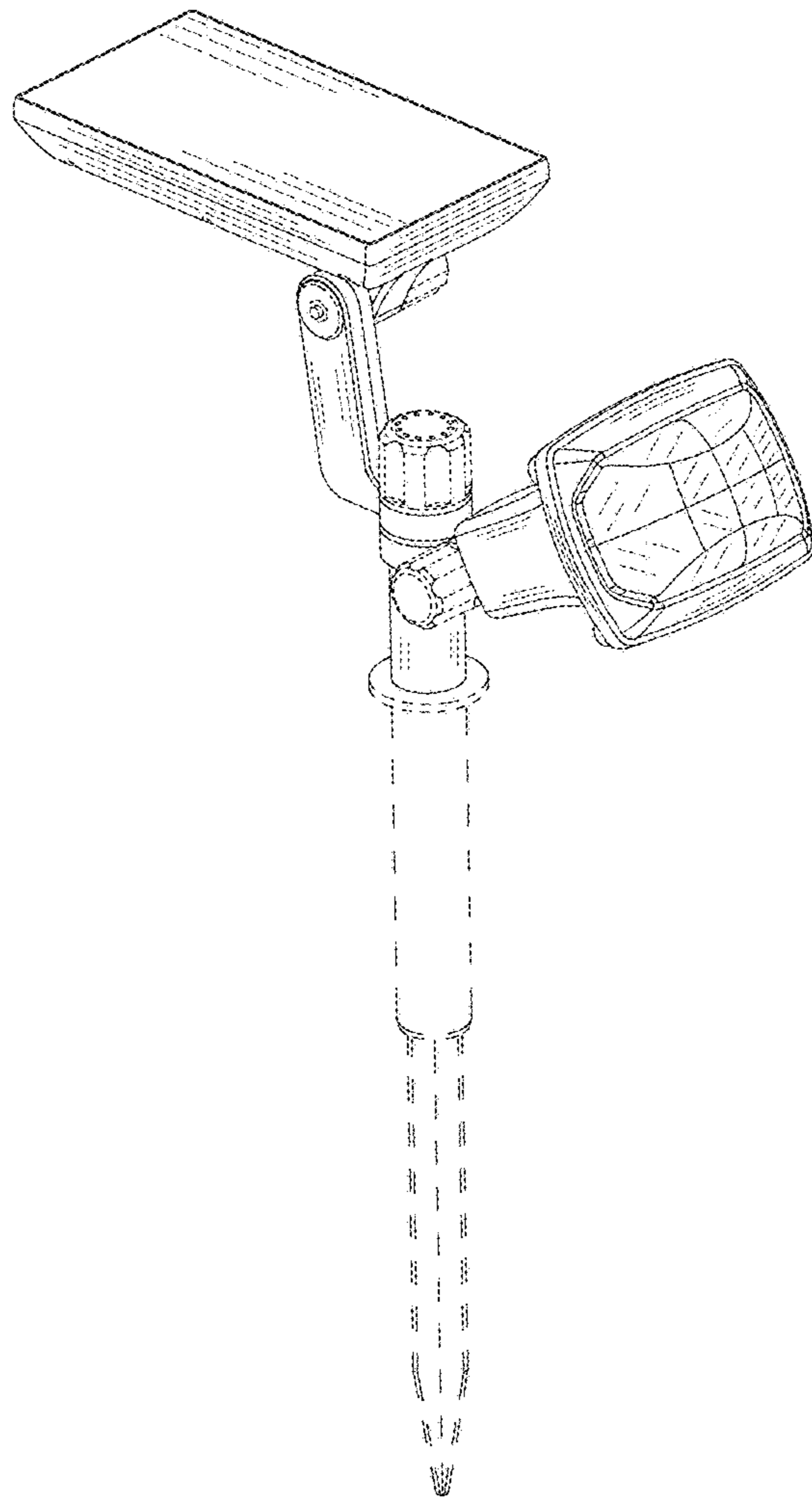


Fig. 7

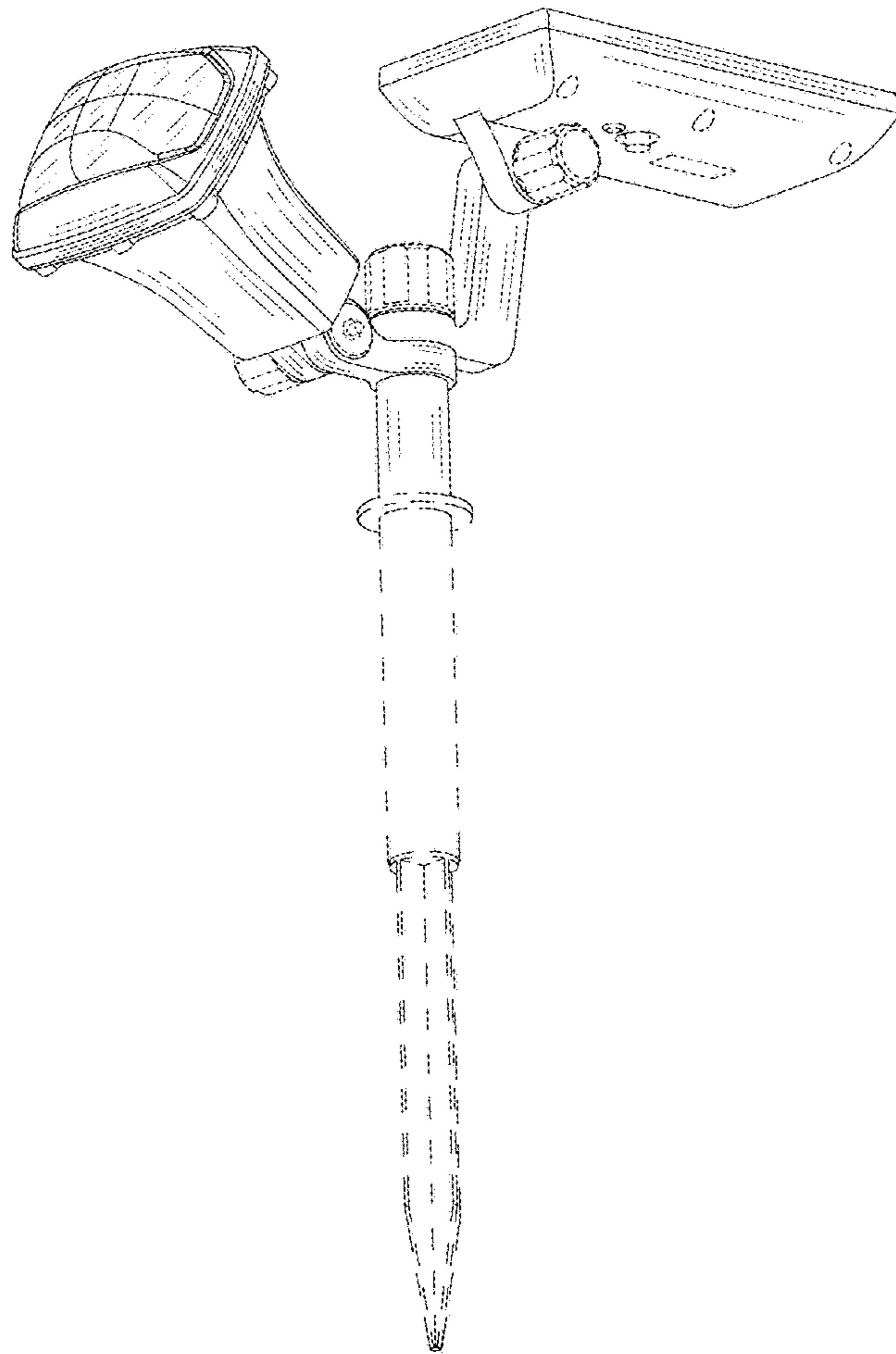


Fig. 8

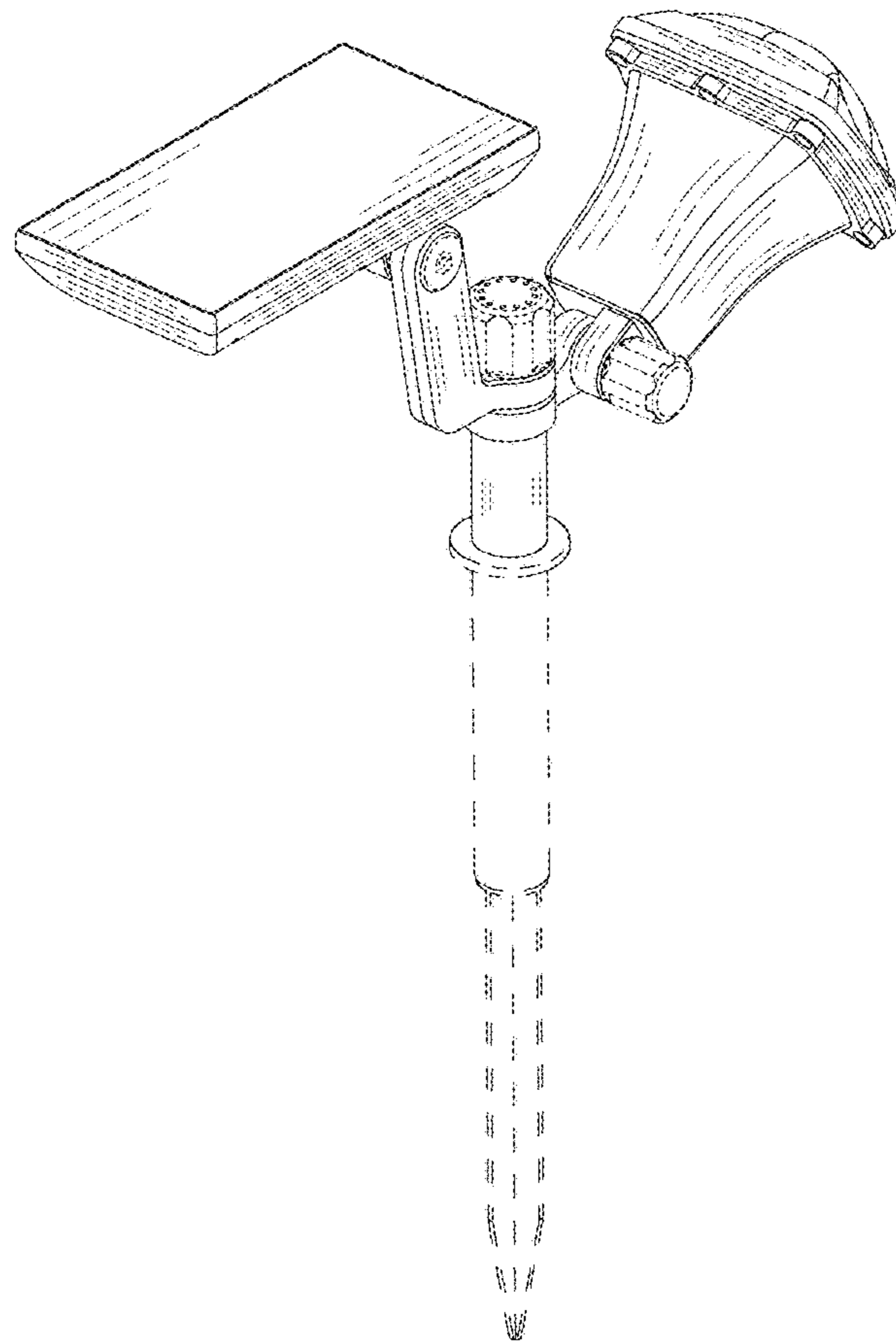


Fig. 9

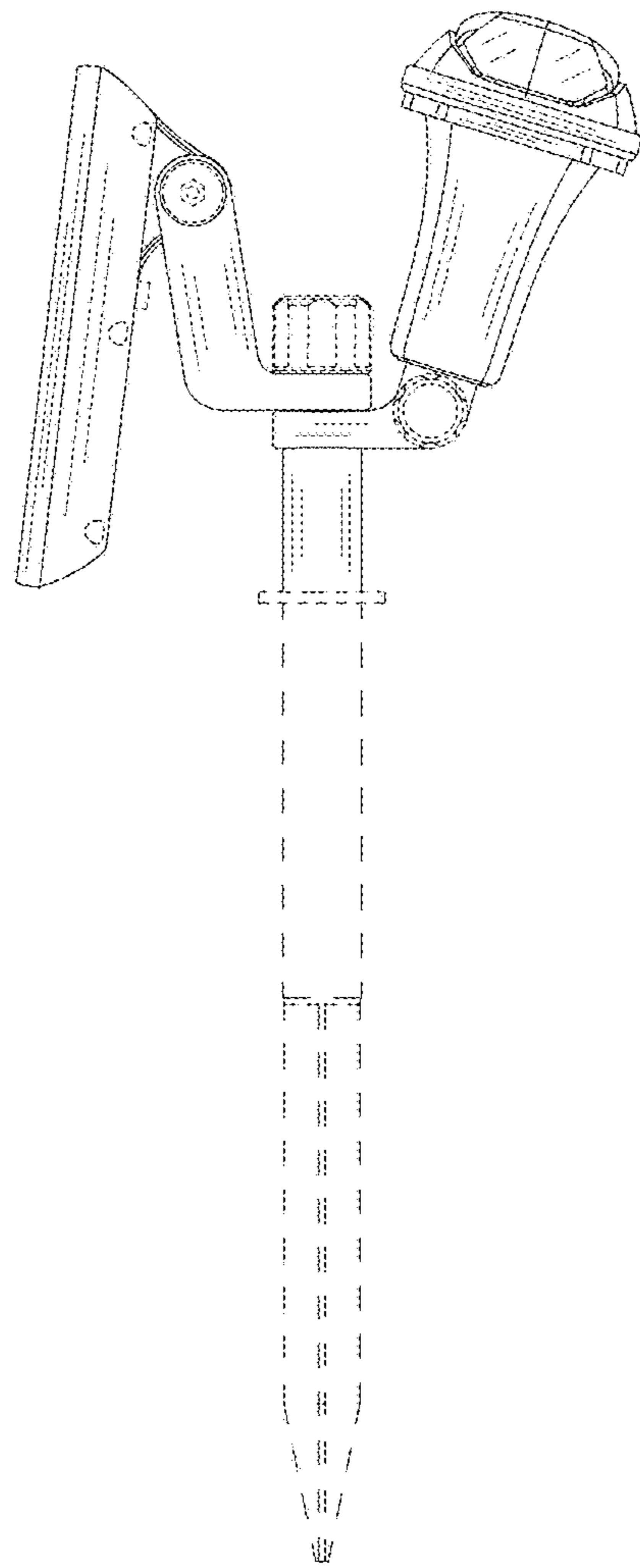


Fig.10

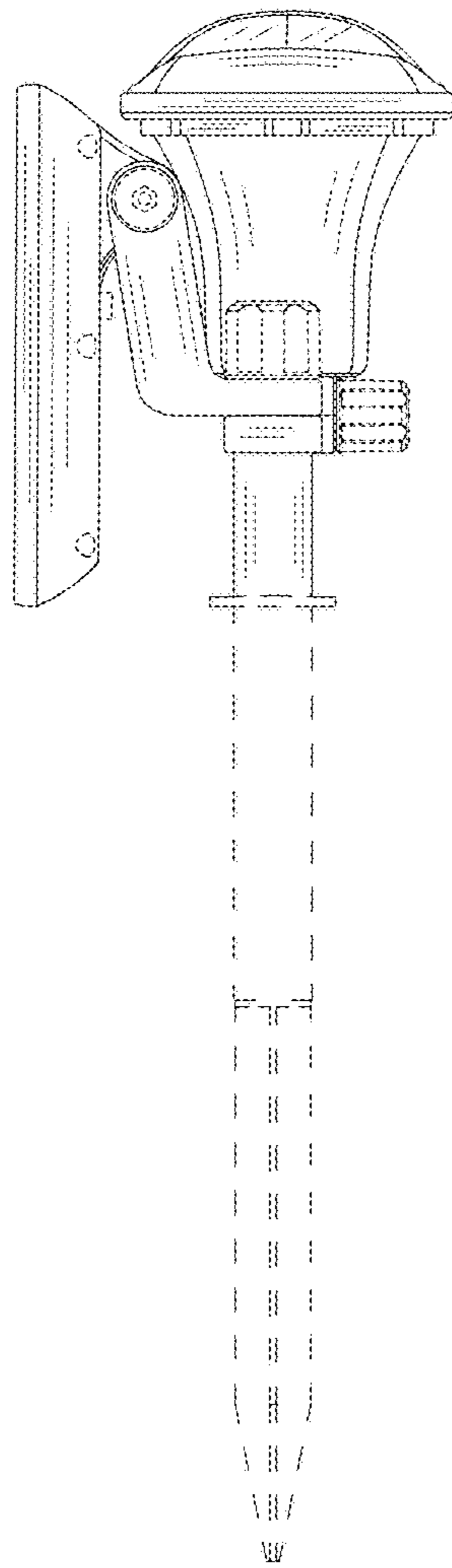


Fig. 11