



US00D851793S

(12) **United States Design Patent**  
**Tang**

(10) **Patent No.:** **US D851,793 S**

(45) **Date of Patent:** **\*\* Jun. 18, 2019**

(54) **HEADLAMP FOR A VEHICLE**

D582,587 S \* 12/2008 Yang ..... D26/28  
D799,728 S 10/2017 Whitla et al.  
D806,921 S 1/2018 Ryu et al.

(71) Applicant: **Wai Kin Tang**, City of Industry, CA  
(US)

\* cited by examiner

(72) Inventor: **Wai Kin Tang**, City of Industry, CA  
(US)

*Primary Examiner* — Marcus A Jackson  
(74) *Attorney, Agent, or Firm* — Kirk A. Buhler; Buhler  
& Associates

(\*\*) Term: **15 Years**

(21) Appl. No.: **29/639,715**

(57) **CLAIM**

(22) Filed: **Mar. 8, 2018**

The ornamental design for a headlamp for a vehicle, as shown.

(51) **LOC (11) Cl.** ..... **26-06**

**DESCRIPTION**

(52) **U.S. Cl.**

USPC ..... **D26/28**

(58) **Field of Classification Search**

USPC ..... D26/28–36  
CPC ..... F21S 48/00; F21S 48/10; F21S 48/115;  
F21S 48/225; F21S 48/1233; F21S  
48/1266; F21S 48/1388; F21S 48/2268;  
F21V 13/00; F21V 21/04; F21V 29/004  
See application file for complete search history.

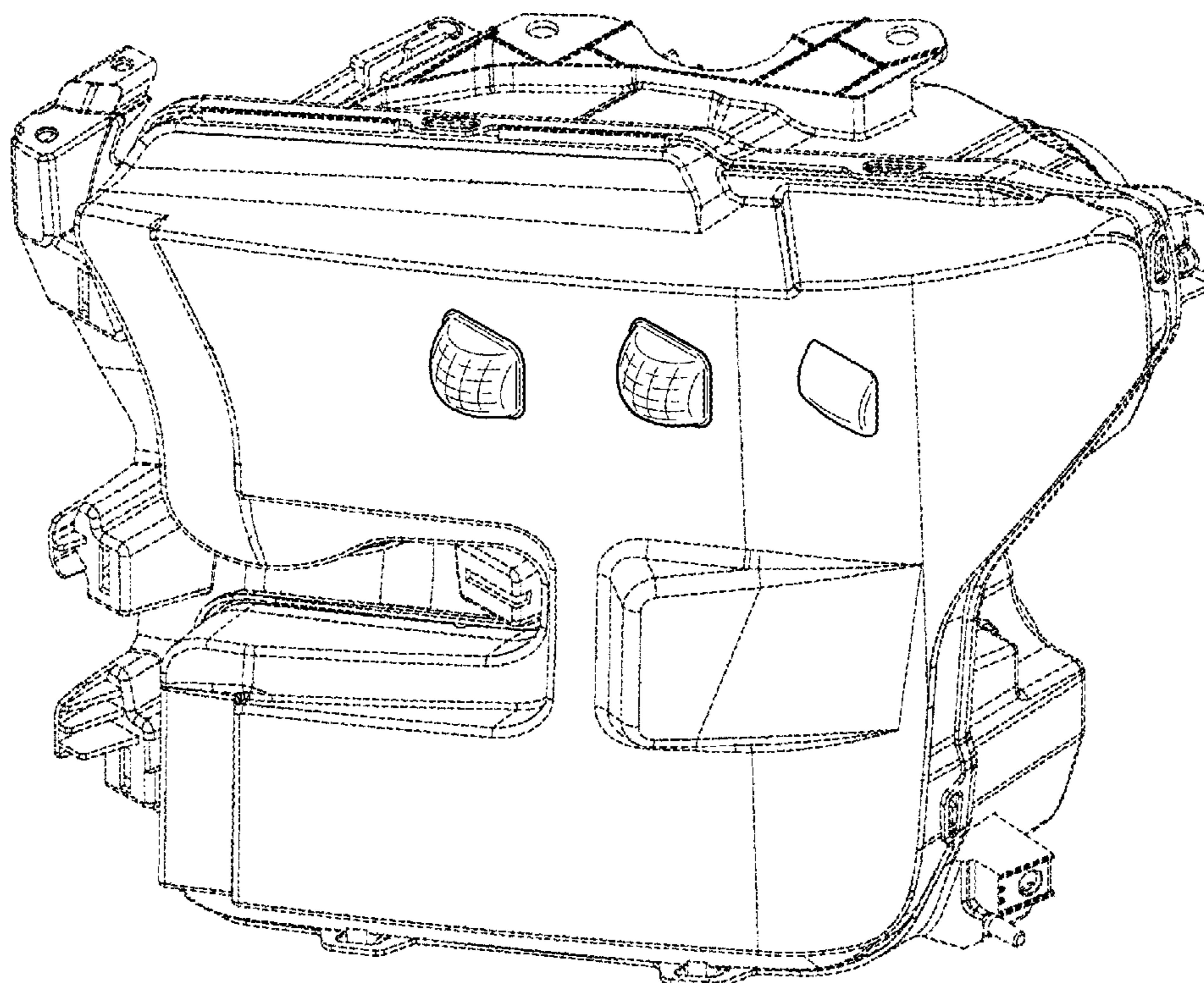
FIG. 1 is a top perspective view of a headlamp for a vehicle, showing my new design;  
FIG. 2 is a front elevation view thereof;  
FIG. 3 is a right-side elevation view thereof; and,  
FIG. 4 is a top plan view thereof.  
The broken lines in the figures depict environmental subject matter and form no part of the claimed design.  
The front outer cover of the environmental headlight is clear and environmental contour lines are visible as the projection lenses are visible through the clear front outer cover.  
The figures represent the right headlamp for a vehicle, the left headlamp for a vehicle is a mirror image thereof.

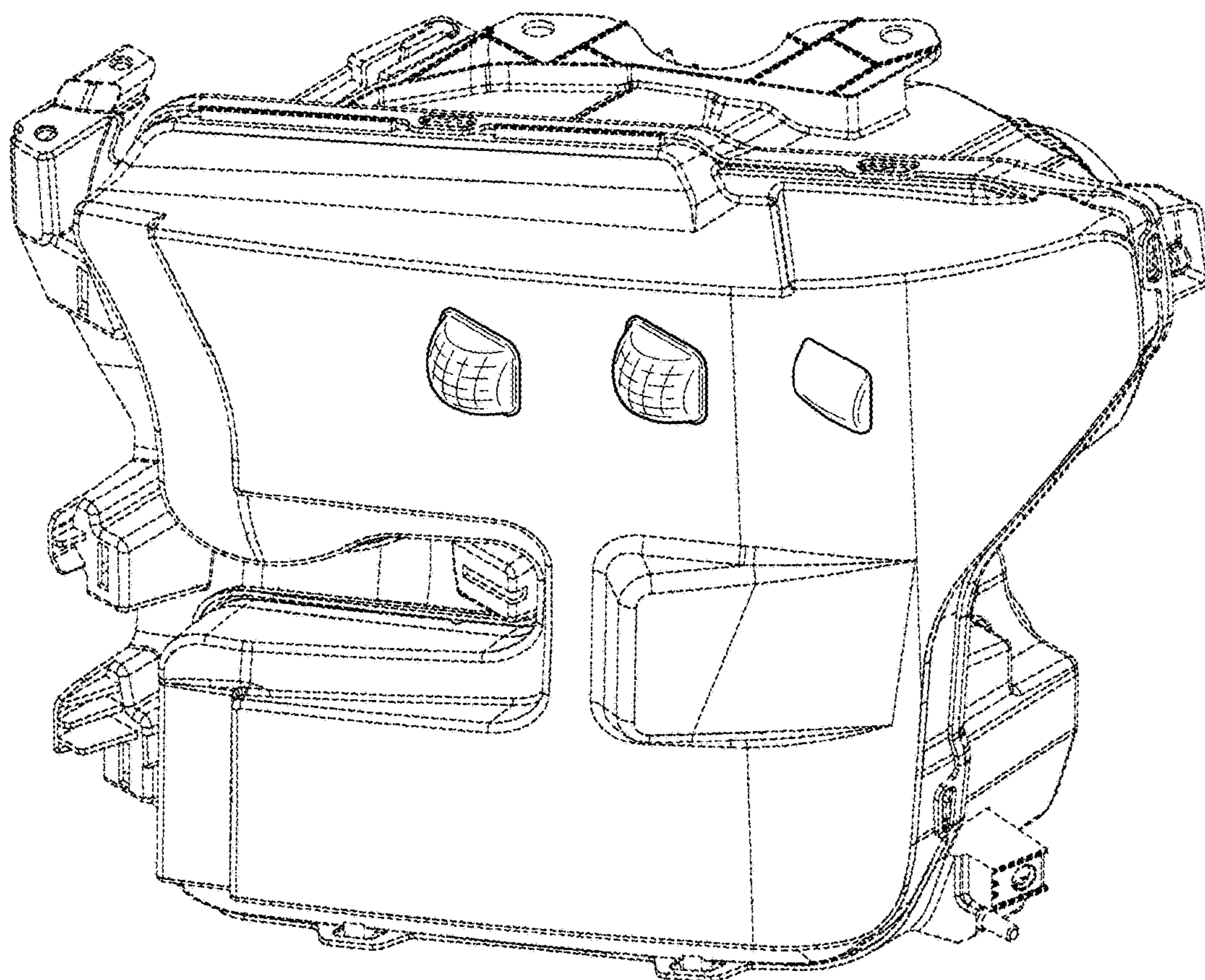
(56) **References Cited**

**U.S. PATENT DOCUMENTS**

D556,349 S \* 11/2007 Golden ..... D26/28  
D570,007 S \* 5/2008 Hsu ..... D26/28

**1 Claim, 4 Drawing Sheets**





**FIG. 1**



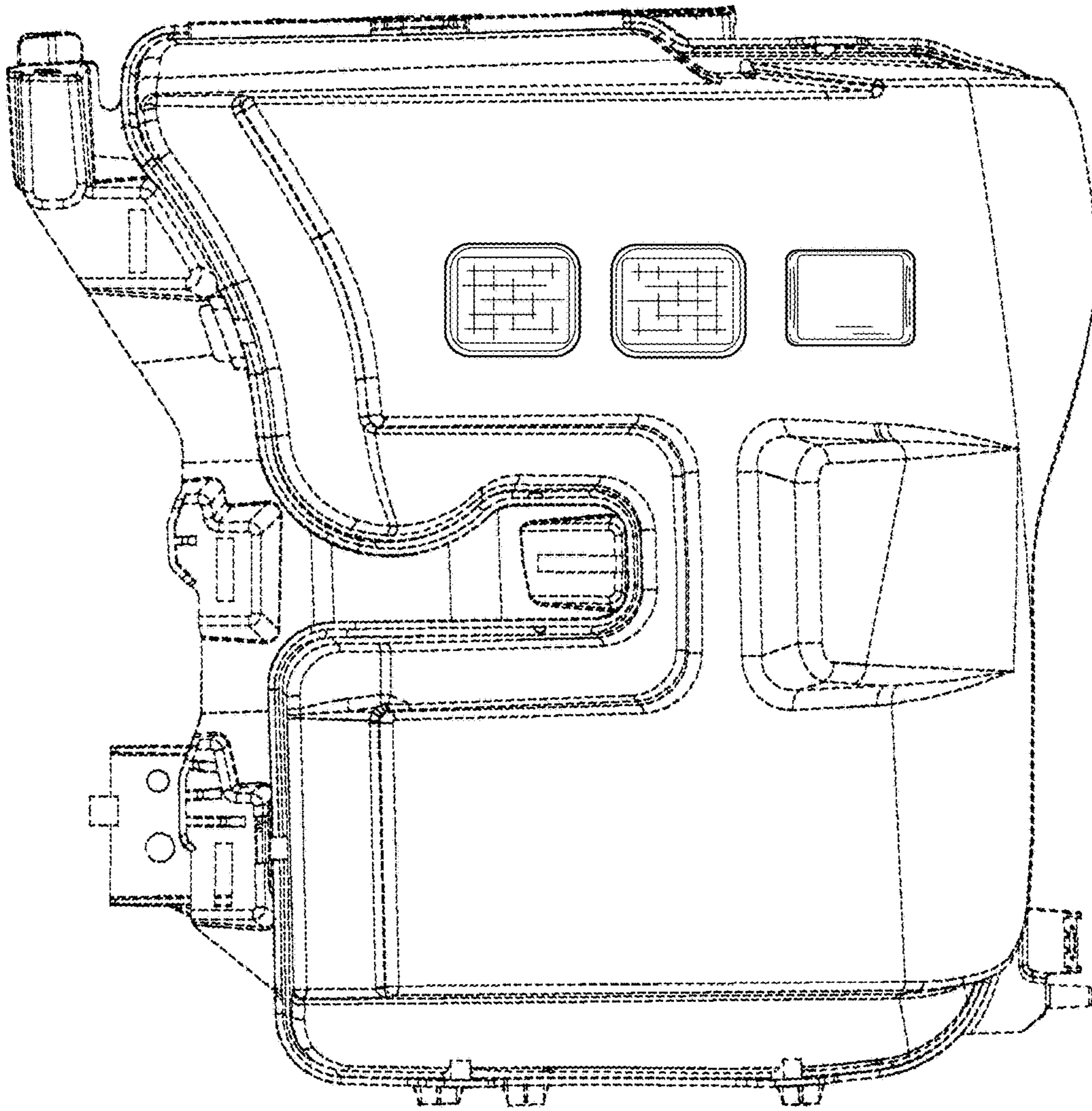


FIG. 2

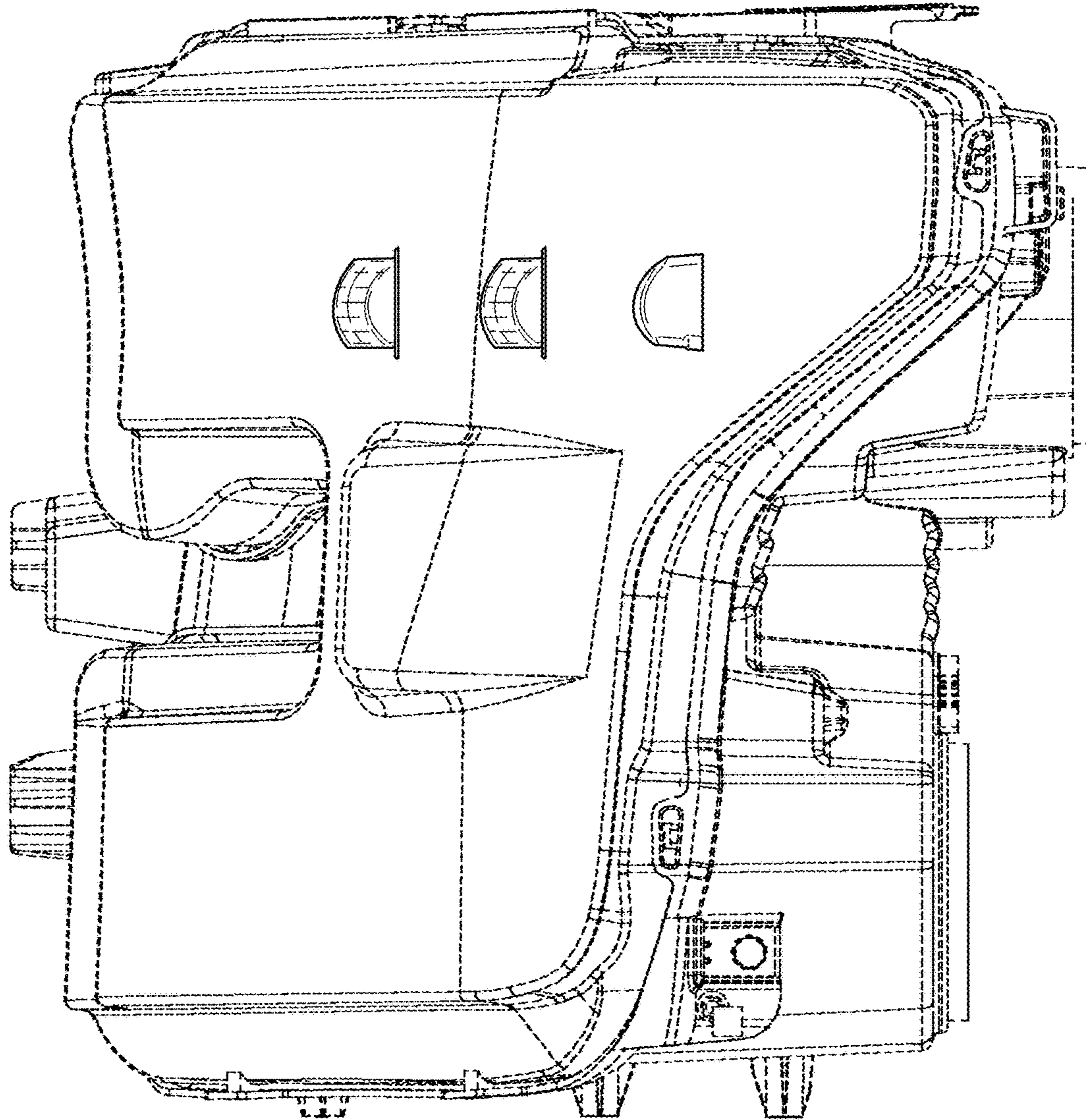


FIG. 3

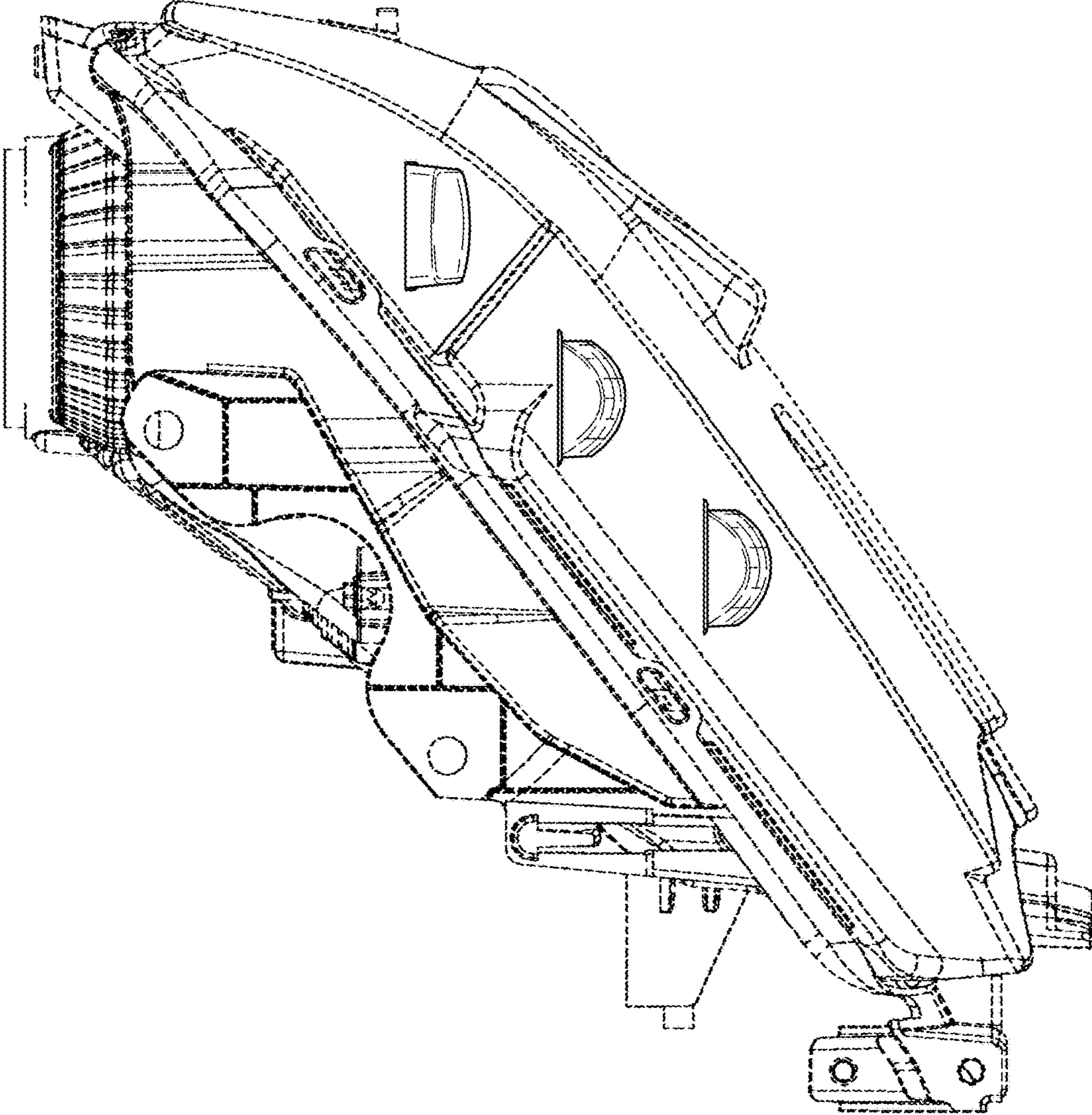


FIG. 4