



US00D851792S

(12) **United States Design Patent**
Tang

(10) **Patent No.:** **US D851,792 S**

(45) **Date of Patent:** **** Jun. 18, 2019**

(54) **HEADLAMP FOR A VEHICLE**

D753,323 S * 4/2016 George D26/28
D799,728 S 10/2017 Whitla et al.
D806,921 S 1/2018 Ryu et al.

(71) Applicant: **Wai Kin Tang**, City of Industry, CA
(US)

* cited by examiner

(72) Inventor: **Wai Kin Tang**, City of Industry, CA
(US)

Primary Examiner — Marcus A Jackson
(74) *Attorney, Agent, or Firm* — Kirk A. Buhler; Buhler
& Associates

(**) Term: **15 Years**

(57) **CLAIM**

(21) Appl. No.: **29/639,713**

The ornamental design for a headlamp for a vehicle, as shown.

(22) Filed: **Mar. 8, 2018**

DESCRIPTION

(51) **LOC (11) Cl.** **26-06**

(52) **U.S. Cl.**
USPC **D26/28**

(58) **Field of Classification Search**
USPC D26/28–36
CPC F21S 48/00; F21S 48/10; F21S 48/115;
F21S 48/225; F21S 48/1233; F21S
48/1266; F21S 48/1388; F21S 48/2268;
F21V 13/00; F21V 21/04; F21V 29/004
See application file for complete search history.

FIG. 1 is a top perspective view of a headlamp for a vehicle, showing my new design;
FIG. 2 is a front elevation view thereof;
FIG. 3 is a right-side elevation view thereof;
FIG. 4 is a bottom view thereof;
FIG. 5 is a top perspective view of a headlamp for a vehicle in a second embodiment thereof;
FIG. 6 is a front elevation view thereof;
FIG. 7 is a right-side elevation view thereof; and,
FIG. 8 is a bottom view thereof.

The broken lines in the figures depict environmental subject matter and form no part of the claimed design.

The front outer cover of the environmental headlight is clear and environmental contour lines are visible as the projection lenses are visible through the clear front outer cover.

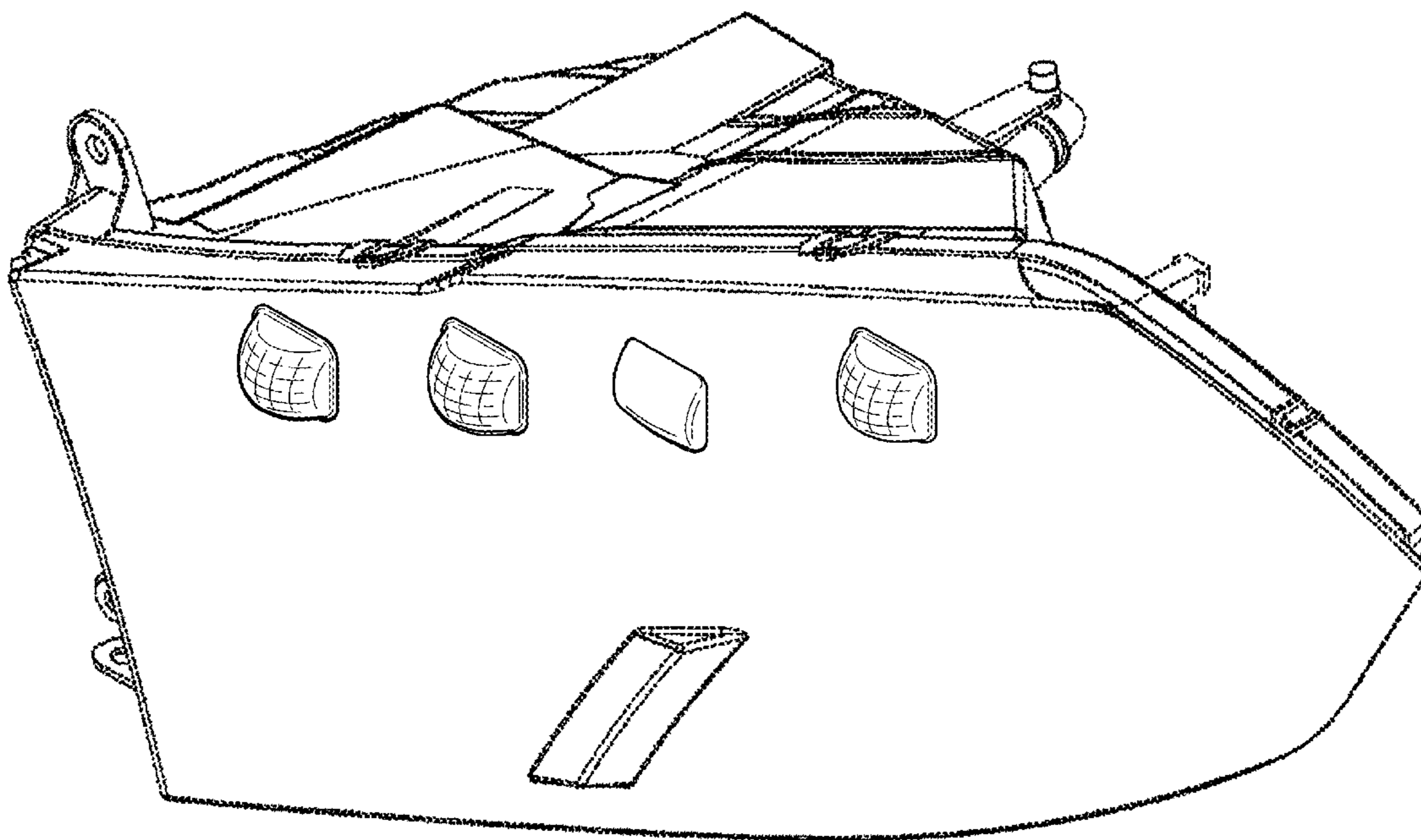
The figures represent the right headlamp for a vehicle, the left headlamp for a vehicle is a mirror image thereof.

(56) **References Cited**

U.S. PATENT DOCUMENTS

D526,429 S * 8/2006 Hovind D26/28
D580,571 S * 11/2008 Gotschke D26/28
D735,914 S * 8/2015 Gotschke D26/28

1 Claim, 8 Drawing Sheets



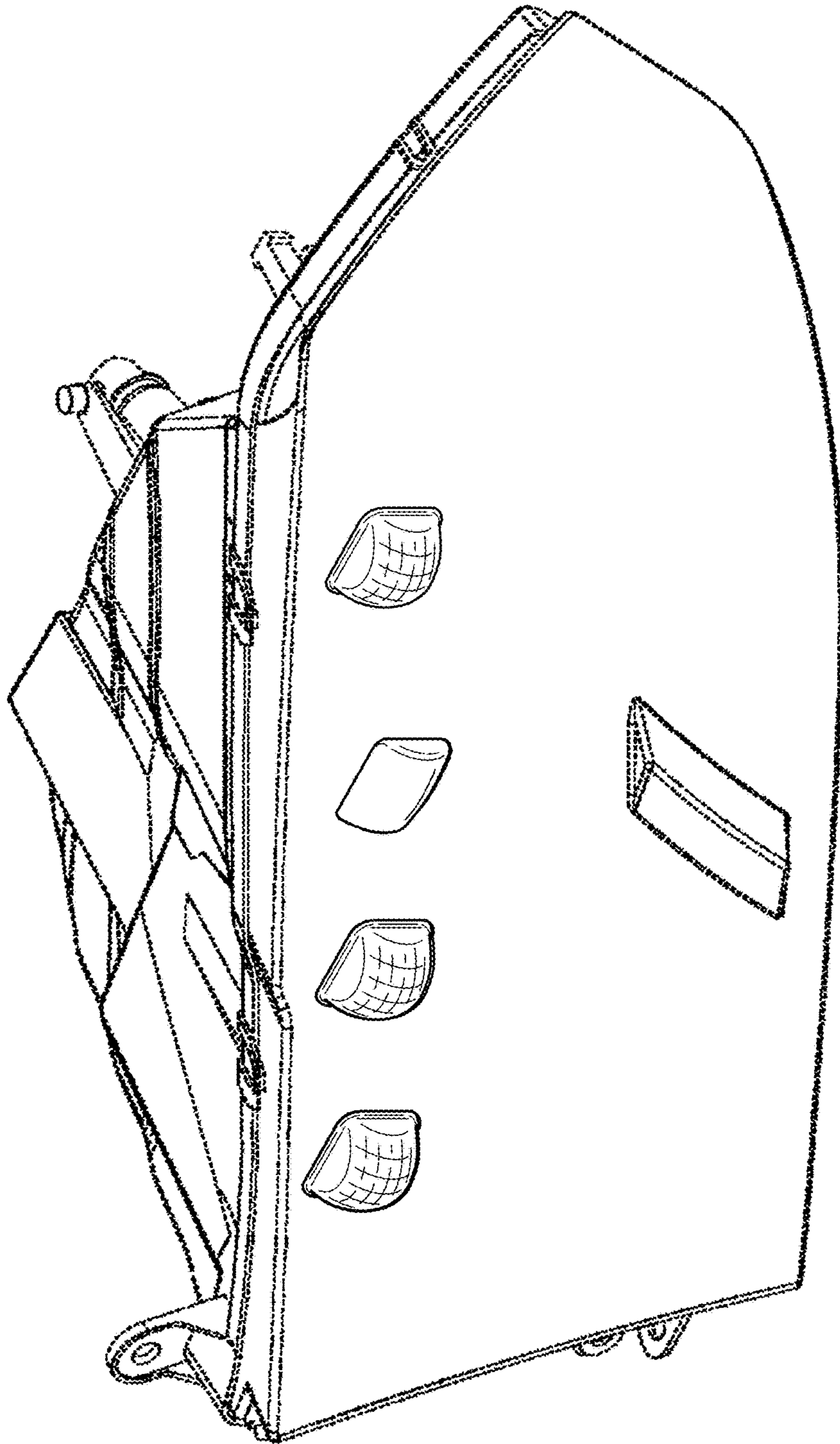


FIG. 1

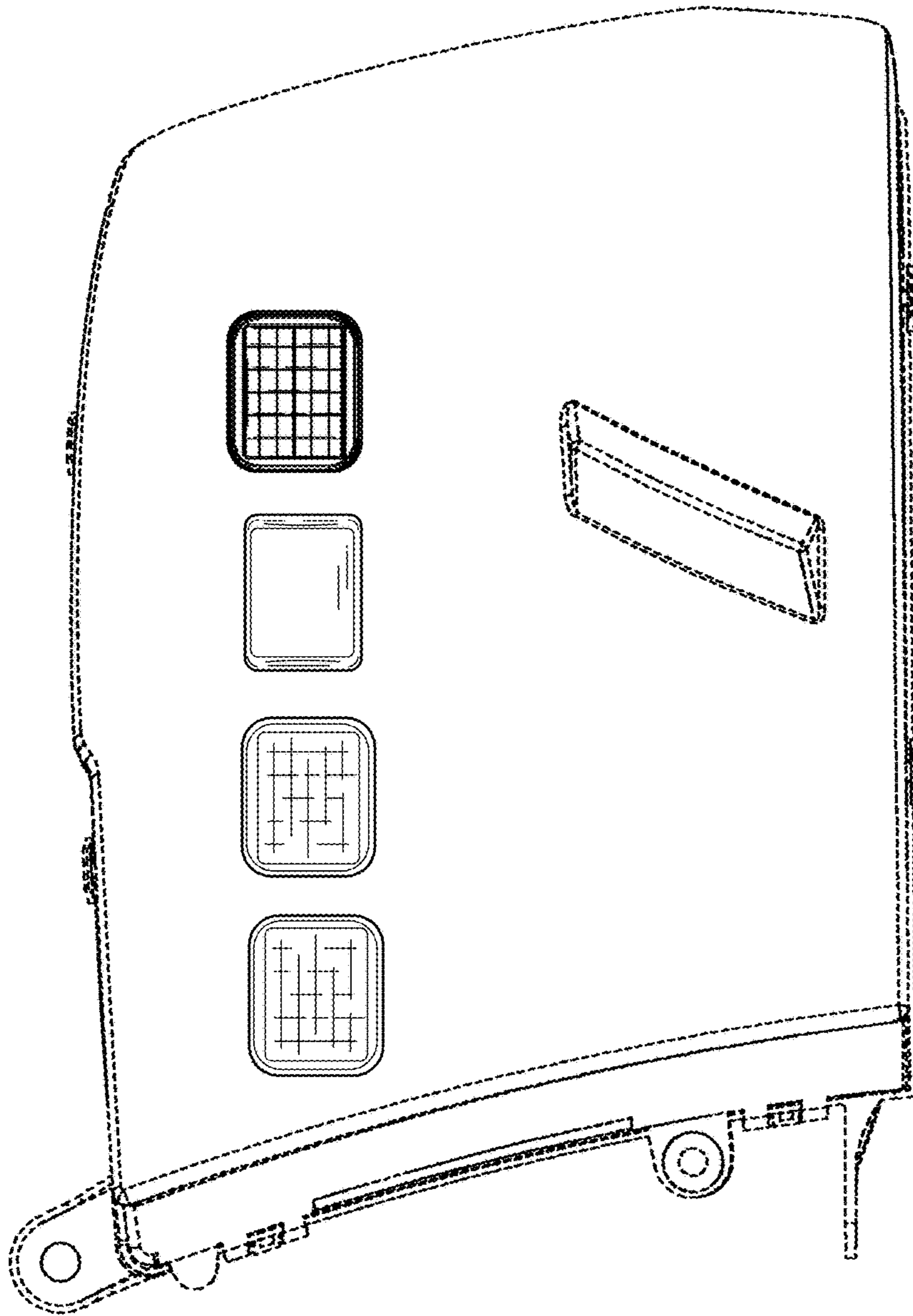


FIG. 2

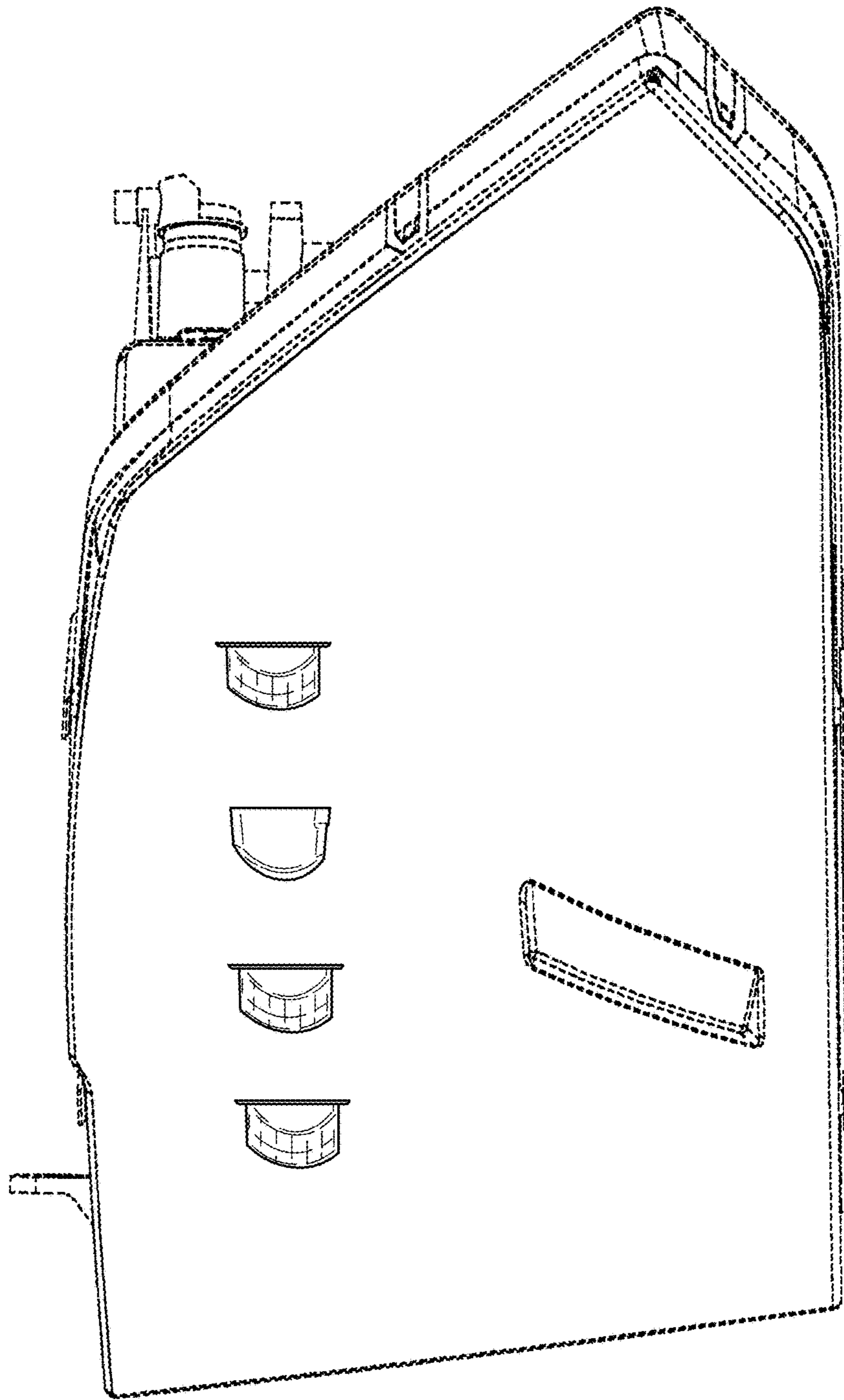


FIG. 3

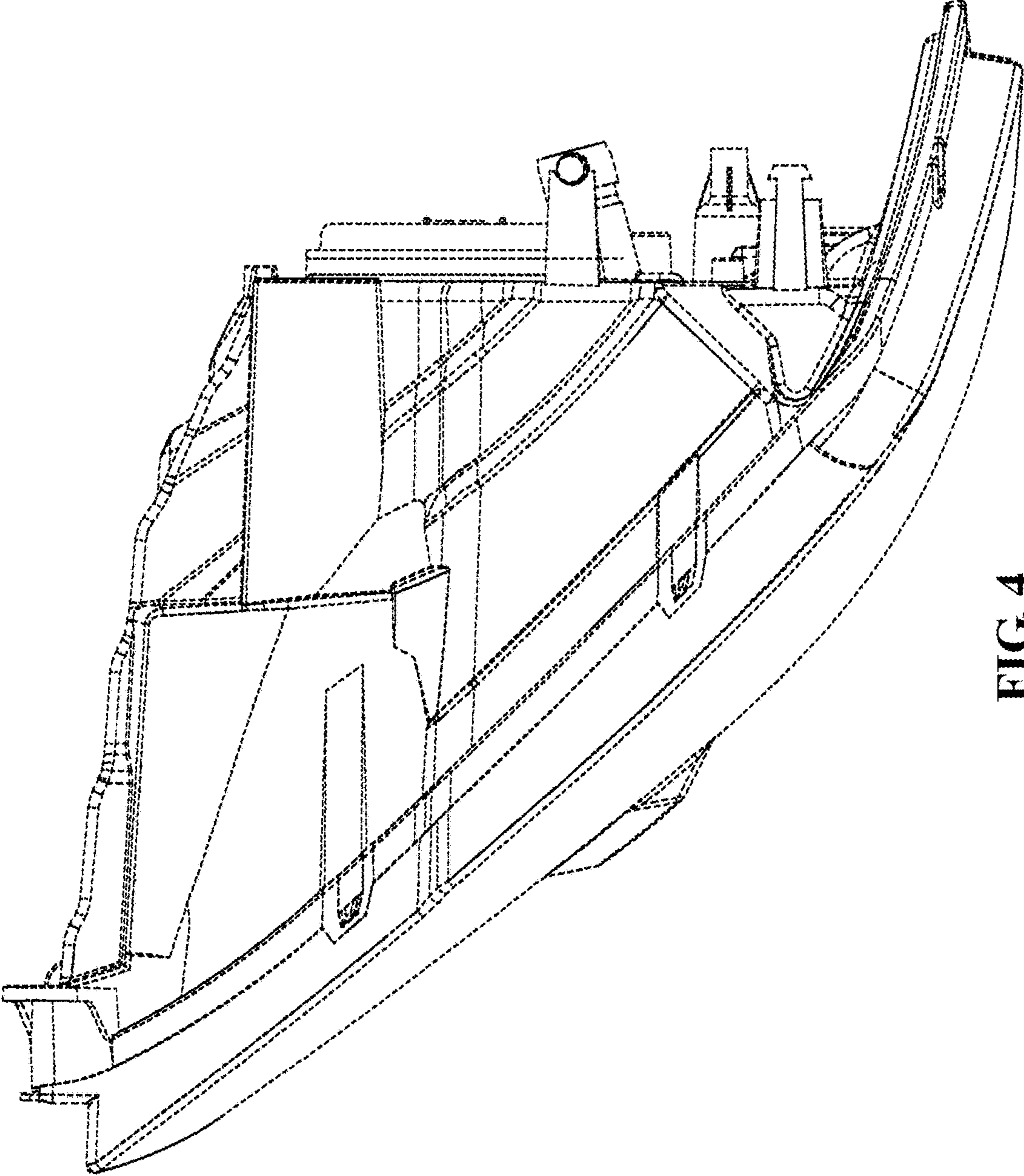


FIG. 4

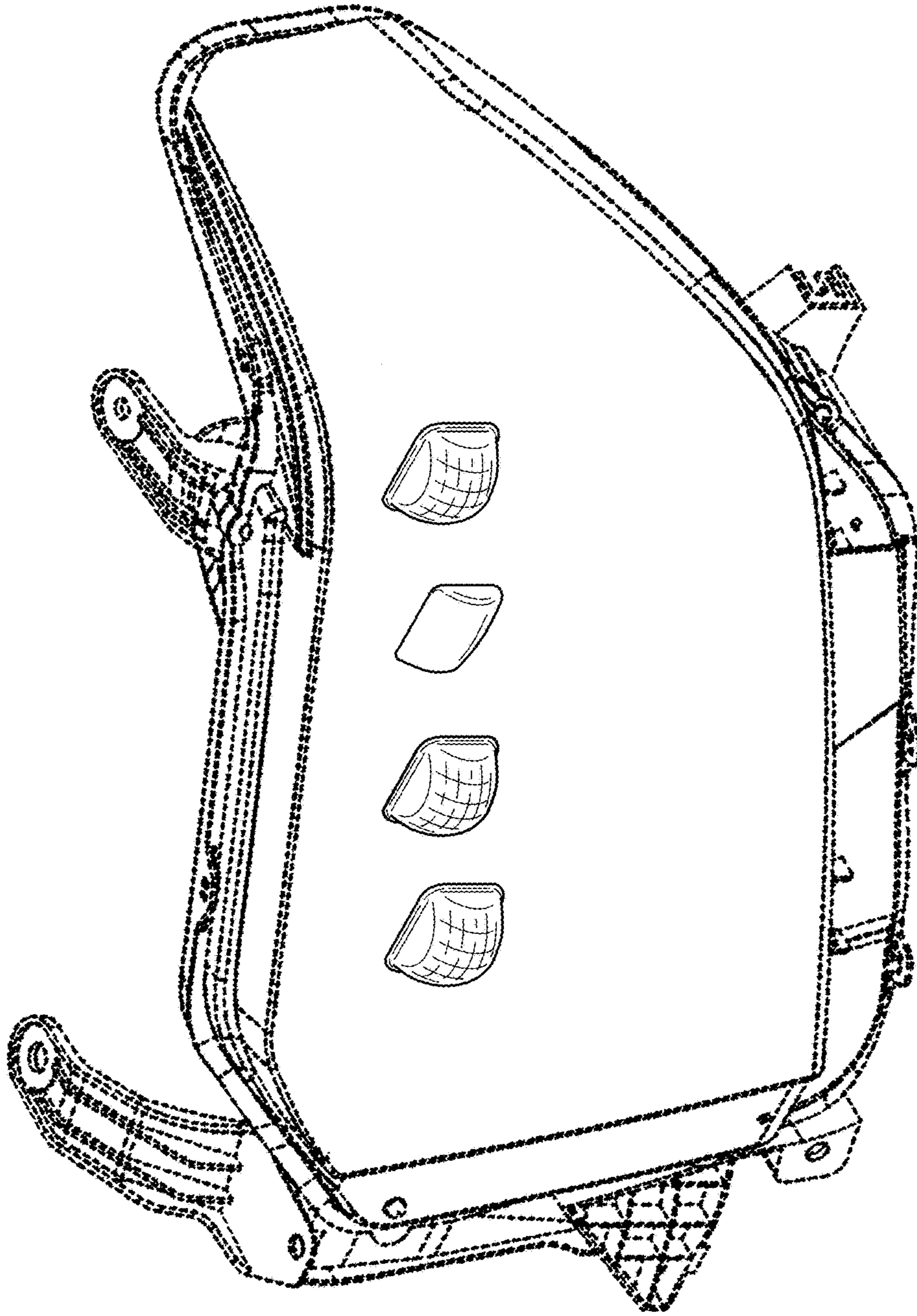


FIG. 5

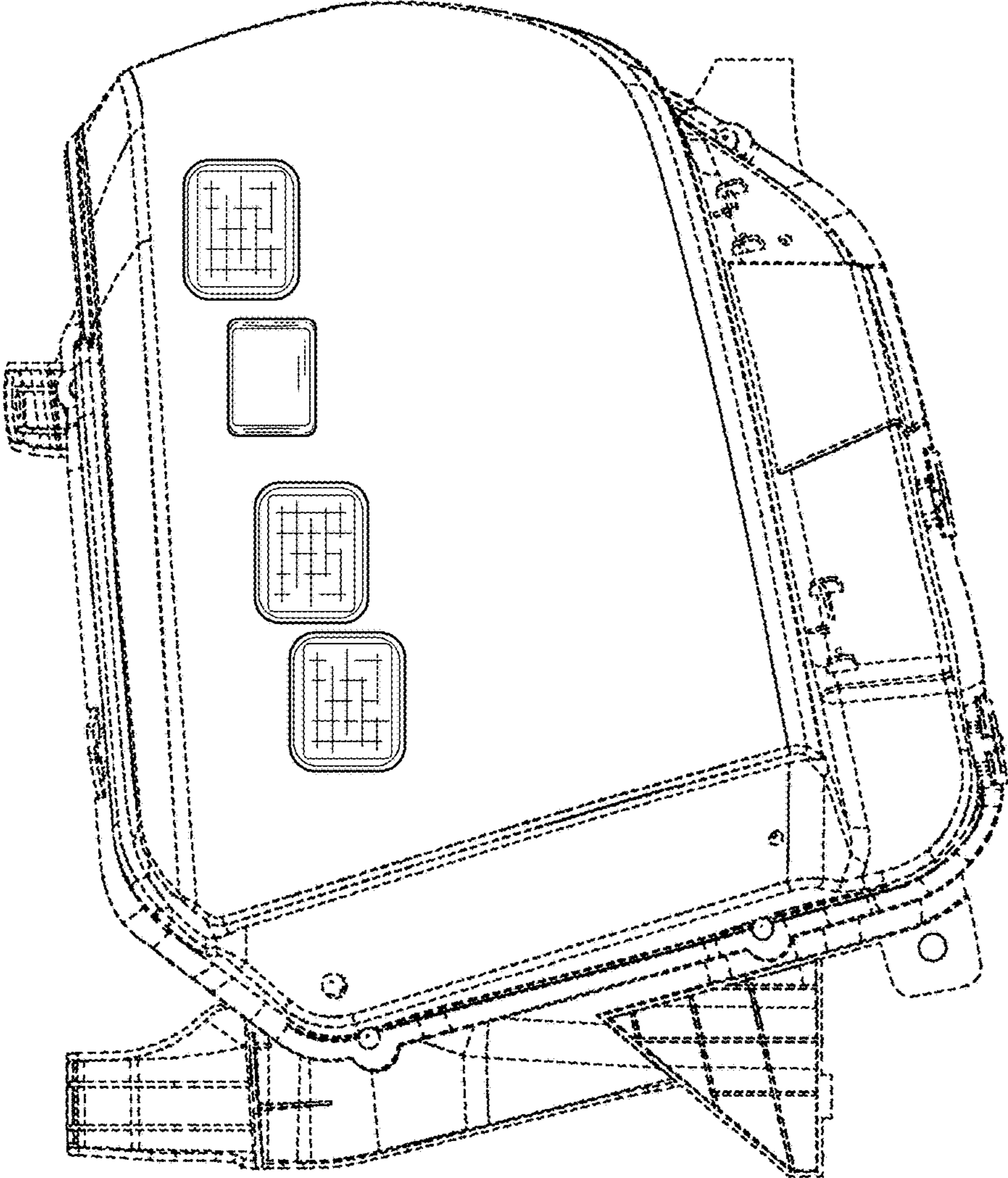


FIG. 6

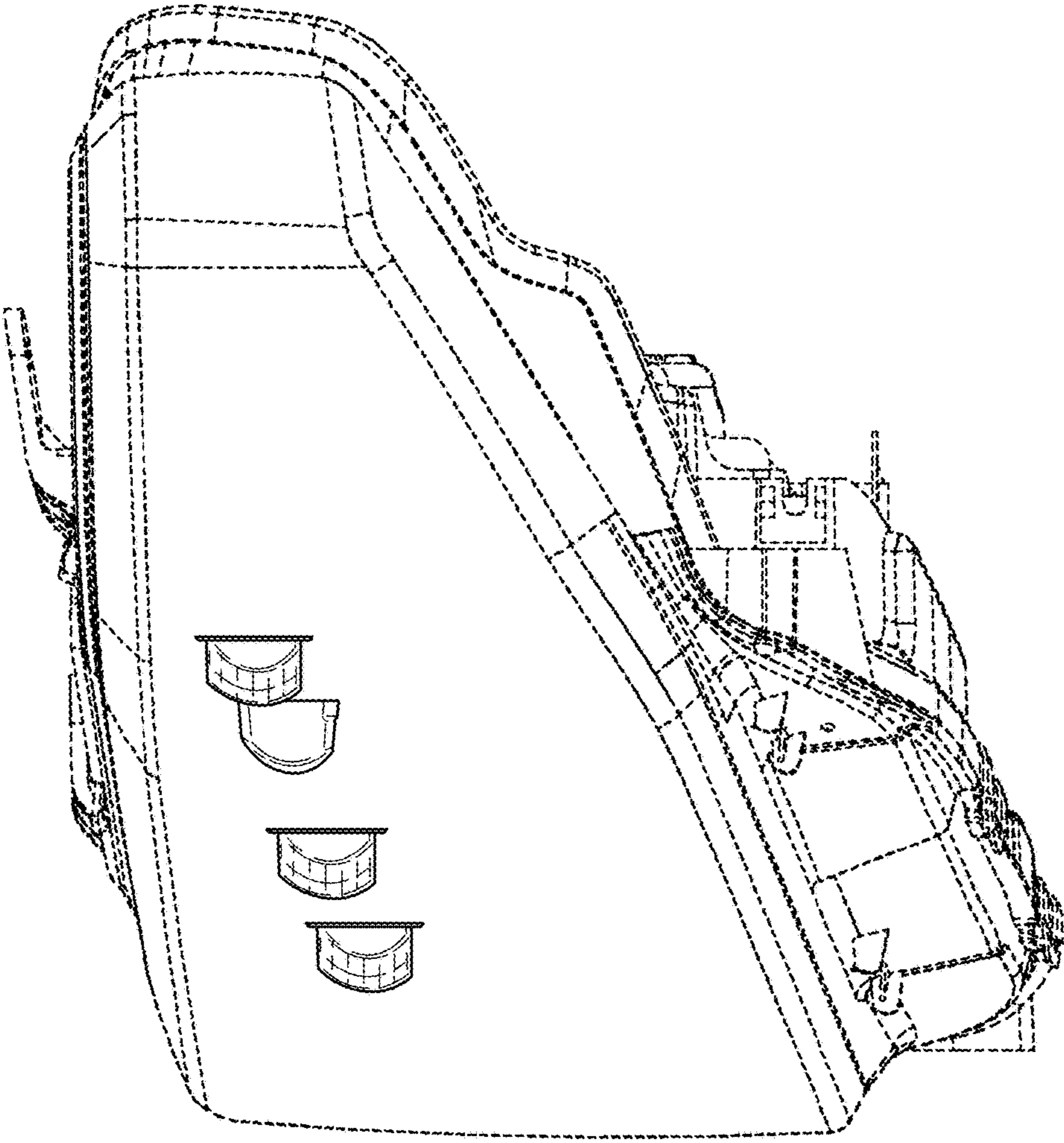


FIG. 7

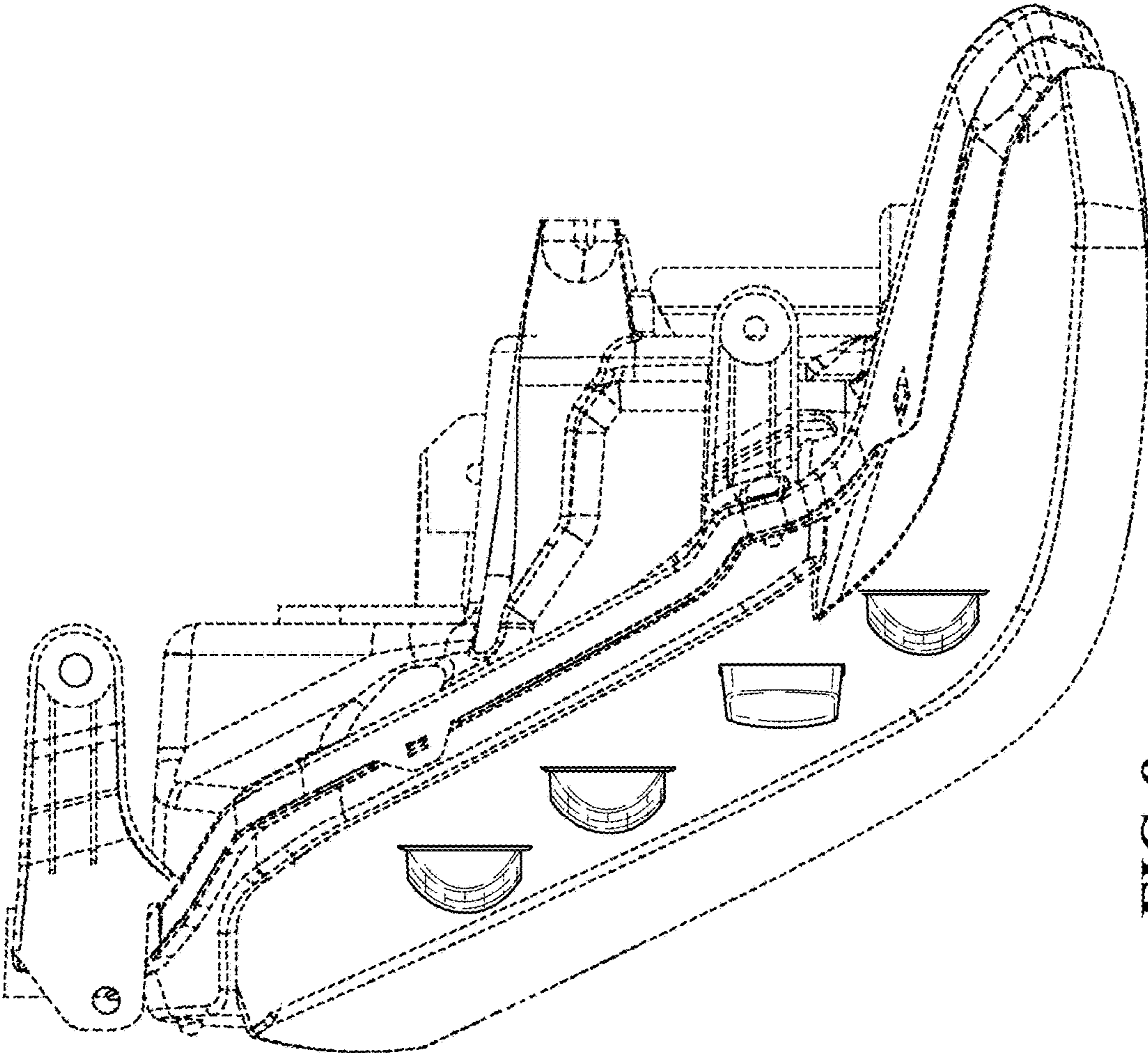


FIG. 8