



US00D851789S

(12) **United States Design Patent**
Johnson

(10) **Patent No.:** **US D851,789 S**

(45) **Date of Patent:** **** Jun. 18, 2019**

(54) **LIGHT BAR**

(71) Applicant: **London Johnson, Inc.**, Fishersville, VA (US)

(72) Inventor: **Brian P. Johnson**, Fishersville, VA (US)

(73) Assignee: **London Johnson, Inc.**, Dallas, TX (US)

(**) Term: **15 Years**

(21) Appl. No.: **29/602,543**

(22) Filed: **May 1, 2017**

(51) **LOC (11) Cl.** **26-03**

(52) **U.S. Cl.**
USPC **D26/24; D26/76**

(58) **Field of Classification Search**
USPC D26/24, 28, 35, 72, 74-76, 79-81, 83, D26/85, 86, 88-91, 118-122
CPC F21S 8/02; F21S 8/03; F21S 8/04; F21S 8/06; F21S 8/033; F21S 8/036; F21S 8/043; F21S 4/20; F21S 4/28; F21S 9/00; F21S 10/00; F21S 10/26; F21V 21/02
See application file for complete search history.

(56) **References Cited**

U.S. PATENT DOCUMENTS

2,640,911 A *	6/1953	McCann	F21S 8/06 362/217.08
D205,192 S *	7/1966	Shearin	D26/51
D366,337 S *	1/1996	Yuen	D26/44
D384,762 S *	10/1997	Roorda	D26/24
D443,096 S *	5/2001	Echito	D26/76

(Continued)

OTHER PUBLICATIONS

Under Cabinet Light bar (available online) Retrieved from the internet Jan. 8, 2019 from URL: https://cdn.shopify.com/s/files/1/0874/5098/products/BRRRC116_-_dimensions_1024x1024.jpg?v=1519153365.*

Primary Examiner — Kevin K Rudzinski

Assistant Examiner — Richard Kearney

(74) *Attorney, Agent, or Firm* — Perkins Coie LLP

(57) **CLAIM**

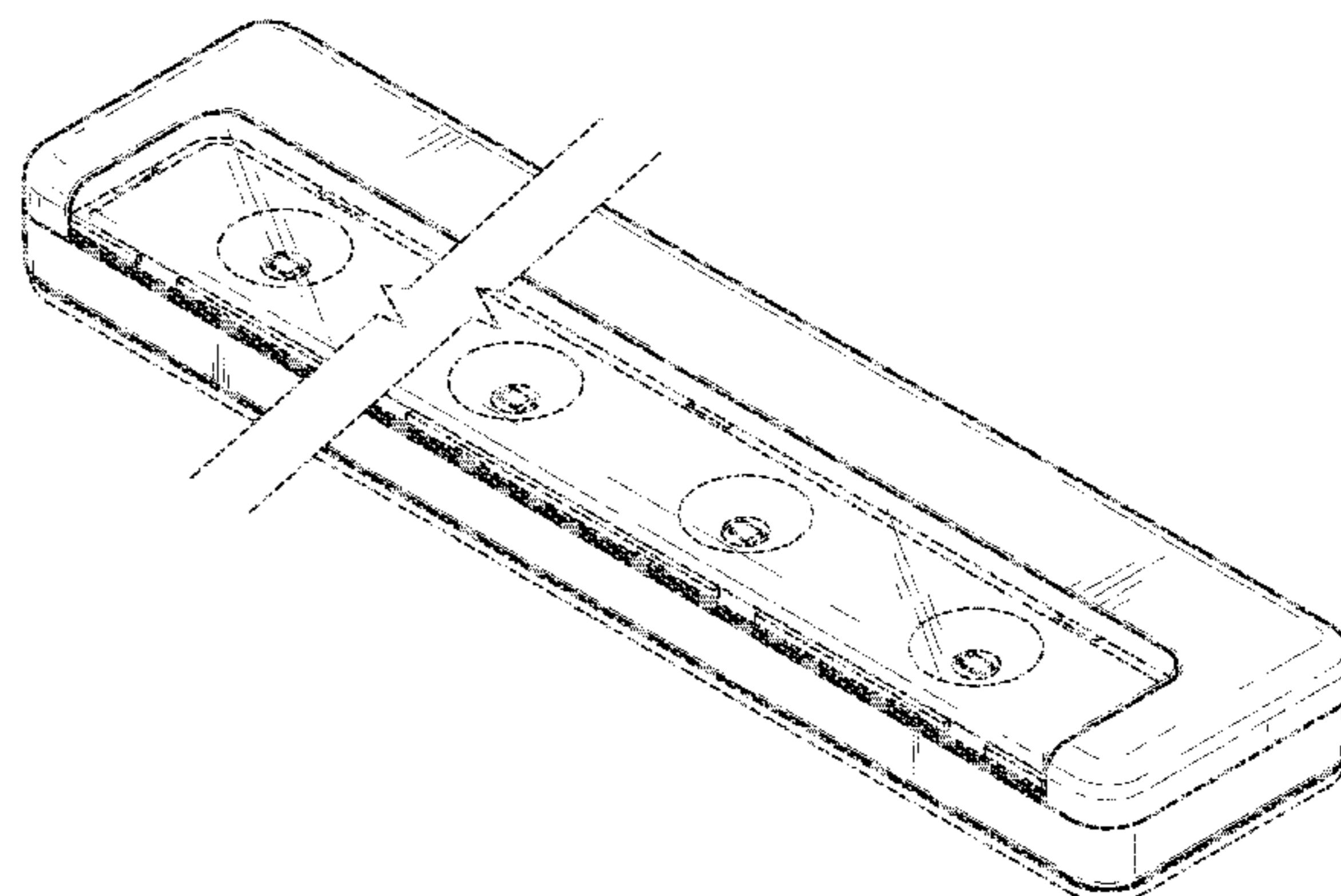
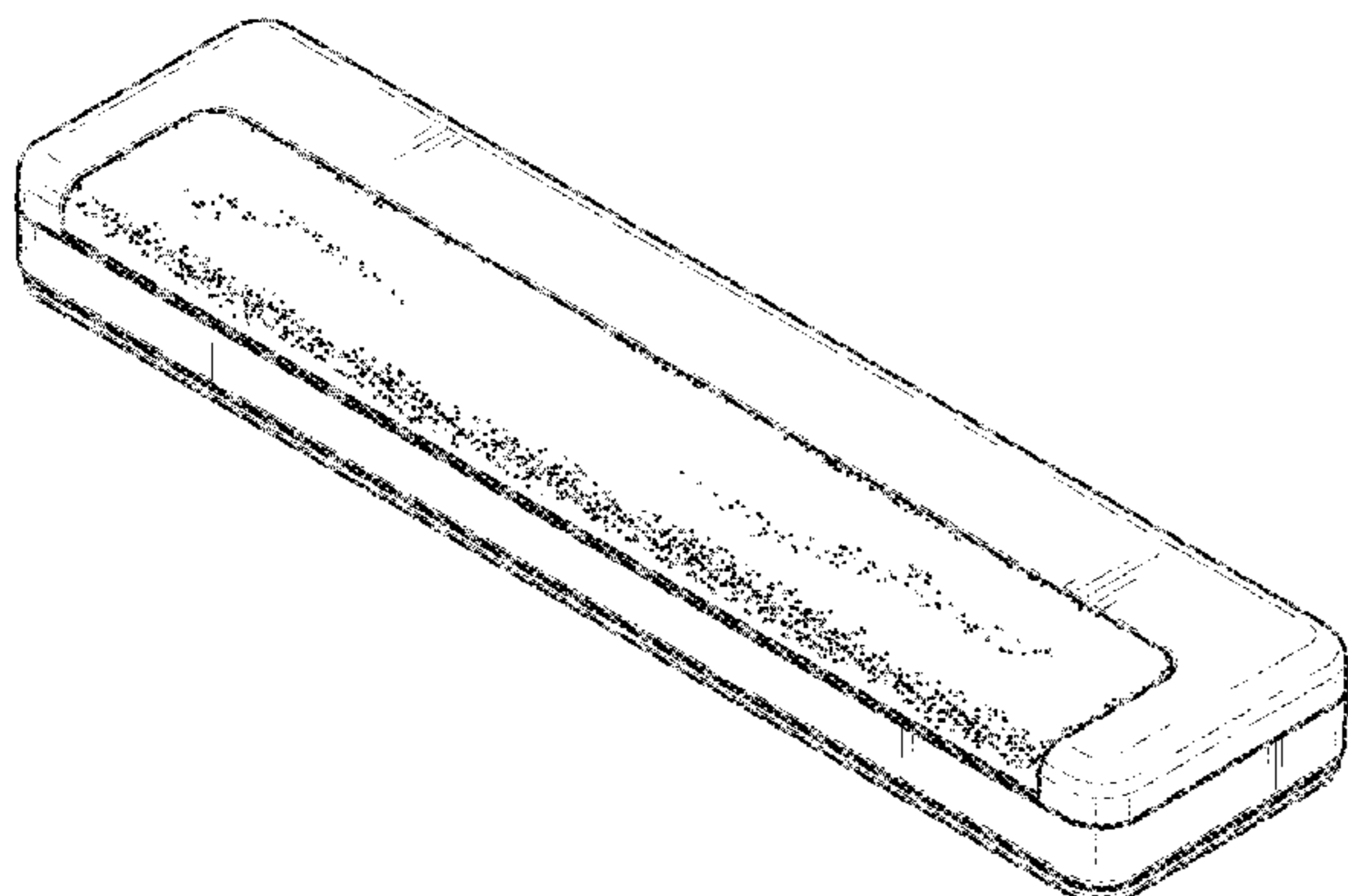
The ornamental designs for a light bar, as shown and described.

DESCRIPTION

FIG. 1 is a top front perspective view of a first embodiment of a light bar showing my new design;
FIG. 2 is a top plan view thereof;
FIG. 3 is a bottom plan view thereof;
FIG. 4 is a front side view thereof;
FIG. 5 is a back side view thereof;
FIG. 6 is a first end view thereof;
FIG. 7 is a second end view thereof;
FIG. 8 is a top front perspective view of a second embodiment of a light bar showing my new design;
FIG. 9 is a top plan view thereof;
FIG. 10 is a bottom plan view thereof;
FIG. 11 is a front side view thereof;
FIG. 12 is a back side view thereof;
FIG. 13 is a first end view thereof;
FIG. 14 is a second end view thereof;
FIG. 15 is a top front perspective view of a third embodiment of a light bar showing my new design;
FIG. 16 is a top plan view thereof;
FIG. 17 is a bottom plan view thereof;
FIG. 18 is a front side view thereof;
FIG. 19 is a back side view thereof;
FIG. 20 is a first end view thereof; and,
FIG. 21 is a second end view thereof.

The broken lines shown in the drawings illustrate portions of the light bar that form no part of the claimed design. The light bar is shown with symbolic break lines in its length. The appearance of any portion of the article between the break lines forms no part of the claimed design.

1 Claim, 6 Drawing Sheets



(56)

References Cited

U.S. PATENT DOCUMENTS

6,390,652	B1 *	5/2002	Echito	F21S 8/00 362/133
D585,152	S	1/2009	Levine	
D603,545	S	11/2009	Levine	
D606,229	S *	12/2009	Johansen	D26/76
D608,043	S *	1/2010	Ko	D26/72
D722,718	S *	2/2015	Chen	D26/72
D805,235	S *	12/2017	Waldmann	D26/76
D819,251	S *	5/2018	Martins	D26/76
D825,792	S *	8/2018	Johnson	D26/24
2007/0127235	A1 *	6/2007	Cooper	A61L 2/26 362/217.1

* cited by examiner

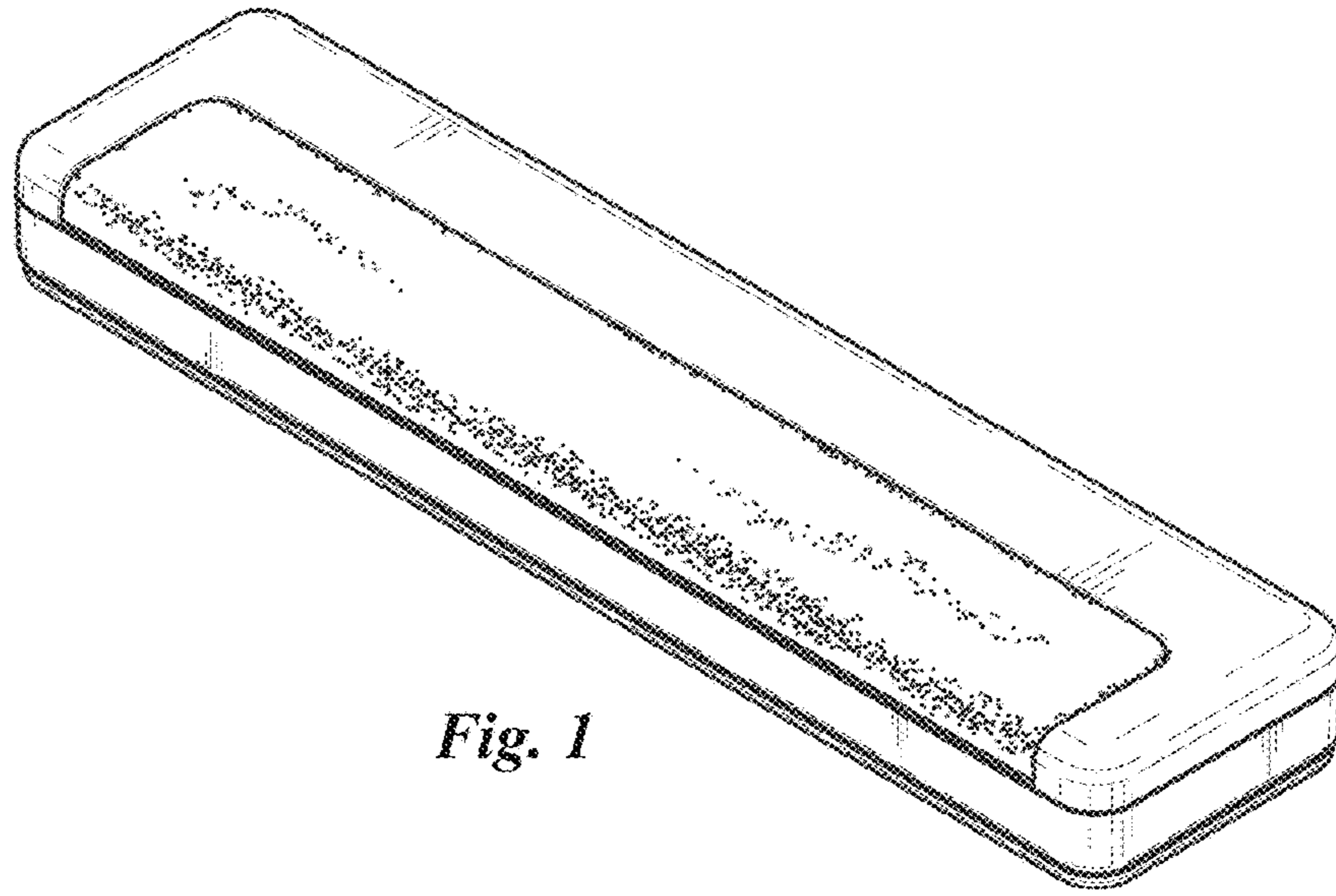


Fig. 1

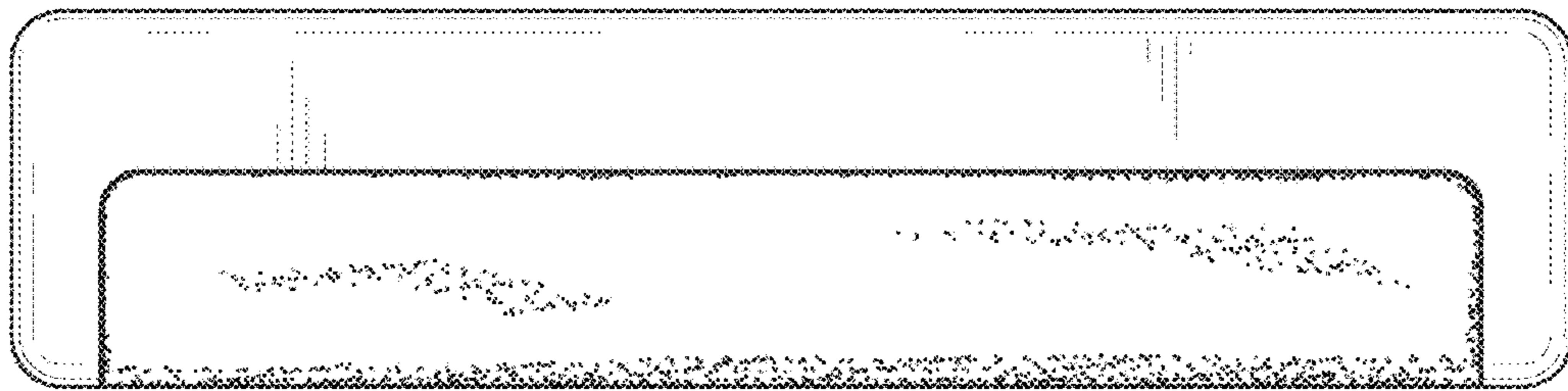


Fig. 2

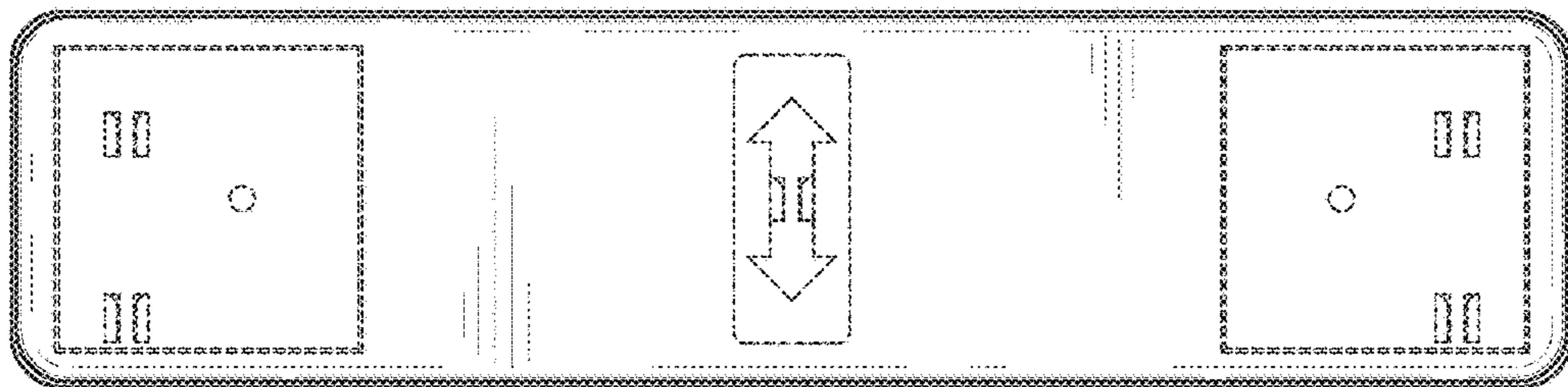


Fig. 3

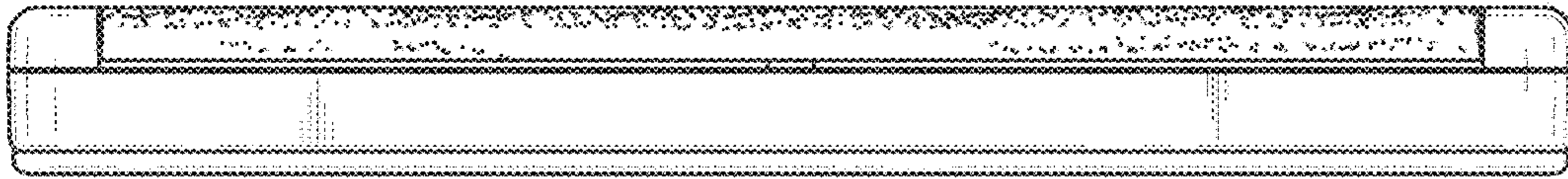


Fig. 4

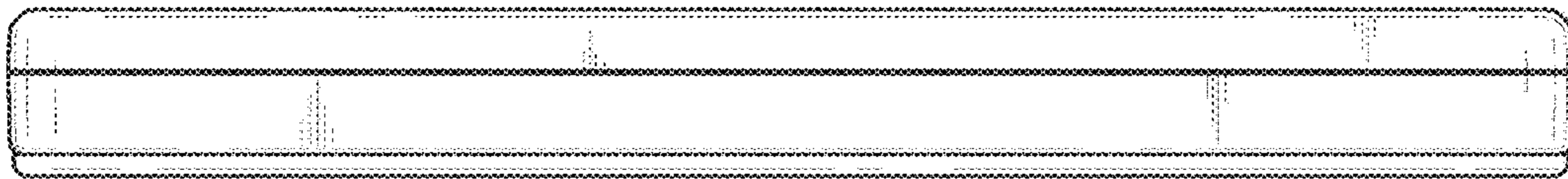


Fig. 5



Fig. 6



Fig. 7

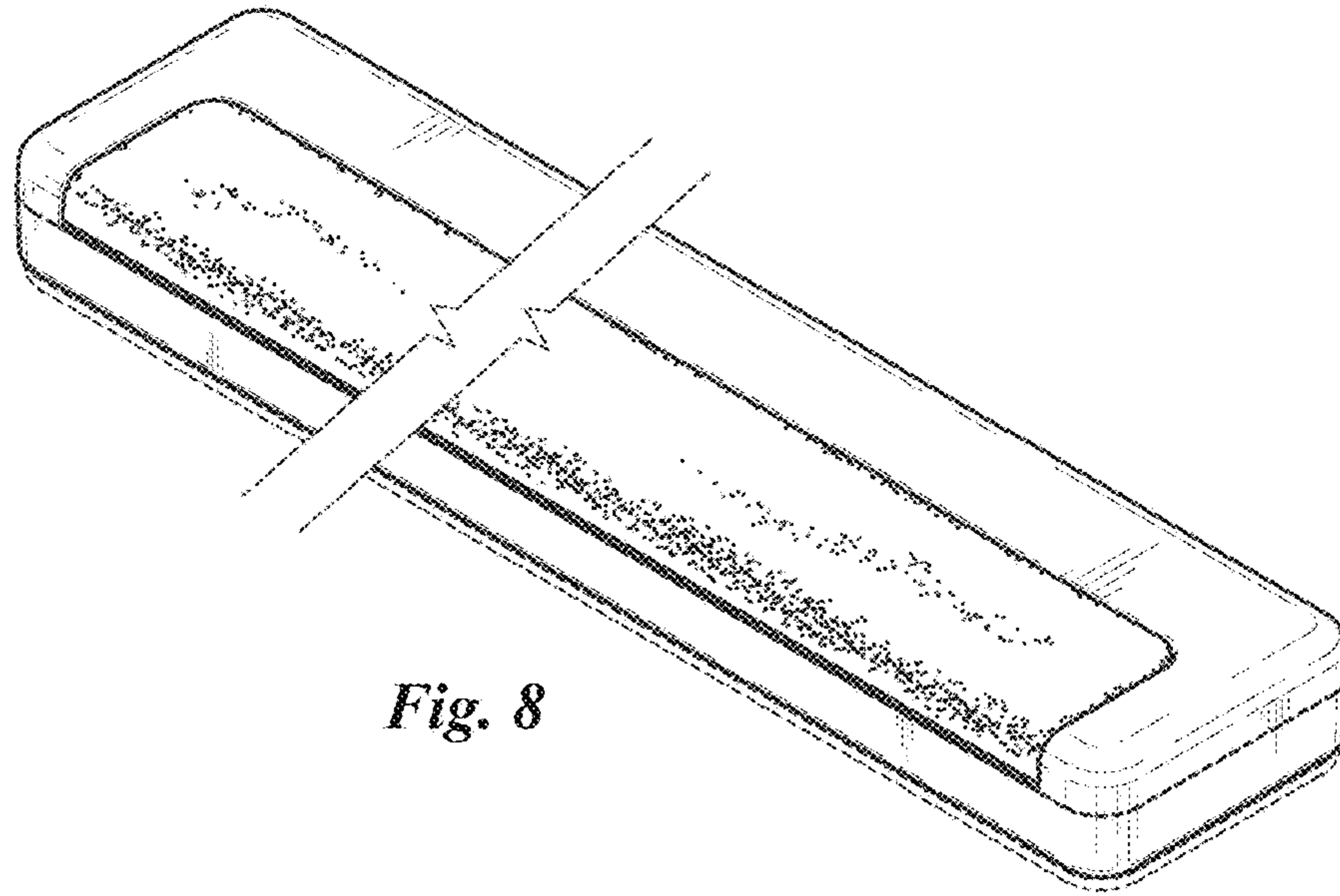


Fig. 8

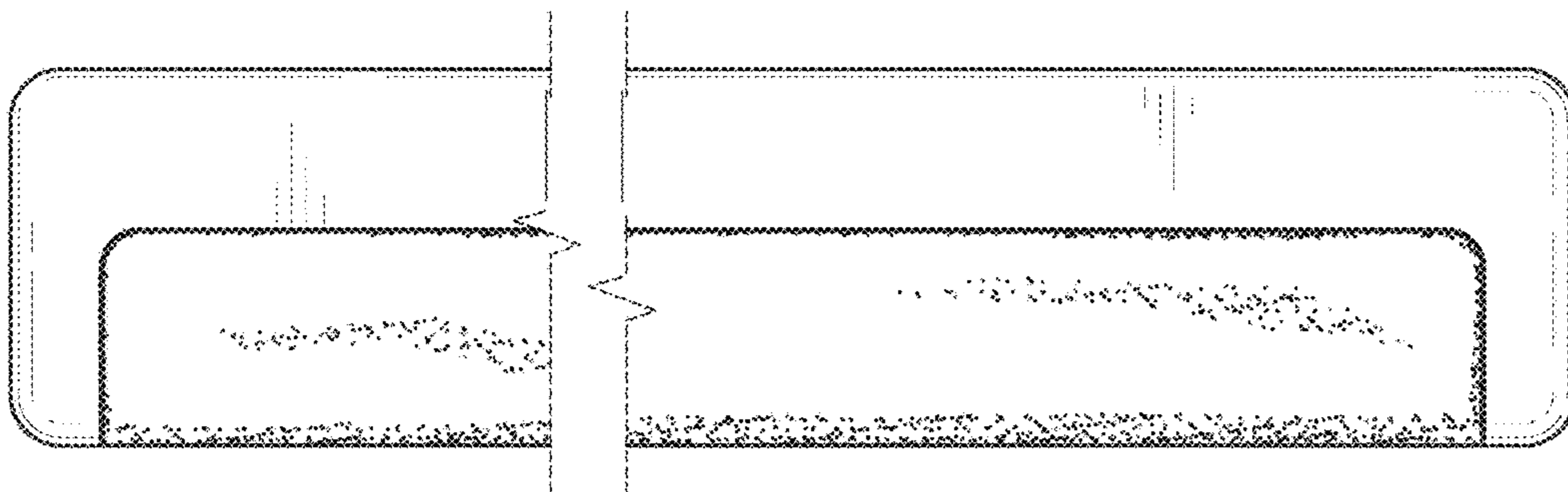


Fig. 9

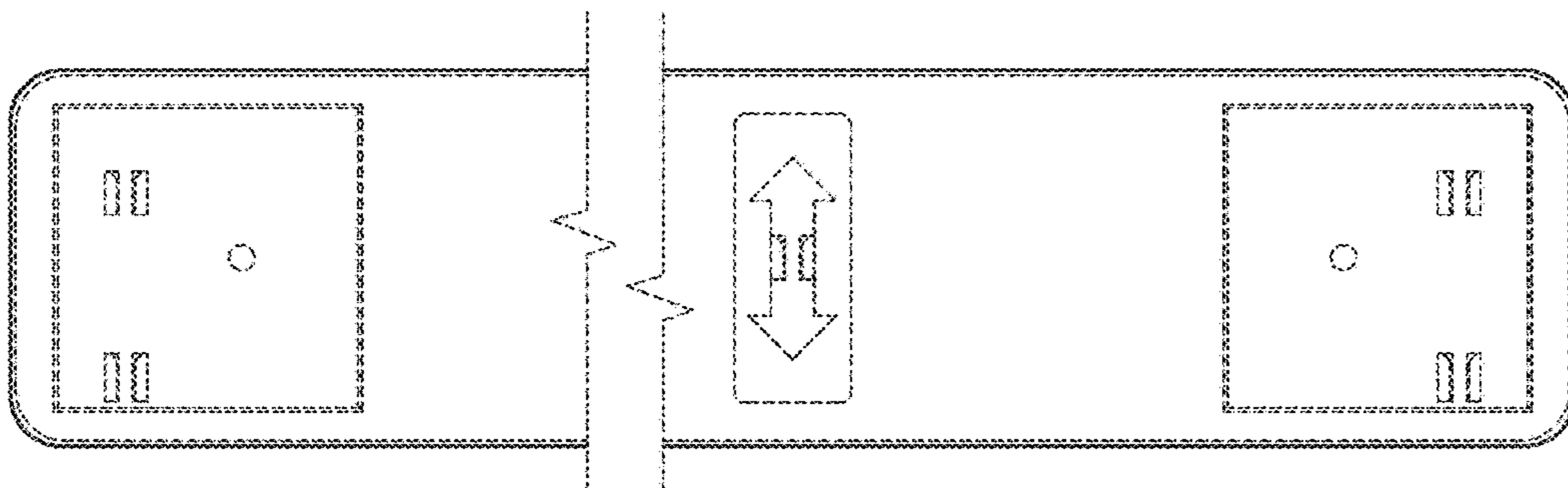


Fig. 10



Fig. 11

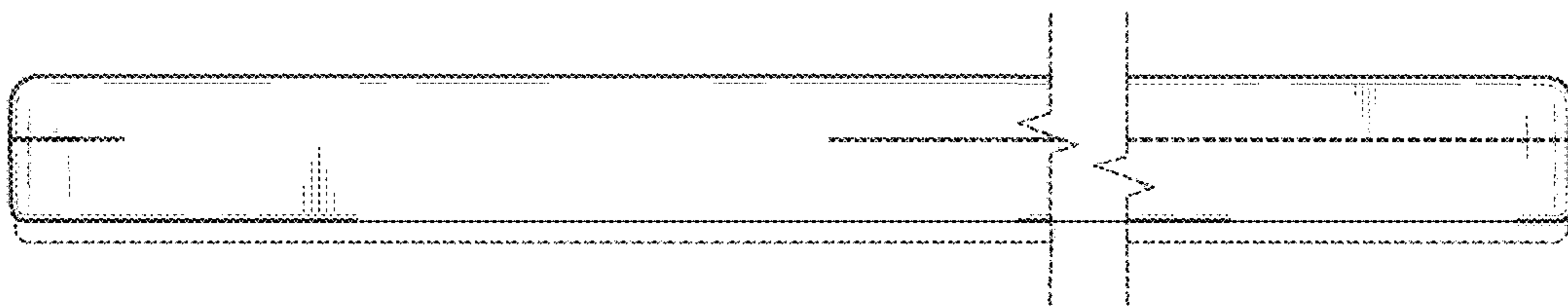


Fig. 12



Fig. 13

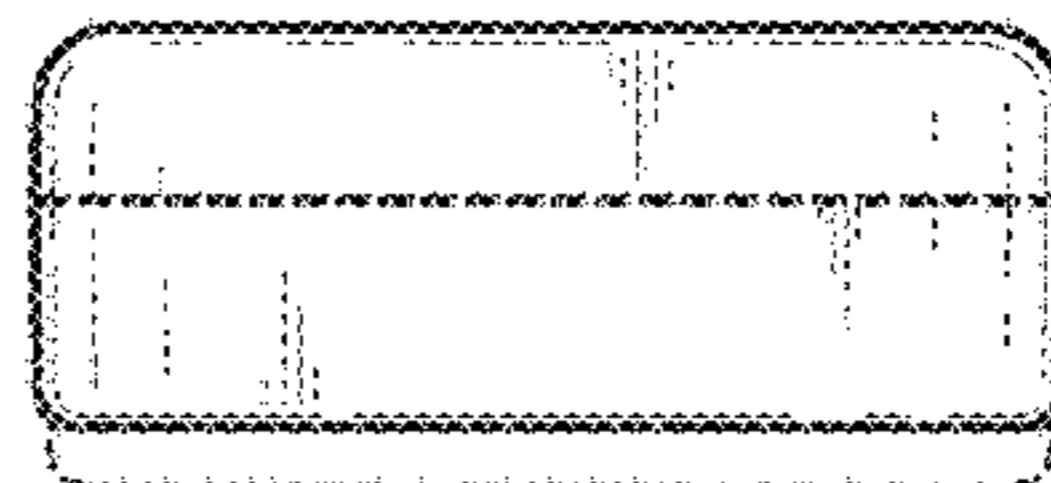


Fig. 14

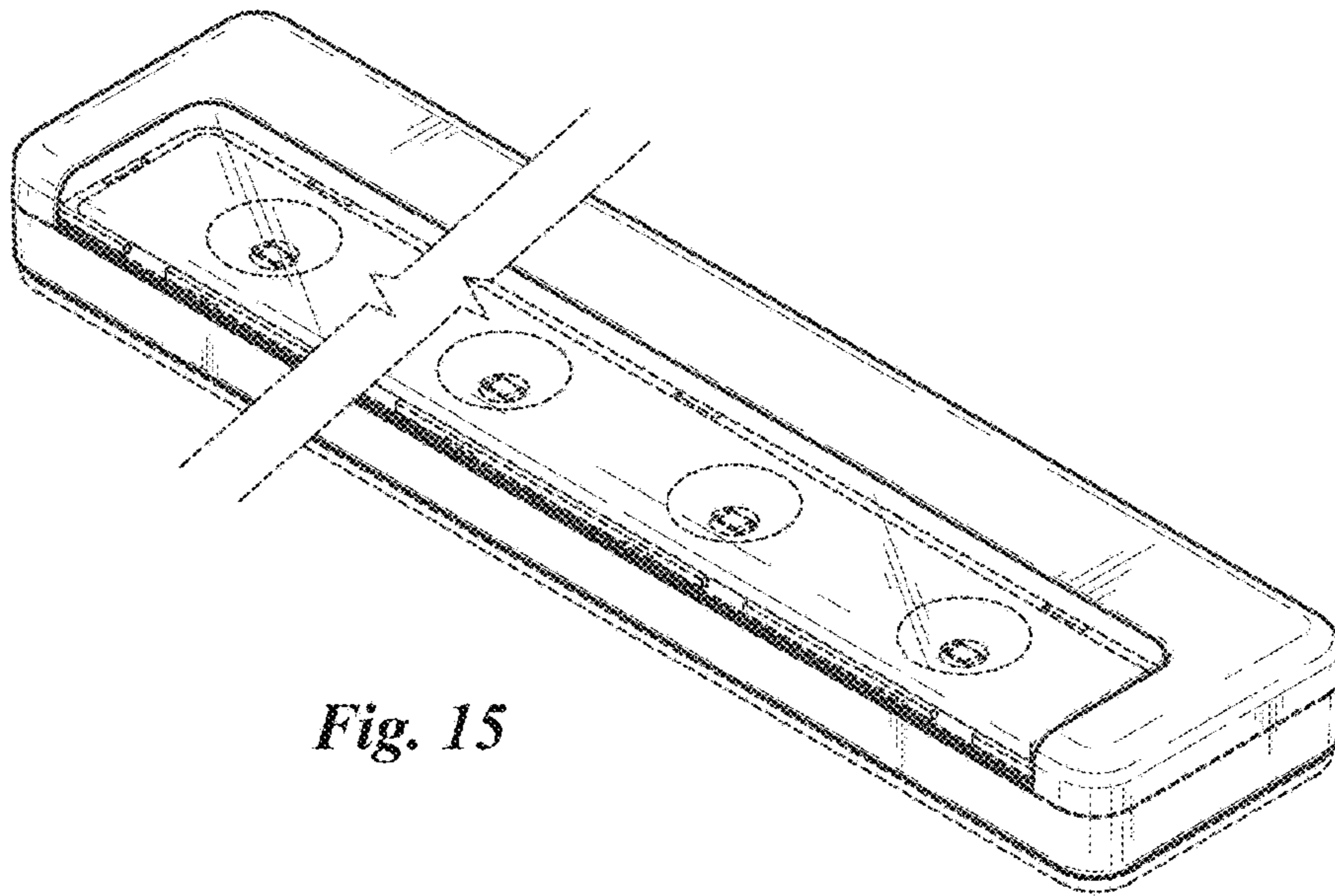


Fig. 15

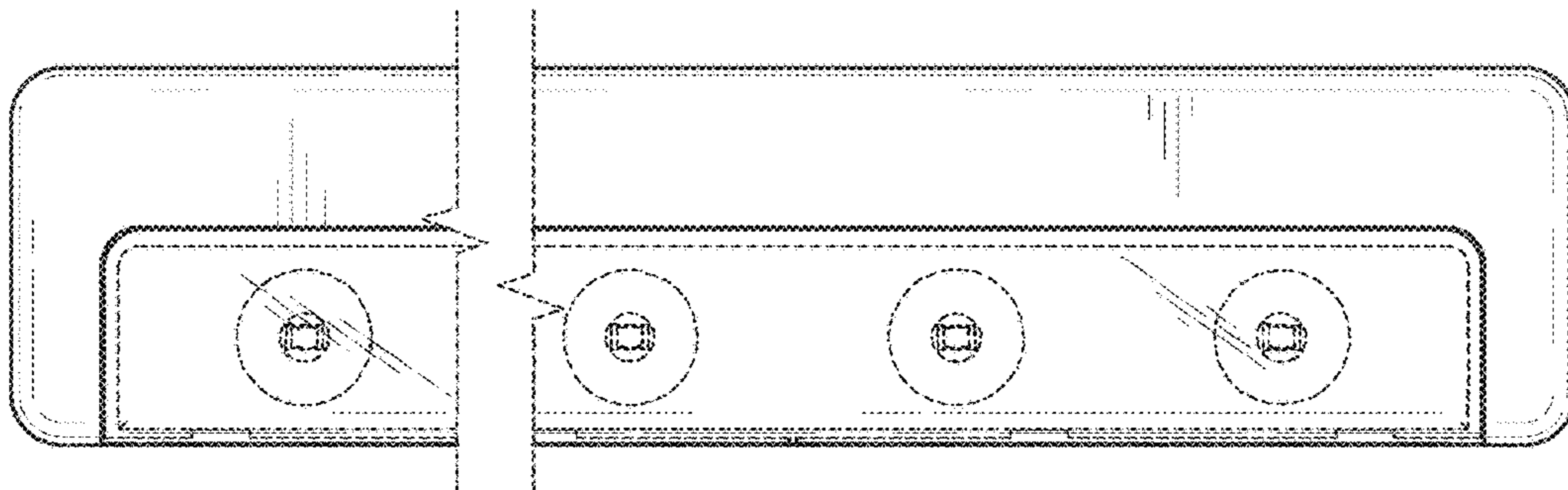


Fig. 16

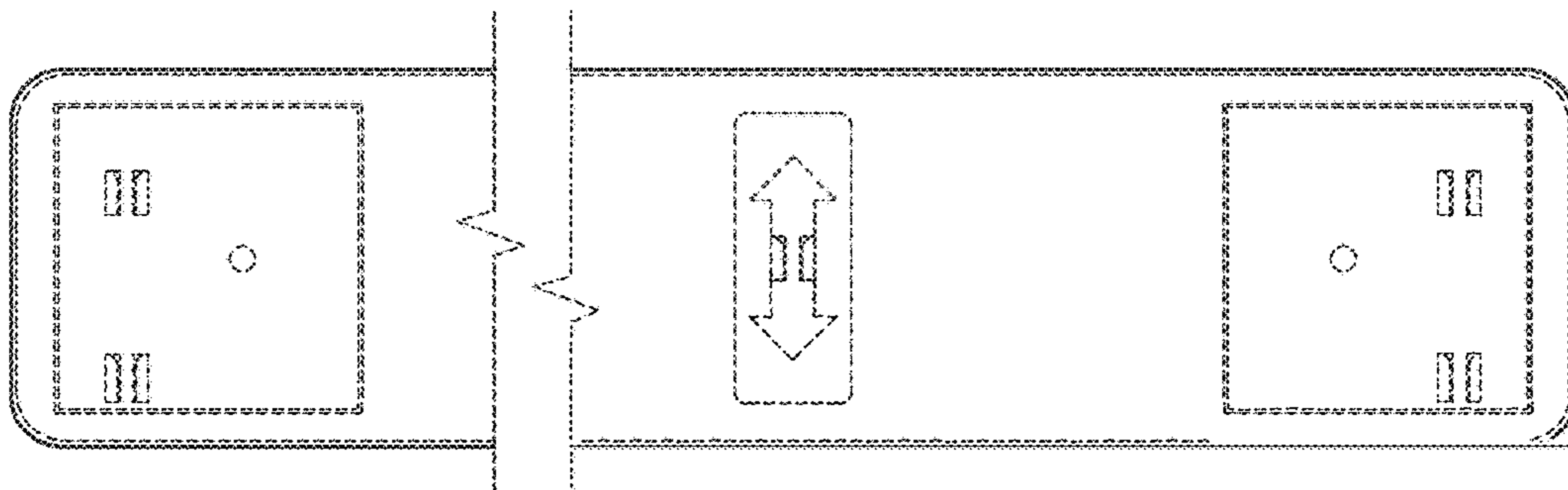


Fig. 17

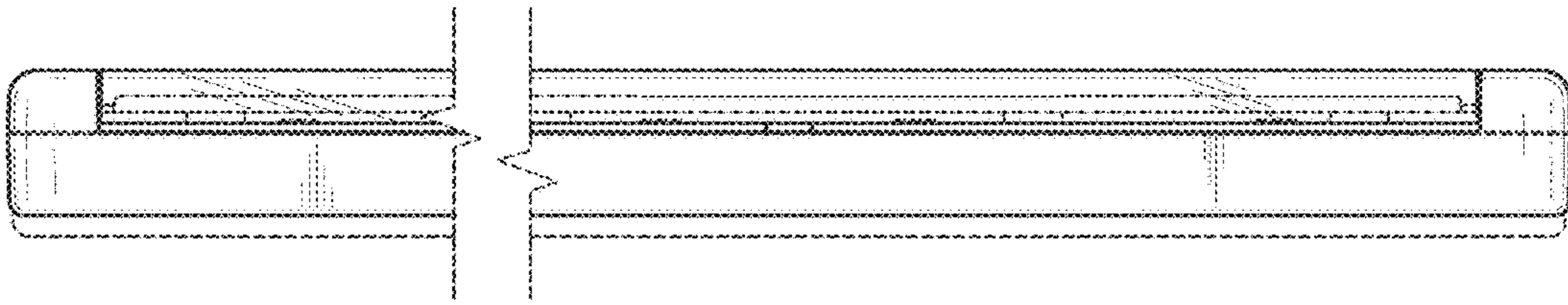


Fig. 18

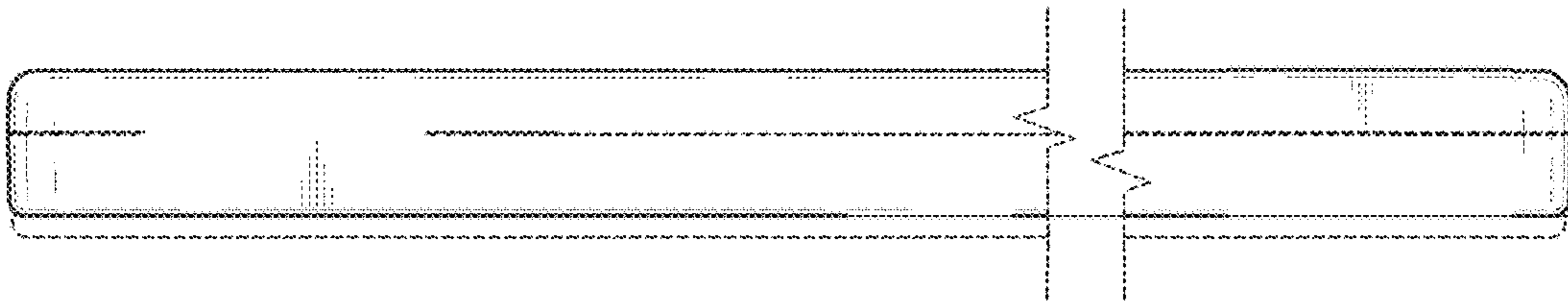


Fig. 19

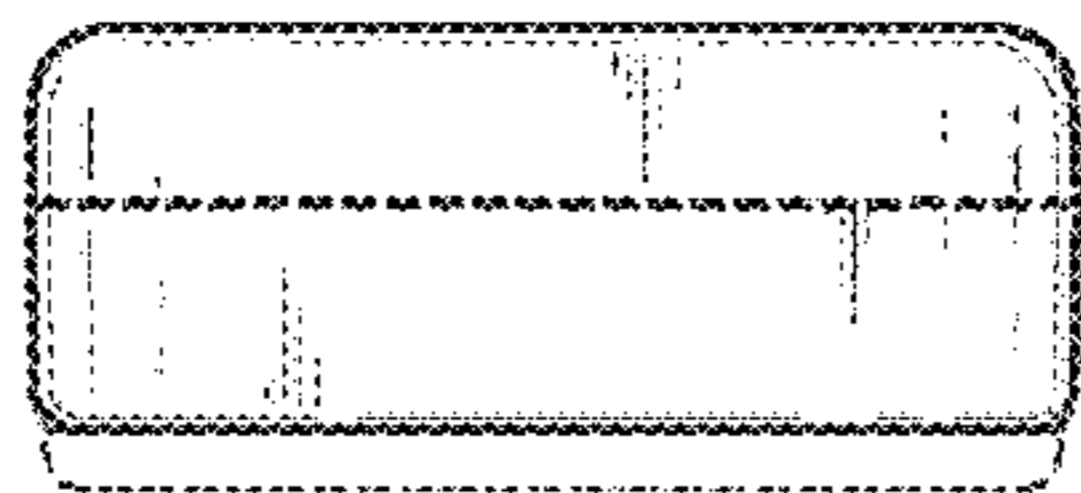


Fig. 20

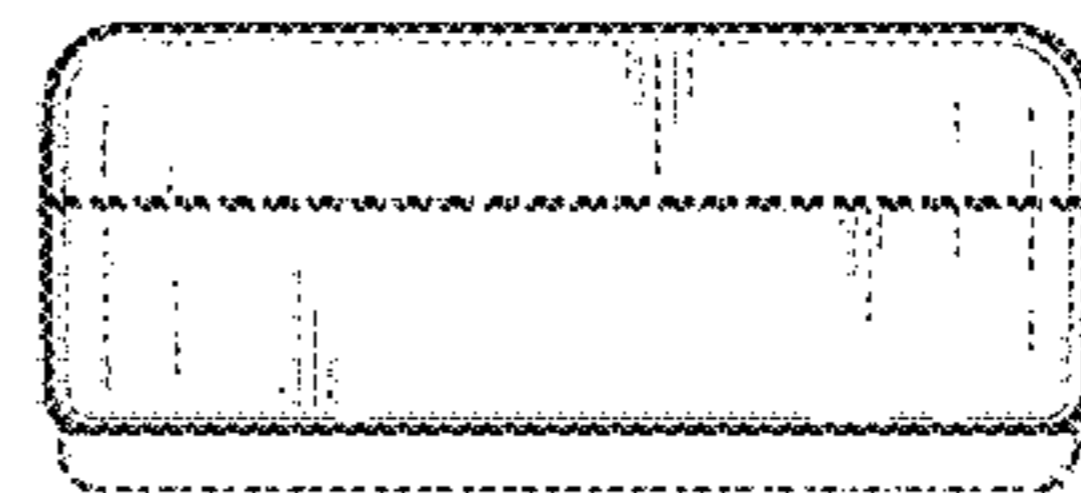


Fig. 21