



US00D851787S

(12) **United States Design Patent**  
**Busl**

(10) **Patent No.:** **US D851,787 S**

(45) **Date of Patent:** **\*\* Jun. 18, 2019**

(54) **BED FRAME**

(71) Applicant: **LOGICDATA Electronic & Software  
Entwicklungs GmbH,  
Deutschlandsberg (AT)**

(72) Inventor: **Florian Busl, Munich (DE)**

(73) Assignee: **LOGICDATA Electronic & Software  
Entwicklungs GmbH,  
Deutschlandsberg (AT)**

(\*\*) Term: **15 Years**

(21) Appl. No.: **29/615,070**

(22) Filed: **Aug. 25, 2017**

(51) **LOC (11) Cl.** ..... **25-01**

(52) **U.S. Cl.**  
USPC ..... **D25/122**

(58) **Field of Classification Search**  
USPC ..... D25/119–126, 164, 199; D6/382, 395,  
D6/718, 718.25

CPC ..... A47C 19/005; A47C 19/02; A47C 19/021;  
A47C 19/024; A47C 19/025; A47C  
19/027; A47C 19/028; A47C 19/04  
See application file for complete search history.

(56) **References Cited**

**U.S. PATENT DOCUMENTS**

D169,441 S \* 4/1953 Huddles ..... D25/123  
D251,451 S \* 3/1979 Toder ..... D25/121  
4,283,892 A \* 8/1981 Brown ..... E04B 2/789  
D25/121  
D268,809 S \* 5/1983 Marontate ..... D25/121  
D290,404 S \* 6/1987 Stoler ..... D25/119

D313,858 S \* 1/1991 Whitney ..... D25/119  
D324,506 S \* 3/1992 Phillips ..... D25/119  
D331,810 S \* 12/1992 Tanikawa ..... D25/120  
D382,652 S \* 8/1997 Colitto ..... D25/122  
D448,862 S \* 10/2001 Kieffer ..... D25/121  
D468,451 S \* 1/2003 Kowalczyk ..... D25/119  
D541,094 S \* 4/2007 Yu ..... D6/580  
D566,299 S \* 4/2008 Mann ..... D25/121  
D595,078 S \* 6/2009 Kollman ..... D6/580  
D595,984 S \* 7/2009 Kollman ..... D6/580  
D611,169 S \* 3/2010 Harder ..... D25/122  
D616,567 S \* 5/2010 Desrosiers ..... D25/122  
D661,412 S \* 6/2012 Kligman ..... D25/136  
D765,882 S \* 9/2016 Deleu ..... D25/122  
D817,519 S \* 5/2018 Ryan ..... D25/119

\* cited by examiner

*Primary Examiner* — Cynthia Ramirez

*Assistant Examiner* — L. Martinez

(74) *Attorney, Agent, or Firm* — Slater Matsil, LLP

(57) **CLAIM**

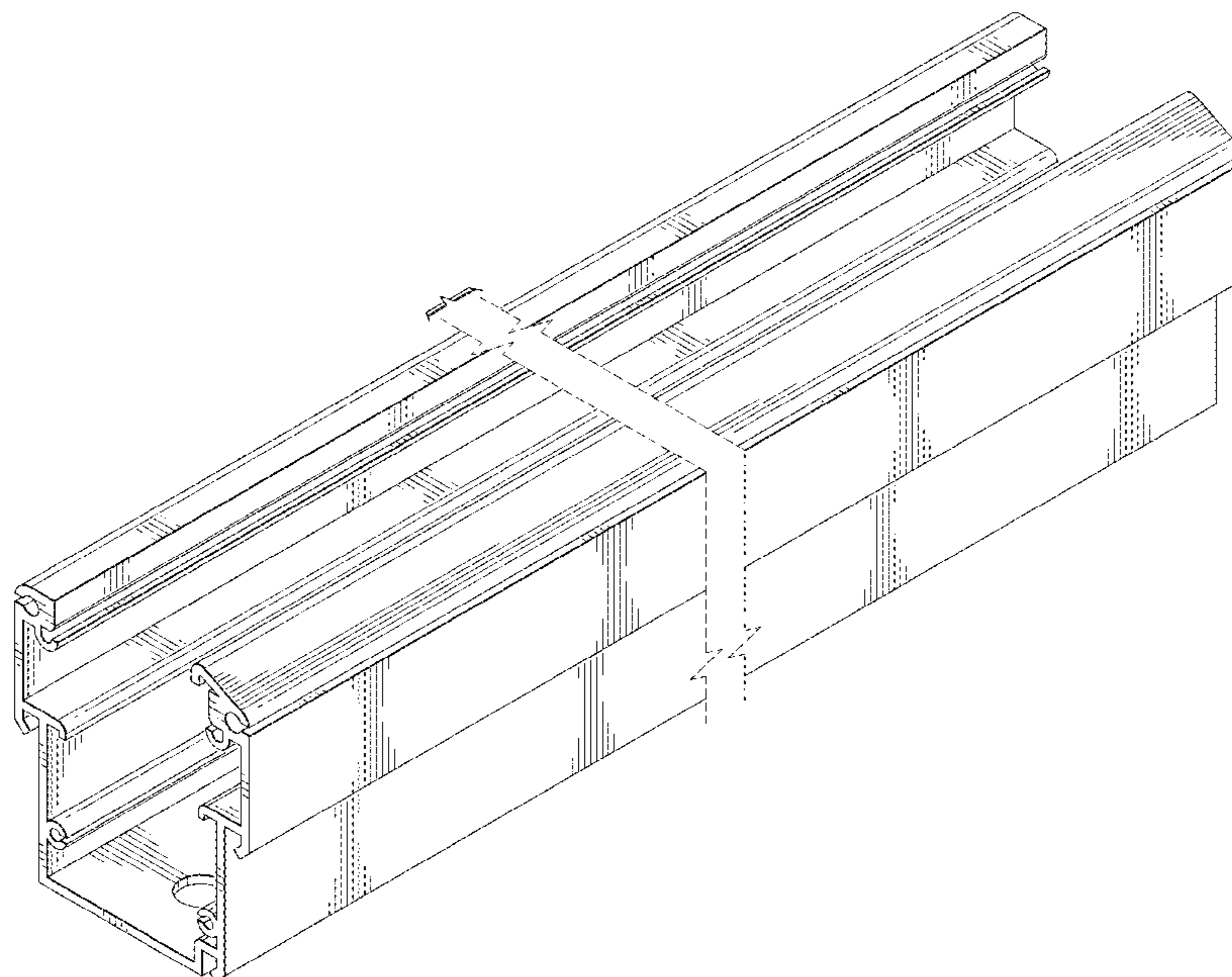
The ornamental design for a bed frame, as shown and described.

**DESCRIPTION**

FIG. 1 is a front perspective view of a bed frame;  
FIG. 2 is a left side view thereof;  
FIG. 3 is a right side view thereof;  
FIG. 4 is a back view thereof;  
FIG. 5 is a front view of an thereof;  
FIG. 6 is a top view thereof; and,  
FIG. 7 is a bottom view thereof.

The bed frame is shown with a symbolic break in its length. The appearance of any portion of the bed frame between the break lines forms no part of the claimed design.

**1 Claim, 5 Drawing Sheets**



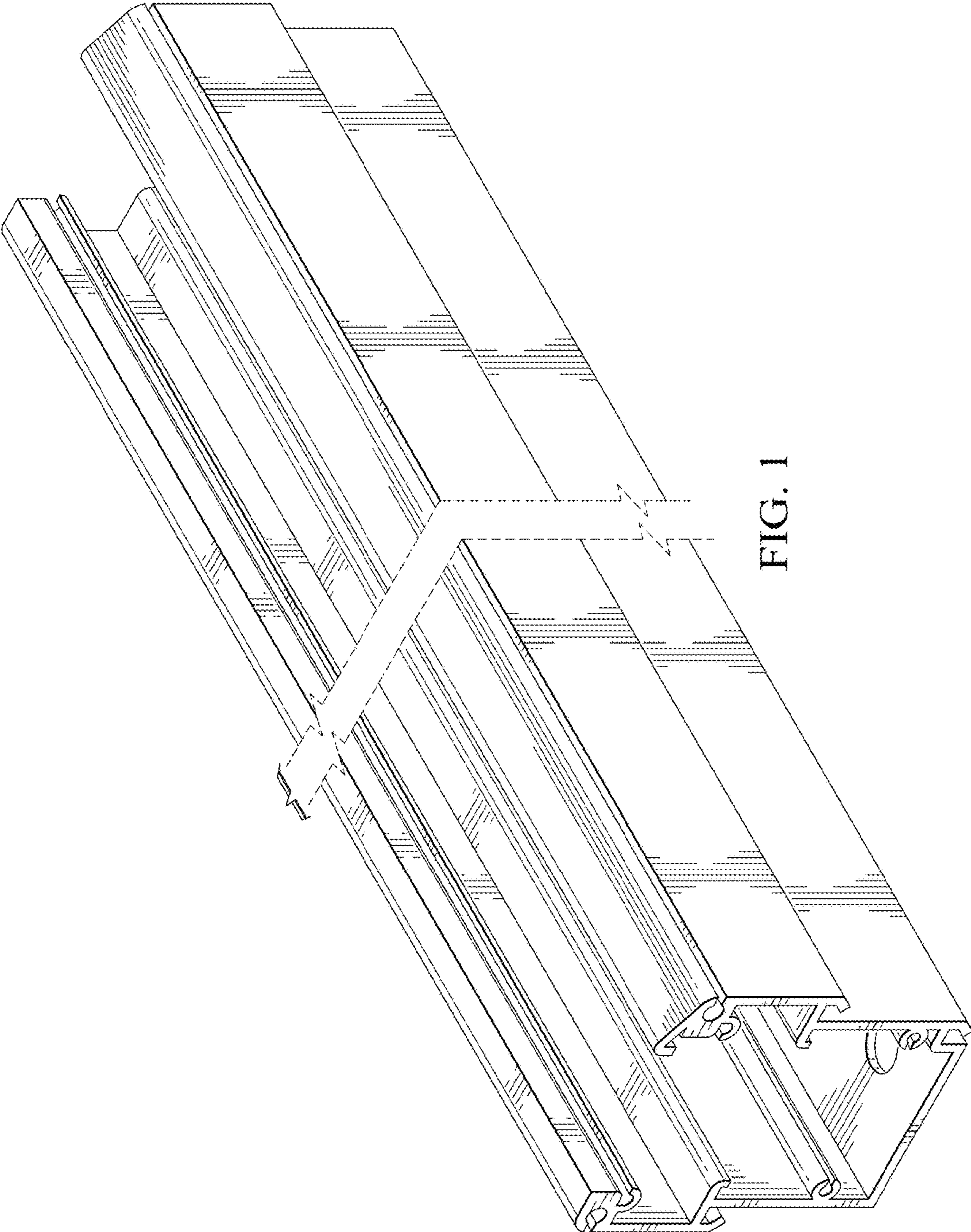


FIG. 1

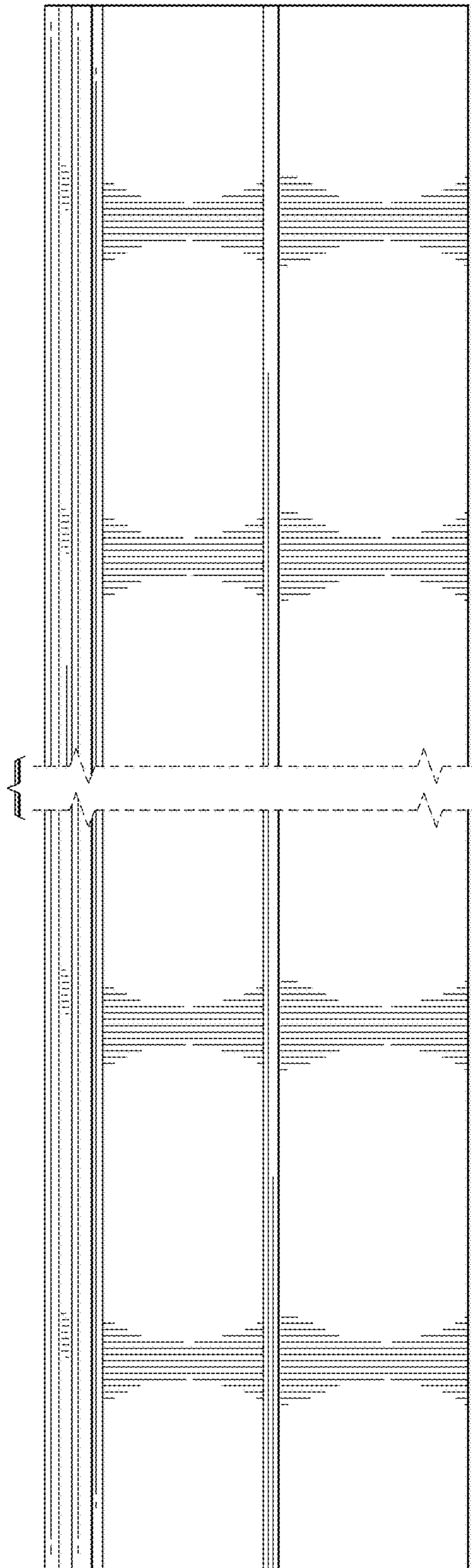


FIG. 2

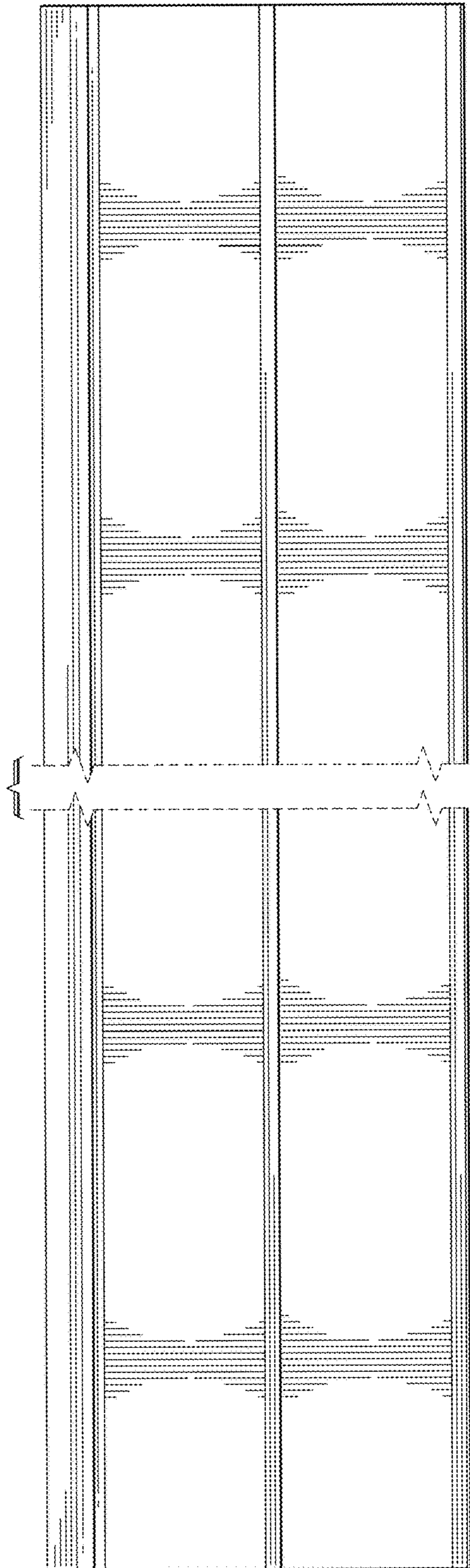


FIG. 3

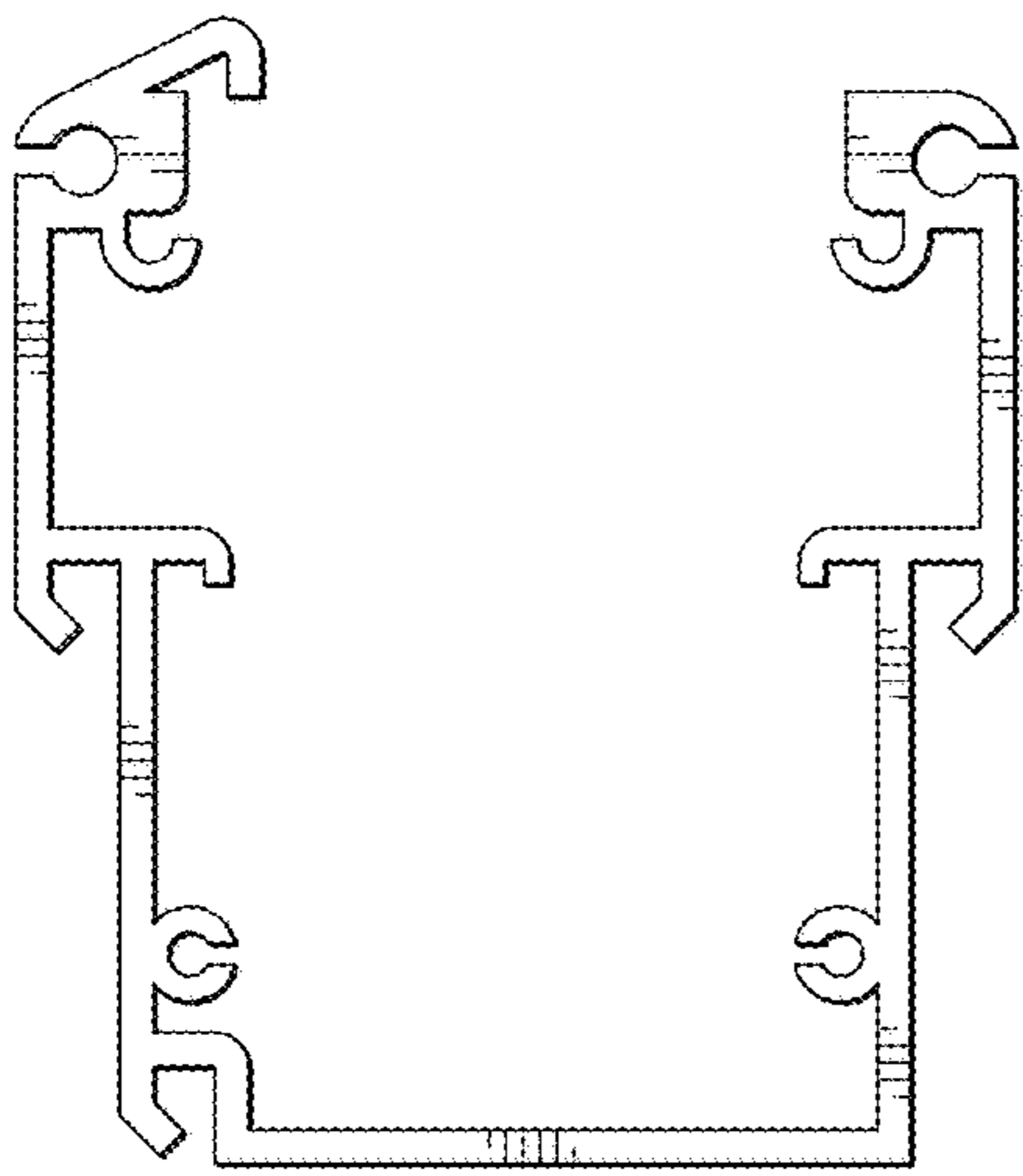


FIG. 4

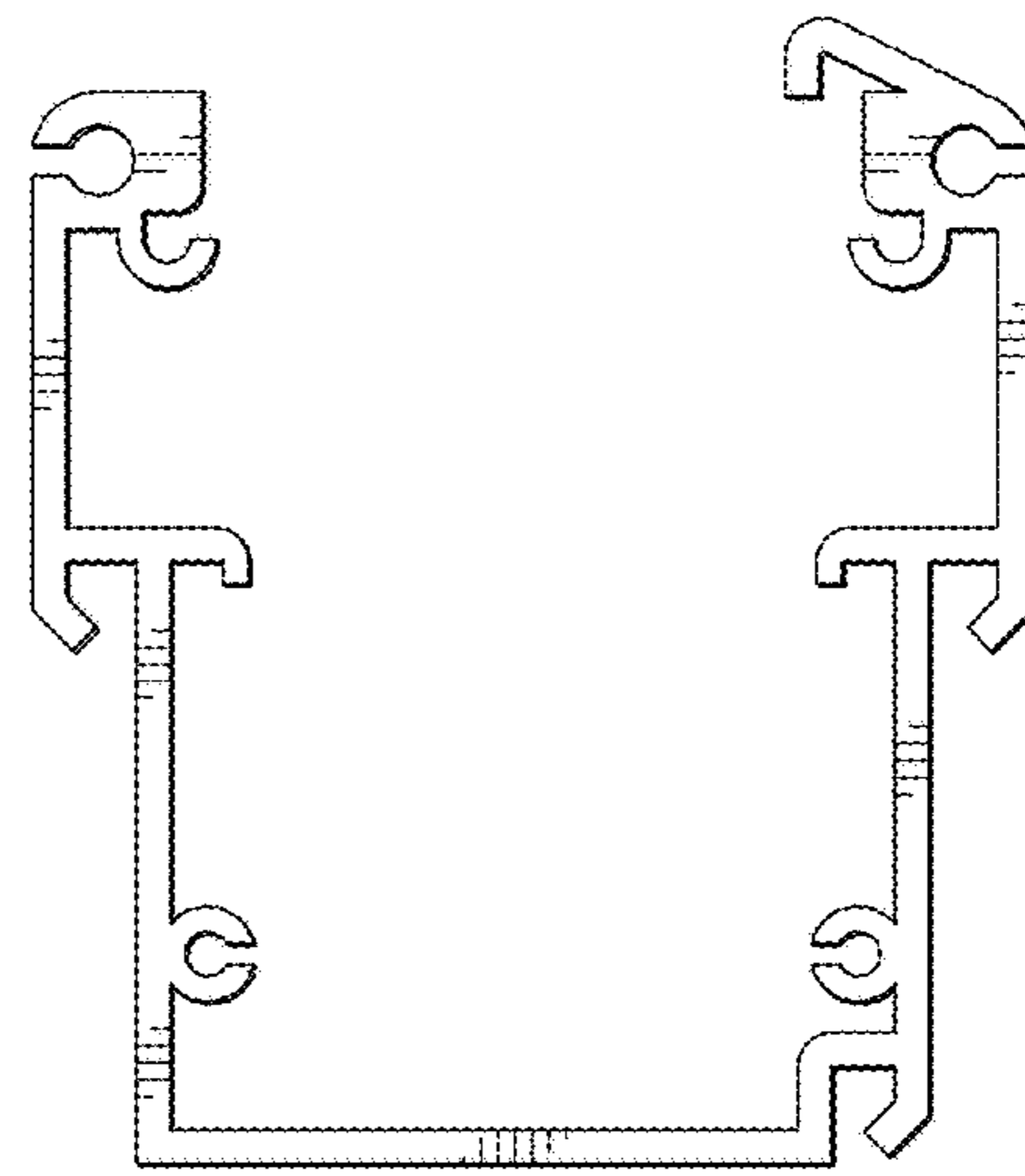


FIG. 5

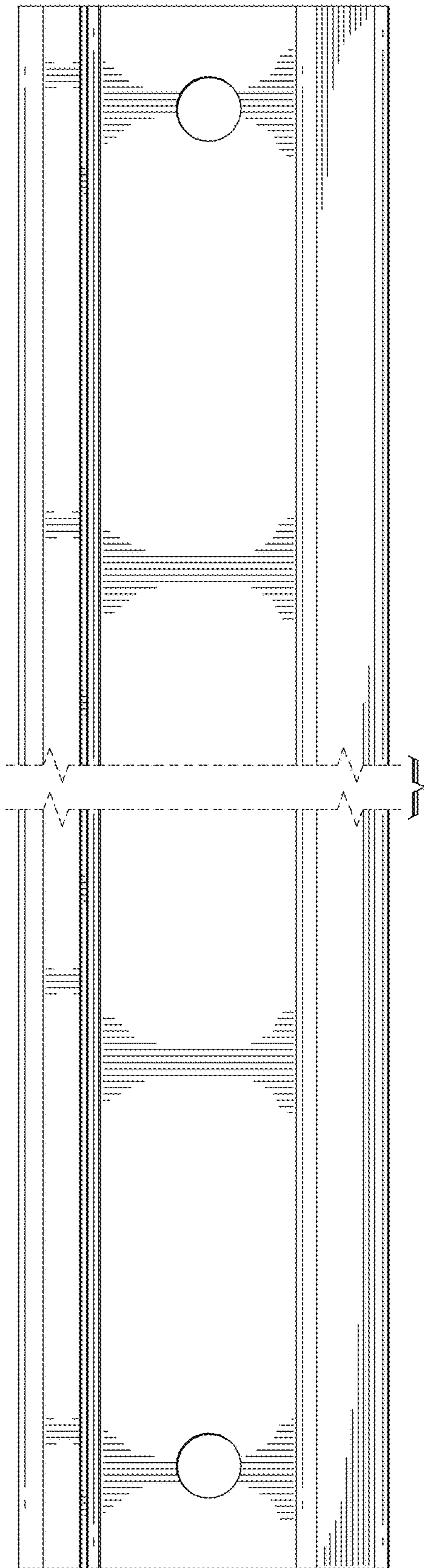


FIG. 6

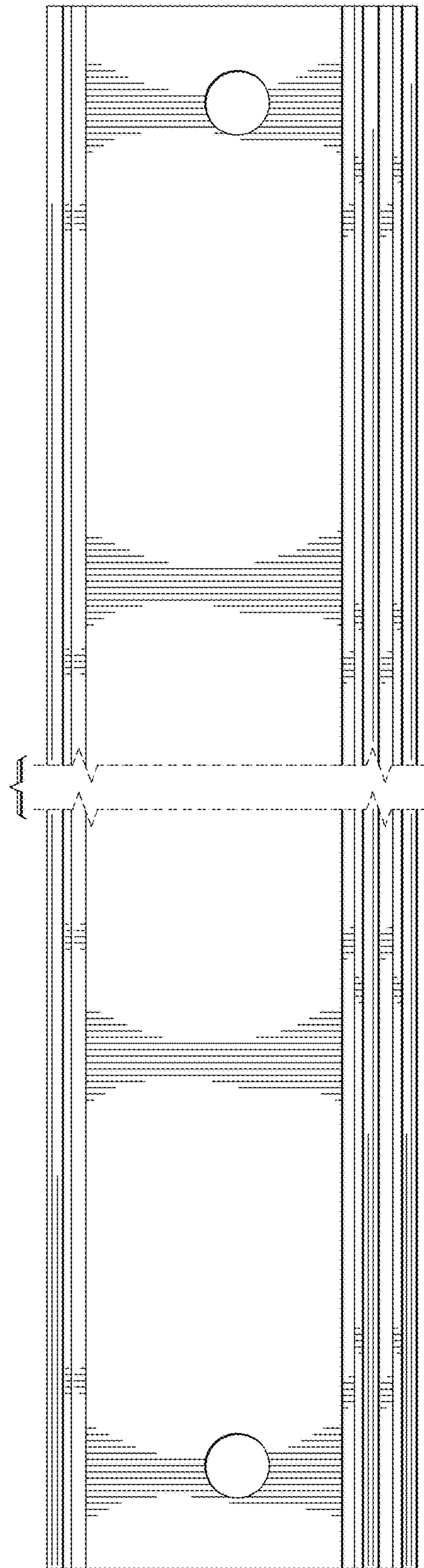


FIG. 7