



US00D851783S

(12) **United States Design Patent**  
**Dintheer et al.**

(10) **Patent No.:** **US D851,783 S**  
(45) **Date of Patent:** **\*\* Jun. 18, 2019**

(54) **SEALING LIP**  
(71) Applicant: **PLANET GDZ AG**, Tagelswangen  
(CH)

D628,165 S \* 11/2010 Perham ..... D13/155  
D670,946 S \* 11/2012 Ng ..... D6/580  
D713,976 S \* 9/2014 Van Camp ..... D25/124  
(Continued)

(72) Inventors: **Andreas Dintheer**, Illnau (CH); **Jochen Schaar**, Dietlikon (CH)

**FOREIGN PATENT DOCUMENTS**

IN 273576-0001 \* 3/2017

(73) Assignee: **PLANET GDZ AG**, Tagelswangen  
(CH)

**OTHER PUBLICATIONS**

<http://planet.ag/en/products/drop-down-seal/holz/planet-mf/> Available Feb. 4, 2015.\*

(\*\*) Term: **15 Years**

(Continued)

(21) Appl. No.: **29/613,026**

(22) Filed: **Aug. 7, 2017**

*Primary Examiner* — Leanne Was-Englehart  
(74) *Attorney, Agent, or Firm* — Browdy and Neimark, P.L.L.C.

**Related U.S. Application Data**

(62) Division of application No. 29/533,189, filed on Jul. 15, 2015, now Pat. No. Des. 815,301.

(57) **CLAIM**

The ornamental design for a sealing lip, as shown and described.

(30) **Foreign Application Priority Data**

Jan. 15, 2015 (WO) ..... DM/085540

(51) **LOC (11) Cl.** ..... **25-02**

(52) **U.S. Cl.**  
USPC ..... **D25/48.3**

(58) **Field of Classification Search**  
USPC ..... D8/382; D25/48.1, 48.2, 48.3, 48.4, D25/48.8, 119, 124, 125  
CPC ... E06B 7/098; E06B 7/18; E06B 7/21; E06B 7/215; E06B 7/36; E06B 7/367; E06B 3/88; E06B 2003/7044; E05C 19/028; E05C 1/085; E04B 1/68; E04B 7/18; E04B 7/22

See application file for complete search history.

**DESCRIPTION**

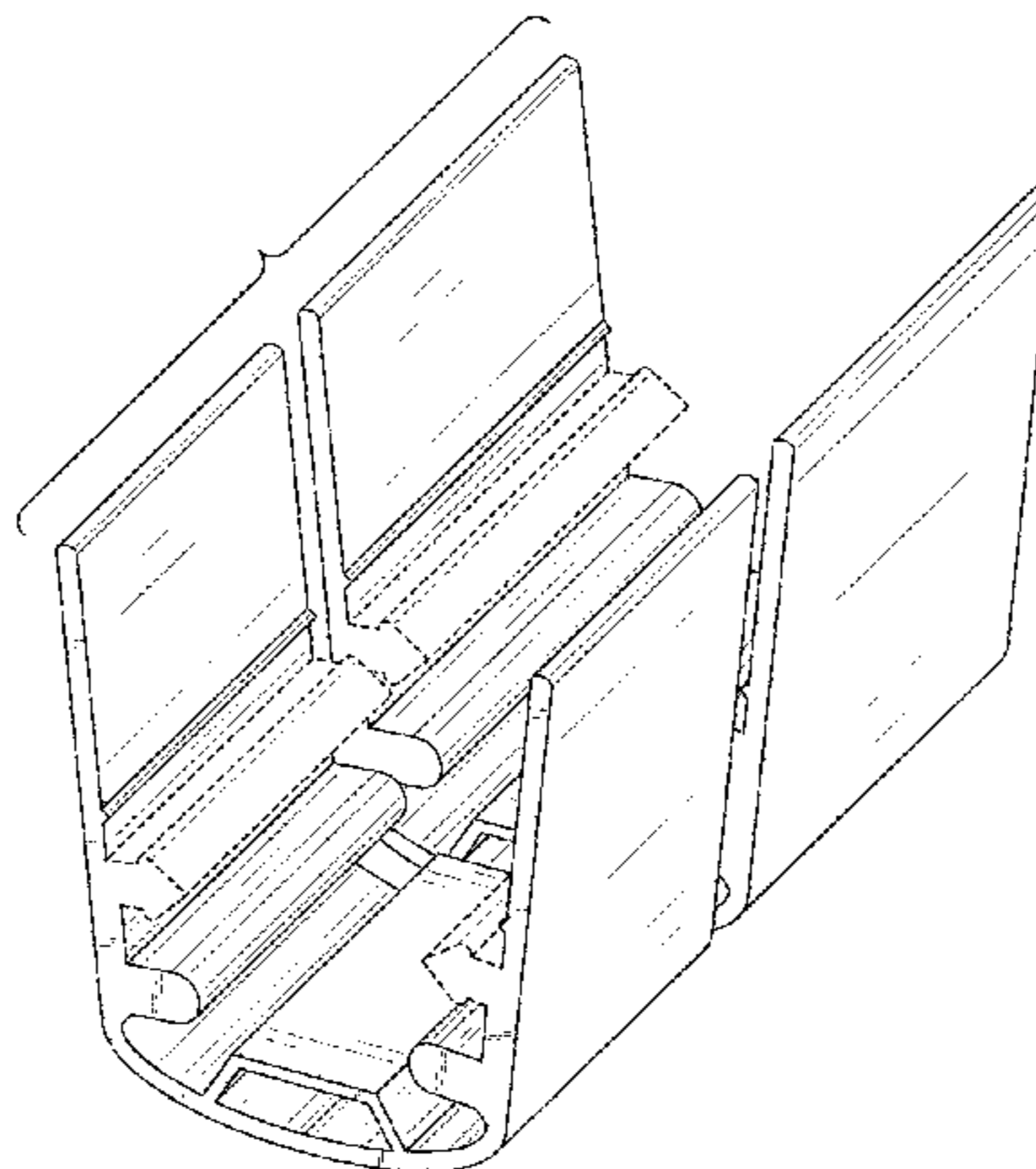
FIG. 1 is a front view of a sealing lip according to the present design;  
FIG. 2 is a perspective view of a sealing lip according to the present design;  
FIG. 3 is a further perspective view of a sealing lip according to the present design; and,  
FIG. 4 is a rear view of a sealing lip within a housing according to the present design.  
A sealing lip is shown, which is a part of a drop-down seal for a window or door.  
The broken lines in FIGS. 1-3 depict portions of the article that form no part of the claimed design.  
The additional components in broken lines shown in FIG. 4 illustrate a housing of the drop-down seal that forms no part of the claimed design.  
The drawings contain a symbolic break. The portion between the break lines form no part of the claimed design.

(56) **References Cited**

**U.S. PATENT DOCUMENTS**

D479,798 S \* 9/2003 Wall ..... D25/119  
D479,983 S \* 9/2003 Wall ..... D25/119

**1 Claim, 4 Drawing Sheets**



(56)

**References Cited**

U.S. PATENT DOCUMENTS

D745,189 S \* 12/2015 Stoesser ..... D25/125  
D755,409 S \* 5/2016 Hamilton ..... D25/121  
D762,462 S \* 8/2016 Anderson ..... D25/121  
D769,034 S \* 10/2016 Lawson ..... D6/681.1  
D770,643 S \* 11/2016 Shargani ..... D25/119  
D815,301 S \* 4/2018 Dintheer ..... D25/48.3  
2004/0111972 A1 \* 6/2004 Dintheer ..... E06B 7/215  
49/470  
2015/0121759 A1 \* 5/2015 Dintheer ..... E06B 7/02  
49/70  
2015/0211288 A1 \* 7/2015 Dintheer ..... E06B 7/215  
49/310  
2016/0298367 A1 \* 10/2016 Dintheer ..... E05C 7/06  
2017/0107755 A1 \* 4/2017 Dintheer ..... E06B 7/21  
2018/0002976 A1 \* 1/2018 Dintheer ..... E06B 7/18  
2018/0274287 A1 \* 9/2018 Dintheer ..... E06B 7/367

OTHER PUBLICATIONS

<http://planet.ag/en/products/drop-down-seal/holz/planet-mf/> Feb. 4,  
2015 (Year: 2015).\*  
[http://www.gmsglass.com/images/file00002527\\_5.pdf](http://www.gmsglass.com/images/file00002527_5.pdf) Aug. 8, 2014  
(Year: 2014).\*

\* cited by examiner

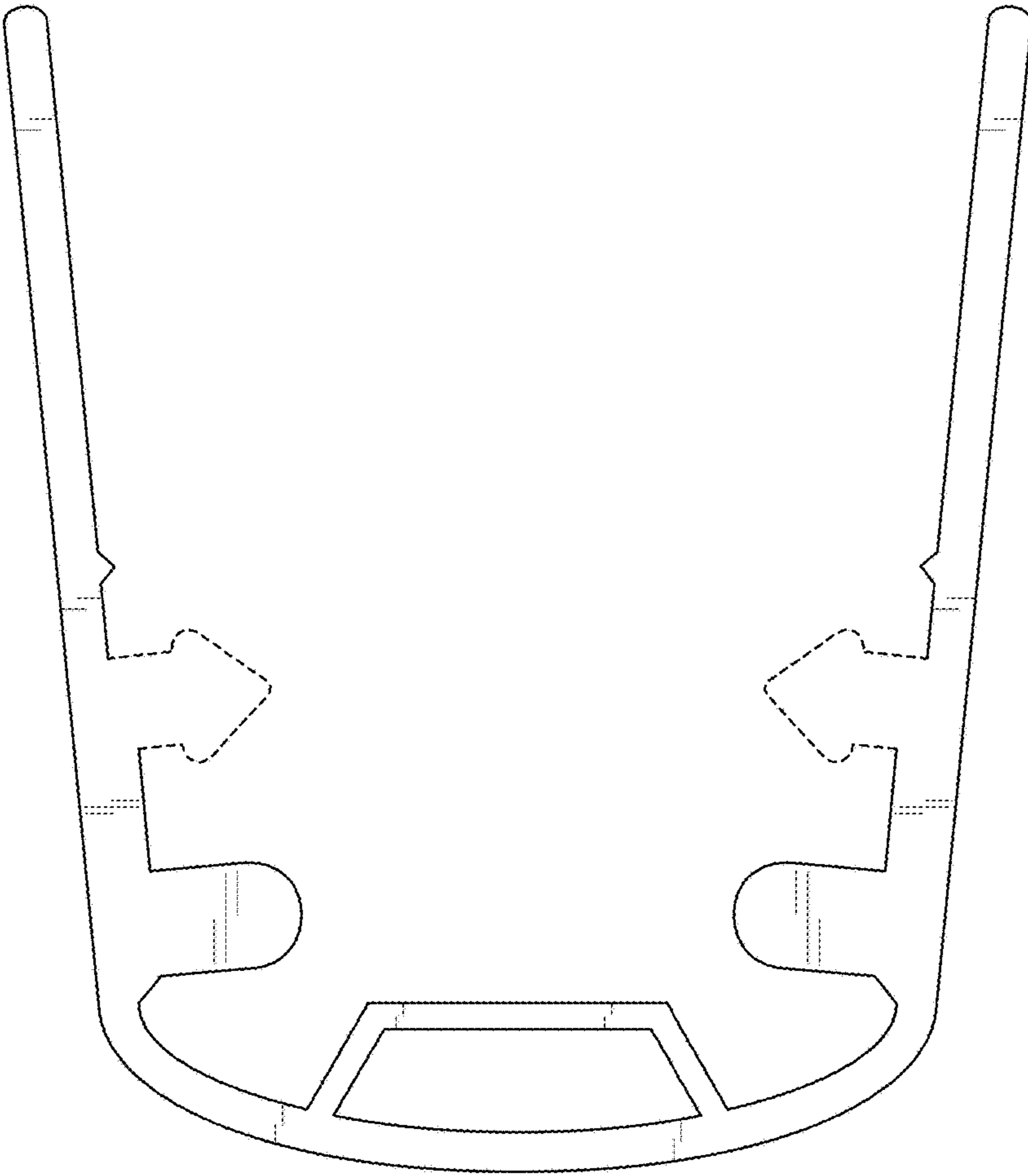


FIG. 1

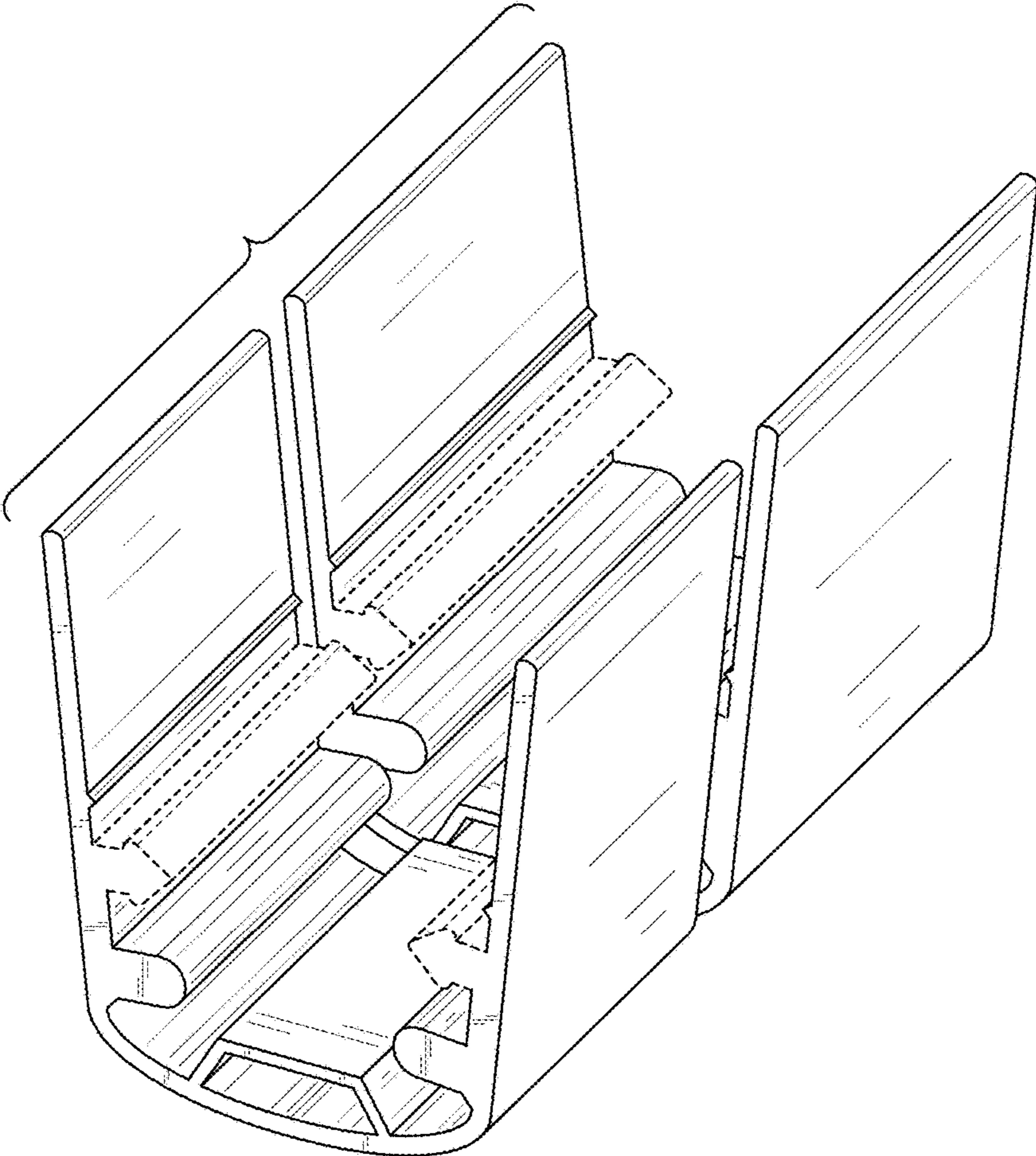


FIG. 2

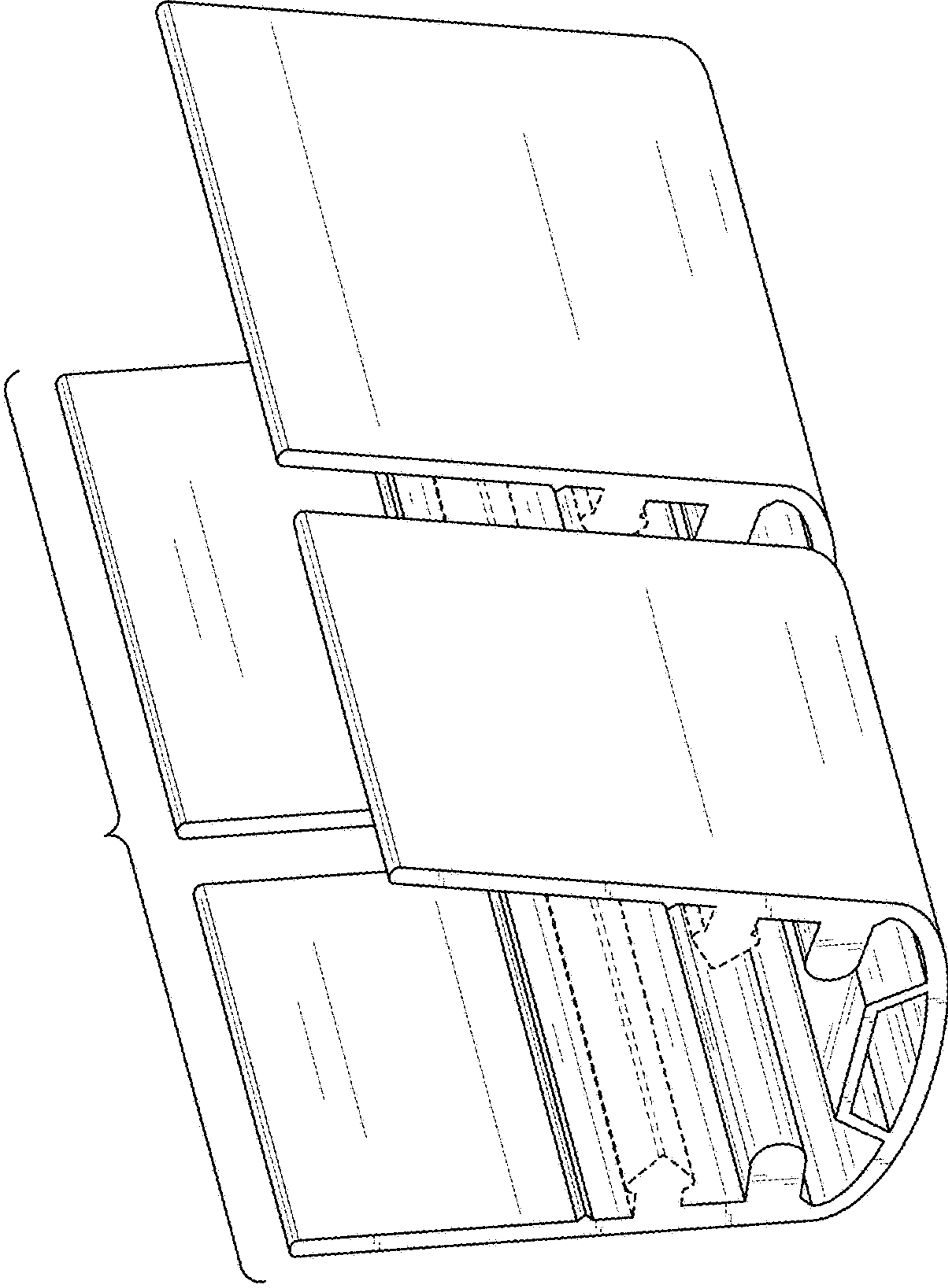


FIG. 3

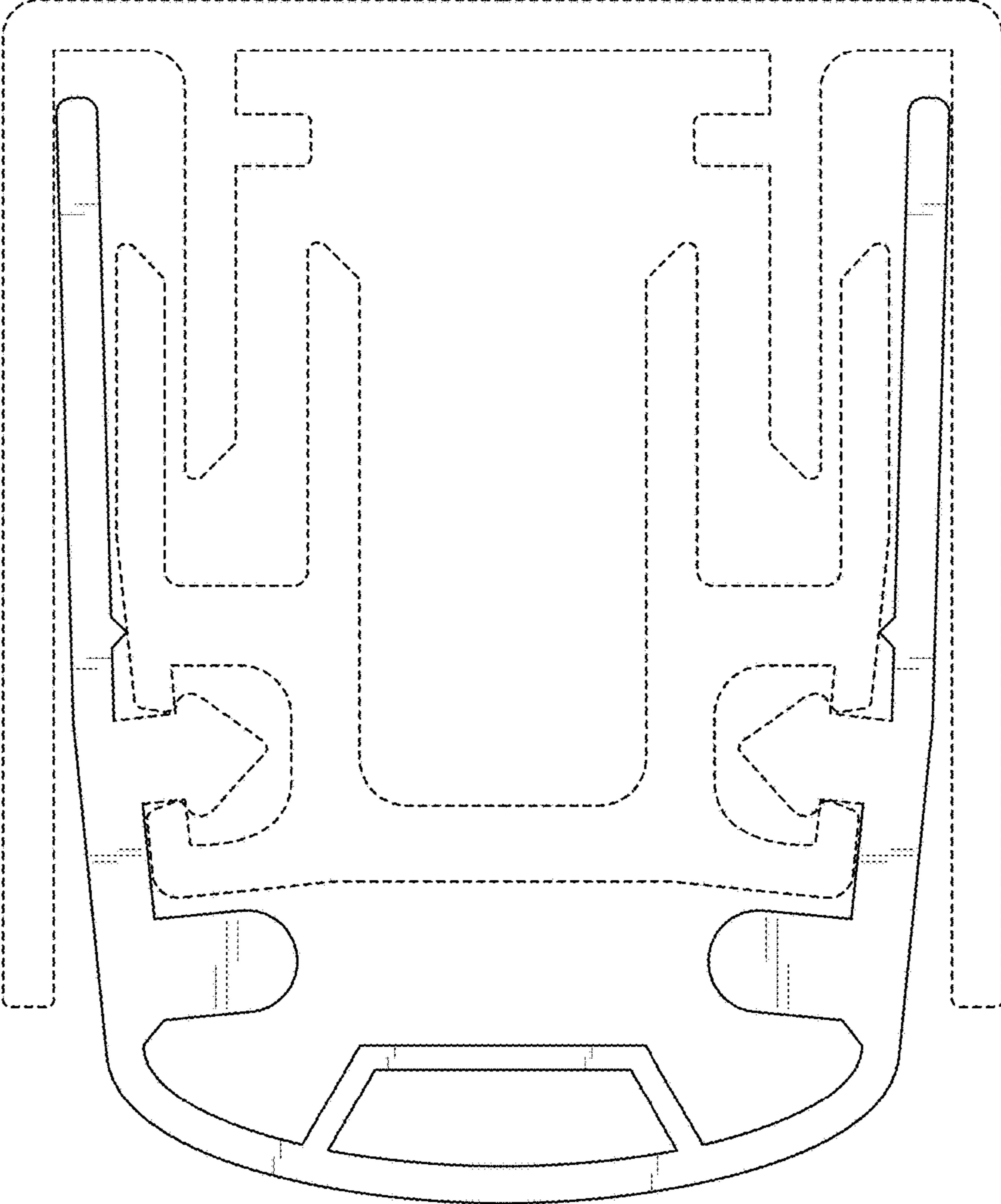


FIG. 4