



US00D851782S

(12) **United States Design Patent**
Mann

(10) **Patent No.:** **US D851,782 S**
(45) **Date of Patent:** **** Jun. 18, 2019**

- (54) **FENCE PLINTH**
- (71) Applicant: **GRAM ENGINEERING PTY LTD,**
Smithfield, NSW (AU)
- (72) Inventor: **Ronald Leslie Mann,** Smithfield (AU)
- (73) Assignee: **GRAM ENGINEERING PTY LTD.,**
Smithfield, New South Wales (AU)
- (**) Term: **15 Years**
- (21) Appl. No.: **29/638,531**
- (22) Filed: **Feb. 27, 2018**

- 3,606,718 A * 9/1971 Curran E04C 2/322
52/542
 - D233,768 S * 11/1974 Wilder D25/144
 - 3,968,603 A * 7/1976 Merson E04B 1/08
52/86
 - D248,571 S * 7/1978 Herbst D25/38.1
 - 4,312,166 A * 1/1982 Mock E04C 2/20
249/112
 - D286,433 S * 10/1986 Greco D25/125
 - 4,736,566 A * 4/1988 Krotsch E04C 2/26
52/674
 - 4,964,618 A * 10/1990 Kennedy E01F 8/007
256/24
 - D380,281 S * 6/1997 Menz D25/121
- (Continued)

(30) **Foreign Application Priority Data**

Aug. 31, 2017 (AU) 201715194
 Aug. 31, 2017 (AU) 201715196

(51) **LOC (11) Cl.** **25-01**

(52) **U.S. Cl.**
USPC **D25/38.1; D25/141**

(58) **Field of Classification Search**
 USPC D25/38.1, 39, 42, 58, 61, 136, 138, 139,
 D25/141, 143, 144, 157-164, 199
 CPC . E04H 17/165; E04H 17/168; E04H 17/1413;
 E04H 2017/1452; E04H 2017/1465; E01F
 8/0017; E01F 8/0035; E04C 2/322
 See application file for complete search history.

(56) **References Cited**

U.S. PATENT DOCUMENTS

- D195,515 S * 6/1963 Case D25/42
- D195,516 S * 6/1963 Case D25/42
- D198,504 S * 6/1964 Case D25/42
- 3,150,465 A * 9/1964 Johnson E04D 3/30
52/537
- 3,421,279 A * 1/1969 Franc B21D 13/045
428/599
- D216,836 S * 3/1970 Faulkner et al. D25/123

OTHER PUBLICATIONS

<http://www.gram.com.au/steelplinth/steelplinth/> Nov. 2013 (Year: 2013).*

Primary Examiner — Leanne Was-Englehart
 (74) *Attorney, Agent, or Firm* — Lewis Roca Rothgerber
 Christie LLP

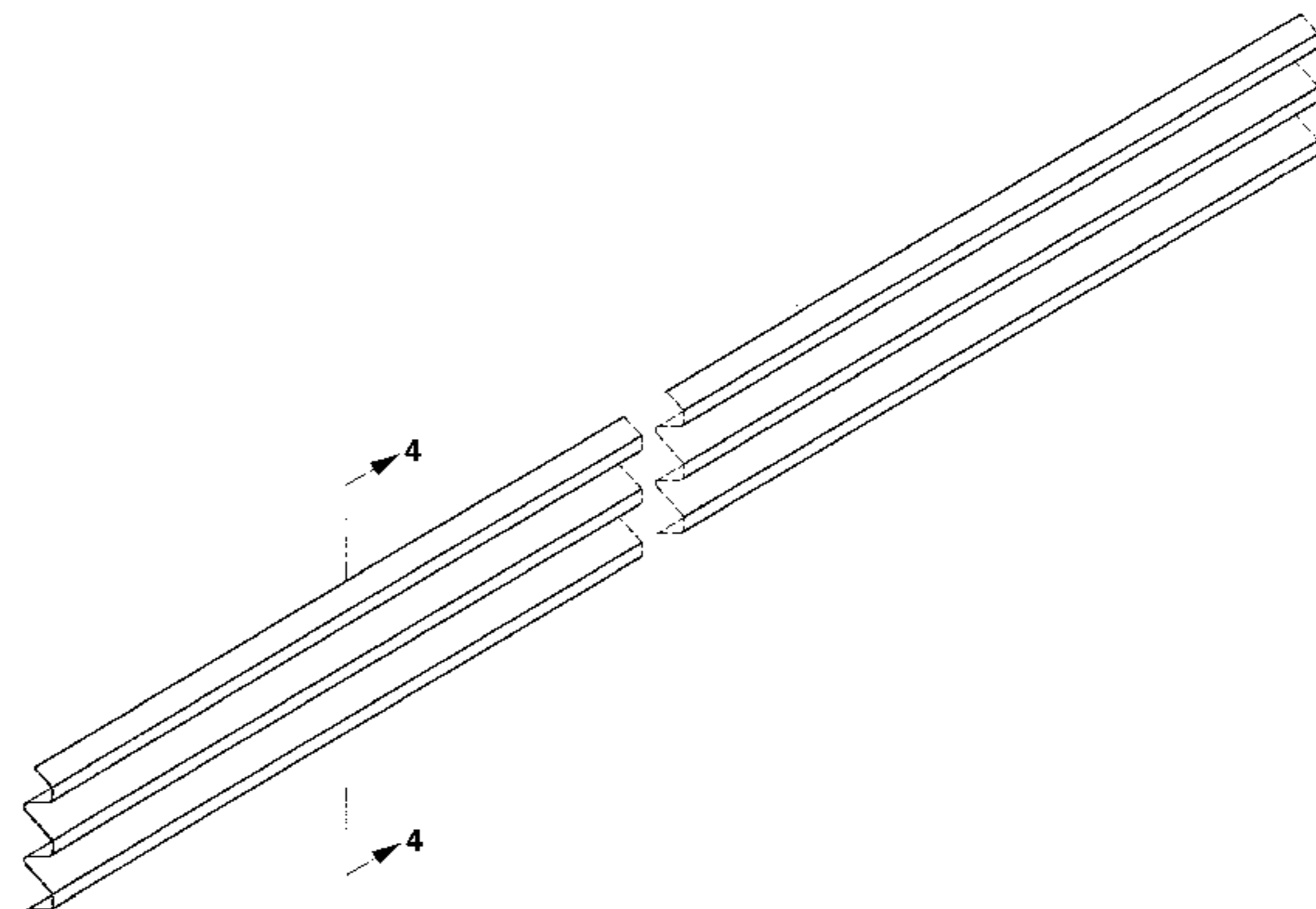
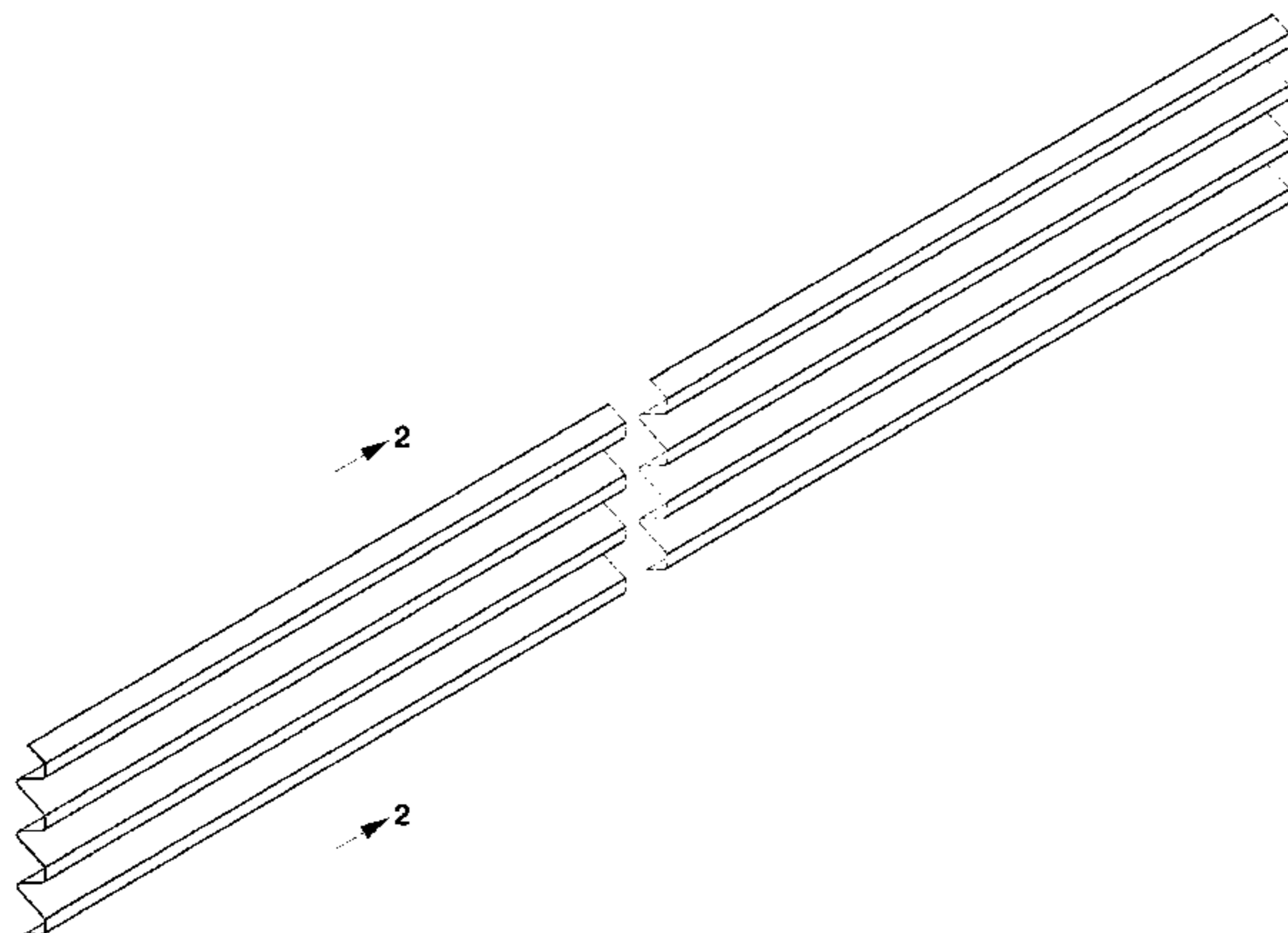
(57) **CLAIM**

The ornamental design for a fence plinth, as shown and described.

DESCRIPTION

FIG. 1 is a perspective view of a fence plinth showing my new design according to a first embodiment;
 FIG. 2 is a cross-sectional view of the first embodiment taken along line 2-2 of FIG. 1;
 FIG. 3 is a perspective view of a fence plinth showing my new design according to a second embodiment; and,
 FIG. 4 is a cross-sectional view of the second embodiment taken along line 4-4 of FIG. 3.
 The drawings contain a symbolic break. The portion between the break lines forms no part of the claimed design.

1 Claim, 4 Drawing Sheets



(56)

References Cited

U.S. PATENT DOCUMENTS

D426,321 S *	6/2000	Lockwood	D25/138
6,523,807 B2 *	2/2003	Calverley	E01F 8/0017 256/21
D667,963 S *	9/2012	Griffiths	D25/125
D707,856 S *	6/2014	Cochrane	D25/122
D734,501 S *	7/2015	Bodwell	D25/119
D747,814 S *	1/2016	Diehl	D25/38.1
D781,461 S *	3/2017	Thrush	D25/121
2014/0124722 A1 *	5/2014	Mann	E04H 17/165 256/21

* cited by examiner

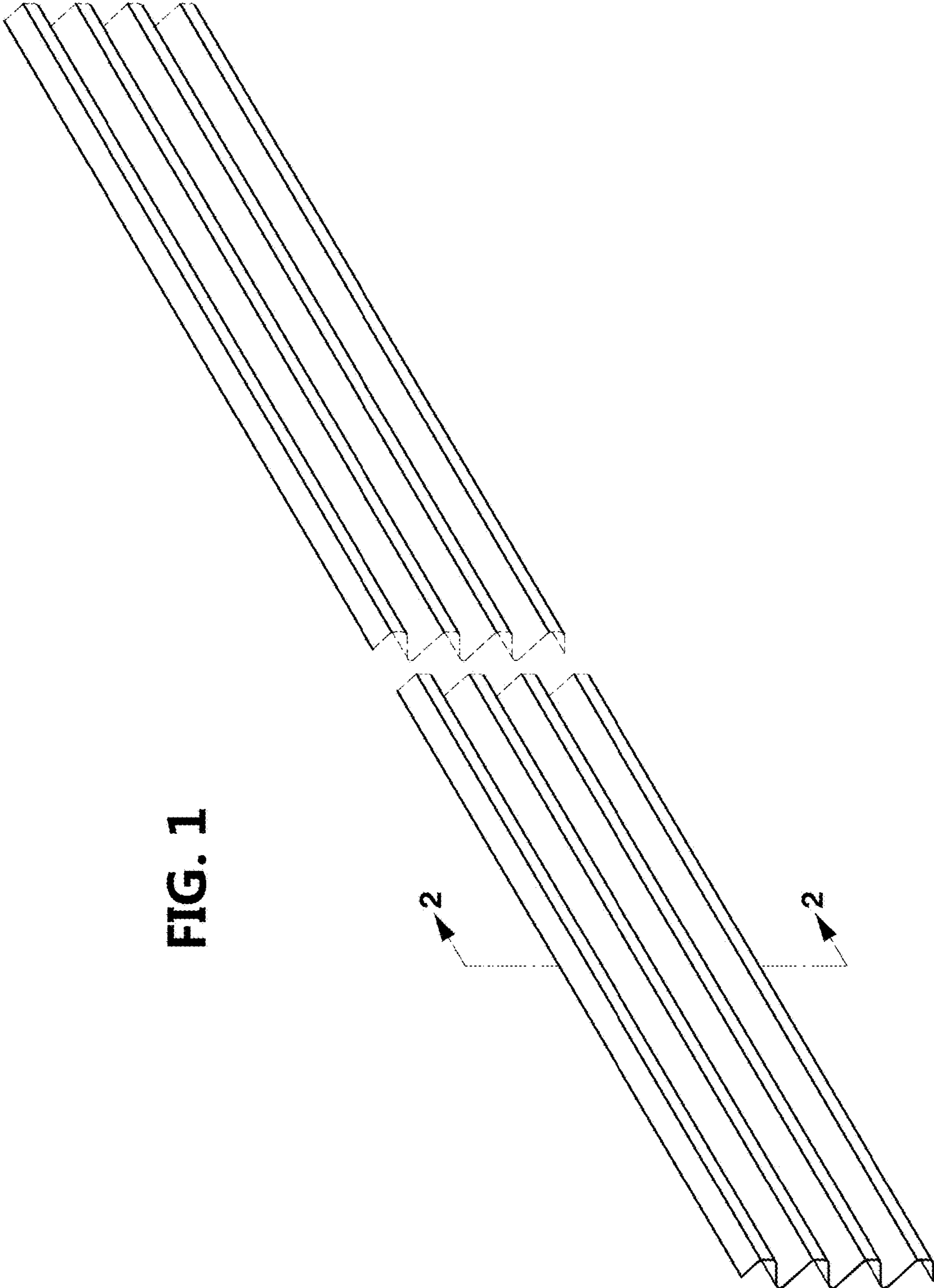


FIG. 1

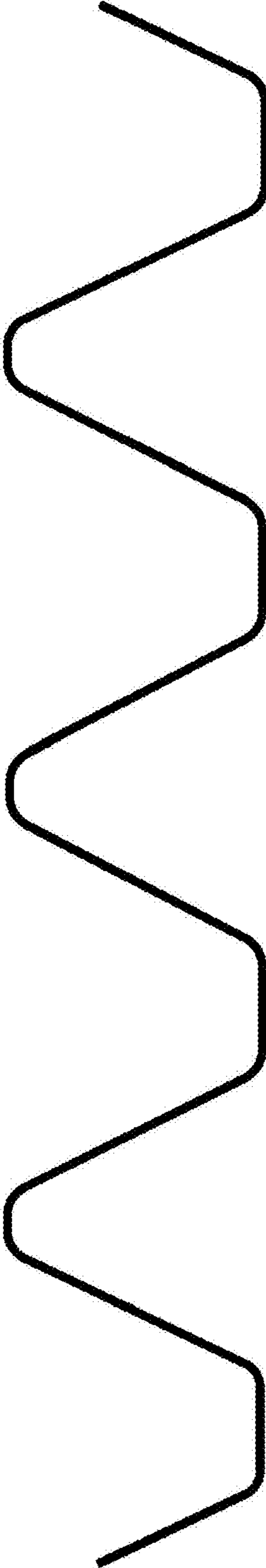


FIG. 2

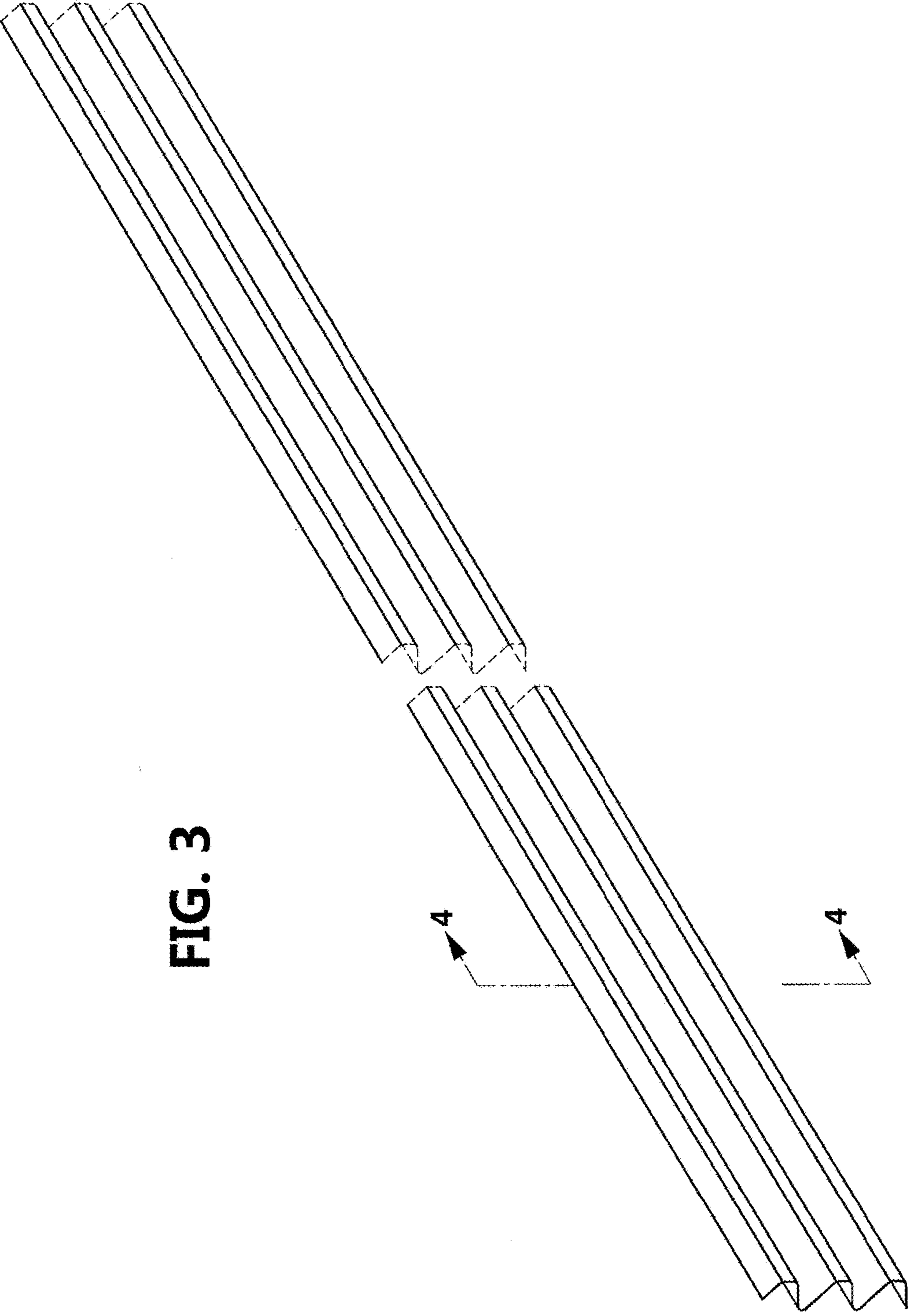


FIG. 3

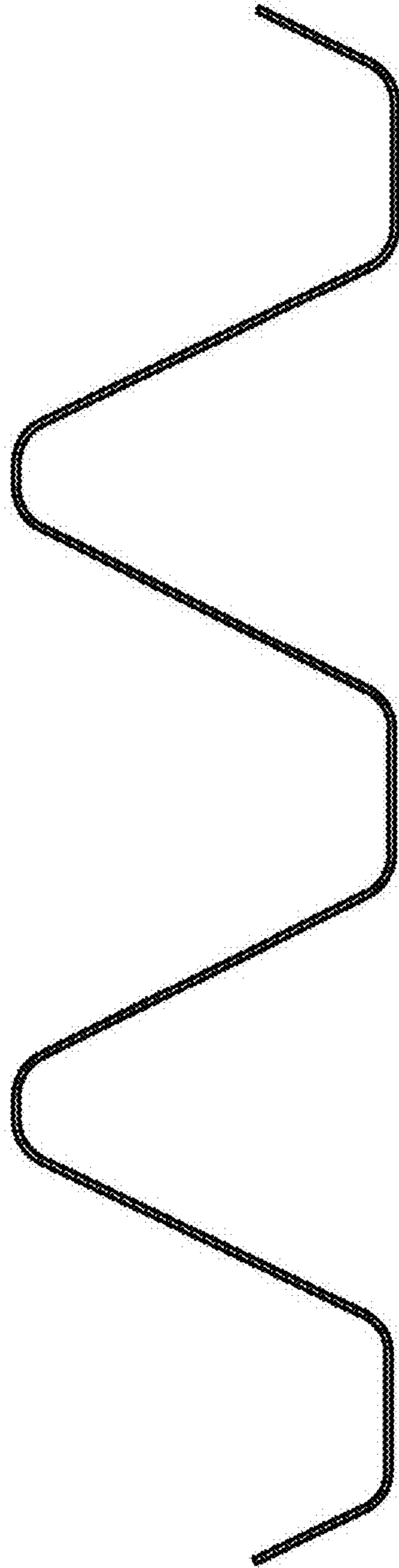


FIG. 4