



US00D851781S

(12) **United States Design Patent**
Khamis et al.

(10) **Patent No.:** **US D851,781 S**

(45) **Date of Patent:** **** Jun. 18, 2019**

(54) **SWIMMING POOL BODY WITH TANNING LEDGE**

(71) Applicant: **Thursday Pools**, Fortville, IN (US)

(72) Inventors: **William Khamis**, Fortville, IN (US);
Edward Vondell, Fishers, IN (US);
David Camp, Wilkinson, IN (US)

(**) Term: **15 Years**

(21) Appl. No.: **29/624,335**

(22) Filed: **Oct. 31, 2017**

(51) **LOC (11) Cl.** **25-03**

(52) **U.S. Cl.**
USPC **D25/2**

(58) **Field of Classification Search**
USPC D25/2; D21/815; D24/201-205;
D23/277-280.3, 201-202; D30/101
CPC E04H 2001/1283; E04H 4/00; E04H
4/0018-0062; E04H 4/10-108; E04H
4/14-142; A61H 33/02; A61H 33/0087;
A61H 33/60
See application file for complete search history.

(56) **References Cited**

U.S. PATENT DOCUMENTS

D275,608	S	*	9/1984	Sullivan	D25/2
D509,903	S	*	9/2005	Sullivan	D25/2
D660,442	S	*	5/2012	Sullivan	D24/201
D791,966	S	*	7/2017	Pain	D25/2
D794,824	S	*	8/2017	Pain	D25/2
D800,341	S	*	10/2017	Pain	D25/2
D800,919	S	*	10/2017	Pain	D25/2
2015/0089732	A1	*	4/2015	Khamis	E04H 4/0037 4/506

OTHER PUBLICATIONS

Trilogy Pools, 2017, <http://vernonpoolman.com/wp-content/uploads/2017/05/tp-brochure.pdf> (Year: 2017).*

(Continued)

Primary Examiner — Brett Miller

(74) *Attorney, Agent, or Firm* — C. John Brannon;
Brannons Sowers & Cracraft PC

(57) **CLAIM**

The ornamental design for a swimming pool body with tanning ledge, as shown and described.

DESCRIPTION

FIG. 1 is a first top perspective view of a swimming pool body with tanning ledge showing my new design.

FIG. 2 is a second top perspective view of the embodiment of the swimming pool body with tanning ledge of FIG. 1.

FIG. 3 is a first bottom perspective view of the embodiment of the swimming pool body with tanning ledge of FIG. 1.

FIG. 4 is a second bottom perspective view of the embodiment of the swimming pool body with tanning ledge of FIG. 1.

FIG. 5 is a front end elevation view of the of the embodiment of the swimming pool body with tanning ledge of FIG. 1.

FIG. 6 is a rear end elevation view of the of the embodiment of the swimming pool body with tanning ledge of FIG. 1.

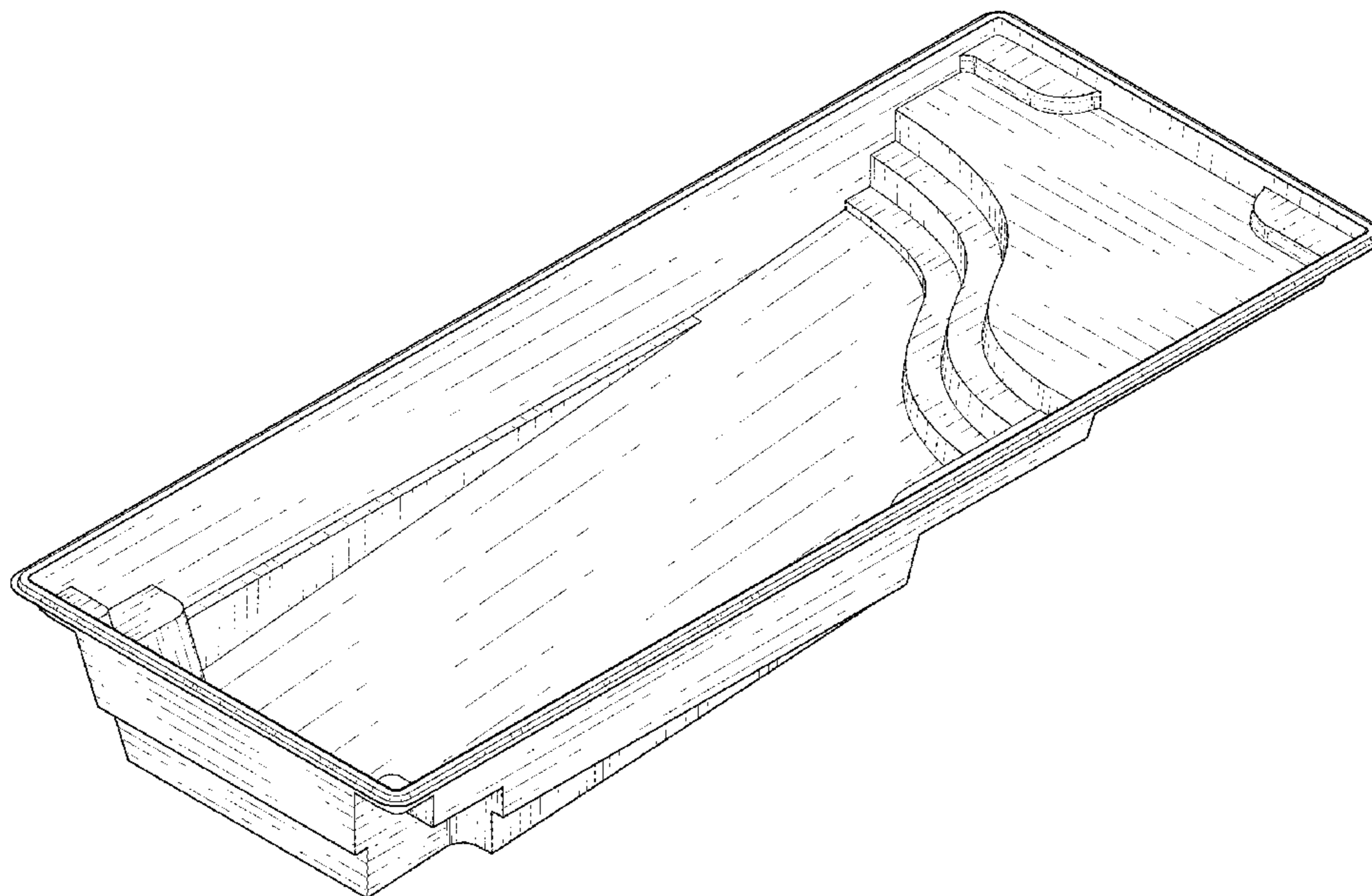
FIG. 7 is a bottom plan view of the embodiment of the swimming pool body with tanning ledge of FIG. 1.

FIG. 8 is a top plan view of the embodiment of the swimming pool body with tanning ledge of FIG. 1.

FIG. 9 is a right side elevation view of the embodiment of the swimming pool body with tanning ledge of FIG. 1; and,

FIG. 10 is a left side elevation view of the embodiment of the swimming pool body with tanning ledge of FIG. 1.

1 Claim, 7 Drawing Sheets



(56)

References Cited

OTHER PUBLICATIONS

Blue Hawaiian Fiberglass Pools, 2019, <https://www.bluehawaiianfiberglasspools.com/literature/brochures/blue-hawaiian-fiberglass-pools-brochure.pdf> (Year: 2017).*

Viking Pools, Apr. 4, 2017, https://lathampool.com/literature/VP_Catalog.pdf (Year: 2017).*

* cited by examiner

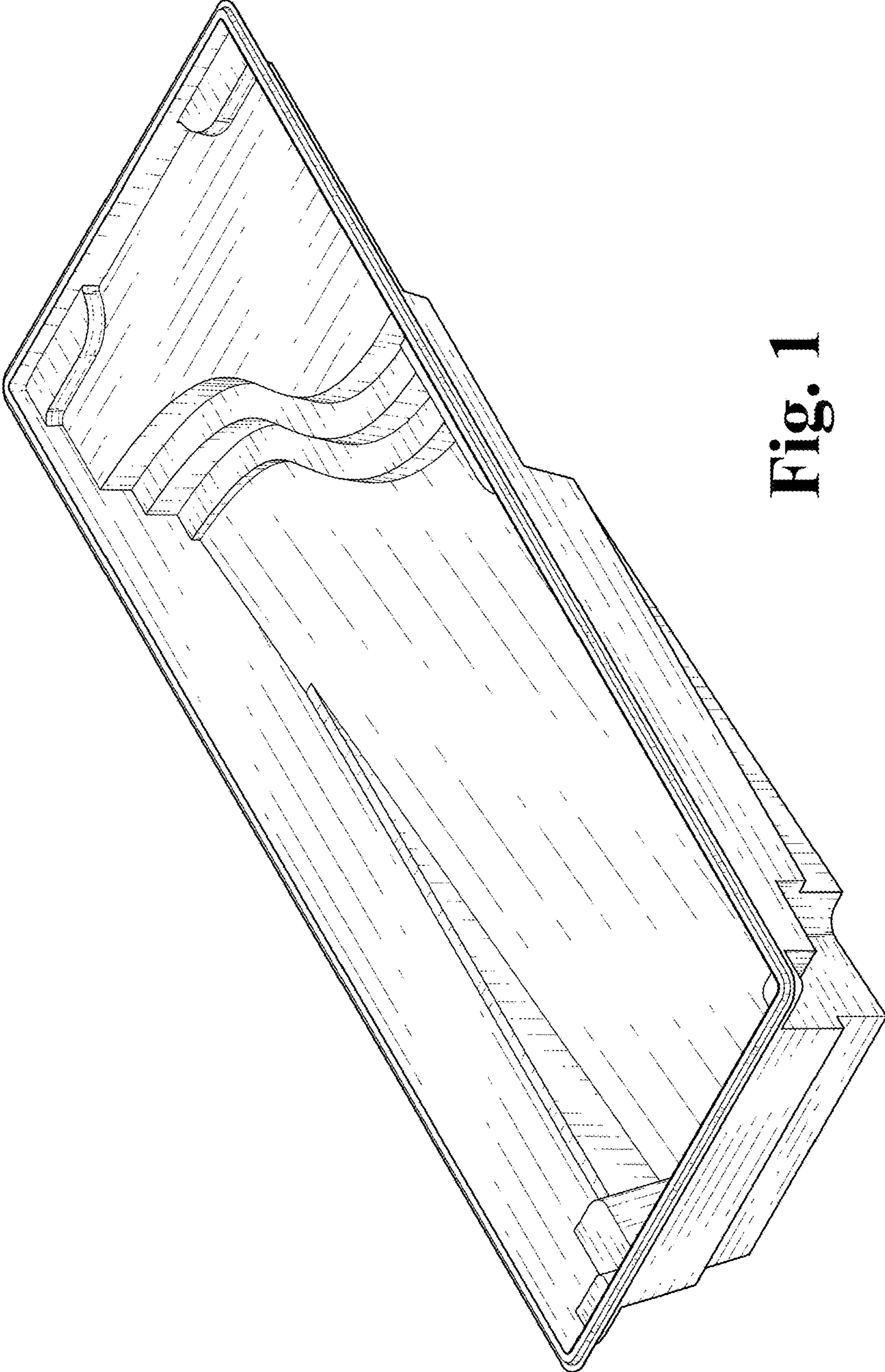


Fig. 1

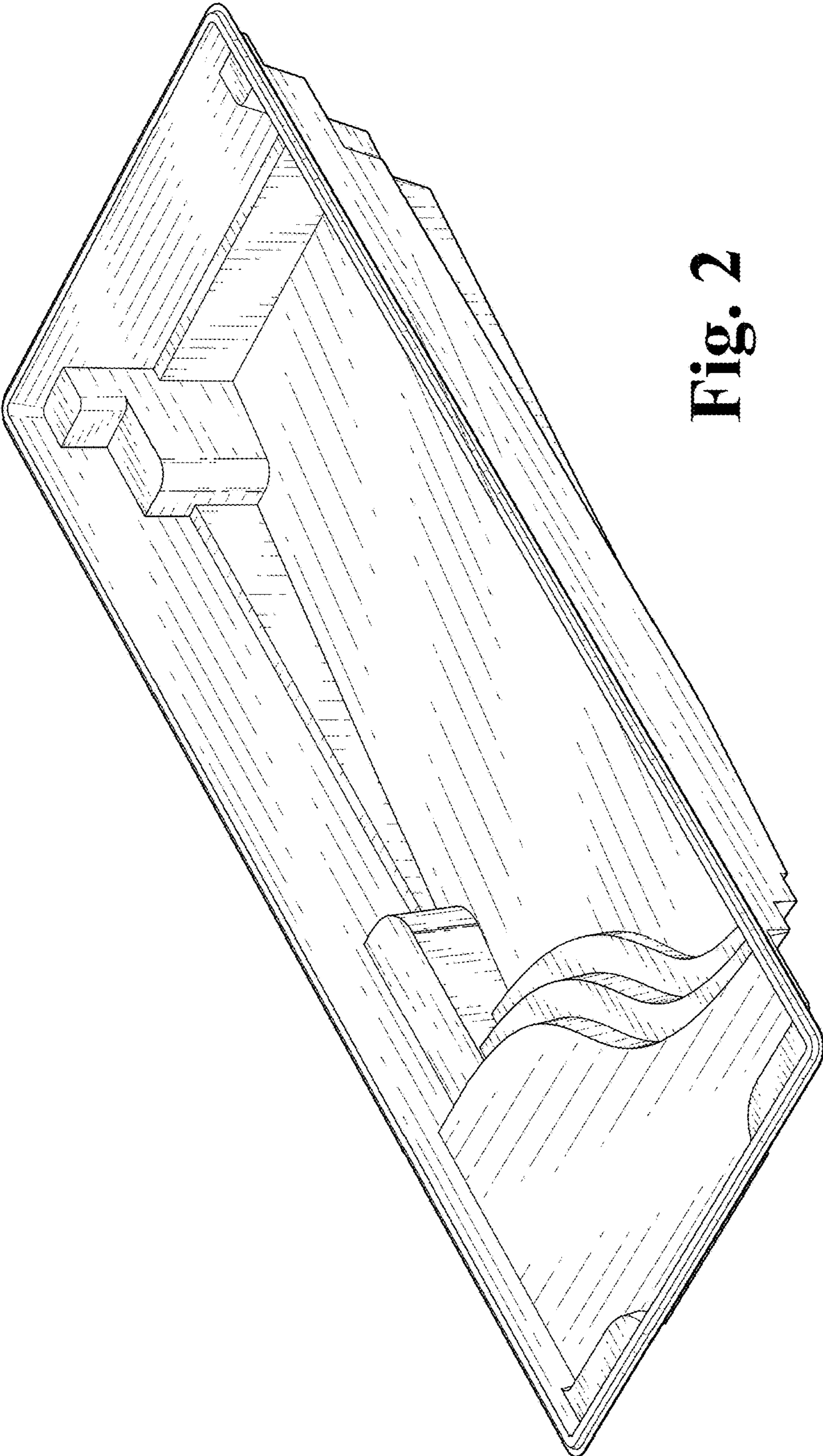


Fig. 2

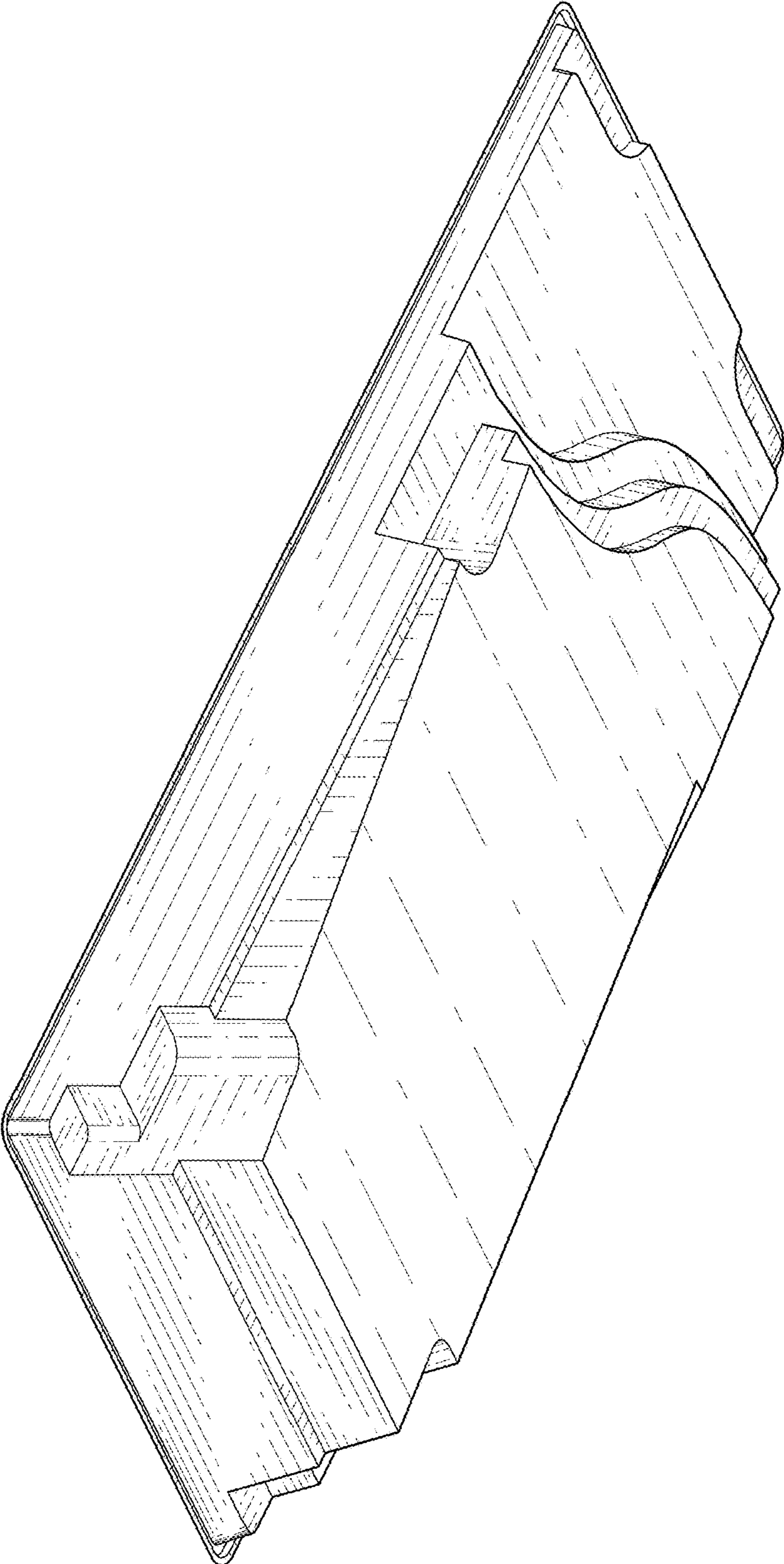


Fig. 3

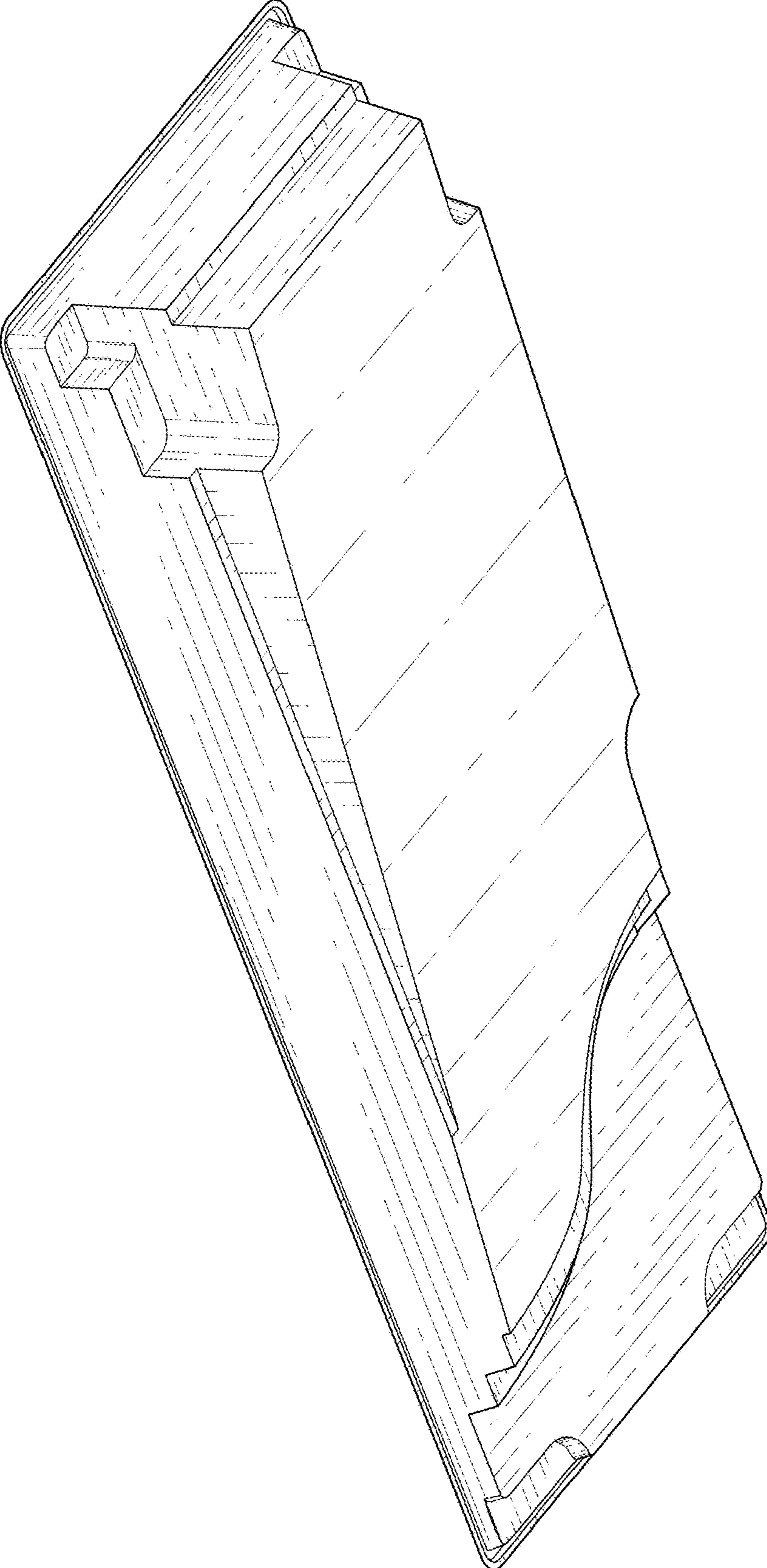


Fig. 4

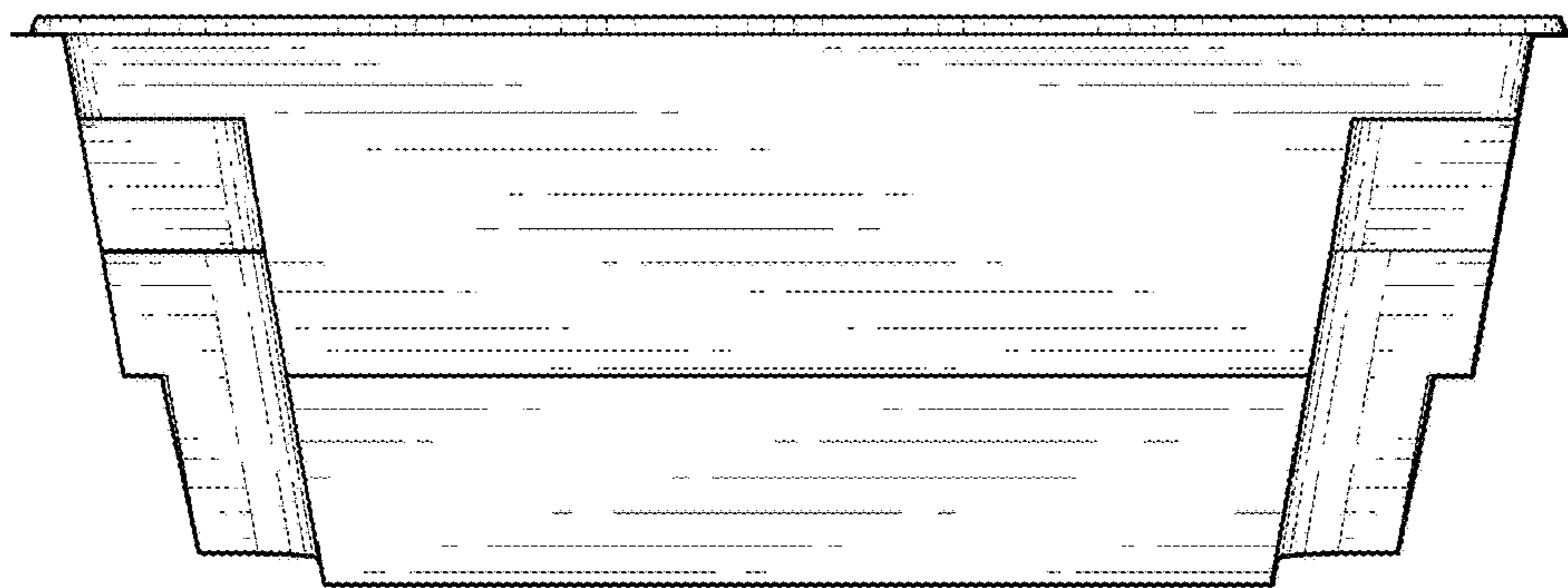


Fig. 5

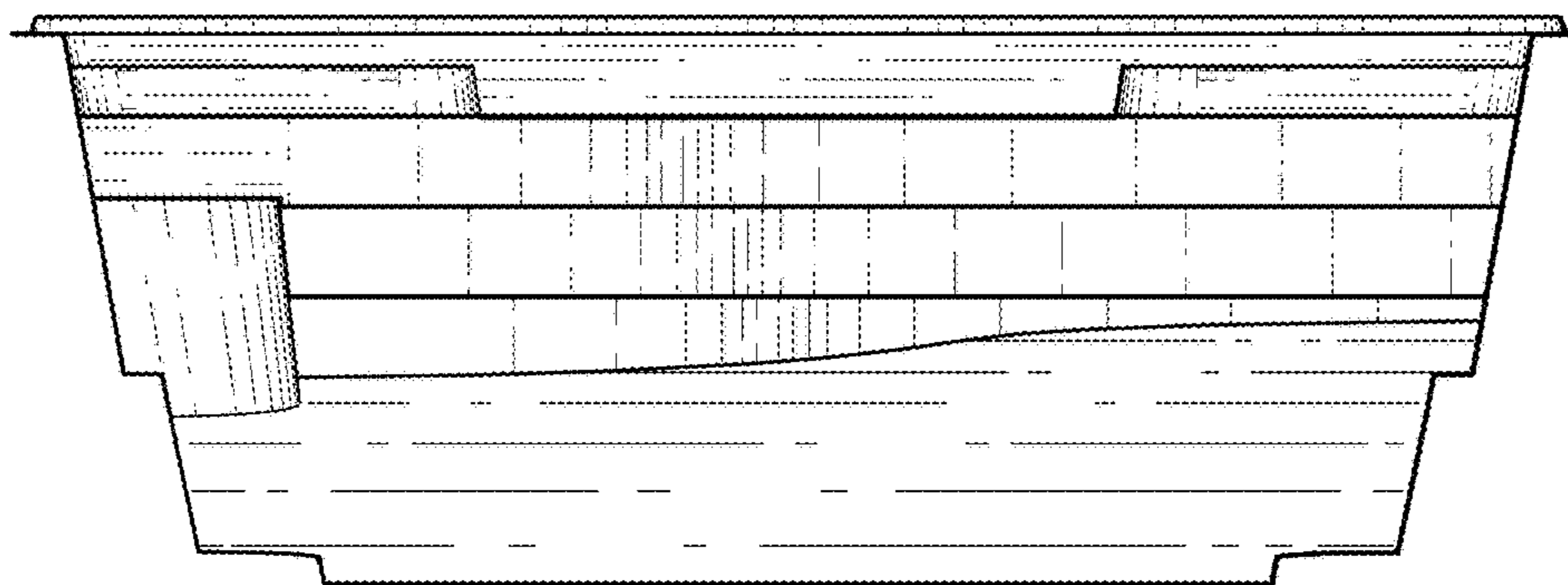


Fig. 6

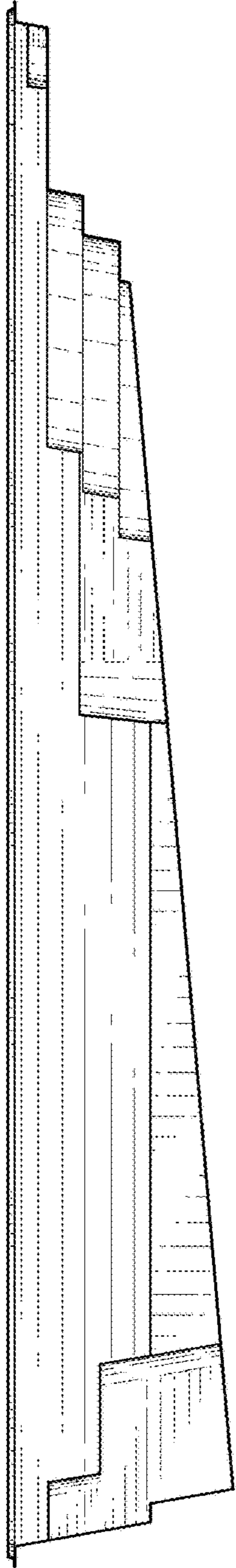


Fig. 9

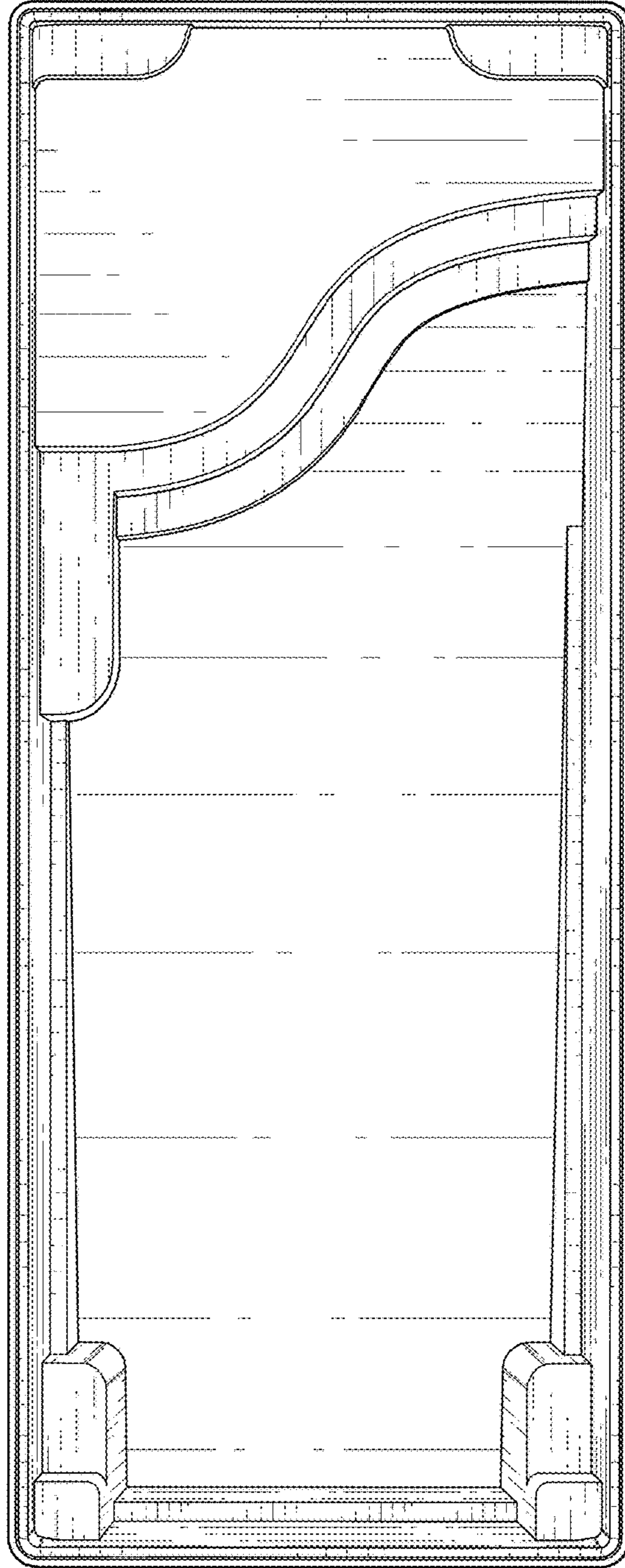


Fig. 7

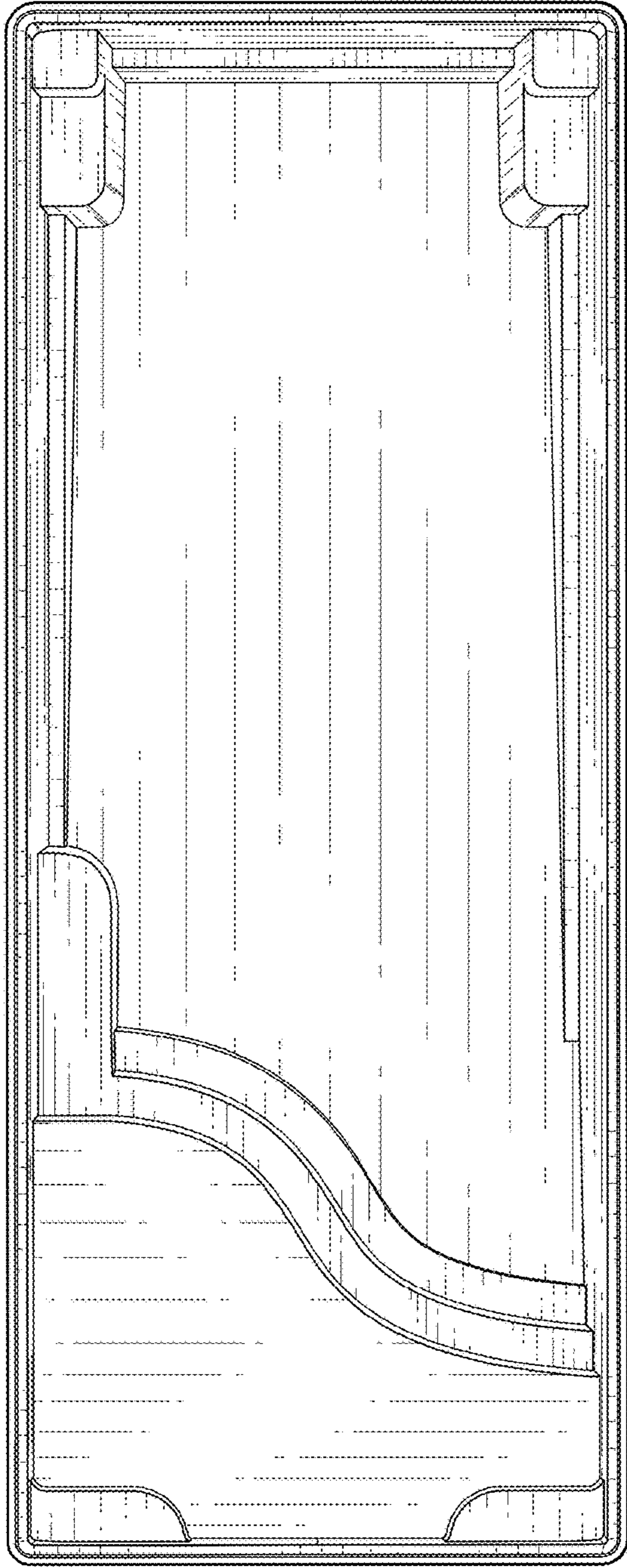


Fig. 8

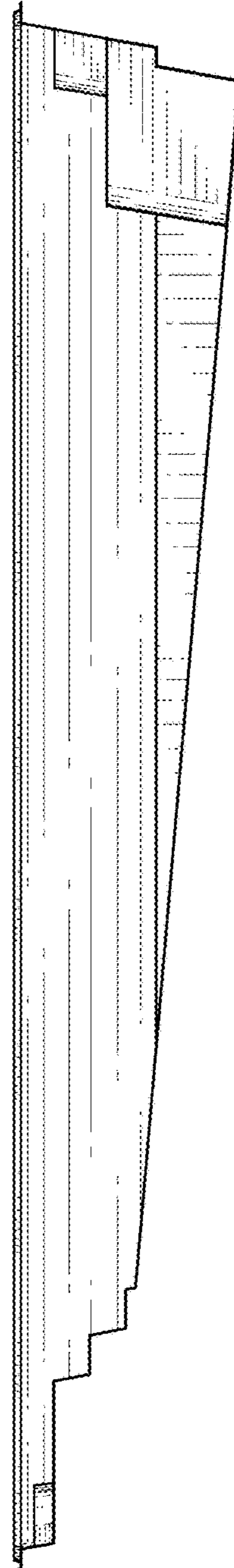


Fig. 10