



US00D851778S

(12) **United States Design Patent** (10) **Patent No.:** **US D851,778 S**
Stamm et al. (45) **Date of Patent:** **** Jun. 18, 2019**

(54) **FLUID TESTING BASE STATION**
(71) Applicant: **bioMerieux, Inc.**, Durham, NC (US)
(72) Inventors: **Perry D. Stamm**, Dardenne Prairie, MO (US); **Gregory R. Maes**, Fenton, MO (US); **Jack R. Hoffmann, Jr.**, St. Louis, MO (US); **Walter J. Clynes**, O'Fallon, MO (US); **Leonard H. Schleicher, Jr.**, St. Charles, MO (US); **Christopher George Kocher**, St. Louis, MO (US); **Brian David Peterson**, Wentzville, MO (US); **Tim Payne**, Santa Ana, CA (US)
(73) Assignee: **BIOMERIEUX, INC.**, Durham, NC (US)

(**) Term: **15 Years**
(21) Appl. No.: **29/622,785**
(22) Filed: **Oct. 19, 2017**

Related U.S. Application Data

(63) Continuation-in-part of application No. 29/601,267, filed on Apr. 20, 2017.
(51) **LOC (11) Cl.** **24-01**
(52) **U.S. Cl.**
USPC **D24/216**
(58) **Field of Classification Search**
USPC D24/107, 169, 185, 186, 216-219, D24/231-234; D10/81
CPC G01N 1/28; G01N 33/50; G01N 35/025; G01N 2035/00306; G01N 2035/00326; G01N 2035/00336; G01N 2030/027; G01N 21/76
See application file for complete search history.

(56) **References Cited**
U.S. PATENT DOCUMENTS
D431,867 S 10/2000 Maynard et al.
D474,278 S 5/2003 Niedbala et al.
D493,232 S 7/2004 Wohlstadter et al.
D706,945 S 6/2014 Chan et al.
D720,466 S 12/2014 Edding
D739,031 S 9/2015 Golden et al.
D748,814 S * 2/2016 Han D24/216
D789,550 S 6/2017 Ludlow et al.
D800,912 S 10/2017 Uzri et al.
D805,650 S * 12/2017 Hsiung D24/216
D812,246 S * 3/2018 Hommel D24/231
D814,045 S * 3/2018 Kamees D24/216
D819,829 S * 6/2018 Osmus D24/232
2006/0066858 A1 3/2006 Jaunakais et al.
2006/0088895 A1 4/2006 Wanders et al.

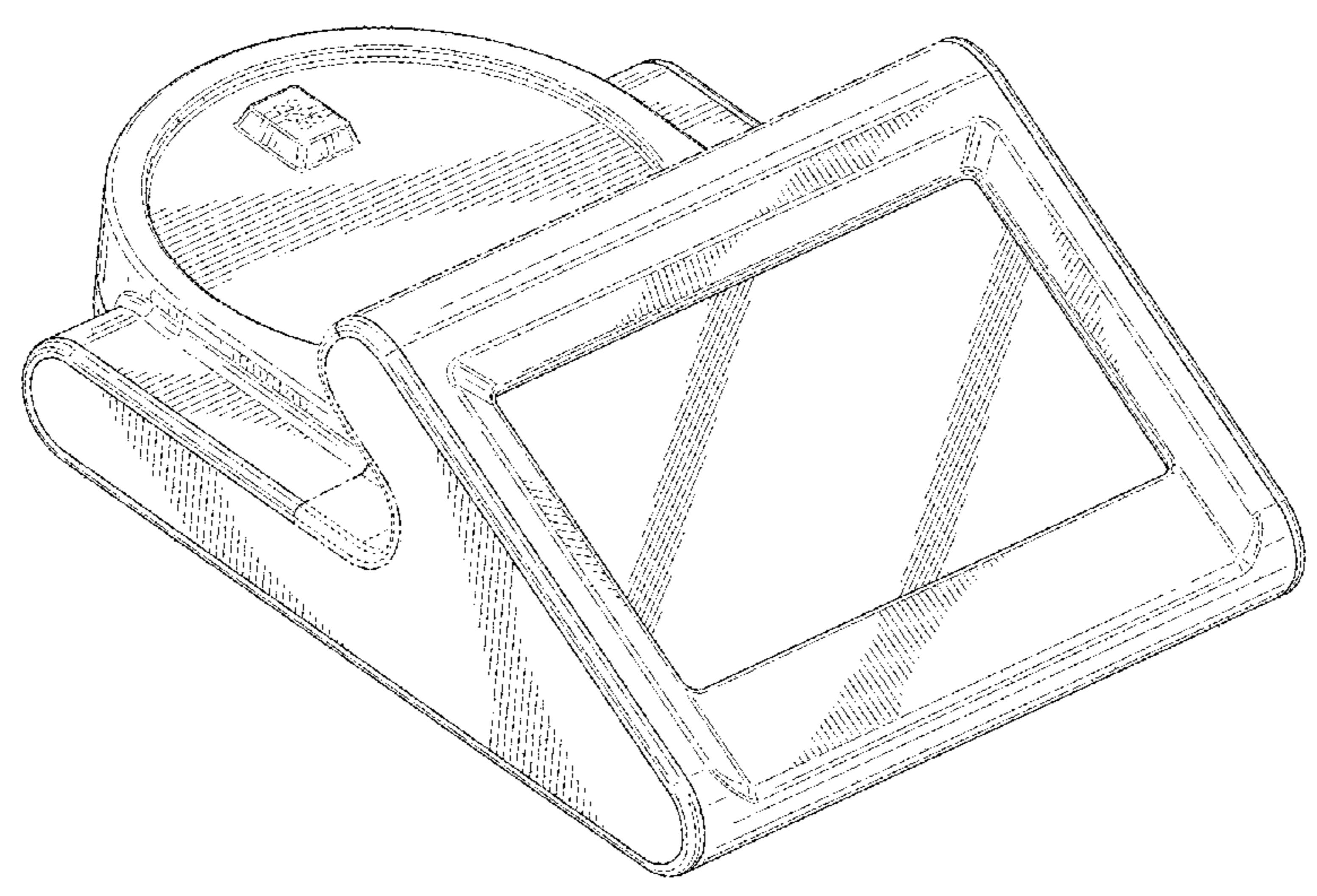
* cited by examiner
Primary Examiner — Anhdao Doan
(74) *Attorney, Agent, or Firm* — Alston & Bird LLP

(57) **CLAIM**
The ornamental design for a fluid testing base station, as shown and described.

DESCRIPTION

FIG. 1 is a front perspective view of a fluid testing base station according to our new design; FIG. 2 is a rear perspective view thereof; FIG. 3 is a top elevation view of thereof; FIG. 4 is a bottom plan view thereof; FIG. 5 is a left side elevation view thereof; FIG. 6 is a right side elevation view thereof; FIG. 7 is a front elevation view thereof; and, FIG. 8 is a rear elevation view thereof. The dash-dot-dash broken lines showing in FIGS. 1-3, 5, 6, and 8, illustrates the bounds of the claim and forms no part of the claimed design.

1 Claim, 7 Drawing Sheets



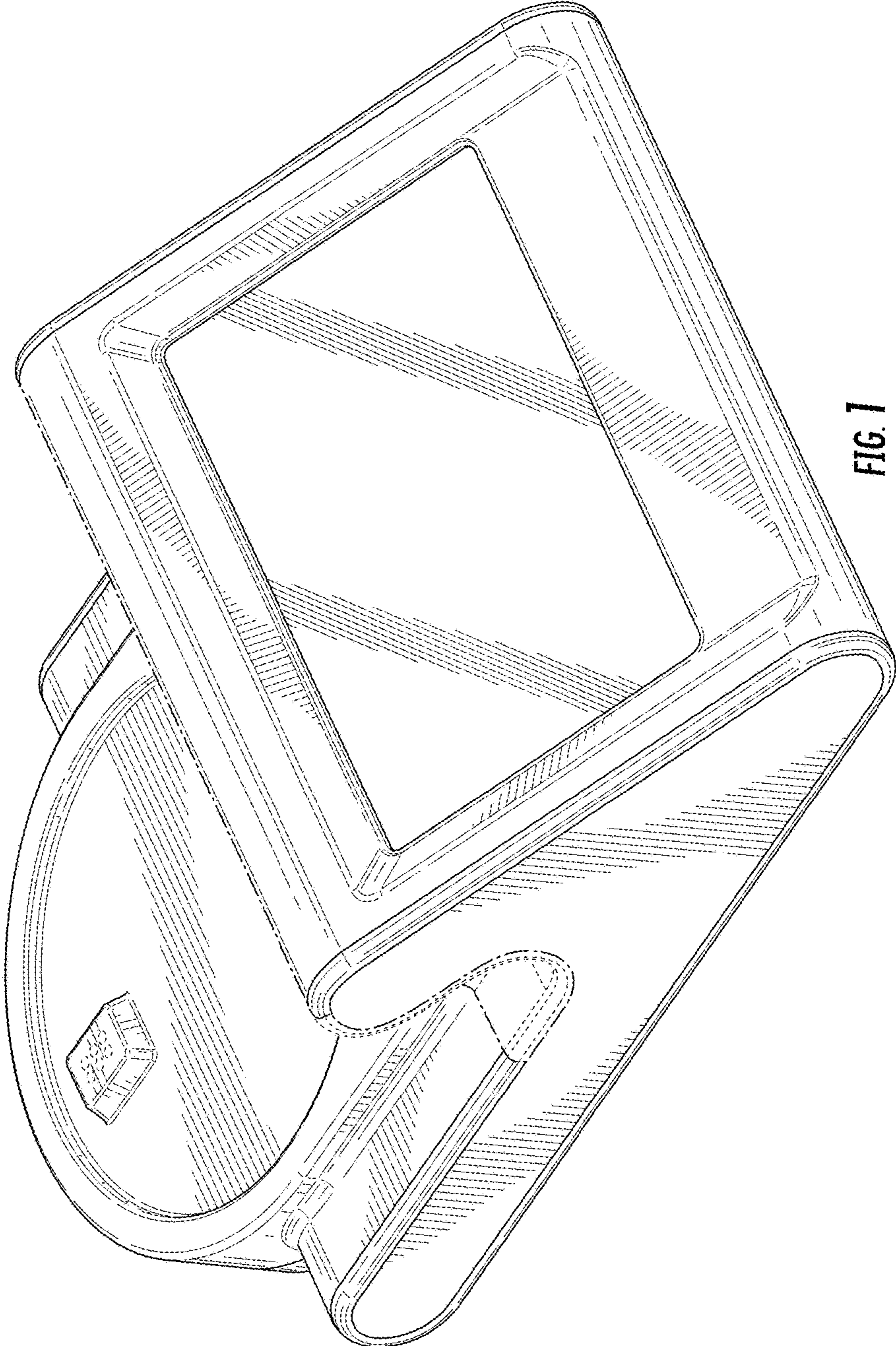


FIG. 1

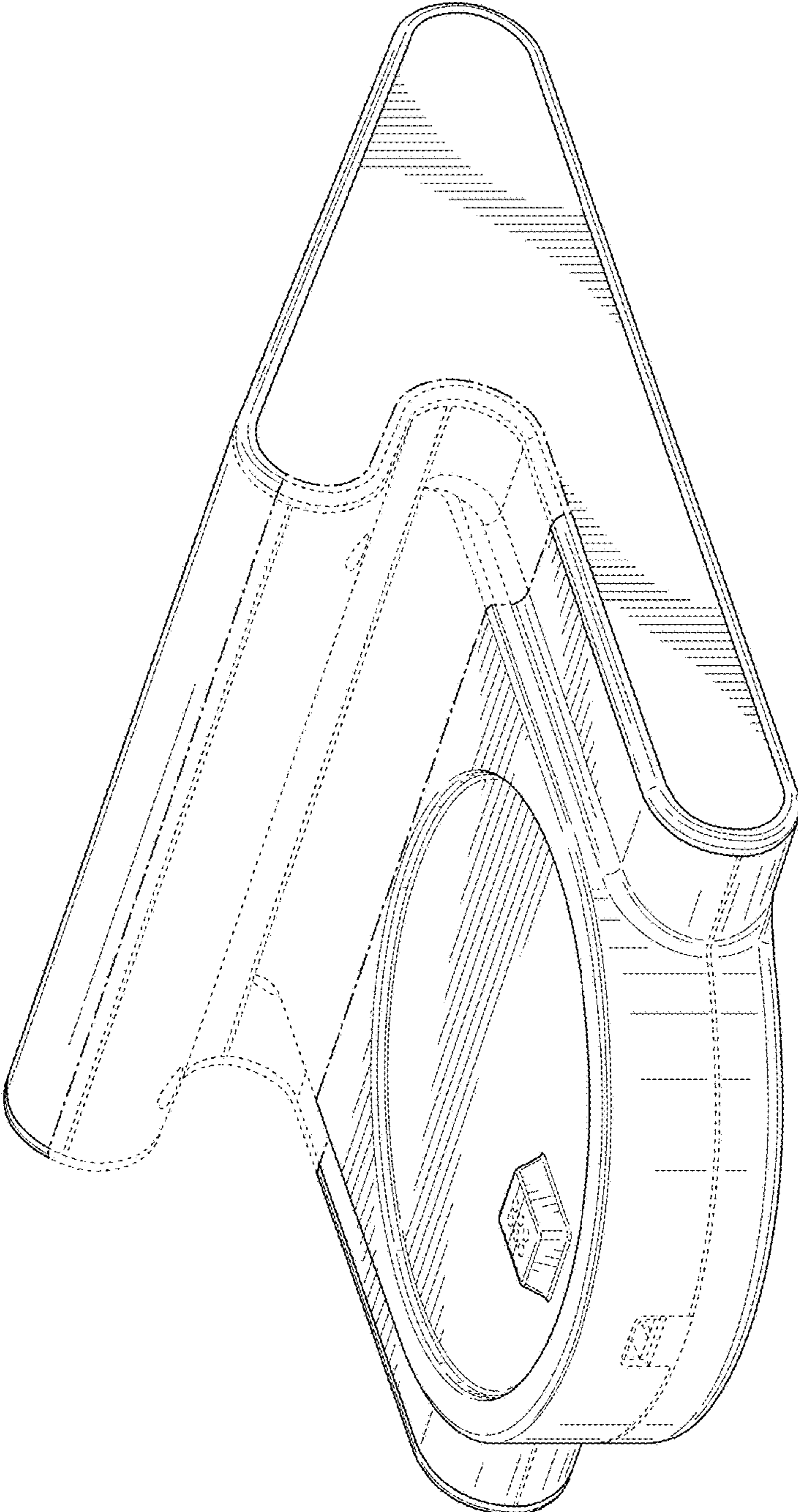


FIG. 2

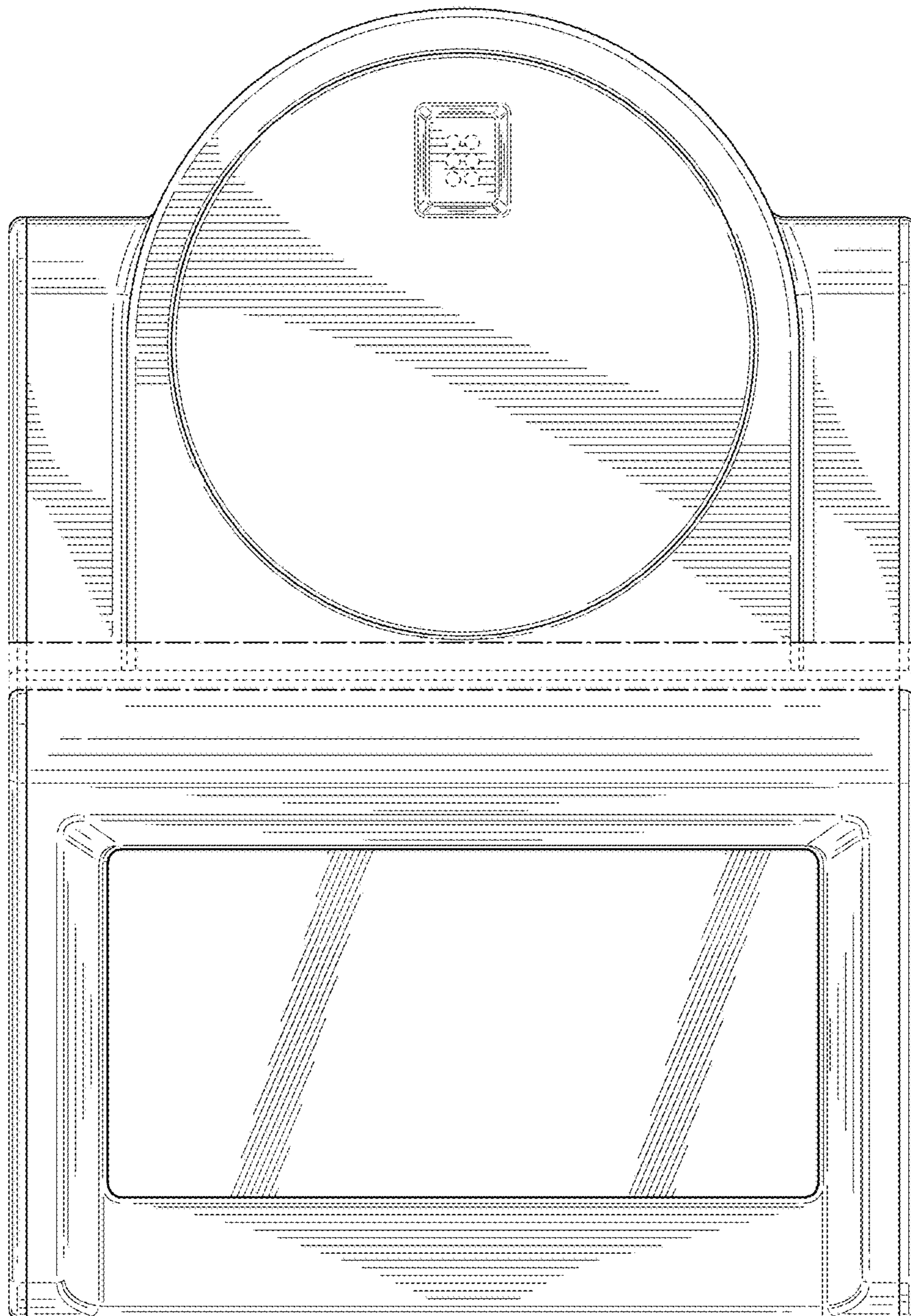


FIG. 3

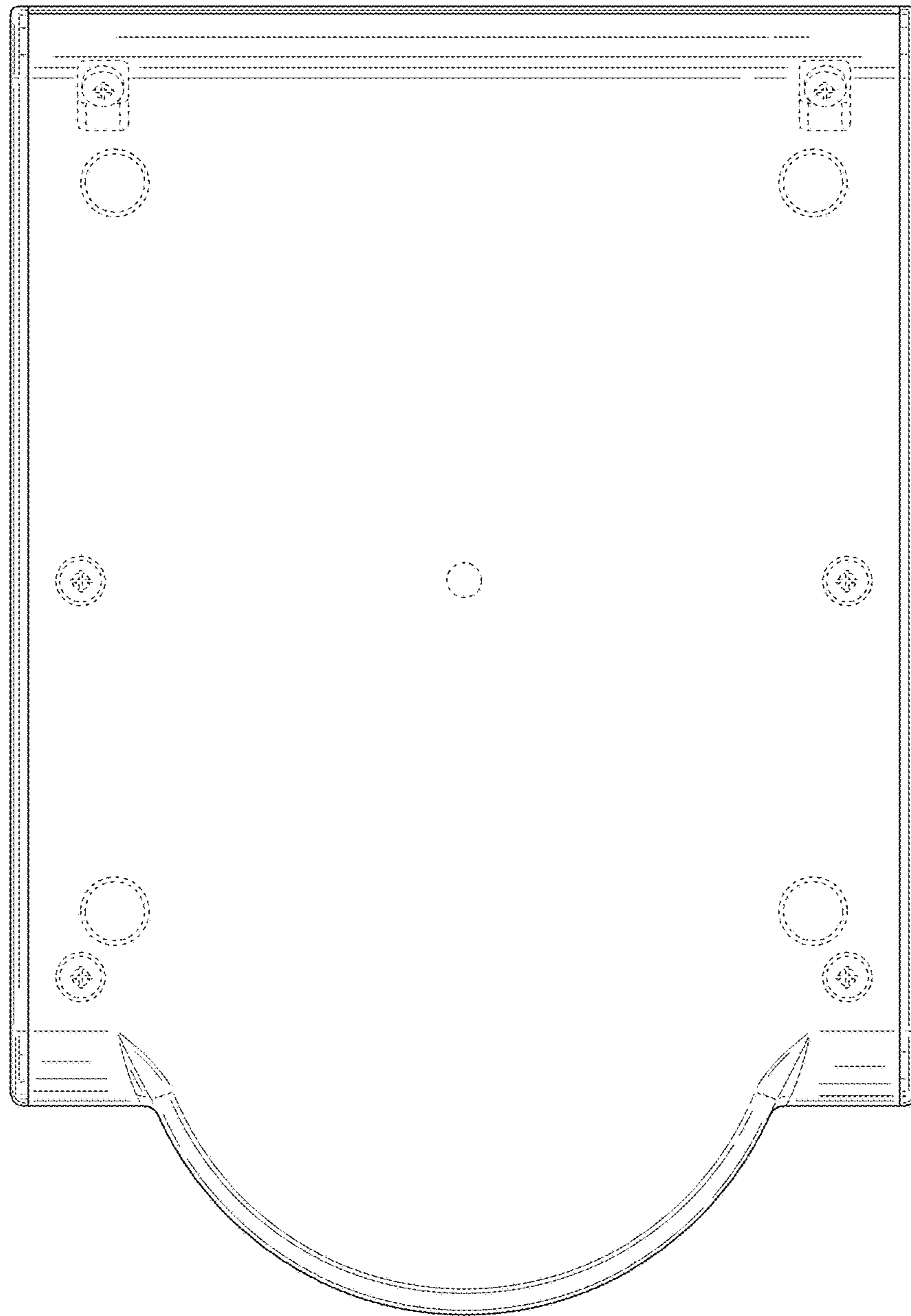


FIG. 4

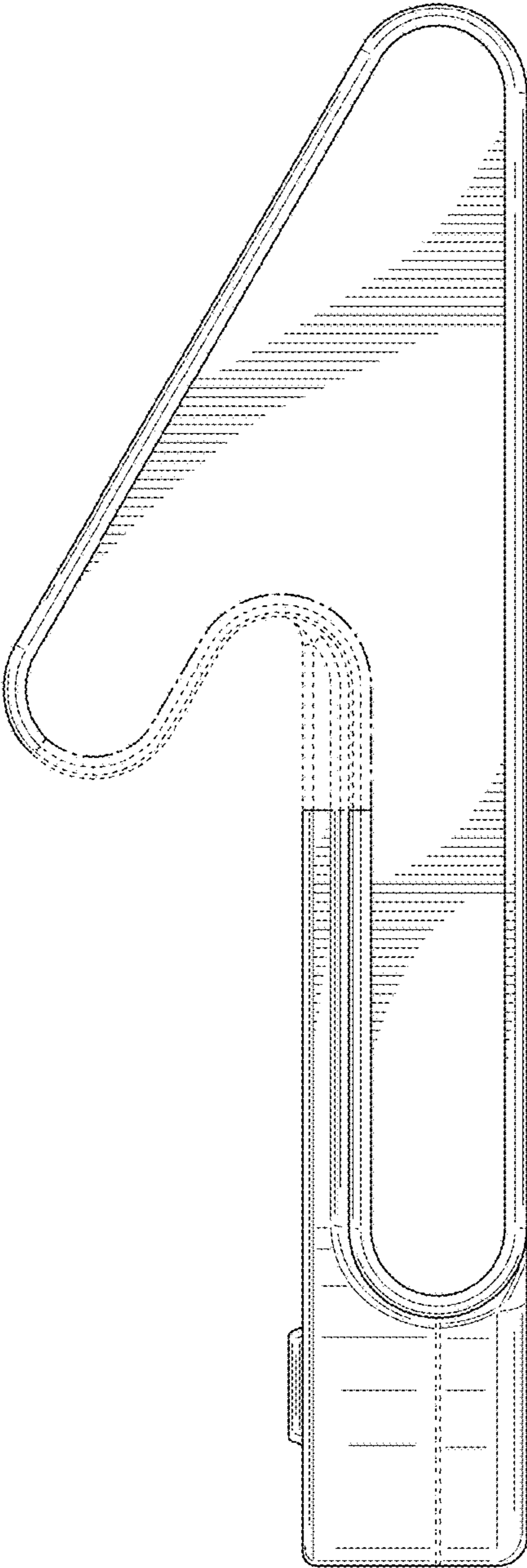


FIG. 5

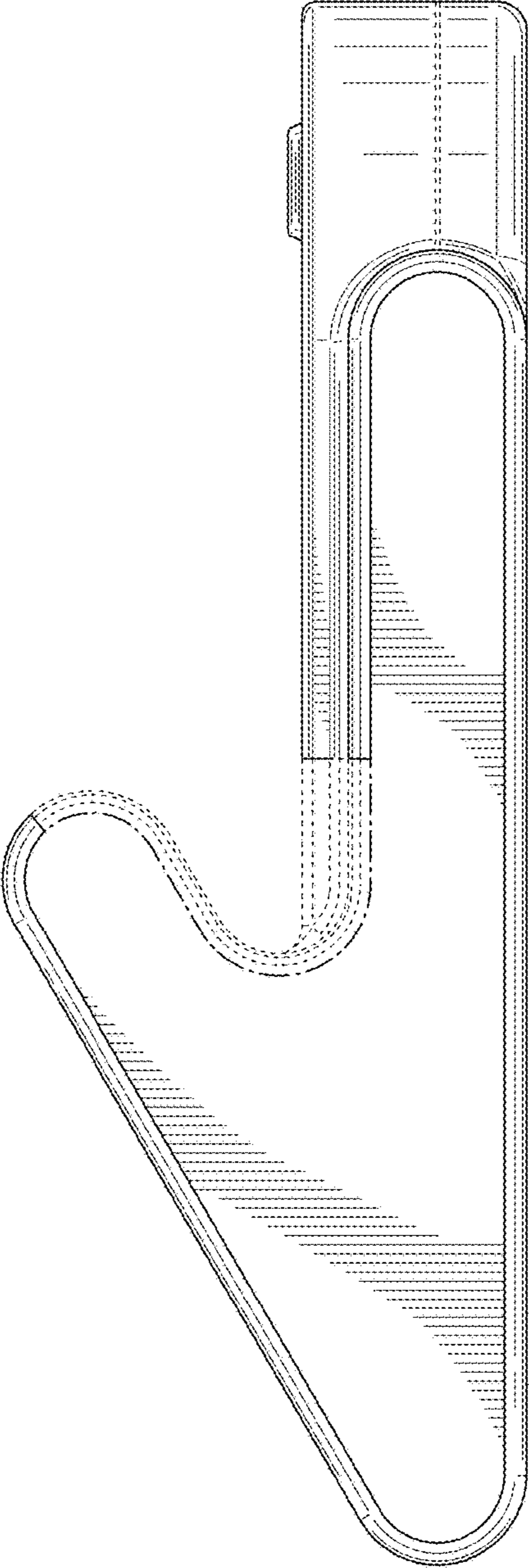


FIG. 6

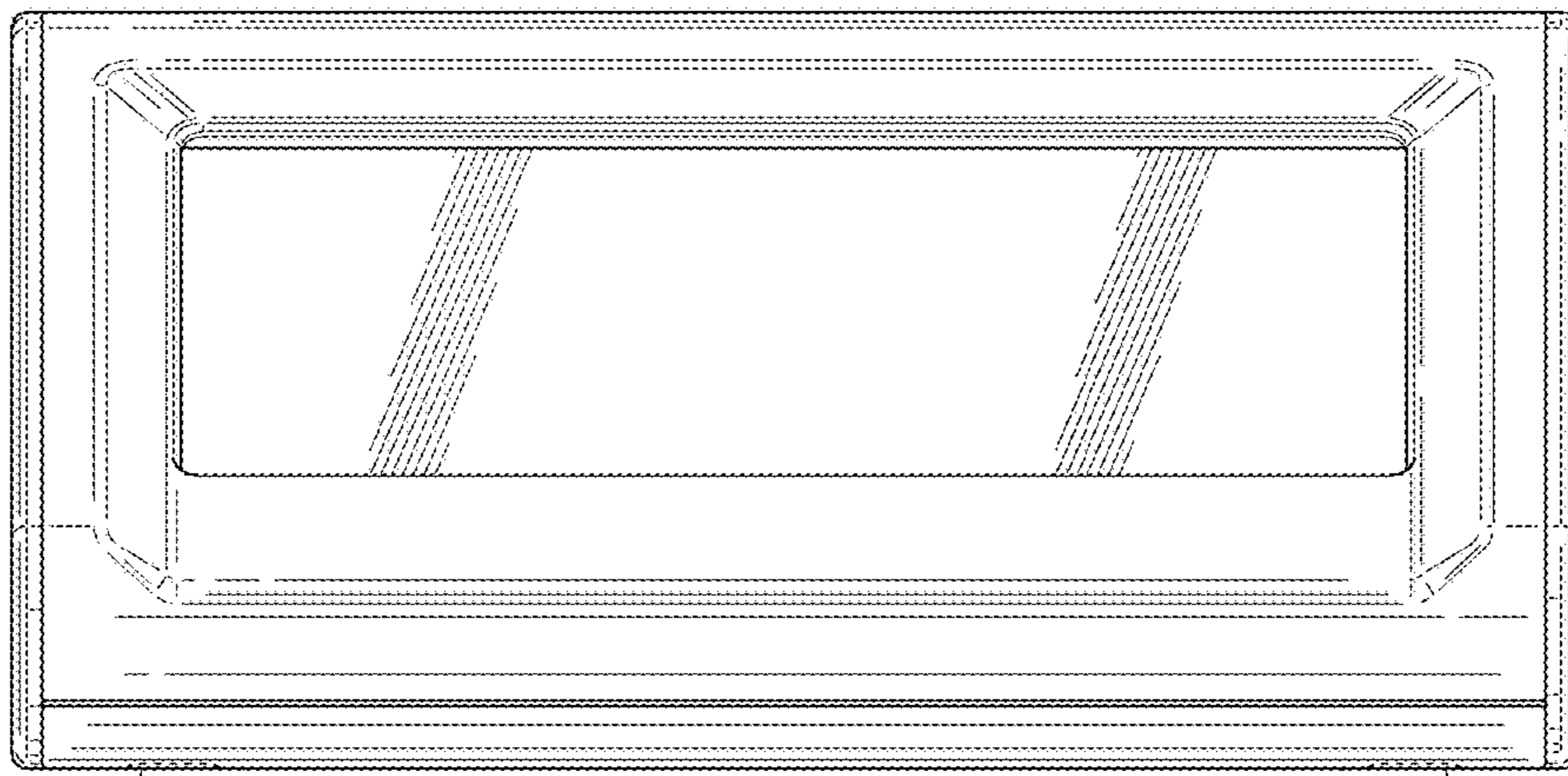


FIG. 7

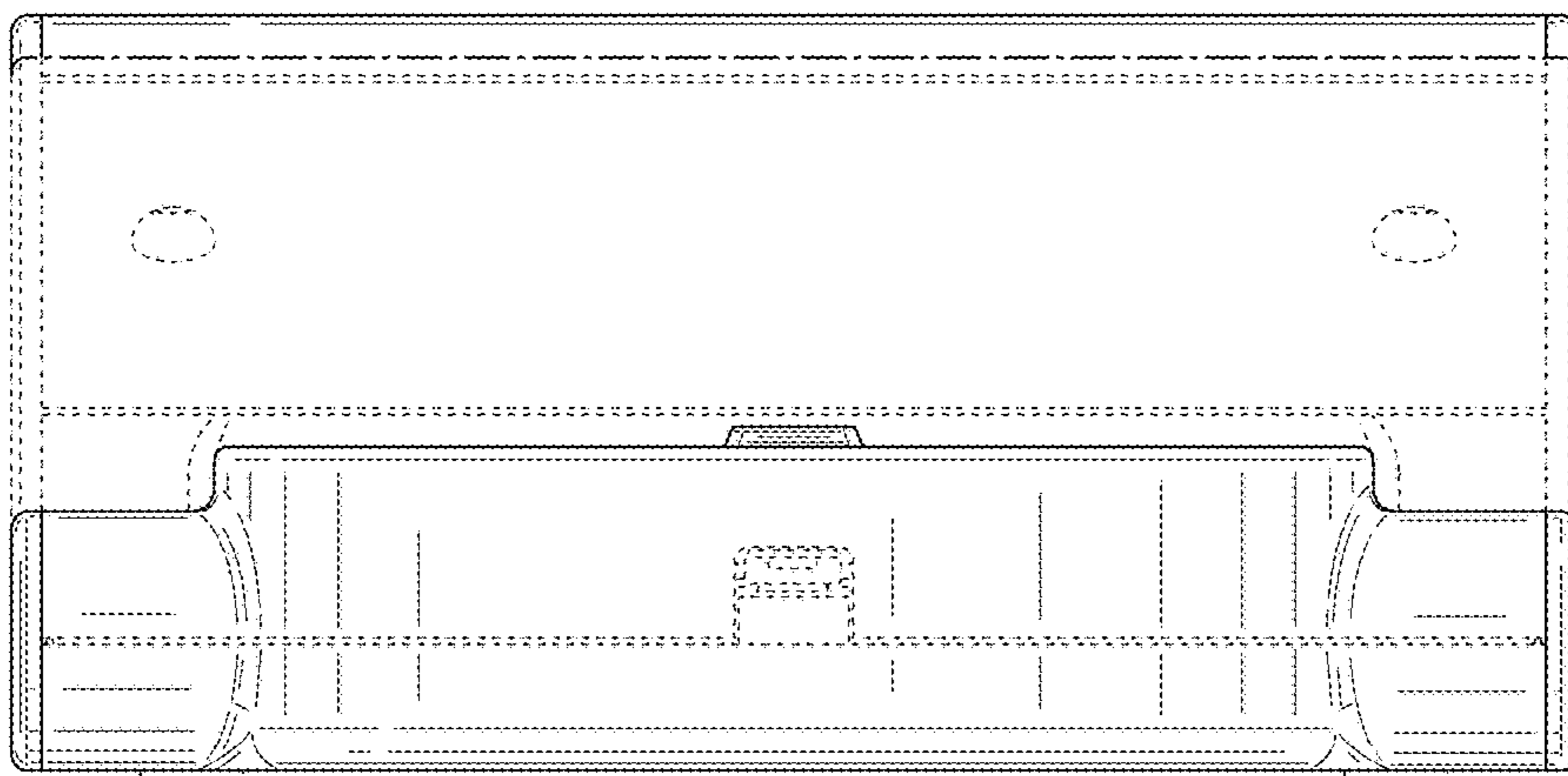


FIG. 8