



US00D851773S

(12) **United States Design Patent**
Nishikawa et al.

(10) **Patent No.:** **US D851,773 S**
(45) **Date of Patent:** **** Jun. 18, 2019**

(54) **IMMUNOCHROMATOGRAPHIC TEST DEVICE**

(71) Applicant: **SEKISUI MEDICAL CO., LTD.**,
Tokyo (JP)

(72) Inventors: **Masato Nishikawa**, Osaka (JP); **Kazuo Kotani**, Tokyo (JP); **Motoki Morita**, Tokyo (JP); **Keigo Kohno**, Tokyo (JP)

(73) Assignee: **SEKISUI Medical Co., Ltd.**, Tokyo (JP)

(**) Term: **15 Years**

(21) Appl. No.: **29/616,618**

(22) Filed: **Sep. 7, 2017**

Related U.S. Application Data

(63) Continuation of application No. 29/566,897, filed on Jun. 3, 2016, now Pat. No. Des. 800,320.

(30) **Foreign Application Priority Data**

May 26, 2016 (JP) 2016-11199

(51) **LOC (11) Cl.** **24-01**

(52) **U.S. Cl.**
USPC **D24/186**

(58) **Field of Classification Search**

USPC D24/186, 107-108, 169, 216, 223-225, D24/232, 233; D10/81; 422/63-64, 68.1,
(Continued)

(56) **References Cited**

U.S. PATENT DOCUMENTS

D678,530 S 3/2013 Khan et al.
D686,311 S * 7/2013 Mori D24/108
(Continued)

Primary Examiner — Wan Laymon
Assistant Examiner — Mark Booker

(74) *Attorney, Agent, or Firm* — Muncy, Geissler, Olds & Lowe, P.C.

(57) **CLAIM**

The ornamental design for an immunochromatographic test device, as shown and described.

DESCRIPTION

FIG. 1 is a front right perspective view of an immunochromatographic test device according to the present invention. FIG. 2 is a front view of the immunochromatographic test device of FIG. 1.

FIG. 3 is a rear view of the immunochromatographic test device of FIG. 1.

FIG. 4 is a top view of the immunochromatographic test device of FIG. 1.

FIG. 5 is a bottom view of the immunochromatographic test device of FIG. 1.

FIG. 6 is a right side view of the immunochromatographic test device of FIG. 1.

FIG. 7 is a left side view of the immunochromatographic test device of FIG. 1.

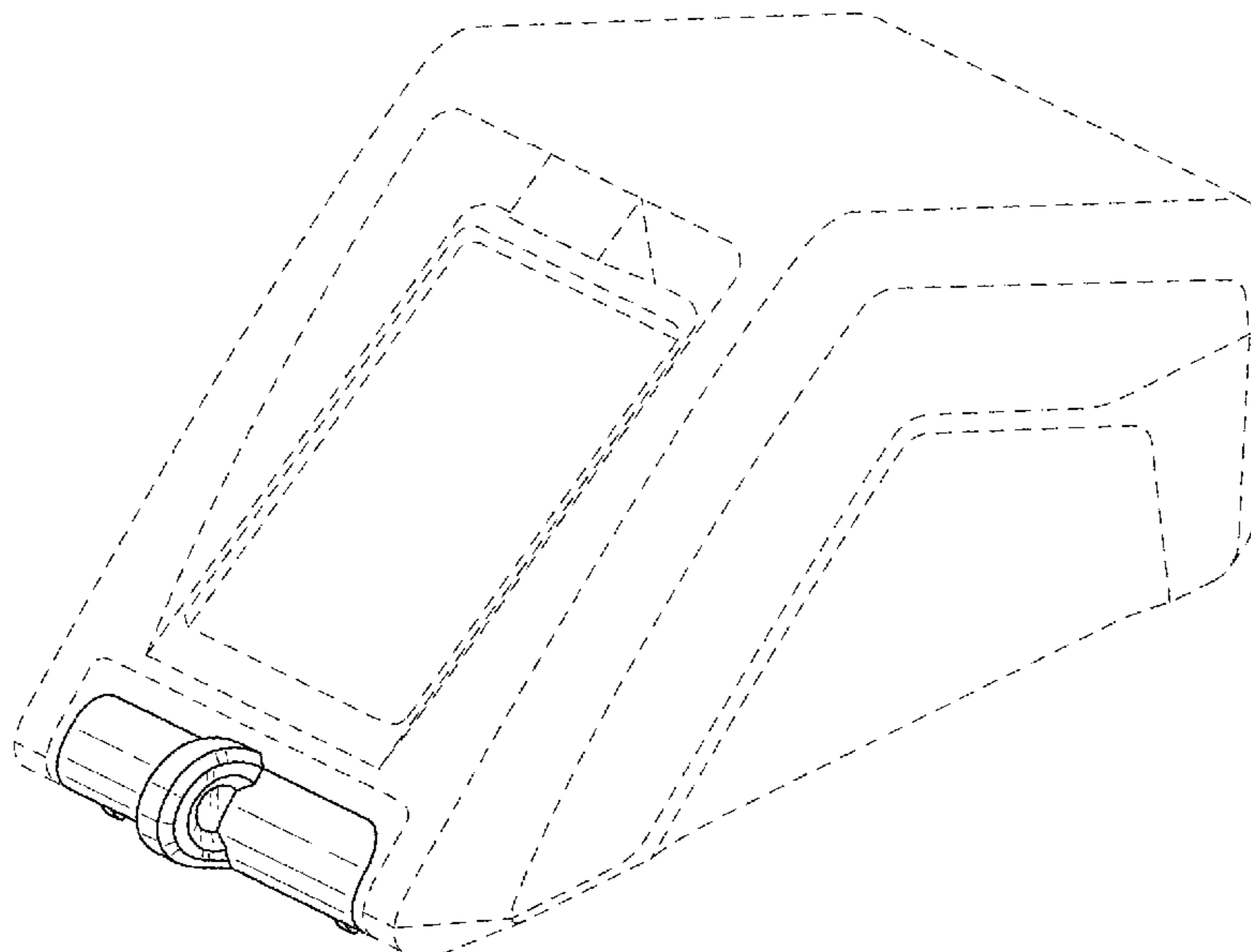
FIG. 8 is a front right perspective of the immunochromatographic test device of FIG. 1 with an open test drawer.

FIG. 9 is a front right perspective of the immunochromatographic test device of FIG. 1 with an open test drawer and a tester cartridge inserted therein for testing; and,

FIG. 10 is a front right perspective of the immunochromatographic test device of FIG. 1 with an open test drawer and a tester cartridge inserted therein for testing.

The broken lines shown in the figures represent portions of the immunochromatographic test device that form no part of the claimed design.

1 Claim, 8 Drawing Sheets



(58) **Field of Classification Search**

USPC 422/85.05, 82.05, 554, 561, 565, 420;
435/287.2
CPC G01N 33/558; G01N 33/56944; Y10S
436/806; Y10S 977/918; Y10S 436/809;
B01D 15/3804; B01D 15/10; B01D
15/3809; B01D 15/3857; B01L
2300/0867; G06K 9/00127

See application file for complete search history.

(56) **References Cited**

U.S. PATENT DOCUMENTS

D733,917 S	7/2015	Klein et al.	
D734,484 S *	7/2015	Nishikawa	D24/216
D753,311 S	4/2016	Long	
D772,086 S	11/2016	Schueren et al.	
D796,049 S *	8/2017	Nishikawa	D24/186
D796,050 S *	8/2017	Nishikawa	D24/186
D797,295 S *	9/2017	Nishikawa	D24/186
D800,320 S *	10/2017	Nishikawa	D24/186
D819,470 S *	6/2018	Schueren	D10/81
D827,859 S *	9/2018	Mathers	D24/232
D833,033 S *	11/2018	Foster	D24/233
2015/0031136 A1 *	1/2015	Gwon	G01N 35/00584 436/50

* cited by examiner

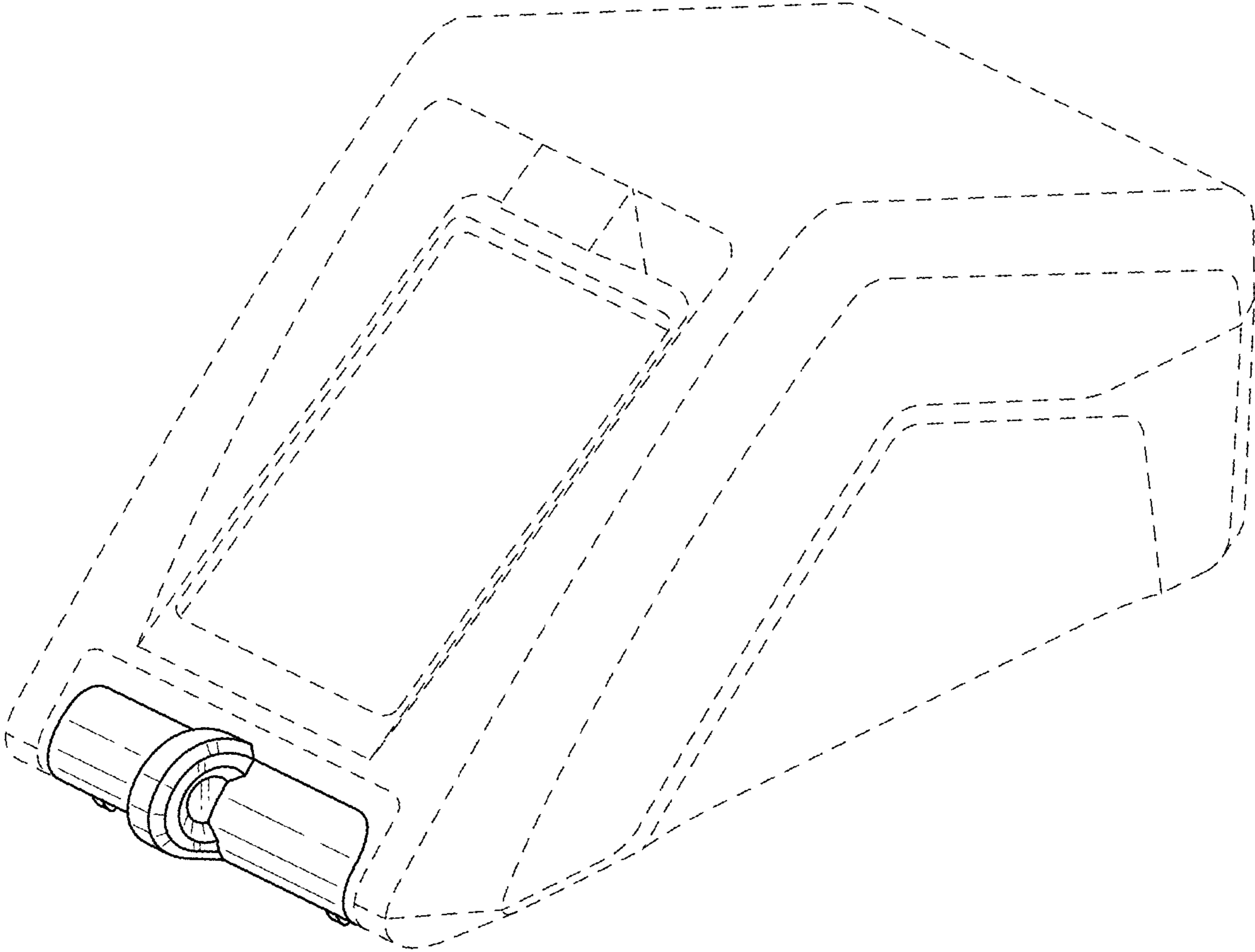


FIG. 1

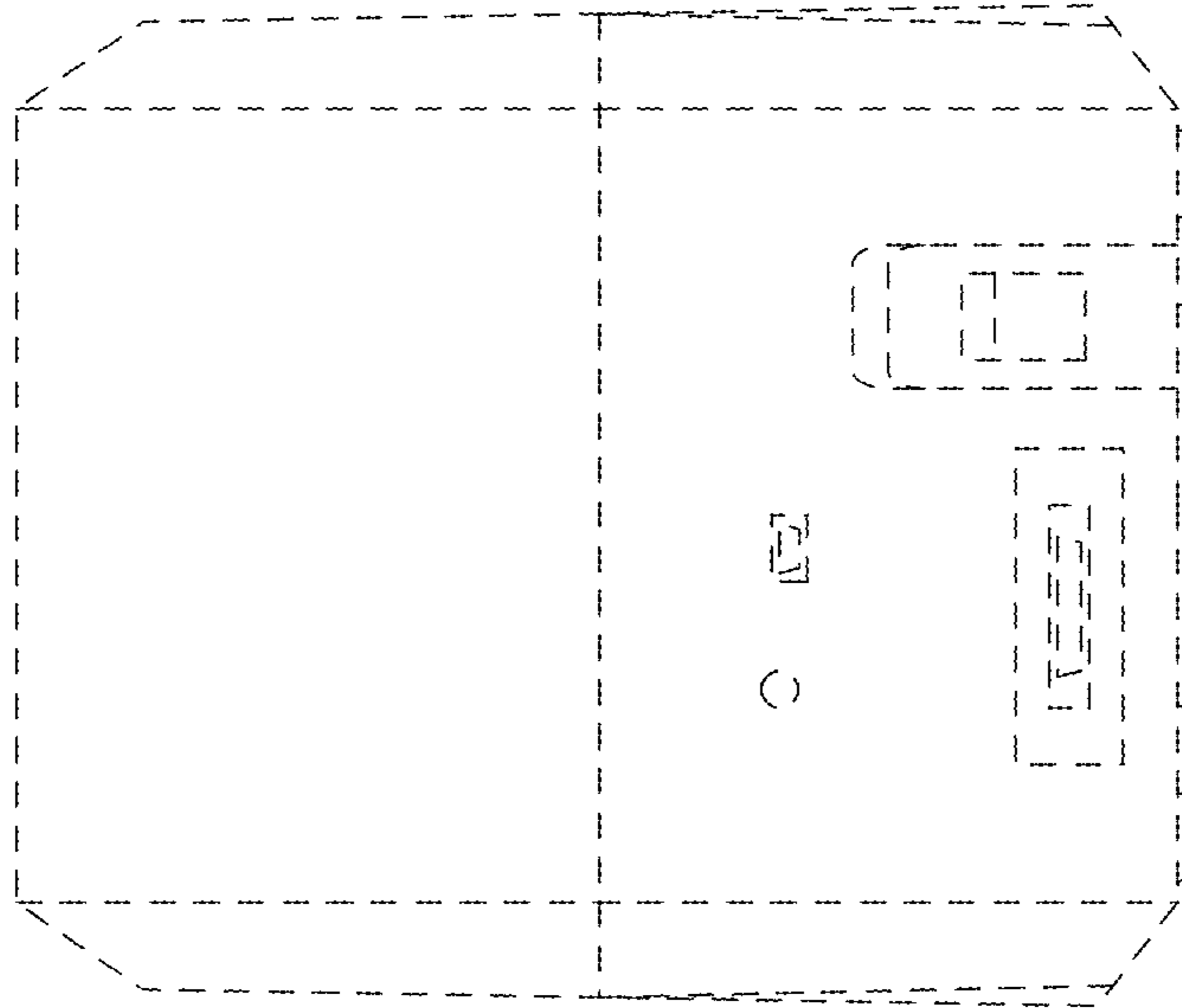


FIG. 3

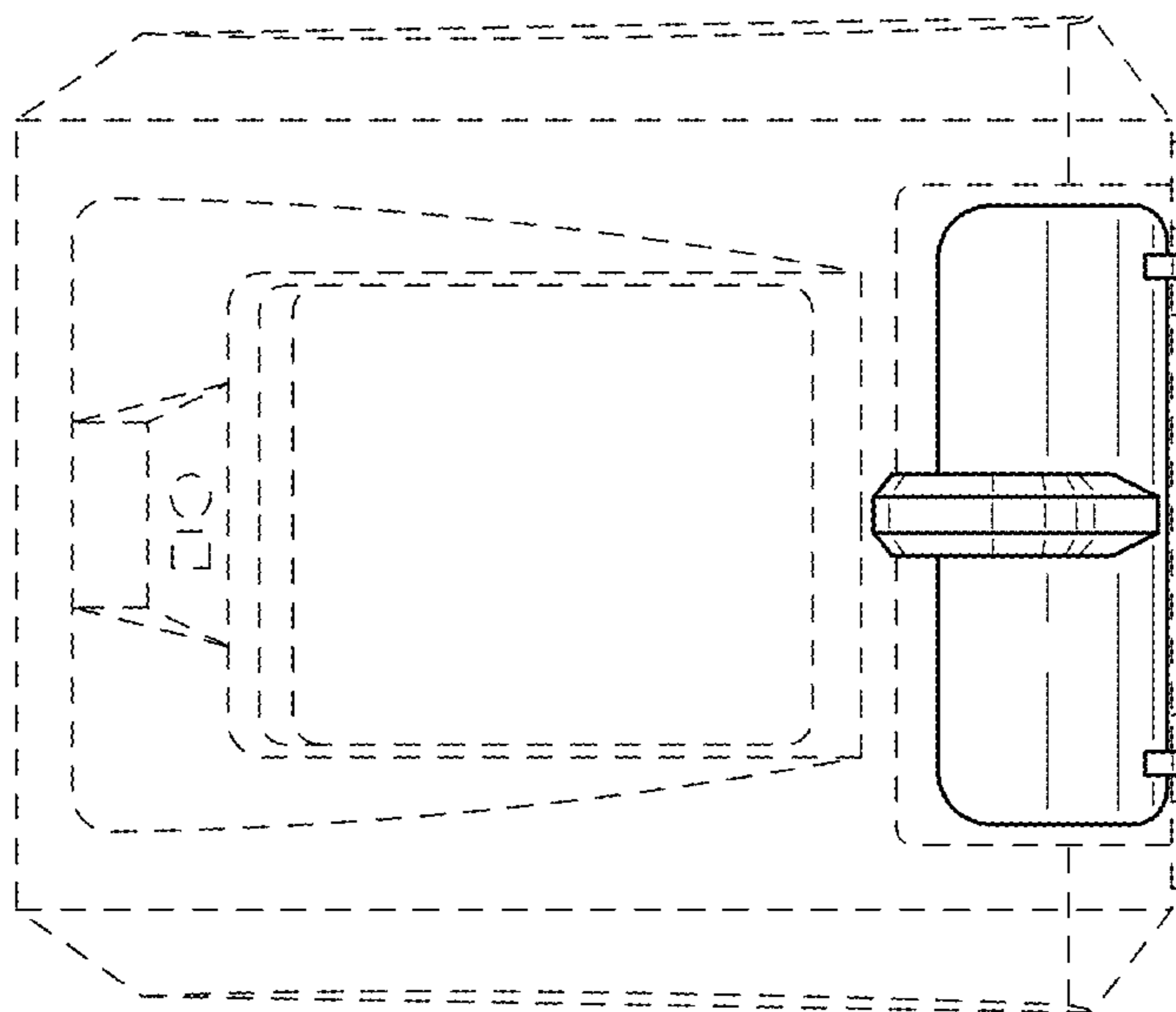


FIG. 2

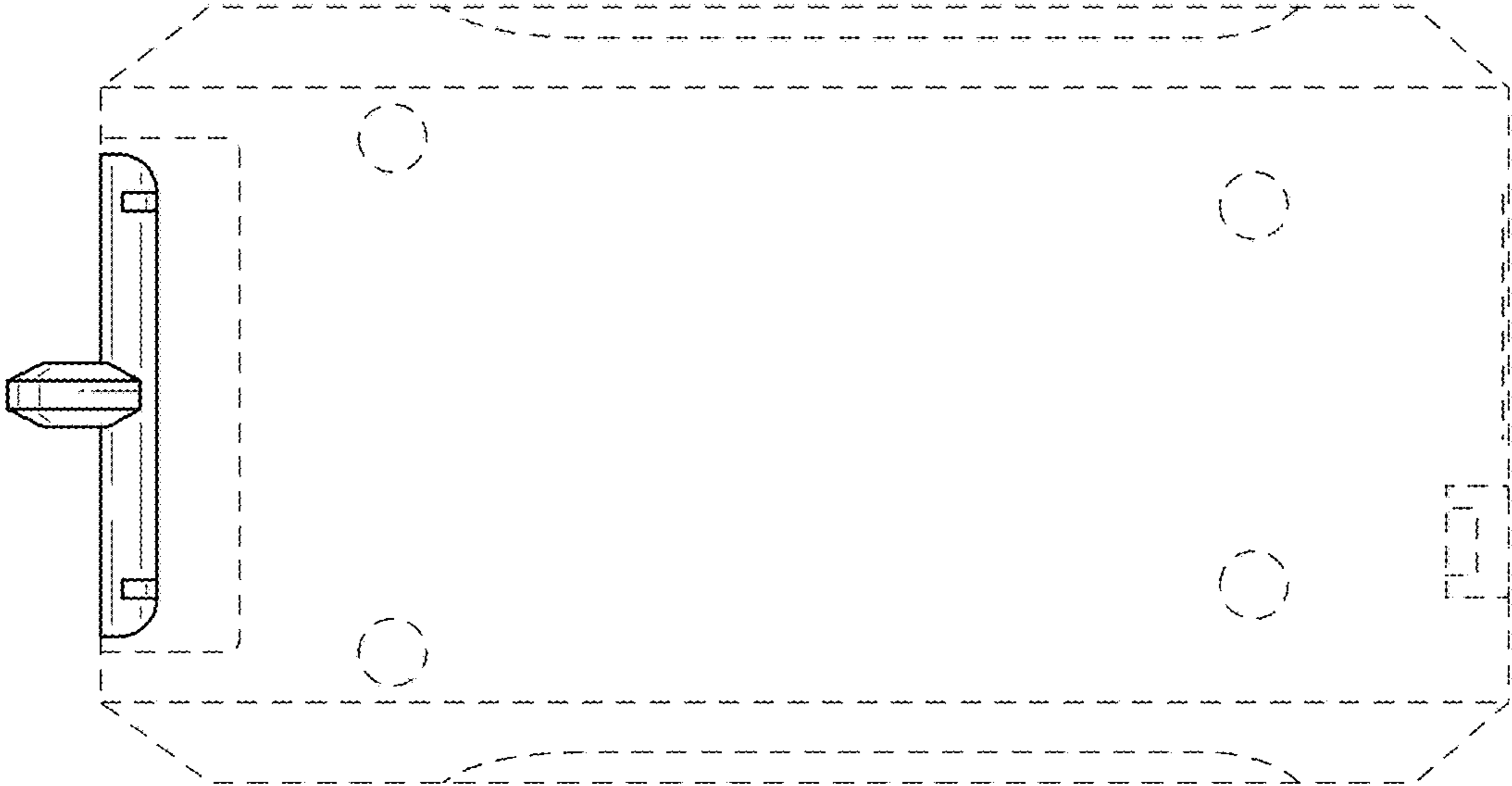


FIG. 4

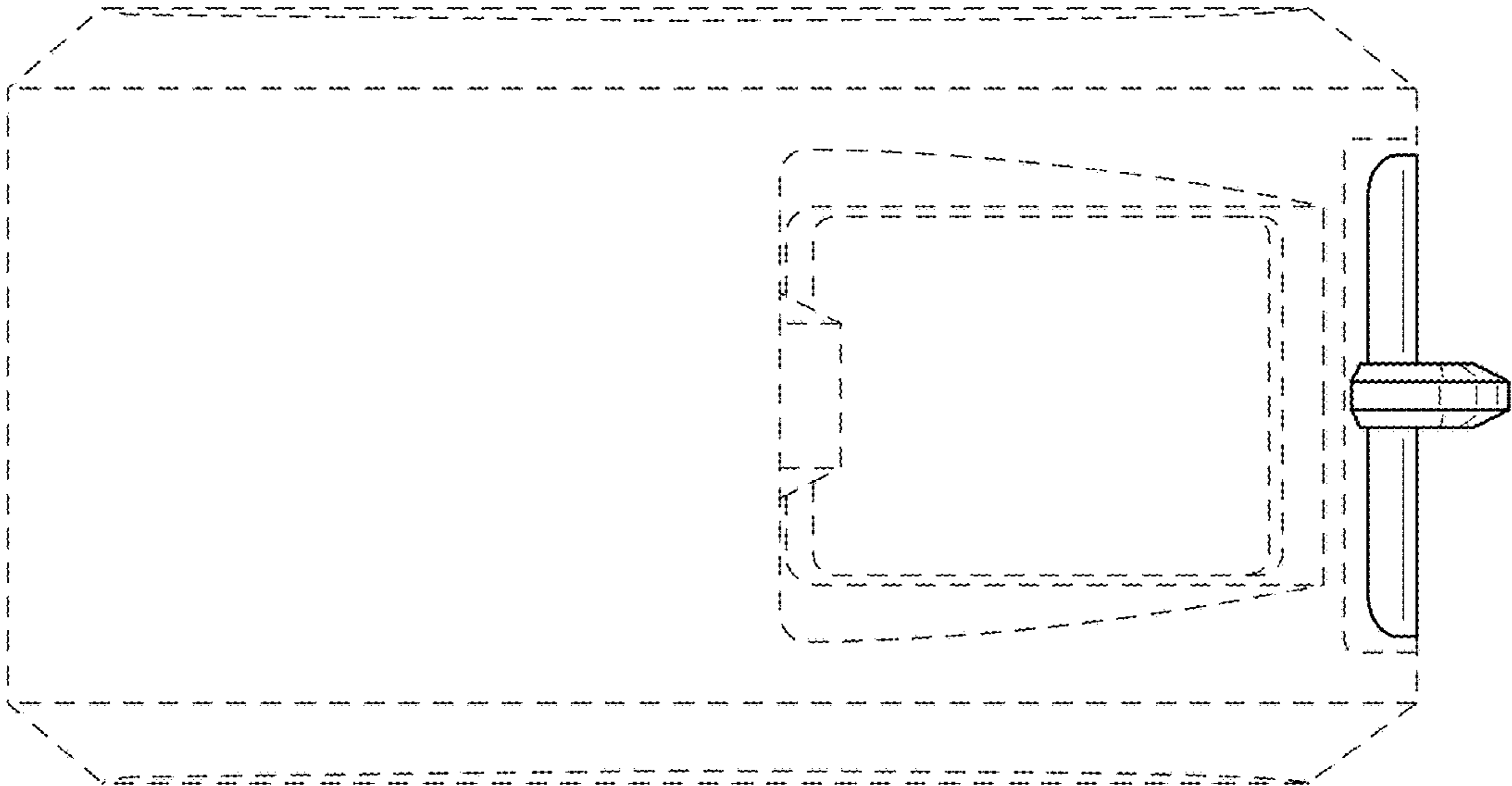


FIG. 5

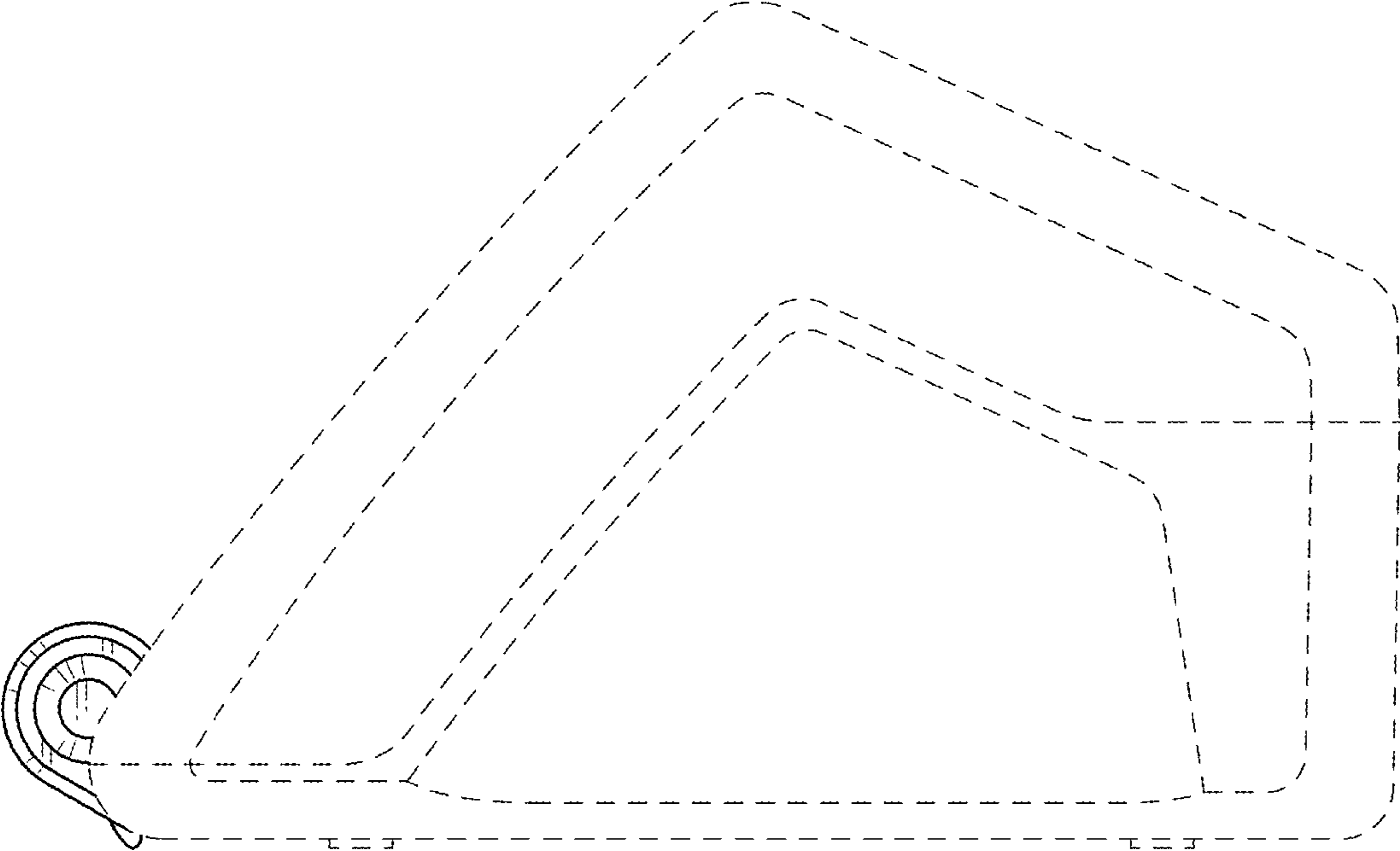


FIG. 6

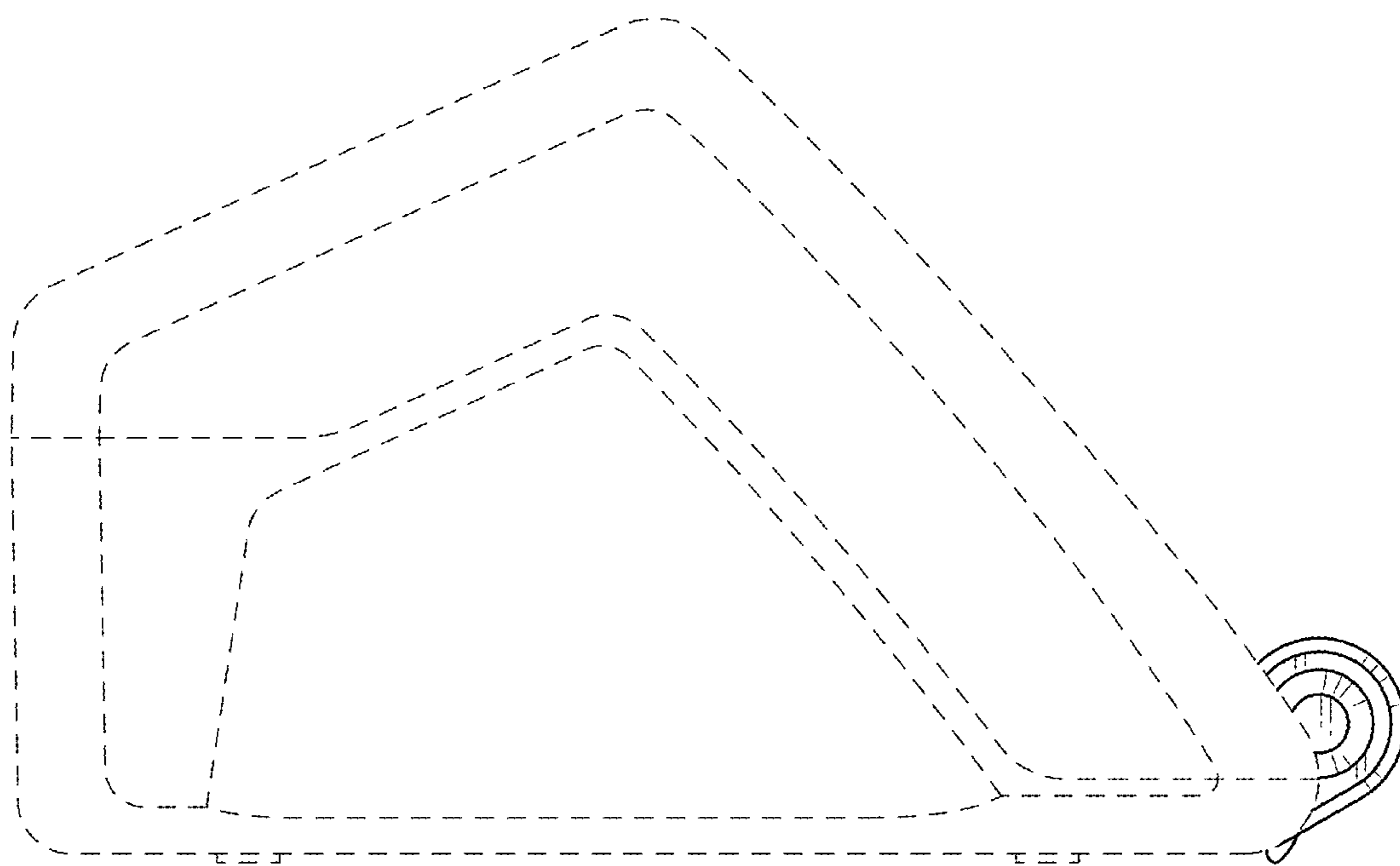


FIG. 7

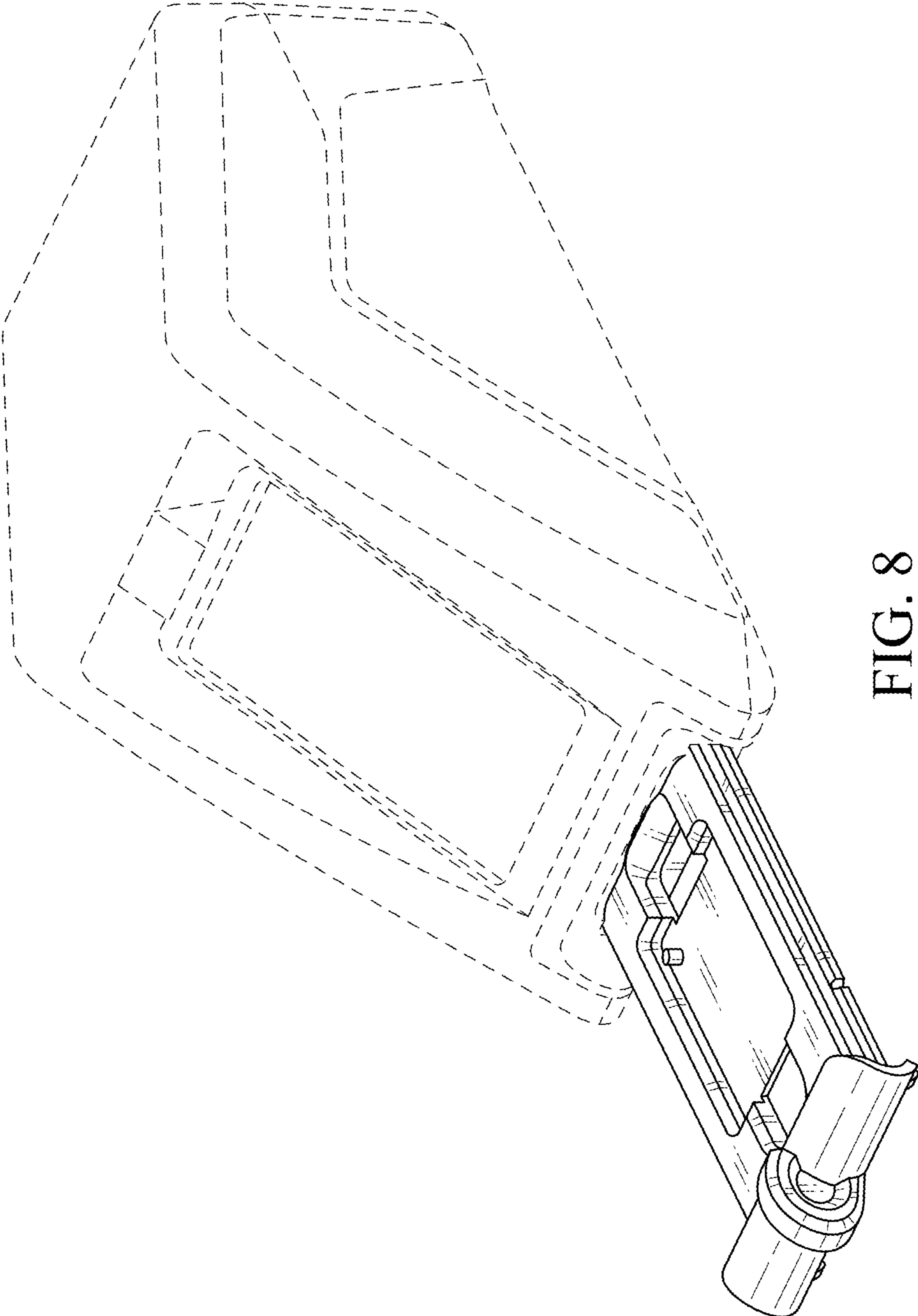


FIG. 8

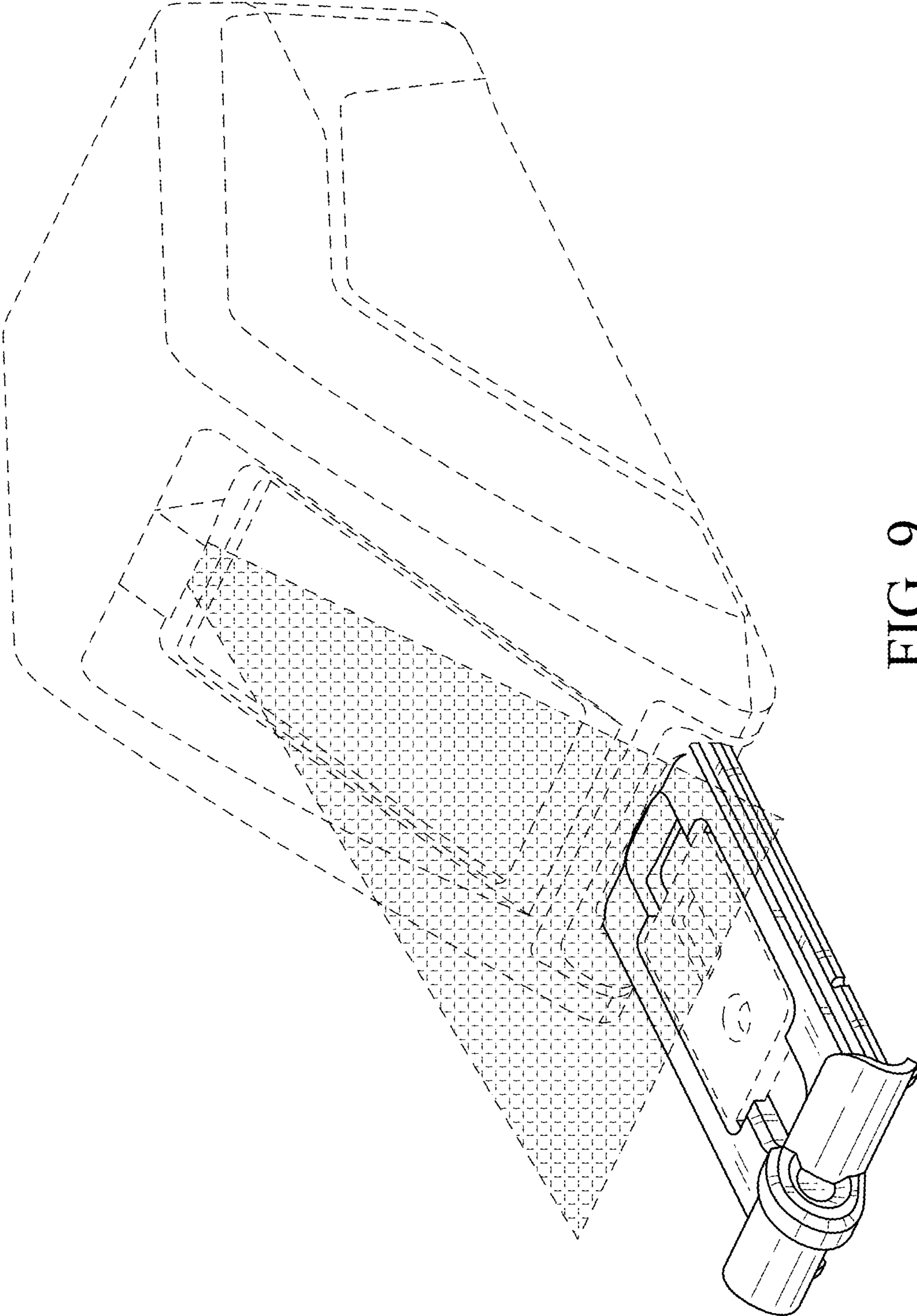


FIG. 9

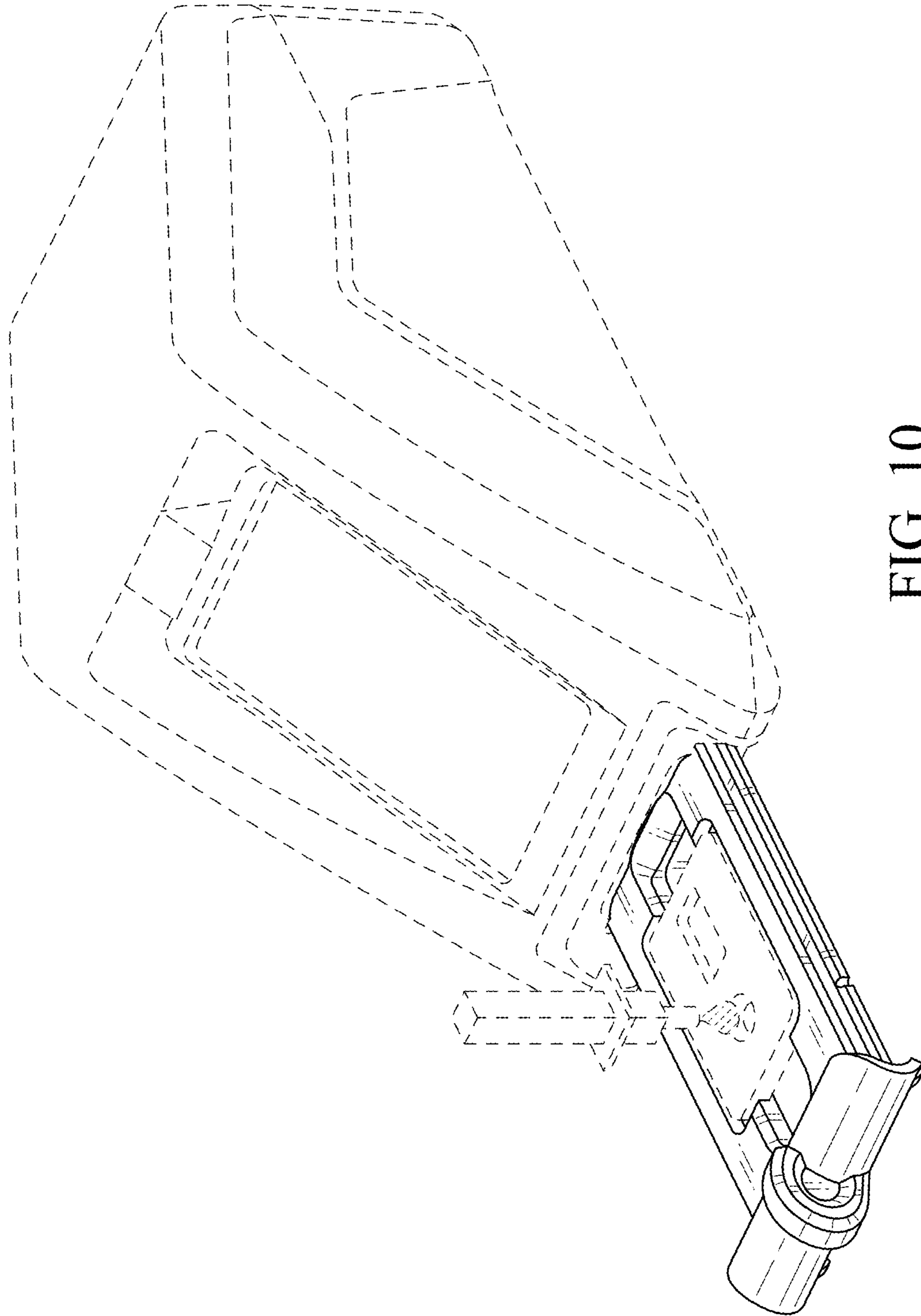


FIG. 10