



US00D851771S

(12) **United States Design Patent**
Lehtonen

(10) **Patent No.:** **US D851,771 S**

(45) **Date of Patent:** **** Jun. 18, 2019**

- (54) **ORAL APPLIANCE**
- (71) Applicant: **LM-Instruments Oy**, Parainen (FI)
- (72) Inventor: **Kari Lehtonen**, Parainen (FI)
- (73) Assignee: **Planmeca OY**, Helsinki (FI)
- (**) Term: **15 Years**
- (21) Appl. No.: **29/603,476**
- (22) Filed: **May 10, 2017**

Related U.S. Application Data

- (62) Division of application No. 35/500,185, filed on Sep. 25, 2015 (U.S. filing date under 35 U.S.C. 384), and having an international filing date of Sep. 25, 2015, now Pat. No. Des. 790,068.

- (51) **LOC (11) Cl.** **24-02**
- (52) **U.S. Cl.**
USPC **D24/180**
- (58) **Field of Classification Search**
USPC D24/152, 156, 176-181; 433/6, 18-19,
433/24, 140, 215; 128/859-862
CPC A61C 7/00; A61C 7/08
See application file for complete search history.

(56) **References Cited**

U.S. PATENT DOCUMENTS

- 3,510,946 A * 5/1970 Kesling A61C 7/08
433/6
- 4,055,895 A * 11/1977 Huge A61C 7/08
128/861

- 4,253,828 A * 3/1981 Coles A61C 7/08
433/6
- D281,904 S * 12/1985 Linkow D24/156
- D282,580 S * 2/1986 Linkow D24/156
- 4,591,341 A * 5/1986 Andrews A61C 7/08
433/187
- D304,370 S * 10/1989 Bowbeer D24/180
- D323,215 S * 1/1992 Bergersen D24/180
- 5,876,199 A * 3/1999 Bergersen A61C 7/08
433/6
- 6,790,036 B2 * 9/2004 Graham A61C 7/08
128/859
- 7,963,765 B2 * 6/2011 Bergersen A61C 7/08
433/6
- D731,660 S * 6/2015 Luco D24/180

* cited by examiner

Primary Examiner — Wan Laymon

(74) *Attorney, Agent, or Firm* — Fay Sharpe LLP

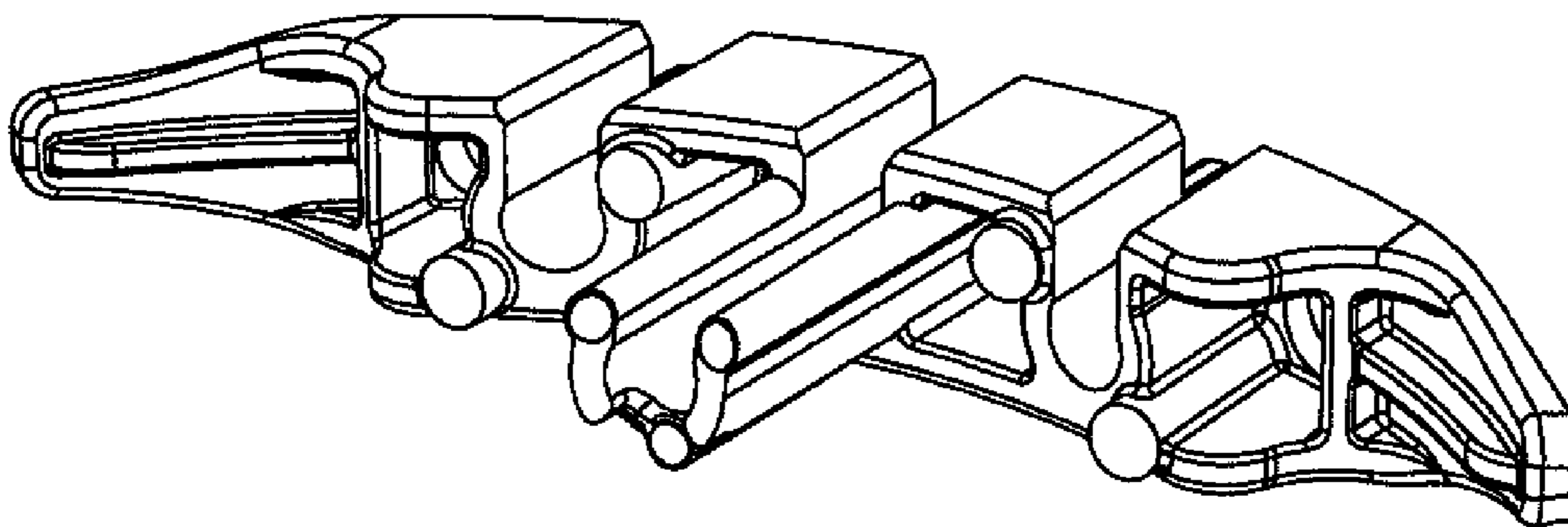
(57) **CLAIM**

The ornamental design for an oral appliance, as shown and described.

DESCRIPTION

FIG. 1 is a rear view of an oral appliance;
FIG. 2 is an enlarged right side view thereof;
FIG. 3 is an enlarged left side view thereof;
FIG. 4 is a front view thereof;
FIG. 5 is a top view thereof;
FIG. 6 is a bottom view thereof; and,
FIG. 7 is a rear bottom perspective view thereof.

1 Claim, 7 Drawing Sheets



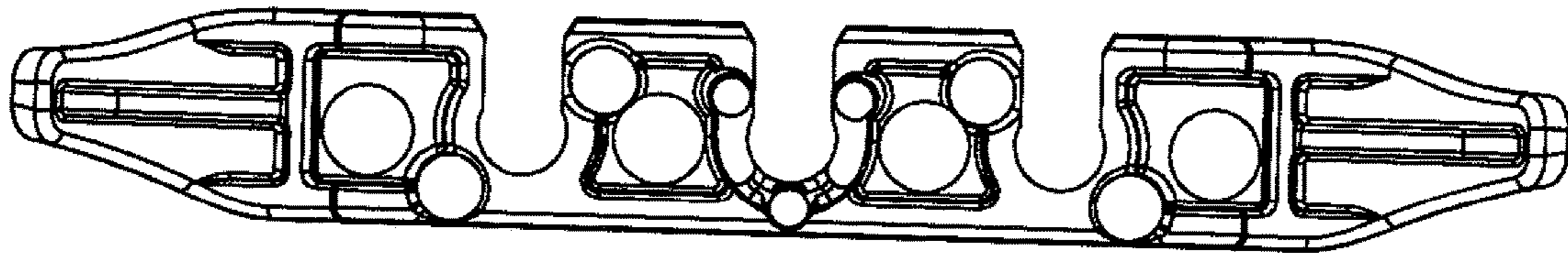


FIGURE 1

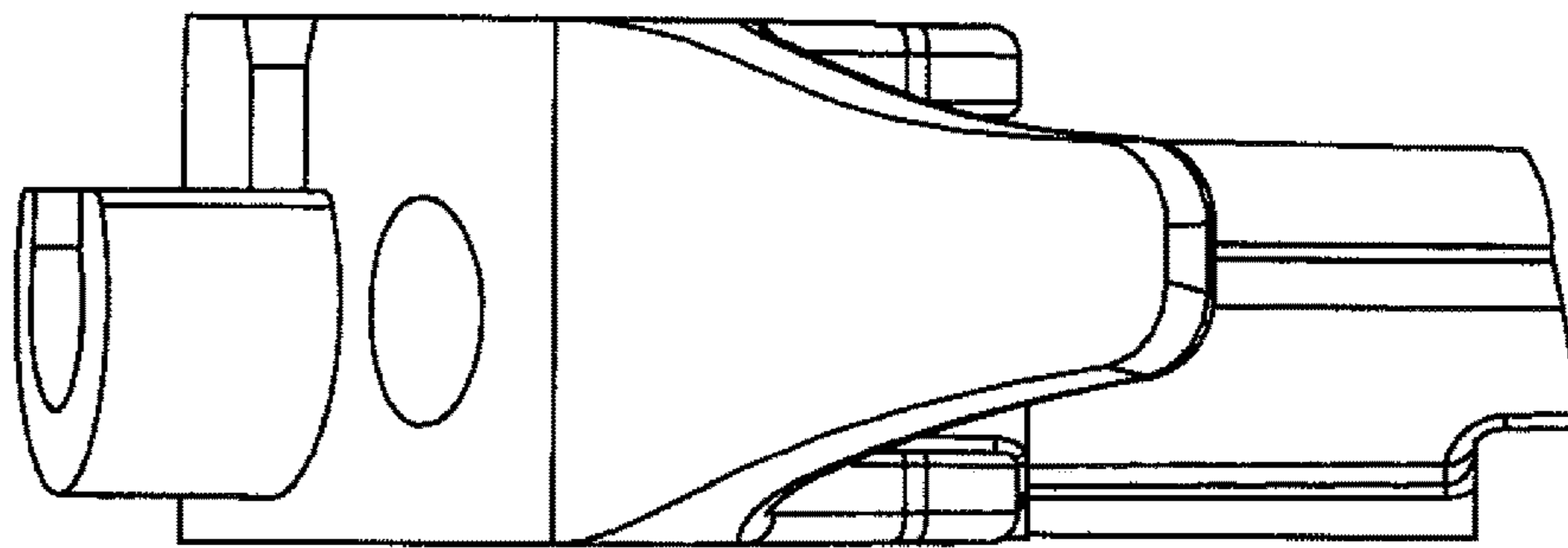


FIGURE 2

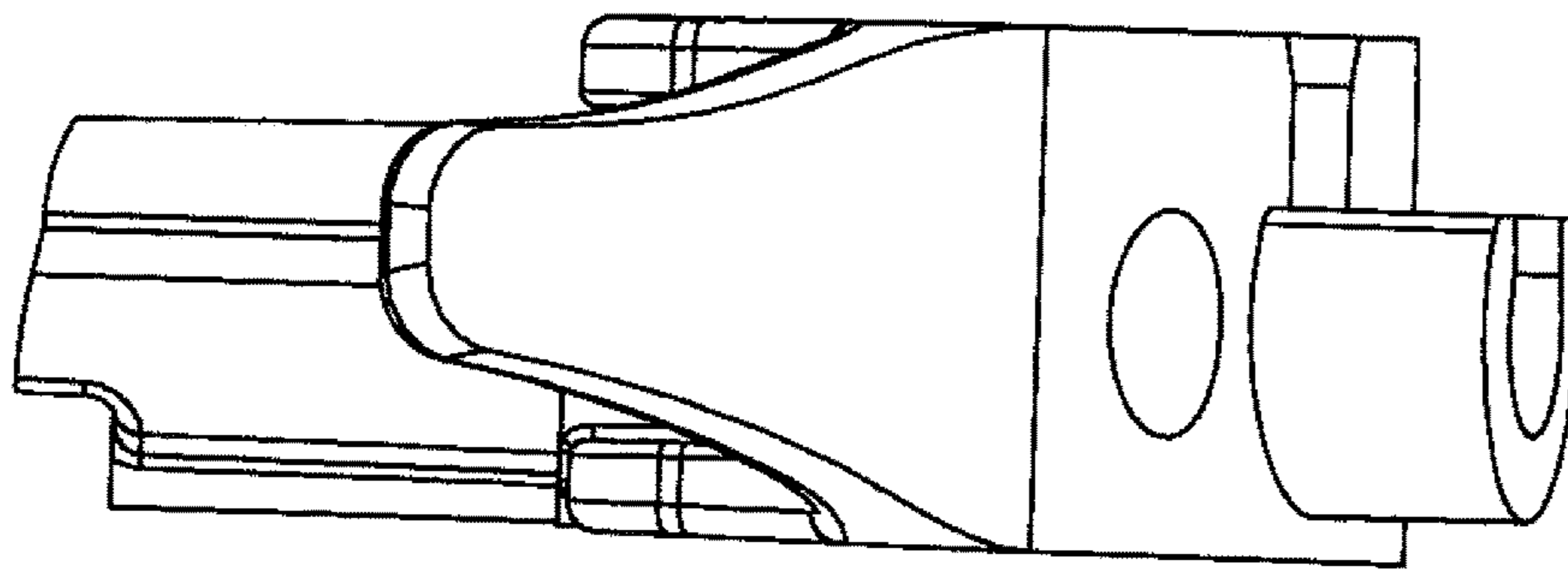


FIGURE 3

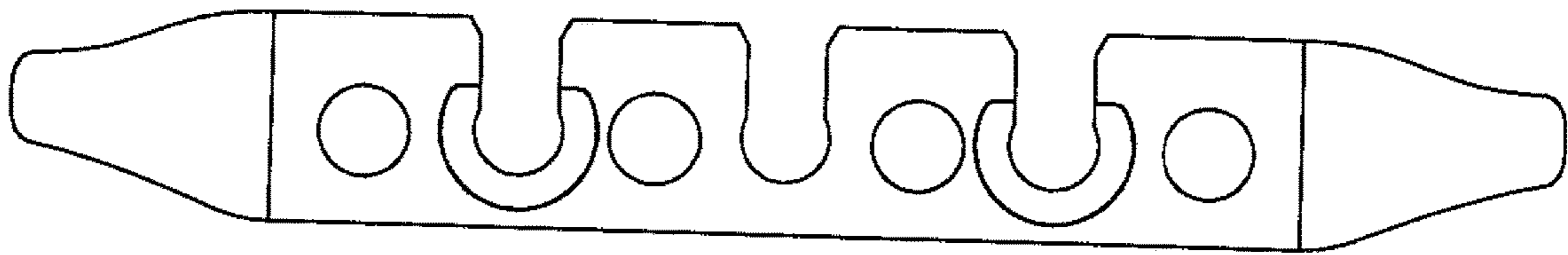


FIGURE 4

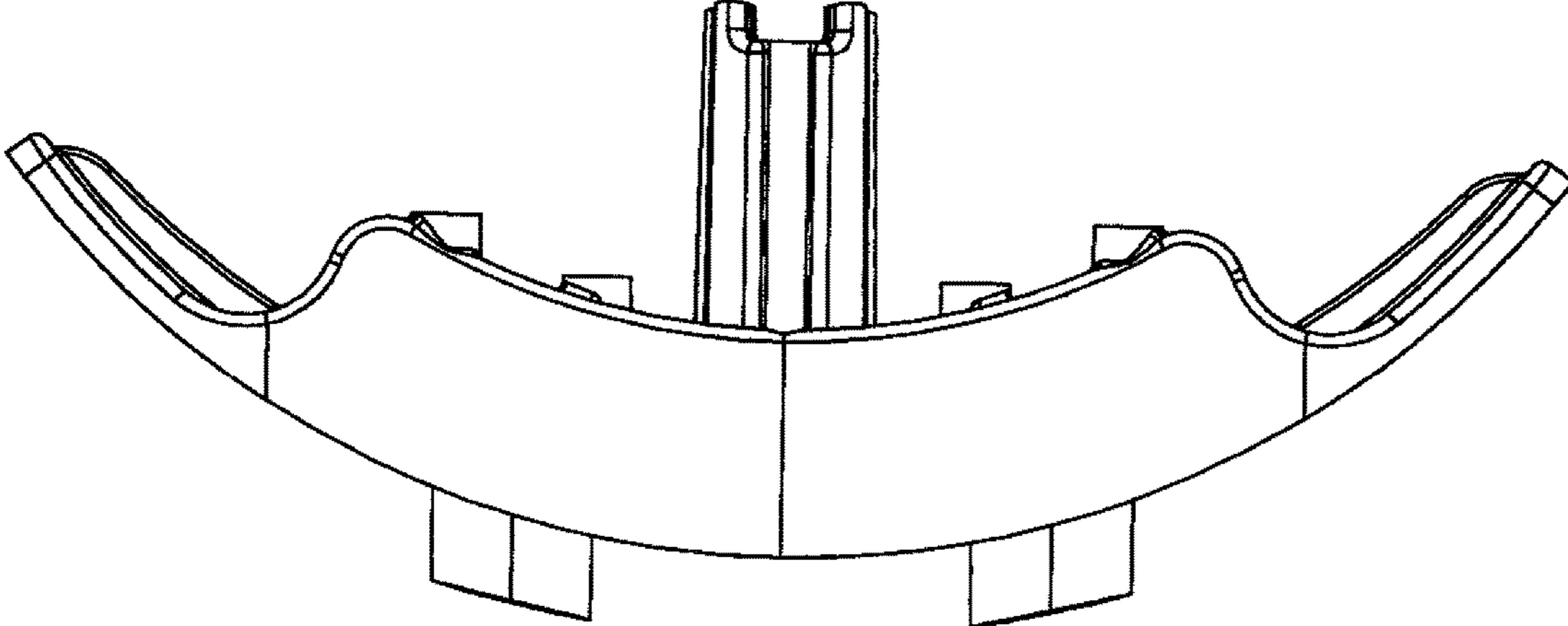


FIGURE 5

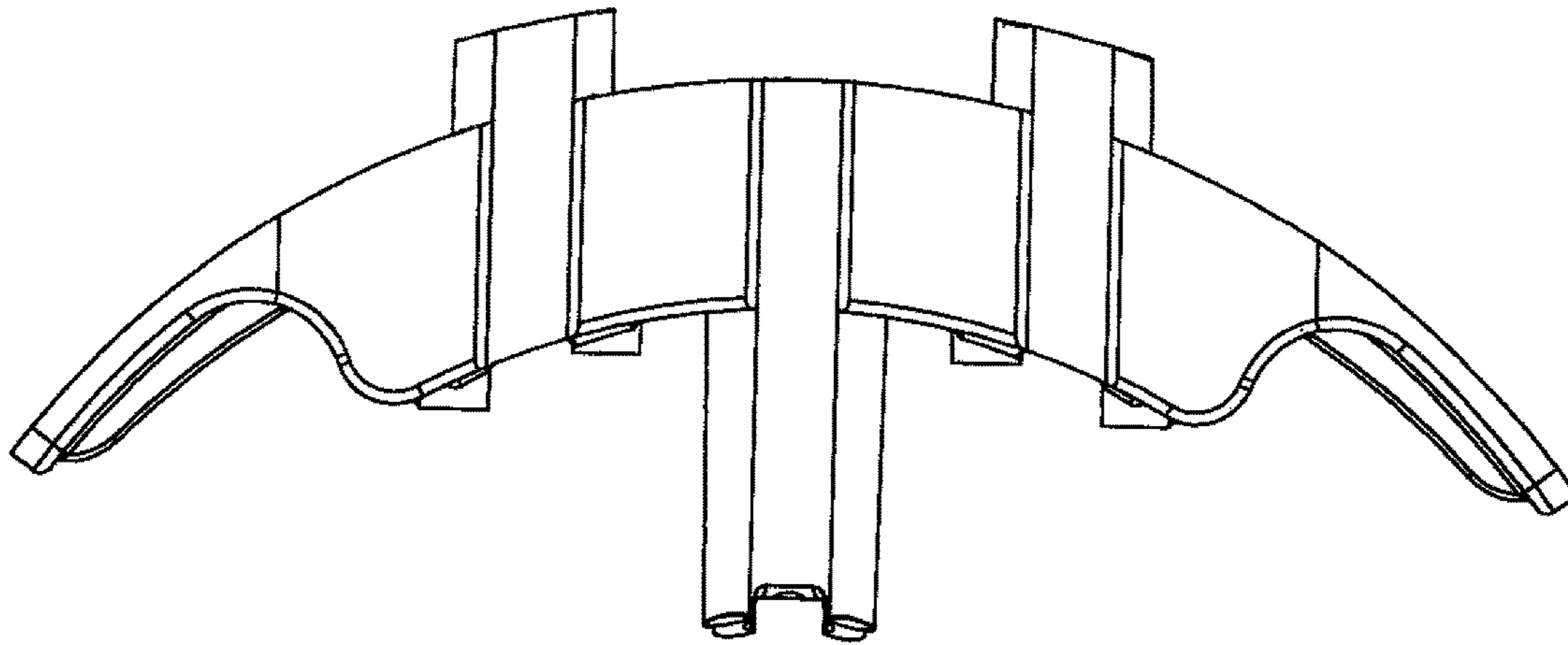


FIGURE 6

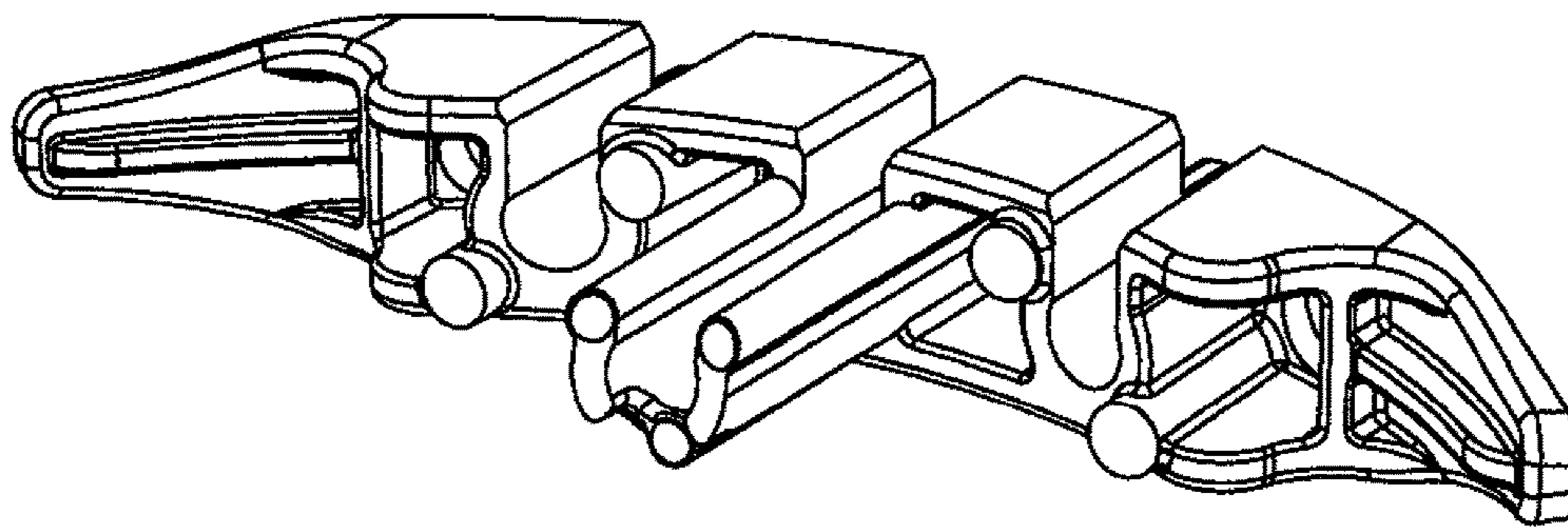


FIGURE 7