



US00D851764S

(12) **United States Design Patent** (10) **Patent No.:** **US D851,764 S**  
**Termanini et al.** (45) **Date of Patent:** **\*\* Jun. 18, 2019**

(54) **ACETABULAR CUP LINER** 5,938,702 A \* 8/1999 Lopez ..... A61F 2/468  
623/22.24  
(71) Applicant: **JOINT INNOVATION** 7,267,693 B1 \* 9/2007 Mandell ..... A61F 2/30721  
**TECHNOLOGY, LLC.**, Boca Raton, 623/22.28  
FL (US) D618,800 S \* 6/2010 Mayon ..... D24/155  
8,308,811 B2 \* 11/2012 Newsome ..... A61F 2/30721  
623/22.21  
(72) Inventors: **Zafer Termanini**, Port Saint Lucie, FL 8,372,155 B2 \* 2/2013 Tuke ..... A61F 2/34  
(US); **George A. Diamantoni**, Boca 623/22.21  
Raton, FL (US); **Brian Vanhiel**,  
Smyrna, GA (US); **Taylor Davis**,  
Atlanta, GA (US) 8,641,771 B2 \* 2/2014 Caylor, III ..... A61B 5/4528  
623/22.28  
9,144,497 B2 \* 9/2015 Sun ..... A61F 2/34

(73) Assignee: **JOINT INNOVATION**  
**TECHNOLOGY, LLC.**, Boca Raton,  
FL (US)

*Primary Examiner* — Charles D Hanson  
(74) *Attorney, Agent, or Firm* — Norris McLaughlin, PA

(\*\*) Term: **15 Years**

(57) **CLAIM**

(21) Appl. No.: **29/626,194**

The ornamental design for an acetabular cup liner, as shown and described.

(22) Filed: **Nov. 15, 2017**

(51) **LOC (11) Cl.** ..... **24-02**

(52) **U.S. Cl.**

USPC ..... **D24/155**

(58) **Field of Classification Search**

USPC ..... D24/155–157  
CPC ..... A61F 2/36; A61F 2/3662; A61F 2/30767;  
A61F 2/34; A61F 2002/3631; A61F  
2002/30332; A61F 2002/365; A61F  
2002/30507; A61F 2310/00029  
See application file for complete search history.

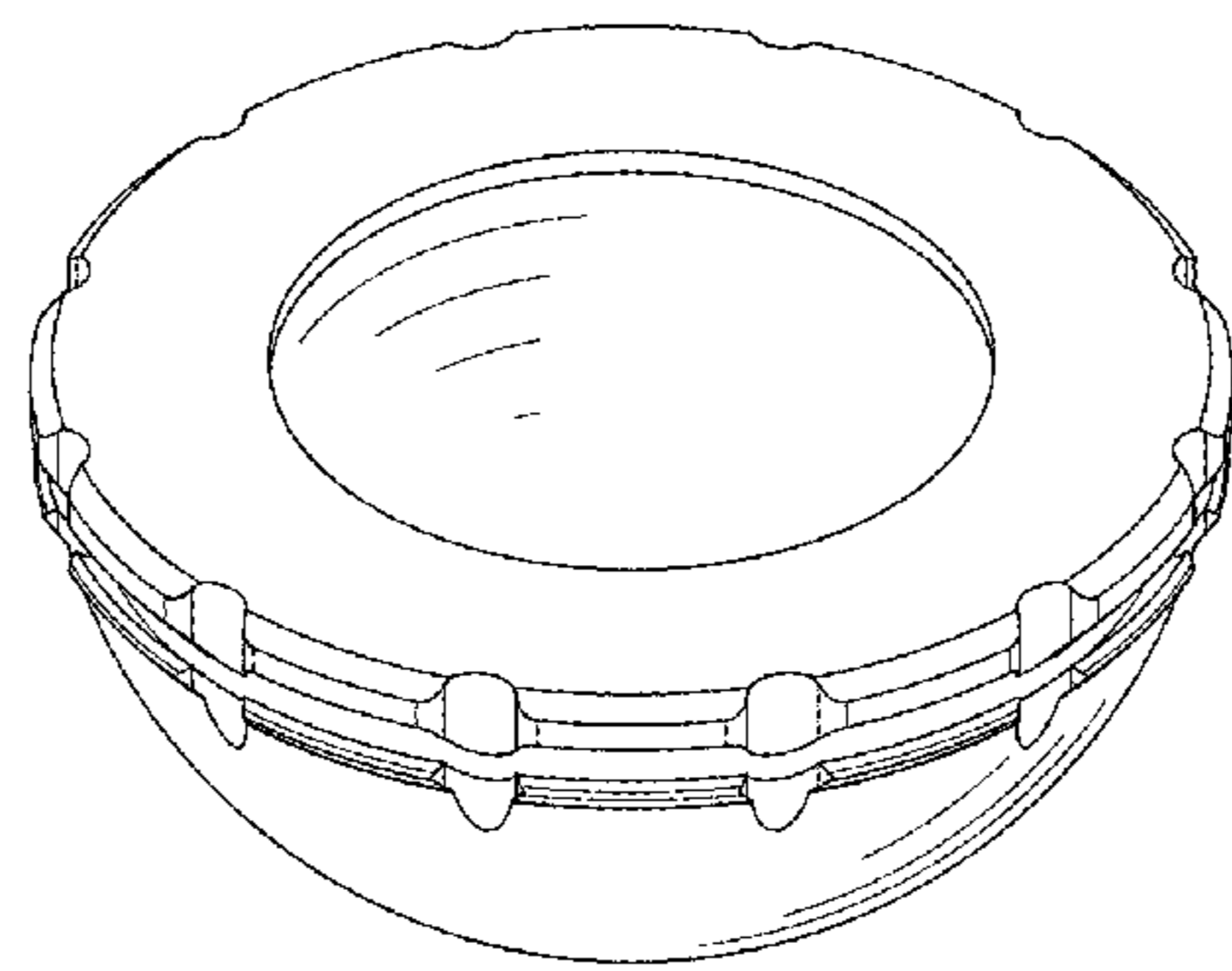
(56) **References Cited**

U.S. PATENT DOCUMENTS  
5,049,158 A \* 9/1991 Engelhardt ..... A61F 2/34  
403/326  
5,171,285 A \* 12/1992 Broderick ..... A61F 2/34  
623/22.25  
5,658,347 A \* 8/1997 Sarkisian ..... A61B 17/1666  
623/22.22  
5,904,688 A \* 5/1999 Gilbert ..... A61F 2/4609  
606/81

**DESCRIPTION**

FIG. 1 is a front perspective view of a first embodiment of an acetabular cup liner;  
FIG. 2 is a front elevational view thereof;  
FIG. 3 is a rear elevational view thereof;  
FIG. 4 is a first side elevational view thereof;  
FIG. 5 is a second side elevational view thereof;  
FIG. 6 is a top plan view thereof; and  
FIG. 7 is a bottom plan view thereof.  
FIG. 8 is a front perspective view of a second embodiment of an acetabular cup liner;  
FIG. 9 is a front elevational view thereof;  
FIG. 10 is a top plan view thereof;  
FIG. 11 is a rear side elevational view thereof;  
FIG. 12 is a first side elevational view thereof, the other side being identical with this view; and,  
FIG. 13 is a bottom plan view thereof.  
Portions of the figures enclosed in broken lines form no part of the claimed design.

**1 Claim, 13 Drawing Sheets**



(56)

**References Cited**

U.S. PATENT DOCUMENTS

9,180,013 B2 \* 11/2015 Grostefon ..... A61F 2/34  
9,220,599 B2 \* 12/2015 Meridew ..... A61F 2/34  
9,308,102 B2 \* 4/2016 McCarthy ..... A61F 2/4684  
D765,845 S \* 9/2016 Prybyla ..... D24/155  
9,820,853 B2 \* 11/2017 Meridew ..... A61F 2/32  
9,820,854 B2 \* 11/2017 Preuss ..... A61F 2/34  
9,931,213 B2 \* 4/2018 Sartawi ..... A61F 2/34  
9,987,148 B2 \* 6/2018 Li ..... A61F 2/4609

\* cited by examiner

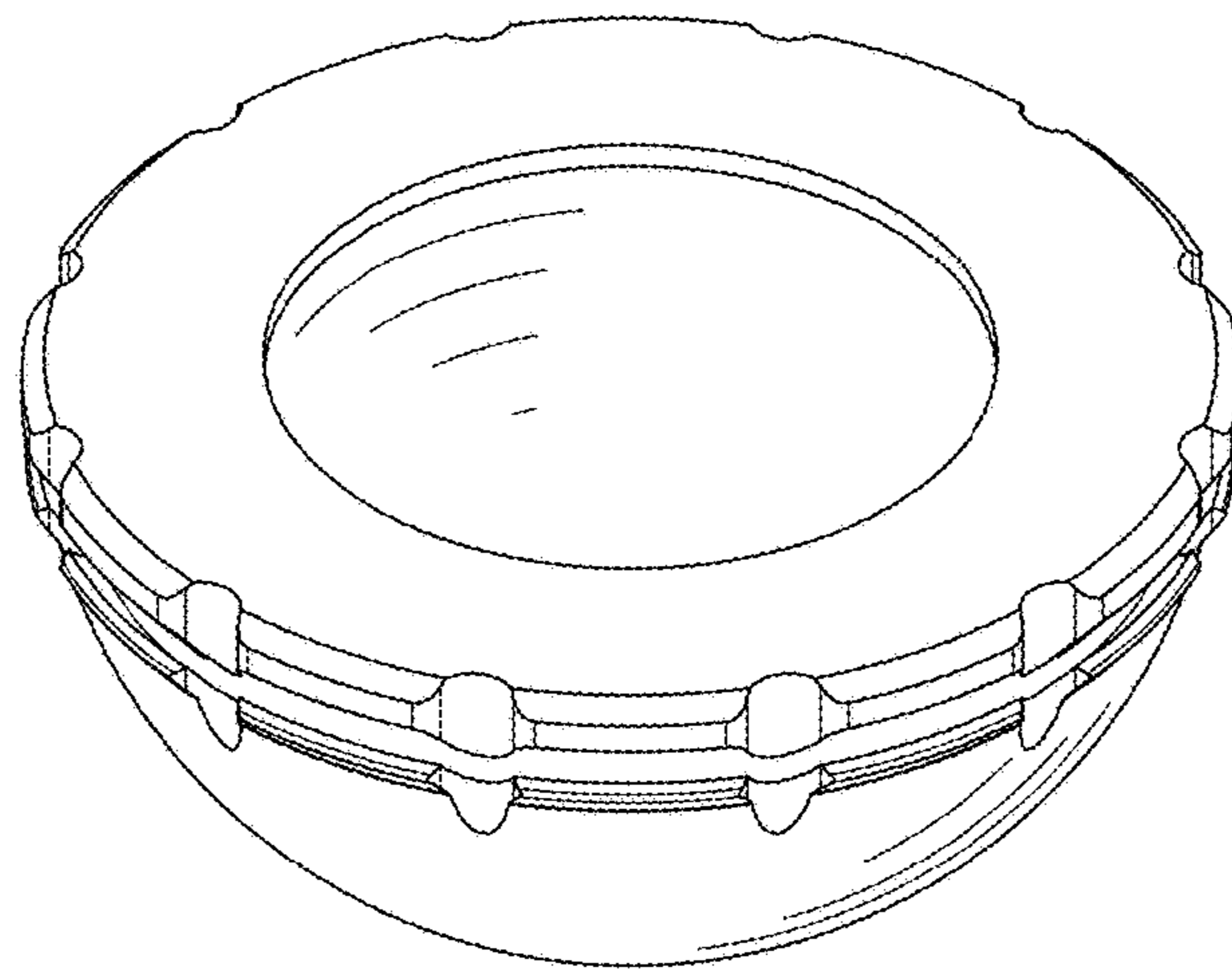


FIG.1

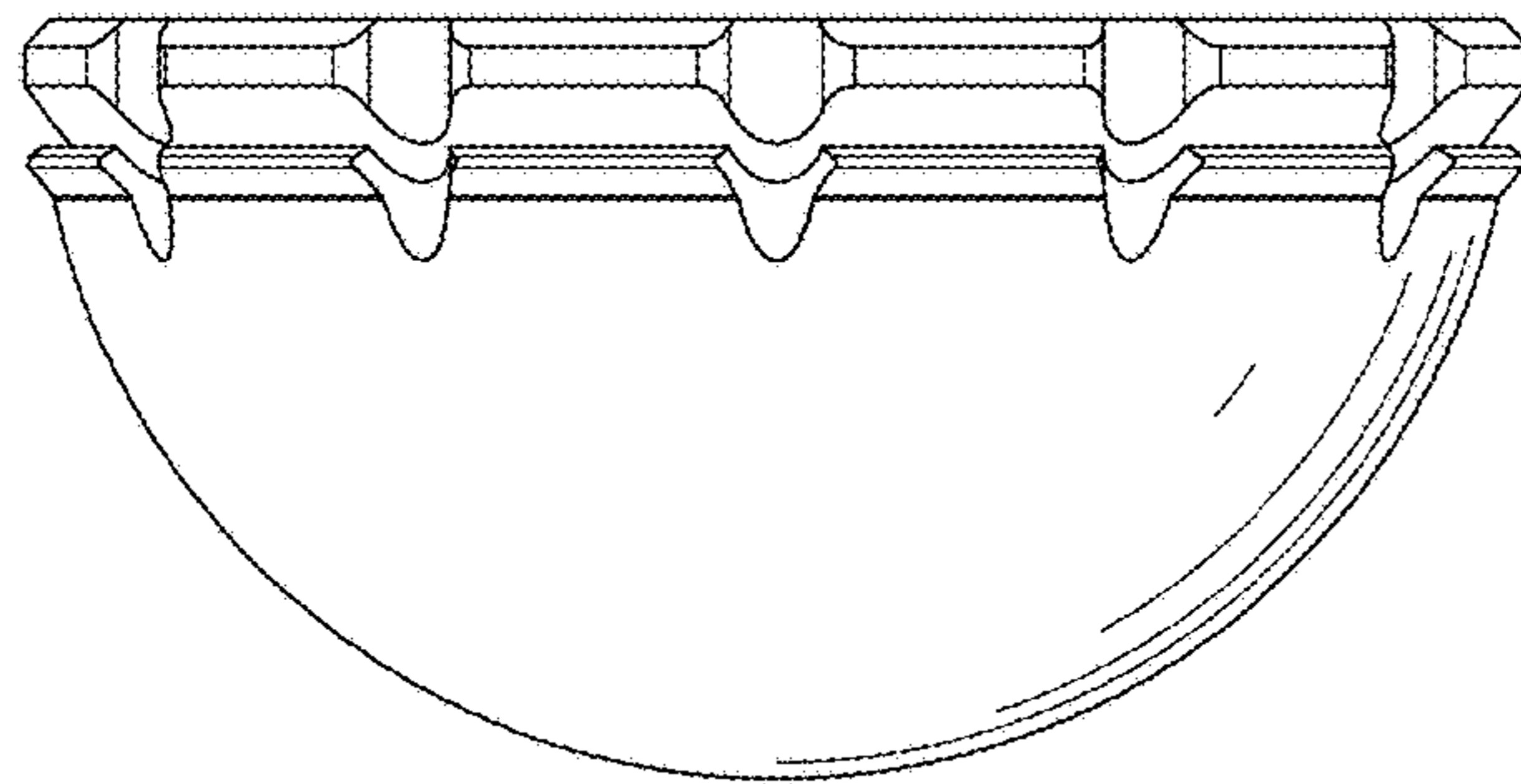


FIG. 2

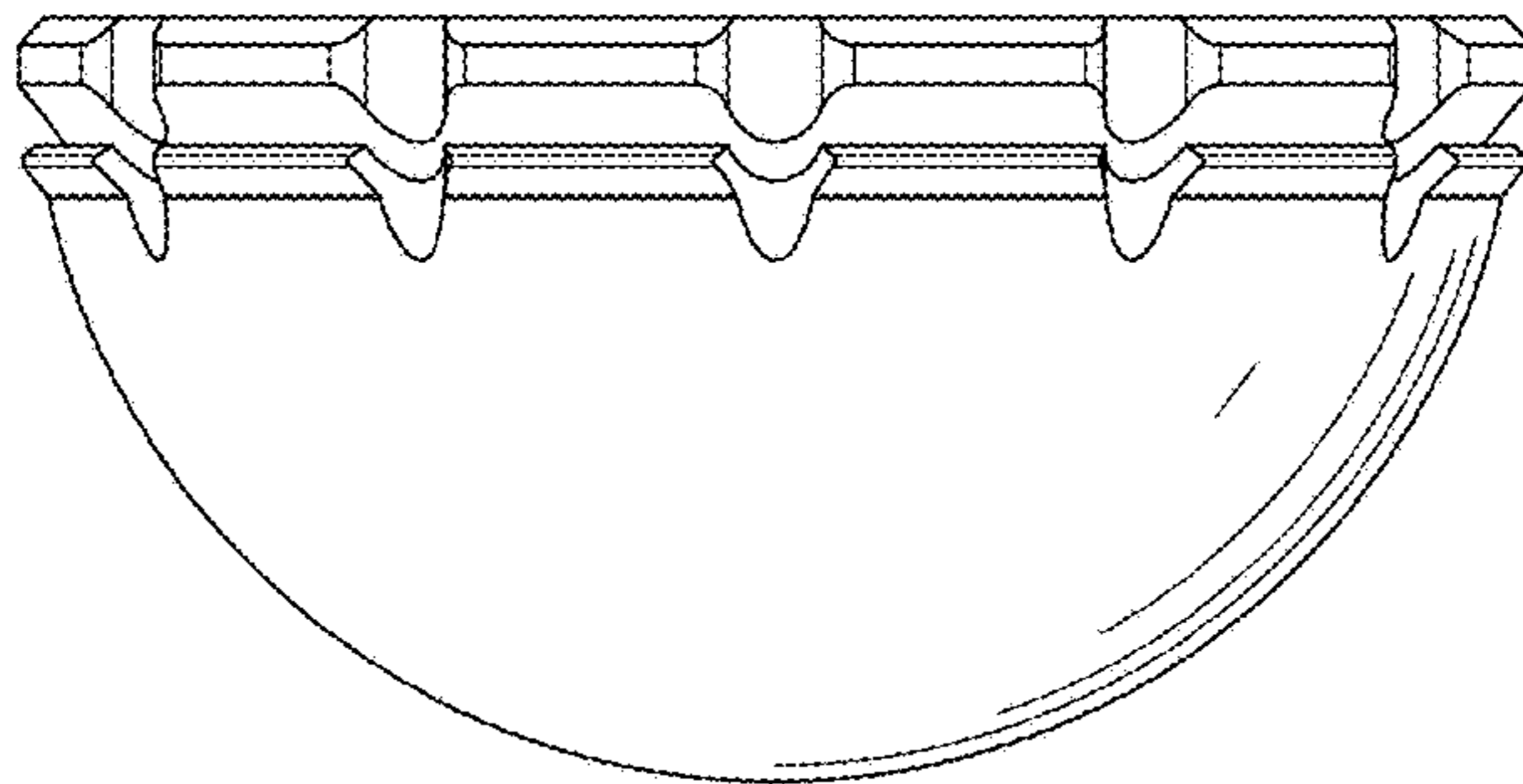


FIG. 3

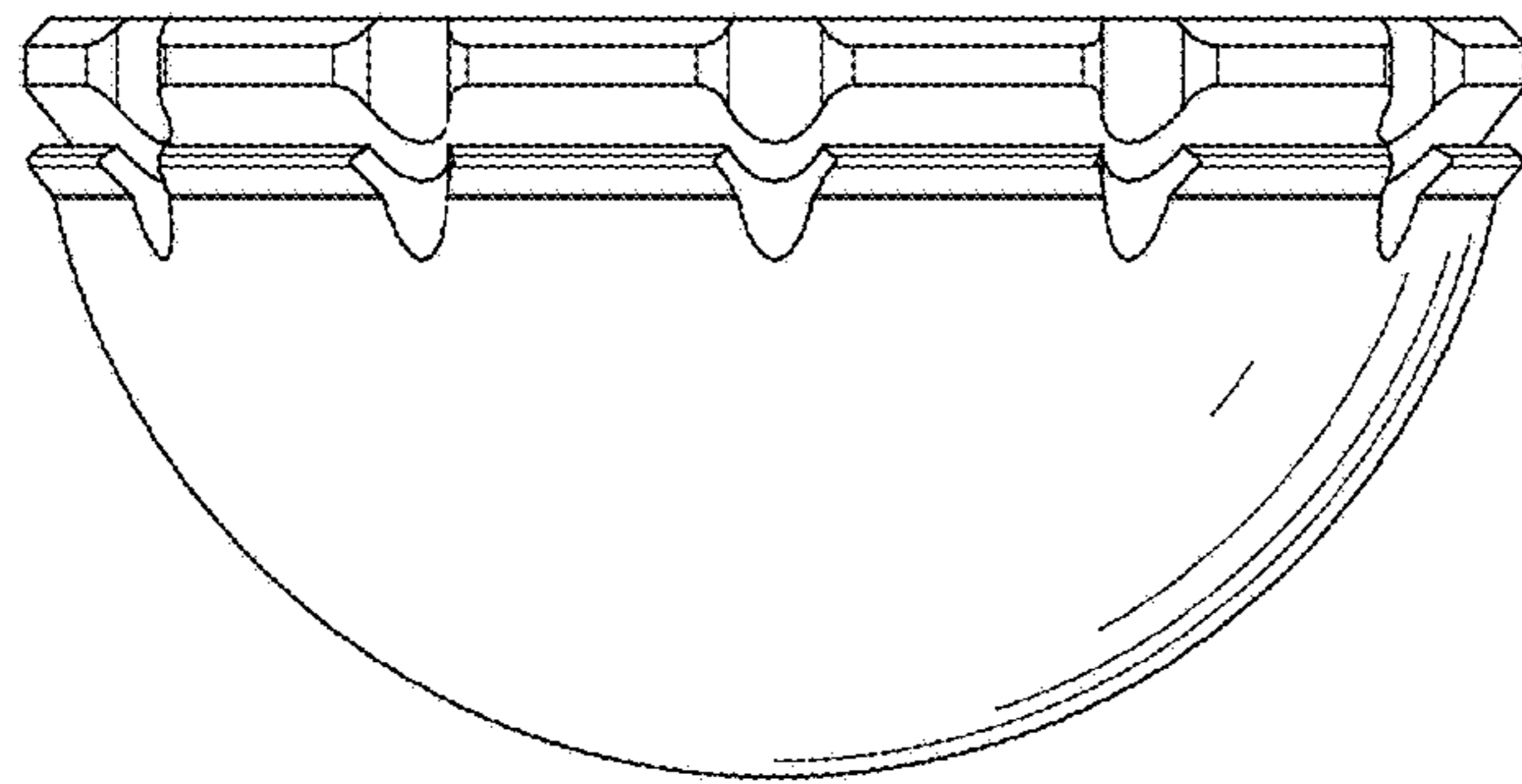


FIG. 4

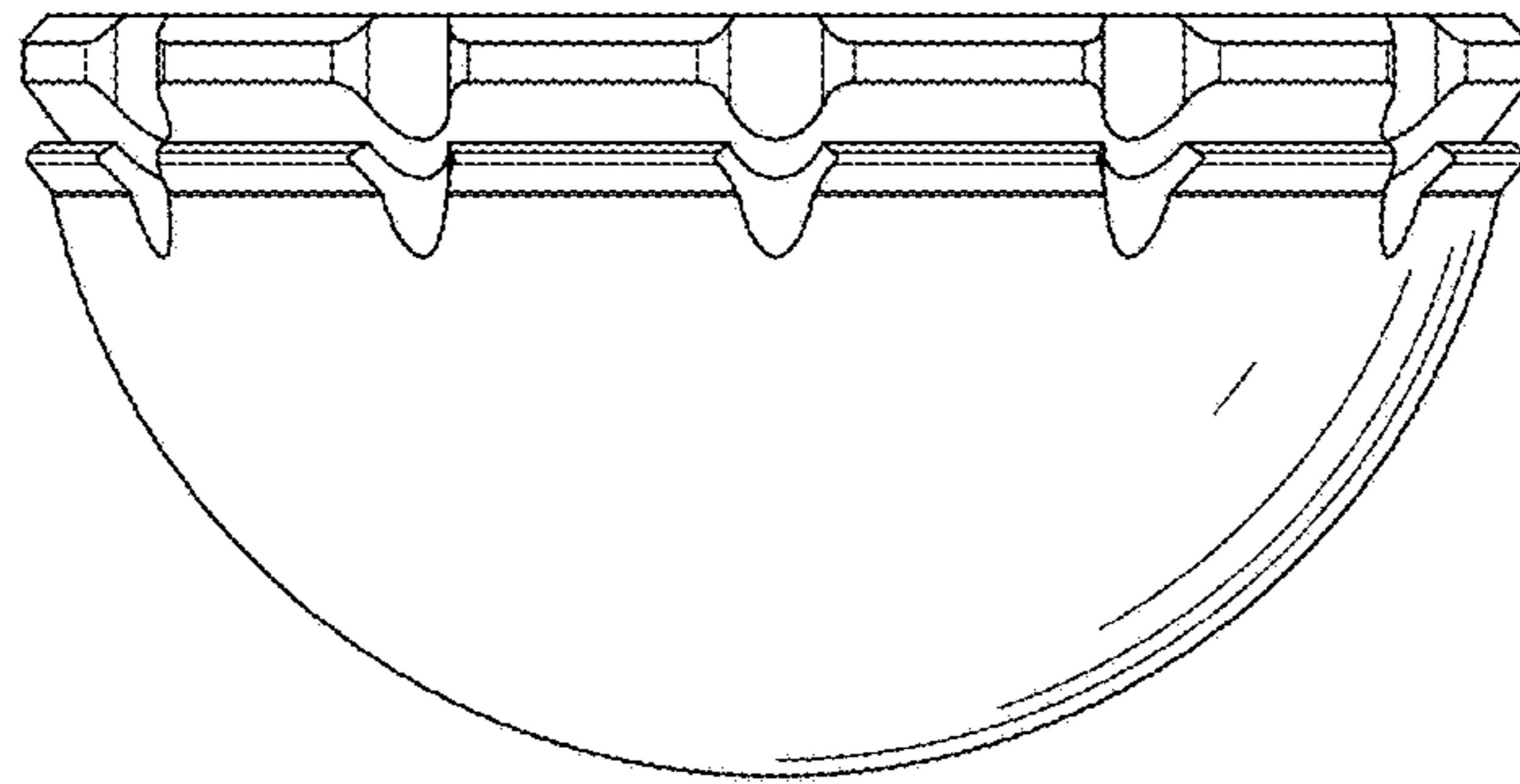


FIG. 5

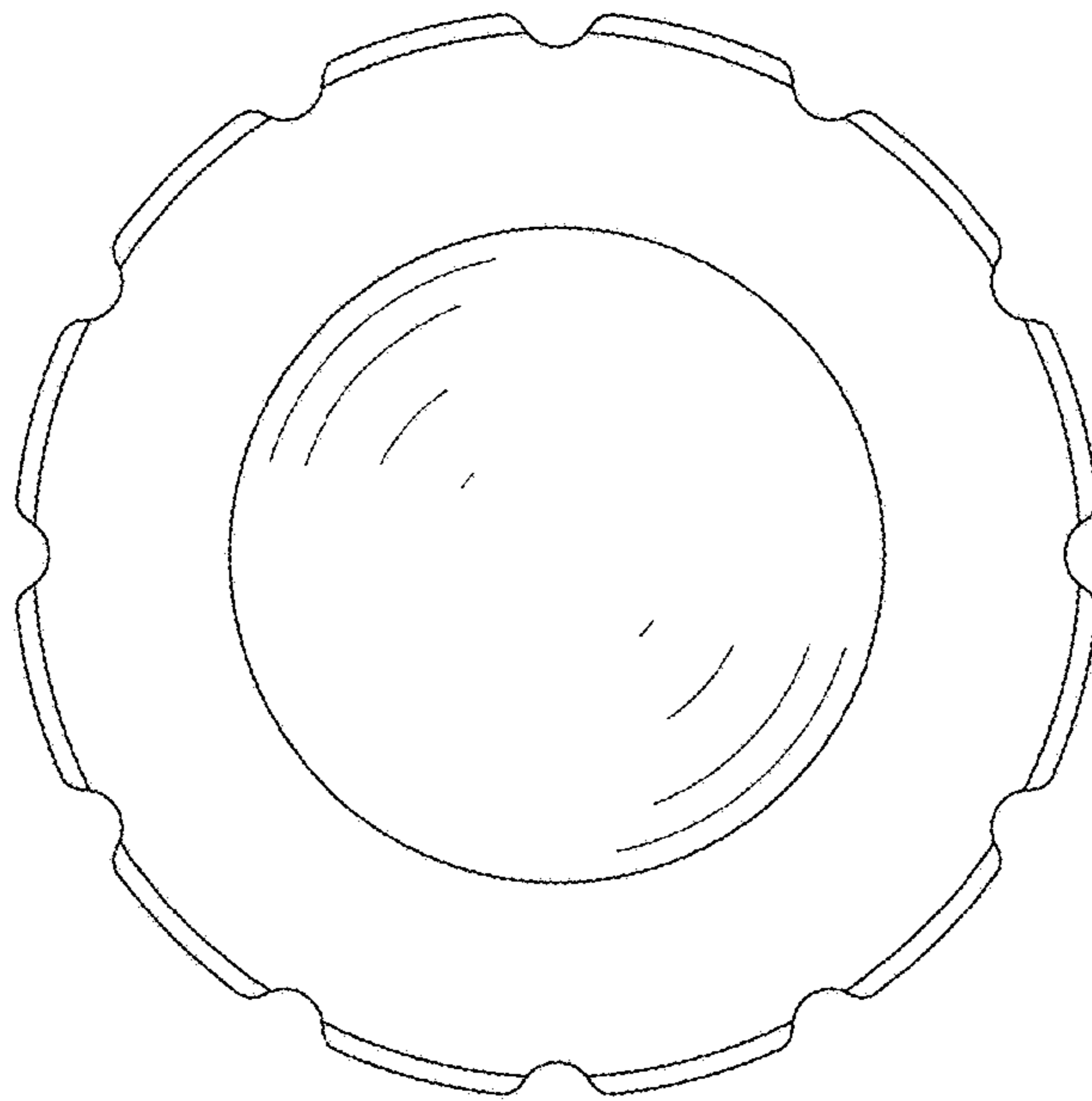


FIG. 6



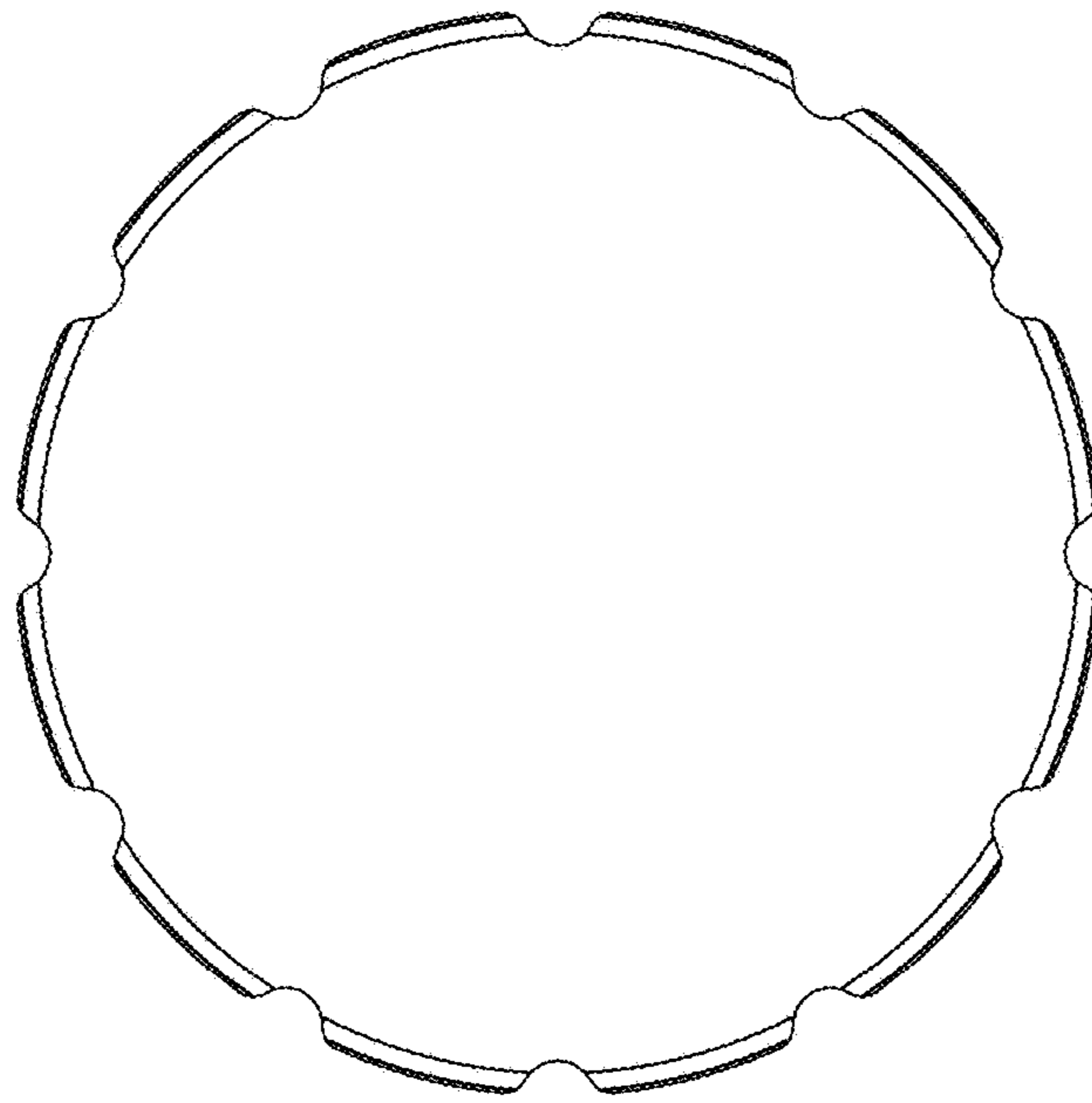


FIG. 7

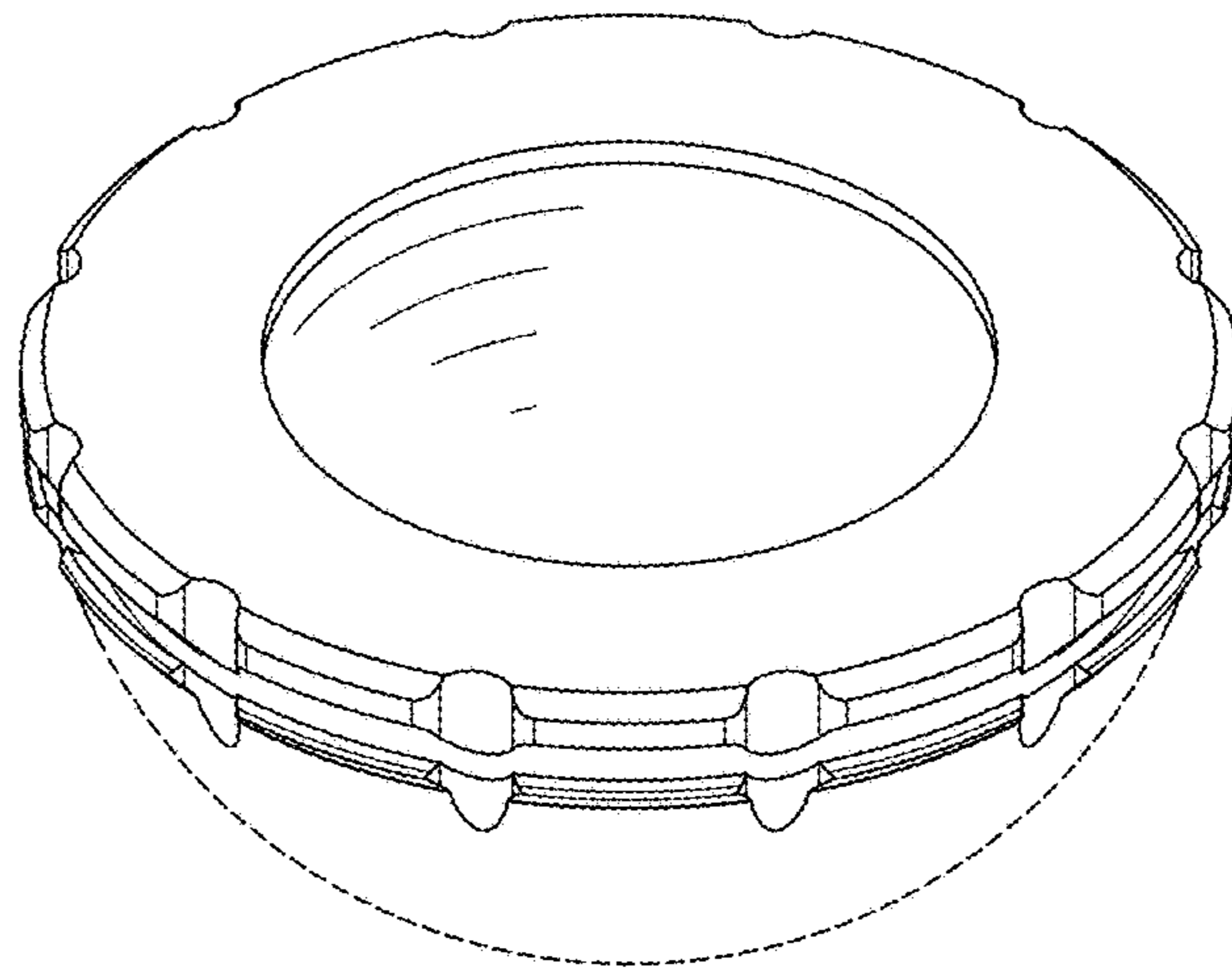


FIG.8

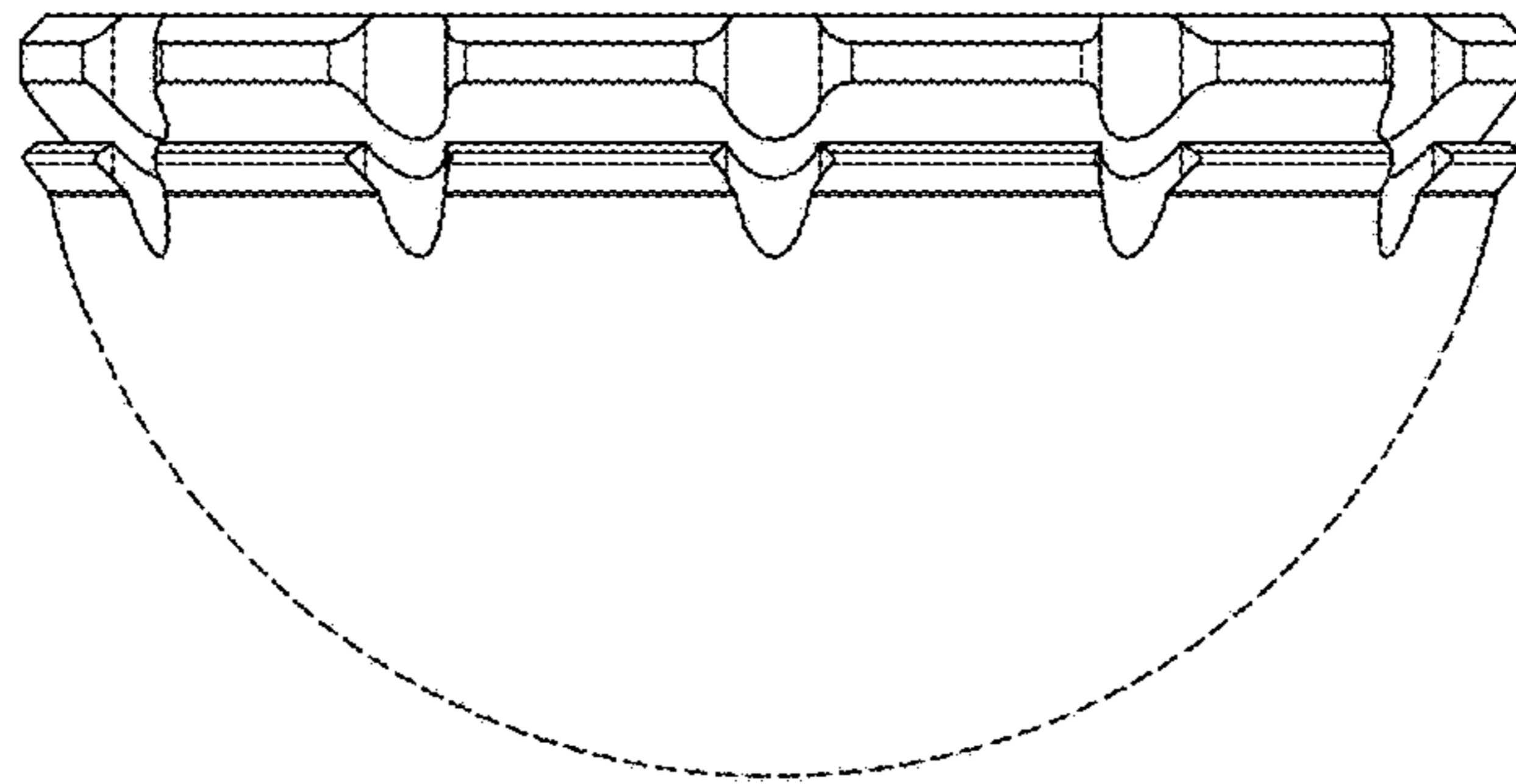


FIG.9

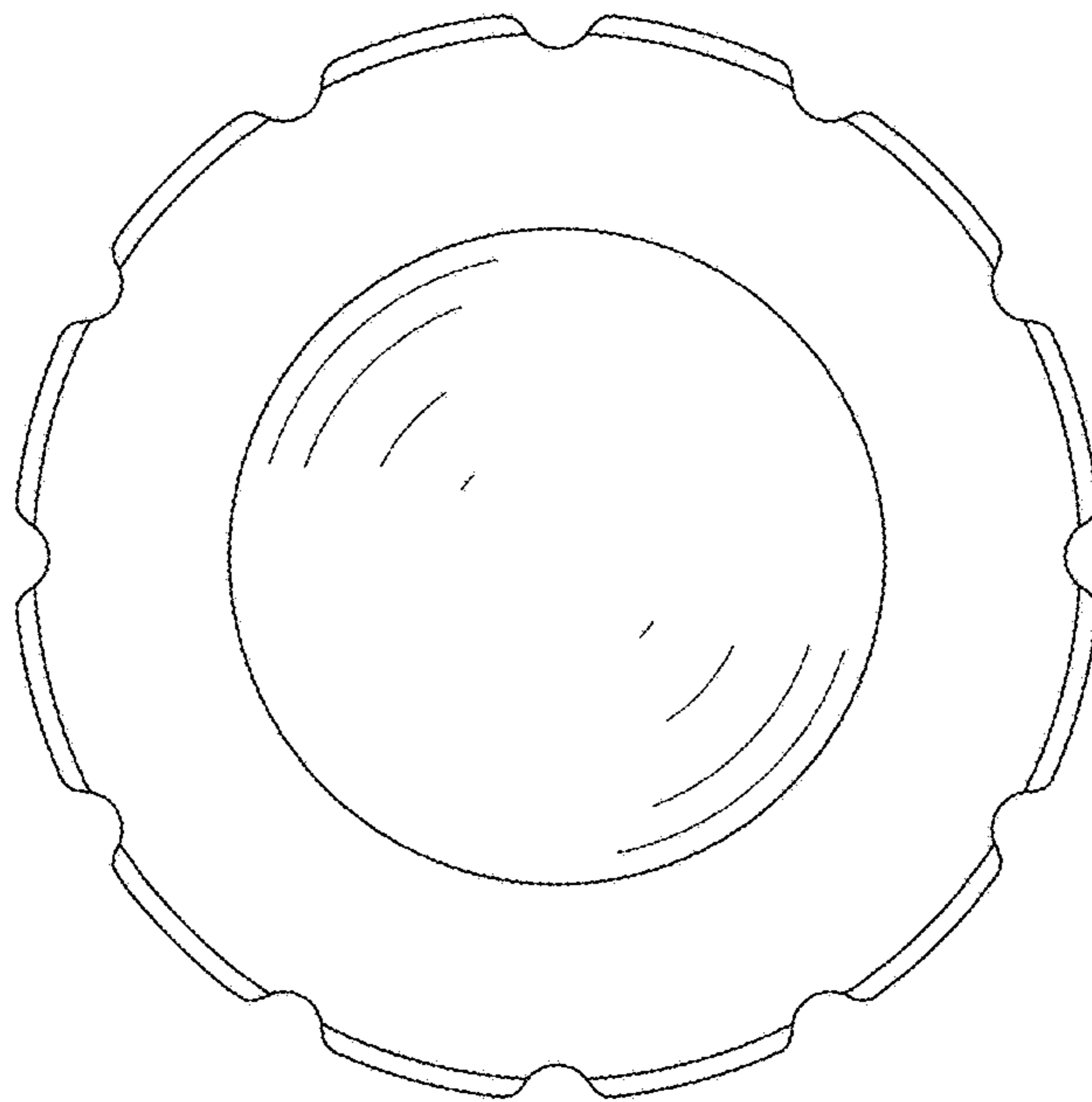


FIG. 10

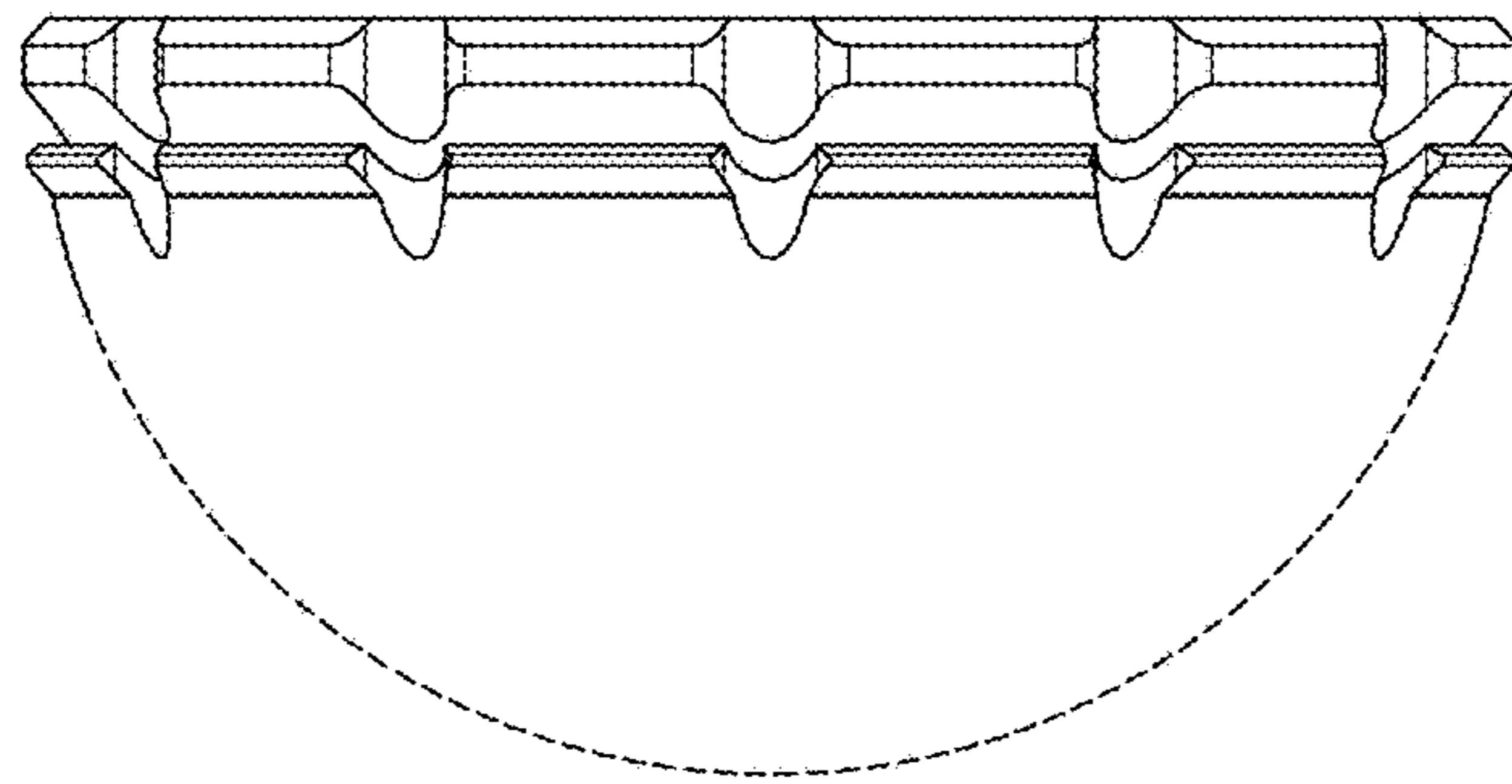


FIG. 11

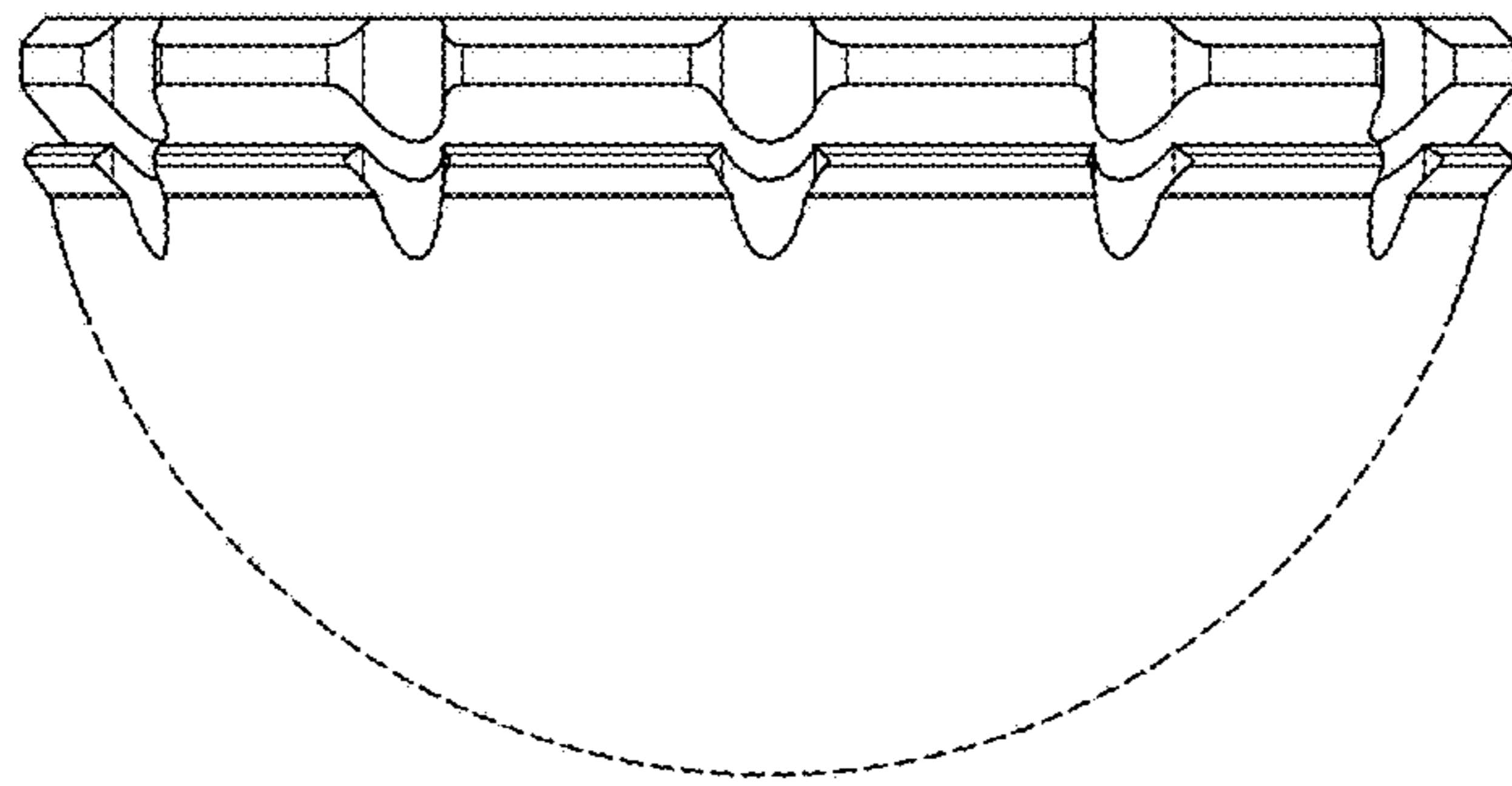


FIG.12

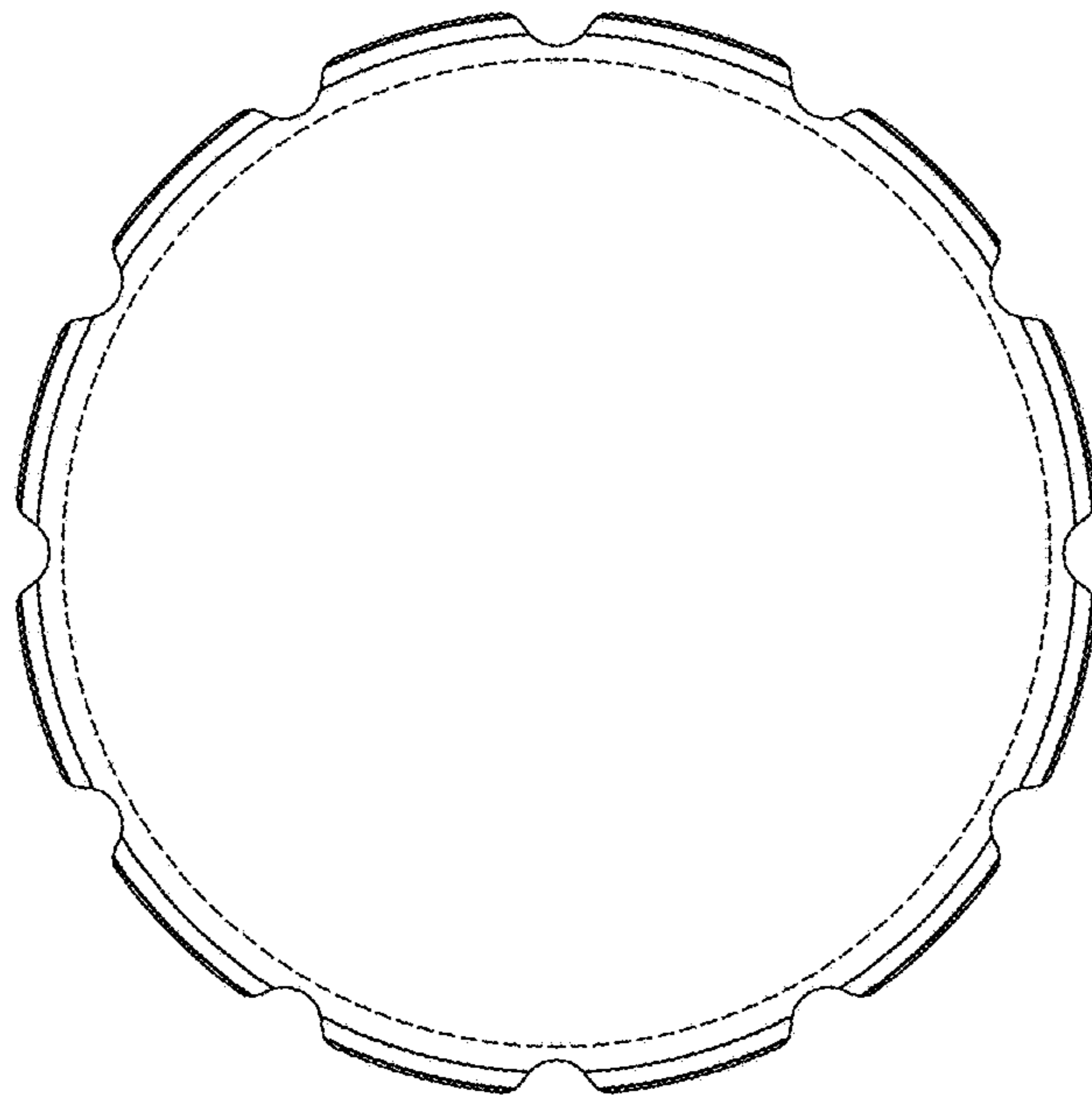


FIG. 13