



US00D851760S

(12) **United States Design Patent**
Lee

(10) **Patent No.:** **US D851,760 S**
(45) **Date of Patent:** **** Jun. 18, 2019**

(54) **NEEDLE UNIT FOR AUTOMATIC INJECTING DEVICE**

DESCRIPTION

(71) Applicant: **BOMTECH ELECTRONICS Co., Ltd.**, Seoul (KR)

(72) Inventor: **Jong-dae Lee**, Seoul (KR)

(73) Assignee: **BOMTECH ELECTRONICS CO., LTD.**, Seoul (KR)

(**) Term: **15 Years**

(21) Appl. No.: **29/619,293**

(22) Filed: **Sep. 28, 2017**

(30) **Foreign Application Priority Data**

Jun. 5, 2017 (KR) 30-2017-0025299

(51) **LOC (11) Cl.** **24-02**

(52) **U.S. Cl.**
USPC **D24/130**

(58) **Field of Classification Search**
USPC D24/127-131, 112-114, 133, 186;
606/181, 185; 604/264, 523-528, 272,
(Continued)

(56) **References Cited**

U.S. PATENT DOCUMENTS

4,167,179 A * 9/1979 Kirsch A61N 5/1027
600/7
5,519,984 A * 5/1996 Beussink B65B 3/003
53/324

(Continued)

Primary Examiner — David G Muller

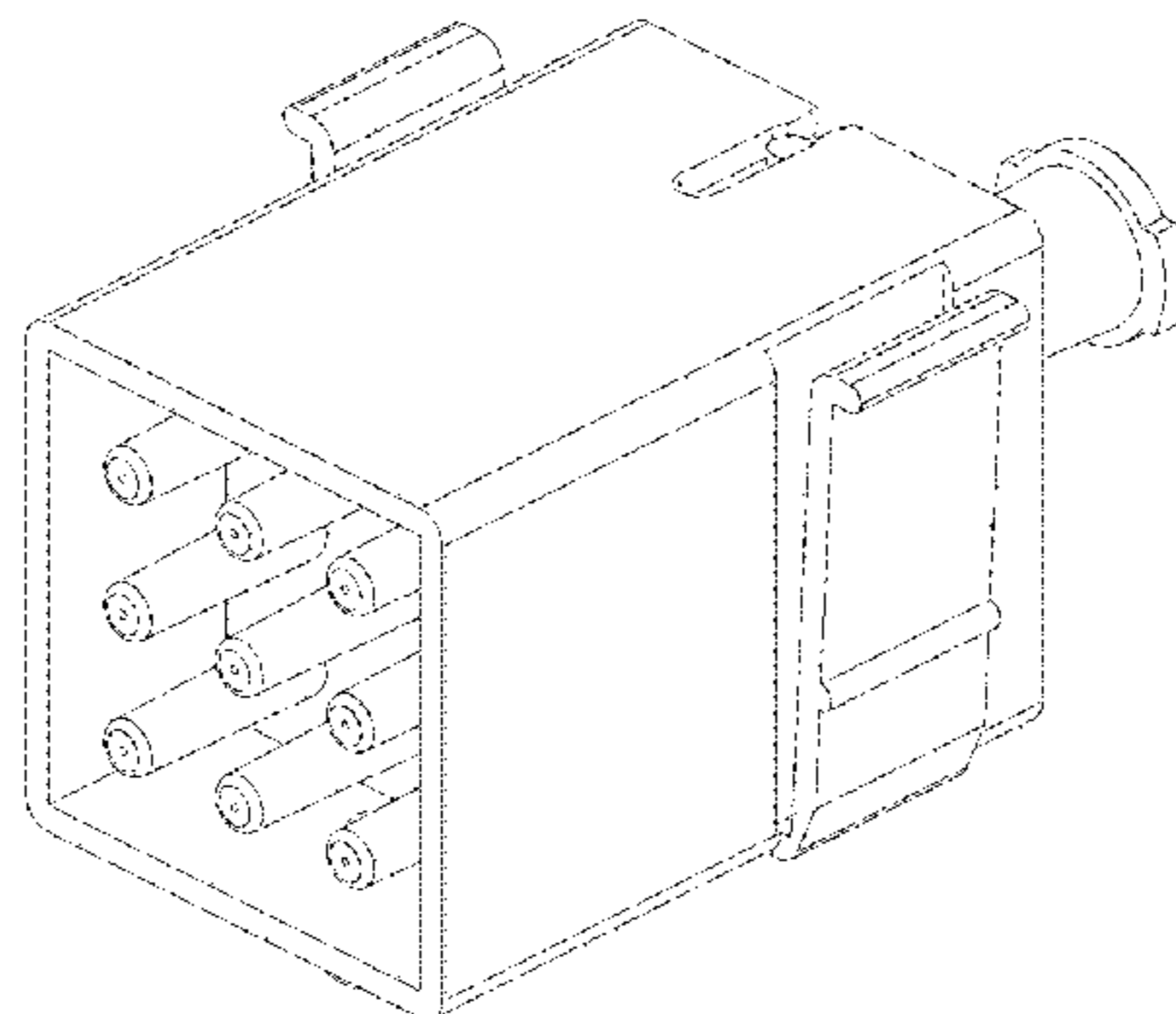
(74) *Attorney, Agent, or Firm* — Ulmer & Berne LLP

(57) **CLAIM**

The ornamental design for a needle unit for automatic injecting device, as shown and described.

FIG. 1 is a front top right perspective view of the needle unit for automatic injecting device, wherein needles are shown in an inserted position;
FIG. 2 is a front elevational view of the needle unit for automatic injecting device of FIG. 1;
FIG. 3 is a rear elevational view of the needle unit for automatic injecting device of FIG. 1;
FIG. 4 is a left side elevational view of the needle unit for automatic injecting device of FIG. 1;
FIG. 5 is a right side elevational view of the needle unit for automatic injecting device of FIG. 1;
FIG. 6 is a top plan view of the needle unit for automatic injecting device of FIG. 1;
FIG. 7 is a bottom plan view of the needle unit for automatic injecting device of FIG. 1;
FIG. 8 is a front top right perspective view of the needle unit for automatic injecting device of FIG. 1, wherein the needles are shown in a protruding position;
FIG. 9 is a front elevational view of the needle unit for automatic injecting device of FIG. 8;
FIG. 10 is a rear elevational view of the needle unit for automatic injecting device of FIG. 8;
FIG. 11 is a left side elevational view of the needle unit for automatic injecting device of FIG. 8;
FIG. 12 is a right side elevational view of the needle unit for automatic injecting device of FIG. 8;
FIG. 13 is a top plan view of the needle unit for automatic injecting device of FIG. 8;
FIG. 14 is a bottom plan view of the needle unit for automatic injecting device of FIG. 8;
FIG. 15 is a front top right perspective view of the needle unit for automatic injecting device of FIG. 1, shown mounted on an automatic injecting device; and,
FIG. 16 is a front top right perspective view of the needle unit for automatic injecting device of FIG. 8, shown mounted on an automatic injecting device.
The broken lines shown represent unclaimed subject matter and form no part of the claimed design. The dash-dot lines shown are boundary lines and form no part of the claimed design.

1 Claim, 16 Drawing Sheets



(58) **Field of Classification Search**

USPC 604/187, 158, 164.01–164.11, 181, 184,
604/227; 600/101, 139, 143;
128/200.24, 207.14, 207.15
CPC A61M 5/178; A61M 3/00; A61M 5/20;
A61M 5/31; A61M 5/3146; A61M
5/3129; A61M 5/3148; A61M 5/315
See application file for complete search history.

(56) **References Cited**

U.S. PATENT DOCUMENTS

6,722,054 B2 * 4/2004 Yarborough F26B 5/06
34/284
6,907,679 B2 * 6/2005 Yarborough A61M 5/002
34/237
D546,947 S * 7/2007 Nalagatla D24/129
D601,248 S * 9/2009 Mros D24/129
7,846,164 B2 * 12/2010 Castillo A61B 17/1604
606/79
8,506,530 B2 * 8/2013 Laermer A61B 17/205
604/173
8,647,357 B2 * 2/2014 Christensen A61B 5/1411
606/181
8,696,637 B2 * 4/2014 Ross A61M 5/14248
604/173
8,888,757 B2 * 11/2014 Moga A61M 37/0015
604/22
9,011,324 B2 * 4/2015 Okoniewski A61B 17/3423
600/184
9,138,532 B2 * 9/2015 Harton A61M 5/1418

* cited by examiner

FIG. 1

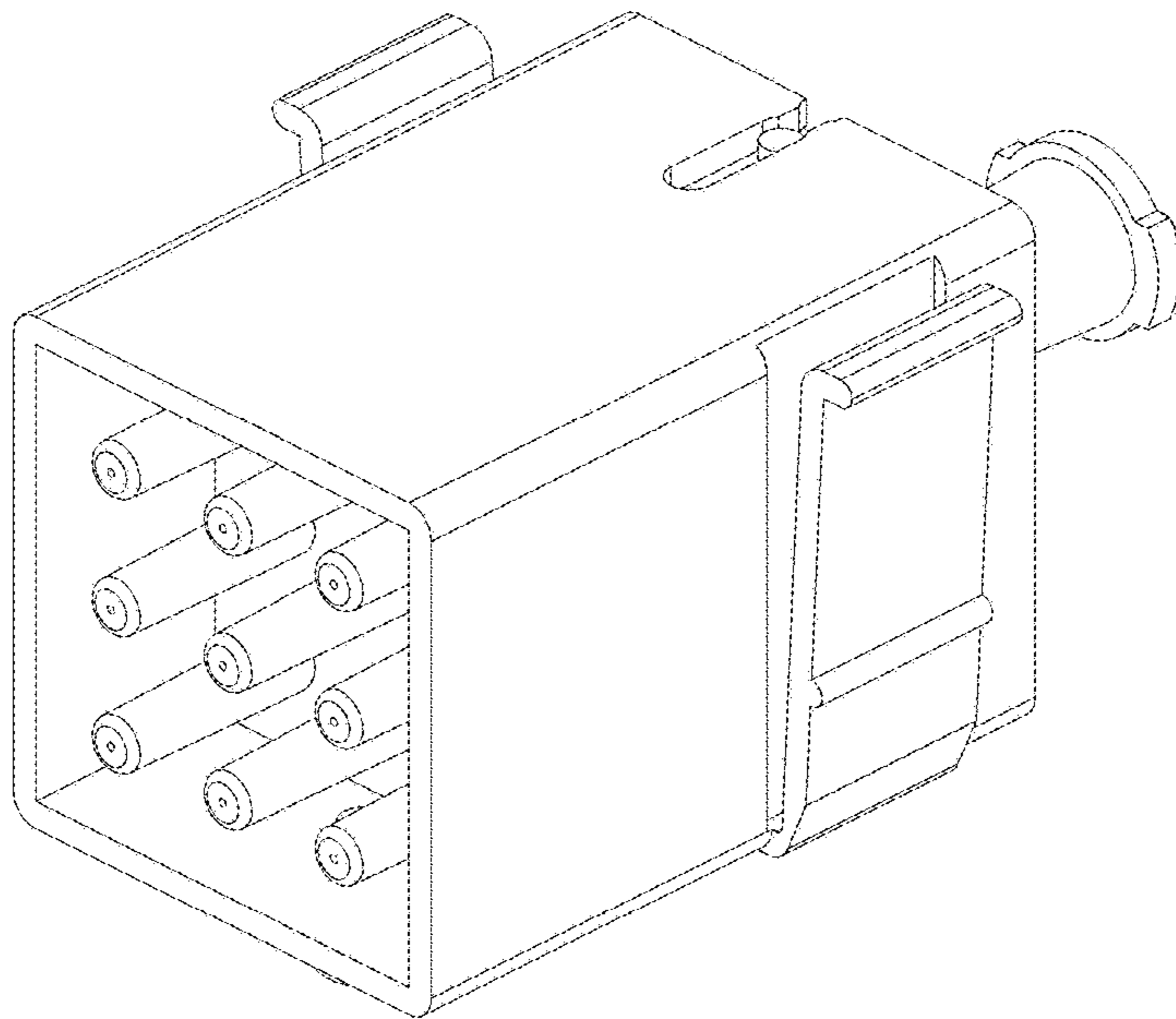


FIG. 2

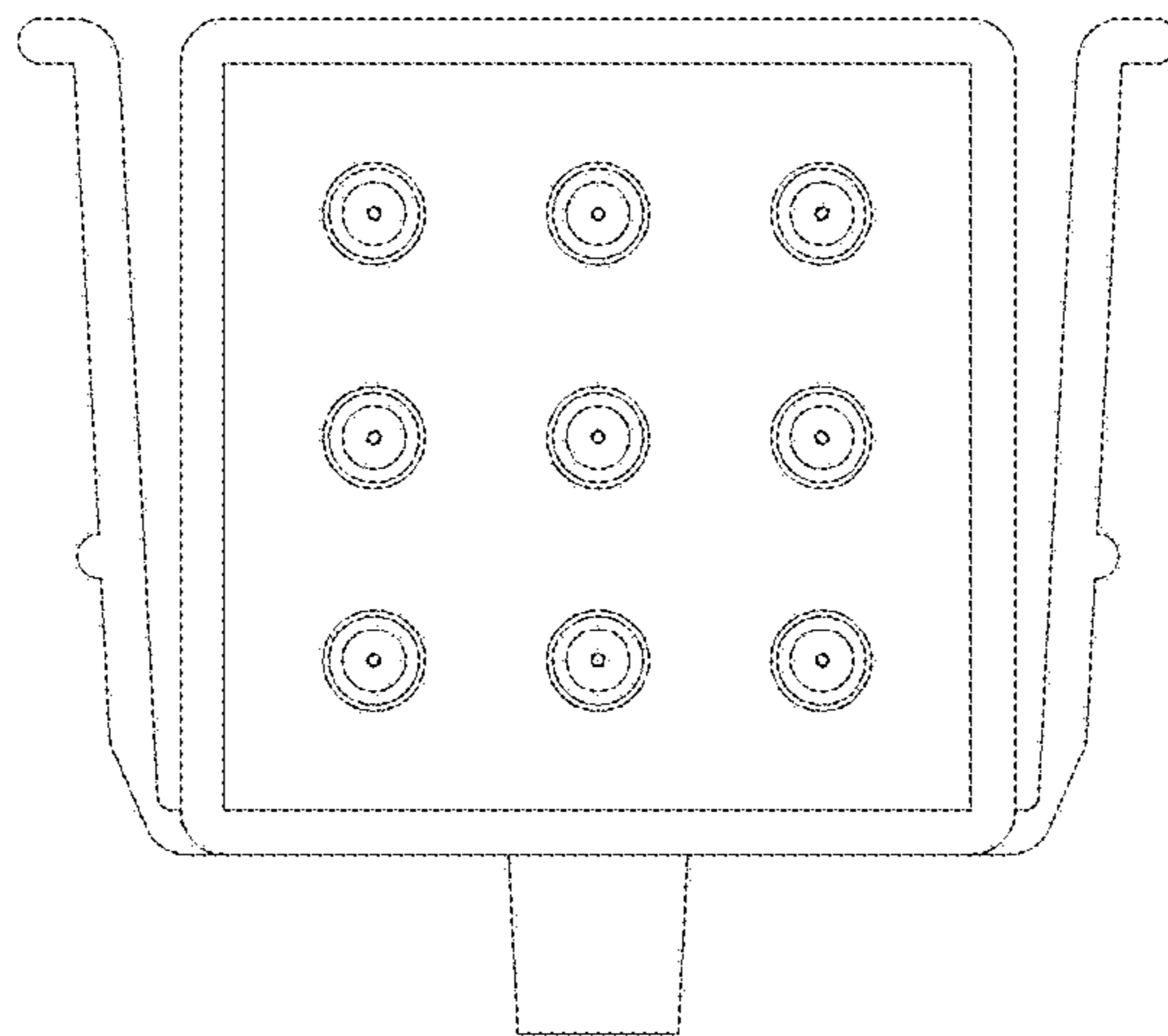


FIG. 3

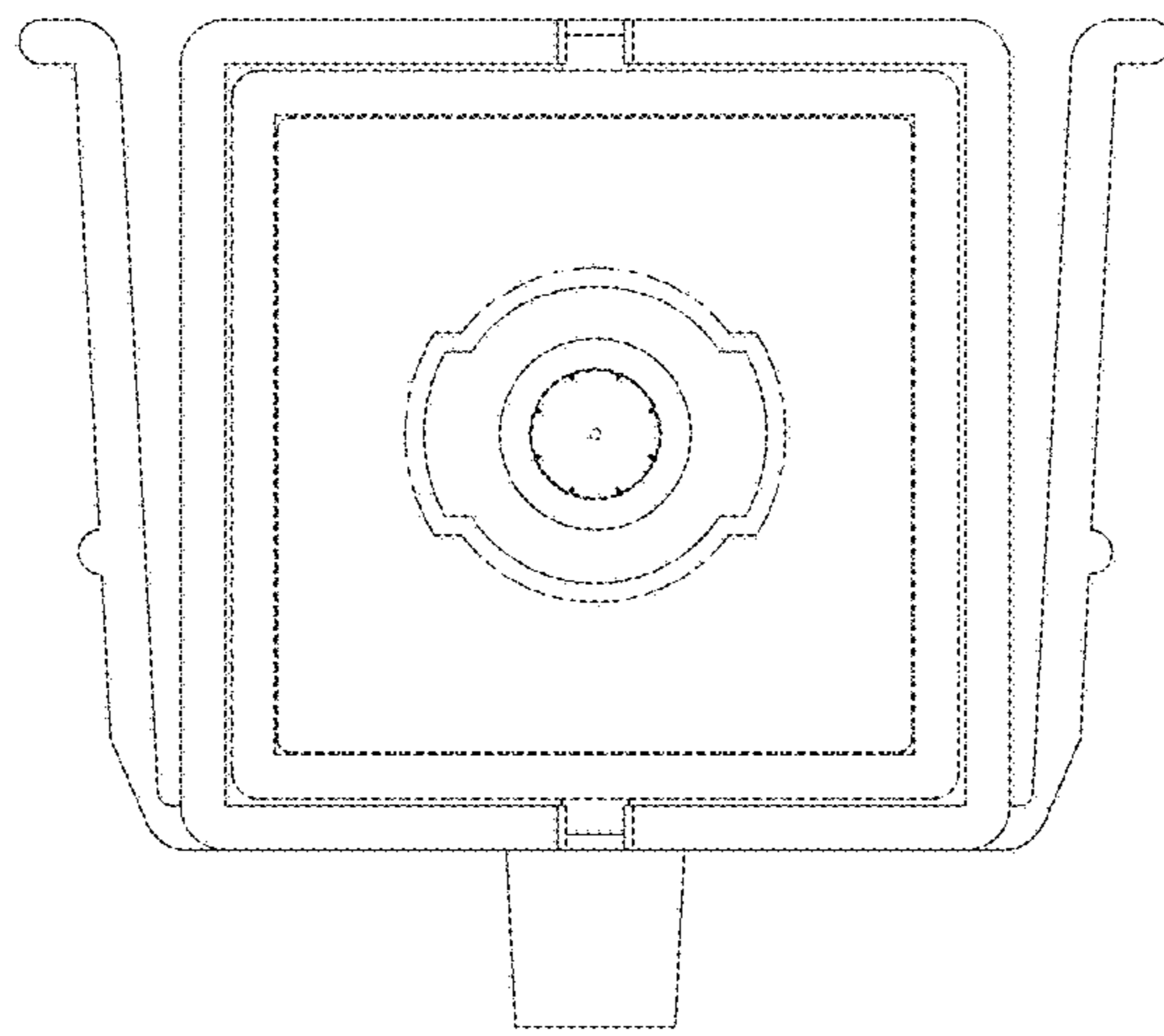


FIG. 4

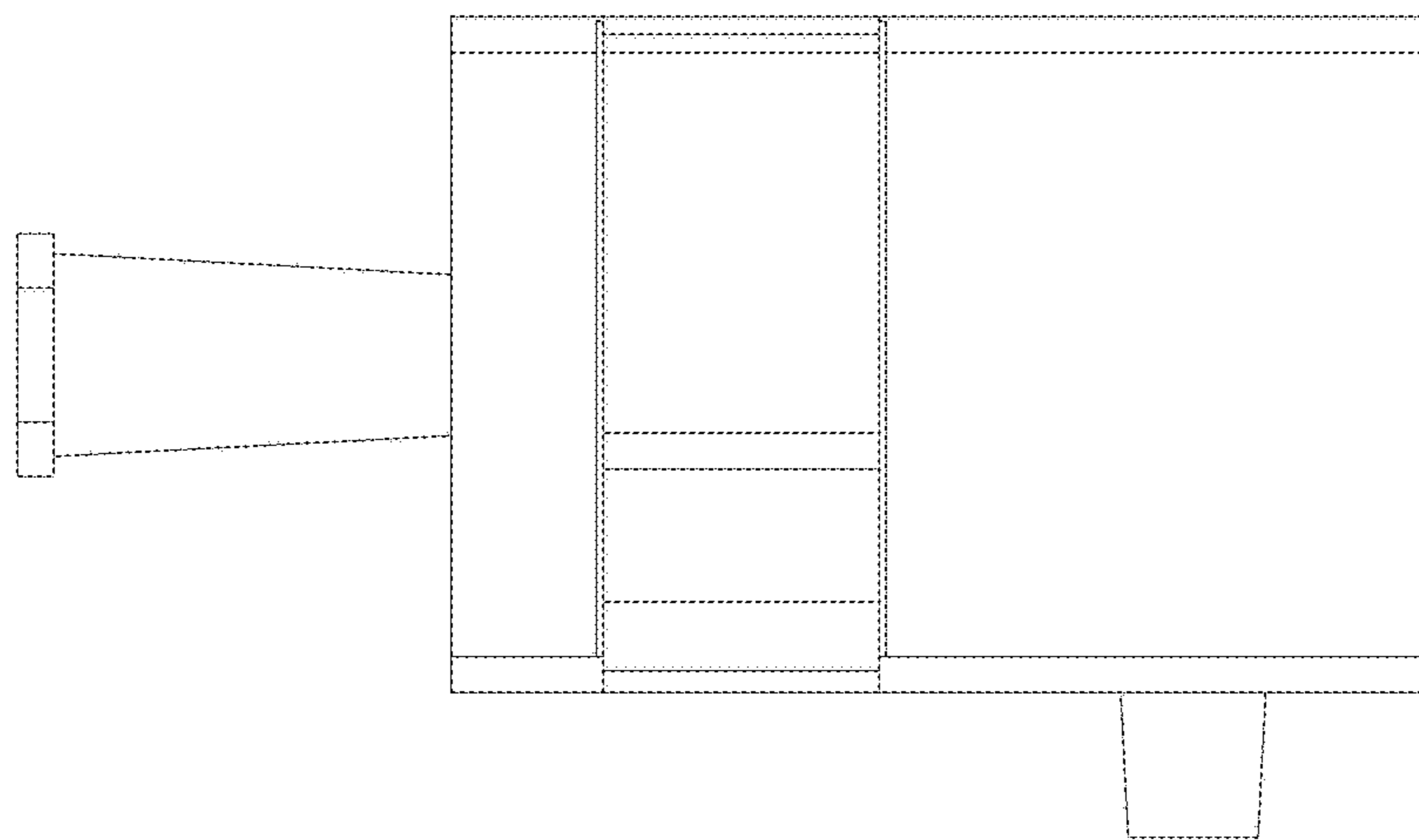


FIG. 5

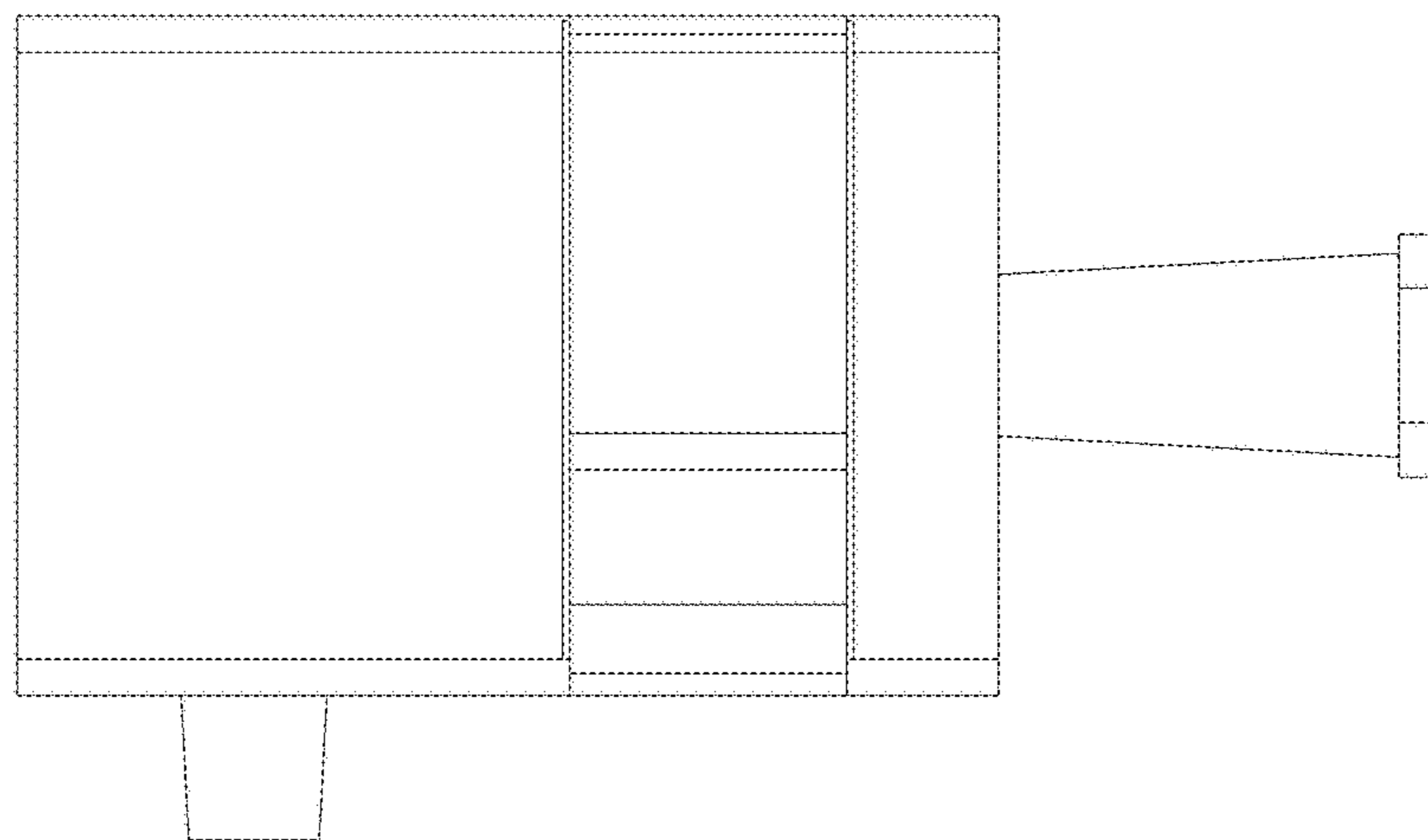


FIG. 6

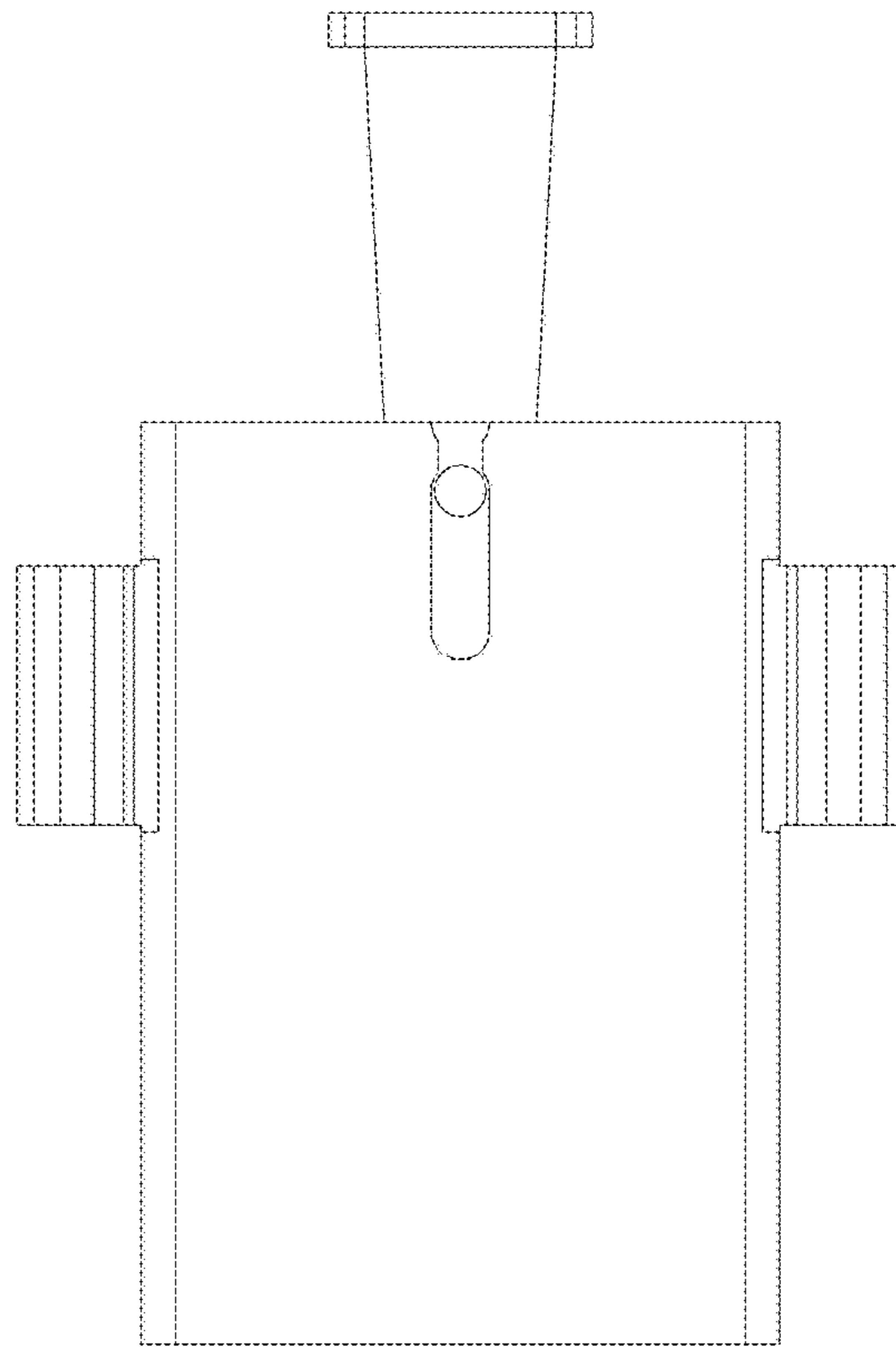


FIG. 7

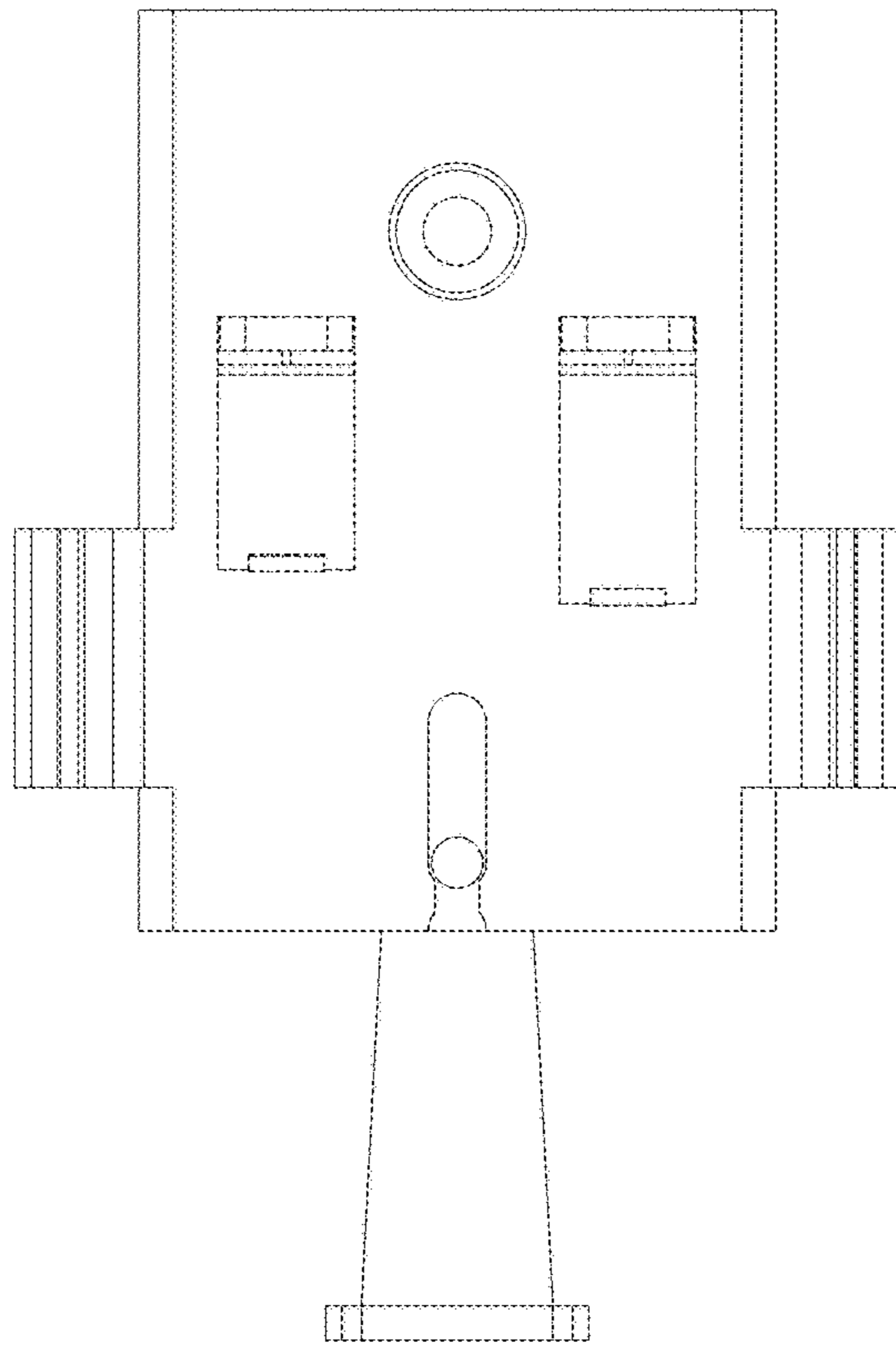


FIG. 8

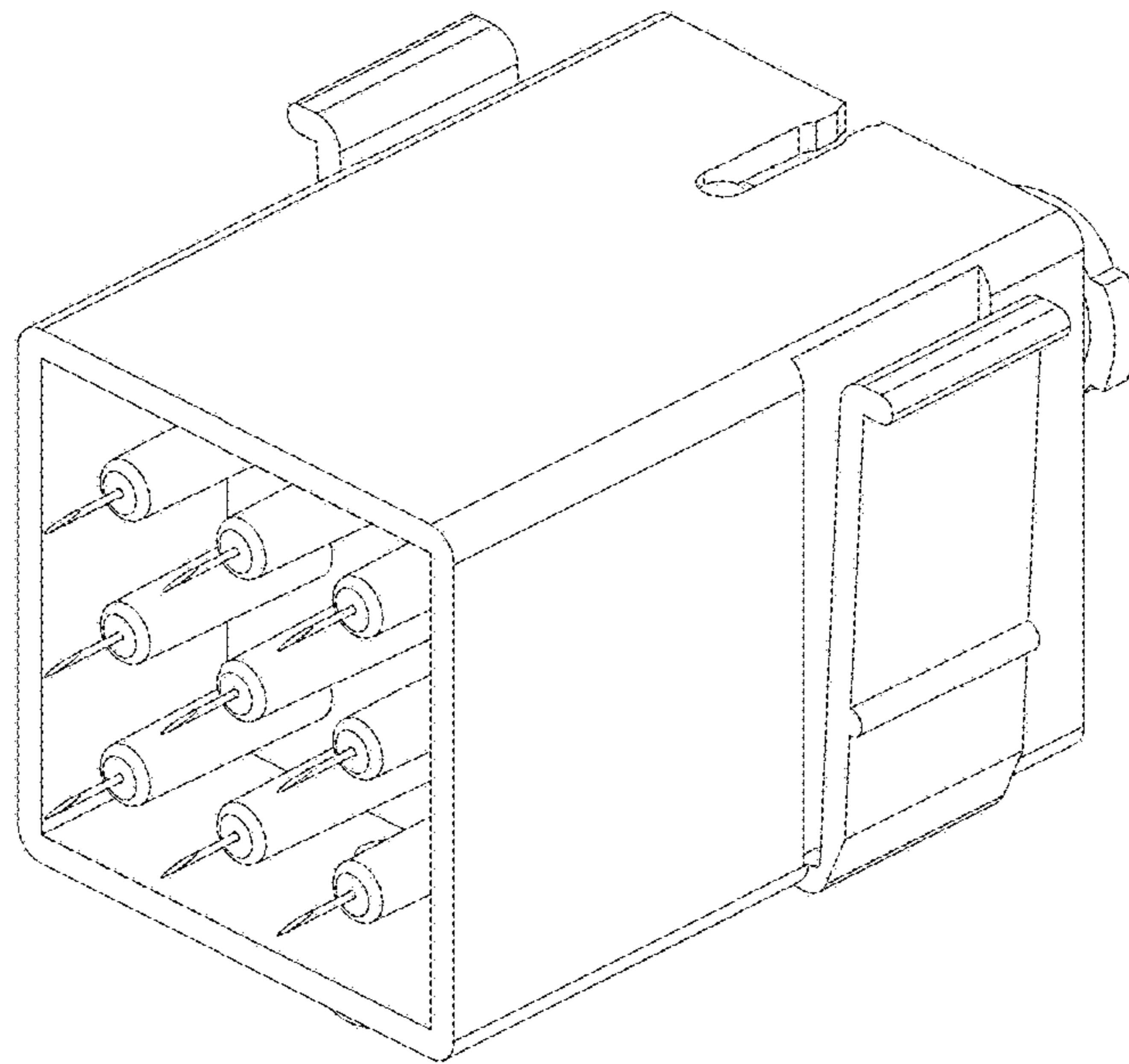


FIG. 9

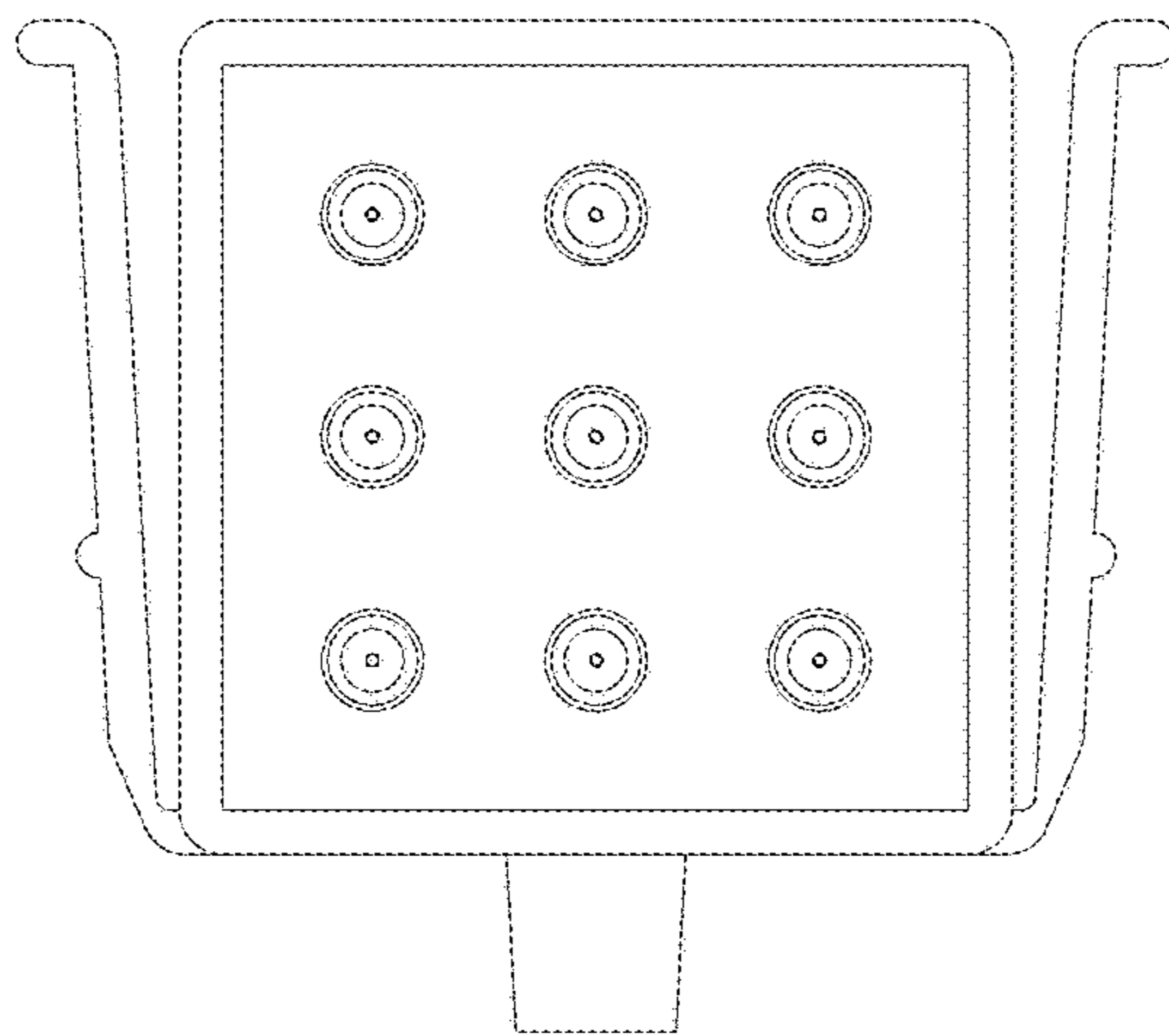


FIG. 10

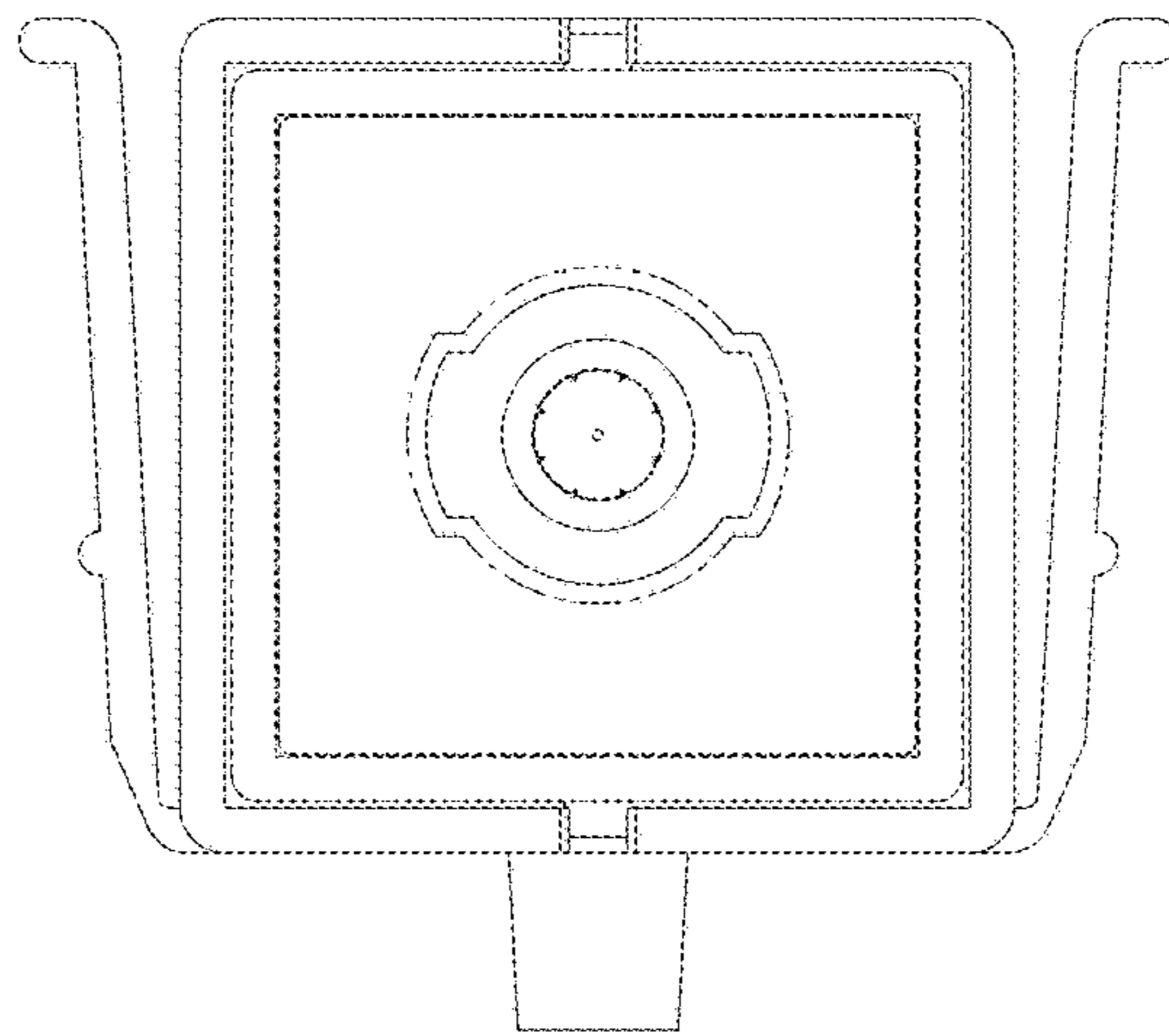


FIG. 11

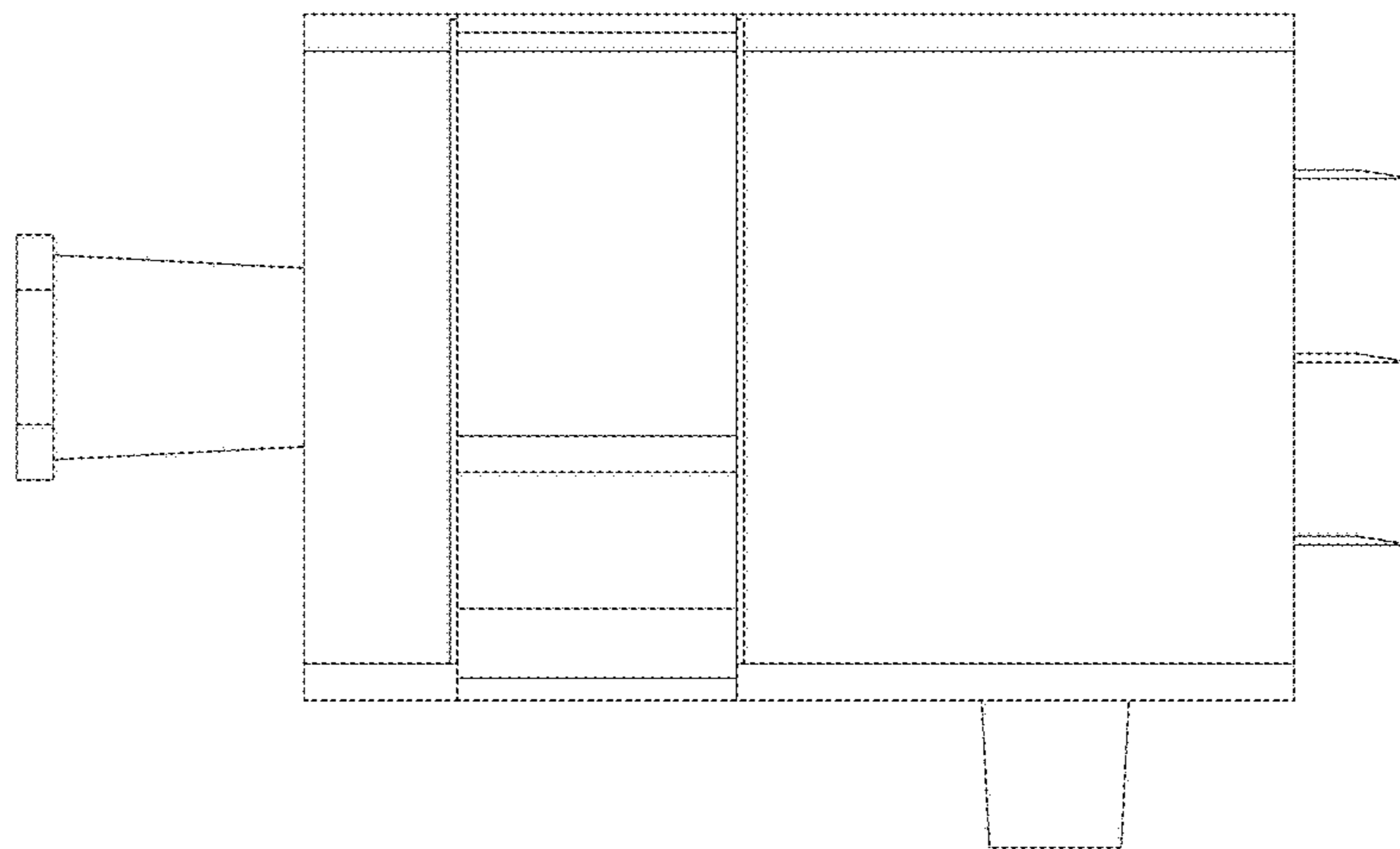


FIG. 12

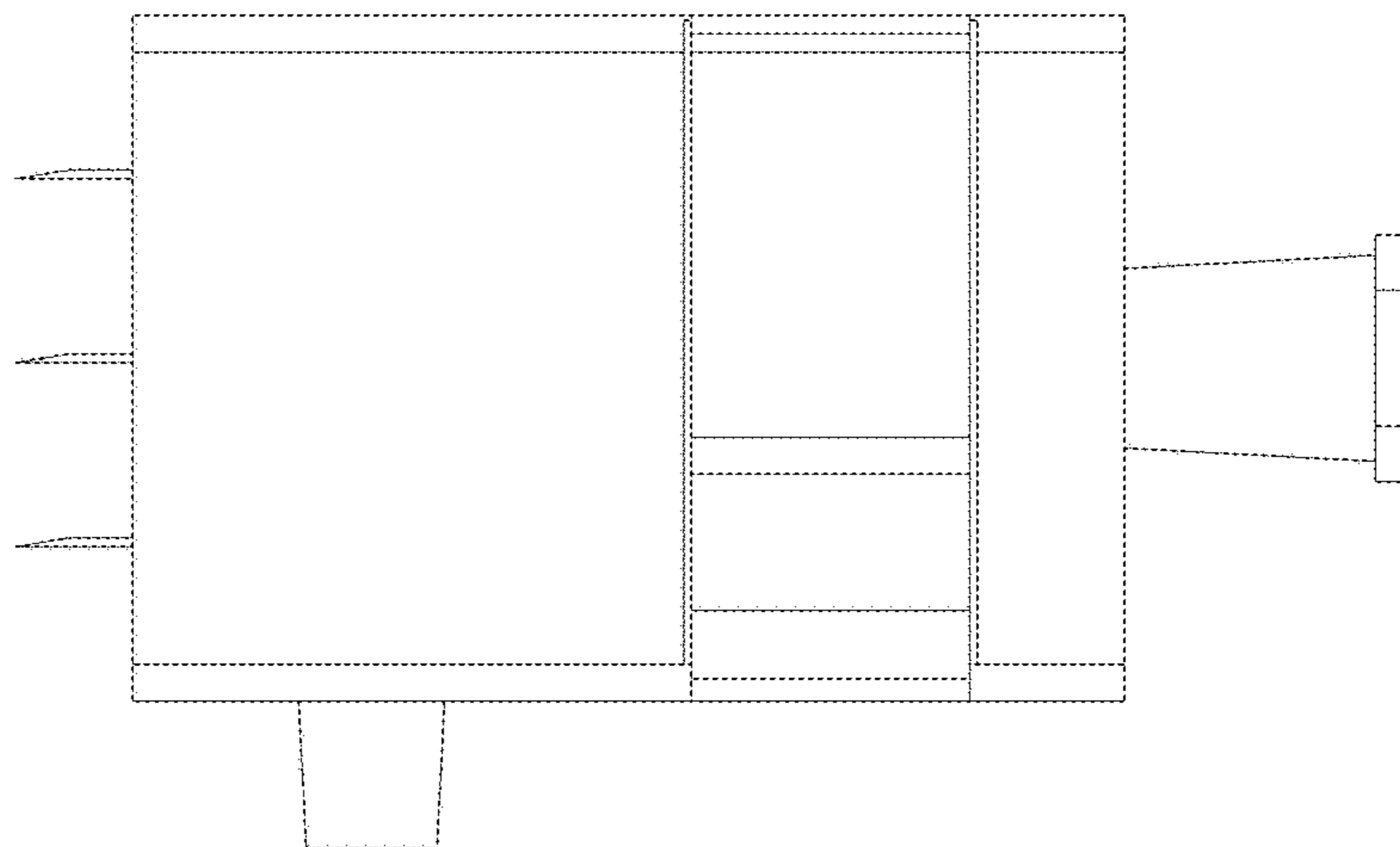


FIG. 13

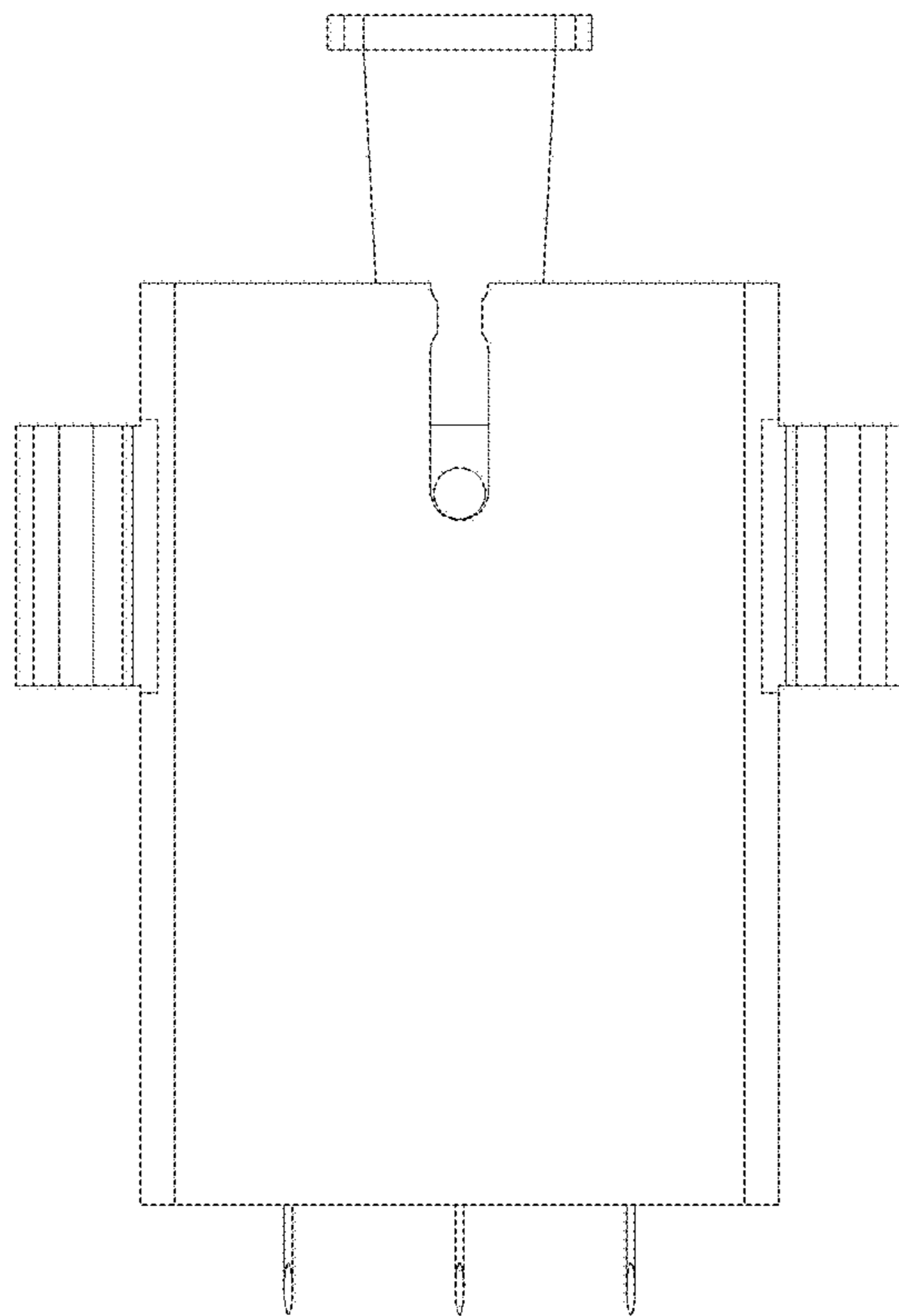


FIG. 14

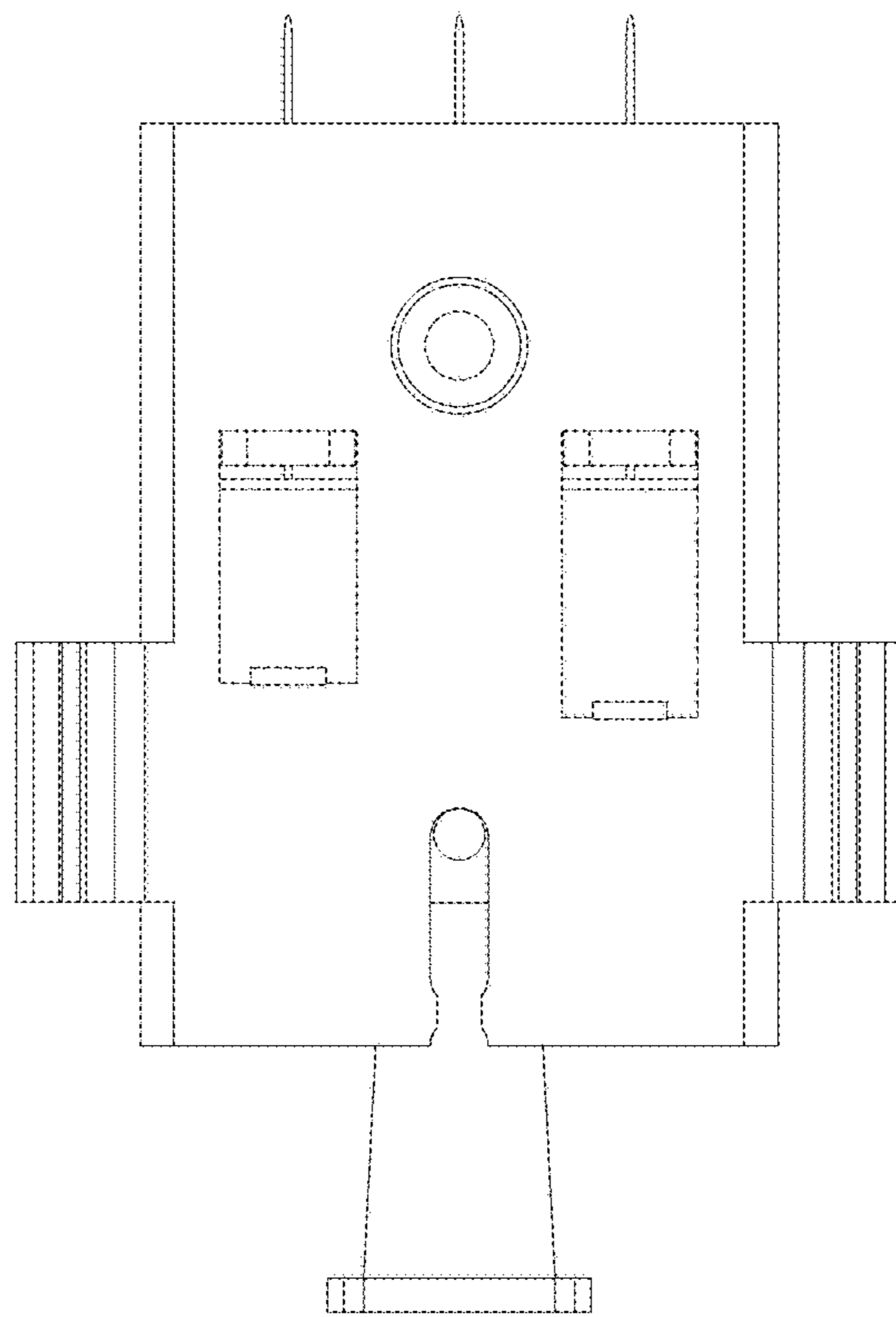


FIG. 15

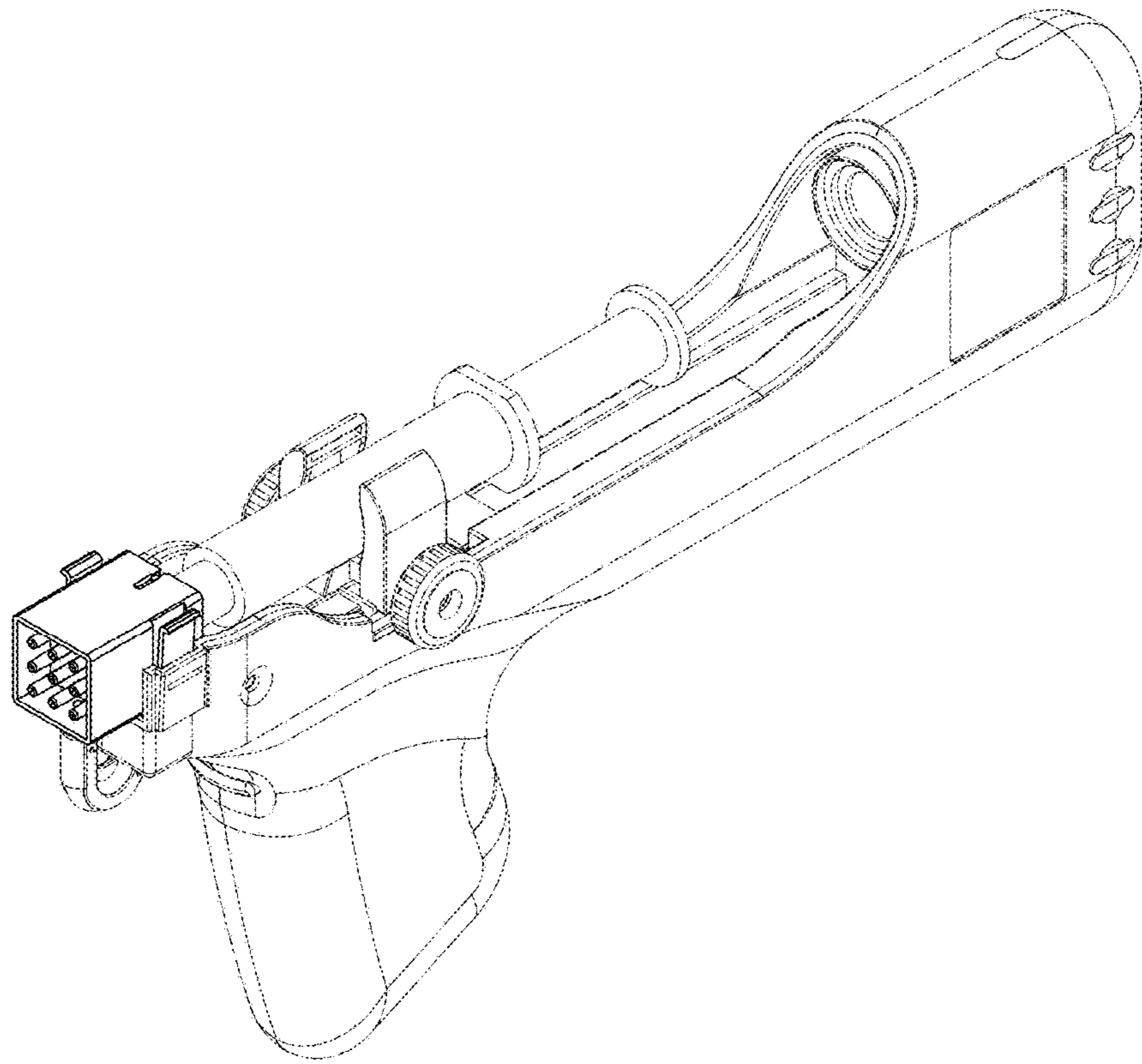


FIG. 16

