



US00D851757S

(12) **United States Design Patent** (10) **Patent No.:** **US D851,757 S**
Nandi et al. (45) **Date of Patent:** **** Jun. 18, 2019**

(54) **SYRINGE**

OTHER PUBLICATIONS

- (71) Applicant: **Vertice Pharma LLC**, New Providence, NJ (US)
- (72) Inventors: **Indranil Nandi**, Bridgewater, NJ (US); **Ketan Hippalgaonkar**, Mount Laurel, NJ (US); **Sunil Vandse**, Baskin Ridge, NJ (US)
- (73) Assignee: **Vertice Pharma LLC**, New Providence, NJ (US)
- (**) Term: **15 Years**
- (21) Appl. No.: **29/668,705**
- (22) Filed: **Nov. 1, 2018**

United States Plastic Corp. 10ml Dosing Syringe. Retrieved Jul. 18, 2018. <https://www.usplastic.com/catalog/item.aspx?itemid=101433> 2 pages.
 MedicalProductsSupply.com Comar Oral Dispensers with Tip Caps, 10mL—Green Plunger. Retrieved Jul. 18, 2018. <https://medicalproductssupply.com/comar-oral-dispensers-with-tip-caps-10ml-green-plunger.html> 3 pages.

(Continued)

Primary Examiner — David G Muller

(74) *Attorney, Agent, or Firm* — Haynes and Boone LLP

(57) **CLAIM**

The ornamental design for a syringe, as shown and described.

DESCRIPTION

FIG. 1 is a front perspective view of a syringe showing our new design;
 FIG. 2 is a front view thereof;
 FIG. 3 is a rear view thereof;
 FIG. 4 is a right side view thereof;
 FIG. 5 is a left side view thereof;
 FIG. 6 is a top view thereof;
 FIG. 7 is a bottom view thereof; and,
 FIG. 8 is a rear perspective view thereof.
 Oblique line shading represents portions of our new design that are transparent or translucent.
 Solid gray shading represents a color contrast in the sense that the portions of our new design so shaded, which may be any “color”, for example, red, blue, green, or yellow, are in color contrast with the transparent or translucent portions of our new design.
 In FIGS. 1-6 and 8, the solid gray shading varies in tone and thus includes light solid gray shading and dark solid gray shading. The light solid gray shading represents the solid gray shaded portions of our new design when viewed through the transparent or translucent portions of our new design. The dark solid dark gray shading represents the solid gray shaded portions of our new design when not viewed through the transparent or translucent portions of our new design.

Related U.S. Application Data

- (62) Division of application No. 29/657,824, filed on Jul. 25, 2018, now Pat. No. Des. 836,772.
- (51) **LOC (11) Cl.** **24-02**
- (52) **U.S. Cl.**
USPC **D24/114**
- (58) **Field of Classification Search**
USPC D24/112–114, 108, 133, 130, 127, 186;
606/181, 185; 604/264, 272, 187, 181,
604/184, 227

(Continued)

(56) **References Cited**

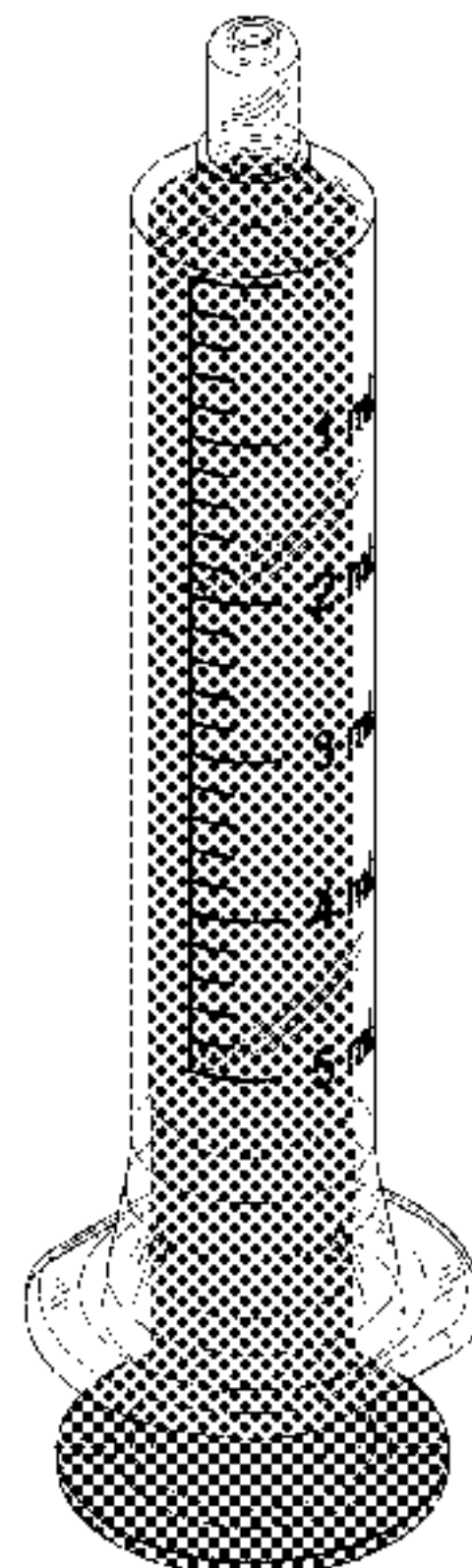
U.S. PATENT DOCUMENTS

- D251,203 S 2/1979 Williamson
 - 4,784,641 A 11/1988 White
- (Continued)

FOREIGN PATENT DOCUMENTS

- WO WO 2017/072728 5/2017

1 Claim, 5 Drawing Sheets



(58) **Field of Classification Search**

CPC A61M 5/178; A61M 3/00; A61M 5/20;
A61M 5/31; A61M 5/3146; A61M
5/3129; A61M 5/3148; A61M 5/315
See application file for complete search history.

(56) **References Cited**

U.S. PATENT DOCUMENTS

4,895,559	A	1/1990	Shippert	
5,007,903	A	4/1991	Ellard	
D335,344	S *	5/1993	Hastings	D24/114
5,598,939	A	2/1997	Watson et al.	
D447,797	S *	9/2001	Odell	D24/112
D448,844	S	10/2001	Reis	
D460,181	S *	7/2002	Swenson	D24/108
D460,820	S *	7/2002	Niedospial, Jr.	D24/130
6,436,075	B1 *	8/2002	Liao	A61M 5/3205 604/181
6,764,469	B2	7/2004	Broselow	
D542,406	S	5/2007	Knight et al.	
D545,429	S *	6/2007	Hays	D24/114
D667,950	S *	9/2012	Hyun	D24/130
D674,086	S *	1/2013	Khalaj	D24/114
D694,638	S *	12/2013	Baker	D24/114
8,992,488	B2	3/2015	Ingram et al.	
9,345,638	B2	5/2016	Ferrara	
D771,807	S *	11/2016	Zalewski	D24/130
9,566,388	B1	2/2017	Jones	
9,579,259	B2	2/2017	Fernandez	
D780,913	S *	3/2017	Murasawa	D24/130
9,682,195	B2	6/2017	Tucker	
D792,579	S *	7/2017	Ohashi	D24/114
D804,651	S *	12/2017	Loonan	D24/114
2012/0216909	A1	8/2012	Levy	
2015/0043102	A1	2/2015	Cojocariu et al.	
2017/0014310	A1	1/2017	Hyun et al.	
2017/0182249	A1	6/2017	Lee et al.	
2017/0296434	A1	10/2017	Aiken et al.	
2017/0304152	A1	10/2017	Hernandez	
2018/0043102	A1	2/2018	Cojocariu et al.	
2018/0117258	A1	5/2018	Bisegna et al.	

OTHER PUBLICATIONS

Buontempo et al., Extemporaneous clobazam suspensions for paediatric use prepared from commercially available tablets and pure drug, *Farm hosp.* 2013; 37(2): pp. 103-110.

Grissinger, Oral Syringes: Making Better Use of a Crucial and Economical Risk-Reduction Strategy, *Medication Errors*, vol. 38 No. 1, Jan. 2013, pp. 5-6.

Wu et al., Effects of Conversion from Sirolimus Oral Solution to Tablets in Stable Taiwanese Renal Transplant Recipients, *J Formos Med Assoc* 2005; 104: pp. 22-28.

AAAWholesaleCompany.com Oral Dispenser Syringe with Round Flange. Retrieved Jul. 18, 2018. <https://www.aaawholesalecompany.com/hea-17234w-pk.html> 3 pages.

The Betty Mills Company Medtronic Monoject 10 mL Oral Dispenser Syringe, Individual Pack Oral Tip Without Safety. Retrieved Jul. 18, 2018. <https://www.bettymills.com/monoject-10-ml-oral-dispenser-syringe-individual-pack-oral-tip-without-safety-410s?referer=search> 2 pages.

The Betty Mills Company Medtronic Monoject Oral Dispenser Syringe, 3 mL, Oral Tip, Without Safety. Retrieved Jul. 18, 2018. <https://www.bettymills.com/monoject-oral-dispenser-syringe-3-ml-403s?referer=search> 3 pages.

VitalityMedical.com Oral Syringes Store Amber Syringes—Clear Syringes—Beckton Dickinson—BD. Retrieved Jul. 18, 2018. <https://www.vitalitymedical.com/oral-syringe.html>.

NeoMedinc.com Pharmacy Syringes. Retrieved Jul. 18, 2018. <https://www.neomedinc.com/product/bulk-packaged-pharmacy-syringe-enteral/> 3 pages.

Medidose.com Oral Syringes/Dispensers. Retrieved Jul. 18, 2018. <http://www.medidose.com/Oral-Syringes-Dispensers.aspx> 4 pages.

BaxterMedicationDeliveryProducts.com Oral and Enteral Systems, Topical Dispensers. Retrieved Jul. 18, 2018. <http://baxtermedicationdeliveryproducts.com/pharmacy-workflow/oralenteral.html> 1 page.

Requirement for Restriction/Election issued by USPTO dated Sep. 11, 2018 regarding U.S. Appl. No. 29/657,824, 6 pages.

Notice of Allowance issued by USPTO dated Oct. 30, 2018 regarding U.S. Appl. No. 29/657,824, 5 pages.

* cited by examiner

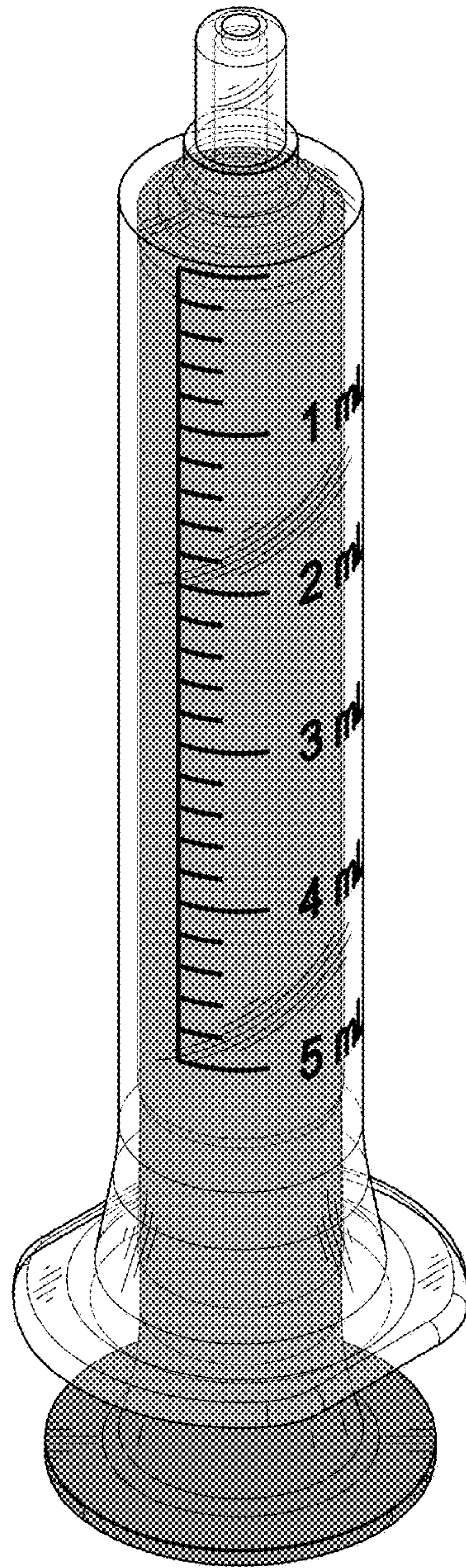


Fig. 1

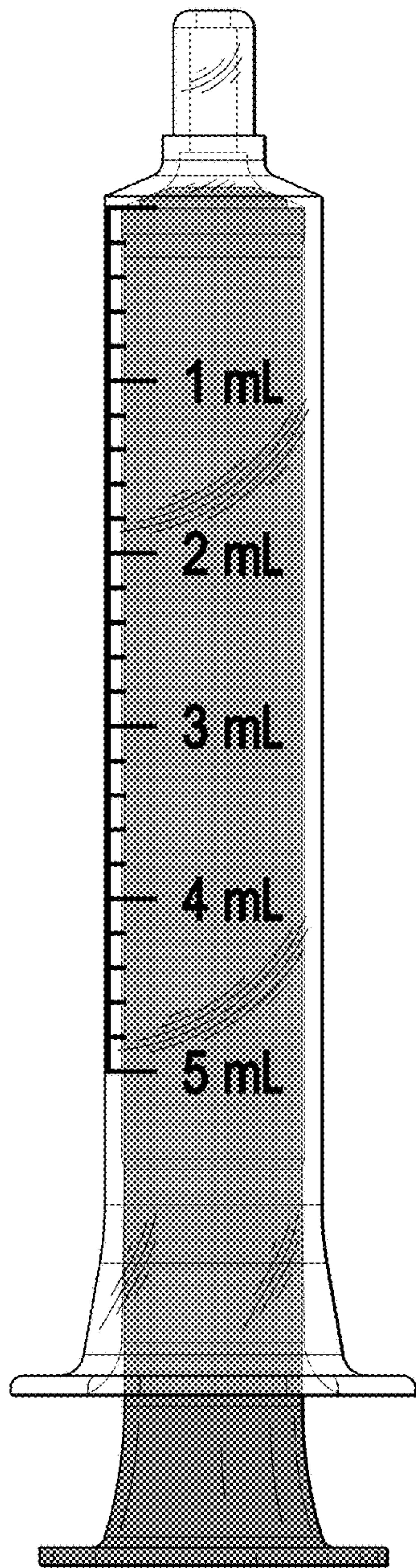


Fig. 2

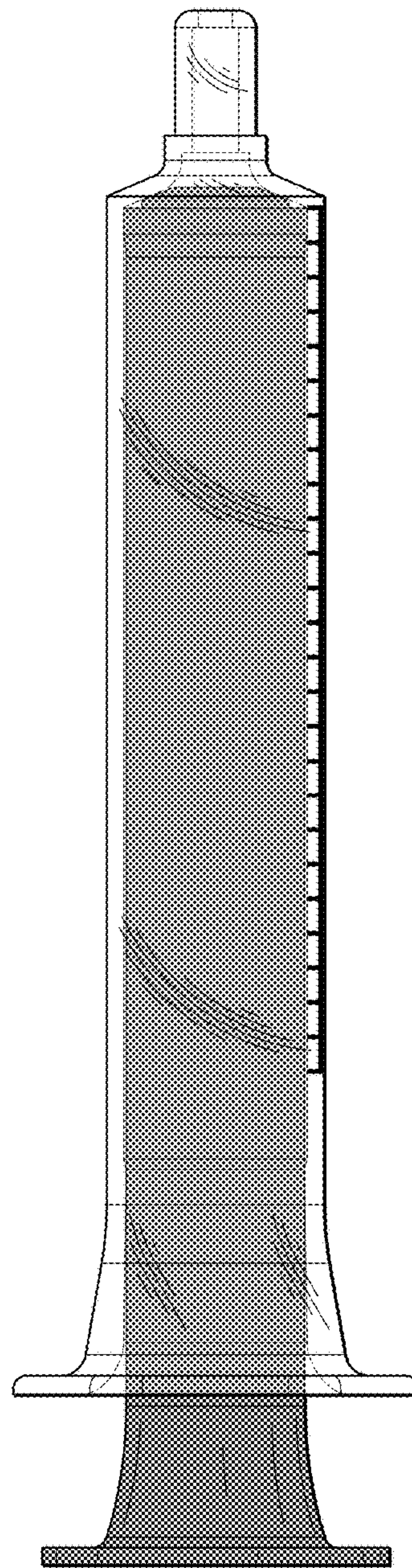


Fig. 3

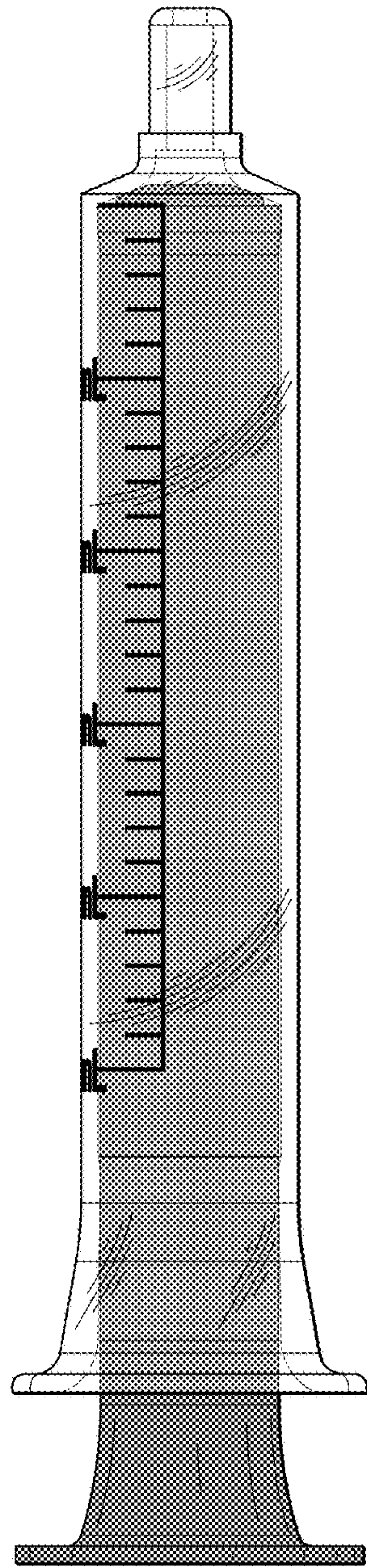


Fig. 4

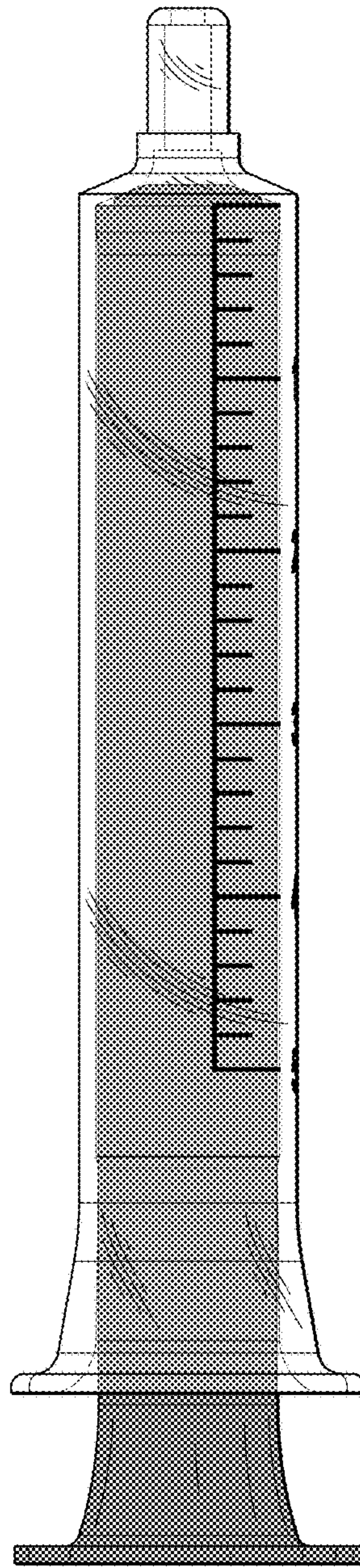


Fig. 5

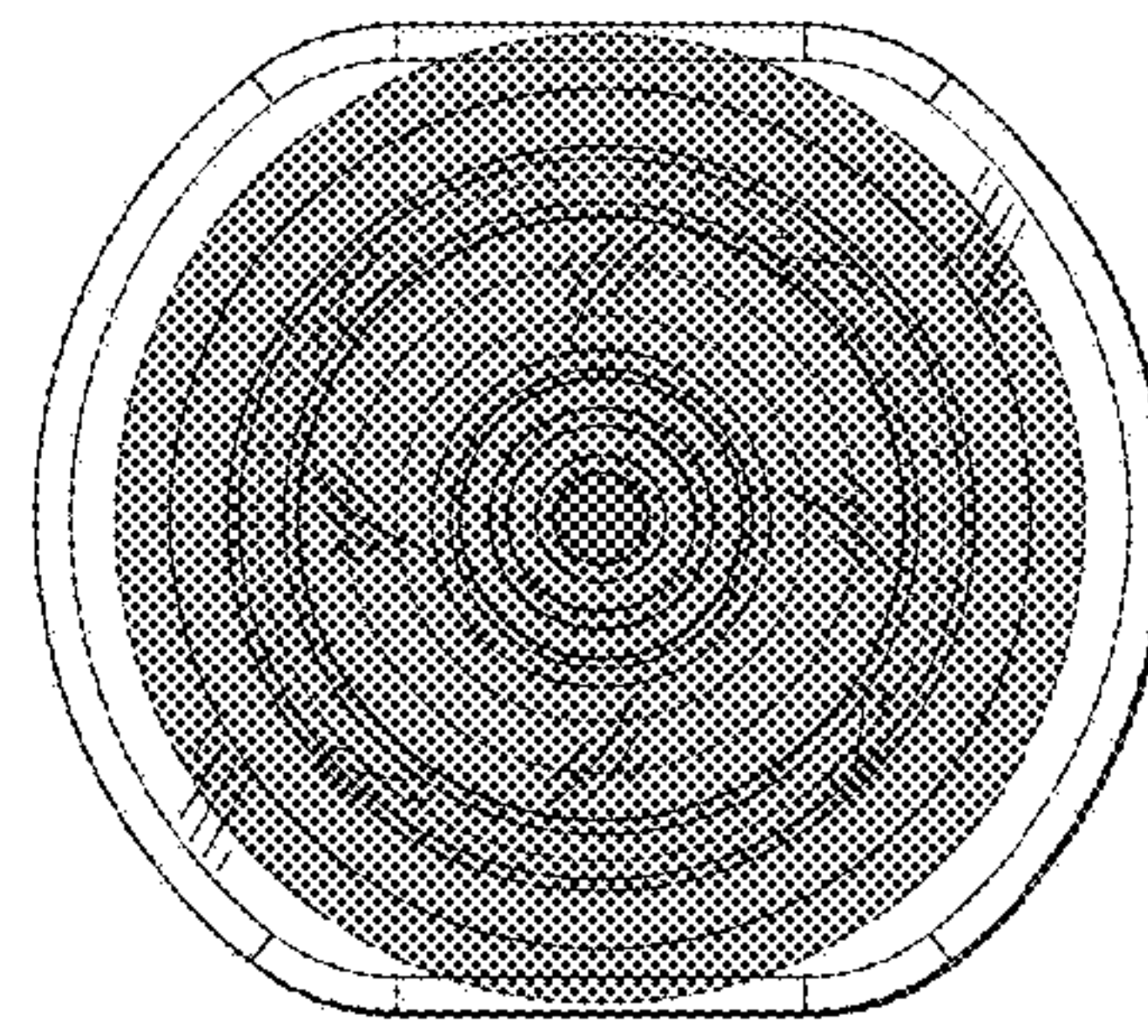


Fig. 6

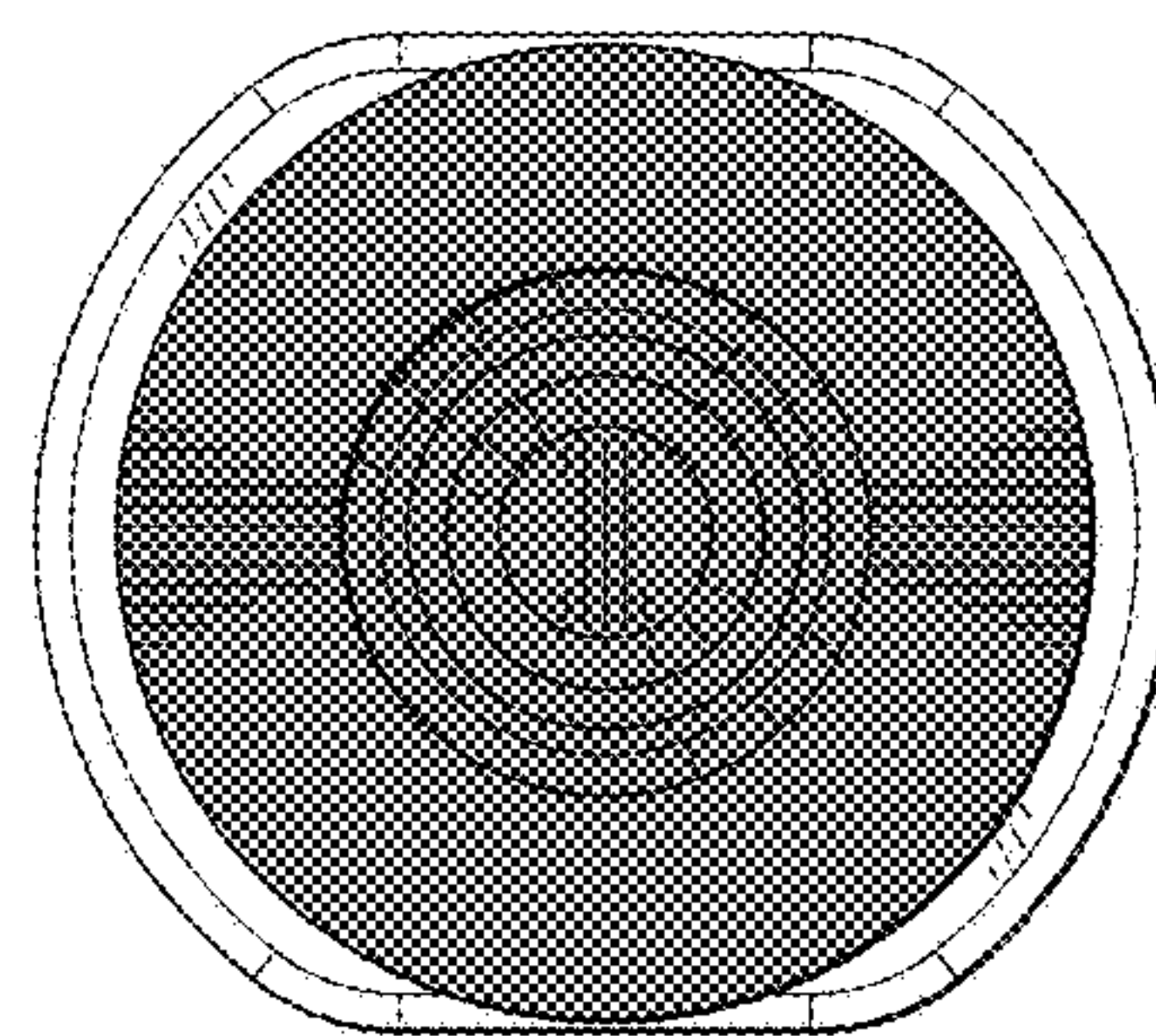


Fig. 7

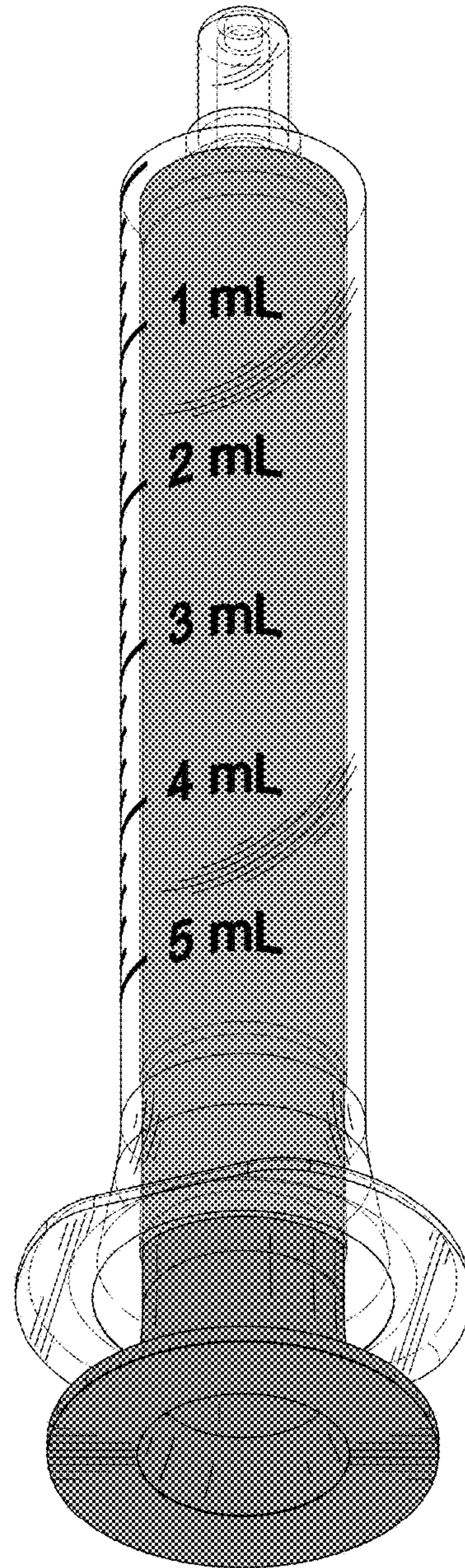


Fig. 8