



US00D851756S

(12) **United States Design Patent**
Lee

(10) **Patent No.:** **US D851,756 S**
(45) **Date of Patent:** **** Jun. 18, 2019**

(54) **AUTOMATIC INJECTING DEVICE FOR INJECTOR**

(71) Applicant: **BOMTECH ELECTRONICS Co., Ltd.**, Seoul (KR)

(72) Inventor: **Jong-dae Lee**, Seoul (KR)

(73) Assignee: **BOMTECH ELECTRONICS CO., LTD.**, Seoul (KR)

(**) Term: **15 Years**

(21) Appl. No.: **29/619,324**

(22) Filed: **Sep. 28, 2017**

(30) **Foreign Application Priority Data**

Jun. 5, 2017 (KR) 30-2017-0025302

(51) **LOC (11) Cl.** **24-02**

(52) **U.S. Cl.**
USPC **D24/114**

(58) **Field of Classification Search**
USPC D24/127-131, 112-114, 133, 186;
606/181, 185; 604/264, 523-528, 272,
604/187, 158, 164.01-164.11, 181, 184,
604/227; 600/101, 139, 143;
128/200.24, 207.14, 207.15
CPC A61M 5/178; A61M 3/00; A61M 5/20;
A61M 5/31; A61M 5/3146; A61M
5/3129; A61M 5/3148; A61M 5/315
See application file for complete search history.

(56) **References Cited**

U.S. PATENT DOCUMENTS

- 3,835,835 A * 9/1974 Thompson A61B 5/15003
600/575
- 5,830,152 A * 11/1998 Tao A61B 10/0233
600/562
- D411,882 S * 7/1999 Minasian D24/130
- D414,865 S * 10/1999 Baust D24/133

- 6,120,482 A * 9/2000 Szabo A61M 5/3216
128/919
- D505,200 S * 5/2005 Simpson D24/114
- D720,069 S * 12/2014 Kaercher D24/133

(Continued)

Primary Examiner — David G Muller

(74) *Attorney, Agent, or Firm* — Ulmer & Berne LLP

(57) **CLAIM**

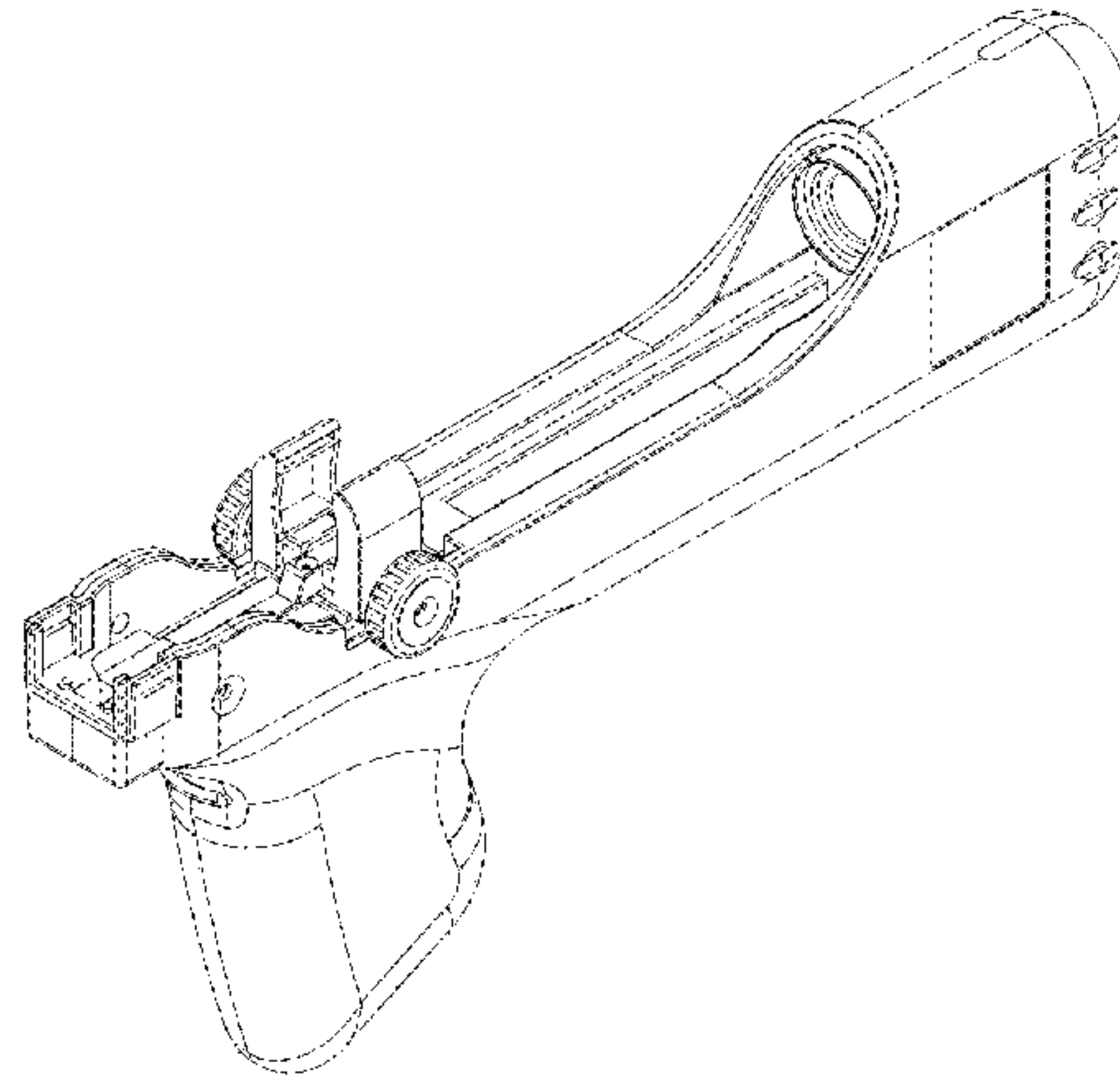
The ornamental design for an automatic injecting device for injector, as shown and described.

DESCRIPTION

FIG. 1 is a front top right perspective view of the automatic injecting device for injector;
 FIG. 2 is a front elevational view of the automatic injecting device for injector of FIG. 1;
 FIG. 3 is a rear elevational view of the automatic injecting device for injector of FIG. 1;
 FIG. 4 is a left side elevational view of the automatic injecting device for injector of FIG. 1;
 FIG. 5 is a right side elevational view of the automatic injecting device for injector of FIG. 1;
 FIG. 6 is a top plan view of the automatic injecting device for injector of FIG. 1;
 FIG. 7 is a bottom plan view of the automatic injecting device for injector of FIG. 1; and
 FIG. 8 is a right side elevational view of the automatic injecting device for injector of FIG. 1, wherein mounted thereon are an injector and needle unit;
 FIG. 9 is a right side elevational view of the automatic injecting device for injector of FIG. 8, wherein a pusher of the automatic injecting device for injector is shown in a pressing position to press a piston of the injector; and,
 FIG. 10 is a right side elevational view of the automatic injecting device for injector of FIG. 9, wherein the pusher is shown to press the piston.

The broken lines shown represent unclaimed subject matter and form no part of the claimed design.

1 Claim, 10 Drawing Sheets



(56)

References Cited

U.S. PATENT DOCUMENTS

D720,070 S	*	12/2014	Khalaj	D24/133
D750,224 S	*	2/2016	Miyano	D24/113
D760,382 S	*	6/2016	Eisele	D24/113
D771,243 S	*	11/2016	DiMino	D24/113
D816,832 S	*	5/2018	Ho	D24/128
D817,482 S	*	5/2018	Howell	D24/112

* cited by examiner

FIG. 1

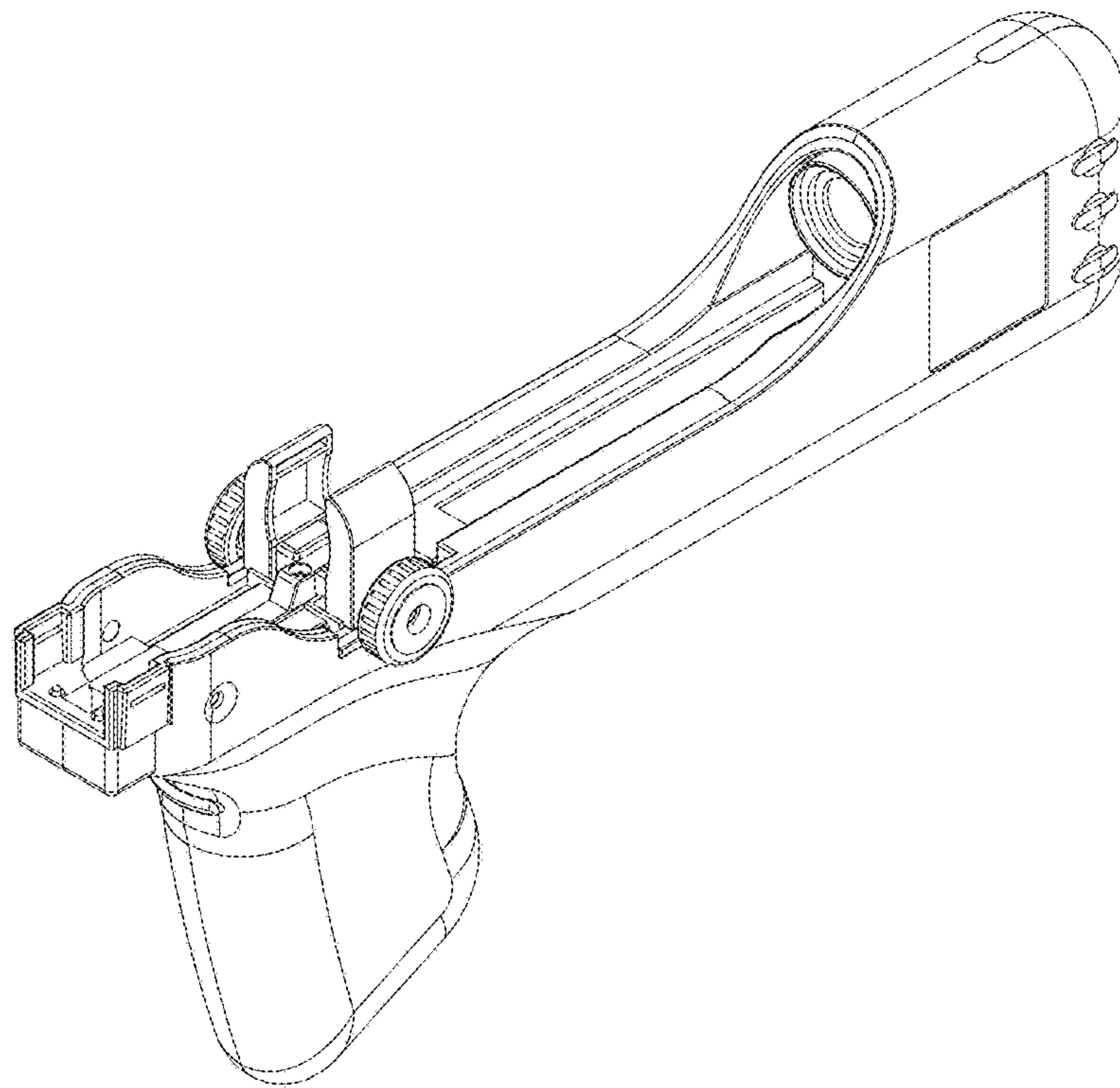


FIG. 2

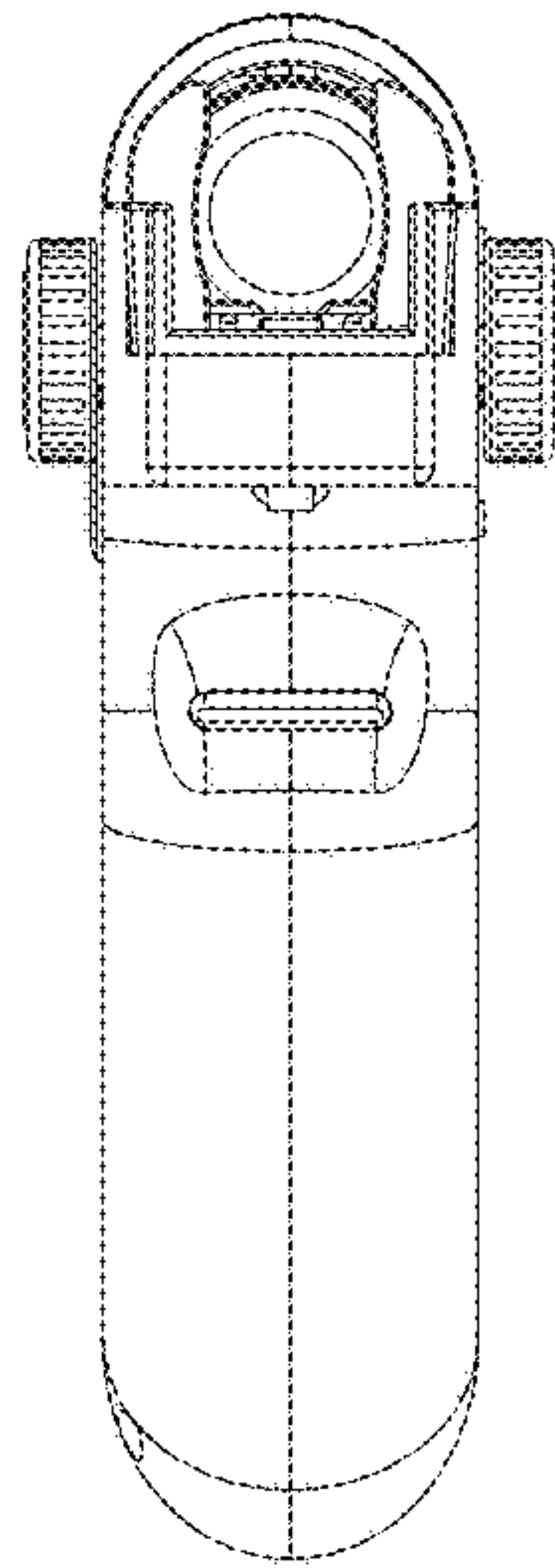


FIG. 3

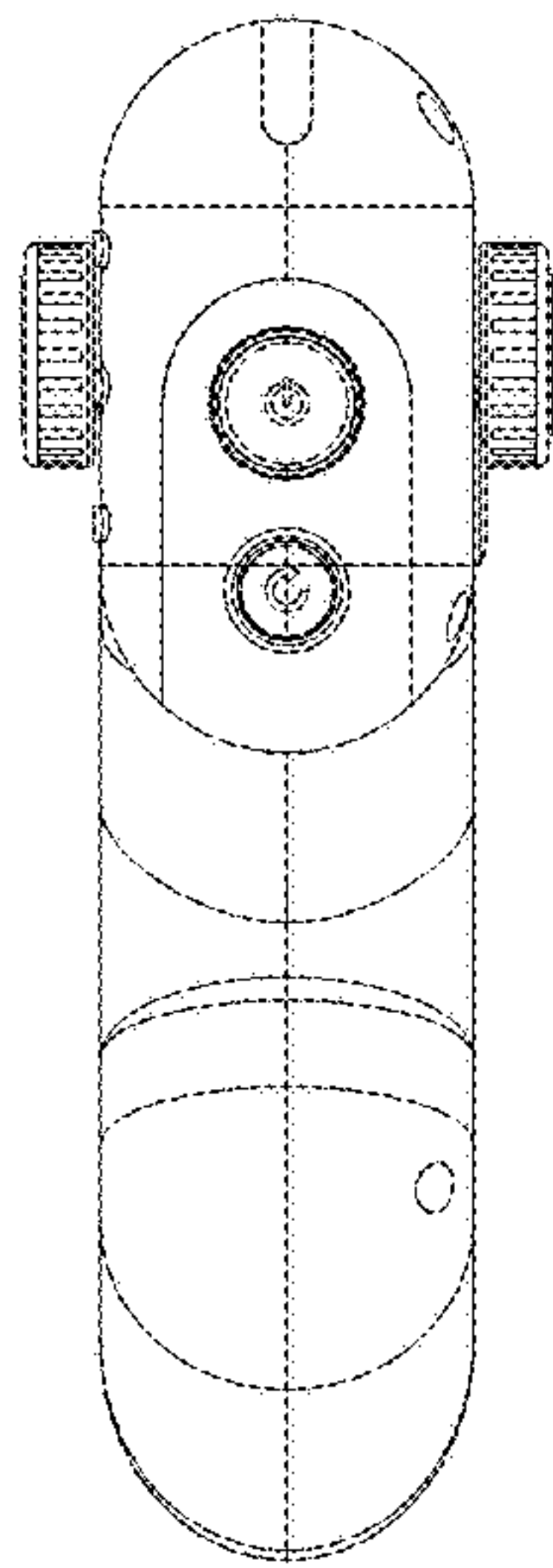


FIG. 4

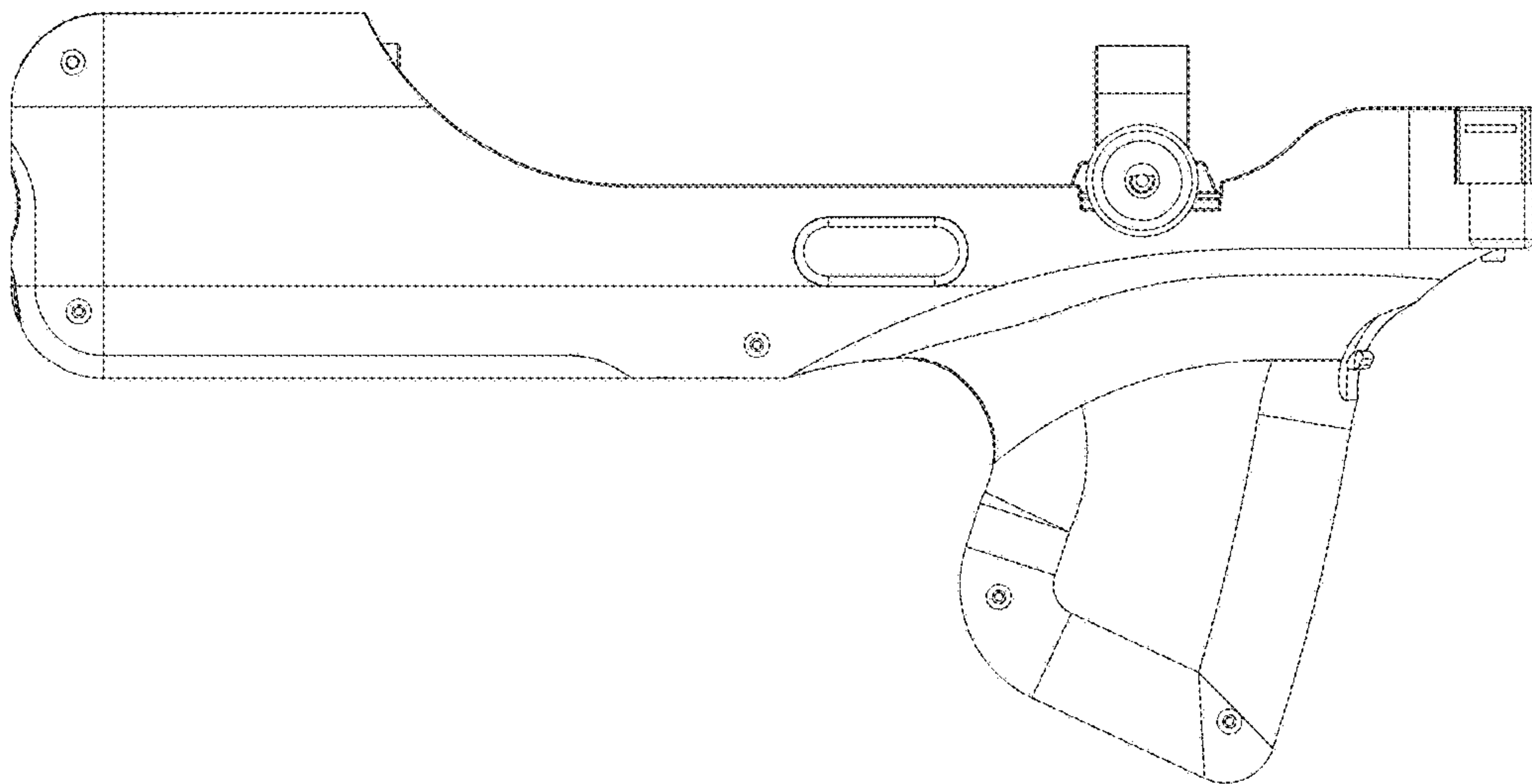


FIG. 5

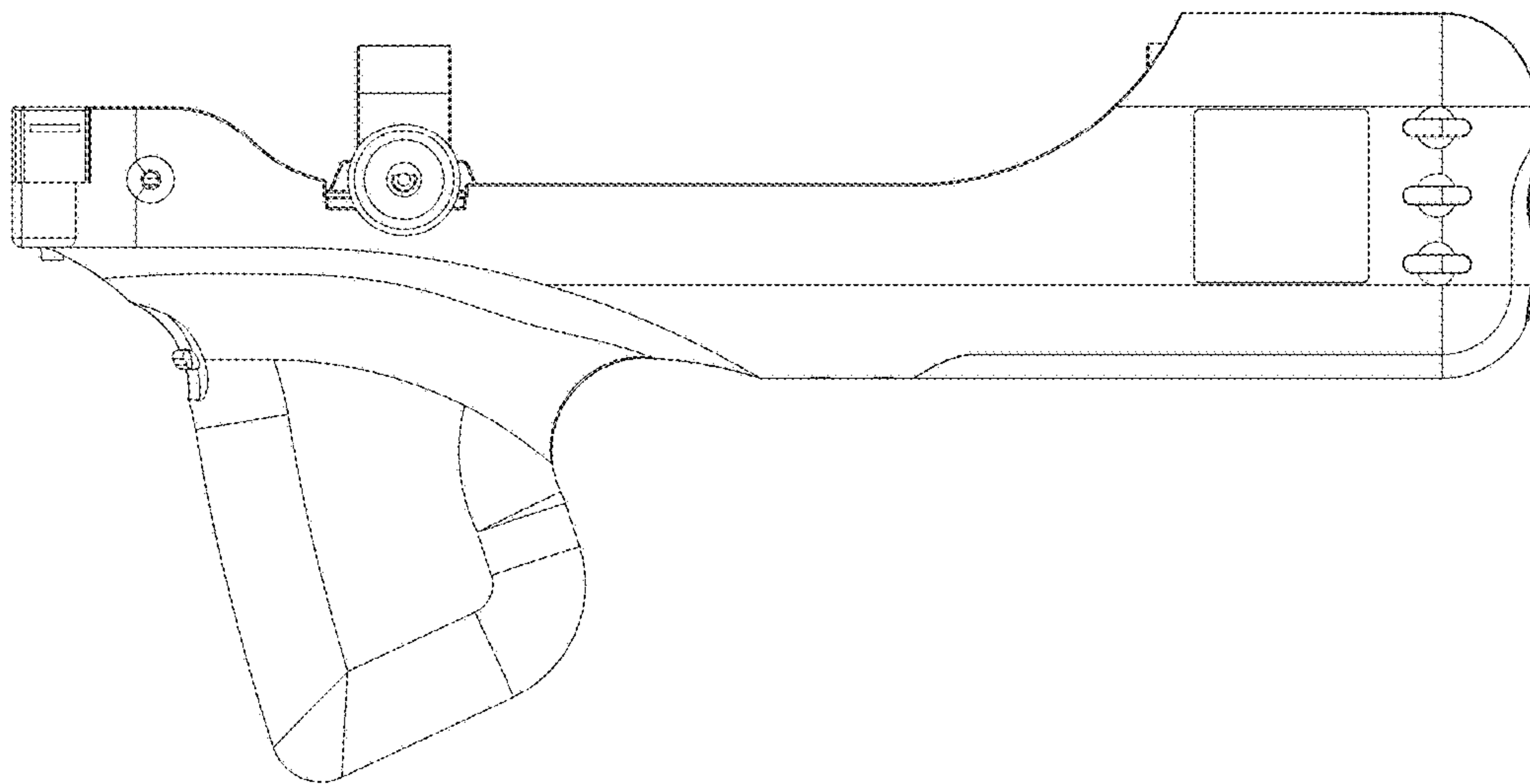


FIG. 6

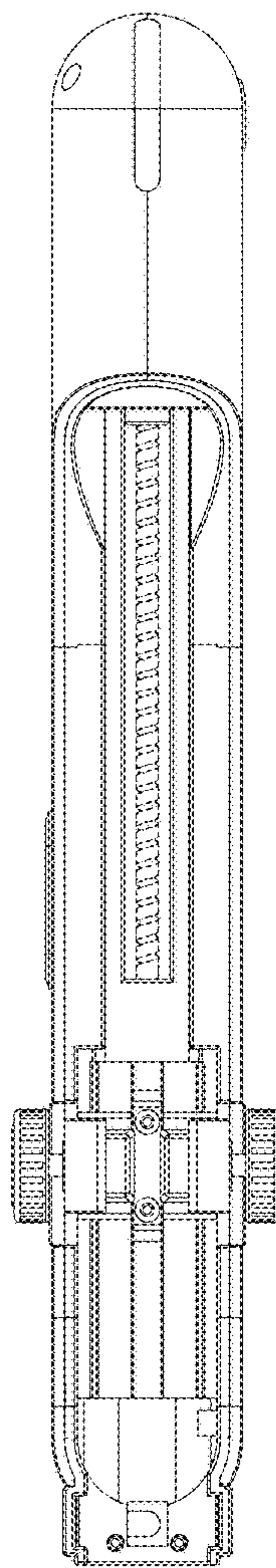


FIG. 7

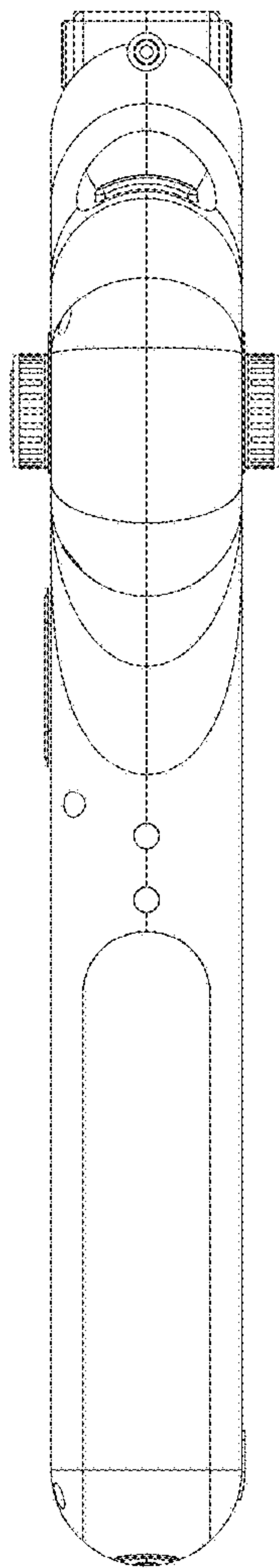


FIG. 8

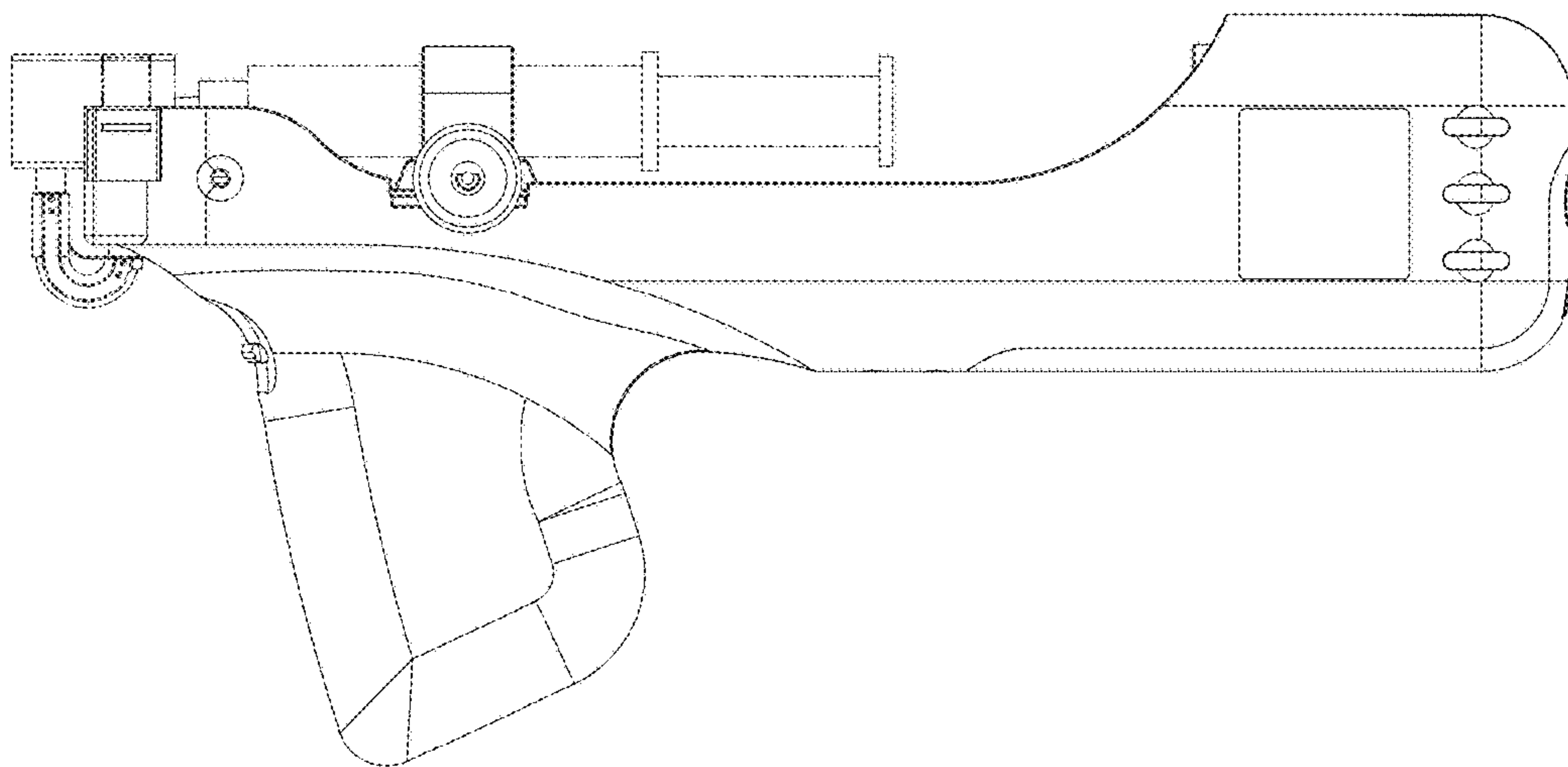


FIG. 9

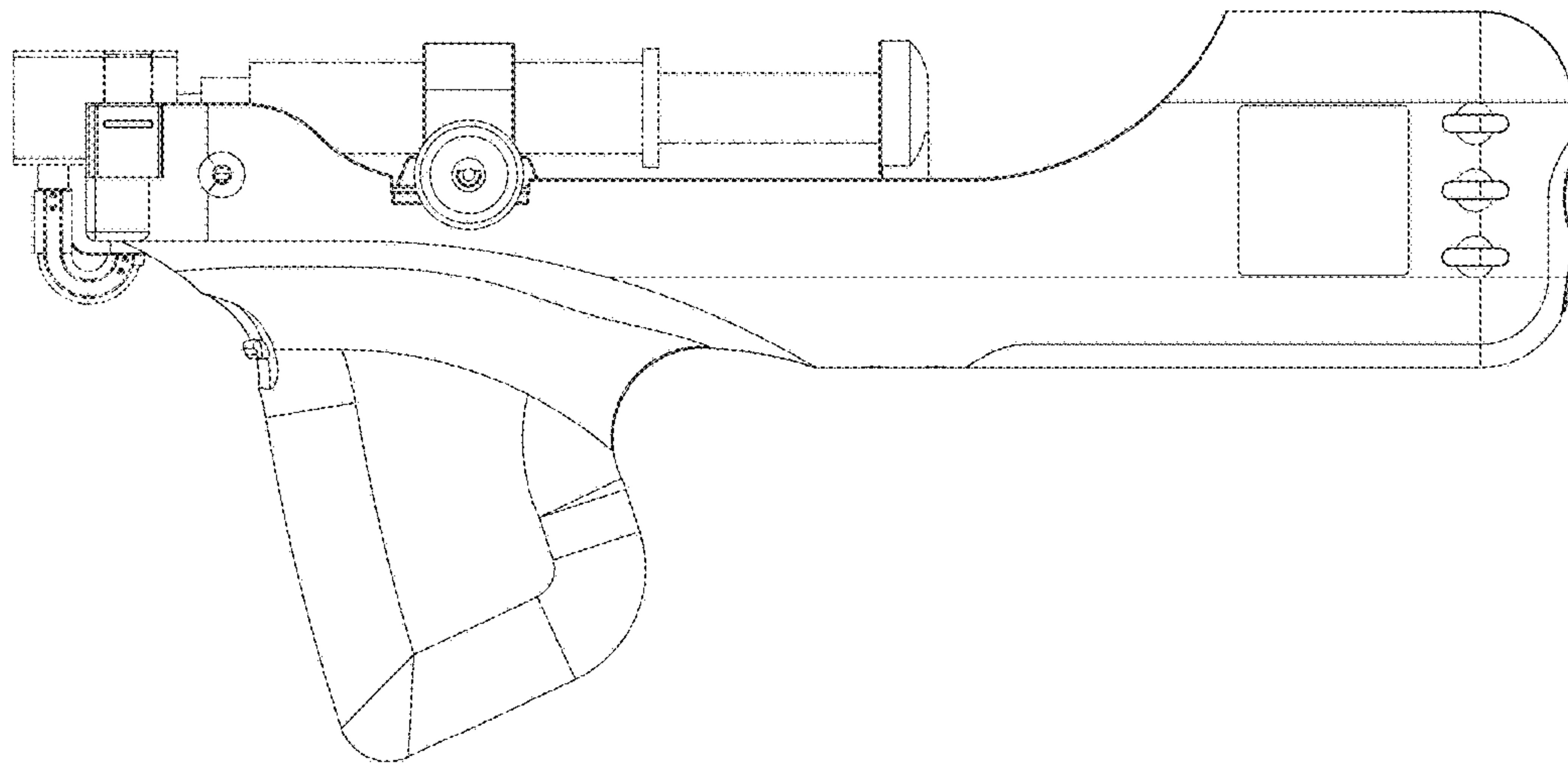


FIG. 10

