



US00D851754S

(12) **United States Design Patent**  
**Boyaval et al.**

(10) **Patent No.:** **US D851,754 S**  
(45) **Date of Patent:** **\*\* Jun. 18, 2019**

(54) **AUTOINJECTOR WITH REMOVABLE CAP**

(71) Applicant: **AMGEN INC.**, Thousand Oaks, CA (US)

(72) Inventors: **Margaux Frances Boyaval**, Newbury Park, CA (US); **Sigrid Moeslinger**, New York, NY (US); **Masamichi Udagawa**, New York, NY (US)

(73) Assignee: **AMGEN INC.**, Thousand Oaks, CA (US)

(\*\*) Term: **15 Years**

(21) Appl. No.: **29/636,560**

(22) Filed: **Feb. 9, 2018**

**Related U.S. Application Data**

(62) Division of application No. 29/561,893, filed on Apr. 20, 2016, now Pat. No. Des. 814,022.

(51) **LOC (11) Cl.** ..... **24-02**

(52) **U.S. Cl.**  
USPC ..... **D24/113**

(58) **Field of Classification Search**  
USPC ..... D24/112-114, 133, 186, 127-131;  
606/181, 185; 604/264, 272, 115, 232,  
(Continued)

(56) **References Cited**

**U.S. PATENT DOCUMENTS**

D321,472 S 11/1991 Evans et al.  
D443,641 S 6/2001 Mader  
(Continued)

*Primary Examiner* — David G Muller

*Assistant Examiner* — Nathan M Johnston

(74) *Attorney, Agent, or Firm* — Marshall, Gerstein & Borun LLP

(57) **CLAIM**

The ornamental design for an autoinjector with removable cap, as shown and described.

**DESCRIPTION**

FIG. 1 is a perspective view showing a new design for an autoinjector with a removable cap having a cylindrical side profile, showing the removable cap disposed on the autoinjector;

FIG. 2 is a front elevation view thereof;

FIG. 3 is a rear elevation view thereof;

FIG. 4 is a left-side elevation view thereof;

FIG. 5 is a right-side elevation view thereof;

FIG. 6 is a top plan view thereof;

FIG. 7 is a bottom plan view thereof;

FIG. 8 is a perspective view showing the autoinjector with removable cap of FIGS. 1-7 with the removable cap removed;

FIG. 9 is a perspective view showing an alternative new design for an autoinjector with a removable cap having a triangular shaped side profile, showing the removable cap disposed on the autoinjector;

FIG. 10 is a front elevation view thereof;

FIG. 11 is a rear elevation view thereof;

FIG. 12 is a left-side elevation view thereof;

FIG. 13 is a right-side elevation view thereof;

FIG. 14 is a top plan view thereof;

FIG. 15 is a bottom plan view thereof;

FIG. 16 is a perspective view showing the autoinjector with removable cap of FIGS. 9-15 with the removable cap removed;

FIG. 17 is a perspective view showing an alternative new design for an autoinjector with a removable cap having a flared side profile, showing the removable cap disposed on the autoinjector;

FIG. 18 is a front elevation view thereof;

FIG. 19 is a rear elevation view thereof;

FIG. 20 is a left-side elevation view thereof;

FIG. 21 is a right-side elevation view thereof;

FIG. 22 is a top plan view thereof;

FIG. 23 is a bottom plan view thereof; and,

(Continued)

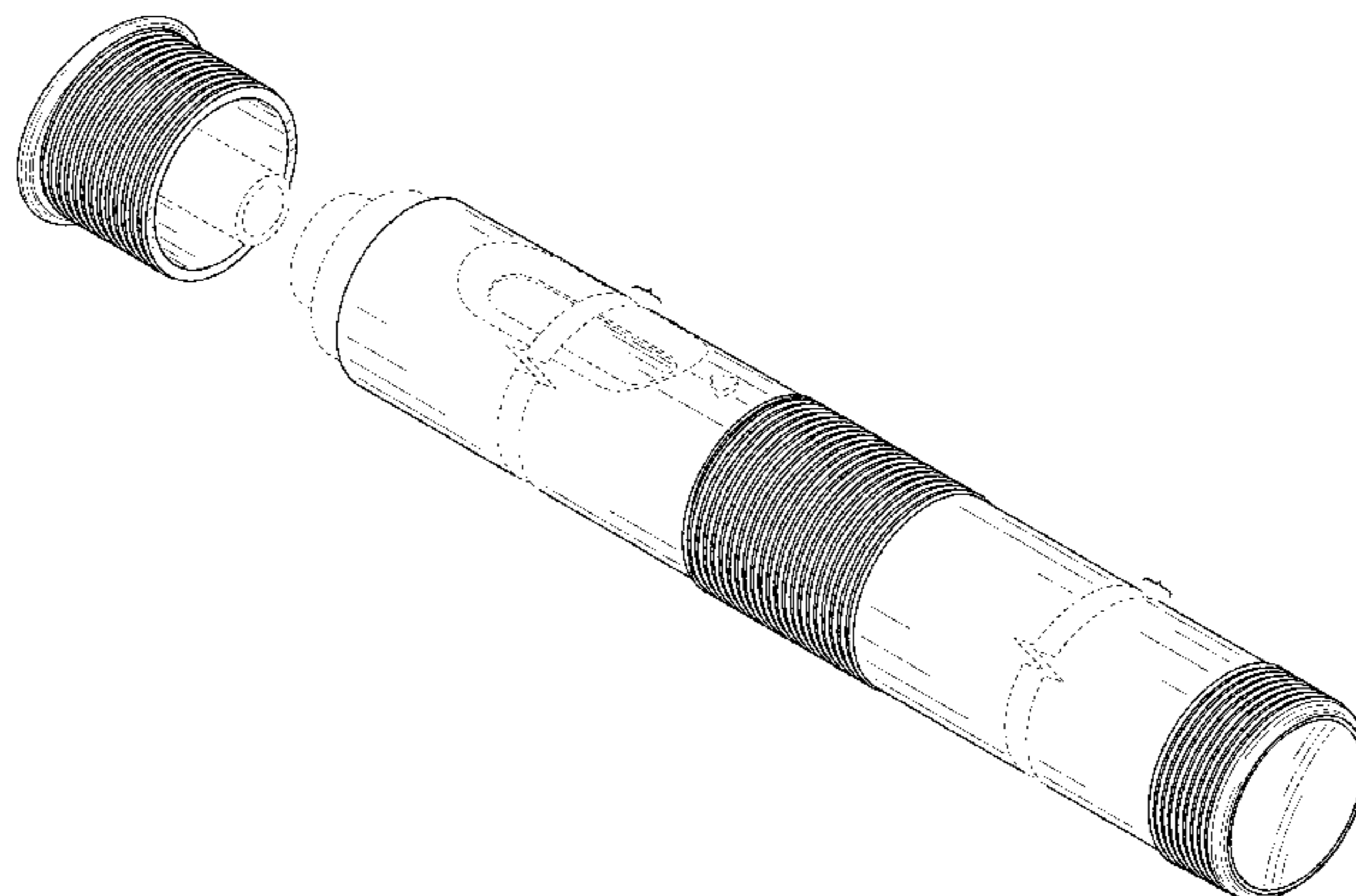


FIG. 24 is a perspective view showing the autoinjector with removable cap of FIGS. 17-23 with the removable cap removed.

The dashed lines showing portions of the autoinjector drug delivery device are included for the purpose of illustrating environment and form no part of the claimed design.

The autoinjector with removable cap is shown with a symbolic break in its length. The appearance of any portion of the article between the break lines forms no part of the claimed design.

**1 Claim, 12 Drawing Sheets**

**(58) Field of Classification Search**

USPC .. 604/187, 158, 164.08, 192, 263, 163, 181, 604/184, 198, 227; 600/101, 139, 143; 128/200.24, 207.14, 207.15; D19/115-123, 177, 193  
 CPC ..... A61M 5/3156; A61M 5/31591; A61M 5/3155; A61M 5/3157; A61M 5/24; A61M 5/31501; A61M 5/31551; A61M 5/31585; A61M 2005/2407; A61M 2005/2492; A61M 2205/581; A61M 2205/582

See application file for complete search history.

**(56) References Cited**

**U.S. PATENT DOCUMENTS**

D497,806 S \* 11/2004 Nichols ..... D9/417  
 D545,895 S \* 7/2007 Okutani ..... D19/117  
 D612,486 S \* 3/2010 Van der Stappen ..... D24/113  
 D622,374 S 8/2010 Julian et al.  
 D626,994 S \* 11/2010 Gerules ..... D19/117

D627,061 S \* 11/2010 Van der Stappen ..... D24/113  
 D628,690 S \* 12/2010 Galbraith ..... D24/114  
 D629,509 S 12/2010 Julian et al.  
 D696,774 S \* 12/2013 Guarraia ..... D24/113  
 D697,205 S 1/2014 Schneider et al.  
 D708,317 S \* 7/2014 Schneider ..... D24/113  
 D714,932 S \* 10/2014 Hall ..... D24/112  
 D721,802 S 1/2015 Ohashi  
 D728,782 S 5/2015 Dubuc et al.  
 D757,255 S 5/2016 Wohlfahrt et al.  
 D758,569 S \* 6/2016 Wohlfahrt ..... D24/113  
 D758,570 S \* 6/2016 Wohlfahrt ..... D24/113  
 D765,240 S \* 8/2016 Hauck ..... D24/113  
 D766,425 S \* 9/2016 Hauck ..... D24/113  
 D770,610 S \* 11/2016 Saussaye ..... D24/113  
 D773,648 S 12/2016 Wohlfahrt et al.  
 D774,641 S 12/2016 Miggels et al.  
 D775,279 S \* 12/2016 Shen ..... D19/117  
 D780,909 S 3/2017 Burkett et al.  
 D794,777 S \* 8/2017 Daniel ..... D24/113  
 D814,022 S \* 3/2018 Boyaval ..... D24/113  
 D819,198 S \* 5/2018 Boyaval ..... D24/113  
 D819,200 S \* 5/2018 Stonecipher ..... D24/114  
 2004/0068283 A1 \* 4/2004 Fukuzawa ..... A61B 5/15186  
 606/181  
 2013/0060231 A1 \* 3/2013 Adlon ..... A61M 5/3234  
 604/506  
 2014/0221936 A1 \* 8/2014 Edhouse ..... A61M 5/31533  
 604/198  
 2014/0330216 A1 \* 11/2014 Weaver ..... A61M 5/31513  
 604/198  
 2014/0343507 A1 \* 11/2014 Karlsson ..... A61M 5/2466  
 604/198  
 2014/0364812 A1 \* 12/2014 Lumme ..... A61M 5/2033  
 604/198  
 2014/0371684 A1 12/2014 Holmqvist  
 2015/0335829 A1 \* 11/2015 Giambattista ..... A61M 5/2033  
 604/192  
 2016/0263325 A1 9/2016 Huthmacher et al.

\* cited by examiner

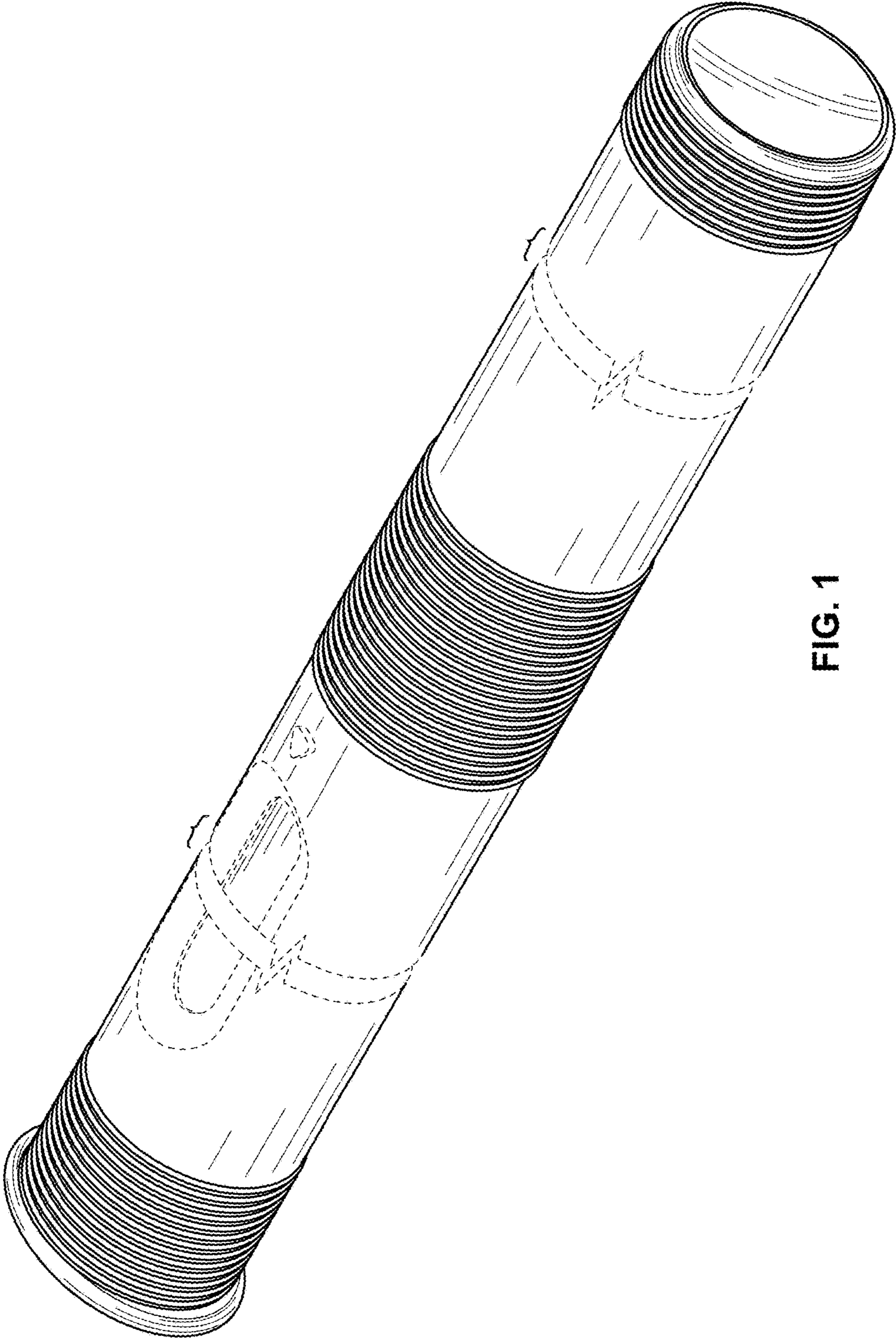


FIG. 1

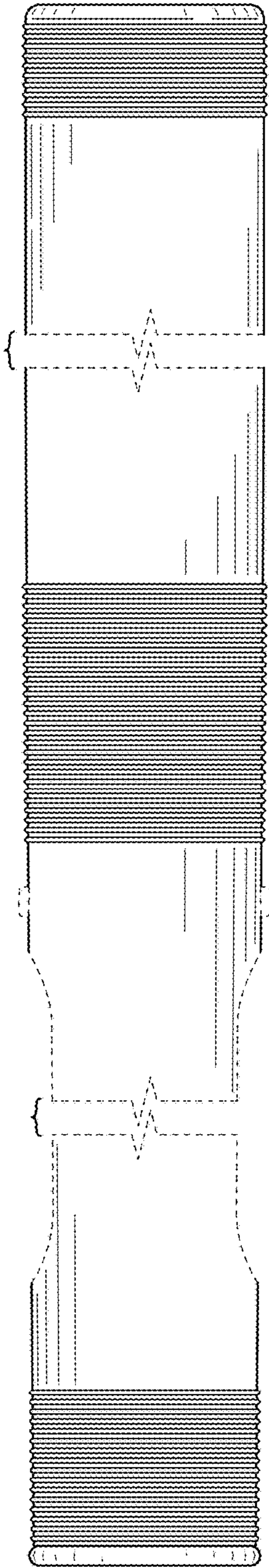


FIG. 2

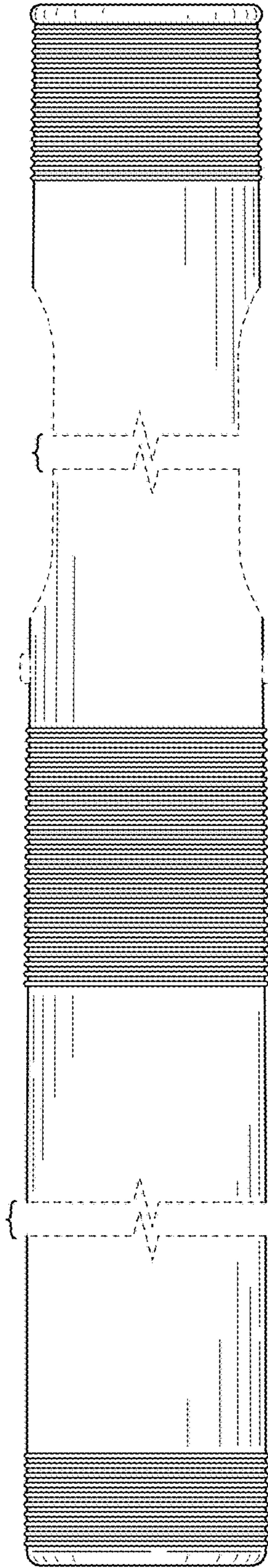


FIG. 3

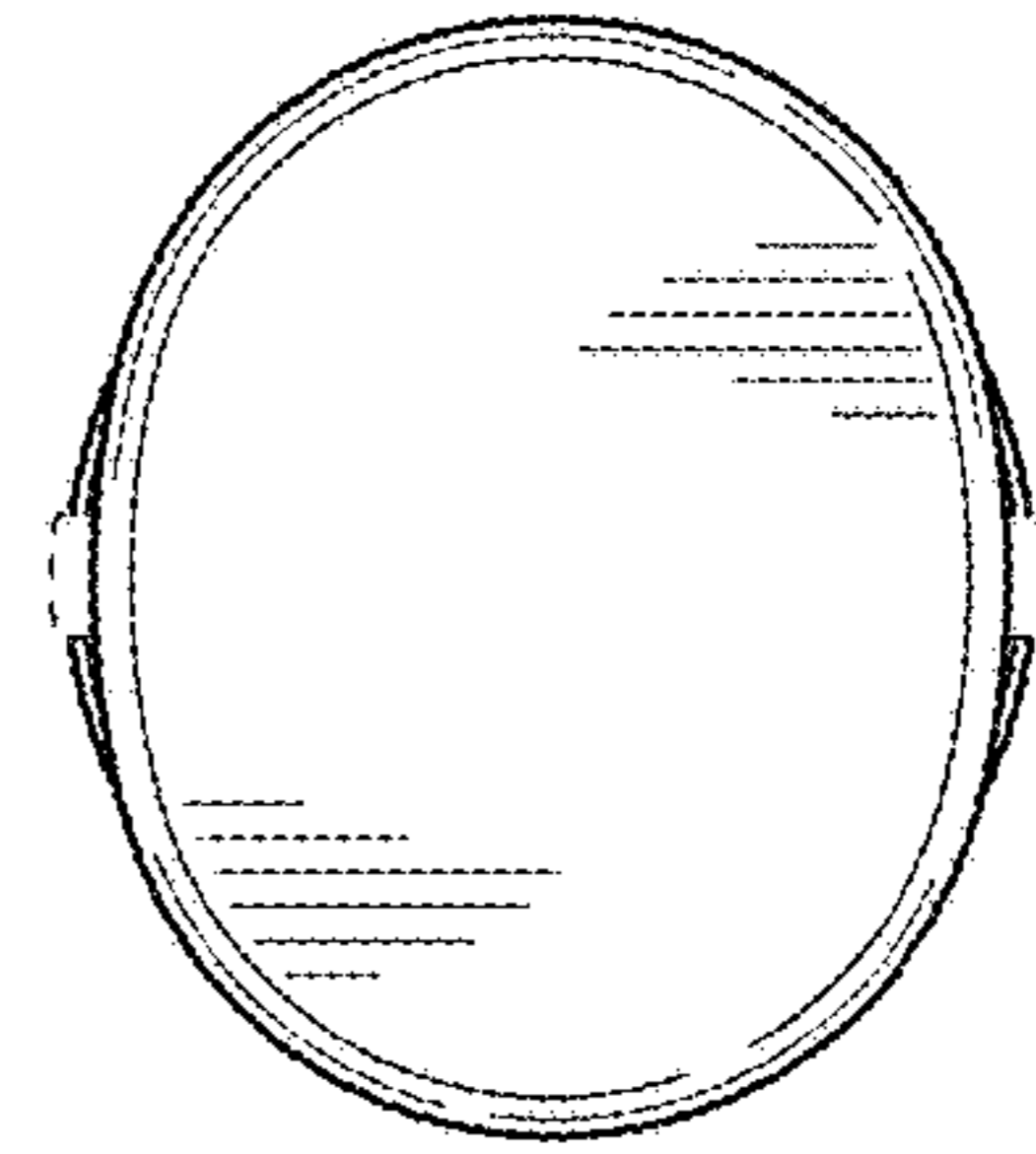


FIG. 5

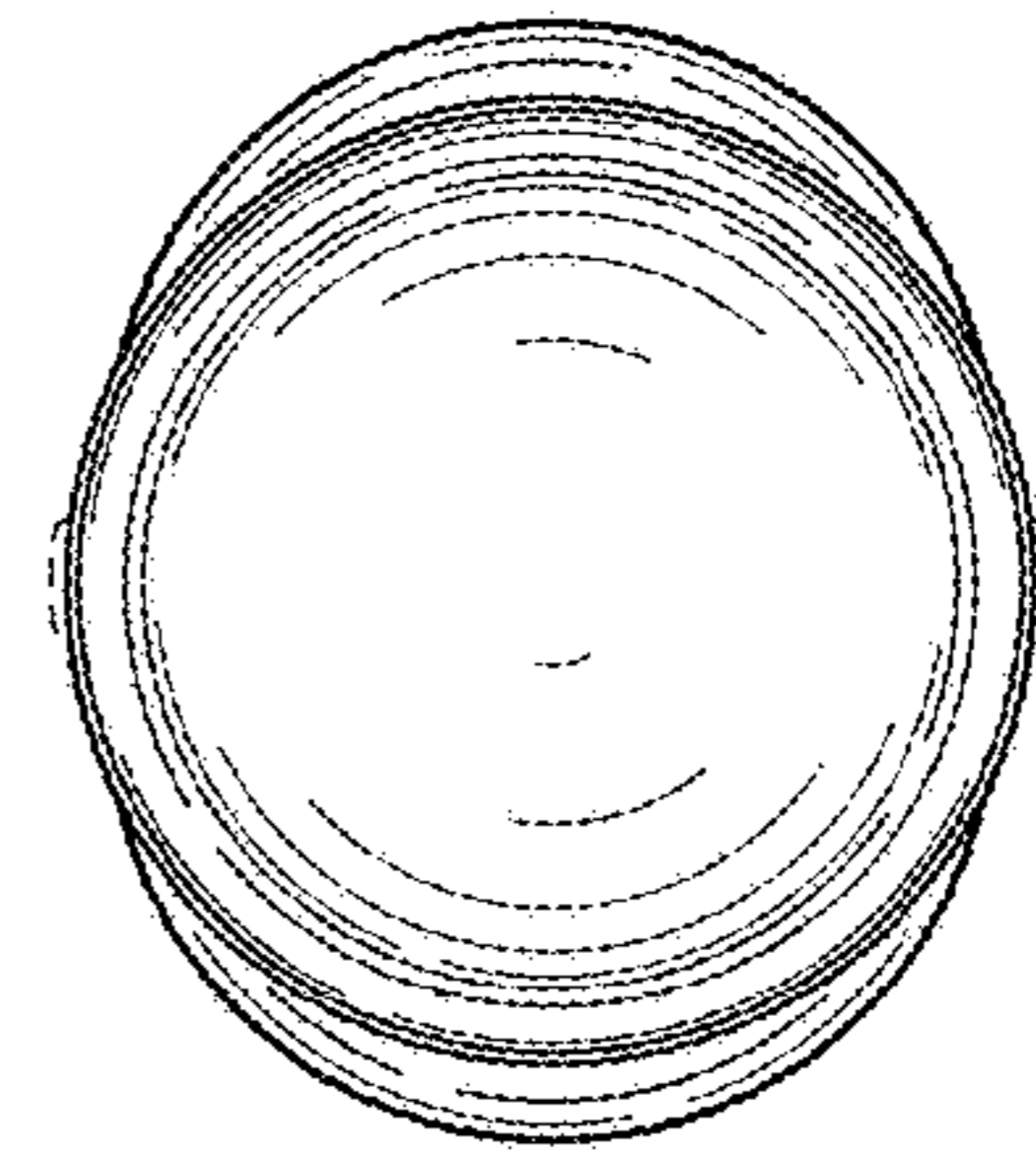


FIG. 4

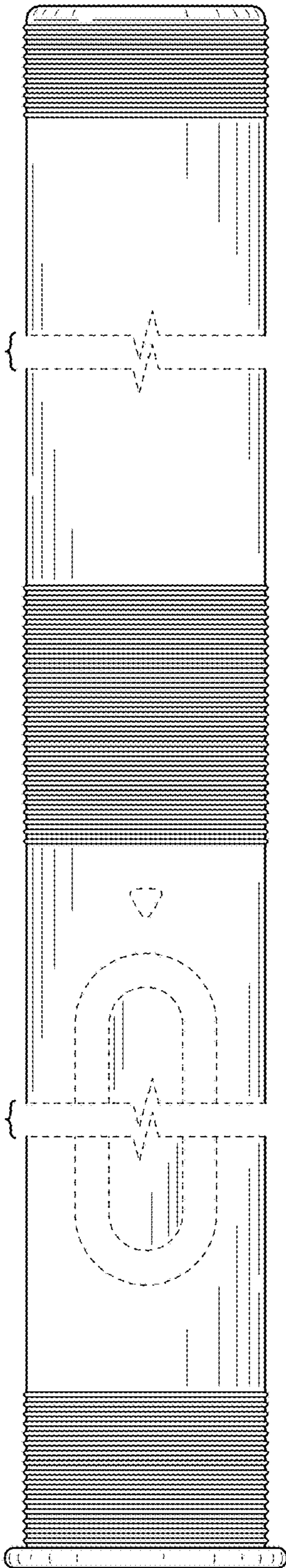


FIG. 6

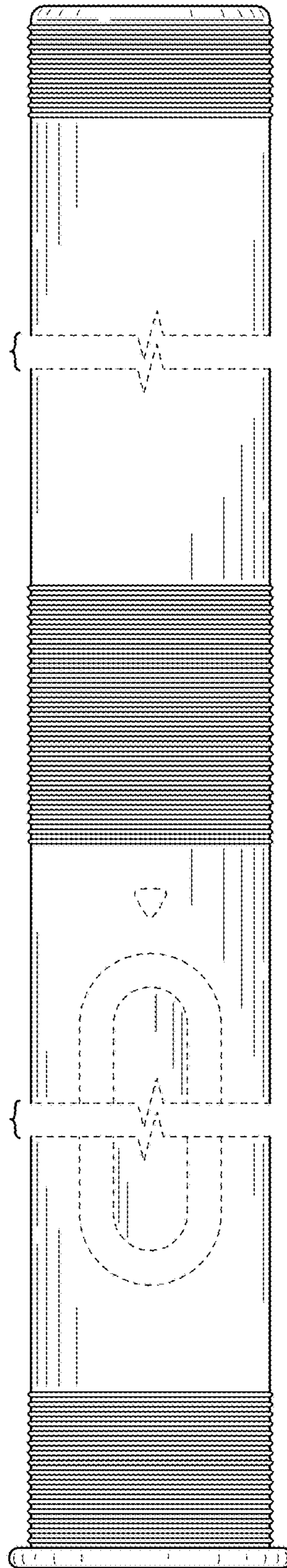
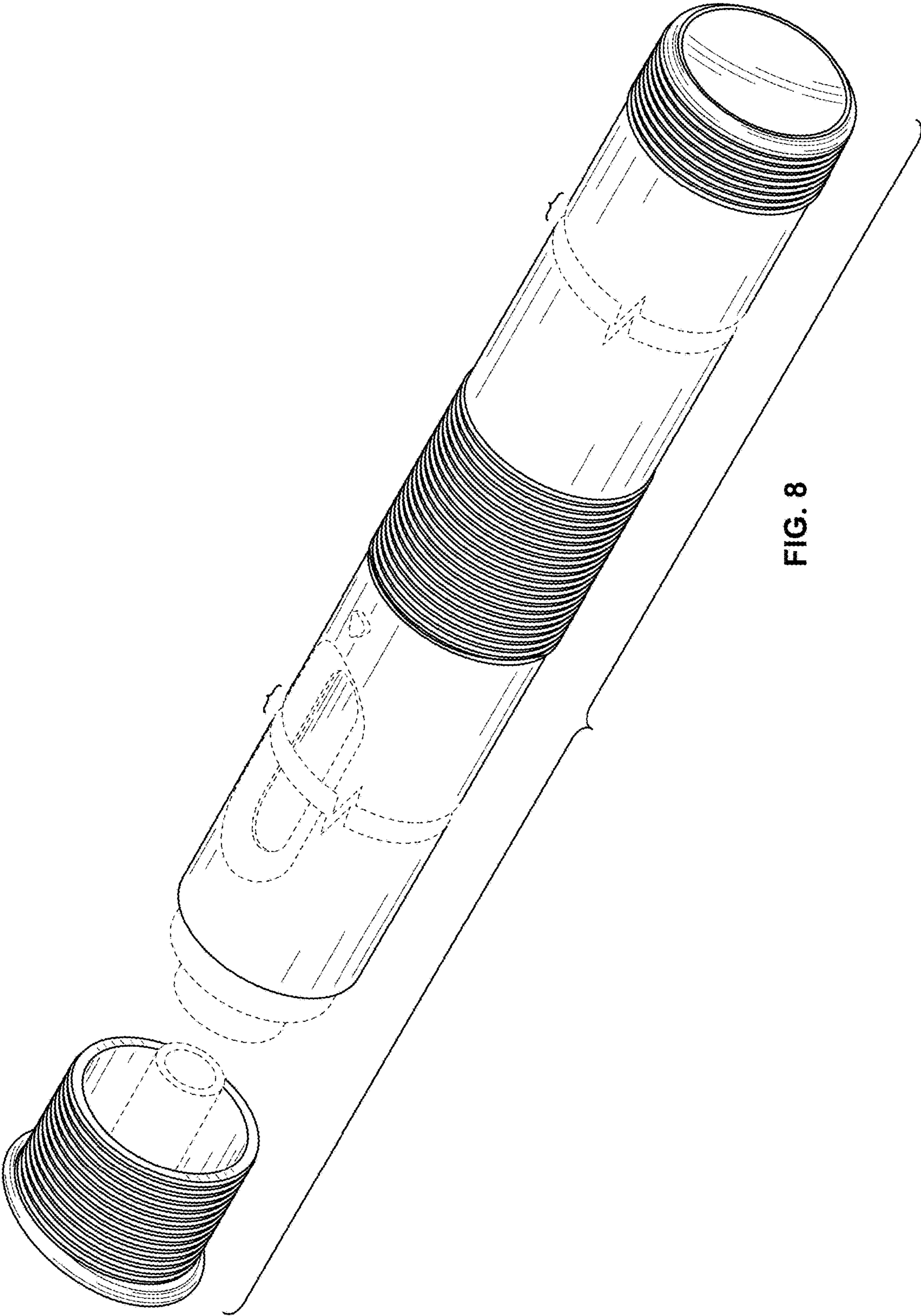


FIG. 7



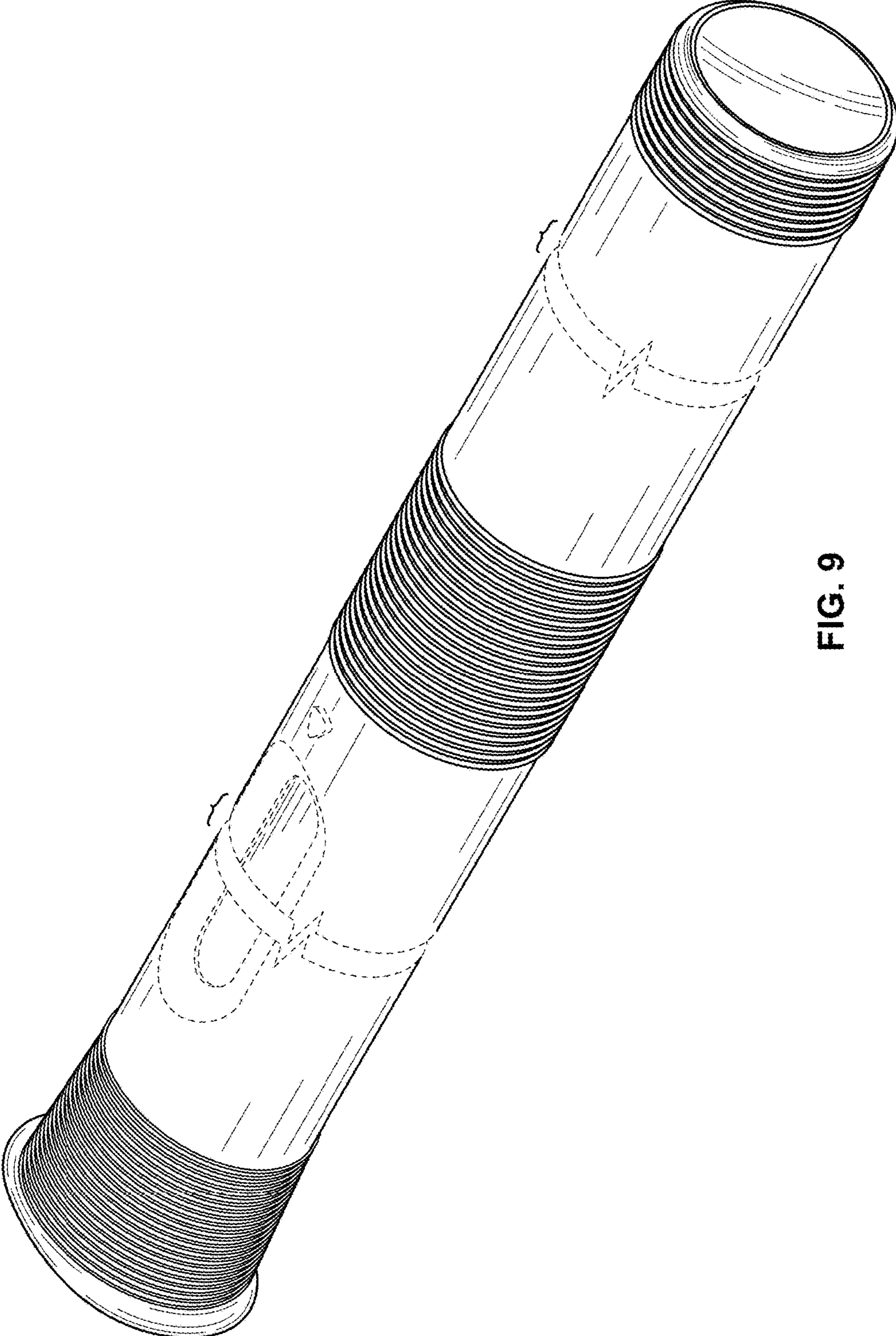


FIG. 9

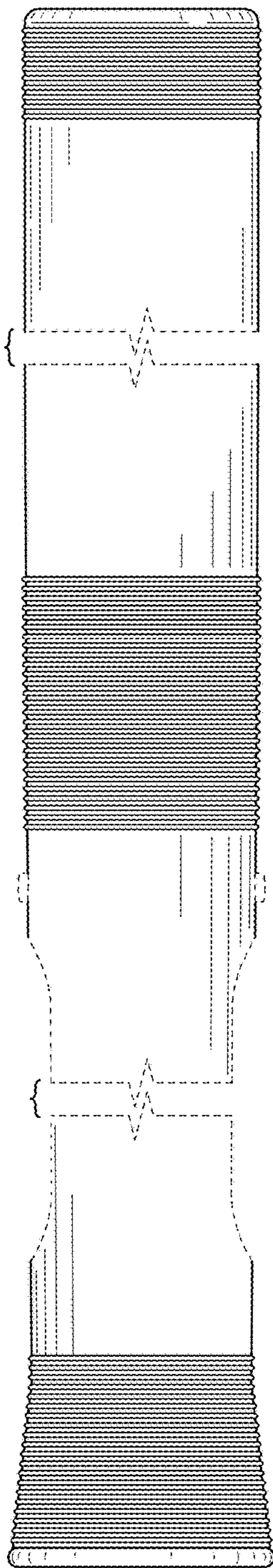


FIG. 10

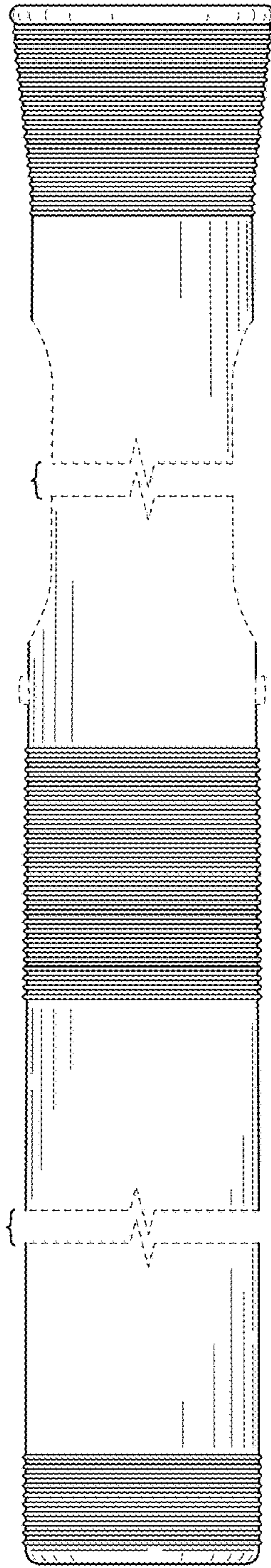


FIG. 11

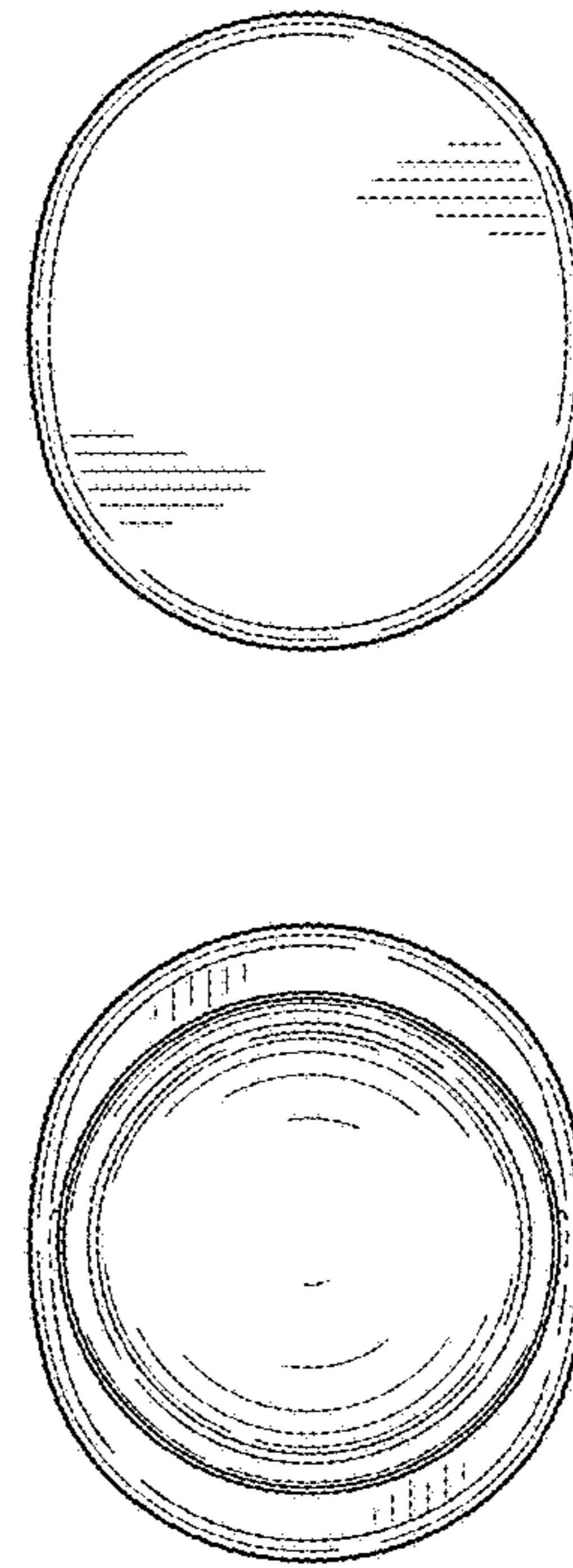


FIG. 12

FIG. 13



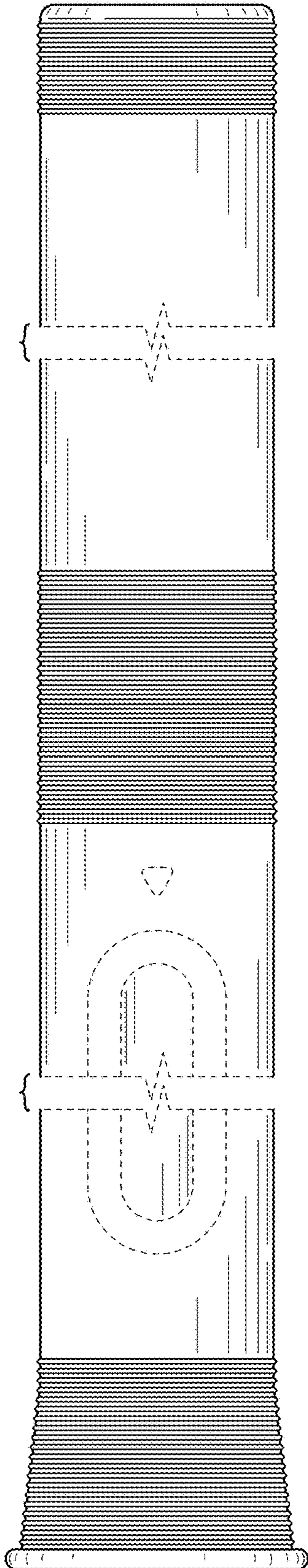


FIG. 14

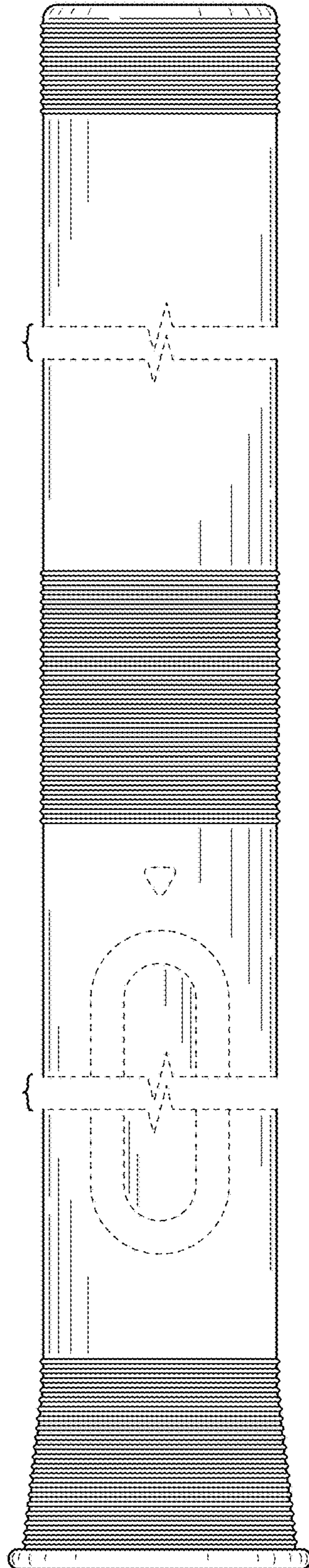


FIG. 15

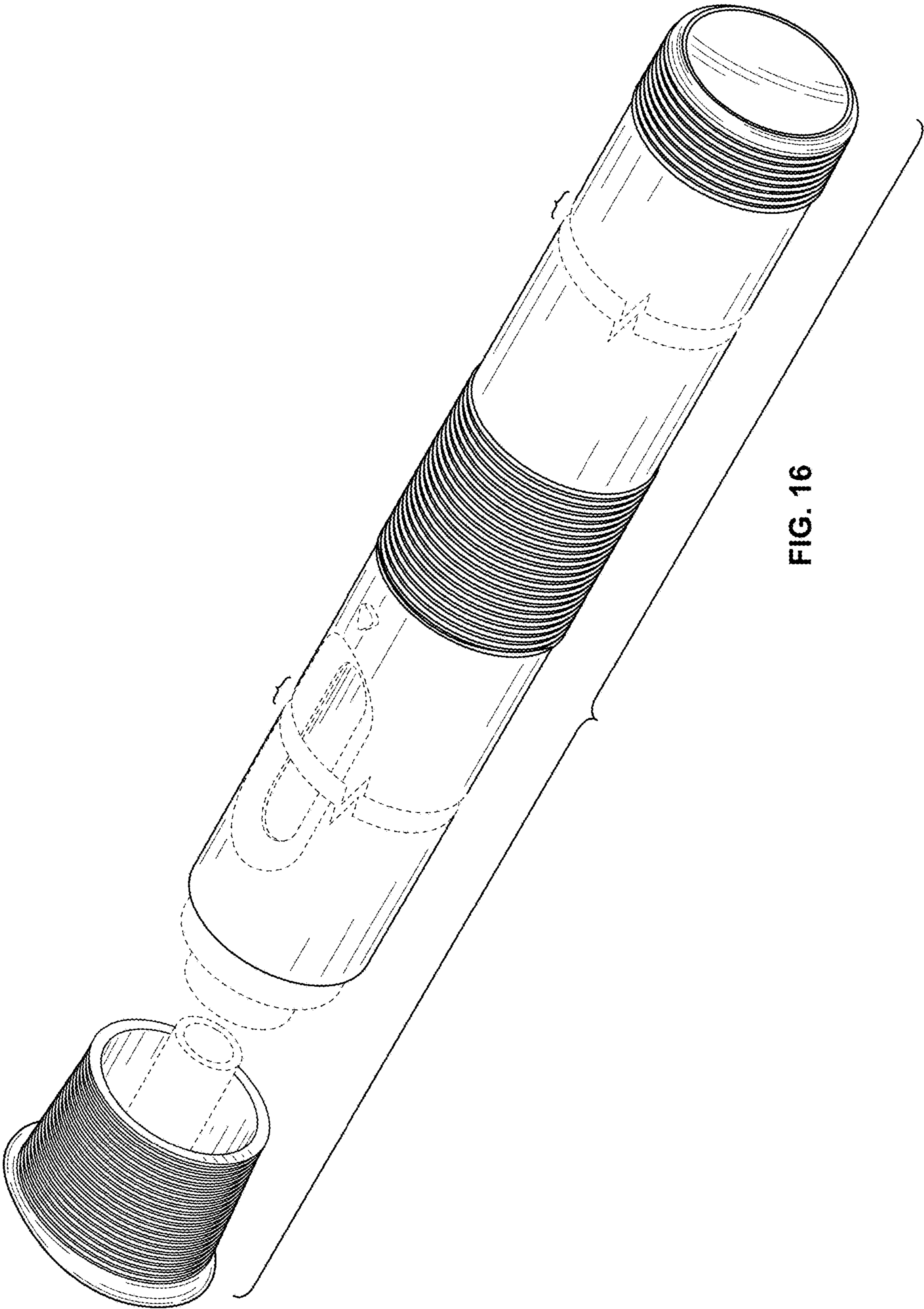


FIG. 16

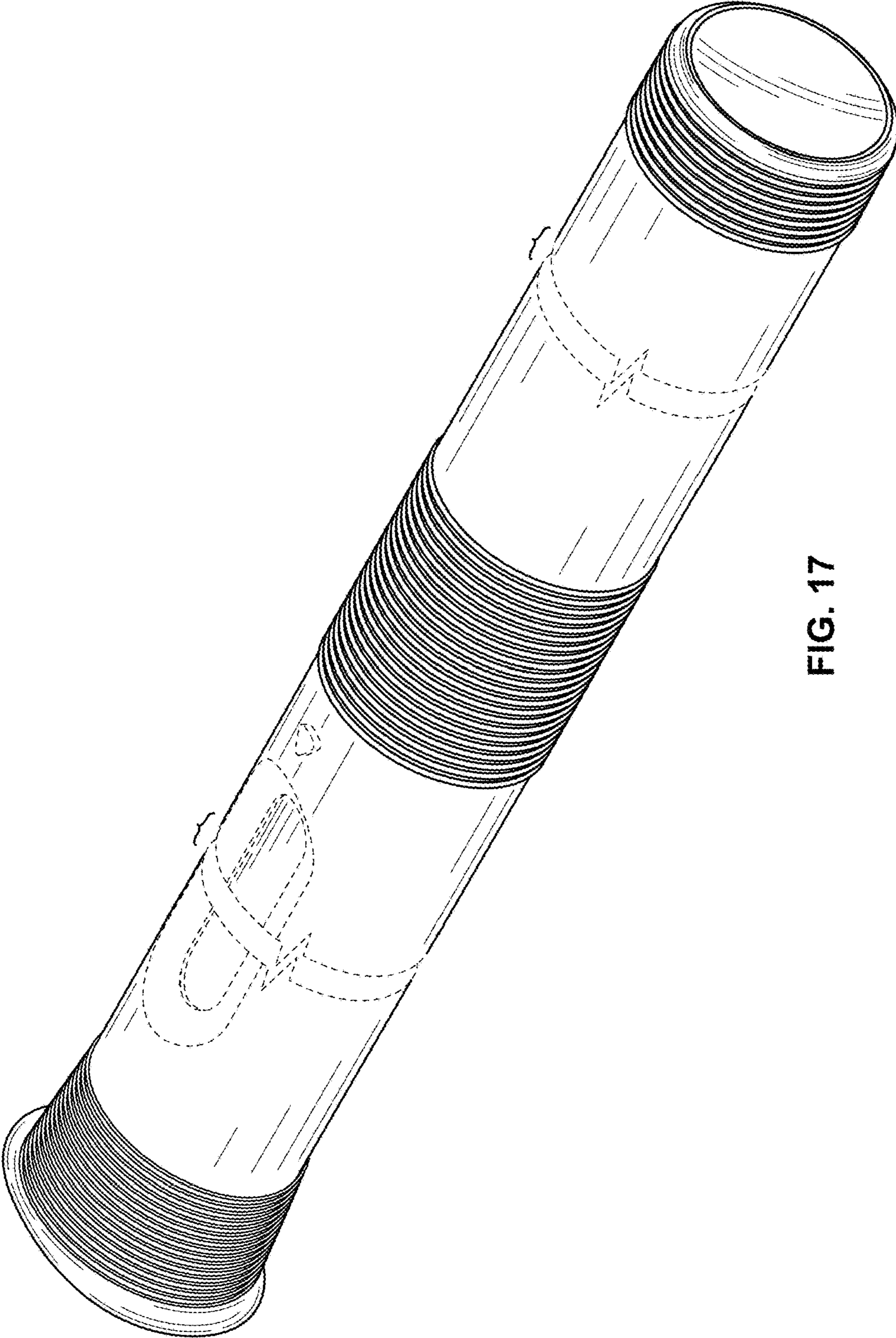


FIG. 17

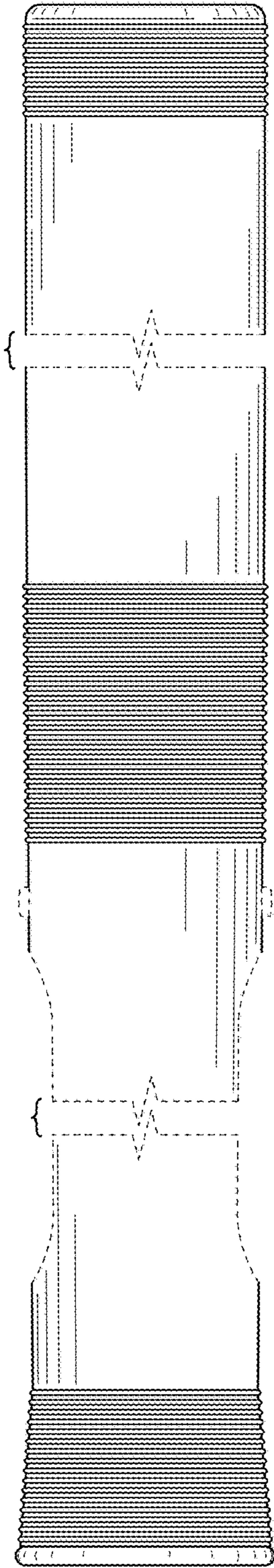


FIG. 18

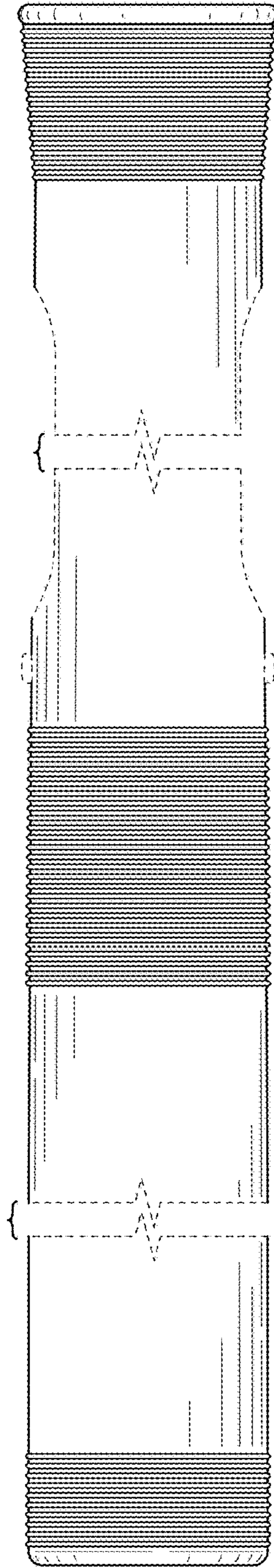


FIG. 19

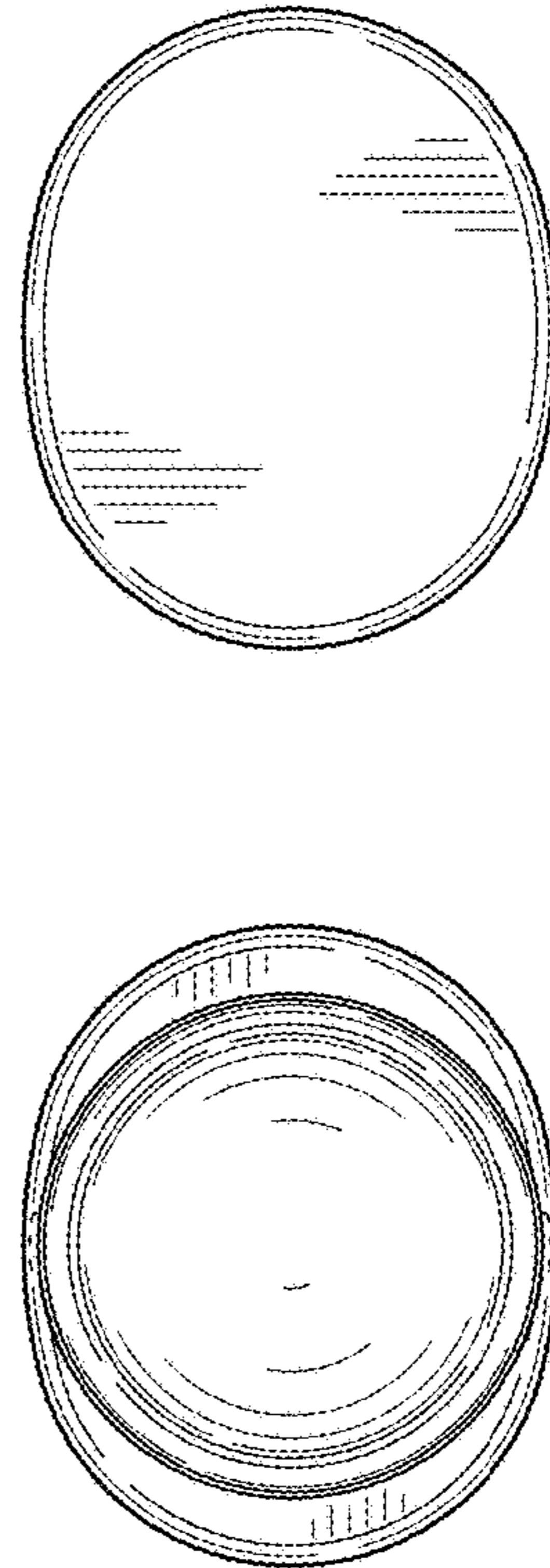


FIG. 21

FIG. 20

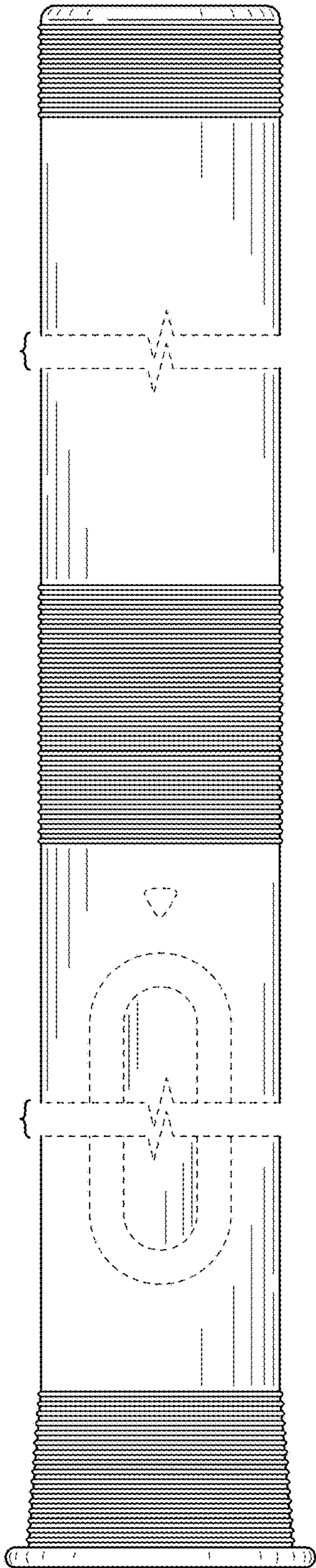


FIG. 22

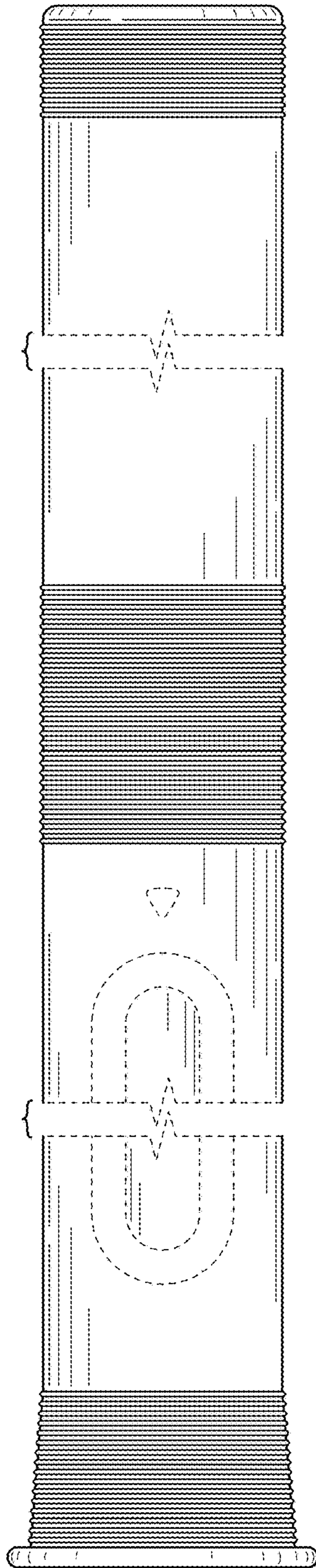


FIG. 23

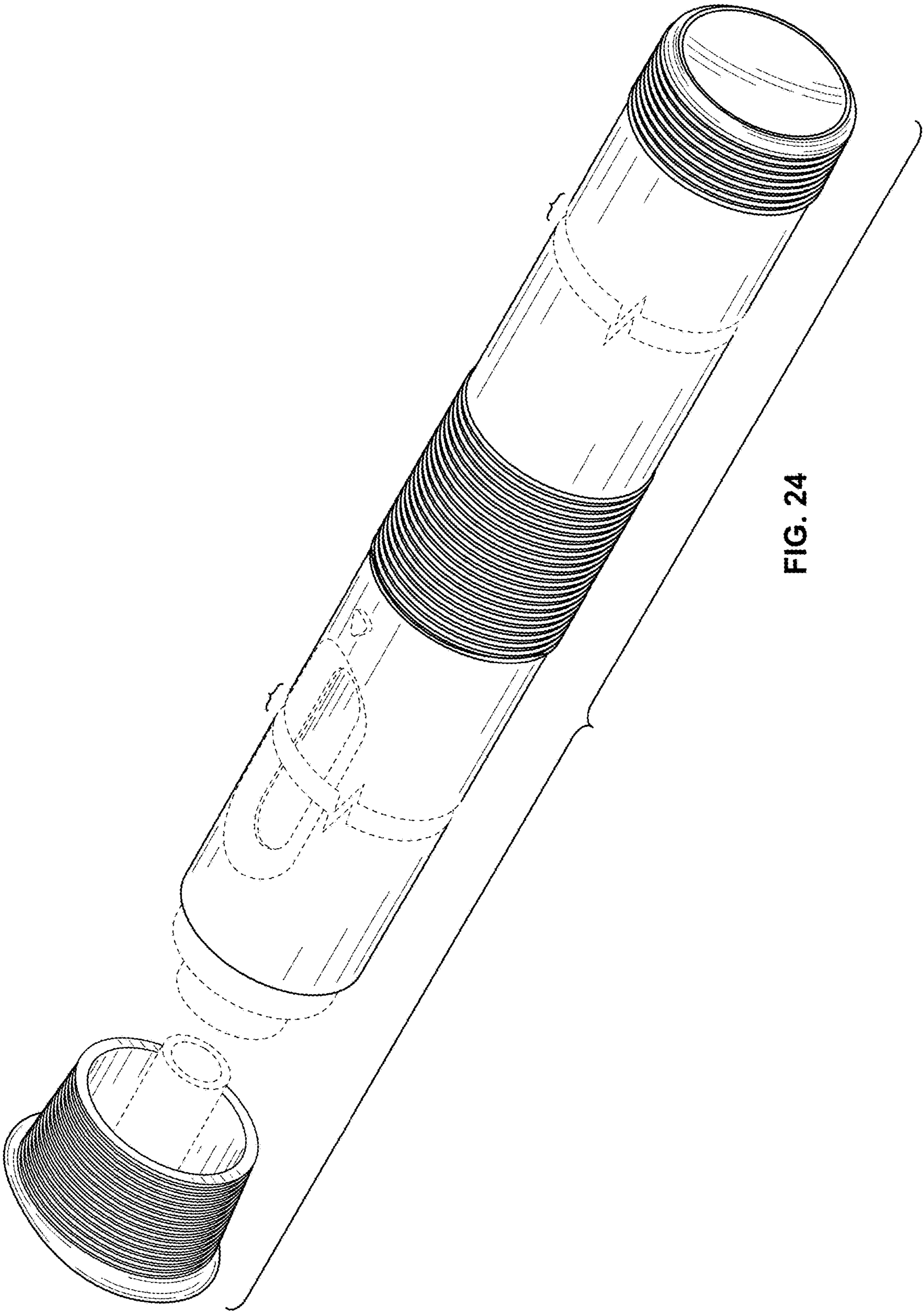


FIG. 24