



US00D851753S

(12) **United States Design Patent**
Green

(10) **Patent No.:** **US D851,753 S**

(45) **Date of Patent:** **** Jun. 18, 2019**

(54) **AIR REMOVAL DEVICE**

(71) Applicant: **Richard Green**, Santa Monica, CA
(US)

(72) Inventor: **Richard Green**, Santa Monica, CA
(US)

(73) Assignee: **AILNH, LLC**, Boca Raton, FL (US)

(**) Term: **15 Years**

(21) Appl. No.: **29/631,602**

(22) Filed: **Dec. 29, 2017**

(51) **LOC (11) Cl.** **24-02**

(52) **U.S. Cl.**
USPC **D24/112**

(58) **Field of Classification Search**
USPC D24/112–114, 108, 130, 127, 133, 186;
606/181, 185; 604/264, 523–528, 272,
604/164.01–164.11, 187, 93.01; 600/101,
600/139, 143; 128/200.24, 207.14,
128/207.15

CPC .. A61M 25/065; A61M 5/42; A61M 25/0612;
A61M 25/00; A61M 39/00; A61M 27/00;
A61M 25/0043; A61M 25/0067; A61M
25/0097; A61F 2/958

See application file for complete search history.

(56) **References Cited**

U.S. PATENT DOCUMENTS

6,488,649 B1 * 12/2002 Lichten A61B 17/3468
221/303
7,896,853 B2 * 3/2011 Triplett A61M 25/0014
604/284

8,137,309 B2 * 3/2012 Nishtala A61M 25/0017
604/103.01
D704,336 S * 5/2014 Chon D24/133
D715,921 S * 10/2014 Wan D24/112
D720,850 S * 1/2015 Hsia D24/130
D743,020 S * 11/2015 Mehta D24/108
D763,438 S * 8/2016 Gouret D24/108
D810,273 S * 2/2018 Maier D24/108
D818,117 S * 5/2018 Green D24/112
D821,567 S * 6/2018 Feldman D24/108

* cited by examiner

Primary Examiner — David G Muller

(74) *Attorney, Agent, or Firm* — Steve Hassid; Partners
Law Group, Inc

(57) **CLAIM**

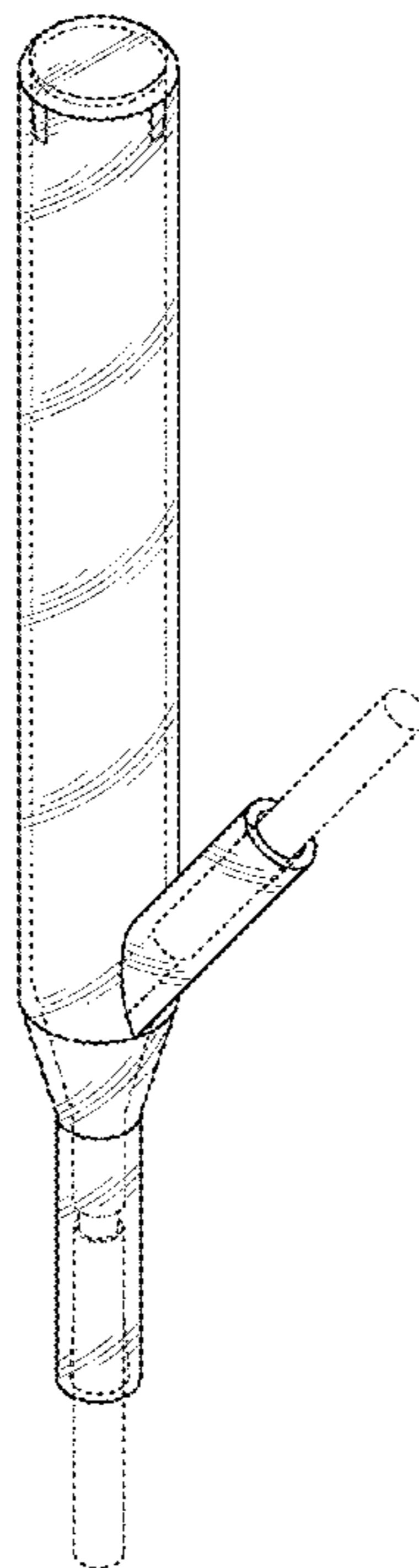
I claim the ornamental design for an air removal device, as
shown and described.

DESCRIPTION

FIG. 1 is a top front perspective view of the claimed design;
FIG. 2 is a right side view thereof;
FIG. 3 is a left side view thereof;
FIG. 4 is a front view thereof;
FIG. 5 is a rear side view thereof;
FIG. 6 is a top view thereof; and,
FIG. 7 is a bottom view thereof.

The ornamental design which is claimed is shown in solid
lines in the drawings. The broken lines in the drawings are
for illustrative purposes only and form no part of the claimed
design.

1 Claim, 4 Drawing Sheets



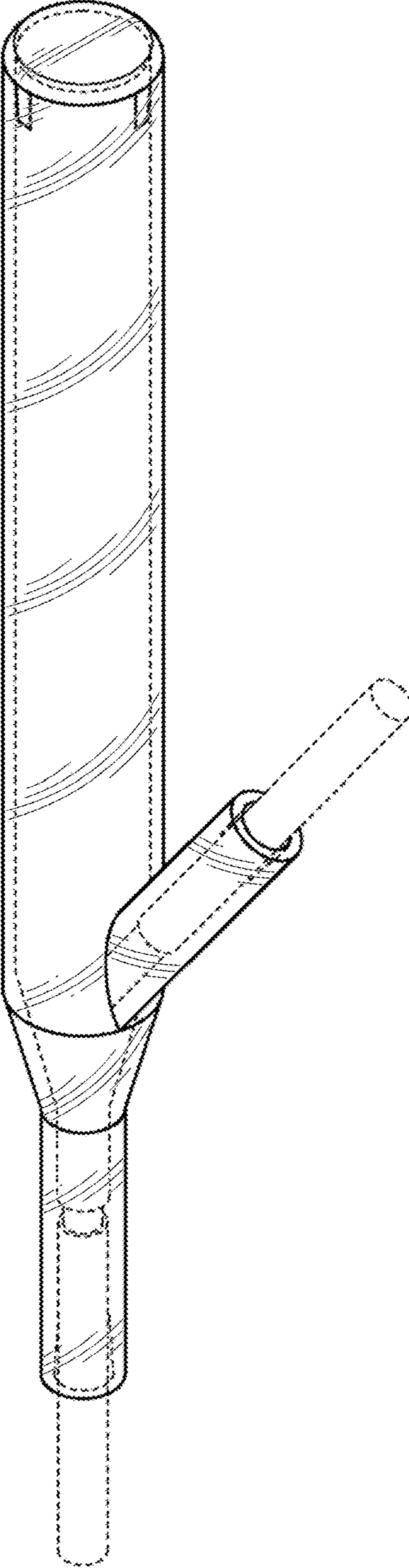


FIG. 1

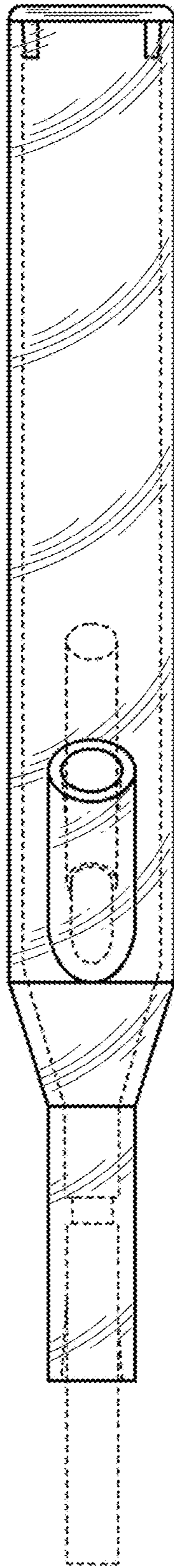


FIG. 2

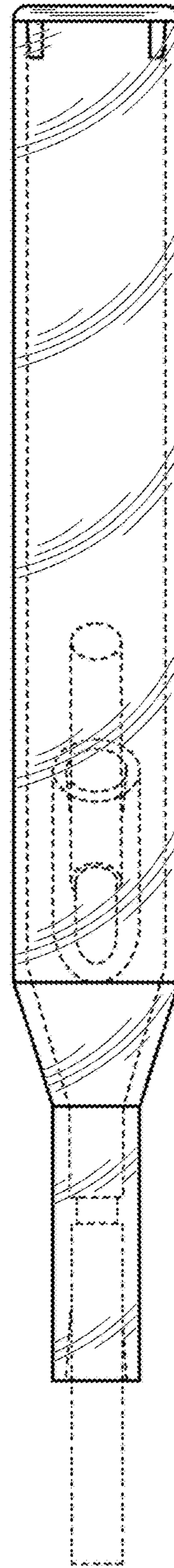
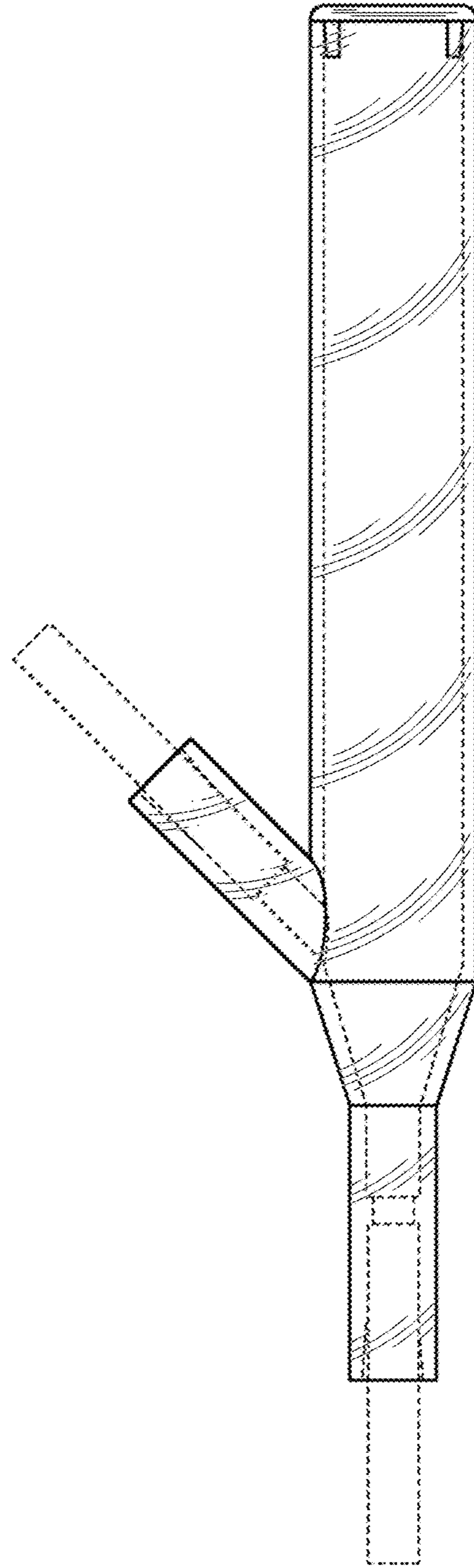
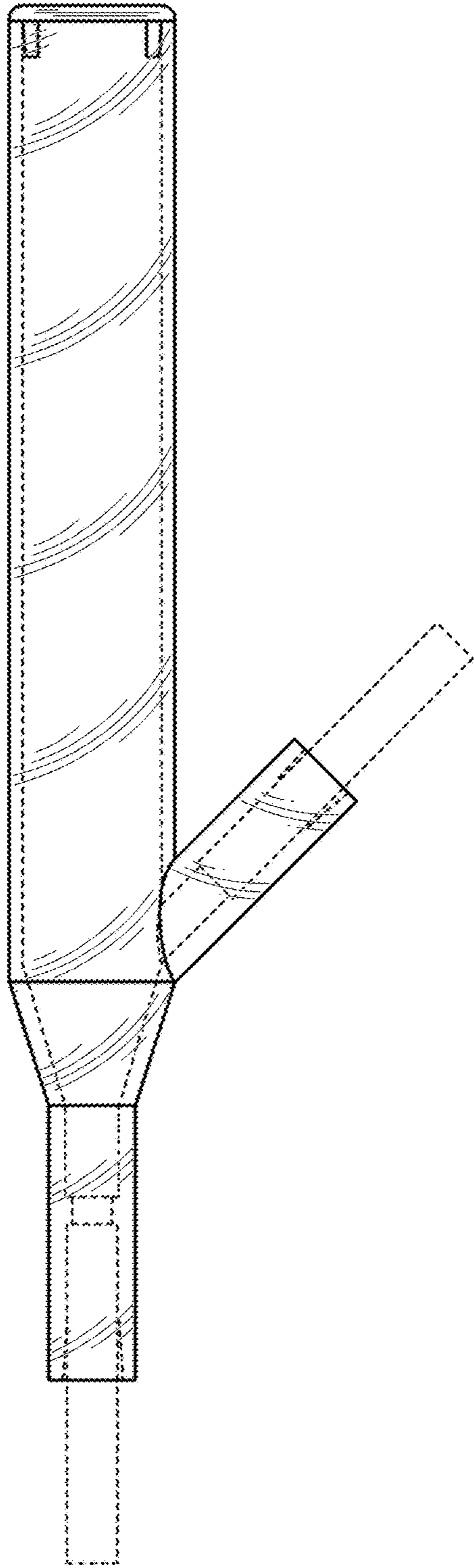


FIG. 3



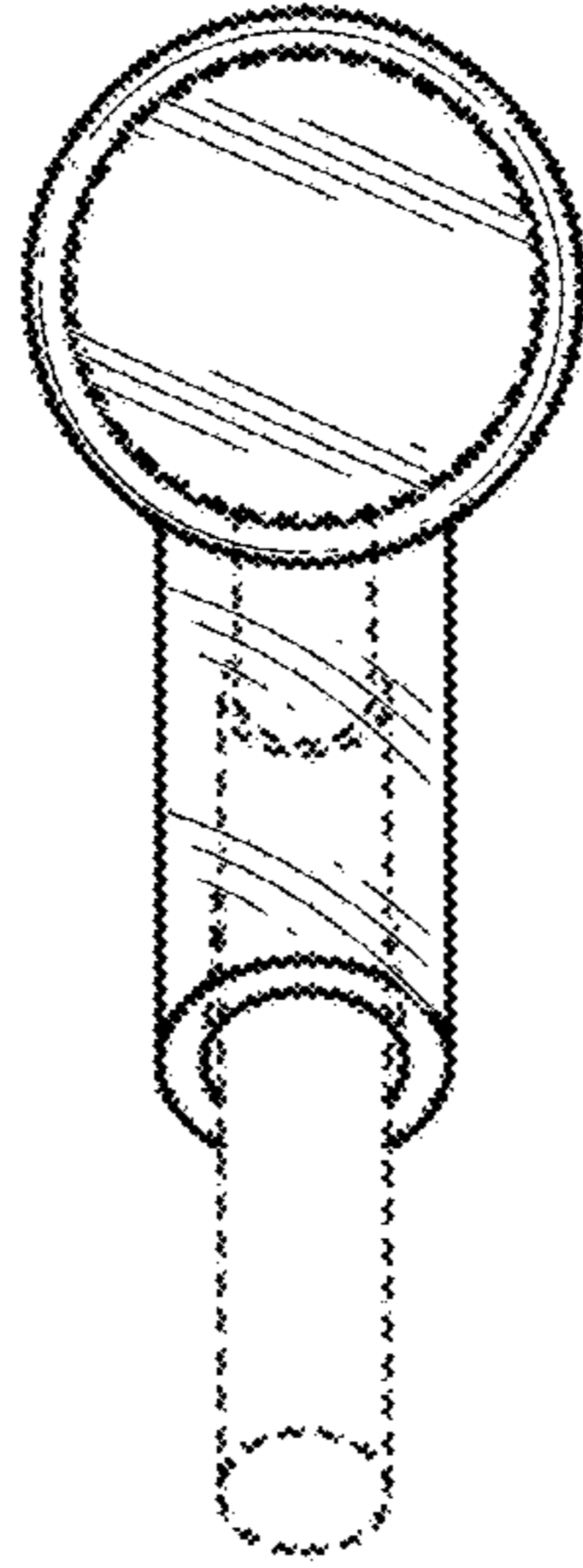


FIG. 6

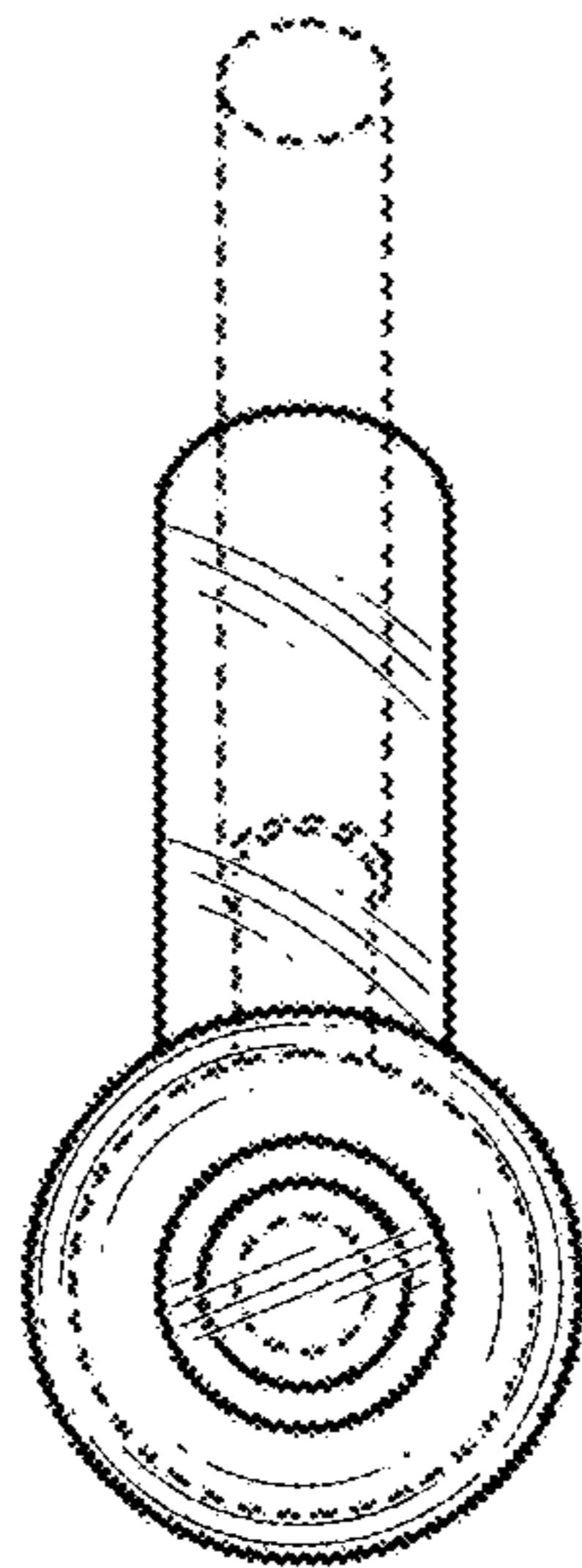


FIG. 7