



US00D851752S

(12) **United States Design Patent** (10) **Patent No.:** **US D851,752 S**
Nazzaro et al. (45) **Date of Patent:** **** Jun. 18, 2019**

- (54) **DRUG DELIVERY DEVICE**
- (71) Applicant: **Insulet Corporation**, Acton, MA (US)
- (72) Inventors: **David Nazzaro**, Groveland, MA (US);
Jeff Barnes, Medford, MA (US);
Maureen McCaffrey, Boston, MA (US);
Melinda Freson, Westford, MA (US);
Alexander Patt Broerman, Somerville, MA (US)
- (73) Assignee: **INSULET CORPORATION**, Acton, MA (US)
- (**) Term: **15 Years**
- (21) Appl. No.: **29/671,670**
- (22) Filed: **Nov. 29, 2018**

Related U.S. Application Data

- (63) Continuation of application No. 29/618,871, filed on Sep. 25, 2017, now Pat. No. Des. 836,770.
- (51) **LOC (11) Cl.** **24-02**
- (52) **U.S. Cl.**
USPC **D24/111; D24/113**
- (58) **Field of Classification Search**
USPC D24/107, 108, 111, 169, 185, 188,
D24/112-113
CPC A61M 5/142; A61M 2005/14208; A61M
5/14212; A61M 5/14228; A61M 5/14232;
A61M 5/145; A61M 5/1456; A61M
5/14566; A61M 5/1458; A61M 5/1452;
A61M 2205/505; A61M 5/14244; A61M
5/1723; A61M 2205/52; A61M 5/14248;
A61M 2005/14268; A61M 15/1428;
A61M 2005/14284; G06F 19/3468

See application file for complete search history.

- (56) **References Cited**
- U.S. PATENT DOCUMENTS
- | | | | | |
|--------------|---------|-----------|-------|---------|
| D685,083 S * | 6/2013 | Schneider | | D24/108 |
| D687,141 S * | 7/2013 | Schneider | | D24/108 |
| D687,536 S * | 8/2013 | Guarraia | | D24/108 |
| D692,552 S * | 10/2013 | Lovell | | D24/108 |
| D745,142 S * | 12/2015 | O'Connor | | D24/111 |
| D774,640 S * | 12/2016 | Tyce | | D24/113 |
| D776,262 S * | 1/2017 | Tyce | | D24/113 |
- (Continued)

Primary Examiner — Lilyana Bekic

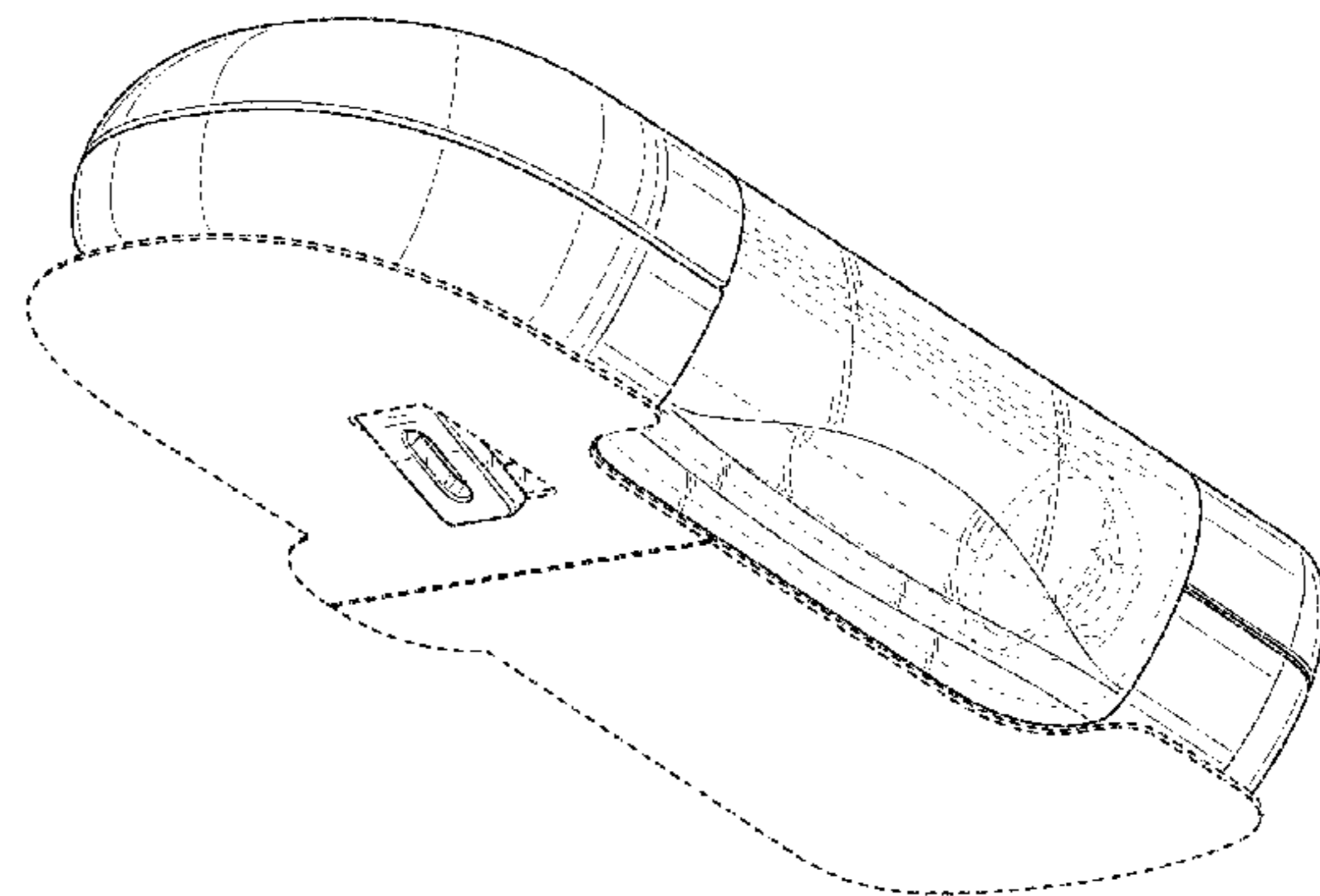
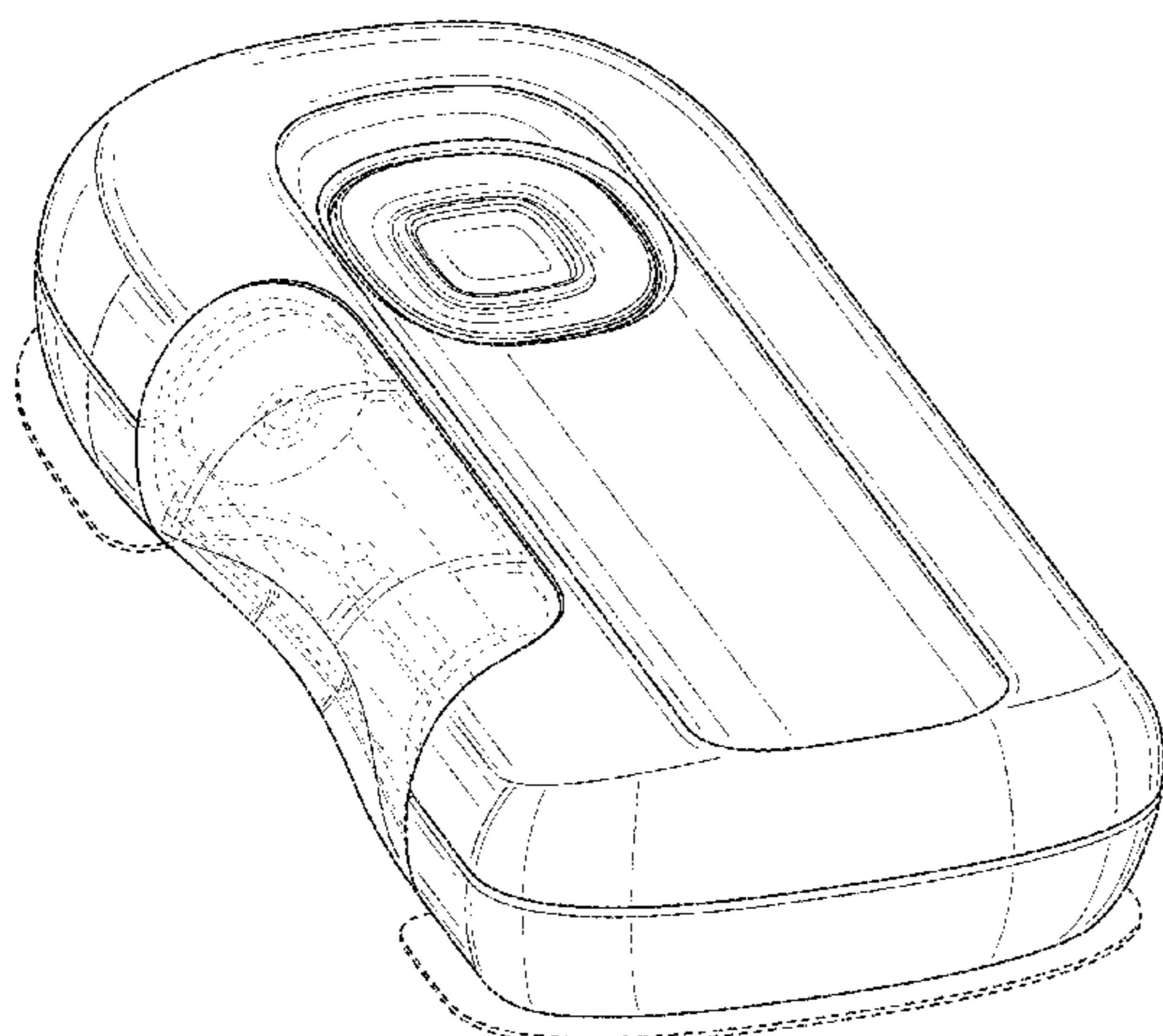
- (57) **CLAIM**
- The ornamental design for a drug delivery device, as shown and described.

DESCRIPTION

FIG. 1 is a top, left perspective view of a drug delivery device showing our new design;
FIG. 2 is a top, right perspective view of the drug delivery device of FIG. 1;
FIG. 3 is bottom, left perspective view of the drug delivery device of FIG. 1;
FIG. 4 is a top view of the drug delivery device of FIG. 1;
FIG. 5 is a bottom view of the drug delivery device of FIG. 1;
FIG. 6 is a rear, end view of the drug delivery device of FIG. 1;
FIG. 7 is a front, end view of the drug delivery device of FIG. 1;
FIG. 8 is a right, side view of the drug delivery device of FIG. 1;
FIG. 9 is a left, side view of the drug delivery device of FIG. 1; and,
FIG. 10 is bottom, left perspective view of the drug delivery device of FIG. 1, showing an interlock portion in a retracted position.

The broken lines in the drawings depict portions of the drug delivery device that form no part of the claimed design.

1 Claim, 8 Drawing Sheets



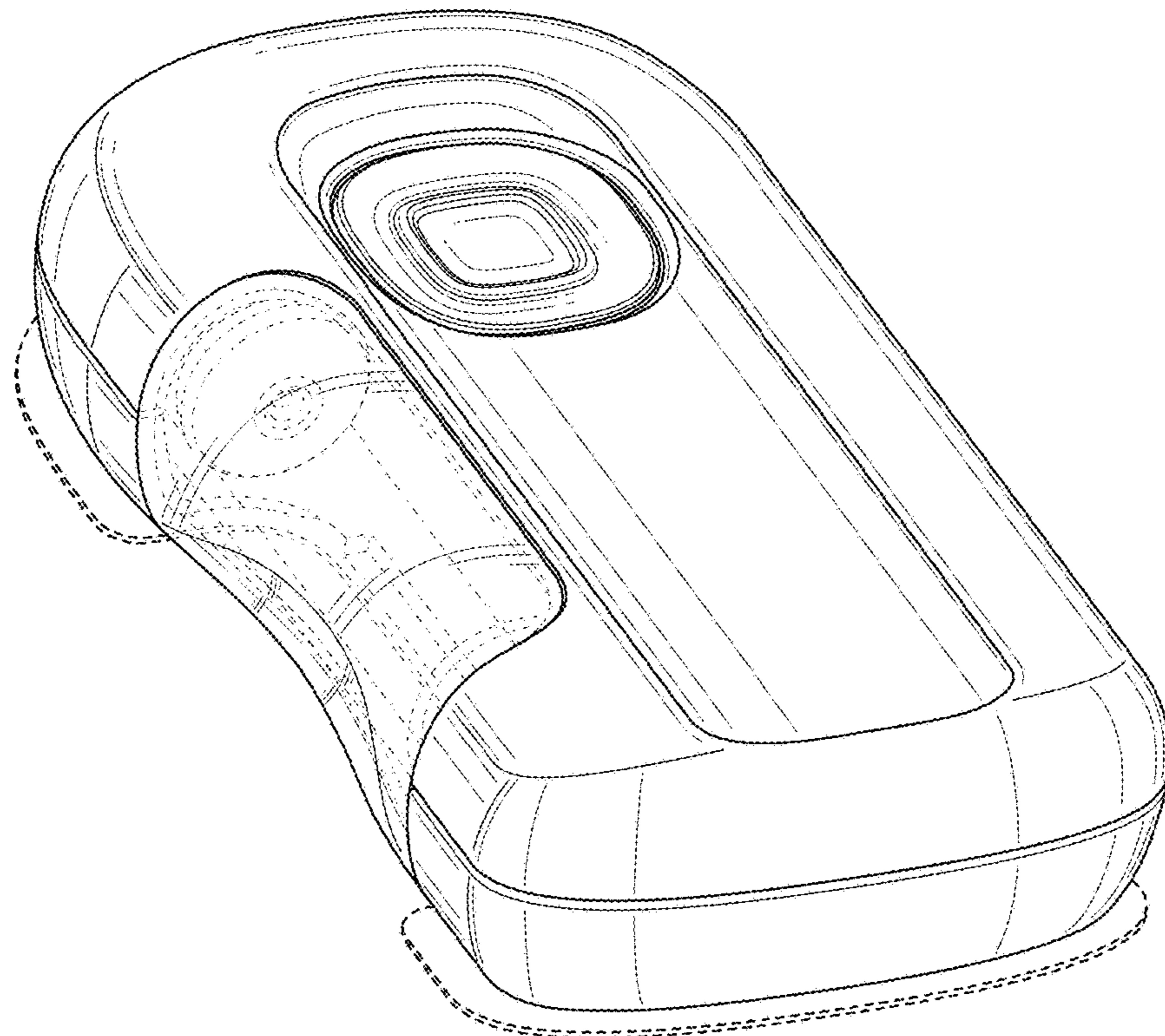


FIG. 1

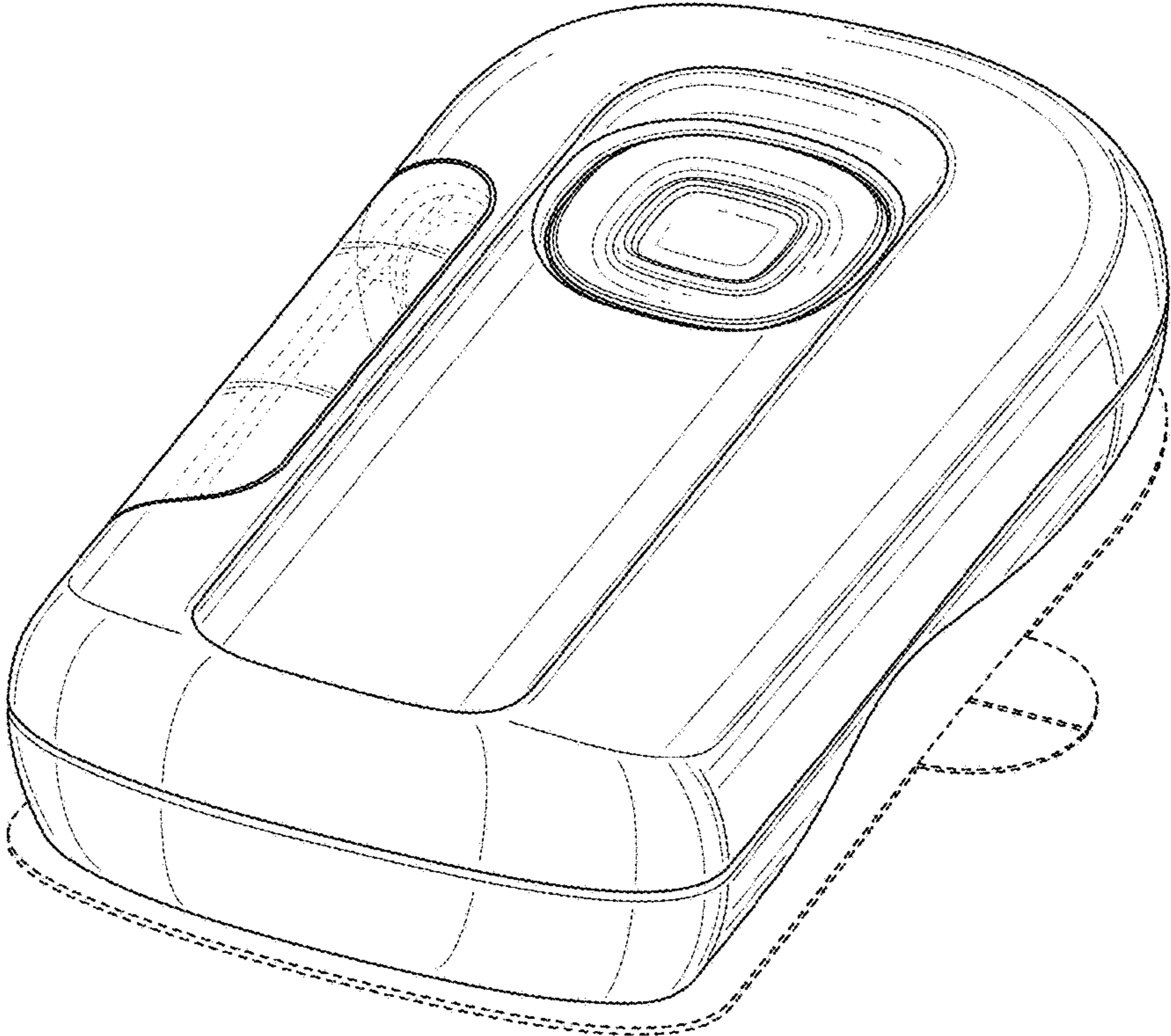


FIG. 2

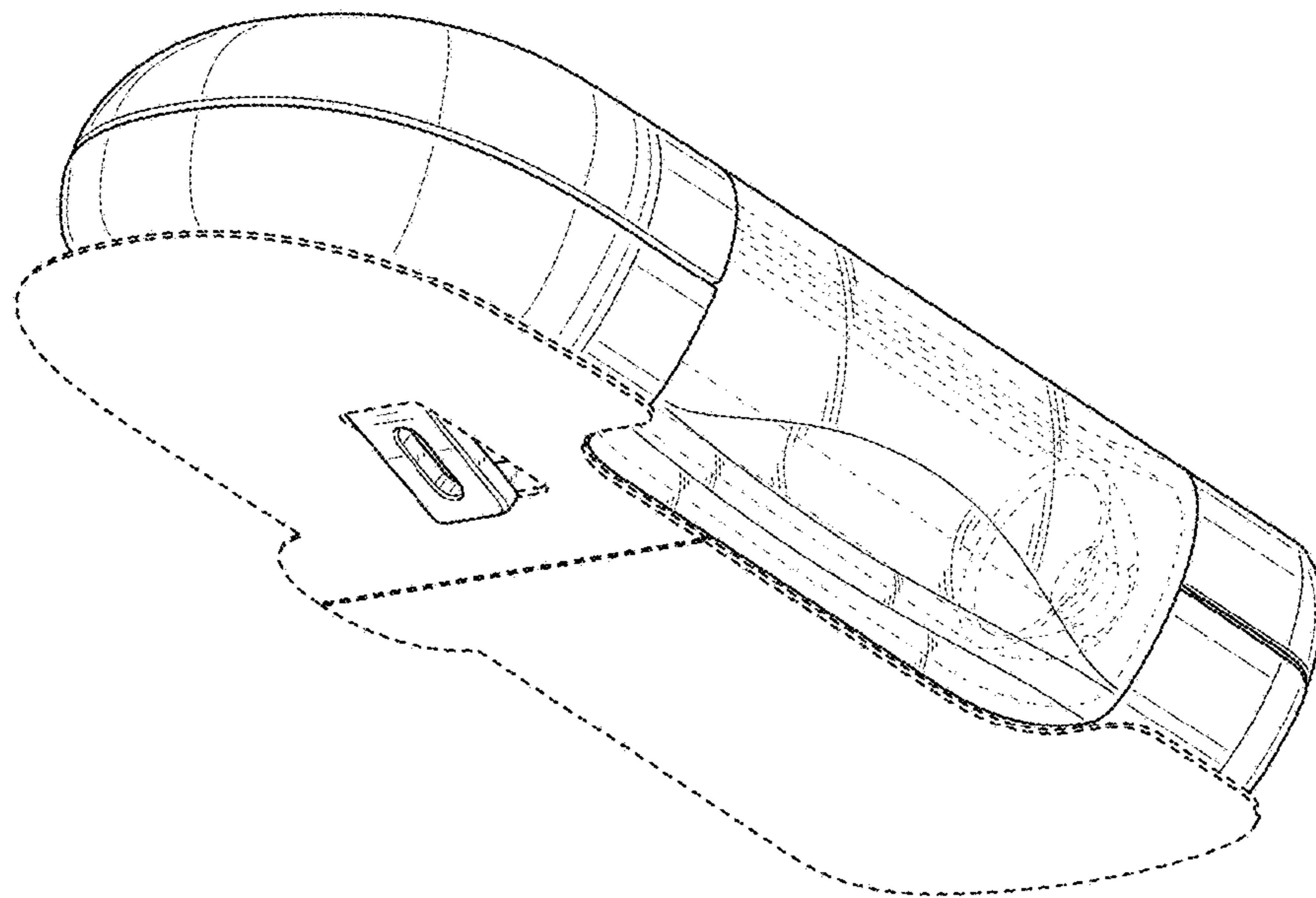


FIG. 3

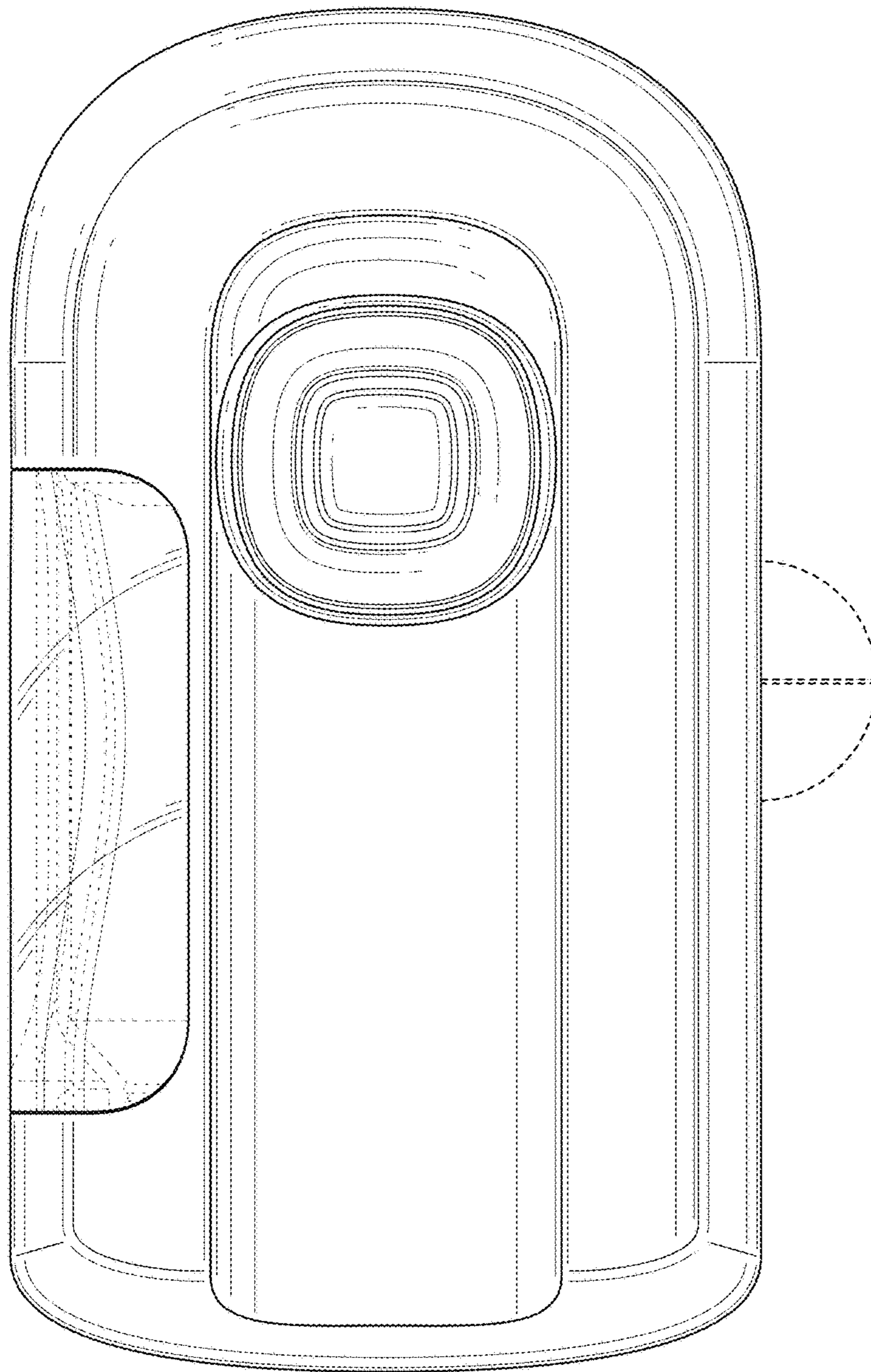


FIG. 4

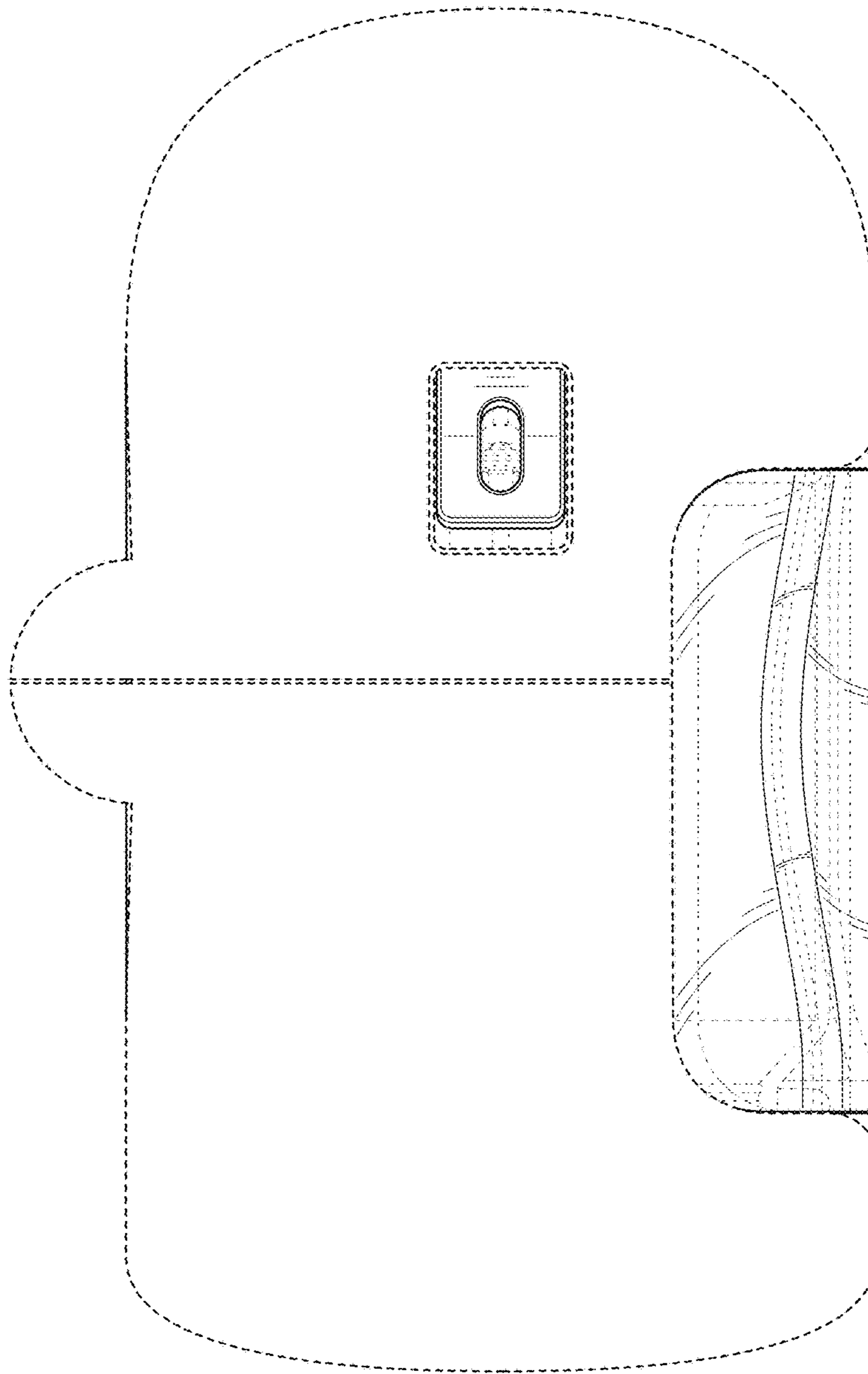


FIG. 5

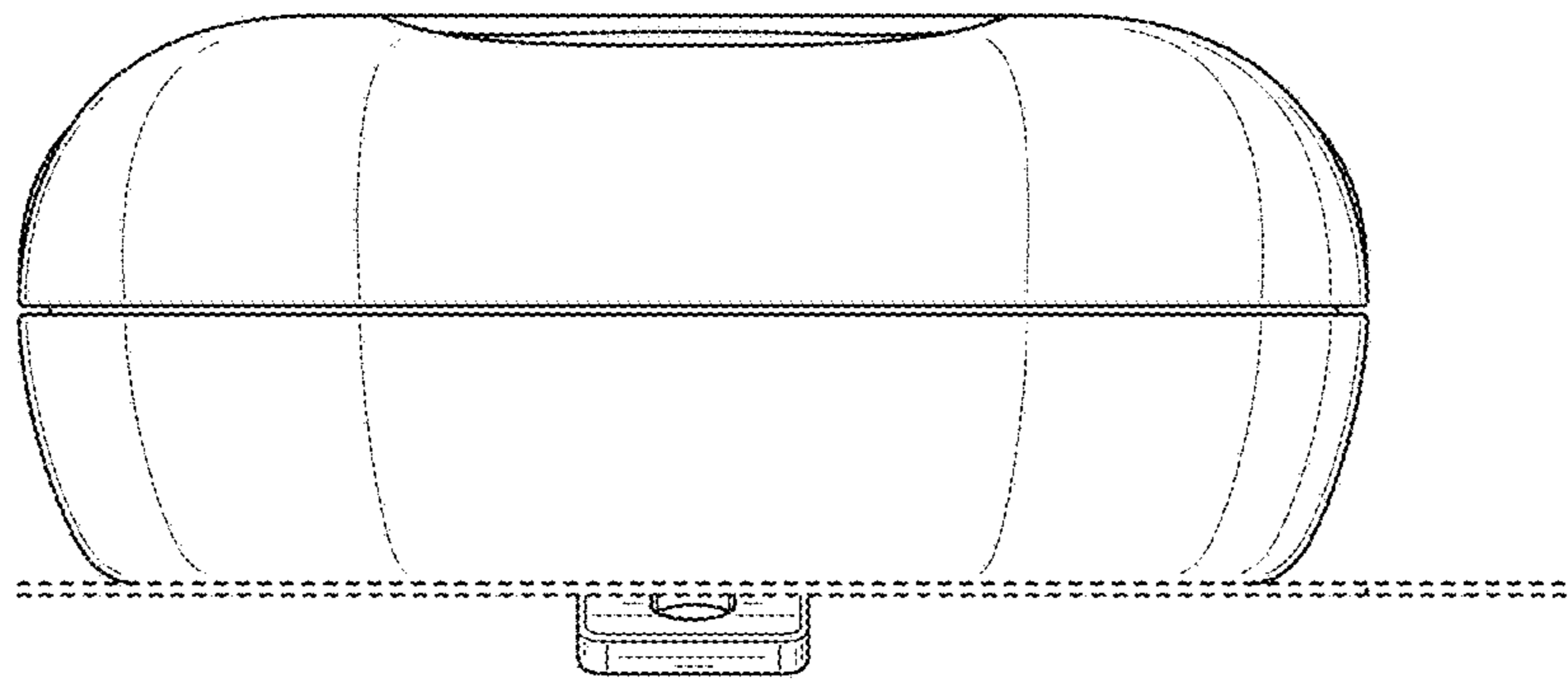


FIG. 6

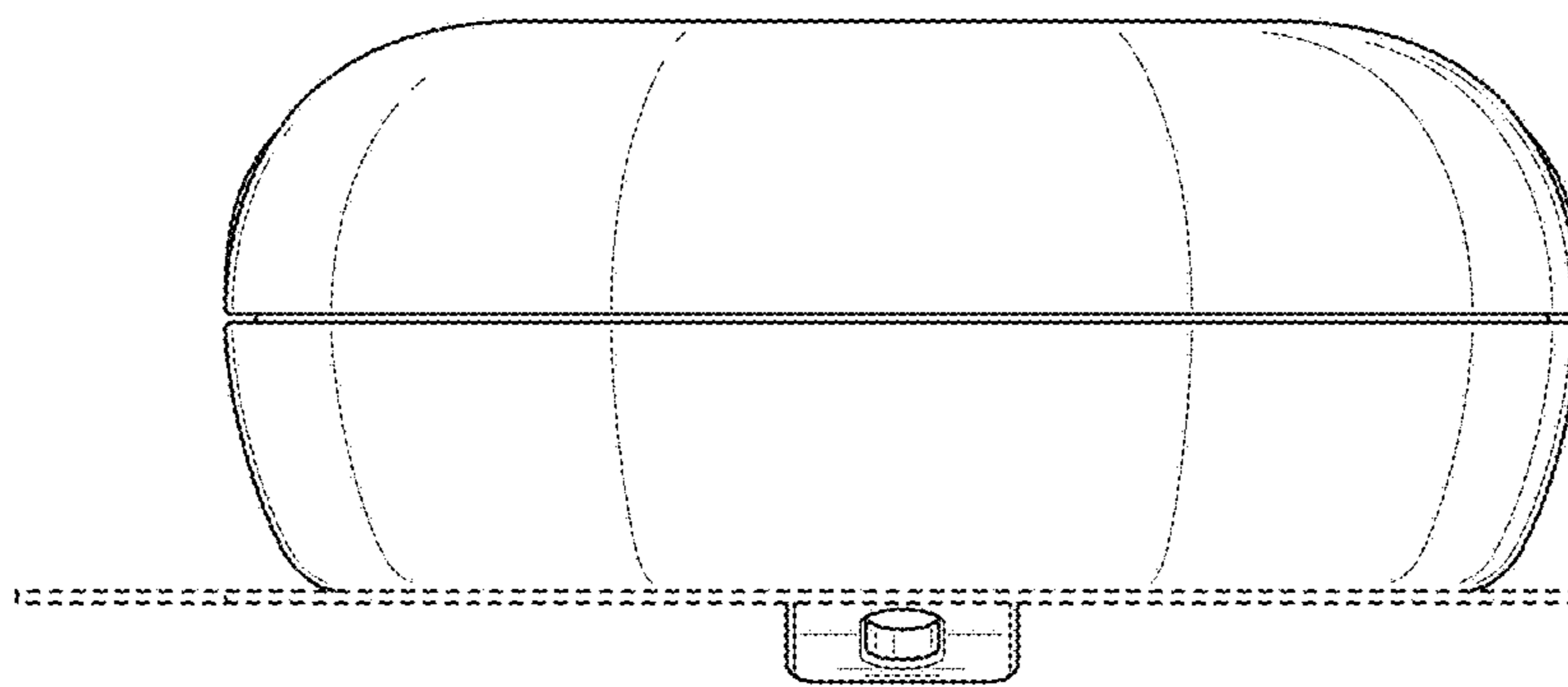


FIG. 7

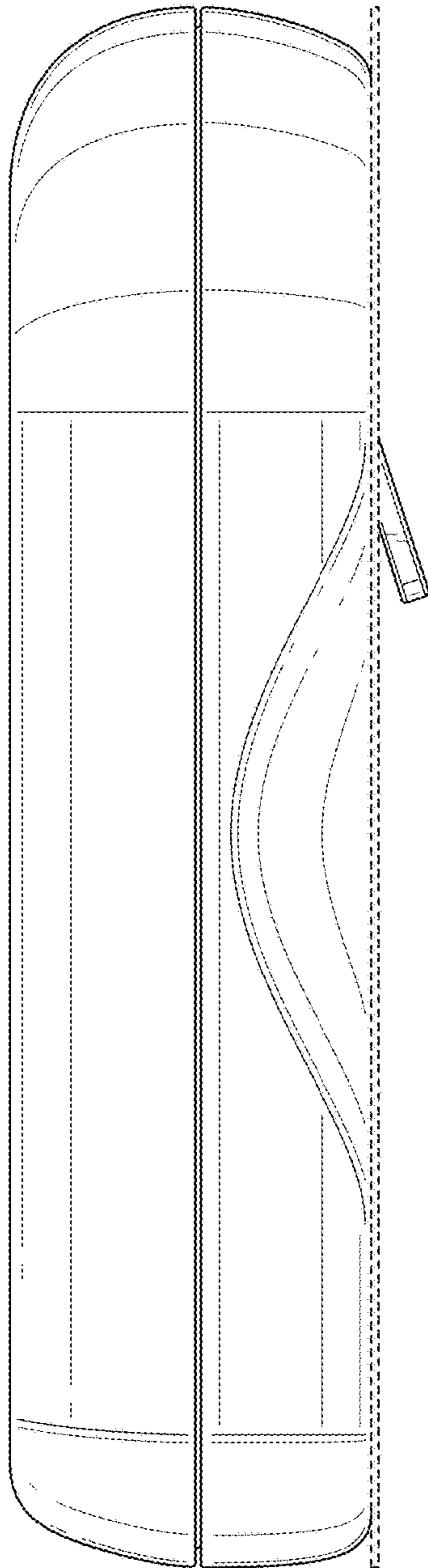


FIG. 8

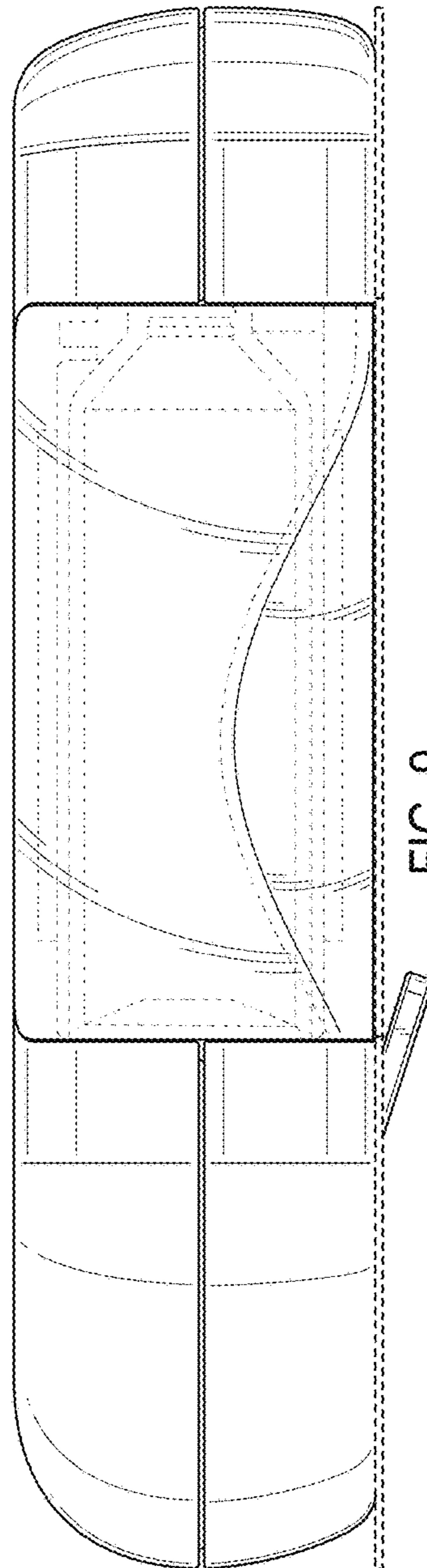


FIG. 9

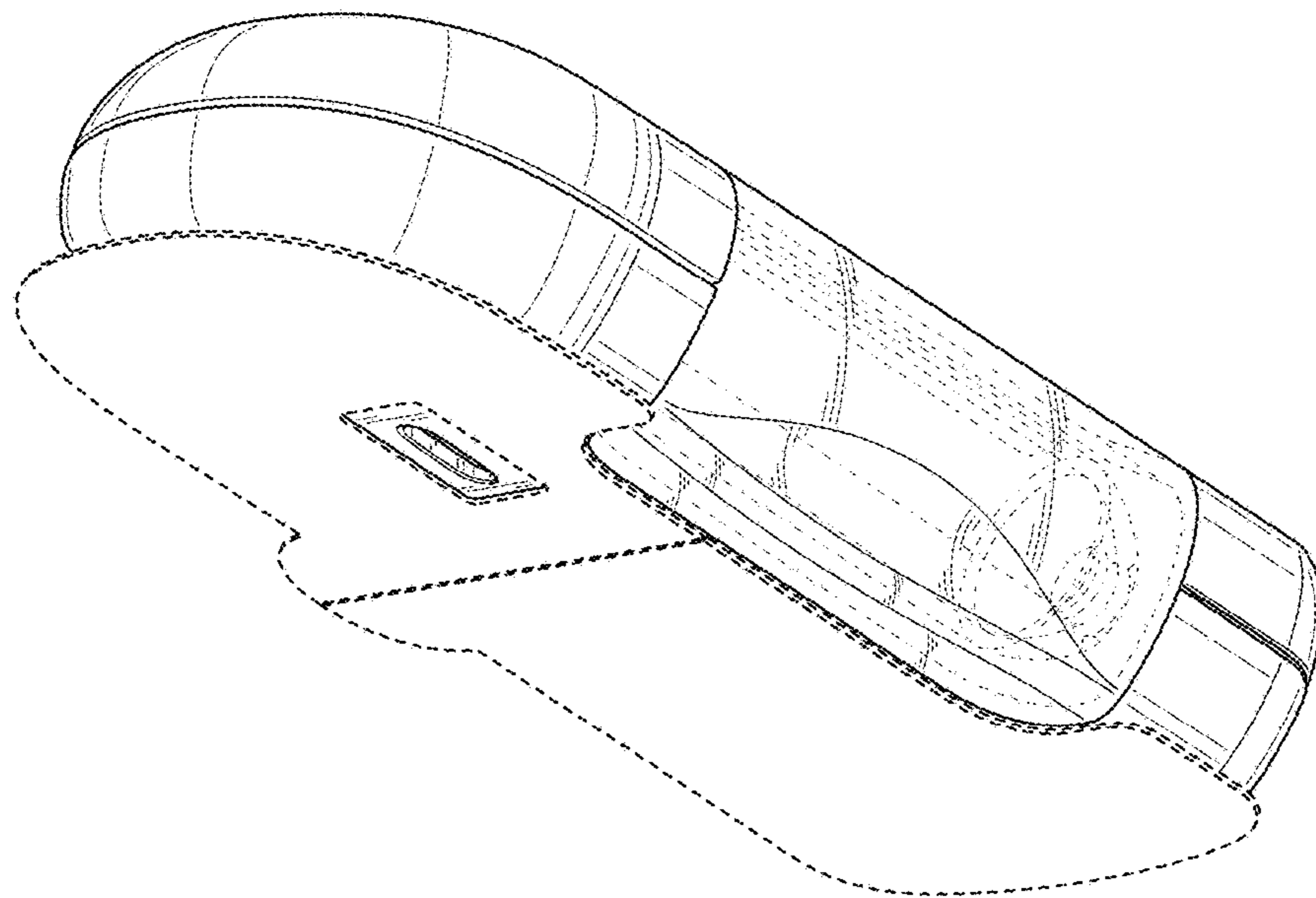


FIG. 10