



US00D851749S

(12) **United States Design Patent**
Siew et al.

(10) **Patent No.:** **US D851,749 S**
(45) **Date of Patent:** **** Jun. 18, 2019**

- (54) **SEAL FOR A DIRECT NASAL MASK ASSEMBLY**
- (71) Applicant: **Fisher & Paykel Healthcare Limited**, Auckland (NZ)
- (72) Inventors: **Silas Sao Jin Siew**, Auckland (NZ); **Thomas Mark Richardson**, Auckland (NZ); **Jonathan Mark Downey**, Auckland (NZ); **Janine Elizabeth Collins**, Auckland (NZ); **Chris Onin Limpin Hipolito**, Auckland (NZ); **Steve Thomas**, Auckland (NZ); **Priyanka Ferdinand Pereira**, Auckland (NZ); **Matthew Aaron Bradley**, Auckland (NZ)
- (73) Assignee: **Fisher & Paykel Healthcare Limited**, Auckland (NZ)
- (**) Term: **15 Years**
- (21) Appl. No.: **29/612,527**
- (22) Filed: **Aug. 1, 2017**
- (51) **LOC (11) Cl.** **29-02**
- (52) **U.S. Cl.**
USPC **D24/110.1; D24/110.4**
- (58) **Field of Classification Search**
USPC **D24/110.1–110.5, 127**
CPC **A61M 16/0622; A61M 16/0616; A61M 16/0816; A61M 16/08; A61M 16/0633; A61M 16/06; A61M 16/0666; A61M 2210/0618; A61M 16/0683**
See application file for complete search history.
- (56) **References Cited**

U.S. PATENT DOCUMENTS

D691,257 S * 10/2013 Siew D24/110.1
D692,554 S * 10/2013 Siew D24/110.1

D729,381 S *	5/2015	Himes	D24/110.1
D740,409 S *	10/2015	Siew	D24/110
D746,436 S *	12/2015	Guney	D24/110.1
D747,460 S *	1/2016	Hogea	D24/110.1
D770,036 S *	10/2016	Walls	D24/110.4
D787,661 S *	5/2017	Edwards	D24/110.4
D797,921 S *	9/2017	Huang	D24/110.4
10,039,894 B2 *	8/2018	Walls	A61M 16/0683
10,080,856 B2 *	9/2018	McLaren	A61M 16/06
2016/0051784 A1 *	2/2016	Eury	A61M 16/0666
				128/207.18
2016/0151596 A1 *	6/2016	Slight	A61M 16/0622
				128/207.18
2016/0166792 A1 *	6/2016	Allan	A61M 16/06
				128/205.25

(Continued)

Primary Examiner — Lilyana Bekic

(74) *Attorney, Agent, or Firm* — Knobbe, Martens, Olson & Bear, LLP

(57) **CLAIM**

The ornamental design for a seal for a direct nasal mask assembly, as shown and described.

DESCRIPTION

FIG. 1 is a perspective view showing a front, top and right side of a seal for a direct nasal mask assembly.

FIG. 2 is a perspective view showing a rear, top and left side thereof.

FIG. 3 is a rear view thereof.

FIG. 4 is a front view thereof.

FIG. 5 is a left side view thereof.

FIG. 6 is a right side view thereof.

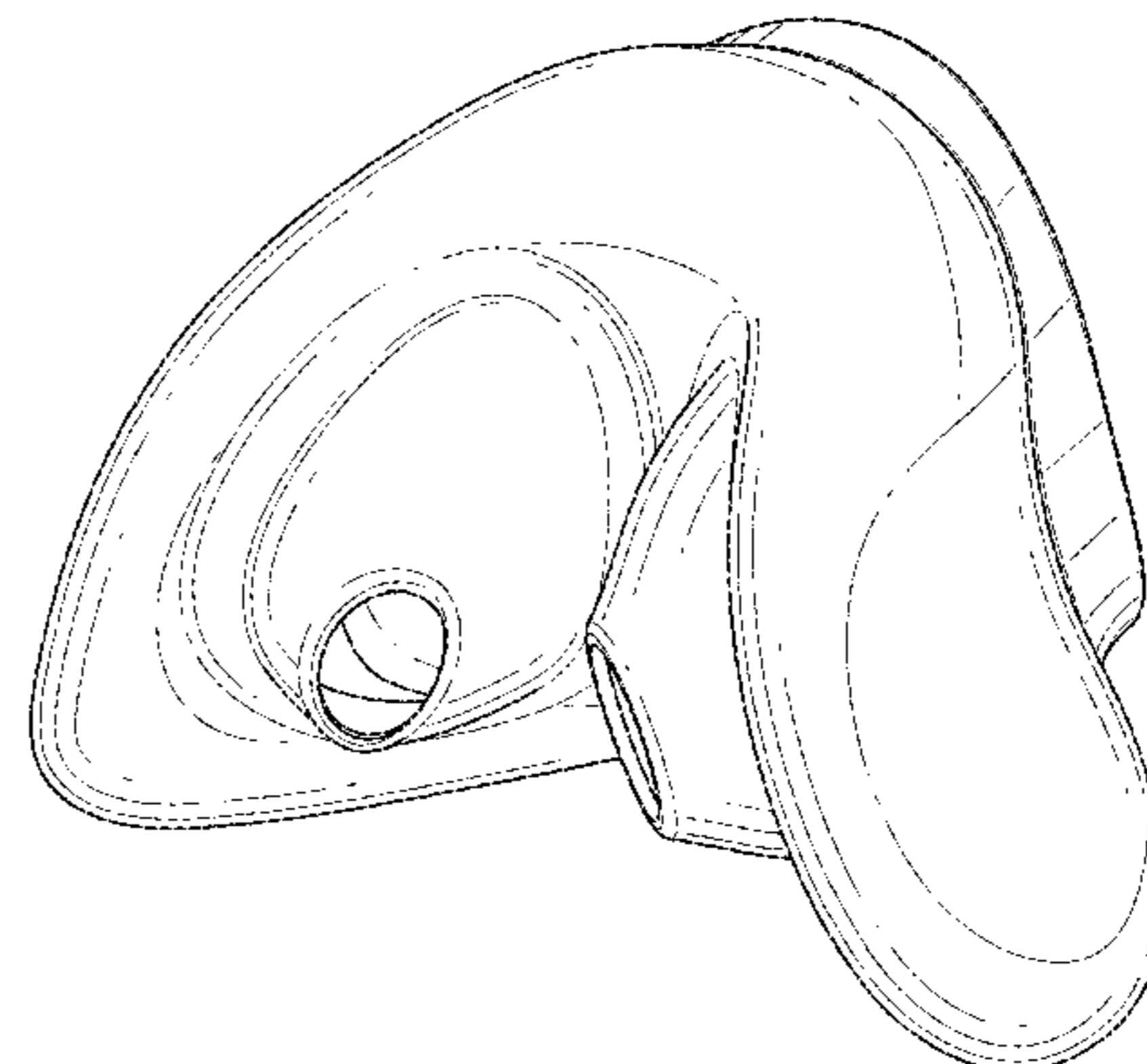
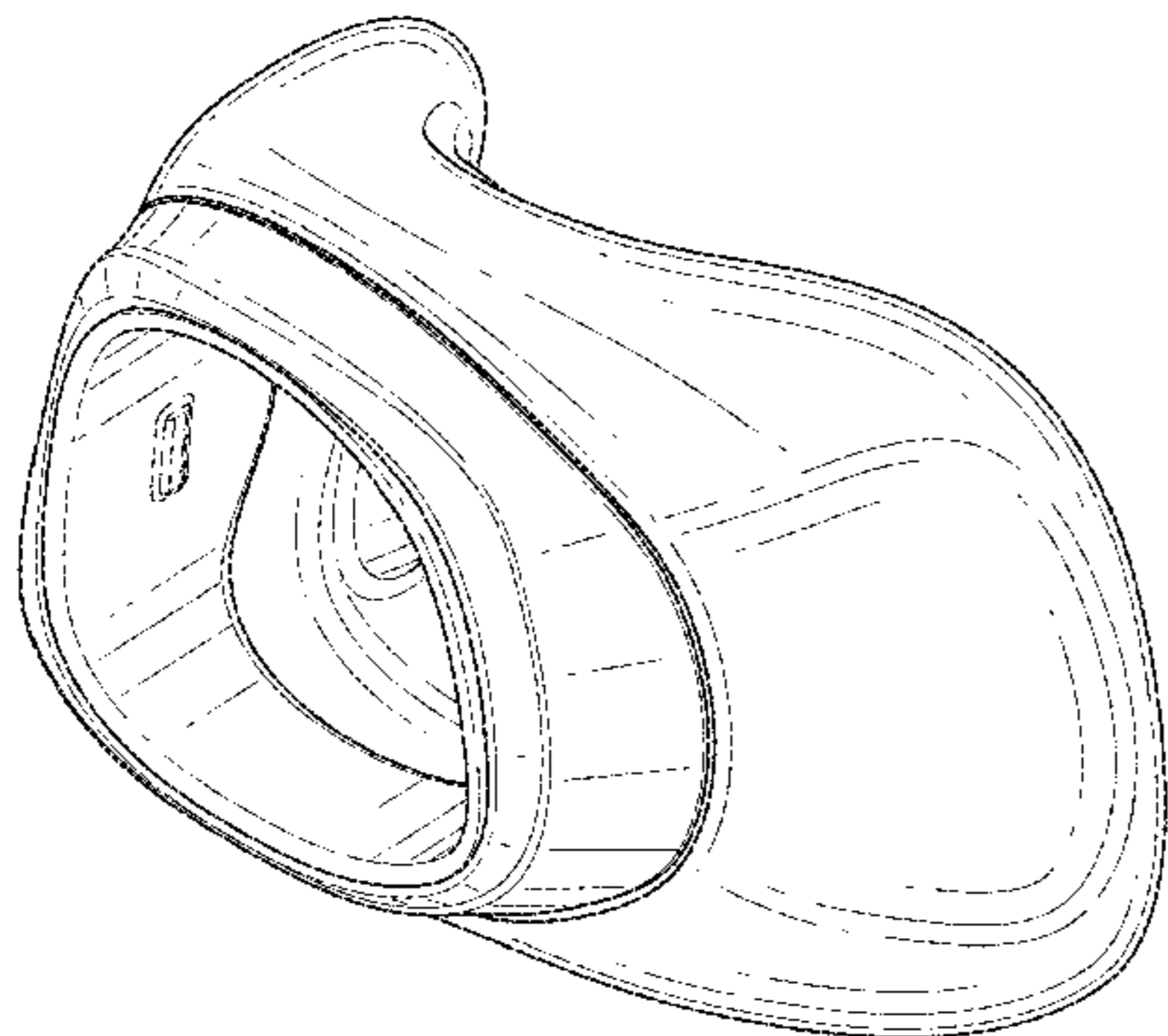
FIG. 7 is a top view thereof.

FIG. 8 is a bottom view thereof; and,

FIG. 9 is a sectional view thereof taken along line 9-9 of FIG. 3.

The dashed lines in the drawings show portions of the seal for a direct nasal mask assembly that form no part of the claimed design.

1 Claim, 5 Drawing Sheets



(56)

References Cited

U.S. PATENT DOCUMENTS

2016/0166793 A1* 6/2016 McLaren A61M 16/06
128/207.11
2017/0119988 A1* 5/2017 Allan A61M 16/0666
2018/0078725 A1* 3/2018 Richardson A61M 16/0666
2018/0304036 A1* 10/2018 Huang A61M 16/0666
2018/0318541 A1* 11/2018 Walls A61M 16/0683

* cited by examiner

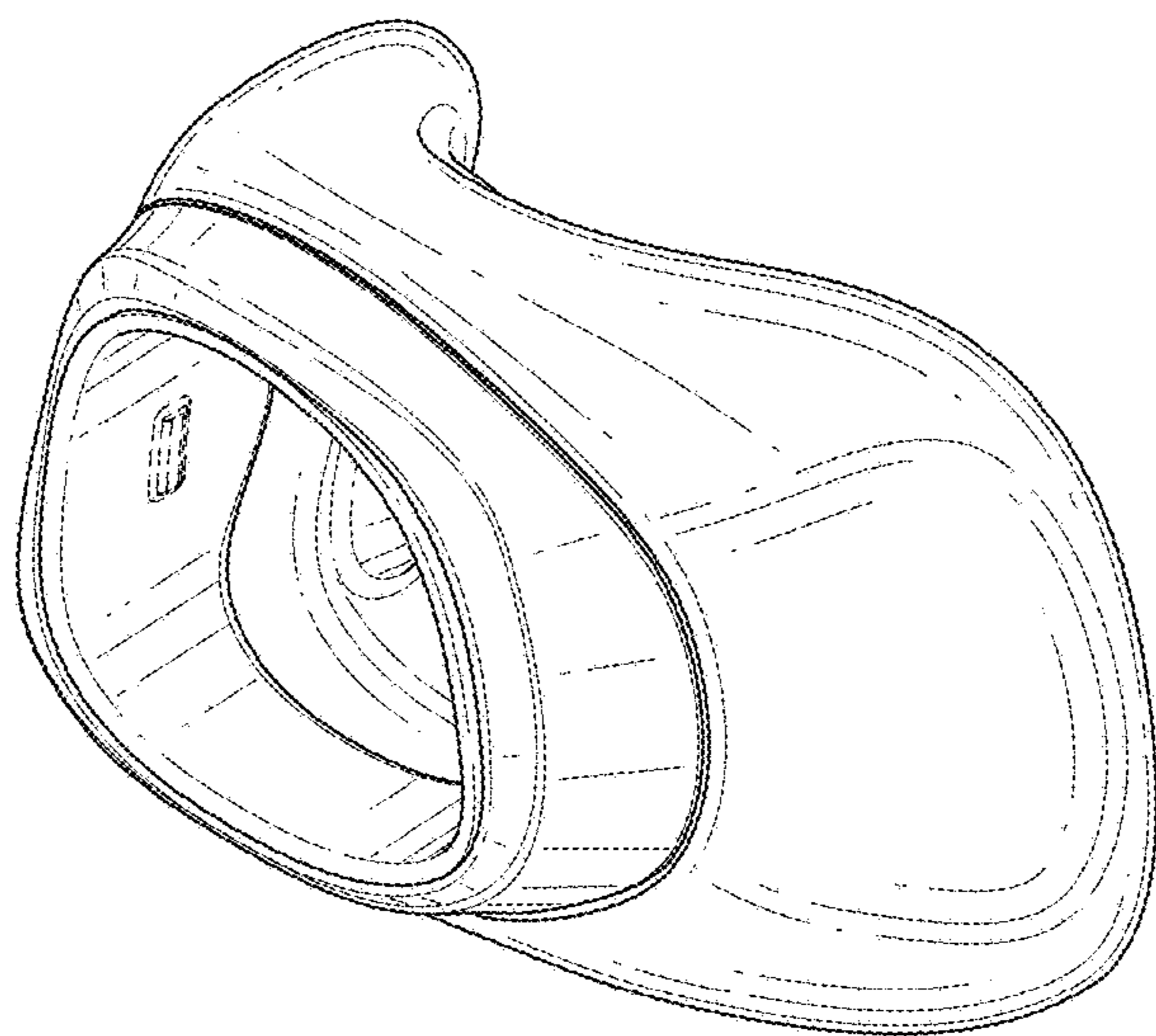


FIG. 1

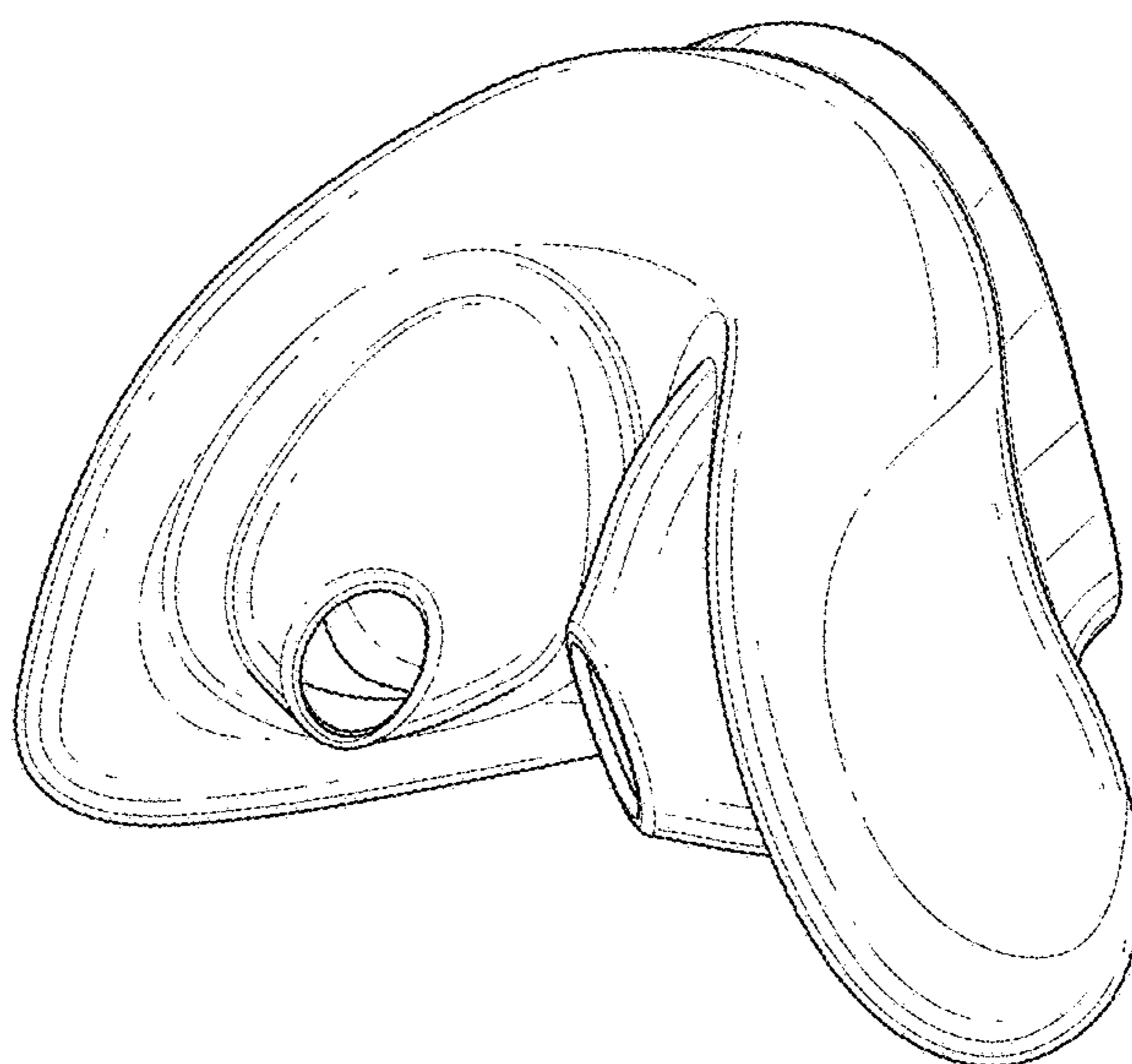


FIG. 2

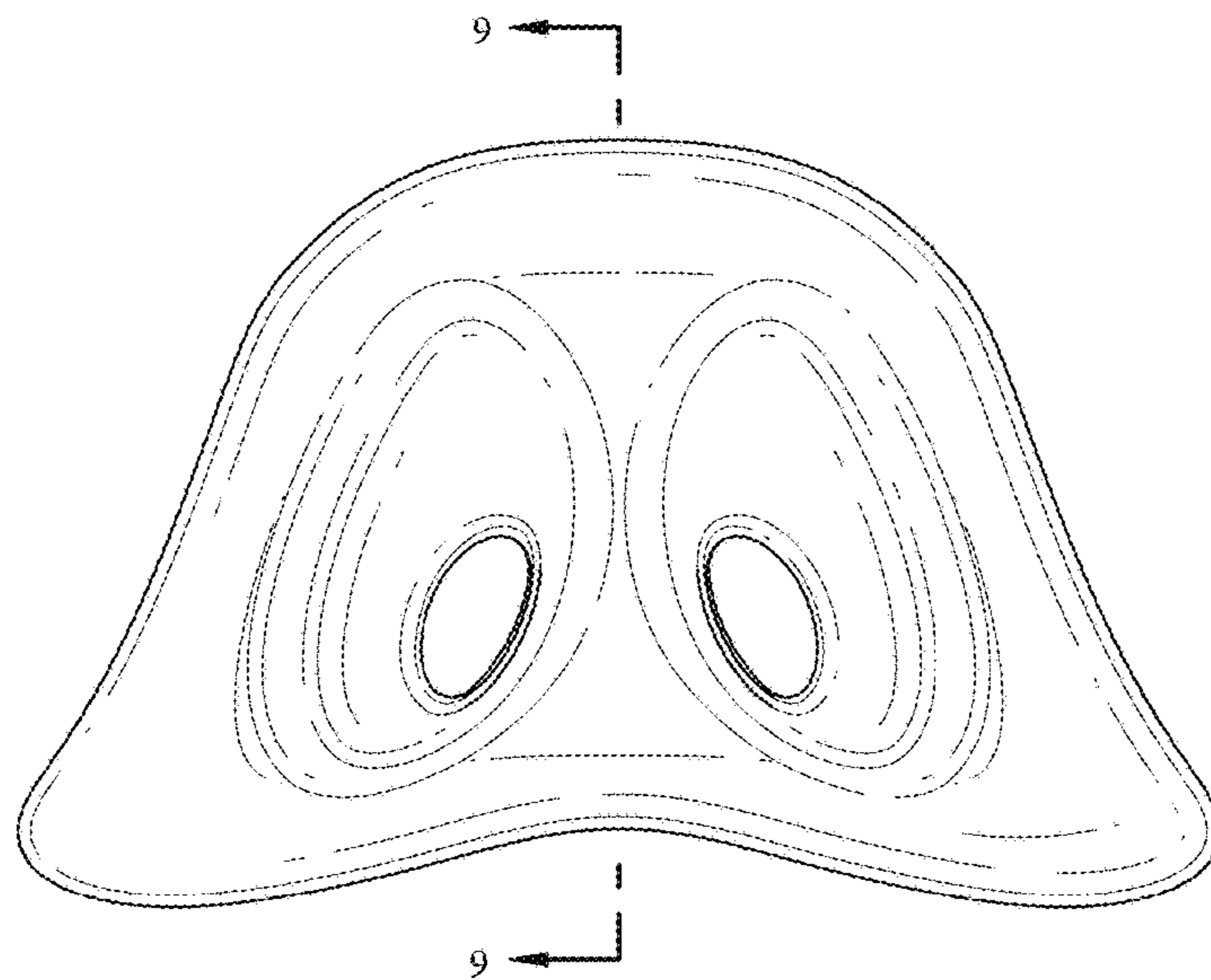


FIG. 3

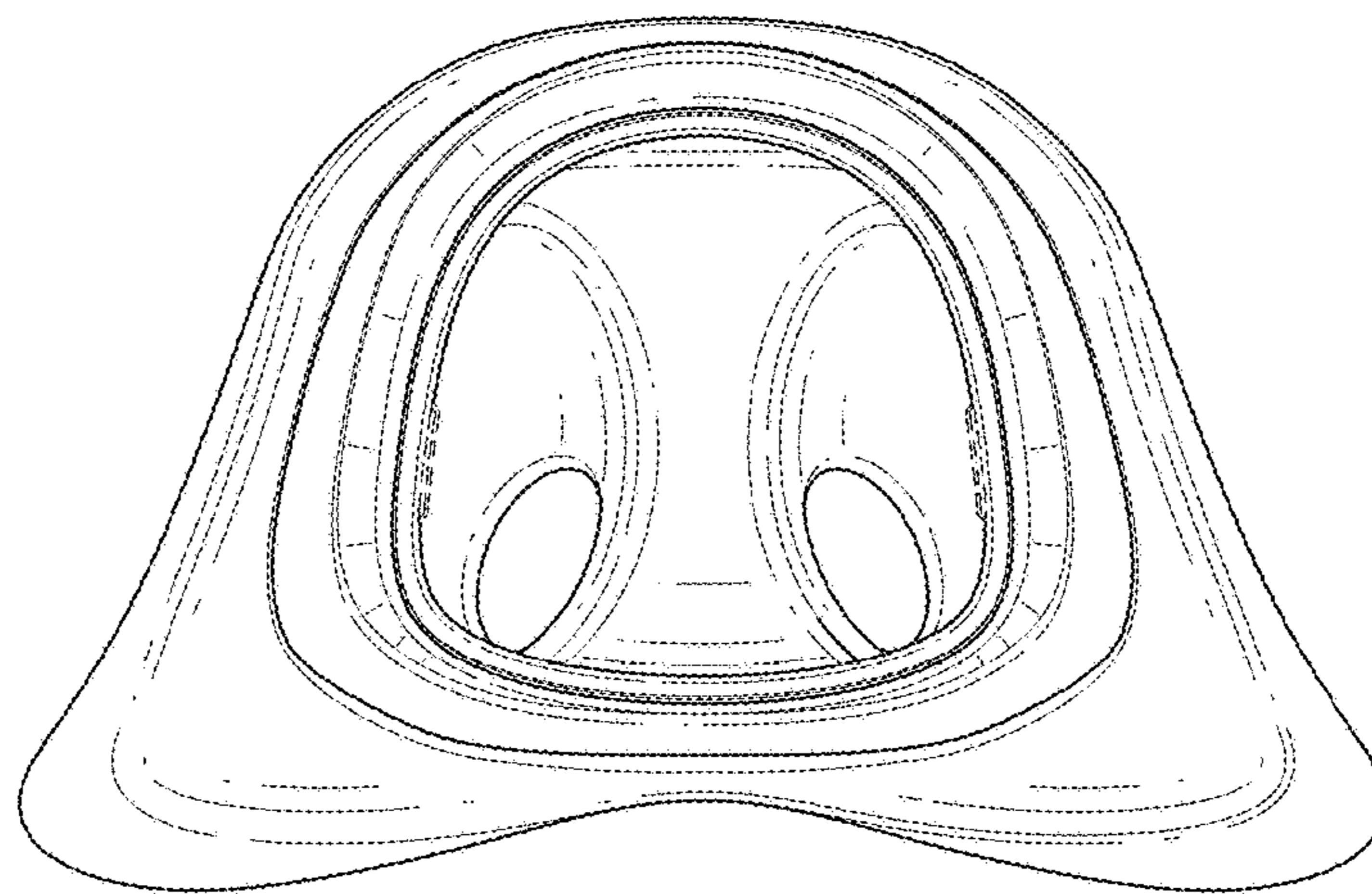


FIG. 4

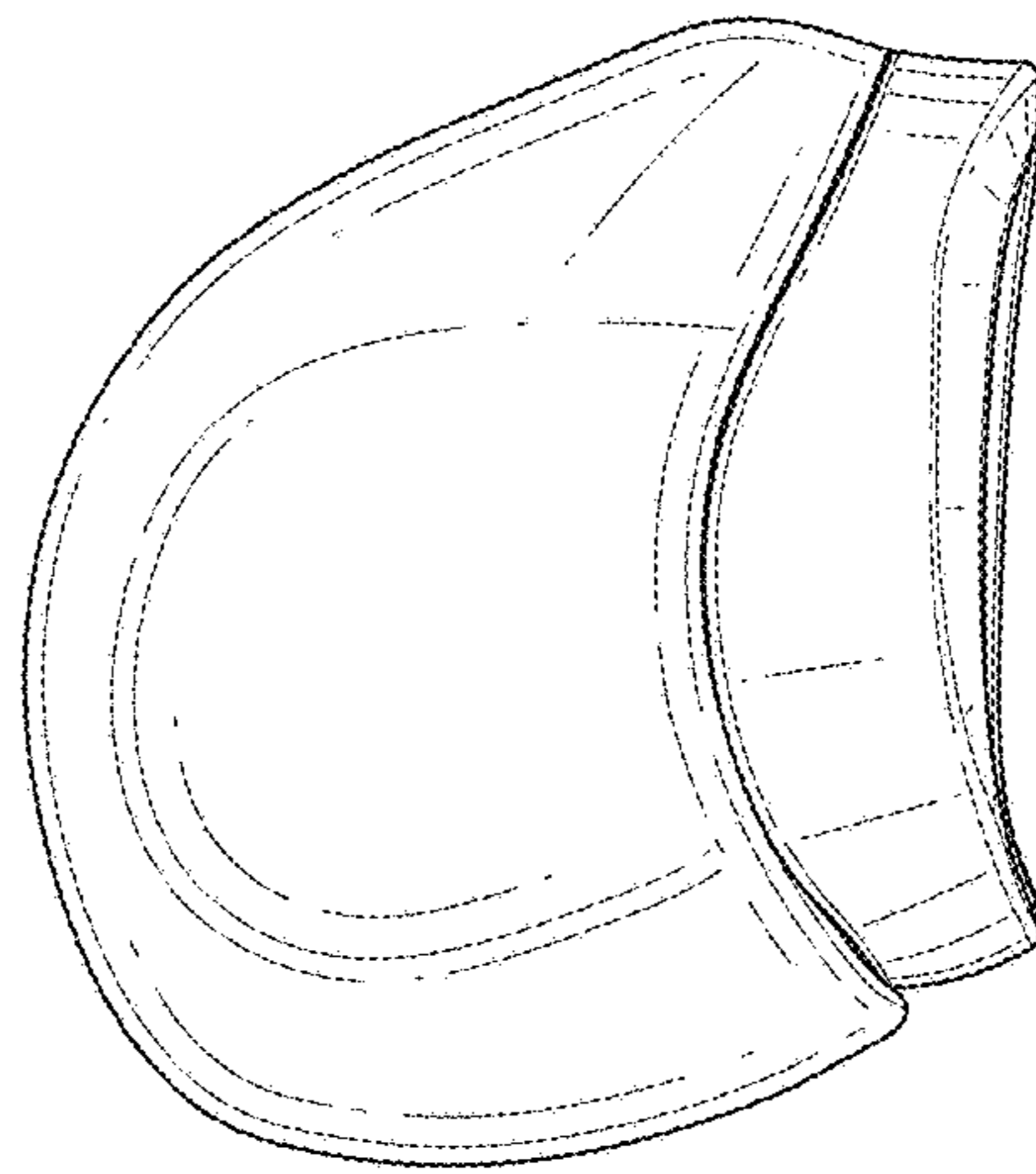


FIG. 5

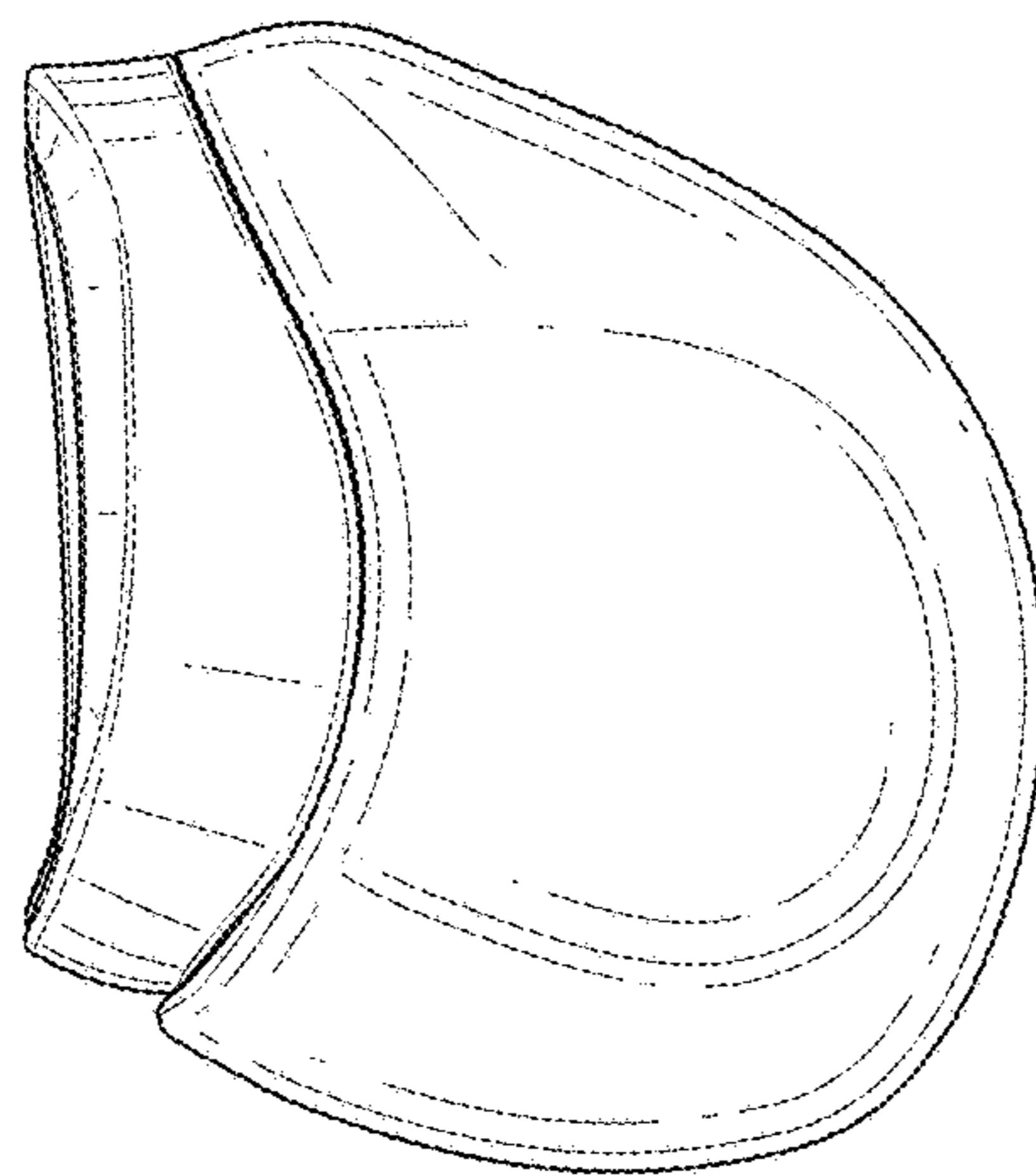


FIG. 6

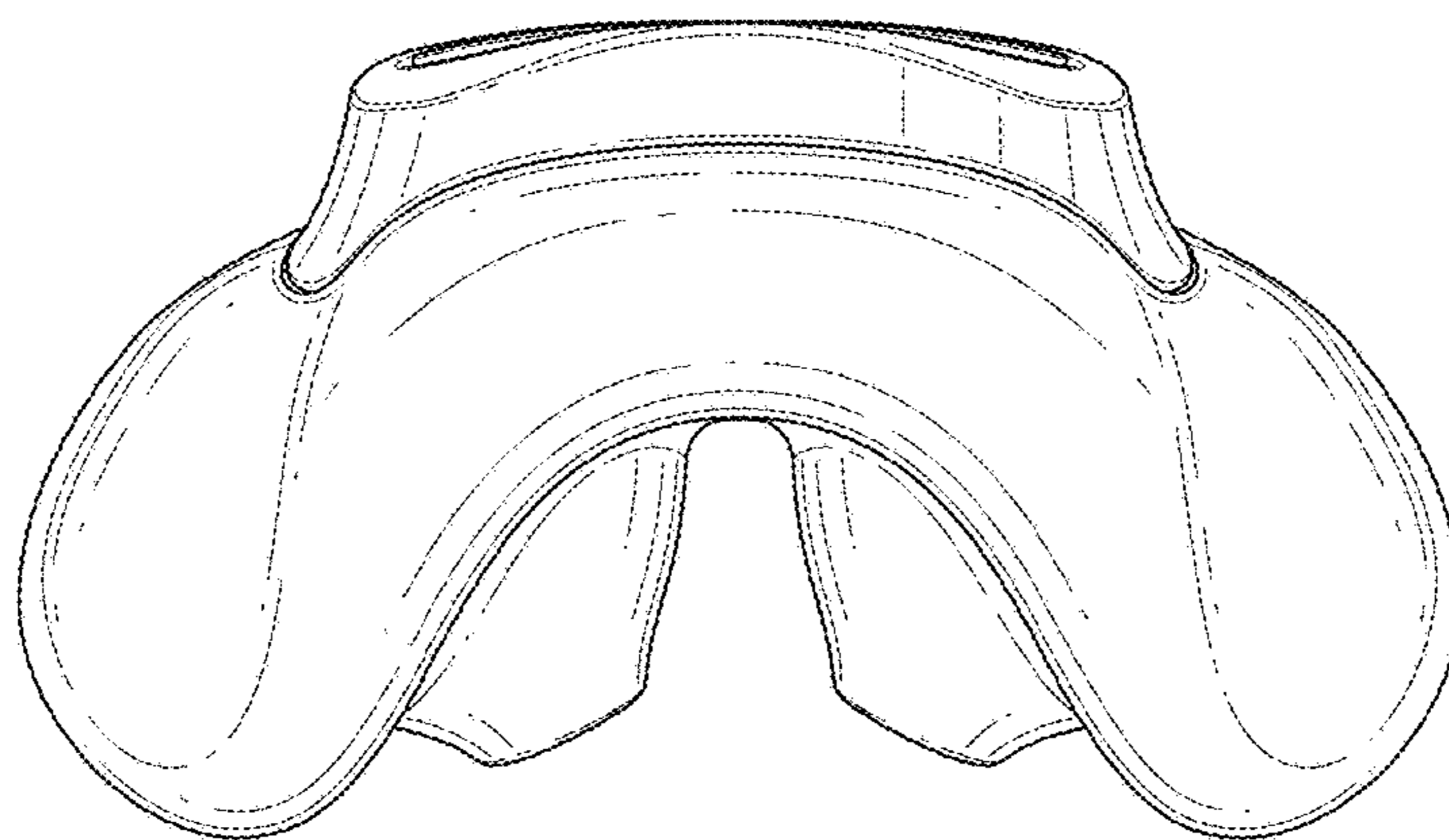


FIG. 7

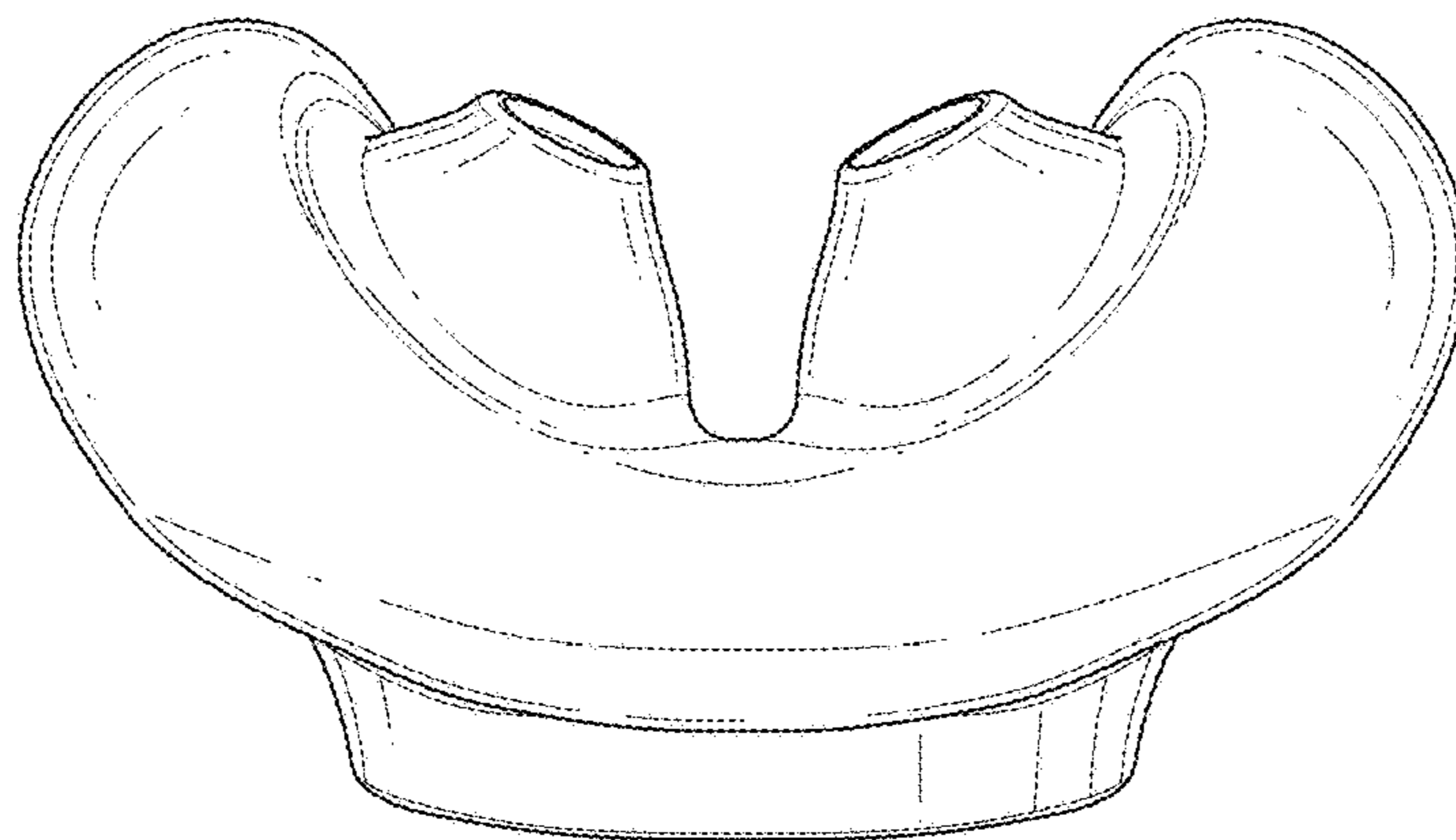


FIG. 8

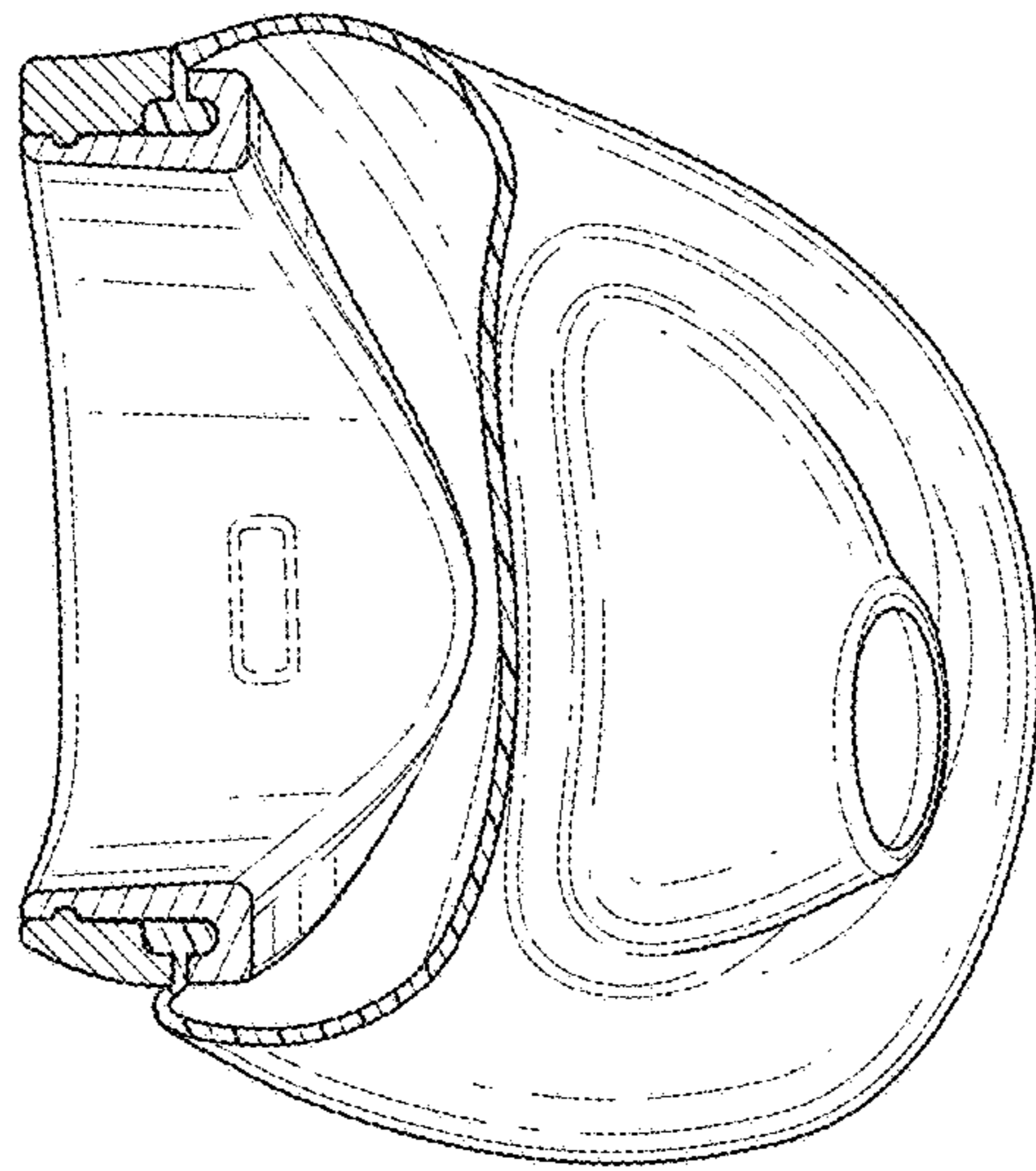


FIG. 9