



US00D851748S

(12) **United States Design Patent** (10) **Patent No.:** **US D851,748 S**
Kinsey et al. (45) **Date of Patent:** **** Jun. 18, 2019**

(54) **INHALER**

(71) Applicant: **MannKind Corporation**, Westlake Village, CA (US)

(72) Inventors: **P. Spencer Kinsey**, Sandy Hook, CT (US); **Chad C. Smutney**, Watertown, CT (US)

(73) Assignee: **MannKind Corporation**, Westlake Village, CA (US)

(**) Term: **15 Years**

(21) Appl. No.: **29/625,323**

(22) Filed: **Nov. 8, 2017**

(51) **LOC (11) Cl.** **29-02**

(52) **U.S. Cl.**
USPC **D24/110**

(58) **Field of Classification Search**
USPC D24/107, 108, 110, 110.1–110.5, 127, D24/164; D29/108; 128/200.14, 200.23
CPC A61M 15/0085; A61M 15/0005; A61M 11/005; A61M 11/00; A61M 11/02; A61M 11/04; A61M 5/087; A61M 5/0871; A61M 5/091; A61M 5/097; A61M 15/00; A61M 15/0065; A61M 15/0091; A61M 15/0021; A61M 15/0026; A61M 15/008; A61M 15/007; A63B 23/18

See application file for complete search history.

(56) **References Cited**

U.S. PATENT DOCUMENTS

D636,868 S *	4/2011	Kinsey	D24/110
D674,893 S *	1/2013	Kinsey	D24/110
D742,503 S *	11/2015	Mullinger	D24/110
D814,019 S *	3/2018	Crosby	D24/110

D824,015 S *	7/2018	Adamo	D24/110
D824,016 S *	7/2018	Kinsey	D24/110
D824,510 S *	7/2018	Kinsey	D24/110
2009/0308390 A1 *	12/2009	Smutney	A61M 15/0028 128/203.15
2010/0197565 A1 *	8/2010	Smutney	A61M 15/0028 514/1.1
2013/0104887 A1 *	5/2013	Smutney	A61M 15/0028 128/203.15
2014/0014106 A1 *	1/2014	Smutney	A61M 15/00 128/203.15
2015/0283338 A1 *	10/2015	Colosio	A61M 15/0028 128/203.15
2017/0216538 A1 *	8/2017	Kinsey	A61M 15/0028
2018/0001039 A1 *	1/2018	Smutney	A61M 15/00

* cited by examiner

Primary Examiner — Lilyana Bekic

Assistant Examiner — Aula Soroush

(74) *Attorney, Agent, or Firm* — K&L Gates LLP; Louis C. Cullman; Georgia N. Kefallinos

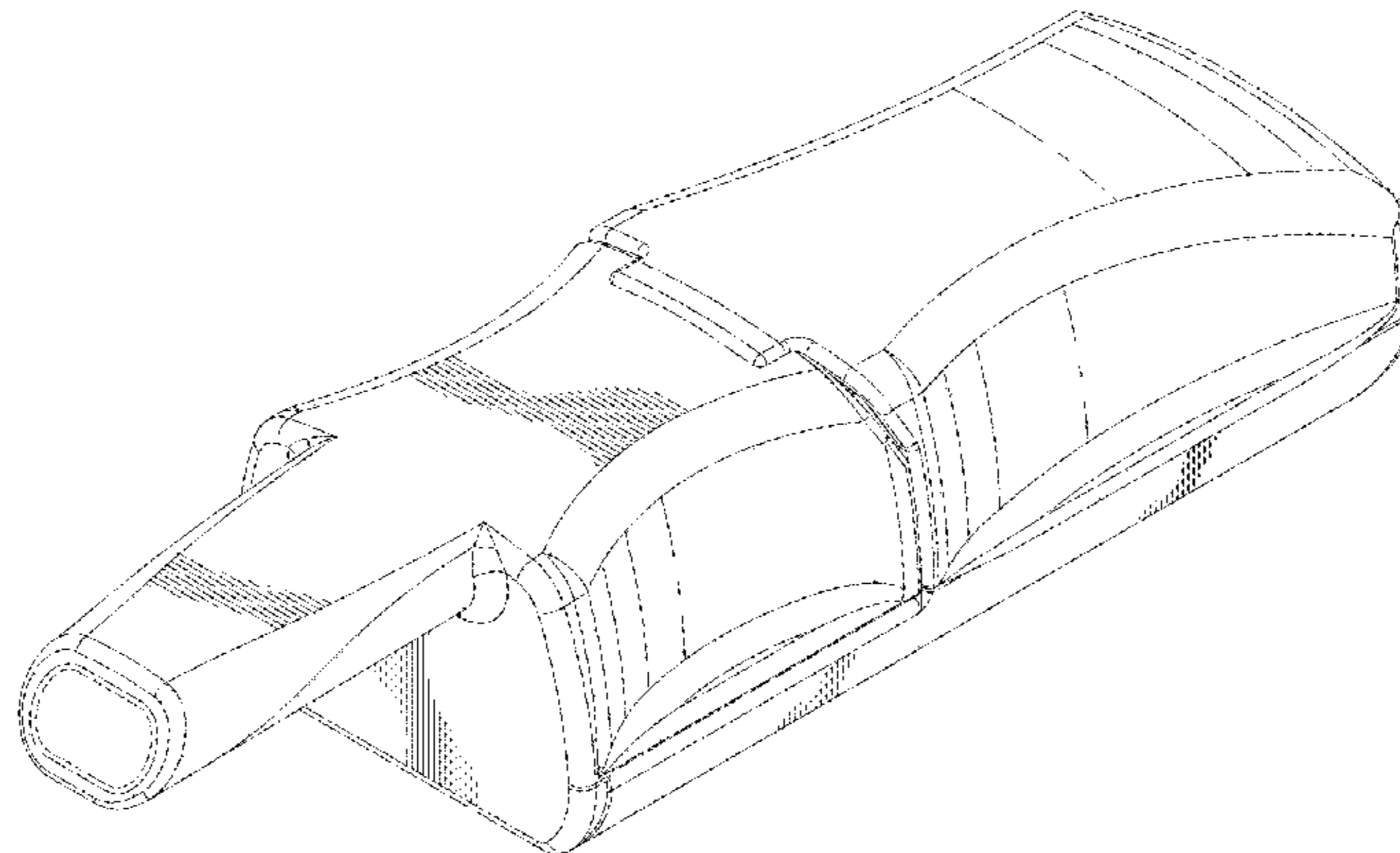
(57) **CLAIM**

The ornamental design for an inhaler, as shown and described.

DESCRIPTION

FIG. 1 is a front perspective view of an inhaler of our design. FIG. 2 is a rear perspective view of the inhaler of FIG. 1. FIG. 3 is a right side view of the inhaler of FIG. 1. FIG. 4 is a left side view of the inhaler of FIG. 1. FIG. 5 is a front view of the inhaler of FIG. 1. FIG. 6 is a rear view of the inhaler of FIG. 1. FIG. 7 is a top view of the inhaler of FIG. 1; and, FIG. 8 is a bottom view of the inhaler of FIG. 1. Broken lines shown in the figures are included for the purpose of illustrating portions of the inhaler and form no part of the claimed design.

1 Claim, 6 Drawing Sheets



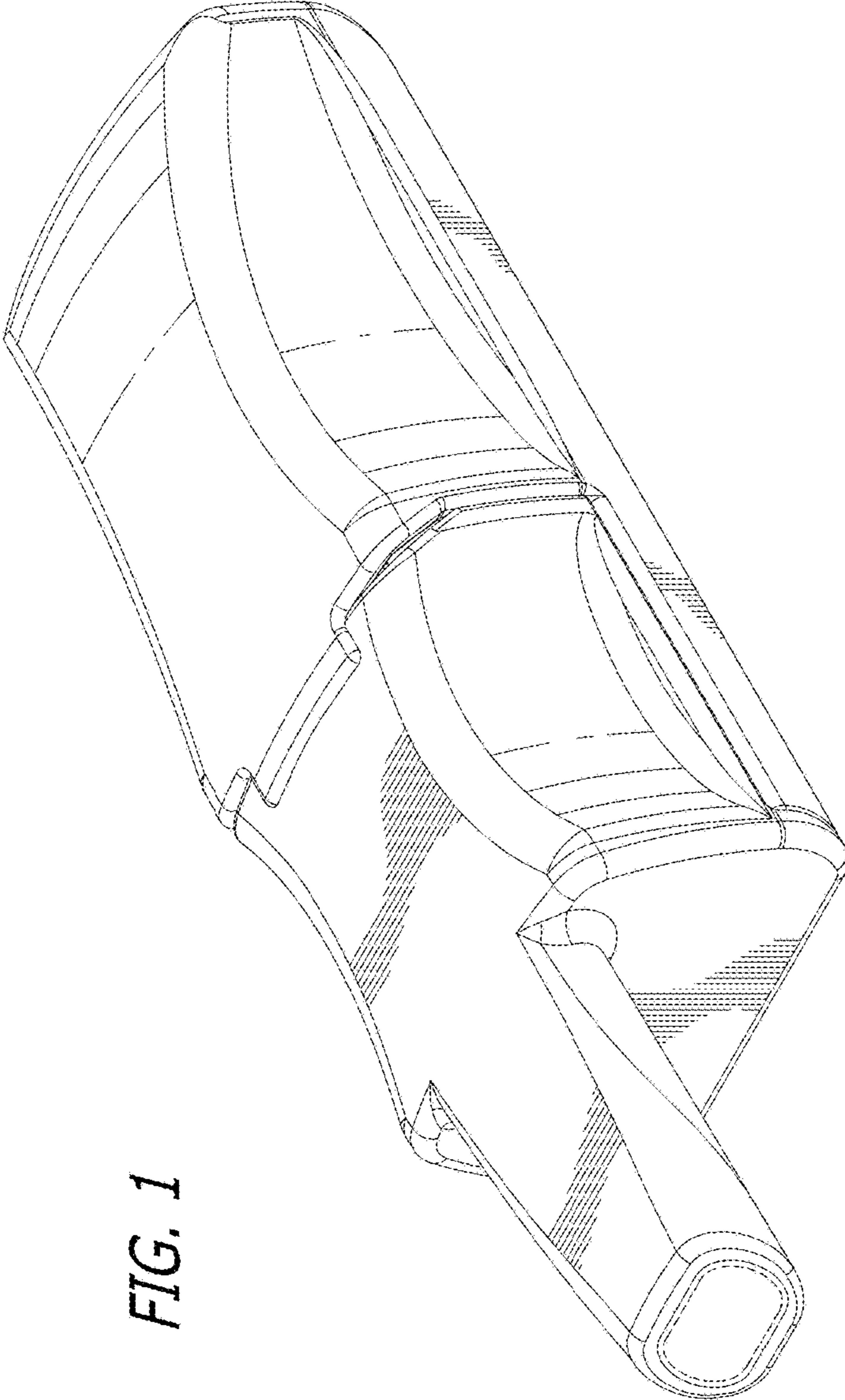


FIG. 1

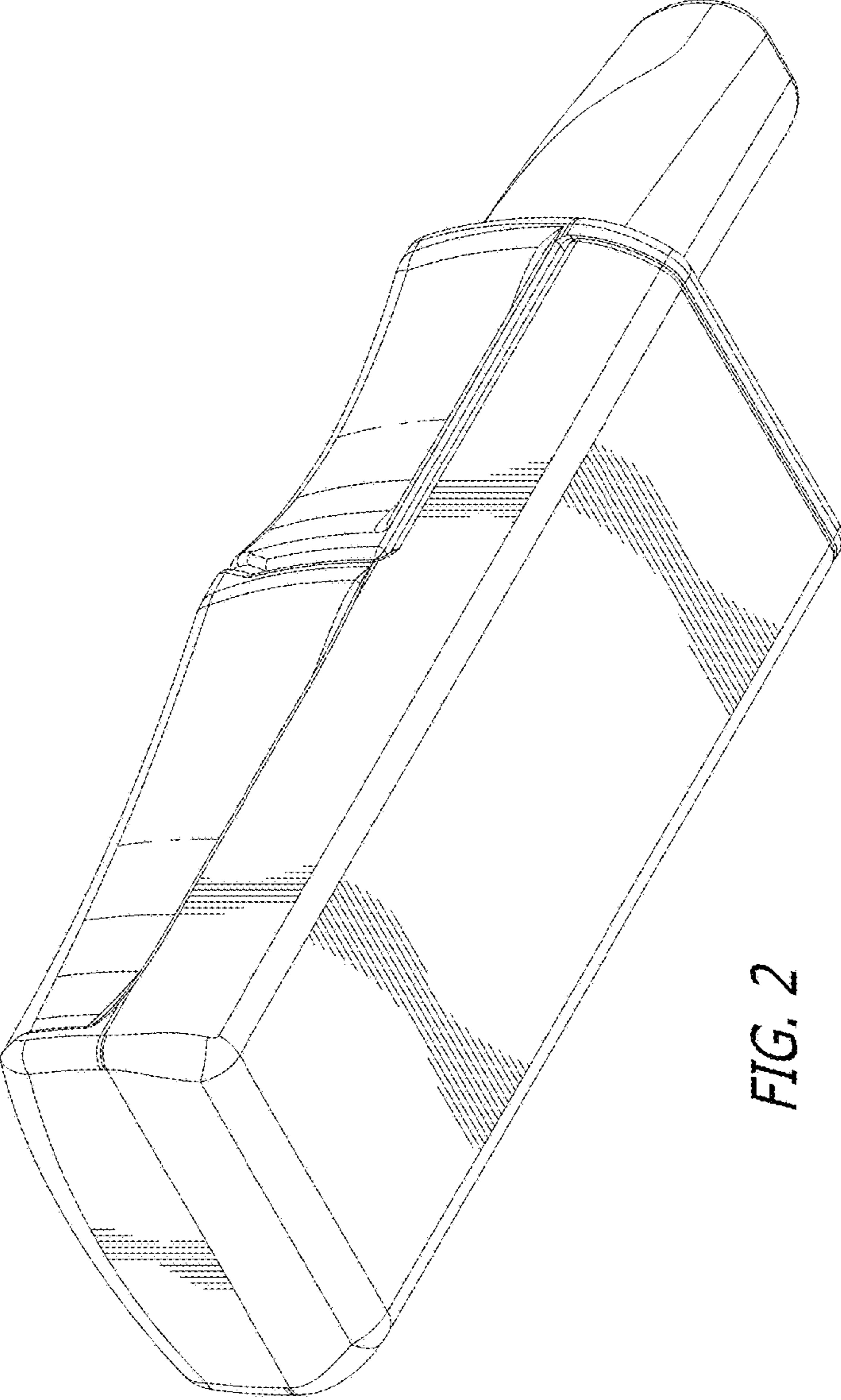


FIG. 2

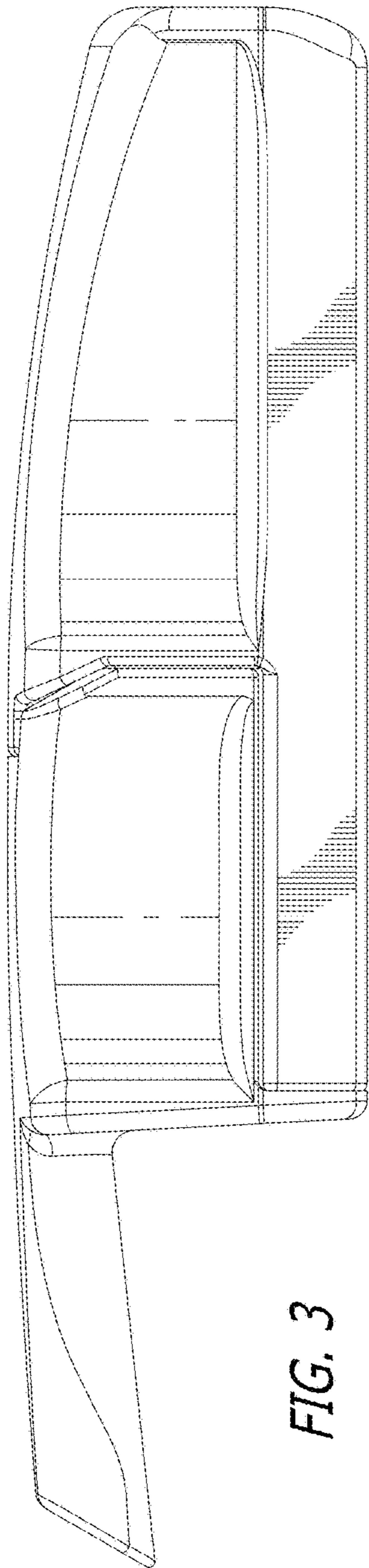


FIG. 3

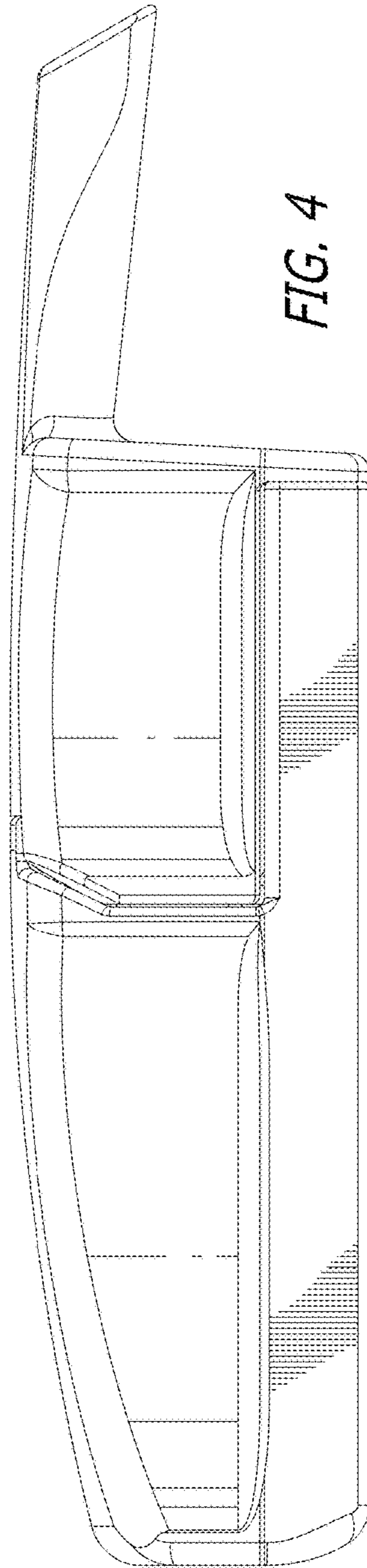


FIG. 4

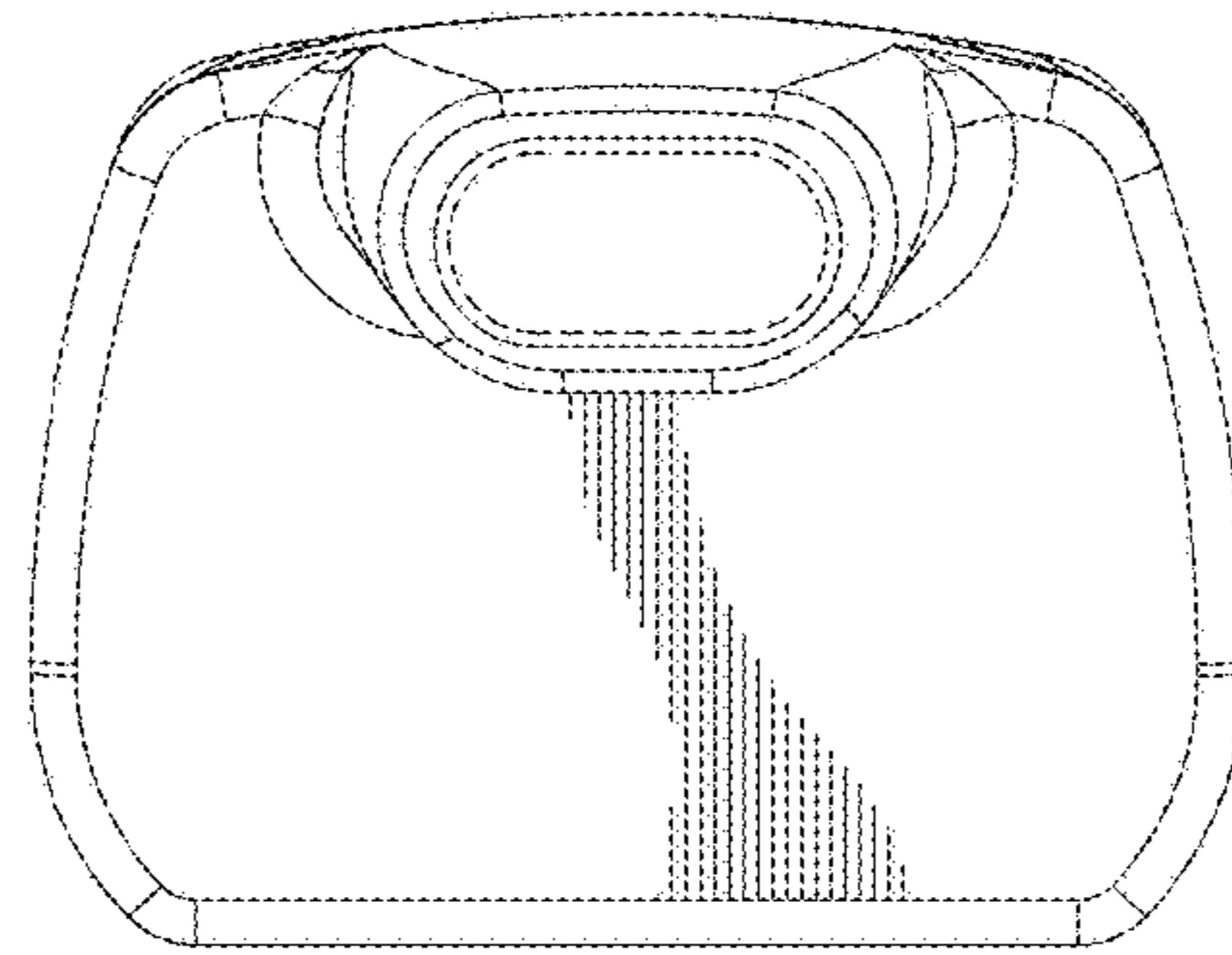


FIG. 5

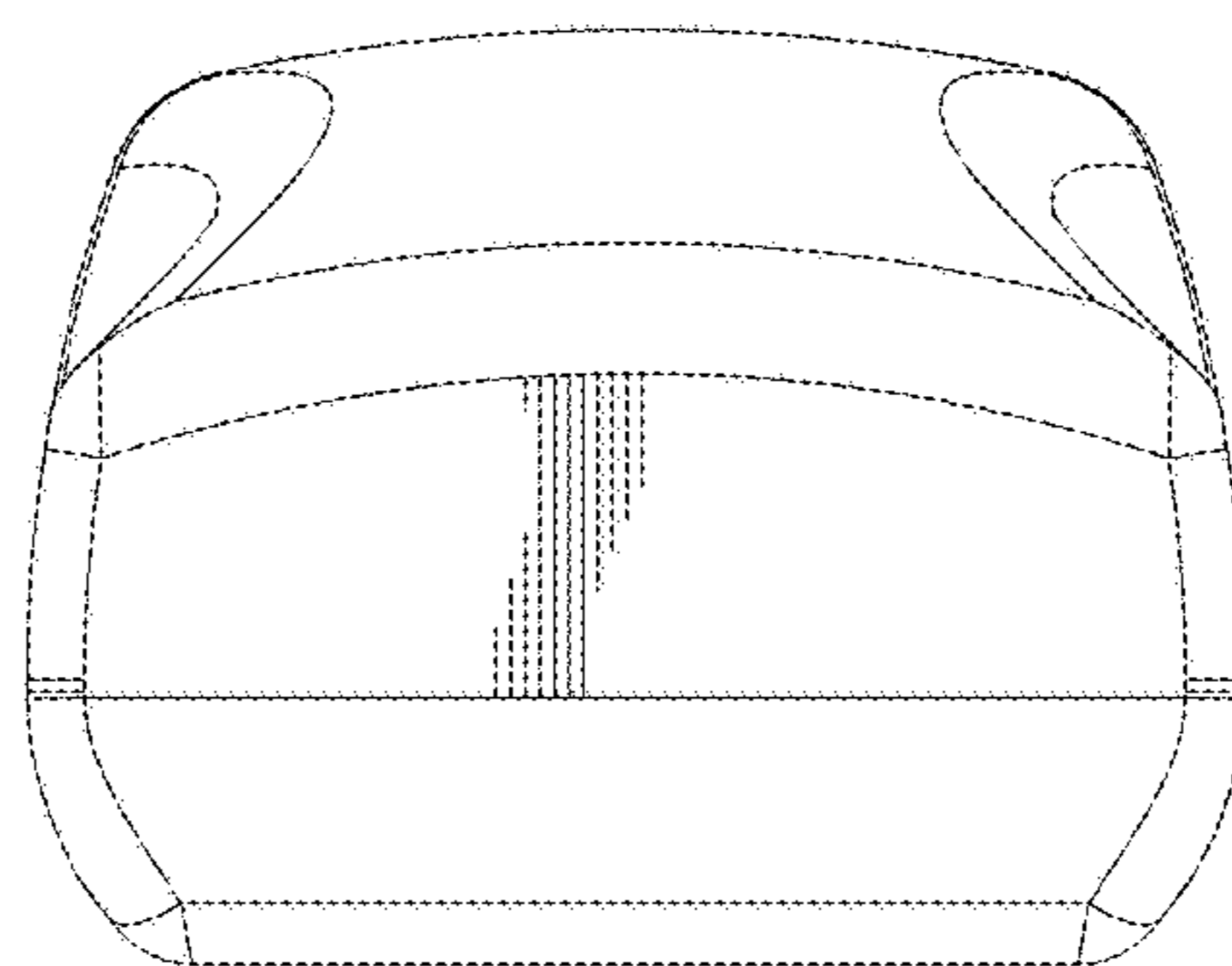


FIG. 6

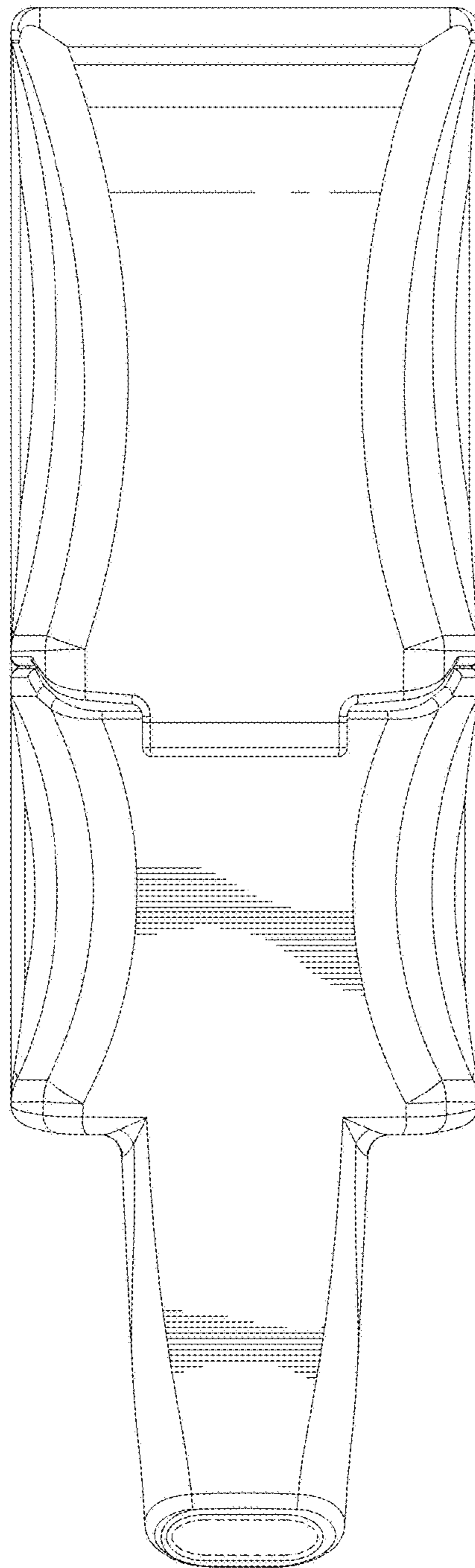


FIG. 7

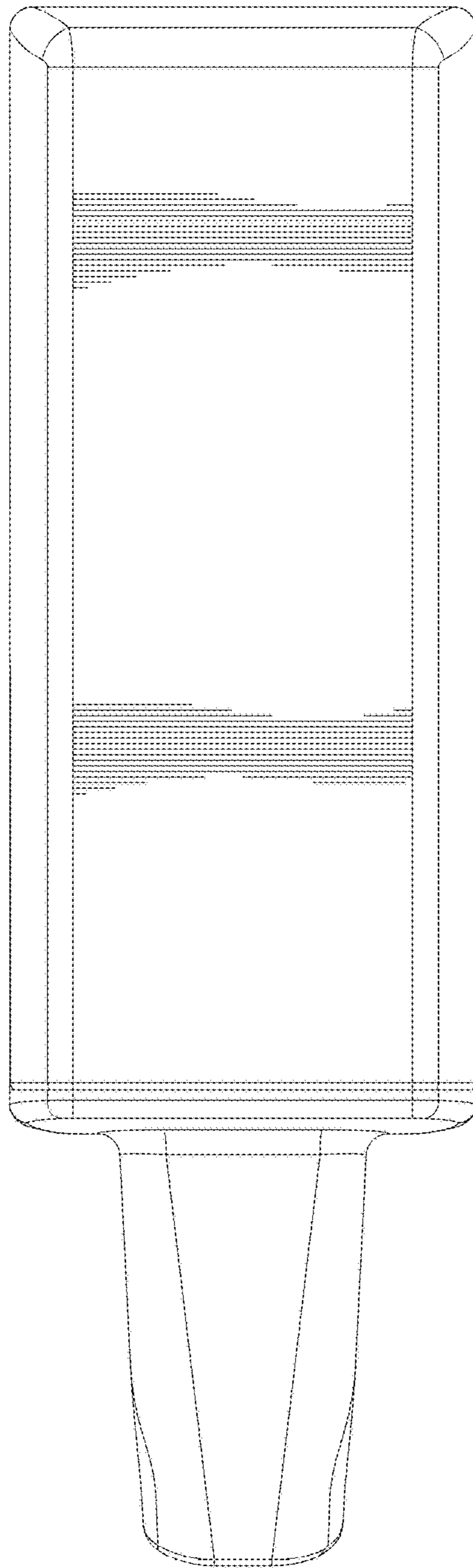


FIG. 8