



US00D851747S

(12) **United States Design Patent** (10) **Patent No.:** **US D851,747 S**
Hu (45) **Date of Patent:** **** Jun. 18, 2019**

(54) **SNORKEL**

(71) Applicant: **Guoren Hu**, Guang Dong (CN)

(72) Inventor: **Guoren Hu**, Guang Dong (CN)

(**) Term: **15 Years**

(21) Appl. No.: **29/601,746**

(22) Filed: **Apr. 26, 2017**

(51) **LOC (11) Cl.** **29-02**

(52) **U.S. Cl.**
USPC **D24/110; D24/110.2**

(58) **Field of Classification Search**
USPC D24/110–110.6, 127, 129; D29/110
CPC A61M 16/0616; A61M 16/0633; A61M
16/06; A61M 16/0666; A61M 16/0683;
A61M 16/0605; A61M 16/0622; A61M
16/0644; A61M 16/0875; A61M 16/0816;
A61M 16/08; B63C 11/205; B63C 11/16;
B63C 11/186; B63C 11/12

See application file for complete search history.

(56) **References Cited**

U.S. PATENT DOCUMENTS

D775,722 S *	1/2017	Caprice	D24/110.2
2016/0127716 A1 *	5/2016	Ramiro	13/44
2016/0297505 A1 *	10/2016	Caprice	B63C 11/16
2017/0096204 A1 *	4/2017	Cucchia	B63C 11/12
2017/0334531 A1 *	11/2017	Shiue	A62B 9/02

OTHER PUBLICATIONS

Top 8 Best Full Face Snorkel Masks 2017, posted at vbestseller. conn, earliest date reviewed on May 20, 2017, [online], acquired on Apr. 10, 2018. Available from Internet, <URL: https://vbestseller. com/best-full-face-snorkel-mask-reviews/> (Year: 2017).*

* cited by examiner

Primary Examiner — Lilyana Bekic
Assistant Examiner — Aula Soroush

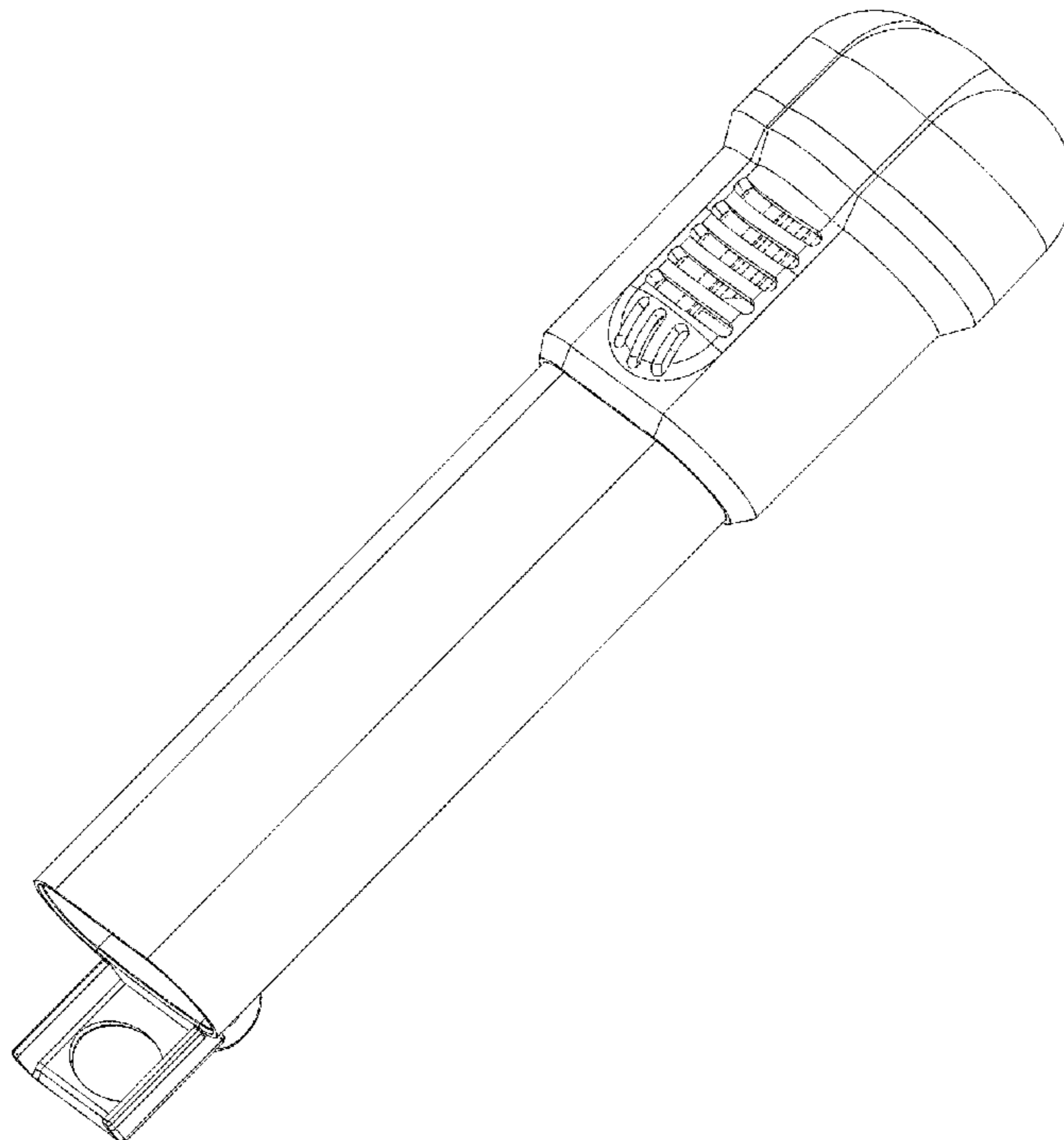
(57) **CLAIM**

The ornamental design for a snorkel, as shown and described.

DESCRIPTION

FIG. 1 is a front elevational view of a snorkel showing my new design;
FIG. 2 is a rear elevational view thereof;
FIG. 3 is a left side view thereof;
FIG. 4 is a right side view thereof;
FIG. 5 is a top plan view thereof;
FIG. 6 is a bottom plan view thereof;
FIG. 7 is a front perspective view thereof; and,
FIG. 8 is a rear perspective view thereof.
Portions of the snorkel shown in broken lines form no part of the claimed design.

1 Claim, 5 Drawing Sheets



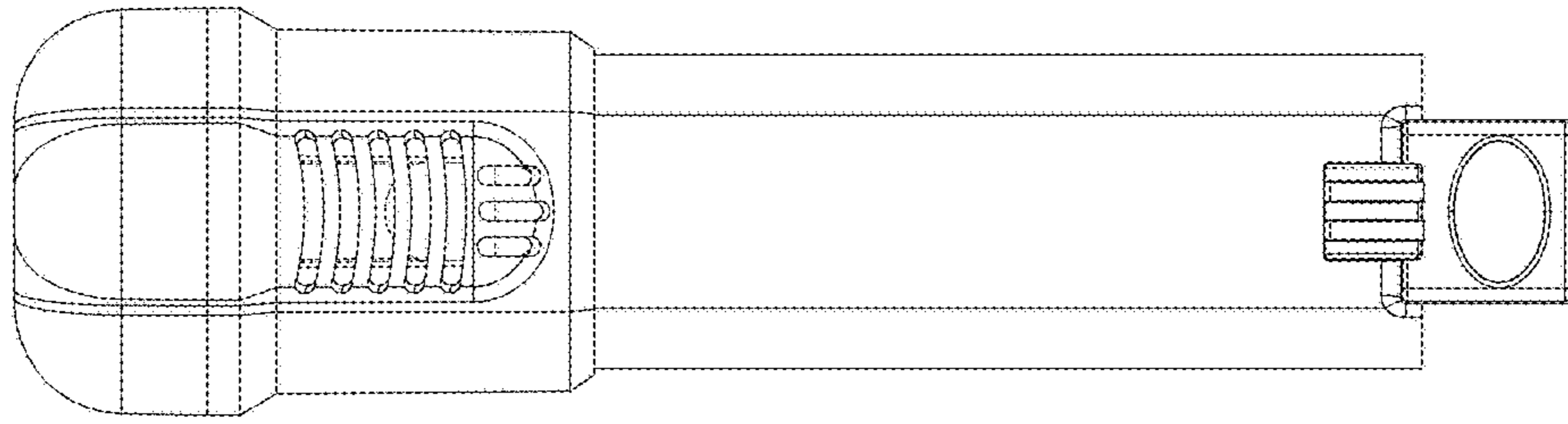


FIG. 1

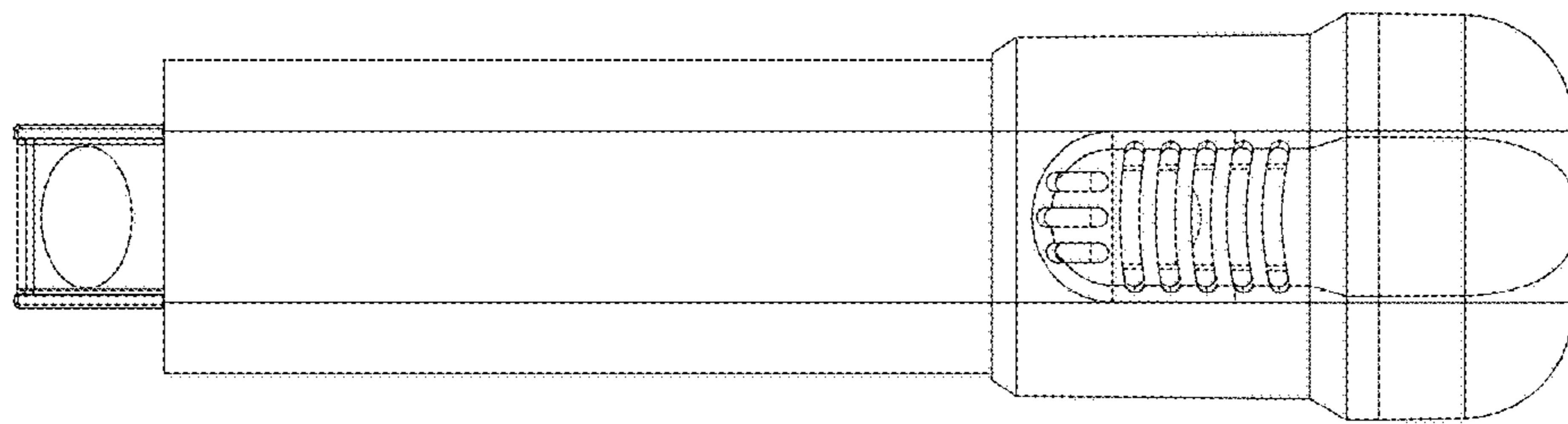


FIG. 2

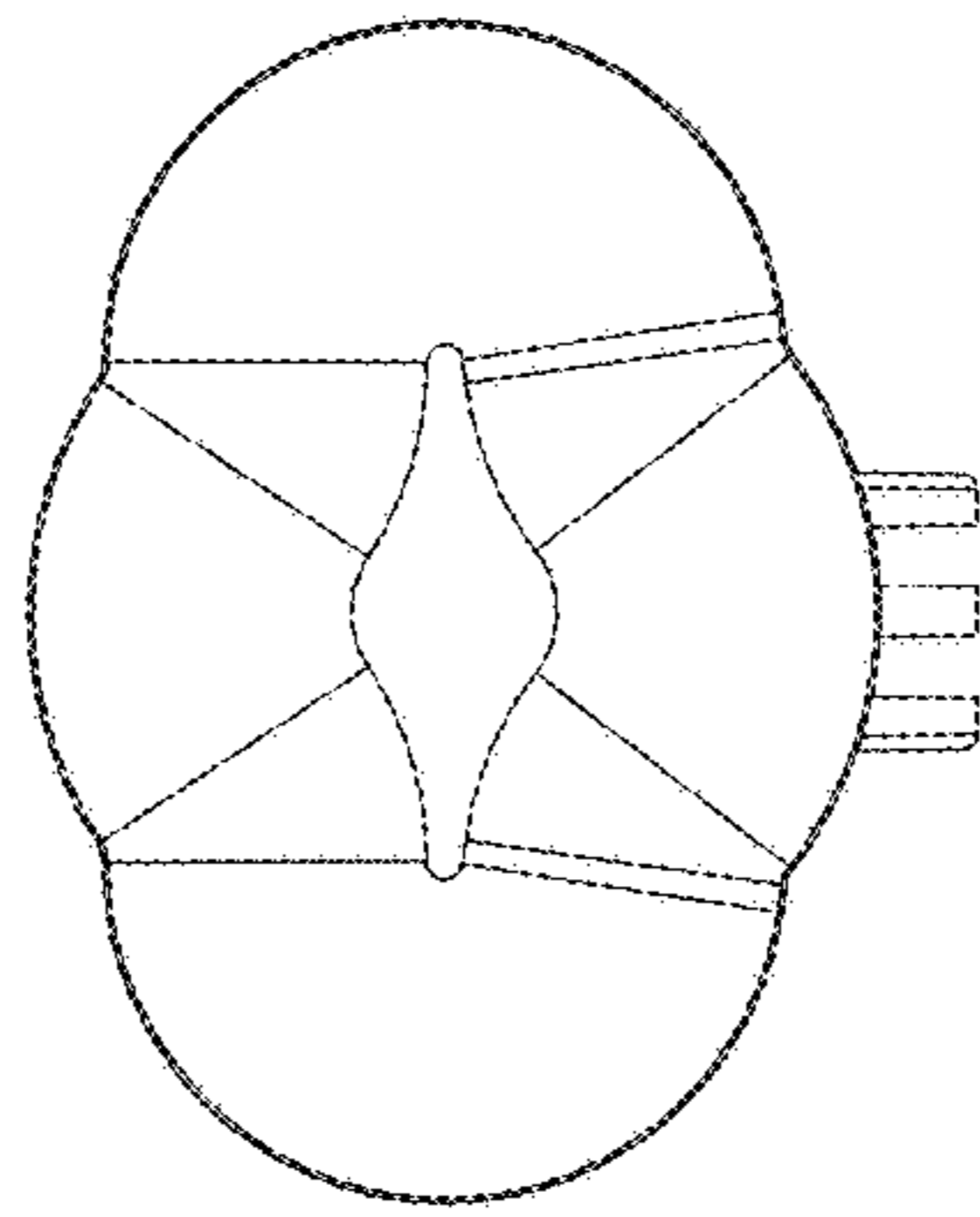


FIG. 3

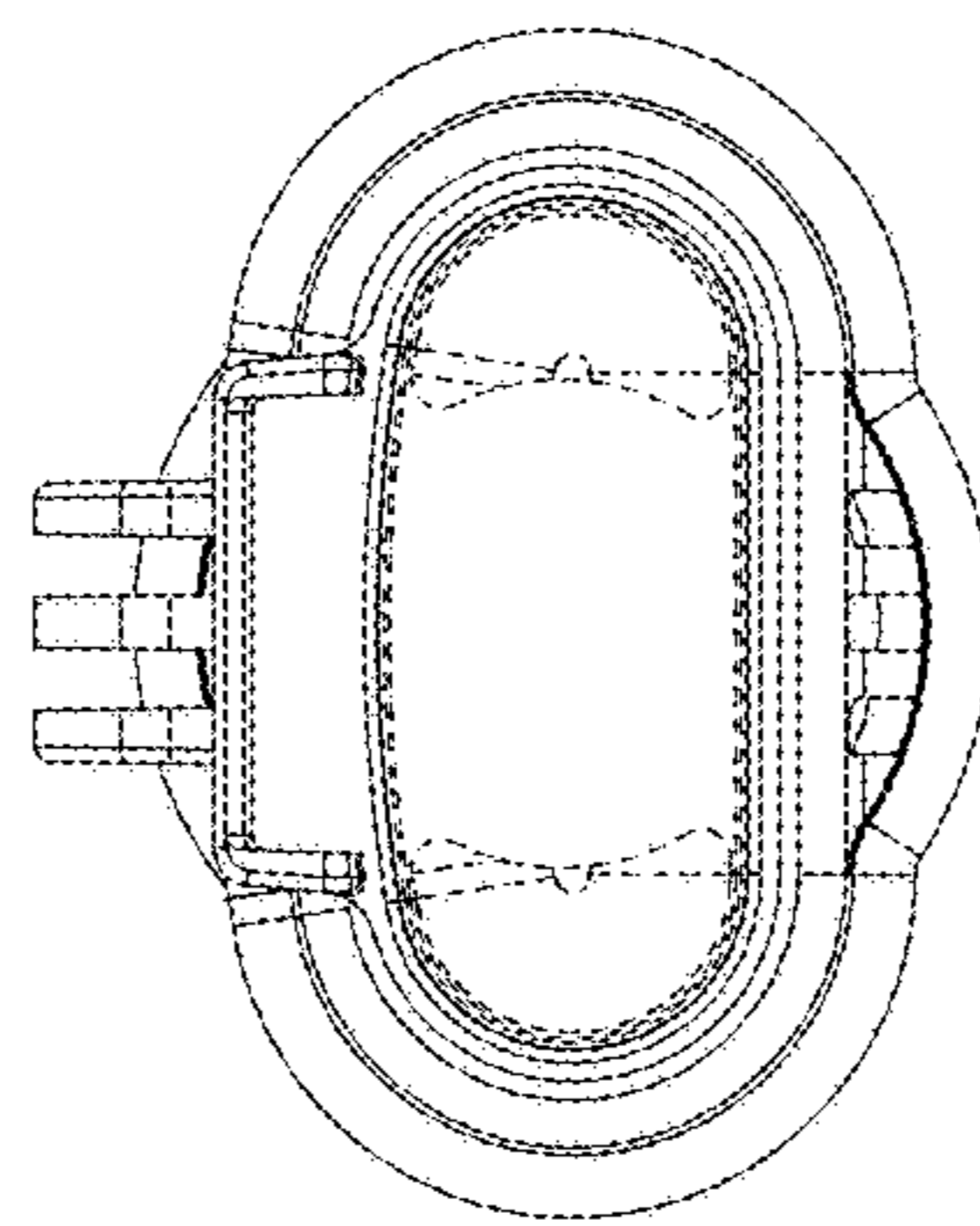


FIG. 4

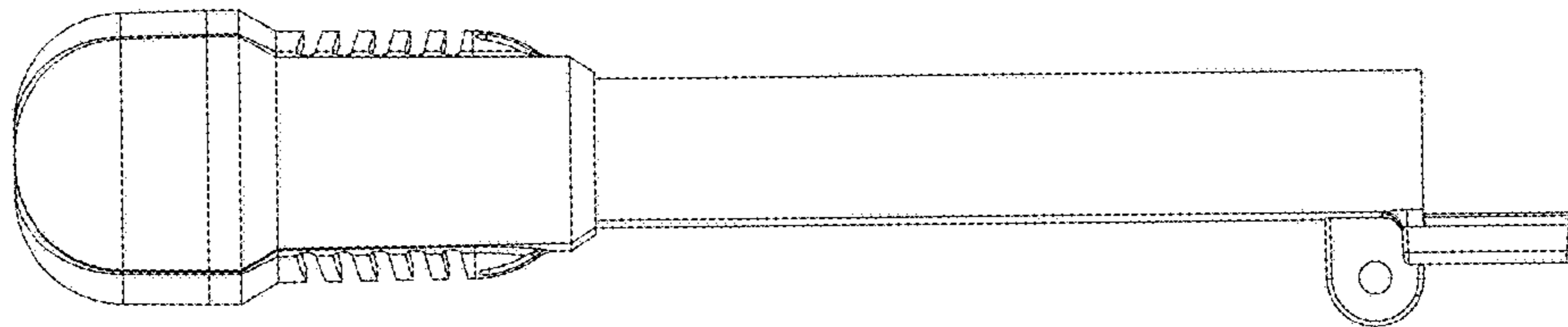


FIG. 5

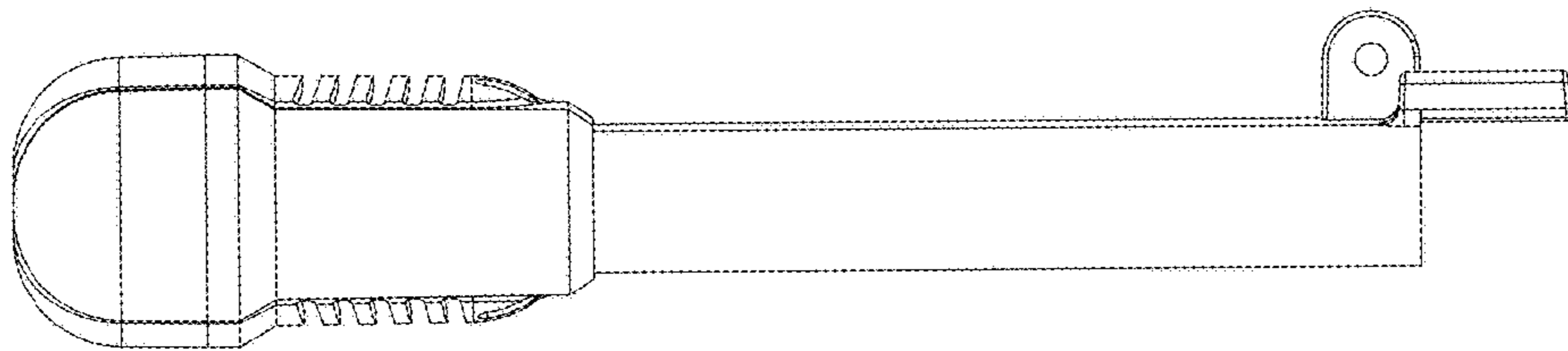


FIG. 6

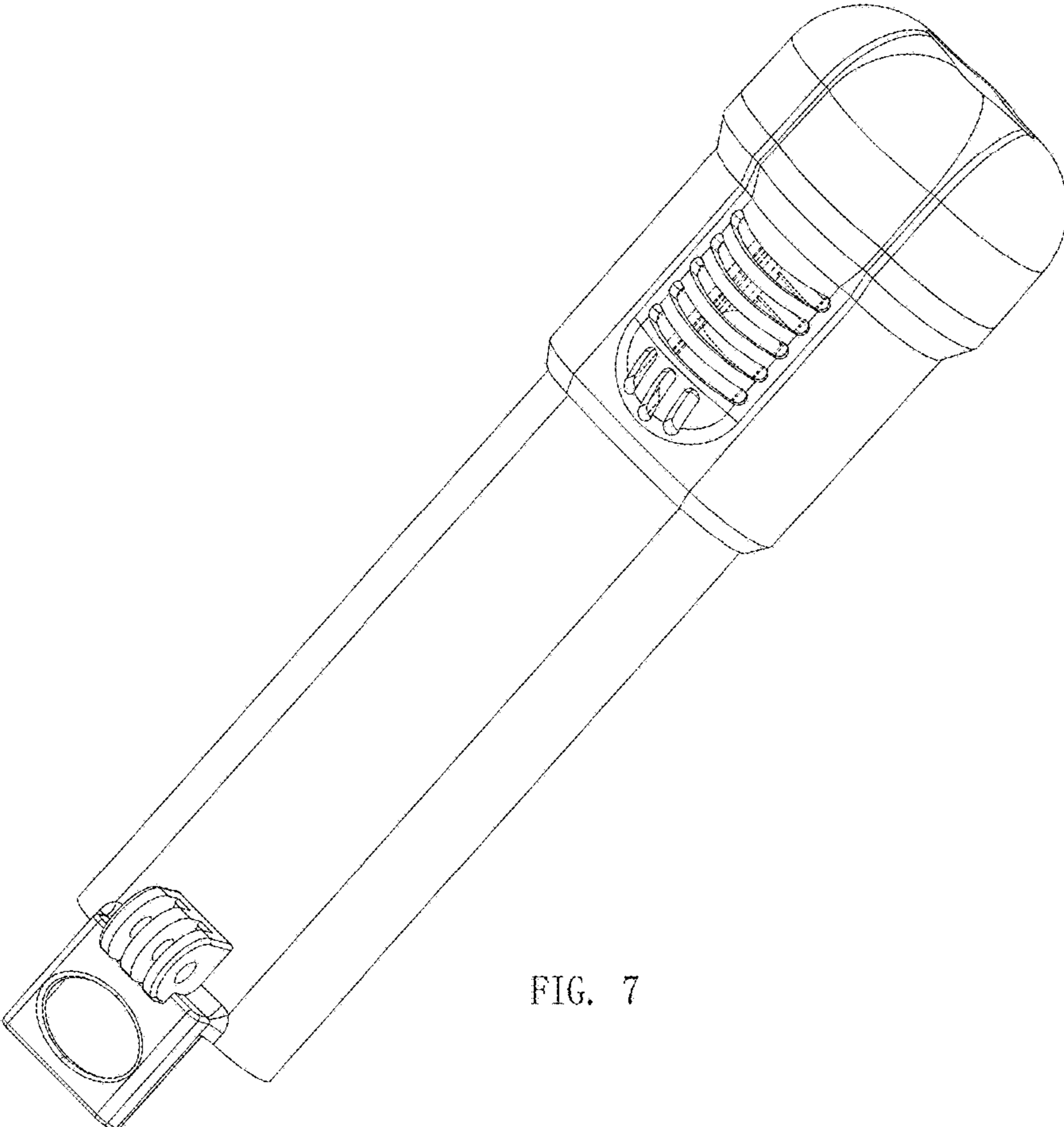


FIG. 7

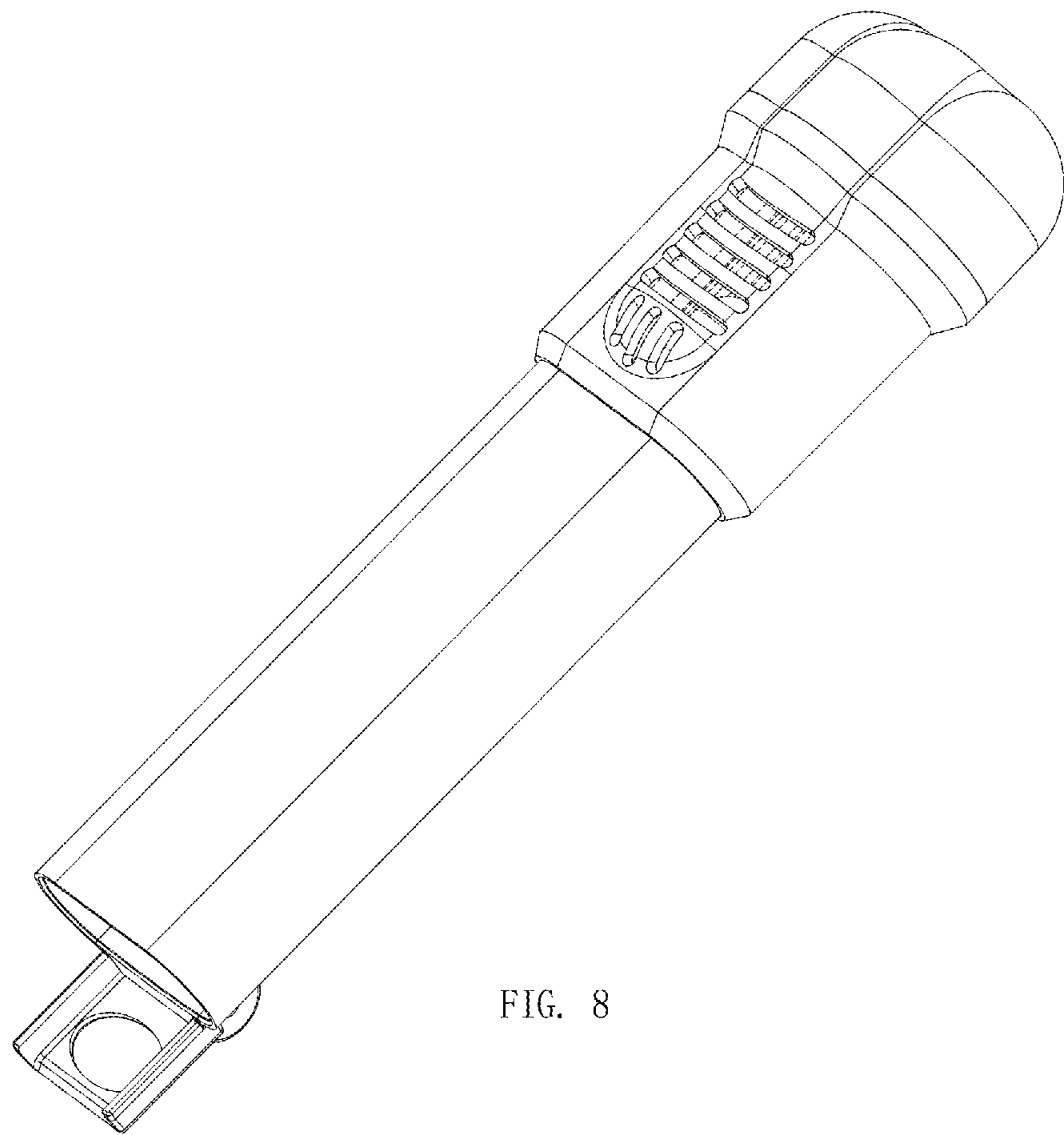


FIG. 8