



US00D851746S

(12) **United States Design Patent**
Hillenmayer

(10) **Patent No.:** **US D851,746 S**
(45) **Date of Patent:** **** Jun. 18, 2019**

- (54) **SPACER CHAMBER FOR AN INHALER**
- (71) Applicant: **PARI GmbH**, Starnberg (DE)
- (72) Inventor: **Stefan Hillenmayer**, München (DE)
- (73) Assignee: **PARI GMBH SPEZIALISTEN FÜR EFFEKTIVE INHALATION**, Starnberg (DE)
- (**) Term: **15 Years**
- (21) Appl. No.: **29/587,020**
- (22) Filed: **Dec. 8, 2016**
- (30) **Foreign Application Priority Data**

7,404,400	B2 *	7/2008	Lulla	A61M 15/0086	128/200.14
D597,656	S *	8/2009	Bird	D24/110	
8,528,543	B2 *	9/2013	Barney	A61D 7/04	128/200.14
D692,122	S *	10/2013	von Hollen	D24/110	
D735,316	S *	7/2015	Steelman	D24/110	
D757,246	S *	5/2016	Steelman	D24/110	
D777,315	S *	1/2017	Christman	A61B 5/097	D24/110
D791,936	S *	7/2017	Davis	D24/127	
2003/0205226	A1 *	11/2003	Gallem	A61M 15/0086	128/200.14
2004/0050869	A1 *	3/2004	Jennings	A61M 15/009	222/183
2004/0094148	A1 *	5/2004	Lulla	A61M 15/0086	128/200.23
2008/0035142	A1 *	2/2008	Lulla	A61M 15/0086	128/203.12

(Continued)

Jun. 8, 2016 (EP) 003180033-0002
 Jun. 8, 2016 (EP) 003180033-0003

- (51) **LOC (11) Cl.** **29-02**
- (52) **U.S. Cl.**
USPC **D24/110**

- (58) **Field of Classification Search**
USPC D24/107, 108, 110, 110.1-110.5, 127, D24/164; D29/108; 128/200.14, 200.23
CPC A61M 15/0085; A61M 15/0005; A61M 11/005; A61M 11/00; A61M 11/02; A61M 11/04; A61M 5/087; A61M 5/0871; A61M 5/091; A61M 5/097; A61M 15/00; A61M 15/0065; A61M 15/0091; A61M 15/0021; A61M 15/0026; A61M 15/008; A61M 15/007; A63B 23/18

See application file for complete search history.

(56) **References Cited**

U.S. PATENT DOCUMENTS

D295,321	S *	4/1988	Hallworth	D24/110	
D412,979	S *	8/1999	Weinstein	D24/110	
6,435,176	B1 *	8/2002	Berg	A61M 15/0086	128/200.14

Primary Examiner — Lilyana Bekic
Assistant Examiner — Aula Soroush
 (74) *Attorney, Agent, or Firm* — McGuireWoods LLP

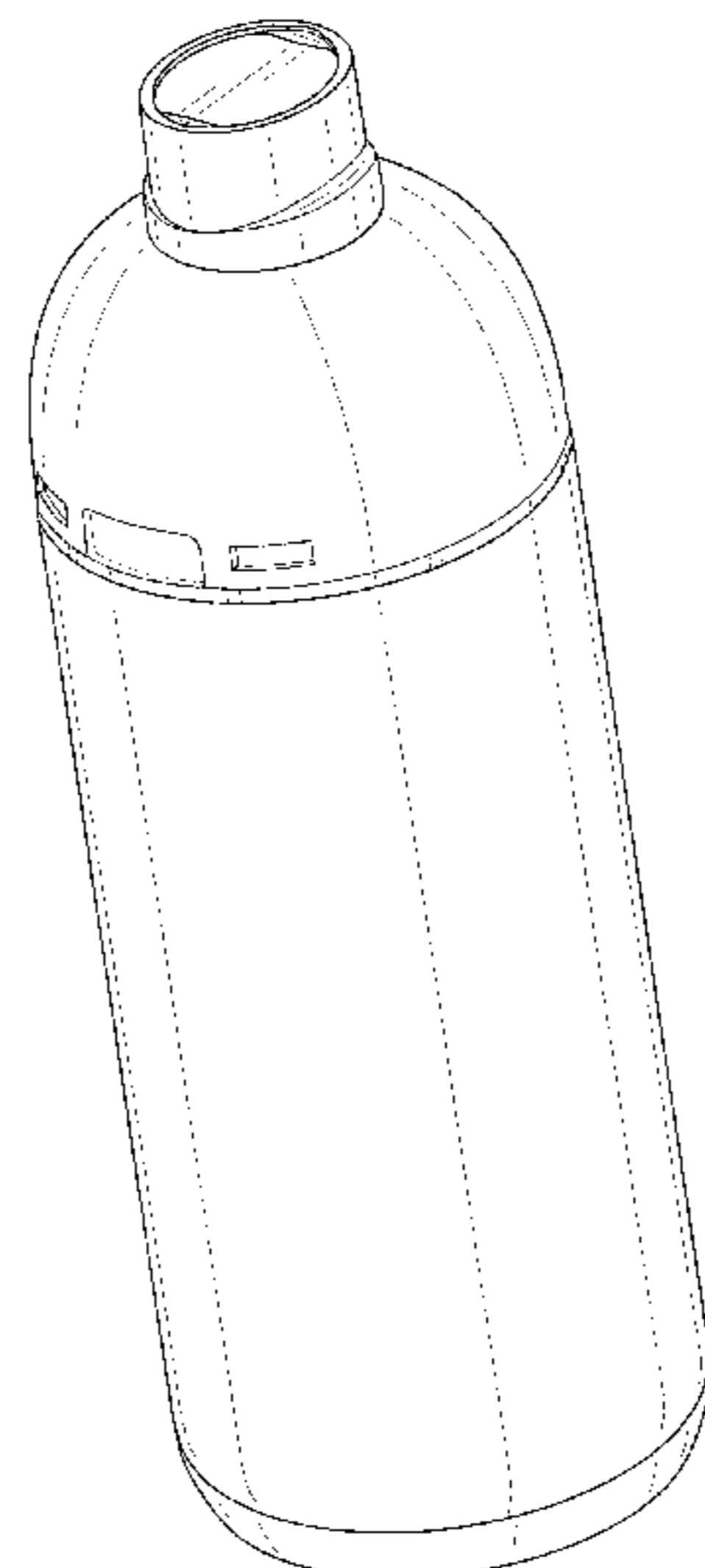
(57) **CLAIM**

I claim the ornamental design for a spacer chamber for an inhaler, as shown and described.

DESCRIPTION

FIG. 1 is a left perspective view of a spacer chamber for an inhaler showing my new design;
 FIG. 2 is a front elevation view thereof;
 FIG. 3 is a rear elevation view thereof;
 FIG. 4 is a left side elevation view thereof;
 FIG. 5 is a right side elevation view thereof;
 FIG. 6 is a top plan view thereof; and,
 FIG. 7 is a bottom plan view thereof.
 The subject matter shown in dashed lines, and any surface of the design not shown, including interior surfaces, form no part of the claimed design.

1 Claim, 7 Drawing Sheets



(56)

References Cited

U.S. PATENT DOCUMENTS

2008/0210225 A1* 9/2008 Geiger A61M 15/0086
128/200.14
2011/0288493 A1* 11/2011 Holmqvist A61M 5/24
604/241
2012/0247460 A1* 10/2012 Stenzler A61M 15/0086
128/203.12
2013/0291862 A1* 11/2013 Eagle A61M 15/0086
128/203.12

* cited by examiner

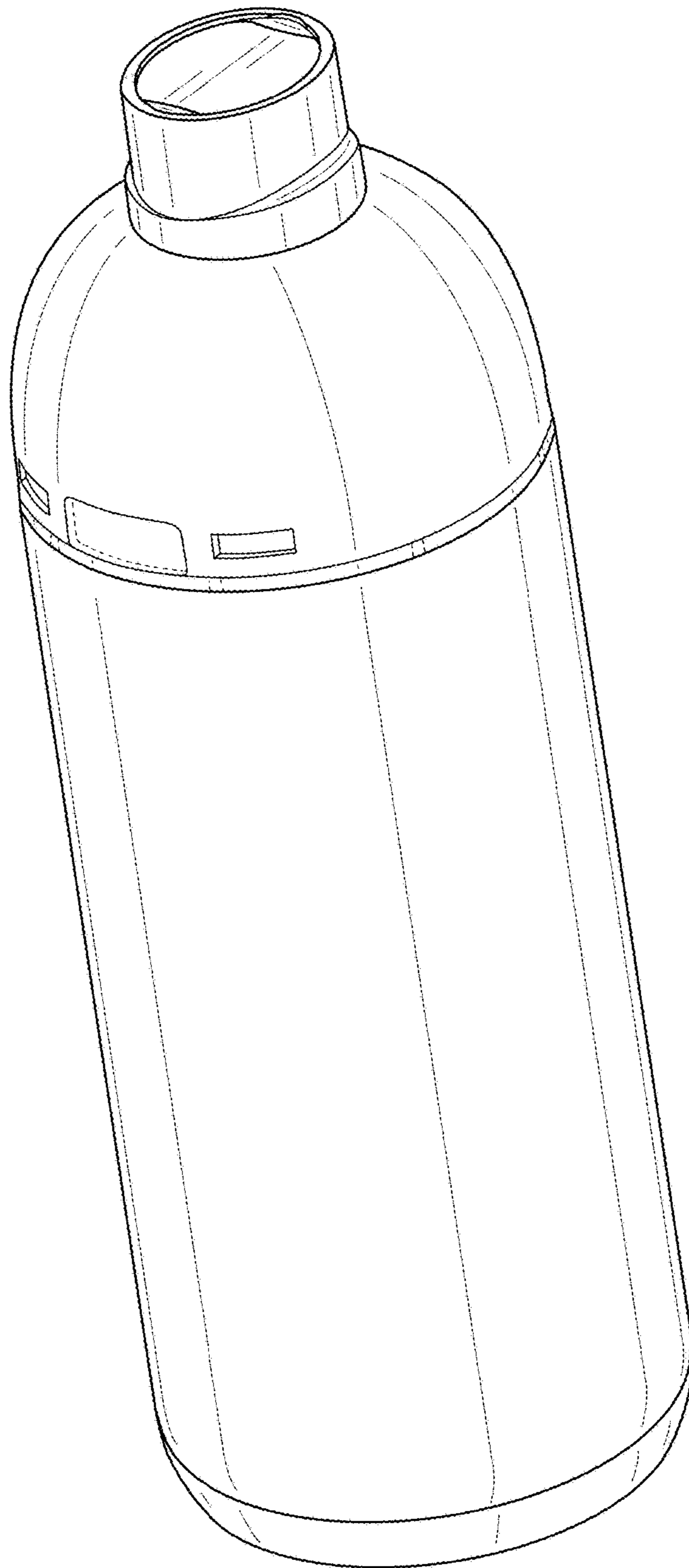


FIG. 1

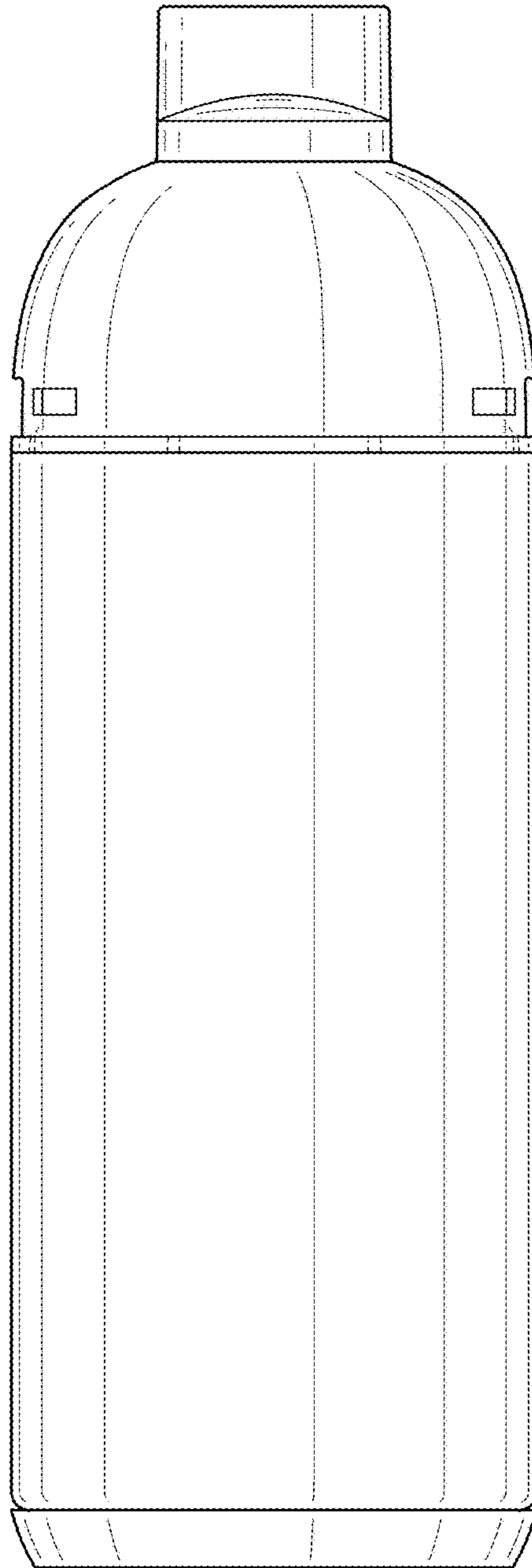


FIG. 2

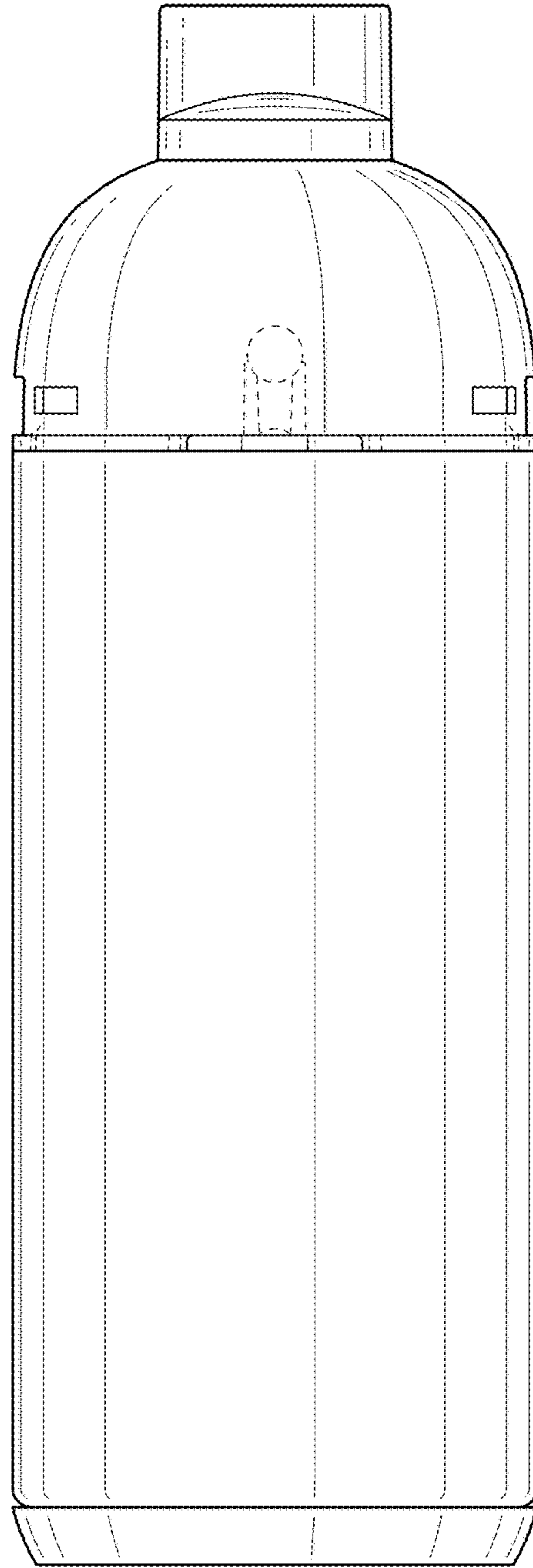


FIG. 3

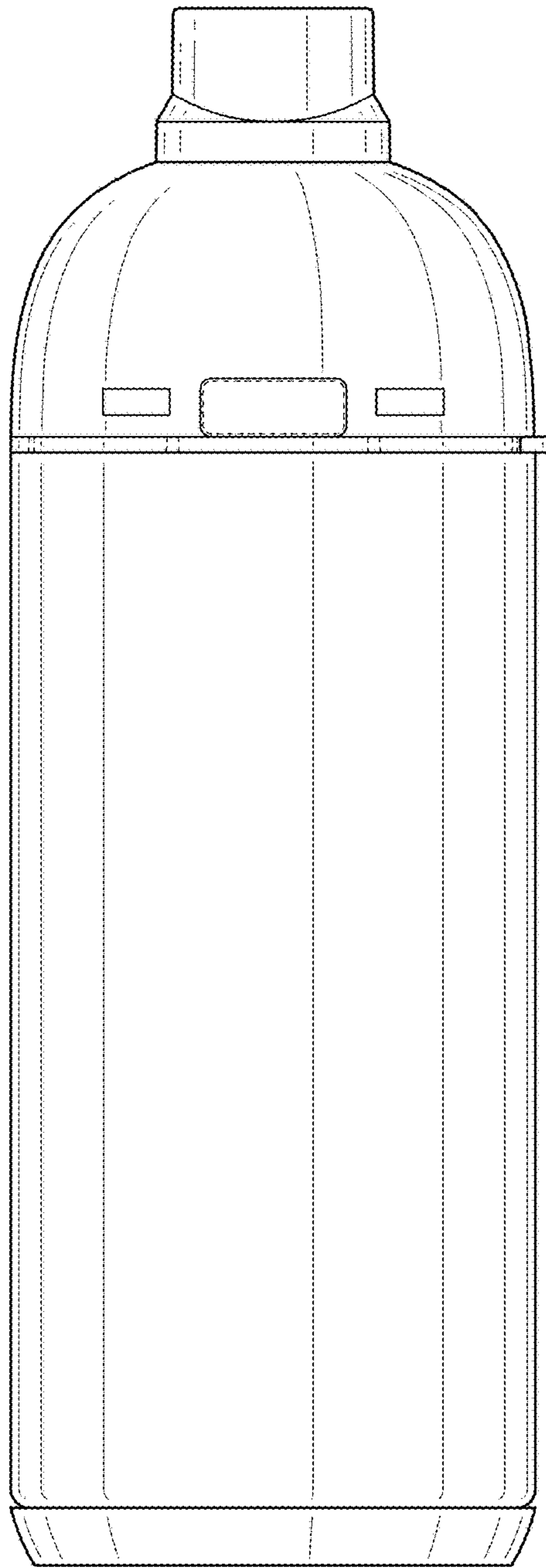


FIG. 4

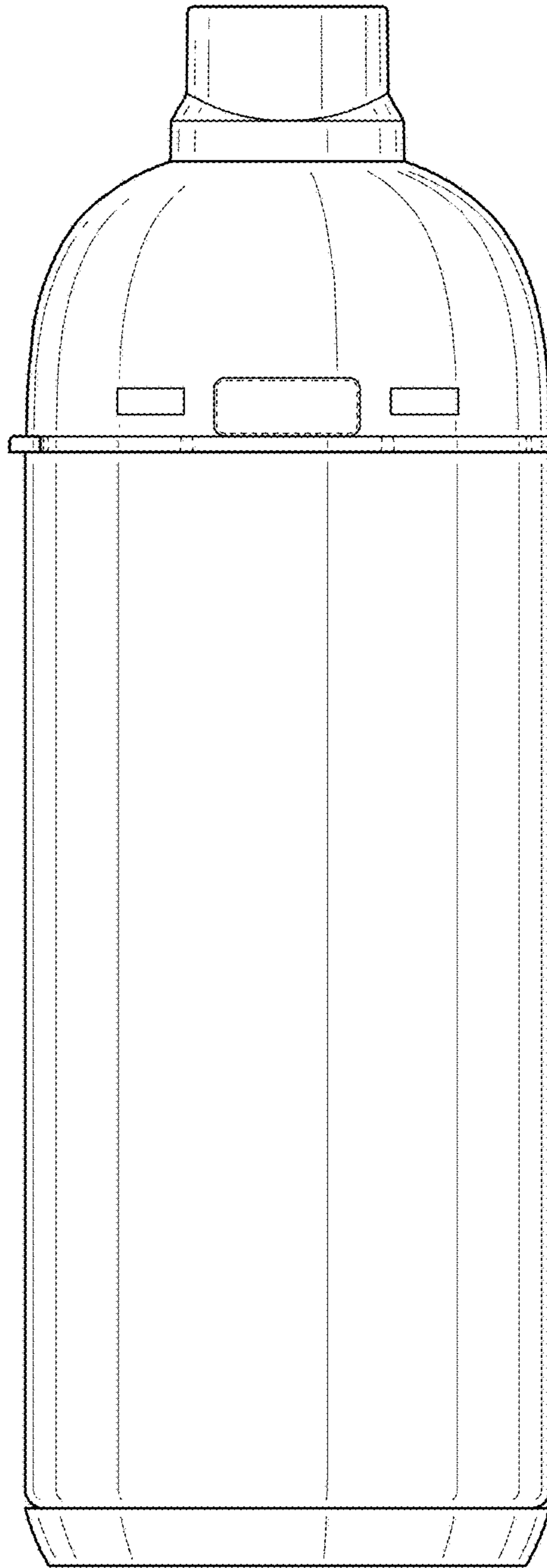


FIG. 5

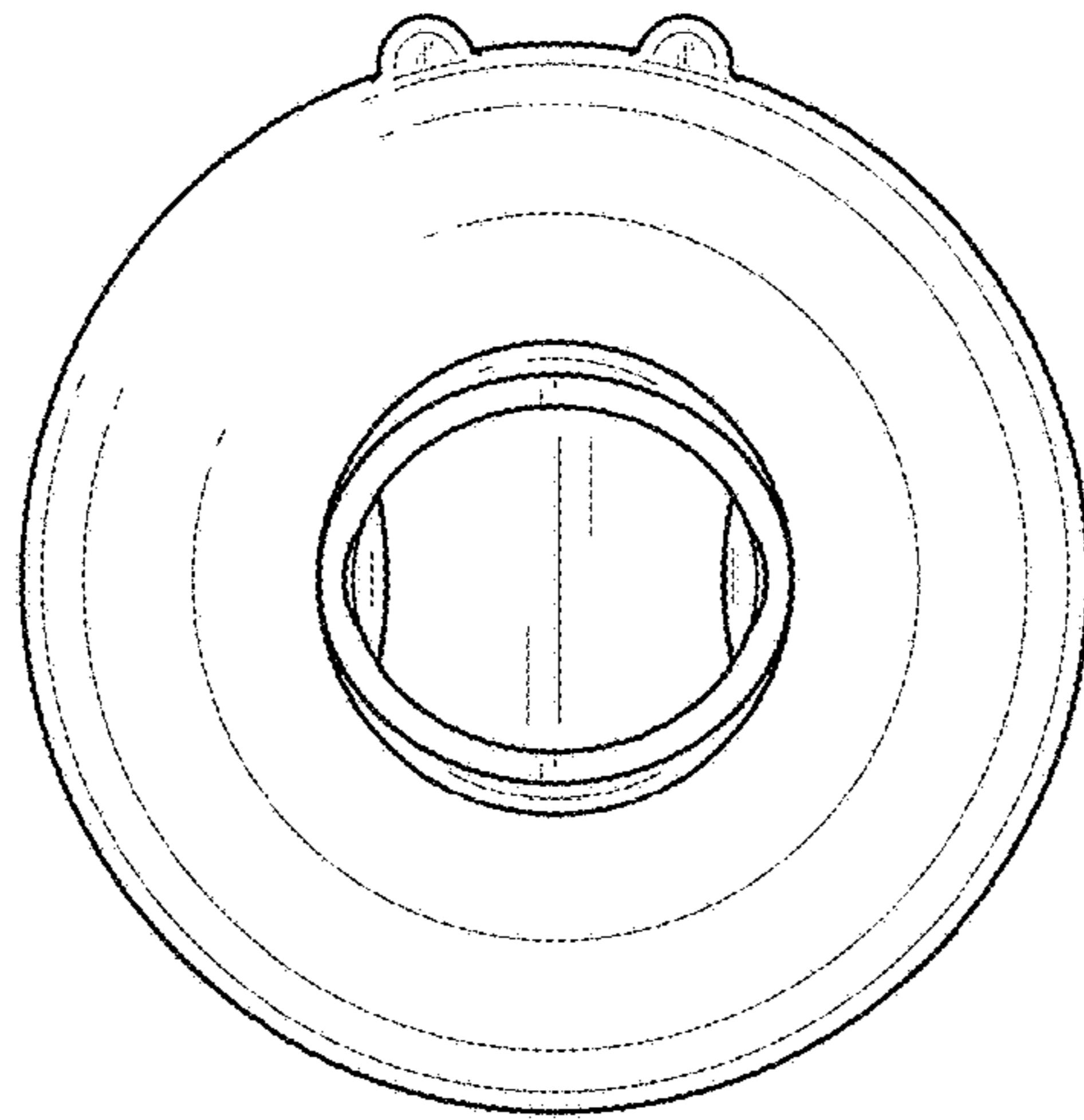


FIG. 6

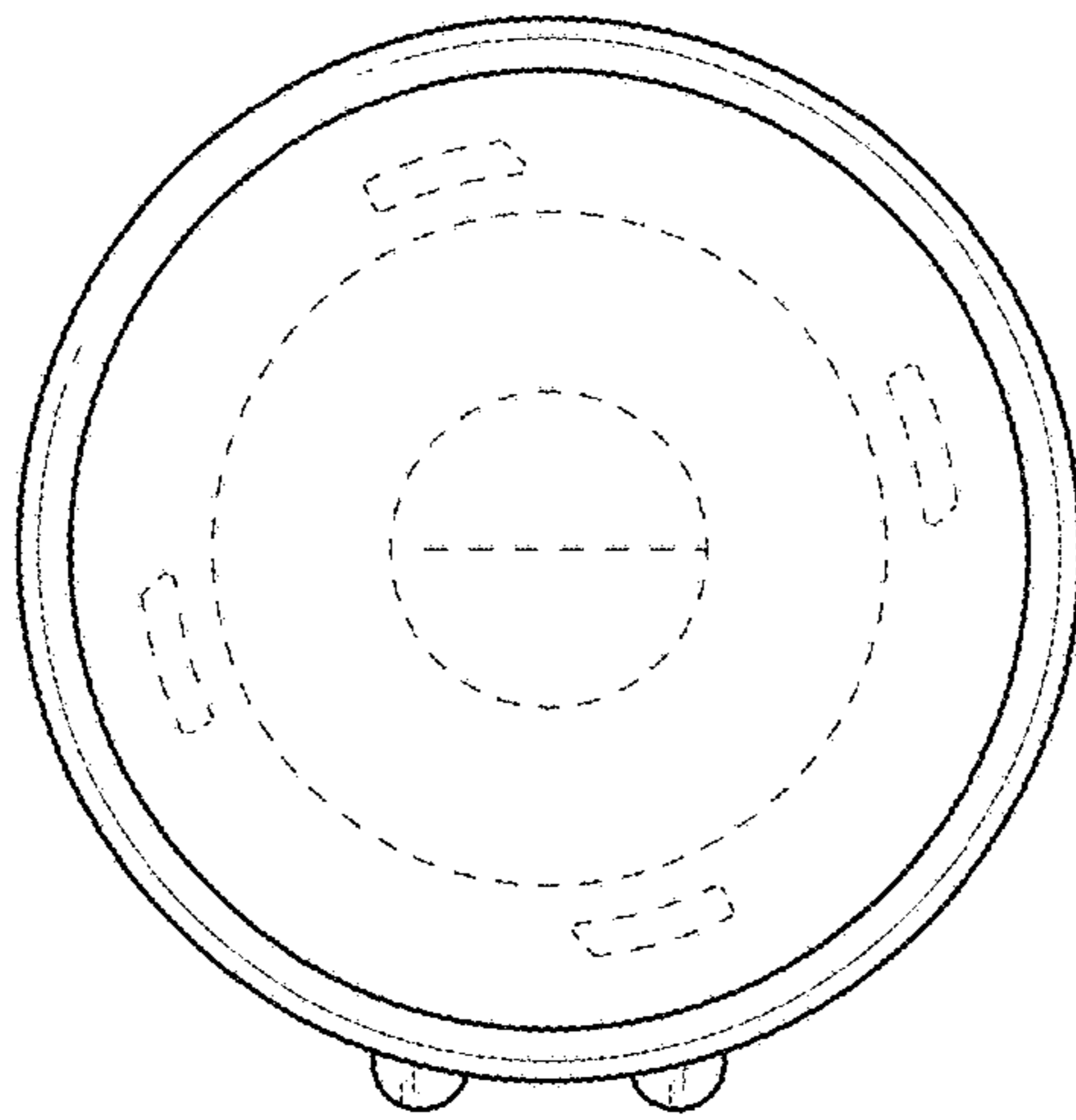


FIG. 7